



# ORTECH LINT TRAP-DS 6 Inch Lint Trap Instruction Manual

[Home](#) » [Ortech](#) » ORTECH LINT TRAP-DS 6 Inch Lint Trap Instruction Manual 

ORTECH LINT TRAP-DS 6 Inch Lint Trap  
Instruction Manual

Lint Trap (Dual Size)

**ORTECH**  
Instruction Manual

**MODEL LINT TRAP-DS 6"**



## Contents

- [1 WARNING](#)
- [2 CAUTION](#)
- [3 INSTALLATION GUIDE](#)
- [4 Documents / Resources](#)
- [5 Related Posts](#)

## WARNING

WARNING — THE INSTALLATION MUST BE CARRIED OUT BY A QUALIFIED TECHNICIAN.

1. A utility knife and a screw driver required for installation
2. Read the instruction manual before proceeding to installing the device

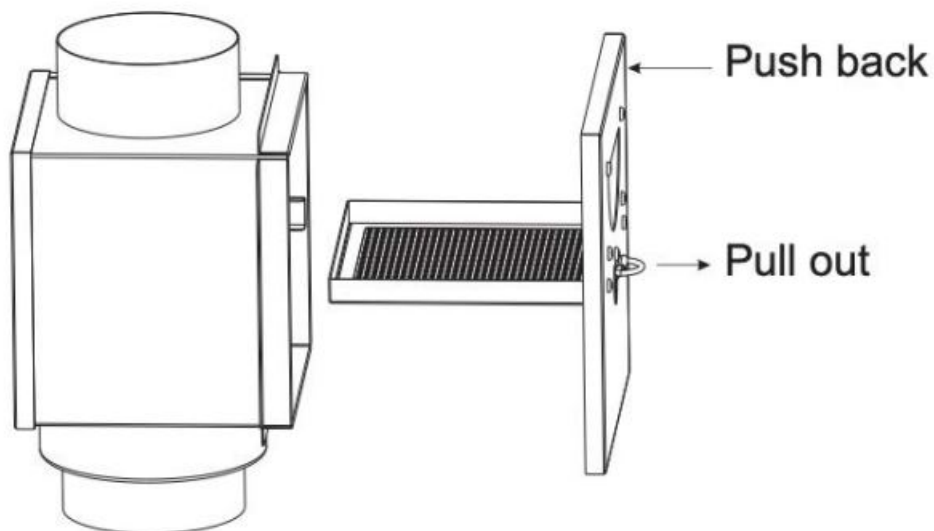
## CAUTION

**PLEASE READ INSTRUCTION BEFORE COMMENCING INSTALLATION AND RETAIN FOR FUTURE REFERENCES.**

**Electrical products can cause death or injury, or damage to property.**

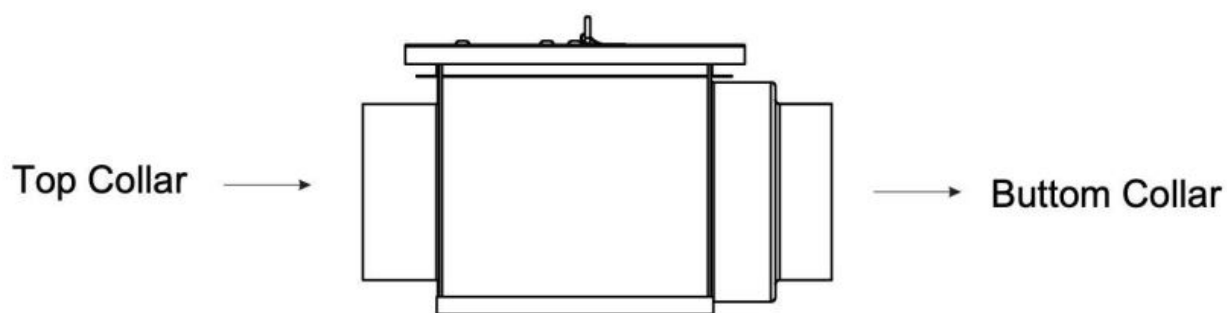
**If in any doubt about the installation or use of this product, consult a competent technician.**

## **INSTALLATION GUIDE**



1. Cut the duct which is tached to the dryer in proper position.
2. Slide the free end of the duct from outside over the top collar of the lint trap unit. Secure it with adjustable metal clamp.
3. Slide the other free end of the duct over the bottom collar of the lint trap unit. Secure it with other adjustable metal clamp, then the installation is complete.

## **Clear the Lint Trap**



1. Pull out the screen
2. Clear the lint on the mesh
3. Push the screen back to the housing

ORTECH reserves the right to modify at any time, without notice, any or all of our product's features, designs, components and specifications to meet market changes.

[info@ortechindustries.com](mailto:info@ortechindustries.com)  
[www.ortechindustries.com](http://www.ortechindustries.com)

13376 Comber Way Surrey BC V3W 5V9

375 Admiral Blvd Mississauga, ON L5T 2N1

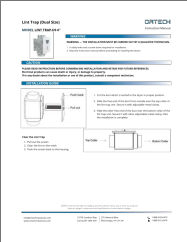


1-888-543-6473



1-888-541-6474

## Documents / Resources

	<p><a href="#">ORTECH LINT TRAP-DS 6 Inch Lint Trap</a> [pdf] Instruction Manual LINT TRAP-DS 6, Inch Lint Trap, LINT TRAP-DS 6 Inch Lint Trap, Lint Trap, Trap</p>
---	---

[Manuals+](#)