



nordtronic Uni Install G2 Dimmer Excl Light User Guide

[Home](#) » [Nordtronic](#) » nordtronic Uni Install G2 Dimmer Excl Light User Guide 

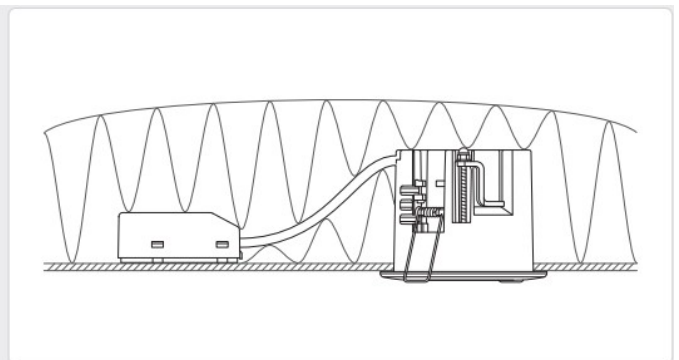
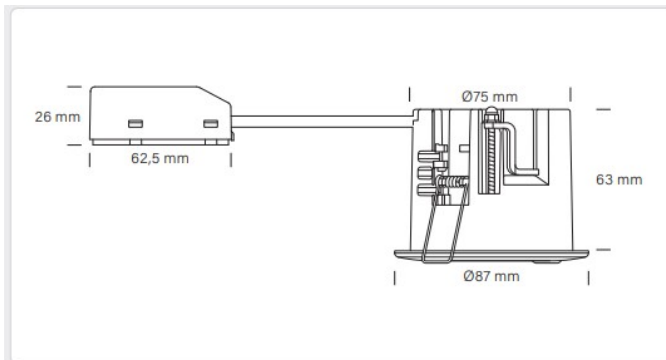


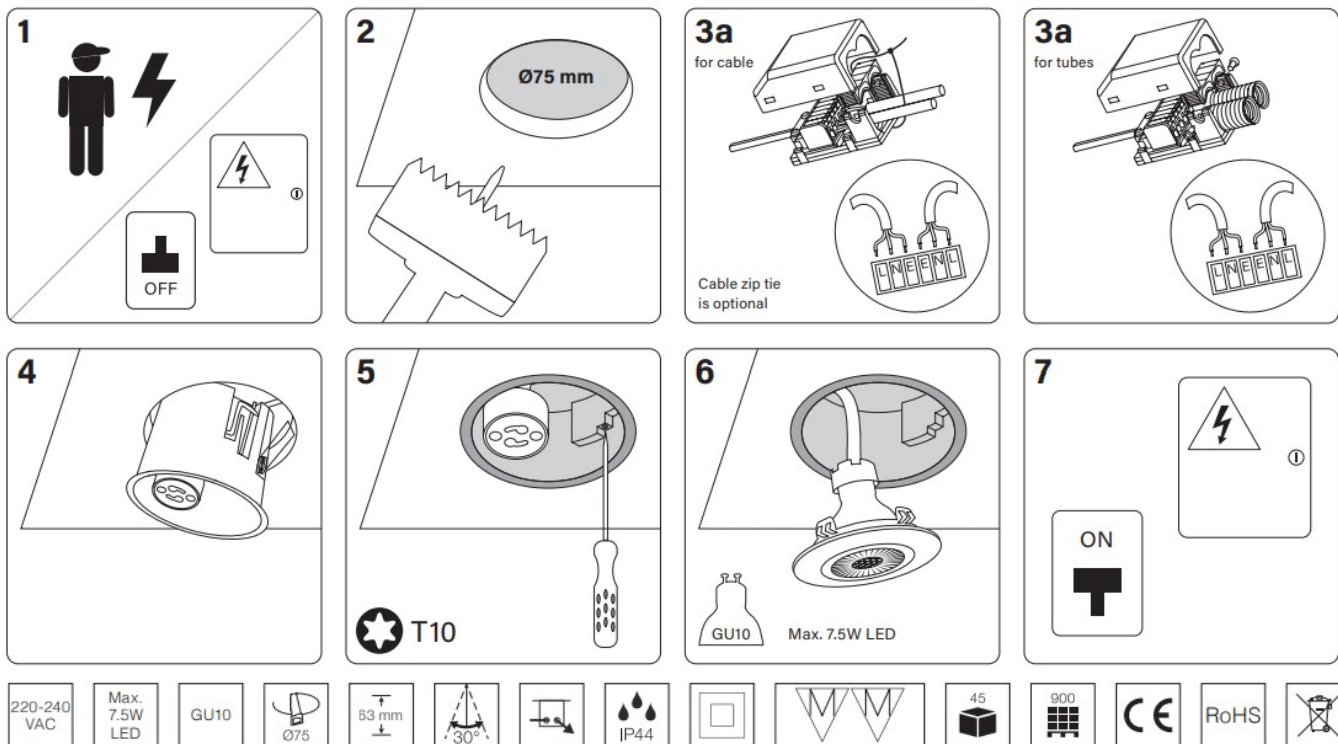
Uni Install G2 Dimmer Excl Light User Guide

Contents

- [1 Uni Install G2 Dimmer Excl Light](#)
- [2 Documents / Resources](#)
 - [2.1 References](#)

Uni Install G2 Dimmer Excl Light





Find the updated manual on our website – nordtronic.com

With reservation for typing errors

Nordtronic A/S | Flade Engvej 4 | DK-9900 Frederikshavn | Denmark | CVR: 29808708

Tel: +45 7020 9531 | nordtronic.com

Manual

12210000-12940000 | 11-2023

Documents / Resources

| | |
|--|--|
| | <p>nordtronic Uni Install G2 Dimmer Excl Light [pdf] User Guide 12210000-12940000, Uni Install G2 Dimmer Excl Light, Uni Install G2, Dimmer Excl Light, Excl Light, Light</p> |
|--|--|

References

- [Nordtronic](#)
- [User Manual](#)