



## nested 216877 Cozi Sleeper Instruction Manual

[Home](#) » [nested](#) » nested 216877 Cozi Sleeper Instruction Manual 

### Contents

- [1 nested 216877 Cozi Sleeper](#)
- [2 Product Usage Instructions](#)
- [3 FAQ](#)
- [4 Instruction Manual](#)
- [5 Safety Precautions](#)
- [6 Dimension](#)
- [7 Documents / Resources](#)
  - [7.1 References](#)
- [8 Related Posts](#)

nested 

nested 216877 Cozi Sleeper



## Cozi Sleeper

### Specifications

- Model: 201022

### Safety Precautions

- This bedside sleeper must be only used with standard type adult beds. Do not use the bedside sleeper with atypical shape beds.
- The height from the floor of the adult bed on which the bedside sleeper may be installed shall be between 50 and 63cm.
- **DANGER!** Always completely raise the drop side when not attached to the adult's bed.
- **WARNING!** To avoid hazards from the child's neck being caught on the top rail on the side that is next to the adult bed, the top rail must not be higher than the adult bed mattress.
- **WARNING!** To avoid the risk of your child being strangled, the attachment system to the adult's bed shall always be kept away from and out of the crib.

### Product Usage Instructions

#### Installation

1. Place the Cozi Sleeper next to the adult bed.

2. Adjust the height of the Cozi Sleeper to match the height of the adult bed, ensuring it is between 50 and 63cm from the floor.
3. Attach the Cozi Sleeper securely to the adult bed using the provided attachment system.

## Safe Usage

- Always completely raise the drop side when not attached to the adult's bed.
- Ensure the top rail of the Cozi Sleeper is not higher than the adult bed mattress to avoid hazards for the child.
- Keep the attachment system away from and out of the crib to prevent the risk of strangulation.

## FAQ

- **Can I use the Cozi Sleeper with a non-standard adult bed?**

No, the Cozi Sleeper should only be used with standard type adult beds. Using it with atypical shape beds can be unsafe.

- **What is the recommended height for the adult bed for installing the Cozi Sleeper?**

The height from the floor of the adult bed on which the Cozi Sleeper may be installed should be between 50 and 63cm.

- **Should I raise the drop side of the Cozi Sleeper when it is not attached to the adult's bed?**

Yes, it is important to always completely raise the drop side when it is not attached to the adult's bed for safety reasons.

- **How should I ensure the safety of my child when using the Cozi Sleeper?**

To ensure the safety of your child, make sure that the top rail of the Cozi Sleeper is not higher than the adult bed mattress. Additionally, keep the attachment system away from and out of the crib to prevent any risk of strangulation.

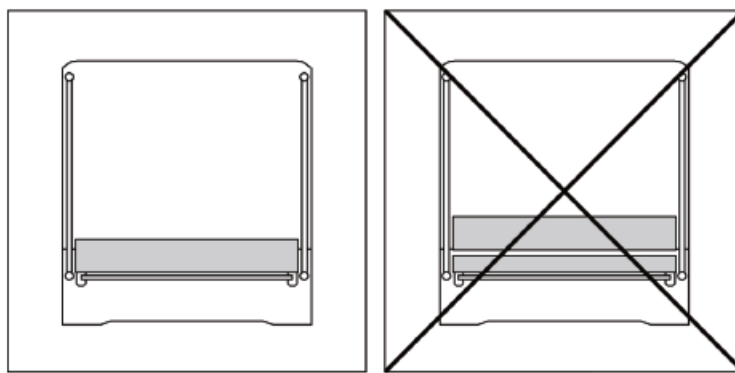
## Instruction Manual

**IMPORTANT! READ CAREFULLY AND KEEP FOR FUTURE REFERENCE.**

## Safety Precautions

- **WARNING! RETAIN FOR FUTURE REFERENCE READ CAREFULLY**
- **WARNING!** Do not use this product without reading the instructions for use first.
- Before using, remove and dispose of any plastic bags and other packaging (e.g. fasteners, fixing ties, etc.) and keep them out of reach of children.
- **WARNING!** This product is intended for use for babies aged between 0 and 6 months, weighing up to a maximum of 9 kg.
- **WARNING!** Stop using this product as soon as the child can sit or kneel or pull itself up. **WARNING!** Do not use the product if any part is broken, torn or missing. Contact the manufacturer for replacement parts and instructional literature if needed. **DO NOT** substitute parts. **WARNING!** Be aware of the risk of burning cigarettes, open fires and other sources of strong heat, such as electric bar fires, gas fires etc. near the crib.
- **WARNING!** Before assembly, check that the product and all of its components have not been damaged during transportation. Should any part be damaged, do not use and keep out of reach of children.

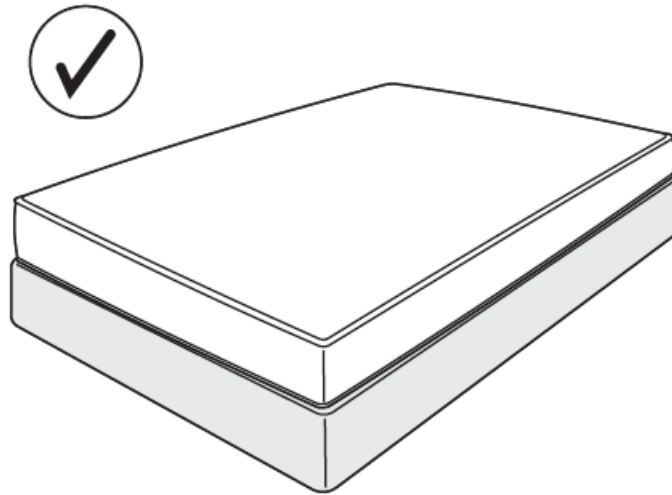
- **WARNING!** Make sure the users of this product are knowledgeable on its proper operation. **WARNING!** The product is ready for use only when all locking mechanisms are engaged. Check carefully that these are engaged before use.
- **WARNING!** Placing additional items in the product may cause suffocation.
- **WARNING!** Do not place the product close to another product, which could present a danger of suffocation or strangulation, e.g. strings, blind/curtains cords etc.
- **WARNING!** The crib should be locked in the fixed position when the child is left unattended. **WARNING!** When the product is used in “co-sleeping mode” (fixed to bed), before laying the child in it, make sure that the connection belts are hooked and tensioned properly. The product must be secured to the adult mattress and no gaps between the product and the adult mattress must be present.
- **WARNING!** When the child is in the product in “crib mode”, always make sure that the side rail is raised and the zippers are completely closed.
- **WARNING!** Only use the mattress sold with this crib. **DO NOT** add a second mattress on top of this one – suffocation hazards.



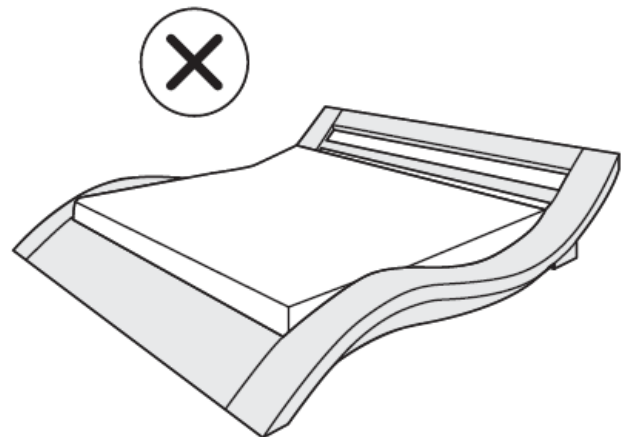
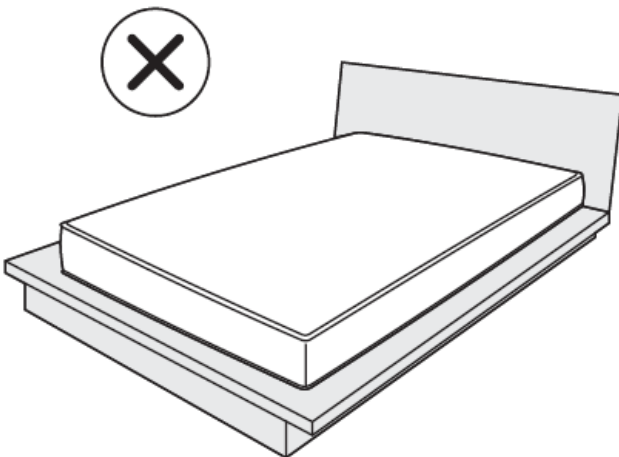
- The mattress length and width shall be such that the maximum gap between the mattress and the crib sides and ends does not exceed 30mm.
- Mattress size: 870 x 460 x 30mm.
- The thickness of the mattress must be such that the vertical height (upper surface of the mattress until the upper edge of the product’s sides) is at least 200mm. Do not use more than one mattress in the crib.
- The reference mark on the product’s interior indicates the maximum thickness of the mattress that shall be used.
- All opening, adjusting, anchoring and positioning operations of the product must be carried out exclusively by an adult.
- Before use in “co-sleeping mode” (fixed to bed), make sure the product is properly anchored and positioned.
- The product must always be placed on a horizontal surface. Never leave the product on an inclined surface with the child inside of it.
- Children must not be permitted to play without supervision near the product.
- Do not use the product without the frame.
- Keep the fastening belts away from the reach of children.
- Do not leave any object inside the product that could reduce its depth.
- Do not position the product near walls and obstacles to prevent trapping hazards.
- The attachment system shall be provided and the user shall not use other attachment system.
- To prevent a suffocation hazard from entrapment, the bedside sleeper shall be properly secured to the adult bed using the attachment system.
- In “co-sleeping mode” the bedside sleepers shall never be used in an inclined position.

- Check the tightness of the attachment system before each use by pulling the bedside sleeper in a direction away from adult bed.
- If there is any gap between the bedside sleeper and the adult bed DO NOT use product.
- Gaps should not be filled with pillows, blankets or other items.
- Do not leave small objects inside the product to prevent choking hazards.

**THIS BEDSIDE SLEEPER MUST BE ONLY USED WITH STANDARD TYPE ADULT BEDS:**

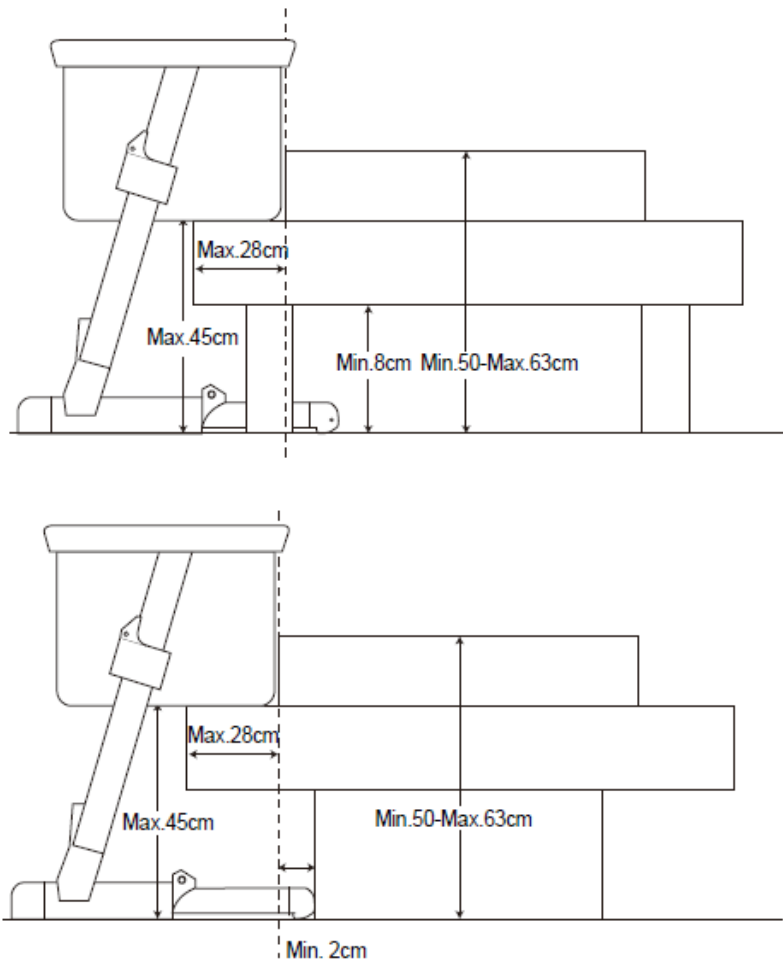


**DO NOT USE the bedside sleeper with atypical shape beds:**



### **Dimension**

The height from the floor of the adult bed on which the bedside sleeper may be installed shall be between 50 and **63cm**.



**DANGER!** Always completely raise the drop side when not attached to the adult's bed.

**WARNING!** To avoid hazards from the child's neck being caught on the top rail on the side that is next to the adult bed, the top rail must not be higher than the adult bed mattress.

**WARNING!** To avoid the risk of your child being strangled the attachment system to the adult's bed shall always be kept away from and out of the crib.

- Use only spare/ replacement parts approved and recommended by the manufacturer.
- Do not apply accessories to the product, which are not supplied by the manufacturer.
- All assembly fittings should be tightened properly and care should be taken to ensure no screws are loose, as a child could trap parts of the body or clothing e.g. strings, necklaces, ribbons etc. which would pose a risk of strangulation.
- Do not adjust the product with the child inside.
- Do not move the product with the child inside.
- Do not use the product with more than one child at a time.
- Ensure legs are fully adjusted before using crib. NEVER use crib with the legs partially or totally retracted.
- The product must be kept away from electric cables and cords. Do not place the product near windows where cords, curtains or similar objects could pose choking or strangling hazards for the child. To avoid
- strangling hazards, do not give to your child or place near your child, objects equipped with cords.
- A prolonged exposure to the sun may cause changes of tones to the product's colour. After a prolonged exposure of the product to high temperatures, wait a few minutes prior to placing your child in it.
- When not in use, keep the product away from the reach of children.

**This product conforms to EN 1130:2019/AC:2020 & EN 16890:2017+A1:2021**

Due to variation in style and design the illustrations used in this instruction manual are generic. Variation in design may occur in the images shown.

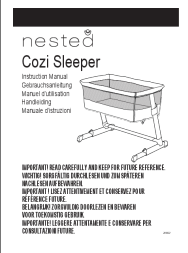
Supplied by Babylo International,

79/ 80 Furze Road, Sandyford Business Estate, Dublin 18. Ireland International House, 12 Constance Street, London, E16 2DQ, United Kingdom A3/ 3FI, West Wing TST Centre, 66 Mody Road, TST East, Kowloon, Hong Kong

Customer Service: [reachout@euroactiveproducts.com](mailto:reachout@euroactiveproducts.com)

---

## Documents / Resources

	<p><a href="#">nested 216877 Cozi Sleeper [pdf] Instruction Manual</a> 216877, 216877 Cozi Sleeper, Cozi Sleeper, Sleeper</p>
---	---

## References

- [User Manual](#)

[Manuals+](#), [Privacy Policy](#)