

Perforated diffuser - semicircular CBA



Description

Comdif CBA is a semicircular perforated displacement diffuser for installation against/on a wall or column. Behind the perforated front plate, CBA is equipped with individually adjustable nozzles, making it possible to alter the geometry of the near zone. The diffuser can be turned and has a circular duct connection (MF measure), so the diffuser can be connected at the top or bottom. The diffuser is suitable for the supply of large volumes of moderately cooled air.

- The diffuser is suitable for the supply of large volumes of air.
- The geometry of the near zone can be adjusted using adjustable nozzles.
- Duct covers, plinths and wall brackets can be supplied as accessories.

Maintenance

The front plate can be removed from the diffuser, making it possible to clean the nozzles. The visible parts of the diffuser can be wiped with a damp cloth.

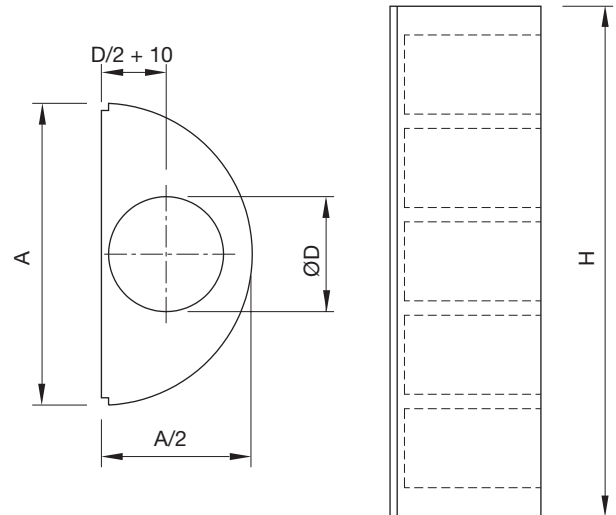
Ordering example

Product	CBA	aaaa
Type		
Size		

Order - accessories

Cover:	CBAZ - 0 - size
Plinth:	CBAZ - 2 - size
Wall bracket:	CBAZ - 3 - size

Dimension



Size	A [mm]	ØD [mm]	H [mm]	Weight [kg]
1207	350	125	710	6.50
1607	420	160	710	7.50
2010	500	200	970	13.0
2510	600	250	970	18.0
3115	730	315	1490	35.0
4020	900	400	2010	58.0
5020	1100	500	2010	78.0

Accessories

Can be supplied with duct cover, plinth and bracket for wall mounting.

Materials and finish

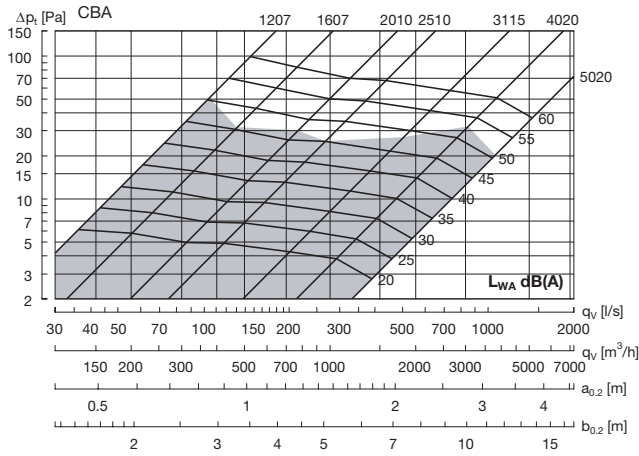
Diffuser:	Galvanised steel
Nozzles:	Black plastic
Front plate:	1 mm galvanised steel
Standard finish:	Powder-coated
Standard colour:	RAL 9003 or RAL 9010 - white, gloss 30.

The diffuser is available in other colours. Please contact Lindab's sales department for further information.

Perforated diffuser - semicircular

CBA

Technical data



Recommended maximum volume flow.

The near zone is given at an under-temperature of -3 K to a maximum terminal velocity of 0.20 m/s. Conversion to other terminal velocities - see table 1, correction of the near zone for -3 K and -6 K respectively.

Sound effect level

$$\text{Sound effect level } L_w \text{ [dB]} = L_{WA} + K_{ok}$$

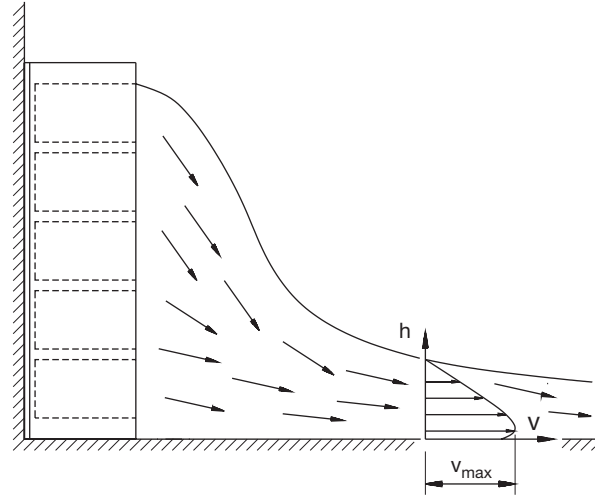
Size	Centre frequency Hz							
	63	125	250	500	1K	2K	4K	8K
1207	8	-3	0	1	-8	-15	-27	-38
1607	10	-3	3	0	-8	-18	-30	-33
2010	15	-2	3	0	-9	-16	-30	-37
2510	10	-1	4	-1	-9	-16	-29	-41
3115	11	1	4	-1	-8	-17	-30	-42
4020	13	3	4	-1	-9	-17	-30	-43
5020	7	2	2	0	-6	-16	-19	-17

Sound attenuation

Sound attenuation ΔL [dB] including end reflection.

Size	Centre frequency Hz							
	63	125	250	500	1K	2K	4K	8K
1207	19	14	5	3	2	1	2	1
1607	16	12	4	1	2	1	2	2
2010	12	8	4	2	3	2	2	2
2510	12	8	5	2	1	1	1	1
3115	11	8	3	2	1	1	2	2
4020	9	6	1	1	1	1	1	1
5020	7	5	0	1	1	1	1	2

Nearzone



Large diffusion (factory setting)

Small diffusion

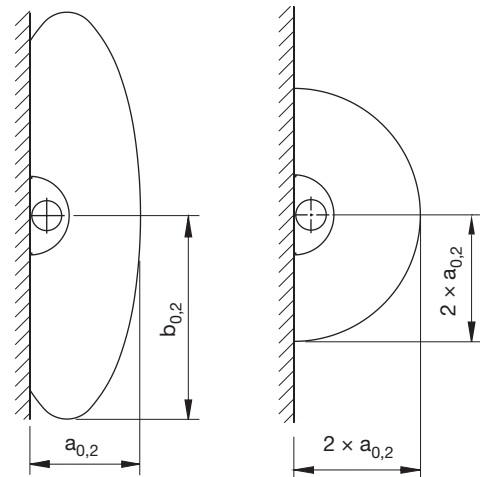


Table 1 Correction of the near zone ($a_{0,2}$, $b_{0,2}$)

Under-temperature $T_i - T_r$	Maximum velocity m/s	Mean velocity m/s	Correction factor
-3K	0.20	0.10	1.00
	0.25	0.12	0.80
	0.30	0.15	0.70
	0.35	0.17	0.60
-6K	0.40	0.20	0.50
	0.20	0.10	1.20
	0.25	0.12	1.00
	0.30	0.15	0.80
	0.35	0.17	0.70
	0.40	0.20	0.60