



IHC-200

Plug and Play
Humidity Controller
(English)

Contents

01 | Overview ----- 03

02 | Specification ----- 04

03 | Keys Instruction ----- 05

04 | Key operation Instruction ----- 06

05 | Menu Instruction ----- 07

06 | Error Description ----- 09

07 | Technical Assistance and Warranty- 09

Safety Precautions

- Please read specification carefully before using product.
- Do not touch the terminals at least while power is being supplied. This could lead to electric shock.
- Do not allow pieces of metal, wire clippings, or fine metallic shaving or filings from installation to enter the product. This can result in electric shock, fire, or malfunction.
- Keep the product away from heat sources such as fires, flammable or explosive gas etc. This may lead to the generation of excessive heat, ignition and explosion.
- Never disassemble, modify or repair the product or touch any of the internal parts. This can result in electric shock, fire, or malfunction.
- If the output relays are used over their life expectancy, contact fusing or burning may occasionally occur. Always consider the application conditions and use the output relays within their rated load and electrical life expectancy. Do not immerse product in water/ seawater.

01 | Overview

What is IHC-200?

IHC-200 is an easy-to-use, safe and reliable dual relay output humidity controller. Its play-n-plug designed, dual LED screens enabling more humanized. IHC-200 can control any 100-265 volt humidifier, dehumidifier or fan.

Main Features

- Switch the modes between humidification and dehumidification automatically;
- Control humidity by setting value and differential value;
- Calibrate the humidity value;
- Delay protection for control output;
- Query current humidity;
- Alarm when humidity exceeds high/low humidity setting value;
- Alarm when sensor error or humidity exceeds limit;

02 | Specification

Power Input	100 ~240VAC, 50Hz/60Hz
Power Output	Max. 10A, 100V ~240V AC
Power Consumption	<3W
Humidity Measuring Range	5%-99.99%RH
Humidity Control Range	5%-99%RH
Resolution	1%RH
Accuracy	±3%RH
Sensor Model	HTG3535CH
Sensor Stability	<0.5%RH/yr
Sensor Length	2m / 6,56ft
Relay Contact Capacity	Humidification (12A, 100 -240VAC)
	Dehumidification (12A, 100 -240VAC)
Input Power Cable Length	1.5m (5ft)
Output Power Cable Length	30cm (1ft)
Dimension	Main Body: 140x68x33mm (5.5x2.7x1.3 inch) Socket (US Version) : 85x42x24mm (3.3x1.7x1.0 inch) Socket (EU Version) : 135 x54 x40mm (5.3 x2.1 x1.6 inch) Socket (UK Version) : 140 x51 x27mm (5.5 x2.0 x1.0 inch)
Ambient Temperature	-30~ 75 ° C / - 22~ 167 ° F
Storage	Temperature -30~ 75 ° C / -22~ 167 ° F
	Humidity 20~85% (No Condensate)
Warranty	1 Year

03 | Keys Instruction



① PV: Process Value.

- Under running mode, display current humidity;
- Under setting mode, display menu code;
- When pressing the decrease and increase keys simultaneously it displays the current humidity.

② SV: Setting Value.

- Under running mode, display setting humidity;
- Under setting mode, display setting value.

③ Humidification Indicator Lamp:

- On: Humidification Working;
- Off: Humidification Stop Working.

④ Dehumidification Indicator Lamp:

- On, Dehumidification Working;
- Off, Dehumidification Stop Working;
- Flicker, Dehumidification Delay.

⑤ SET key:

- Press SET key for 3 seconds to enter menu for function setting. During the setting process, press SET key for 3 seconds to quit and save setting changes.

⑥ DECREASE key:

- Under running mode, press DECREASE key to inquiry DD value; Under setting mode, press DECREASE key to decrease value.

⑦ INCREASE key:

- Under running mode, press INCREASE key to inquiry HD value; Under setting mode, press INCREASE key to increase value.

⑧ **Dehumidification Device Socket:** Dehumidification output.

⑨ **Humidification Device Socket:** Humidification output.

04 | Key operation Instruction

4.1 Power On/Off

When the controller working normally, press and hold "SET" "▲" "▼" key simultaneously for 3 seconds to enter the condition of power off, all the display and output would be turn off. On the condition of power off, press and hold "SET" "▲" "▼" key simultaneously for 1 second to enter the condition of normal measuring.

4.2 Enquiry Differential Value

When the controller working normally, short press "▲" key once, then the humidification differential (HD) will be displayed; Short press "▼" once, then the dehumidification differential (DD) will be displayed. Two seconds later, the display of humidity will be return to the normal display mode.

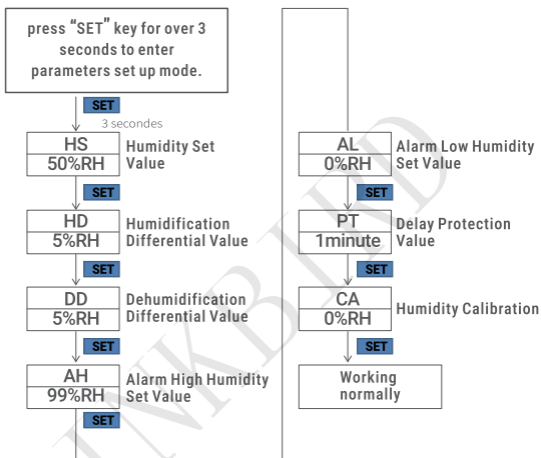
4.3 How to Set Parameters

When controller working normally, press and hold "SET" key for 3 seconds to enter parameters setting mode, PV screen displays the first menu code "HS", while SV screen displays according setting value. Press "SET" key to page down the menu then the code would be displayed, press "▲" "▼" key to change the current parameter

values.

After finished settings, press and hold "SET" key for 3 seconds at any status to save the parameter setting value and return to the normal displaying mode of humidity. During setting, if there is no operation for 10 seconds, system will quit the menu automatically and return to the mode of normal humidity displaying without saving the parameters modification.

4.4 Setup Flow Chart



05 | Menu Instruction

Menu Code	Function	Setting Range	Default	Unit	Remarks
HS	Humidity Set Value	5 ~ 99	50	%RH	5.1
HD	Humidification Differential Value	1 ~ 20	5	% RH	5.1
DD	Dehumidification Differential Value	1 ~ 20	5	% RH	5.1
AH	Alarm High Humidity Set Value	50 ~ 99	99	% RH	5.2
AL	Alarm Low Humidity Set Value	0 ~ 50	0	% RH	5.2
PT	Delay Protection Value	0 ~ 10	1	minute	5.3
CA	Humidity Calibration	-10 ~ 10	0	%	5.4

5.1 Humidity Control Range Setting (HS, HD, DD)

When controller works normally, LED displays current measured value of humidity, then starting the recognition and translation of humidifying and dehumidifying automatically.

When the measured humidity $PV \geq HS$ (**Humidity Set Value**) + **DD (Dehumidification Differential Value)**, entering into the status of dehumidification, indicator lamp of dehumidification will on, relay of dehumidification will work. **When the dehumidification indicator light is flickering**, the dehumidifying equipment is being in the status of delay protection. When the measured humidity $PV \leq HS$ (**Humidity Set Value**), the dehumidification indicator lamp will off, and the dehumidification relay stops working.

When the measured humidity $PV \leq HS$ (**Humidity Set Value**) – **HD (Humidification Differential Value)**, entering into the status of humidification, indicator lamp of humidification will on, relay of humidification will work; When the measured humidity $PV \geq HS$ (**Humidity Set Value**), indicator lamp of humidification will off, the humidification relay stops working.

5.2 Alarm High/Low Limit Setting (AH, AL)

When the measured humidity $PV \geq AH$ (**Alarm High Humidity Set Value**) or the measured humidity $PV \leq AL$ (**Alarm Low Humidity Set Value**), alarm with the "BI-BI-BIII" sound, current value, AH or AL will display on PV screen. The voice of alarm can be stopped by pressing any key but the status of alarm will be not change until the value of measured humidity return to the normal range.

5.3 Compressor Delay (PT)

Under dehumidification mode, after power on, if the measured humidity $PV \geq HS$ (**Humidity Set Value**) + **DD (Dehumidification Differential Value)**, the equipment won't start dehumidification immediately, but waiting for a delay time.

When the time interval between two dehumidification operation (or the time from power on to dehumidify) is larger than preset delay, the equipment will start dehumidification immediately; when the time interval between two dehumidification (or the time from power on to dehumidify) is less than preset delay, the equipment won't start dehumidification until preset delay is satisfied.

Delay time will be calculated right after after dehumidification stops working.

5.4 Humidity Calibration (CA)

When there is deviation between measured humidity and actual

humidity, use humidity calibration function to align the measured humidity and actual humidity. The corrected humidity is equal to humidity before calibration plus corrected value (corrected value could be positive value, 0 or negative value) .

06 | Error Description

Sensor fault alarm: when humidity sensor is in short circuit or open loop, the controller will initiate sensor fault mode, and cancel all the actions. The buzzer will alarm, LED displays ER. Buzzer alarm could be dismissed by pressing any key. After faults solved, the system will return to normal working mode.

07 | Technical Assistance and Warranty

7.1 Technical Assistance

If you have any problems on installing or using this humidity controller, please carefully and thoroughly review the instruction manual. If you require assistance, please write us to support@ink-bird.com. We will reply your emails in 24 hours from Monday through Saturday.

You can also visit our web site www.ink-bird.com to find the answers of the common technical questions.

7.2 Warranty

INKBIRD TECH. C.L. warrants this humidity controller for one years from the date of purchase when operated under normal condition by the original purchaser (not transferable), against defects caused by INKBIRD's workmanship or materials. This warranty is limited to the repair or replacement, at INKBIRD's discretion, of all or part of the thermostat. The original receipt is required for warranty purposes.

INKBIRD is not responsible for injury property damage or other consequential damages or damages of third parties arising directly from an actual or alleged in mater of workmanship of the product.

There are no representations, warranties, or conditions, express or implied, statutory or otherwise, other than herein contained in the sale of goods act or any other statue.



INKBIRD TECH.C.L

Support@ink-bird.com

www.ink-bird.com

+86-755-25738050

Shenzhen,GD,518000,China

