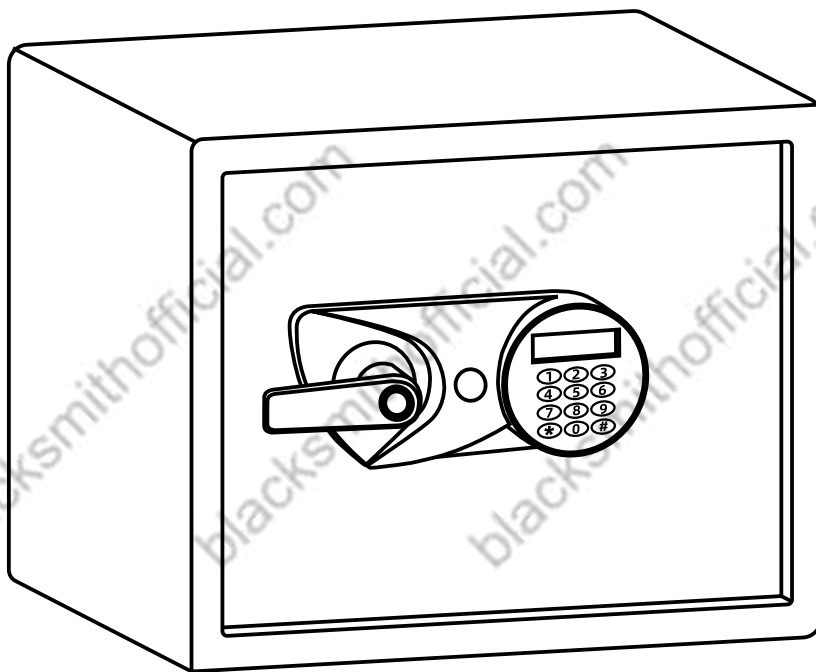


SAFE BOX



SF0603

H36 Fingerprint Safe Box

CONTENTS

Intelligent electronic lock safe	1
Opening your safe for the first time	1
Mounting method	2
Inserting the batteries	2
Setting the user code	2
Setting the master code	3
Setting fingerprint (only for fingerprint safe)	3
Returning to factory settings	3
Opening door	3
Opening the safe in emergency	4
Closing door	4
Alarm device	4
Sound off/ on	4
Hide the code	4

INTELLIGENT ELECTRONIC LOCK SAFE

(No one is authorized to open the safe before setting the fingerprint)

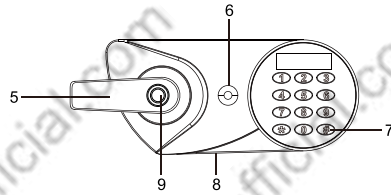
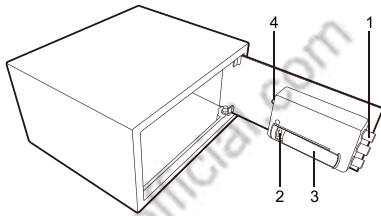
! Please do not keep emergency keys in your safe!

Dear valued customer:

Thank you for choosing our products! You've taken an important step in organizing and protecting your most valued possessions. Every series of our safes is professionally made and designed to provide safety. Please take time to read and familiarize yourself with the proper operating procedures of your new safe presented on the following pages.

Again, thank you for choosing our products!

Schematic drawing of case and control panel



- 1. Bolts
- 2. Reset Button
- 3. Battery Compartment
- 4. LED Light
- 5. Handle

- 6. Emergency Lock Cover
- 7. Confirm button
- 8. Jack for External Power
- 9. Fingerprint Scanner
(Only for fingerprint safe)

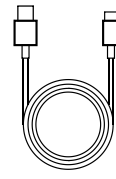


Specification

Item	External Size	Net Weight
SF0603	H360*W330*D330	12.9KG



Fixing Bolts x4



Type-C x1

OPENING YOUR SAFE FOR THE FIRST TIME

Upon first opening, users should open the safe with the emergency key. The operation in details refers to "opening the safe with the emergency key".

- Remove emergency lock cover, then insert the emergency key, and turn it counter-clockwise.
- Turn the handle downward to open the door.

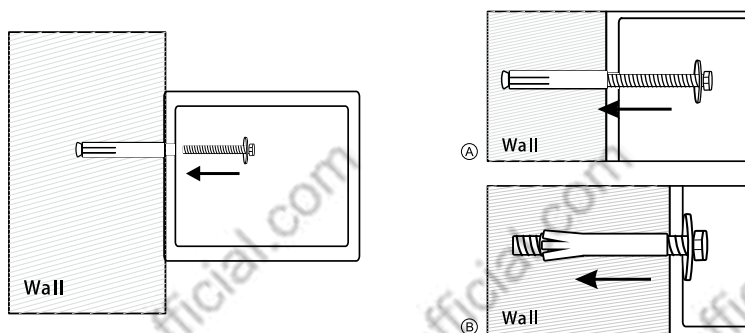
! CAUTION: Finish operation, pull out the emergency key and keep it in a safe place.

MOUNTING METHOD

Fix the safe in the place which is not easy to move.

- Drill holes for expansion bolts (or clamping screws) in the right place.
- Turn the expansion bolts counter clockwise to separate.
- Use the expansion bolts (or clamping screws) to secure the case to the wall.
- Make sure the case is mounted in place as required and then tighten all screws.

⚠ **CAUTION:** Use the expansion bolt when there is a concrete wall surface. Use the clamping screw when there is a wooden wall surface.



INSERTING THE BATTERIES

- Open the door.
- Insert 4AA batteries into the battery compartment.
- Under normal condition, if the LED display shows "LO-BAT", you should change the batteries after entering "#" button.

⚠ **CAUTION:** Replace 4 fresh batteries by lining them up in a manner as indicated by the "+" and "-" signs. When outage for thirty minutes or longer, you should reset the user code.

SETTING THE USER CODE

- Open the door. Remove the battery compartment cover. Press the reset button, beeps are heard and the LED display lights.
- Enter new password (3-8 digits) and press the "#" button to confirm.
- Two "beeps" are heard and display show "IN" to indicate the password setting is successful. If three "beeps" are heard and display show "Error", the password is wrong, please repeat above operation.

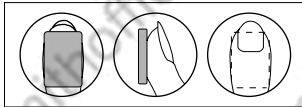
⚠ **CAUTION:** The display will turn off if no digit input after around 15 seconds.

SETTING THE MASTER CODE

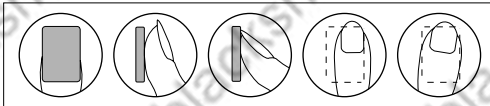
- Open the door. Remove the battery compartment cover. Input "00" and press the reset button within 5 seconds, the LED display lights.
 - Enter new master code (3-8 digits) and press the "#" button to confirm.
 - The display will show "IN" to indicate the code setting is successful. So now you can use your safe box by new master code. If three "beeps" are heard and display show "Error", the code is wrong, please repeat above operation.
- ❗ **CAUTION:** The display will turn off if no digit input after around 15 seconds.

SETTING FINGERPRINT (ONLY FOR FINGERPRINT SAFE)

- Open the door, input "01" and press the reset button, display shows "FP IN".
 - Place your finger on fingerprint scanner and then remove, you will hear 1 buzzer beep.
 - Repeat the same fingerprint scanning five times until the green light turns on and the buzzer sounds two beeps, it means the new fingerprint register successfully.
 - Now you can long press the fingerprint scanner until the green light turns on and the buzzer sounds two beeps, turn the handle downward to open the door.
- ❗ **CAUTION:** Maximum 50 fingerprints support! Please use same finger during fingerprint registration!



I. Correct



II. Incorrect

RETURNING TO FACTORY SETTINGS

- Open the safe and long press the reset button until the buzzer sounds two beeps, it means the safe return to factory settings.
- ❗ **CAUTION:** In factory settings, the user code is "1234" and no fingerprint allow to open the safe!

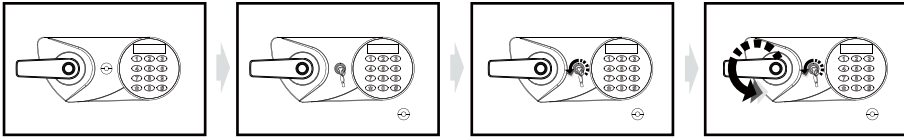
OPENING DOOR

- Input your user code (3-8 digits) and press the "#" button to confirm, the safe will be unlocked and the screen will display "-OPEN-"
 - Turn the handle downward to open the door.
- ❗ **CAUTION:** The user preset code is "1234". The code lock has the function of auto-locking, and if there is not any operation after inputting the code, the lock will lock automatically again. And the blank fingerprint cannot open the door.

OPENING THE SAFE IN EMERGENCY

Upon first receipt of the safe, or either the electronic circuit malfunction or codes unknown. You could also use the emergency key to open the safe.

- Remove the cover of the emergency lock.
- Insert the emergency key to the key hole, turn it counterclockwise, then turn the handle downward to open the door.



CLOSING DOOR

- Turn the handle upward to close the door.

ALARM DEVICE

- Keep the door closed, input "0" and "#" keys to activate the vibration alarm function, display shows "ALERT ON".
- If the safe is moved or suffer from external impact, the vibration alarm function will be turned on and the alarm will sound for about 1 minute. You can enter the correct code and confirmed by "#" to clear the alarm.
- When the wrong code is entered three times consecutively, the buzzer will sound for about 20 seconds. If the wrong code is entered six times consecutively, the buzzer will sound for about five minutes, and the keypad will not accept any code. You need to open the door with key, remove the batteries to terminate the lockout.

SOUND OFF/ ON

- The keypad sound can be turned OFF and ON by input "1" and "#" keys during the safe in sleep mode (the display is off). And this is a one-time operation.

HIDE THE CODE

- The safe code can be hidden by press the "*" key before you input the user code. And this is a one-time operation.

For any help, kindly consult the local distributor