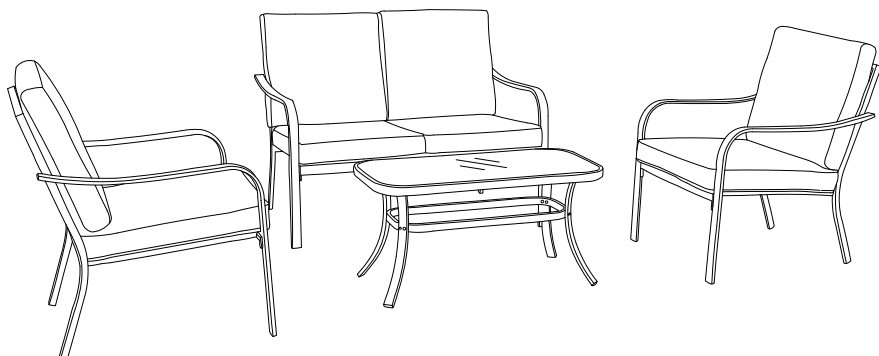




USER GUIDE

STANTON 4-PIECE PATIO FURNITURE CONVERSATION SET



CAUTION
For outdoor
use only!

For product assistance &
missing or replacement parts:

WE CAN HELP

Email: Walmart@aeoutdoor.com
877-980-6928

Monday-Friday 7:30 am to 4:30 pm PST

**THIS GUIDE CONTAINS
IMPORTANT SAFETY
INFORMATION.**

**PLEASE READ AND KEEP
FOR FUTURE REFERENCE.**

Find more at **Walmart.com**

Contents & Information

CONTENTS & INFORMATION	2	ASSEMBLY	7-12
OVERVIEW	3	CARE AND MAINTENANCE	12
SAFETY PRECAUTIONS	3-4	WARRANTY	13-14
MODEL DESCRIPTION	5	SPECIFICATIONS	14
Setup	5		
Tools Needed.....	5		
Hardware.....	5		
Parts List	5		
Parts Diagram.....	6		

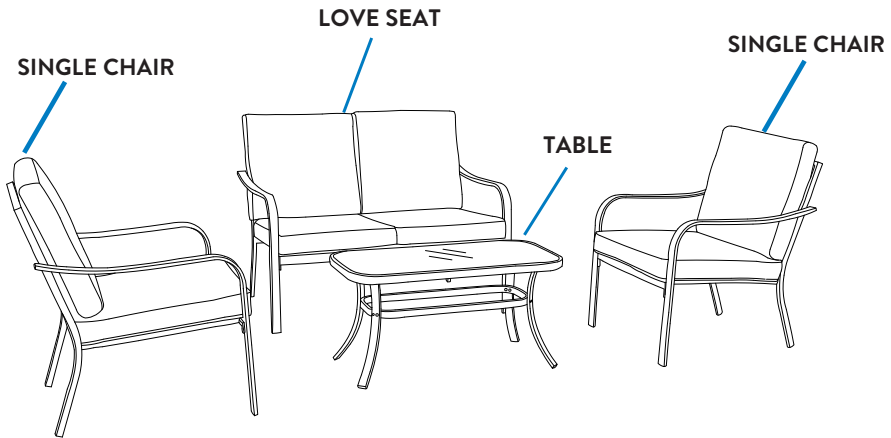
FEATURES

- Chairs and loveseat feature soft seat and back cushions
- Tempered glass top coffee table
- Durable steel frame for a long life

Pre-Assembly

- Carefully remove all pieces from the carton and make sure that you have all parts (refer to the hardware and parts content list).
If you are missing parts, please contact walmart@aeoutdoor.com for further assistance.

Overview



Safety Precautions

CAUTION

PLANNING ASSEMBLY

- Read all instructions before assembly
To avoid damaging this product, assemble it on a soft non-abrasive surface such as carpet or cardboard.

NOTE:

- Will require two or more people to assemble this product.

Safety Precautions

ATTENTION

- Use the correct bolts as indicated. Do not tighten any of the bolts until the product is completely assembled.
- Do not discard any of the packaging until you have checked that you have all of the parts required for assembly, and have no damage pieces.
- Keep children away during assembly. This item contains small parts that can be swallowed by children. Children should always be under direct adult supervision while using this product.
- Retain these assembly instructions for future reference.

ATTENTION

- a. Read instructions thoroughly to ensure safe and proper assembly.
- b. Lay out all of the parts on a flat surface and identify them using the table below.
- c. One ratchet tool, and one wrench is provided for installation.

Model Description

SETUP



×2



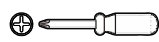
TOOLS NEEDED



Ratchet Tool



Wrench



Phillips Screwdriver

HARDWARE

Part	Description	Picture	Qty
AA	Bolt (18MM)		12
BB	Bolt (30MM)		6
CC	Bolt (40MM)		8
DD	Bolt (55MM)		7

Part	Description	Picture	Qty
EE	Lock Nut		8
FF	Washer		8
GG	ST 4.8*13		4

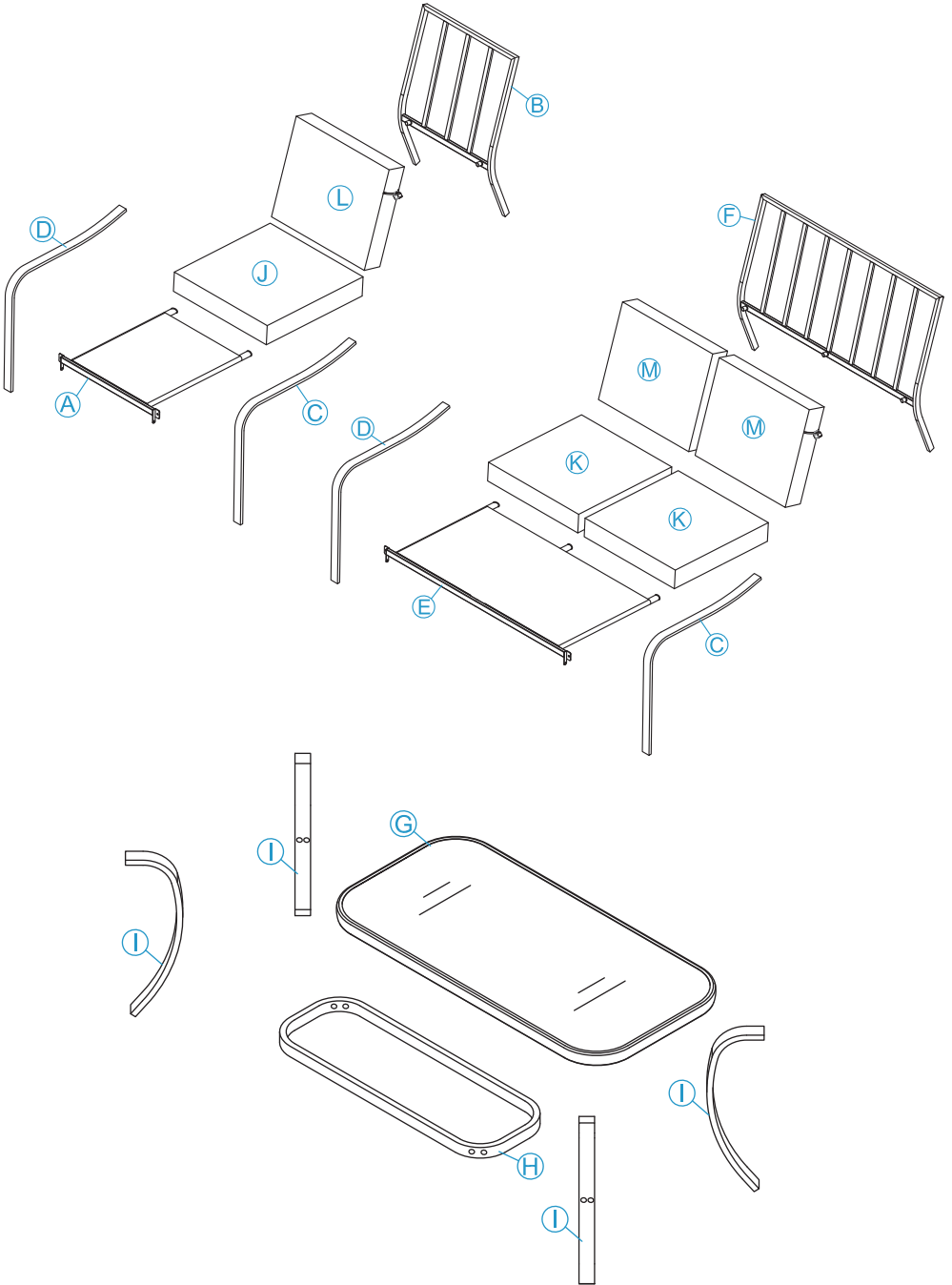
PARTS

Part	Description	Qty
A	Single Chair Seat Panel	2
B	Single Chair Back Panel	2
C	Left Armrest	3
D	Right Armrest	3
E	Love Seat Panel	1
F	Loveseat Back Panel	1
G	Table Top	1

Part	Description	Qty
H	Leg Connector Bracket	1
I	Table Leg	4
J	Single Chair Seat Cushion	2
K	Love Seat Cushion	2
L	Single Chair Back Cushion	2
M	Loveseat Back Cushion	2

Model Description

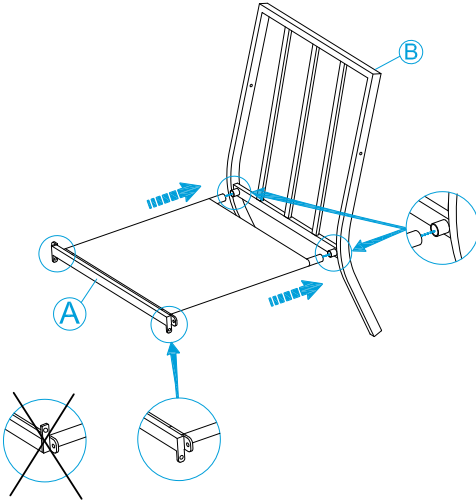
PARTS DIAGRAM



Assembly

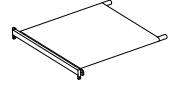
1. ASSEMBLY SINGLE CHAIR

1. Insert **Seat (A)** to the protruding tube on **Back (B)**.

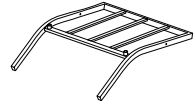


REQUIRED

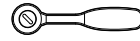
(A) Single Chair Seat Panel x2



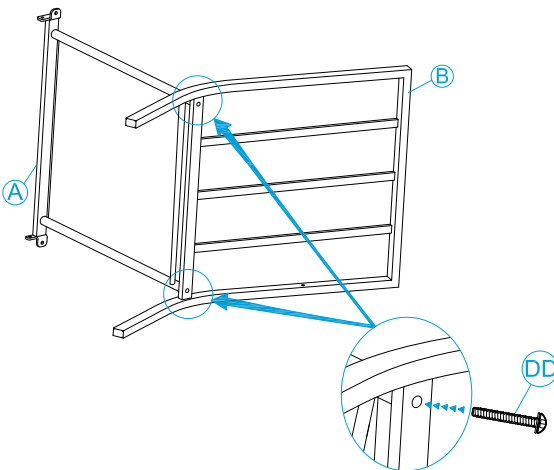
(B) Single Chair Back Panel x2



2. Using **Bolts (DD)** and ratchet assemble **Seat (A)** and **Back (B)** together.



Ratchet Tool



REQUIRED

(DD) Bolt (55MM) x4



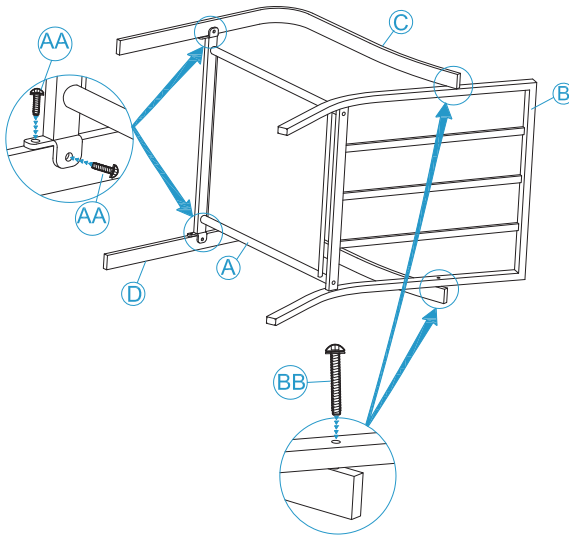
Assembly

1. ASSEMBLY SINGLE CHAIR

3. Using **Bolts (AA)** and **(BB)** attach **Left and Right Armrest (C&D)** to the seat and back.



RATCHET



REQUIRED

(C) Left Armrest x2



(D) Right Armrest x2



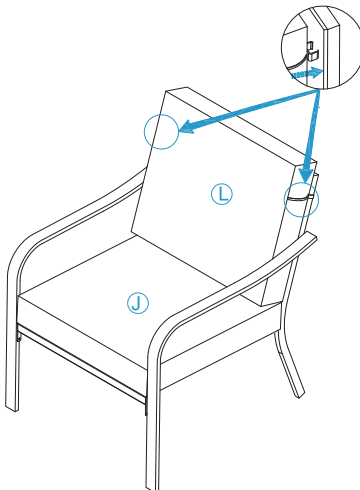
(AA) Bolt (18MM) x8



(BB) Bolt (30MM) x4

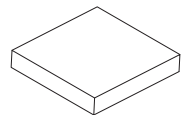


4. Place **Seat Cushion (J)** and **Back Cushion (L)** on the seat. Attach the strap of the **Seat cushion (J)** to the back frame and secure the two clasps on the **Back cushion (L)** to the back tube.

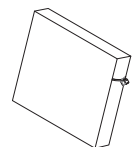


REQUIRED

(J) Single Chair Seat Cushion x2



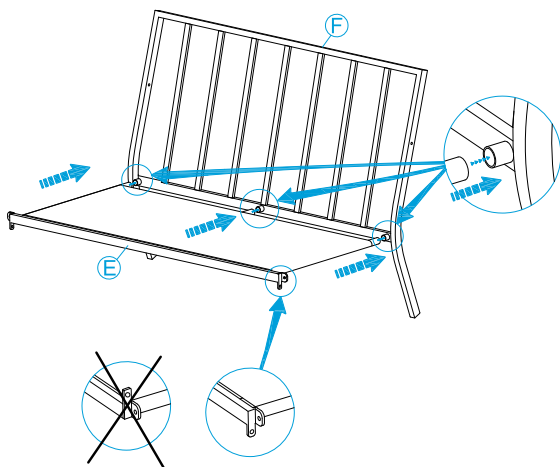
(L) Single Chair Back Cushion x2



Assembly

2. ASSEMBLY LOVE SEAT

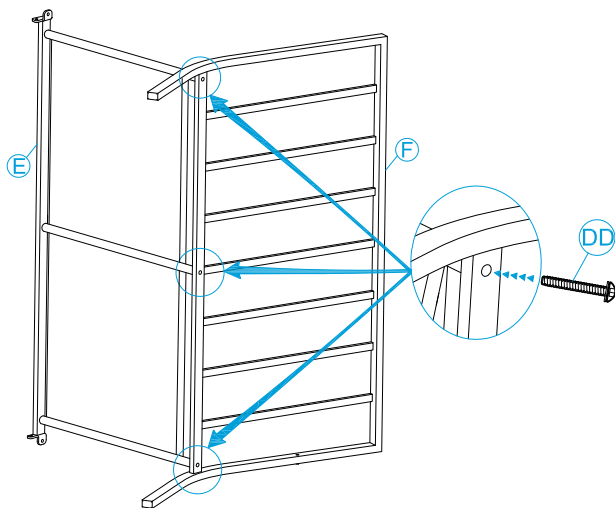
1. Insert **Seat (E)** to the protruding tube on **Back (F)**.



2. Using **Bolts (DD)** and ratchet assemble **Seat (E)** and **Back (F)** together.

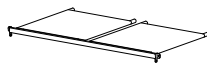


RATCHET

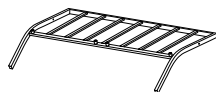


REQUIRED

(E) Love Seat Panel
x1



(F) Loveseat Back Panel
x1



REQUIRED

(DD) Bolt
(55MM) x3



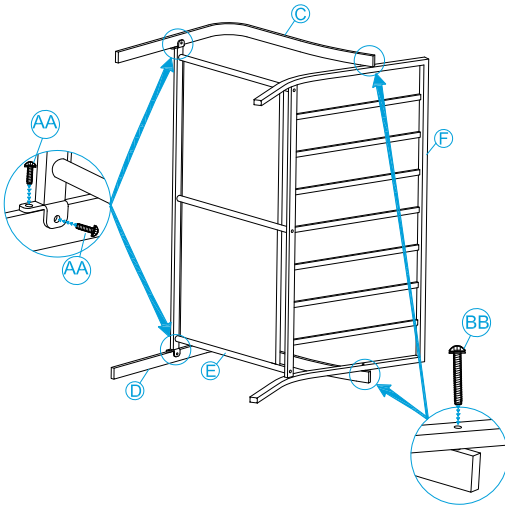
Assembly

2. ASSEMBLY LOVE SEAT

3. Using **Bolts (AA)** and **(BB)** attach **Left and Right Armrest (C&D)** to the seat and back.

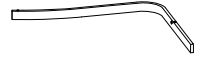


RATCHET



REQUIRED

(C) Left Armrest x1



(D) Right Armrest x1



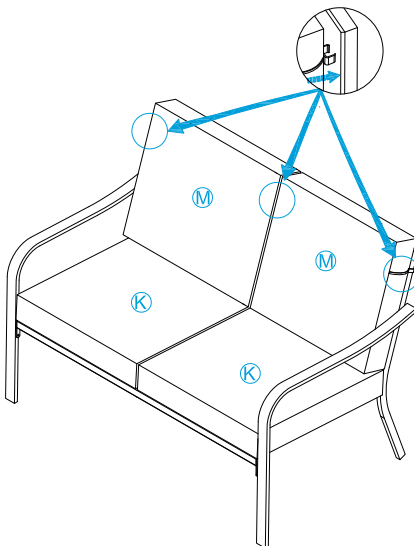
(AA) Bolt (18MM) x4



(BB) Bolt (30MM) x2

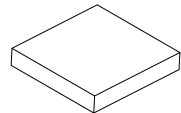


4. Place **Seat Cushion(K)** and **Back Cushion(M)** on the seat.

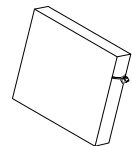


REQUIRED

(K) Love Seat Cushion x2



(M) Loveseat Back Cushion x2



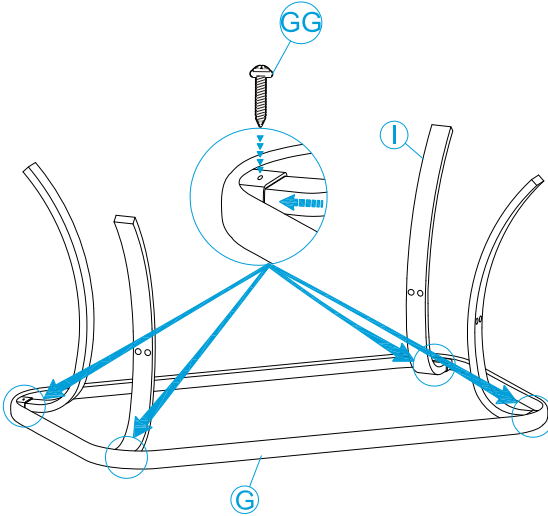
Assembly

3. ASSEMBLY TABLE

1. Insert **Table Leg (I)** into the joint on **Table Top (G)** and tighten **Bolts (GG)**.



RATCHET

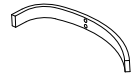


REQUIRED

(G) Table Top x1



(I) Table Leg x4



(GG) ST 4.8*13x4



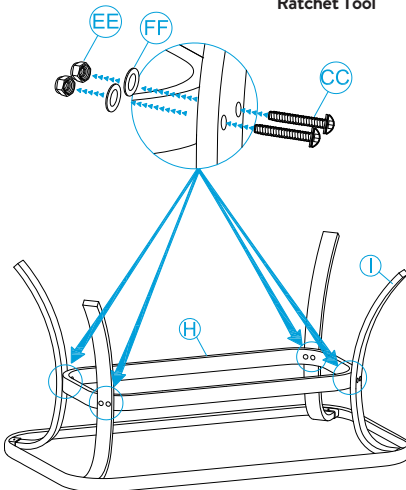
2. Assemble **Leg Connector Bracket (H)** to legs using **Bolts 40MM (CC)**, **Washers (FF)** and **Lock Nut (EE)**.



Ratchet Tool



WRENCH



REQUIRED

(H) Leg Connector Bracket x1



(CC) Bolt (40MM) x8



(EE) Lock Nut x8



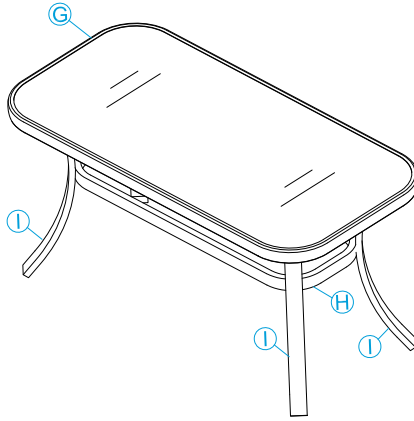
(FF) Washer x8



Assembly

3. ASSEMBLY TABLE

3. Complete assembly.



Care and Maintenance

- Use a furniture cover when not in use.
- Inspect and tighten all bolts and fasteners on a regular basis to ensure the proper performance and safety of your product.
- In order to prolong the life and beauty of your furniture, we recommend that it be stored in a dry and protected area during off season periods.
- Be careful to never allow water to build up in the frames as this will cause corrosion and freeze damage in cold climates.
- Wash all frames with a solution of mild soap and water. Rinse with clean water and dry with a soft absorbent cloth towel.
- Frames can be treated with a liquid wax for maximum protection against UV rays or salty, damp air.
- If your set includes cushions, slings, or an umbrella they may be cleaned by hand with a solution of soap and water with a clean water rinse. (Never machine wash cushions canopy , slings or umbrella covers as this will result in shrinkage or damage).
- After cleaning cushions allow to air dry. (Never use a commercial or home dryer to tumble dry fabric goods).
- Do not use bleach or solvents to clean any product! This will void the warranty.



2 YEAR LIMITED WARRANTY COVERING DEFECTIVE PARTS

Contact Manufacturer for Additional Information

For a period of two (2) years after date of purchase, the Manufacturer will either repair or replace defective components in accordance with this Limited Warranty. This warranty is between the Manufacturer and the original purchaser and is valid only when accompanied by the original purchaser's sales receipt showing original date of purchase and location of purchase. Replacements under this warranty revert back to the date of original purchase for future warranty.

The Manufacturer or its authorized dealer can accept or reject warranty claims based on its findings. This warranty applies in normal residential use only and is not intended for commercial use. The Manufacturer can make substitutions as required of materials, components, and subcomponents of comparable value and utility. This warranty is limited to product repair or replacement (to be determined solely by the Manufacturer). Warranty return is limited to only the single affected component. This limited warranty covers only manufacturing defects and does not cover normal wear and tear, damage due to acts of nature (such as, but not limited to freezing or high winds), abuse or misuse, including chemical damage from suntan oil or other chemicals, exposure to extreme heat or cold, abrasion or excessive weight. This product is intended to be used in standard installations only.

This warranty is void if the product is not used for its intended purpose. The Manufacturer disclaims liability for any aspect of installation and any inconvenience caused by a defective part of a component. Certain items are not covered by this warranty. These include, but are not limited to the following:

- Components subjected to abuse, including abuse intended to simulate failure.
- Damages caused by retailer, shipper or installation crew (such as scratches, dents, tears, chips, etc.).
- Any part which merely exhibits normal wear yet functions essentially as new, including chips, scratches or stretching of materials and stitching.
- Tears, punctures, scratches or any damage caused by improper installation or use.
- Damage to frames/welds resulting from improper assembly or exposure to water and/or sub-freezing temperatures is not covered. General frame rusting is not covered.
- Fading and/or discoloration of fabrics/cushions/straps/wicker resulting from exposure to the elements, chemicals, oils, fluids or any other cause are not covered.
- Umbrella bases are not covered under any circumstances.
- Items sold "as is" or floor models.

To make a claim, call and or e-mail the toll-free number in this manual. Please have available a copy of the original sales receipt along with a brief description of the problem. Please also provide your email address and daytime telephone or cell phone number. Repairs or replacement will be made at the Manufacturer's option.

Warranty

THIS IS THE ENTIRE EXCLUSIVE EXPRESS LIMITED LIABILITY. THE MANUFACTURER NEITHER MAKES NOR IS RESPONSIBLE FOR ANY OTHER WARRANTIES, EITHER EXPRESS OR IMPLIED, INCLUDING THOSE OF RETAILING DEALERS. THIS EXCLUSIVE REMEDY IS LIMITED TO RECEIPT OF A CREDIT IN CONNECTION WITH THE REPAIR OR REPLACEMENT OF ANY PRODUCT OR COMPONENT DEEMED TO BE DEFECTIVE UNDER THE TERMS AND CONDITIONS AS STATED IN THIS WARRANTY. NEITHER THE PRODUCT MANUFACTURER NOR ITS AGENTS SHALL BE LIABLE IN ANY CASE FOR INCIDENTAL, INDIRECT, SPECIAL OR CONSEQUENTIAL DAMAGES RESULTING FROM THE USE OF THIS PRODUCT OR ARISING OUT OF ANY BREACH OF THIS WARRANTY OR NEGLIGENCE EVEN IF IT HAS BEEN ADVISED OF THE POSSIBILITY OF SUCH DAMAGES. EXCEPT AS OTHERWISE MAY BE REQUIRED BY LAW, THERE ARE NO OTHER EXPRESS OR IMPLIED WARRANTIES OTHER THAN THE WARRANTY DESCRIBED HEREIN, AND ALL OTHER WARRANTIES, INCLUDING ANY IMPLIED WARRANTY OF MERCHANTABILITY OR FITNESS FOR A PARTICULAR PURPOSE ARE EXPRESSLY DISCLAIMED.

Specifications

Weight

98.55 lbs

Weight Limit

Single Chair: 300 lbs

Love Seat: 600lbs

Table: 68.34 lbs



We'd love to hear from you...

Scan here to leave us a product review

www.walmart.com/reviews/write-review?productId=917480739