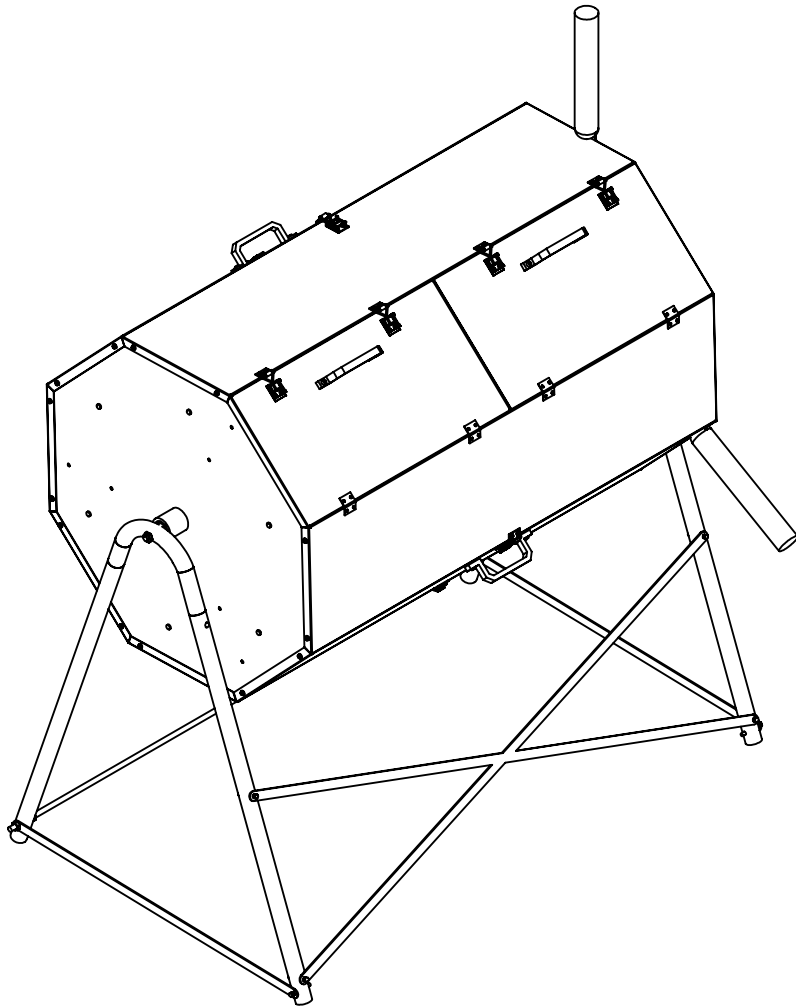


Installation instructions



hardware list		
No.	Dis	QTY
1	handle 1	3
2	handle 2	5
3	M10 nut	6
4	M10 washer	6
5	hasp part	10
6	5x20 hex screw	28
7	M6x35 bolt	10
8	M6 nut	10
9	M6x15 bolt	16
10	M4x10 bolt	40
11	plastic bolt	18
12	plastic nut	18
13	M5 washer	12

part list		
No.	Dis	QTY
1	side panel 1	1
2	side panel 2	1
3	middle panel	1
4	panel 1	1
5	panel 2	3
6	panel 3	2
7	panel 4	1
8	EVA tube 1	2
9	EVA tube 2	2
10	tube 3	1
11	matel tube	1
12	bend tube	2
13	foot tube	4
14	connect steel 1	2
15	connect steel 2	2
16	connect wire	2

