



EN

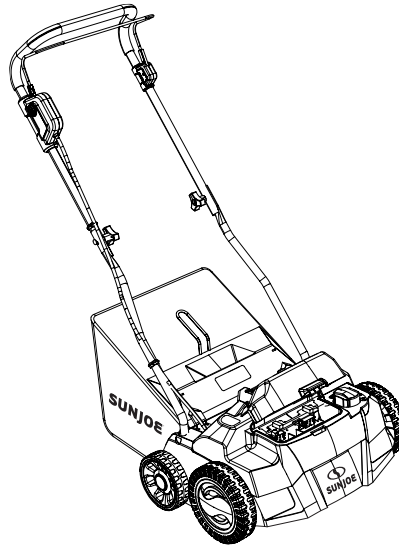
CORDLESS LAWN SCARIFIER + DETHATCHER

48V* IONMAX™ | 4.0 Ah | 15-INCH

OPERATOR'S MANUAL

Model 24V-X2-DTS15

Form No. ASP-24V-X2-DTS15-880E-MR3(S)



THANK YOU FOR YOUR PURCHASE!

HAS YOUR SNOW JOE EXPERIENCE LEFT YOU SMILING? 😊

TELL YOUR FRIENDS AND TAG US!

We love to hear your feedback! Share your experience by writing comments and reviews on shopjoe.com, or connect with us on social media!



@SNOWJOECO

#GOWITHJOE

OR HAS SOMETHING LEFT YOU LESS THAN SATISFIED? 😞

WE'RE SORRY ABOUT THAT!

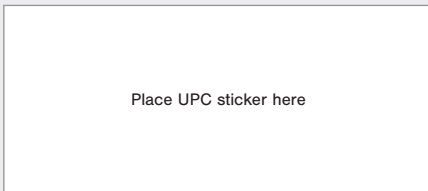
Our friendly customer service team is ready to help you with any issues you may have, Monday – Sunday from 9AM to 5PM EST

CALL US, EMAIL US, CHAT WITH US

✉️ HELP@SHOPJOE.COM
For fastest response

📍 SHOPJOE.COM

📞 1-866-225-9723



Place UPC sticker here

- ✓ ACTIVATE YOUR **2 YEAR WARRANTY**
- ✓ RECEIVE **90 DAYS BONUS COVERAGE**
- ✓ VISIT **SHOPJOE.COM/REGISTER**

Failure to register your product purchase will not diminish your warranty rights. For more information visit shopjoe.com



UPGRADE YOUR COVERAGE AT SHOPJOE.COM/REGISTER FOR UP TO 3, 4, OR 5 YEARS OF TOTAL TOOL COVERAGE

When we say we stand behind our product, we mean it! Now you can blow, mow, cut, saw or tend to any other yard task with confidence, knowing that if there is a problem with your tool within the warranty period, we will gladly solve it.

Original instructions.
© 2025 All Season Power LLC.
Snow Joe®, Sun Joe®, Aqua Joe®, Auto Joe®, and Power Joe® are registered trademarks used under license from Weather Brands LLC.
New Castle, DE 19720

***DISCLAIMER:** Generates 48V max with two 24V lithium-ion batteries. Initial no-load voltage, per fully charged battery, peaks at 24V. Nominal voltage under typical load is 21.6V

SAVE THESE INSTRUCTIONS



OPERATOR'S MANUAL

CORDLESS LAWN SCARIFIER + DETHATCHER

48V* IONMAX™ | 4.0 Ah | 15-INCH

EN

Model 24V-X2-DTS15

Form No. ASP-24V-X2-DTS15-880E-MR3

IMPORTANT! Safety Instructions

All Operators Must Read These Instructions Before Use

Always follow these safety guidelines. Failure to do so may result in serious bodily injury or death.

General Safety WARNINGS!

When using this cordless scarifier + dethatcher, basic safety precautions should always be followed to reduce the risk of fire, electric shock and personal injury.

Before using the scarifier + dethatcher, take the time to familiarize yourself with the controls, especially how to stop the machine in an emergency. The only individuals who should use the scarifier + dethatcher are those who have a thorough understanding of the instructions and who know how to operate the machine. Children should never be allowed access to the scarifier + dethatcher.

Retain this manual for future reference and reread it at the start of each dethatching session.

General Safety

- 1. Keep work area clean and well-lit** – Cluttered, dark areas invite accidents.
- 2. Replacement parts** – When servicing this unit, use only identical replacement parts.
- 3. Keep children, bystanders, and pets away** – All spectators, including pets, should be kept a safe distance away from the work area.
- 4. Dress properly** – Do not wear loose clothing or jewelry as such articles can get caught in moving parts. Wear a protective covering to contain long hair. Wearing rubber gloves and substantial non-slip footwear is recommended when working outdoors.
- 5. Prevent unintentional starting** – Ensure the switch is in the off-position before inserting battery packs, picking up or carrying the appliance. Carrying the appliance with your finger on the switch or energizing appliance that have the switch on invites accidents.
- 6. Remove the battery packs from the appliance before making any adjustments, changing accessories, or storing appliance** – Such preventive safety measures reduce the risk of starting the appliance accidentally.
- 7. Do not force the tool** – It will perform better with less likelihood of personal or mechanical injury if it is used at the rate for which it is designed.
- 8. Wear personal protective equipment** – When using this tool, wear safety glasses with side shields or goggles to provide necessary eye protection. Wear ear defenders to prevent hearing damage. Use a face or dust mask if the work environment is dusty.
- 9. Remove the batteries** – Disconnect the scarifier + dethatcher from the power supply by removing the batteries when it is not in use, before servicing it, when changing accessories, and when performing any other maintenance task.
- 10. Store idle tool indoors** – When not in use, the scarifier + dethatcher should be stored indoors in a dry and high or locked-up place out of the reach of children.
- 11. Maintain the scarifier + dethatcher with care** – Keep cutting edges sharp and clean for optimal and safest performance. Keep handles dry, clean and free from oil and grease.
- 12. Use the right tool** – Do not use the tool for any job except that for which it is intended.
- 13. Avoid dangerous environments** – Do not use the scarifier + dethatcher in rain, damp, or wet locations.
- 14. Stay alert** – Watch what you are doing. Use common sense. Do not operate the scarifier + dethatcher when you are tired or under the influence of drugs, alcohol, or other medication.
- 15. Do not overreach** – Keep proper footing and balance at all times.
- 16. Check Damaged Parts** – Before further use of the appliance, a guard or other part that is damaged should be carefully checked to determine that it will operate properly and perform its intended function. Check for alignment of moving parts, binding of moving parts, breakage of parts, mounting, and any other condition that may affect its operation. A guard or other part that is damaged should be properly repaired or replaced. Contact the All Season Power customer service center at 1-866-225-9723 for assistance.

***DISCLAIMER:** Generates 48V max with two 24V lithium-ion batteries. Initial no-load voltage, per fully charged battery, peaks at 24V. Nominal voltage under typical load is 21.6V

SAVE THESE INSTRUCTIONS

Electric Safety

⚠️ WARNING! Read all safety warnings and instructions. Failure to follow the warnings and instructions may result in electric shock, fire and/or serious injury.

1. Recharge only with the charger specified by the manufacturer. A charger that is suitable for one type of battery pack may create a risk of fire when used with another battery pack.
2. Use appliances only with specifically designated battery packs. Use of any other battery packs may create a risk of injury and fire.
3. When the battery packs are not in use, keep them away from other metal objects, like paper clips, coins, keys, nails, screws or other small metal objects, that can make a connection from one terminal to another. Shorting the battery terminals together may cause burns or a fire.
4. Under abusive conditions, liquid may be ejected from the batteries; avoid contact. If contact accidentally occurs, flush with water. If liquid contacts eyes, additionally seek medical help. Liquid ejected from the battery may cause irritation or burns.
5. Do not use a battery pack or appliance that is damaged or modified. Damaged or modified batteries may exhibit unpredictable behavior resulting in fire, explosion or risk of injury.
6. Do not expose battery packs or appliance to fire or excessive temperature. Exposure to fire or temperature above 104°F(40.5°C) may cause explosion.
7. Follow all charging instructions and do not charge the battery packs or appliance outside of the temperature range specified in the instructions. Charging improperly or at temperatures outside of the specified range may damage the battery and increase the risk of fire.
8. Do not modify or attempt to repair the appliance or the battery pack except as indicated in the instructions for use and care.

Service

1. Have servicing performed by a qualified repair person using only identical replacement parts. This will ensure that the safety of the product is maintained.
2. Do not modify or attempt to repair the appliance or the battery packs except as indicated in the instructions for use and care.

IMPORTANT!

Safety Instructions for Walk-Behind Scarifier + Dethatchers

General Operation

- Read, understand and follow all instructions on the machine and in the manual(s) before starting.
- Thoroughly inspect the area where the equipment is to be used and remove all foreign objects.

⚠️ WARNING! Foreign objects in the work area can be picked up by the scarifier + dethatcher and launched into your eyes, which can result in severe personal injury. In addition to surveying the area and removing foreign objects before beginning work, always wear safety goggles or safety glasses with side shields and, when necessary, a full face shield.

- Use the cordless scarifier + dethatcher only in daylight or good artificial light.
- Do not operate the equipment without wearing adequate outer garments. Wear protective footwear that will improve footing on slippery surfaces.
- Never attempt to make any adjustments while the motor is running.
- Never operate the scarifier + dethatcher in wet grass. Always be sure of your footing; walk, never run, with the machine.
- Do not put hands or feet near or under rotating parts.
- Exercise extreme caution when operating on or crossing gravel drives, walks or roads. Stay alert for hidden hazards or traffic.
- Exercise caution to avoid slipping or falling.
- Stop the motor and remove the batteries when leaving the operating position, before unclogging the tines and when repairing, adjusting, inspecting or performing any other maintenance on the machine.
- Take all necessary precautions when leaving the machine unattended. Stop the motor and remove batteries.
- Before cleaning, repairing or inspecting the unit, shut off the motor, remove the batteries and wait until all moving parts have come to a complete stop.
- Never operate the machine without proper guards, plates or other safety protective devices in place and in proper working order.
- Keep children and pets away.
- Do not overload the machine capacity by attempting to dethatch too deep at too fast a rate.
- Never operate the machine at high transport speeds on hard or slippery surfaces.
- Never allow bystanders near the unit when operating.
- Use only attachments and accessories approved by the manufacturer of the machine.
- Never operate the machine without good visibility or light.

- Be careful when scarifying in hard ground. The tines may catch in the ground and propel the machine forward. If this occurs, let go of the handle bars and the starting lever and do not restrain the machine.
- Use extreme caution when reversing or pulling the machine towards you.
- Stop the tines if the machine has to be tilted for transportation. Do not operate the tines when crossing surfaces other than grass, and when transporting the product to and from the working area.
- Do not tilt the machine when switching on the motor, except if the product has to be tilted for starting. In this case, do not tilt it more than absolutely necessary and lift only the part which is away from the operator.
- Do not start the motor when standing in front of the discharge opening.
- Switch on the motor carefully according to the instructions and keep your feet clear of the rotating tines.
- Never pick up or carry the machine while the motor is running.
- Stop the motor and remove the batteries:
 - before clearing blockages or unclogging the discharge opening;
 - before checking, cleaning or working on the machine;
 - after striking a foreign object. Inspect the machine for damage and make repairs before restarting and operating the machine;
 - if the machine starts to vibrate abnormally (check immediately).
 - whenever you leave the machine.
- Never use the scarifier + dethatcher without the thatch collection bag securely fitted.
- **WARNING!** Beware of sharp tines. Tines continue to rotate after the motor is switched off.

Slope Operation

Slopes are major factors related to slip and fall accidents, which can result in severe injury. Operation on all slopes requires extra caution. If you feel uneasy on a slope, do not dethatch it.

- Dethatch across the face of slopes; never dethatch slopes following an up and down traverse. Exercise extreme caution when changing direction on a slope.
- Watch for holes, ruts, bumps, rocks or other hidden objects. These may cause an unexpected slip or fall.
- Do not dethatch on wet grass or excessively steep slopes. Poor footing could cause a slip and fall accident.
- Do not dethatch near drop offs, ditches or embankments. You could lose your footing or balance.

Children Safety

Tragic accidents can occur if the operator is not alert to the presence of children. Children are often attracted to the machine and the dethatching activity. Never assume that children will remain where you last saw them.

- Keep children out of the dethatching area and under the watchful care of a responsible adult other than the operator.
- Stay alert and turn the dethatcher off if a child enters the area.
- Never let children operate the machine.
- Use extra care when approaching blind corners, shrubs, trees or other objects that may block your view of a child.

Vibration + Noise Reduction


To reduce the impact of noise and vibration emission, limit the time of operation, use low-vibration and low-noise operating modes as well as wear personal protective equipment. Take the following points into account to minimize the vibration and noise exposure risks:

- Only use the product as intended by its design and these instructions.
- Ensure that the product is in good condition and well maintained.
- Use correct application tools for the product and ensure they are in good condition.
- Keep tight grip on the handles/grip surface.
- Maintain this product in accordance with these instructions and keep it well lubricated (where appropriate).
- Plan your work schedule to spread any high vibration tool use across a number of days.

Residual Risks

Even if you are operating this product in accordance with all the safety requirements, potential risks of injury and damage remain. The following dangers can arise in connection with the structure and design of this product:

- Health defects resulting from vibration emission if the product is being used over long periods of time or not adequately managed and properly maintained.
- Injuries and damage to property due to broken application tools or the sudden impact of hidden objects during use.
- Danger of injury and property damage caused by flying objects.

 **WARNING!** This product produces an electromagnetic field during operation! This field may under some circumstances interfere with active or passive medical implants! To reduce the risk of serious or fatal injury, we recommend persons with medical implants to consult their doctor and the medical implant manufacturer before operating this product!


Battery + Charger


Safety Instructions

We pay a great deal of attention to the design of every battery pack to ensure that we supply you with batteries that are safe, durable and have a high energy density. The battery cells have a wide range of safety devices. Each individual cell is initially formatted and its electrical characteristic curves are recorded. This data is then used exclusively to be able to assemble the best possible battery packs.

Despite all the safety precautions, caution must always be exercised when handling the batteries. The following points must be obeyed at all times to ensure safe use. Safe use can only be guaranteed if undamaged cells are used. Incorrect handling of the battery pack can cause cell damage.


IMPORTANT! Analyses confirm that incorrect use and poor care of high-performance batteries are the main factors responsible for personal and/or product damage.

 **WARNING!** Use only approved replacement batteries; other batteries may damage the cordless scarifier + dethatcher and cause it to malfunction, which can lead to serious personal injury.

 **WARNING!** Do not use a battery pack or appliance that is damaged or modified. Damaged or modified battery may exhibit unpredictable behavior resulting in fire, explosion or risk of injury.

Do not modify or attempt to repair the appliance or the battery packs except as indicated in the instructions for use and care.


Have your battery packs serviced by a qualified repair person using only identical replacement parts. This will ensure that the safety of the battery packs is maintained.

 **CAUTION!** To reduce the risk of injury, charge the 24V* IONMAX™ lithium-ion battery packs only in the designated 24V* IONMAX™ lithium-ion charger. Other types of chargers present risk of fire, personal injury and damage. Do not wire the battery packs to a power supply plug or car cigarette lighter. Such misuse will permanently disable or damage the battery packs.

- **Avoid dangerous environments** – Do not charge the battery packs in rain, snow or in damp or wet locations. Do not use the battery packs or charger in the presence of explosive atmospheres (gaseous fumes, dust or flammable materials) because sparks may be generated when connecting or disconnecting the battery pack, which could lead to a fire.
- **Charge in a well-ventilated area** – Do not block the charger vents. Keep them clear to allow for proper ventilation. Do not allow smoking or open flames near a charging battery pack. Vented gases may explode.

NOTE: The safe temperature range for the battery is 41°F – 105°F (5°C – 40.5°C). Do not charge the batteries outside in freezing weather; charge it at room temperature.

- **Maintain charger cord** – When unplugging the charger, pull the plug, not the cord, from the receptacle to reduce the risk of damage to the electrical plug and cord. Never carry the charger by its cord or yank it by the cord to disconnect it from the receptacle. Keep the cord away from heat, oil and sharp edges. Make sure the cord will not be stepped on, tripped over or subjected to damage or stress when the charger is in use. Do not use the charger with a damaged cord or plug. Replace a damaged charger immediately.
- **Do not use an extension cord unless it is absolutely necessary** – Using the wrong, damaged or improperly wired extension cord poses a risk of fire and electric shock. If an extension cord must be used, plug the charger into a properly wired 16 gauge or larger extension cord with the female plug matching the male plug on the charger. Make sure that the extension cord is in good electrical condition.
- **Charger 24VCHRG-DPC is rated for 120 volt AC only** – The charger must be plugged into an appropriate receptacle.
- **Use only recommended attachments** – Use of an attachment not recommended or sold by the battery charger or battery pack manufacturer may result in risk of fire, electric shock or personal injury.
- **Unplug charger when not in use** – Make sure to disconnect battery pack from unplugged charger.

 **WARNING!** To reduce the risk of electric shock, always unplug the charger before performing any cleaning or maintenance. Do not allow water to flow into the charger. Use a Ground Fault Circuit Interrupter (GFCI) to reduce shock hazards.

- **Do not burn or incinerate battery packs** – Battery packs may explode, causing personal injury or damage. Toxic fumes and materials are created when the battery pack is burned.
- **Do not crush, drop or damage battery packs** – Do not use the battery packs or charger if they have sustained a sharp blow, been dropped, run over or have been damaged in any way (i.e. pierced with a nail, hit with a hammer, stepped on, etc.).
- **Do not disassemble** – Incorrect reassembly may pose a serious risk of electric shock, fire or exposure to toxic battery chemicals. If the batteries or charger are damaged, contact an authorized Snow Joe® + Sun Joe® dealer or call the All Season Power customer service center at 1-866-225-9723 for assistance.
- **Battery chemicals cause serious burns** – Never let a damaged battery pack contact the skin, eyes or mouth. If a damaged battery pack leaks battery chemicals, use rubber or neoprene gloves to safely dispose of it. If skin is exposed to battery fluids, wash the affected area with soap and water and rinse with vinegar. If eyes are exposed to battery chemicals, immediately flush with water for 20 minutes and seek medical attention. Remove and dispose of contaminated clothing.
- **Do not short circuit** – A battery pack will short circuit if a metal object makes a connection between the positive and negative contacts on the battery pack. Do not place a battery pack near anything that may cause a short circuit, such as paper clips, coins, keys, screws, nails and other metallic objects. A short-circuited battery pack poses a risk of fire and severe personal injury.

- **Store your battery packs and charger in a cool, dry place** – Do not store the battery packs or charger where temperatures may exceed 105°F (40.5°C), such as in direct sunlight or inside a vehicle or metal building during the summer.

Information about the batteries

1. The battery packs supplied in your cordless scarifier + dethatcher are only partially charged. The battery packs have to be charged completely before you use the tool for the first time.
2. For optimum battery performance, avoid low discharge cycles by charging the battery packs frequently.
3. Store the battery packs in a cool place, ideally at 77°F (25°C) and charged to at least 40%.
4. Lithium-ion batteries are subject to a natural aging process. The battery packs must be replaced at the latest when their capacity falls to just 80% of its capacity when new. Weakened cells in an aged battery pack are no longer capable of meeting the high power requirements needed for the proper operation of your cordless scarifier + dethatcher, and therefore pose a safety risk.
5. Do not throw the battery packs into an open fire as this poses a risk of explosion.
6. Do not ignite the battery packs or expose them to fire.
7. Do not exhaustively discharge the batteries. Exhaustive discharge will damage the battery cells. The most common cause of exhaustive discharge is lengthy storage or non-use of partially discharged battery. Stop working as soon as the performance of the battery fall noticeably or the electronic protection system triggers. Place the battery packs in storage only after they have been fully charged.
8. Protect the batteries and the tool from overloads. Overloads will quickly result in overheating and cell damage inside the battery housing even if this overheating is not apparent externally.
9. Avoid damage and shocks. Immediately replace the batteries that has been dropped from a height of more than one meter or has been exposed to violent shocks, even if the housing of the battery pack appears to be undamaged. The battery cells inside the battery may have suffered serious damage. In such instances, please read the waste disposal information for proper battery disposal.
10. If the battery packs suffer overloading and overheating, the integrated protective cutoff will switch off the equipment for safety reasons.
IMPORTANT! Do not press the switch lever bar any more if the protective cut-off has been activated. This may damage the battery packs.
11. Use only original battery packs. The use of other batteries poses a fire risk and may result in injuries or an explosion.

Information about the charger and the charging process














1. Please check the data marked on the rating plate of the battery charger. Be sure to connect the battery charger to a power supply with the voltage marked on the rating plate. Never connect it to a different mains voltage.
2. Protect the battery charger and its cord from damage. Keep the charger and its cord away from heat, oil and sharp edges. Have damaged cords repaired without delay by a qualified technician at an authorized Snow Joe® + Sun Joe® dealer or call the All Season Power customer service center at 1-866-225-9723.
3. Electrical plugs must match the outlet. Never modify the plug in any way. Do not use any adapter plugs with grounded appliances. Unmodified plugs and matching outlets will reduce the risk of electric shock.
4. Keep the battery charger, battery packs and the cordless tool out of the reach of children.
5. Do not use the supplied battery charger to charge other cordless tools.
6. During periods of heavy use, the battery packs will become warm. Allow the battery packs to cool to room temperature before recharging.
7. Do not overcharge the batteries. Do not exceed the maximum charging times. These charging times only apply to discharged batteries. Frequent connection of a charged or partially charged battery pack will result in overcharging and cell damage. Do not leave the batteries connected with the charger for days on end.
8. Never use or charge battery if you suspect that it has been more than 12 months since the last time they were charged. There is a high probability that the battery pack has already suffered dangerous damage (exhaustive discharge).
9. Charging the batteries at a temperature below 41°F (5°C) will cause chemical damage to the cells and may cause a fire.
10. Do not use batteries that have been exposed to heat during the charging process, as the battery cells may have suffered dangerous damage.
11. Do not use the battery if it suffered curvature or deformation during the charging process or exhibit other atypical symptoms (gassing, hissing, cracking, etc.).
12. Never fully discharge the battery packs (maximum recommended depth of discharge is 80%). A complete discharge of the battery pack will lead to premature aging of the battery cells.

Protection from environmental influences

1. Wear suitable work clothes. Wear safety goggles.
2. Protect your cordless tool and the battery charger from moisture and rain – Moisture and rain can cause dangerous cell damage.
3. Do not use the cordless tool or the battery charger near vapors and flammable liquids.
4. Use the battery charger and cordless tools only in dry conditions and at an ambient temperature of 41°F – 105°F (5°C – 40.5°C).
5. Do not keep the battery charger in places where the temperature is liable to reach over 105°F (40.5°C). In particular, do not leave the battery charger in a car that is parked in the sunshine.
6. Protect batteries from overheating. Overloads, overcharging and exposure to direct sunlight will result in overheating and cell damage. Never charge or work with batteries that have been overheated – replace them immediately, if possible.
7. Store the charger and your cordless tool only in dry locations with an ambient temperature of 41°F – 105°F (5°C – 40.5°C). Store your lithium-ion battery packs in a cool, dry place at a temperature of 77°F (25°C). Protect the battery packs, charger and cordless tool from humidity and direct sunlight. Only place fully charged batteries in storage (charged to at least 40%).
8. Prevent the lithium-ion battery packs from freezing. Battery packs that were stored below 32°F (0°C) for more than 60 minutes must be discarded.
9. When handling the batteries, be wary of electrostatic charge. Electrostatic discharges can damage the electronic protection system and the battery cells. Avoid electrostatic charging and never touch the battery poles.

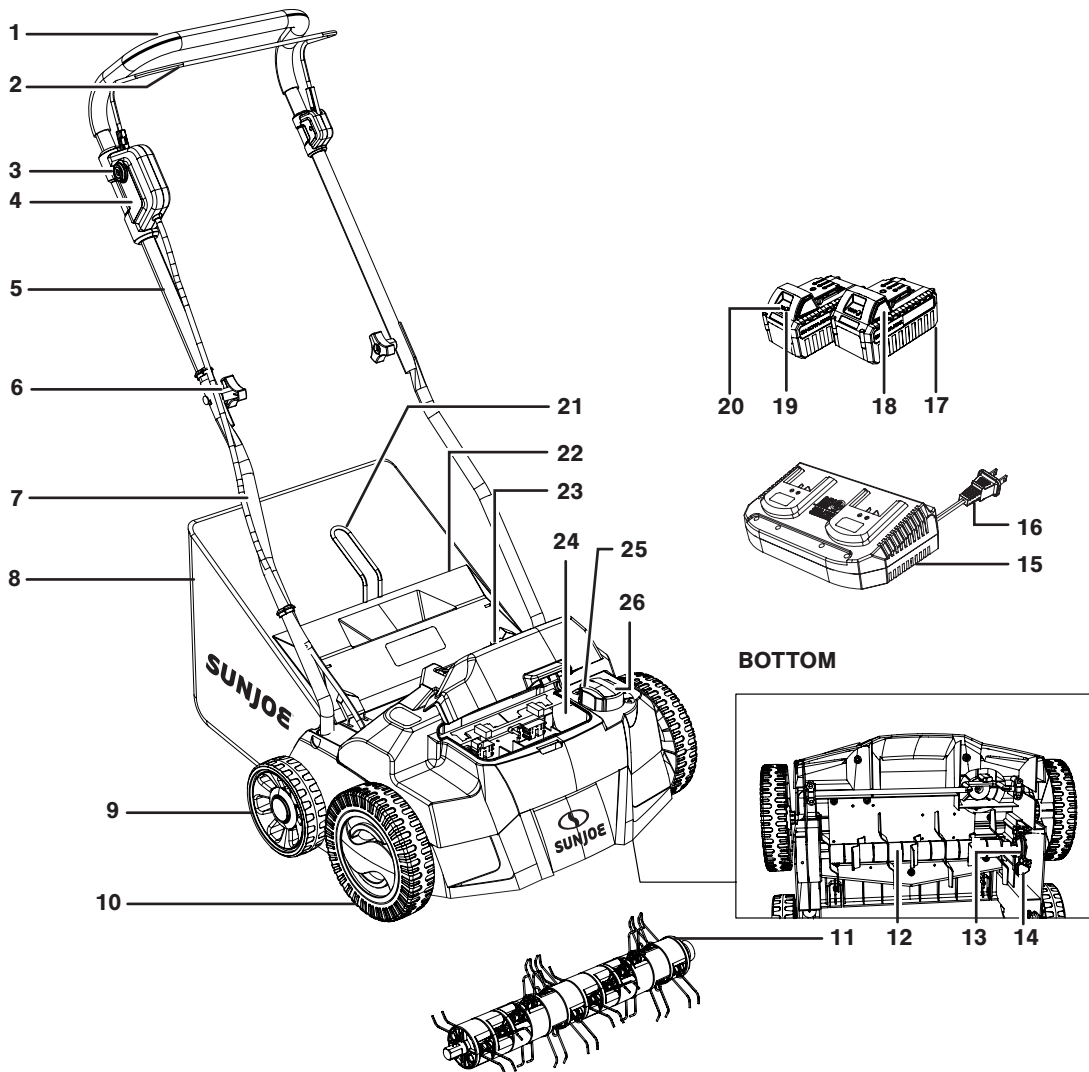
Safety Symbols

The following table depicts and describes safety symbols that may appear on this product. Read, understand and follow all instructions on the machine before attempting to assemble and operate.

Symbols	Descriptions	Symbols	Descriptions
	READ THE OPERATOR'S MANUAL(S) – Read, understand, and follow all instructions in the user manual(s) before attempting to assemble and operate.		SAFETY ALERT – Indicates a precaution, a warning, or a danger.
	WARNING! Do not expose the unit to rain or wet conditions.		WEAR EYE AND HEARING PROTECTION – For protection against injury, wear ear defenders and safety goggles.
	Wear protective gloves and non-slip footwear when using the machine and handling debris.		DANGER! Rotating blades – Keep hands and feet away from moving parts.
	Keep bystanders a safe distance away from the work area.		Thrown objects picked up by the rotating tines can cause severe injury.
	Inspect the work area prior to use and remove all objects that could be thrown by the appliance. If a hidden object is discovered while working, stop the engine and remove the object.		Use extreme CAUTION when reversing or pulling the machine towards you.
	Do not push down stairs.		Keep hands and feet away from the rotating parts.
	Indoor use only. Only use battery charger indoors.		

Know Your Cordless Scarifier + Dethatcher

Read the owner's manual and safety instructions carefully before operating the scarifier + dethatcher. Compare the illustration below to the dethatcher in order to familiarize yourself with the location of the various controls and adjustments. Save this manual for future reference and reread it prior to each dethatching session.



- | | | |
|---------------------------|--|---|
| 1. Soft grip | 11. Dethatcher cylinder | 18. Push lock button |
| 2. Switch lever bar | 12. Scarifying cylinder | 19. Push button for battery indicator |
| 3. Safety lock button | 13. Cylinder lock | 20. Battery indicator |
| 4. Switch box | 14. Lock screw | 21. Thatch collection bag handle |
| 5. Upper handle frame | 15. 24V* IONMAX™ lithium-ion charger (24VCHRG-DPC) | 22. Ejector flap |
| 6. Handle knob + bolt (2) | 16. Charger plug | 23. Battery compartment cover |
| 7. Lower handle bar (2) | 17. 24V* IONMAX™ lithium-ion battery (2 x 24VBAT) featuring exclusive EcoSharp® technology | 24. Battery compartment |
| 8. Thatch collection bag | | 25. Knob lock |
| 9. Rear wheels (2) | | 26. Scarifying/raking depth adjustment knob |
| 10. Front wheels (2) | | |

Technical Data

Motor	600 W Brushless
Battery Voltage Max*	48V D.C. (2 x 24V)
Battery Capacity	4.0 Ah
Charger Input	120V AC, 60Hz, 160 W
Charger Output	26V DC, 2.2A (2 port)
Charge Time Max	1 hr 50 min
No Load Speed	3,000 rpm
Deck Size	15 inch (38 cm)
Raking Width Max	14.2 inch (36 cm)
Scarifying Depth†	-0.375 inch – 0.2 inch (-9.5 mm – 5 mm)
Raking Depth†	-0.18 inch – 0.4 inch (-4.5 mm – 10 mm)
Depth Adjustment	5-position
Thatch Bag Capacity	10.6 gal (40 L)
Dethatcher Cylinder	24 spring steel raking tines (2 mm thick)
Scarifier Cylinder	7 slicing blades
Wheel Size	8 in. (20 cm) front 6 in. (15 cm) rear
Product Dimensions	40.5 in. (L) x 22.8 in. (W) x 43.7 in. (H) 103 cm (L) x 58 cm (W) x 111 cm (H)
Net Weight	33 lbs (15 kg)

***DISCLAIMER:** Generates 48V max with two 24V lithium-ion batteries. Initial no-load voltage, per fully charged battery, peaks at 24V. Nominal voltage under typical load is 21.6V.

† The negative scarifying/raking depth indicates that the tines/blades are raking below the horizon (i.e. penetrating the soil layer).

Unpacking

Carton Contents

- Scarifier + dethatcher
- Handle knob and bolt (2)
- Upper handle frame
- Thatch collection bag
- Cable clip (2)
- Scarifying cylinder (Pre-assembled)
- Dethatcher cylinder
- 24V* IONMAX™ lithium-ion batteries (2)
- 24V* IONMAX™ lithium-ion battery charger
- Manual

1. Carefully remove the cordless scarifier + dethatcher and check to see that all of the above items are supplied.
2. Inspect the product carefully to make sure no breakage or damage occurred during shipping. If you find damaged or missing parts, DO NOT return the unit to the store. Please call the All Season Power customer service center at 1-866-225-9723.

NOTE: Do not discard the shipping carton and packaging material until you are ready to use the cordless scarifier + dethatcher. The packaging is made of recyclable materials. Properly dispose of these materials in accordance with local regulations or save the packaging for long-term product storage.

IMPORTANT! The equipment and packaging material are not toys. Do not let children play with plastic bags, foils, or small parts. These items can be swallowed and pose a suffocation risk!

Battery Pack Operation

The equipment is powered by 2 lithium-ion batteries. The battery packs are completely sealed and maintenance free.





⚠ WARNING! The scarifier + dethatcher can only be powered by both of the batteries together. Use one battery cannot provide sufficient power to the tool. Make sure to use two batteries of the same voltage and the same capacity. Using the tool with batteries of different capacity will cause damage to the batteries.

⚠ WARNING! Before first use, the batteries require 1 hr 50 min charge time to be fully charged. When the batteries are at low capacity, recharge for 1 hr 50 min again before resuming operation.

Battery Charge Level Indicator

The battery packs are equipped with a push button for checking the charge level. Simply press the push button to read off the battery charge level from the LEDs of the battery indicator:

- All 3 level monitoring LEDs are lit: Battery charge level is high.
- 2 level monitoring LEDs are lit: Battery charge level is decreasing. Stop work as soon as possible.
- 1 level monitoring LED is lit: Battery is flat. Stop work IMMEDIATELY and charge the battery. Otherwise the battery's service life will be greatly shortened.

Lights	Light Indicators
	Charge level button
	The battery is at 30% capacity and requires charging
	The battery is at 60% capacity and requires charging soon
	The battery is at full capacity

NOTE: If the charge level button does not appear to be working, connect to the charger and charge as needed.

NOTE: Immediately after using the battery packs, the charge level button may display a lower charge than it will if checked a few minutes later. The battery cells “recover” some of their charge after resting.

Charger Operation

⚠ WARNING! Charge only 24V* IONMAX™ lithium-ion battery packs with its compatible 24V* IONMAX™ lithium-ion charger. Other types of batteries may cause personal injury and damage.

To reduce the risk of electric shock, do not allow water to flow into the charger's AC/DC plug.

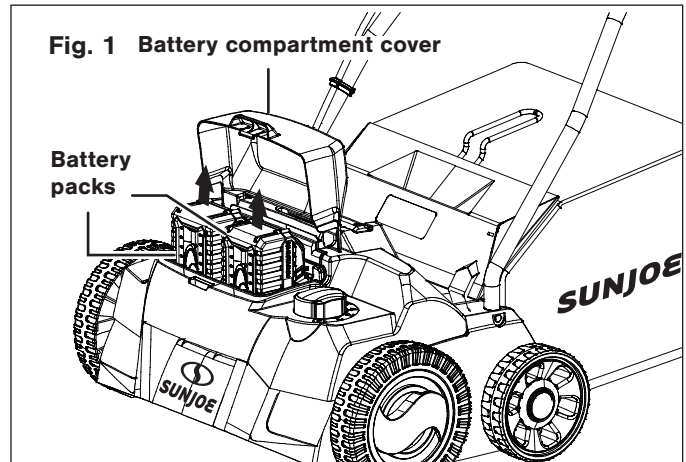
When to Charge the IONMAX™ 24VBAT Lithium-iON Batteries

NOTE: The IONMAX™ 24VBAT lithium-iON battery packs do not develop a "memory" when charged after only a partial discharge. Therefore, it is not necessary to run down the battery packs before charging them again.

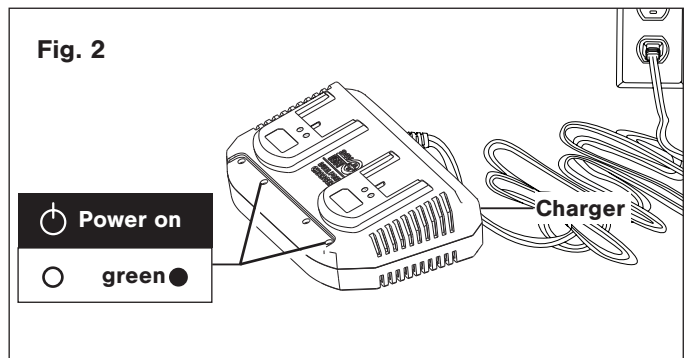
- Use the battery indicator lights to determine when to charge your IONMAX™ 24VBAT lithium-iON battery packs.
- You can "top-off" your battery packs' charge before starting a big job or after a long day of use.

Charging the Battery

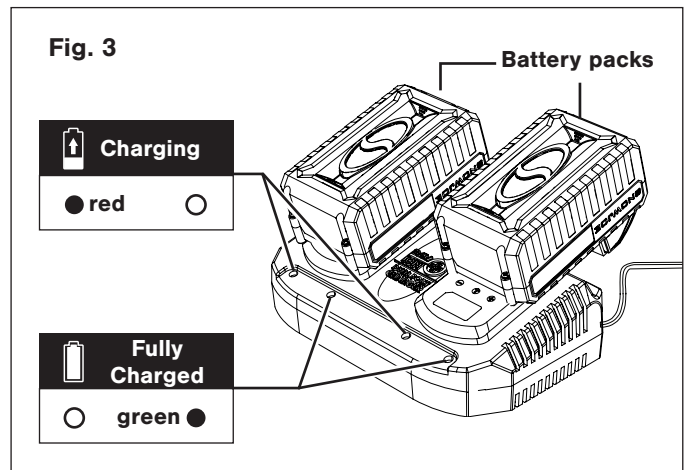
1. Open the battery compartment cover, and push the push lock buttons on the batteries to pull the battery packs out from the battery compartment (Fig. 1).



2. Check that the mains voltage is the same as that marked on the rating plate of the battery charger. Then, insert the charger's plug into the electrical wall outlet. When you plug in the charger, two green lights will illuminate and stay green (Fig. 2).



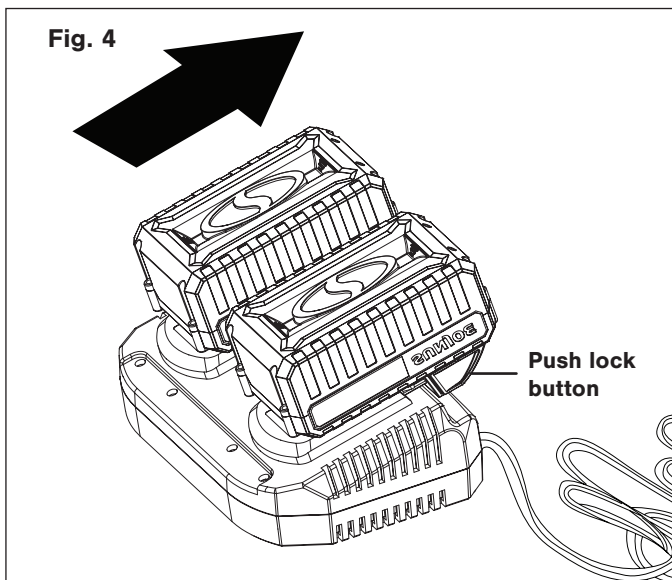
3. Place the battery packs into the charger by sliding the packs to lock them into position. When you insert the batteries into the charger, the two green lights will go off, and the red lights will illuminate to indicate that the batteries are charging (Fig. 3).



- When the charger lights turn green, the batteries are fully charged (Fig. 3).

NOTE: A fully discharged pack with an internal temperature in the normal range will fully charge in 1 hr 50 min (between 32°F/0°C and 113°F/45°C).

- If the light indicators do not come on at all, check that the battery packs are fully seated into the bay. Remove the battery packs and reinsert. If the problem persists, contact an authorized Snow Joe® + Sun Joe® dealer or call the All Season Power customer service center at 1-866-225-9723 for assistance.
- When charging is complete, remove the batteries from the charger by pressing the push lock buttons and sliding the batteries backward to unlock them from the charger (Fig. 4).



CAUTION! FIRE HAZARD. When removing the batteries from the charger, be sure to unplug the charger from the outlet first, then remove the batteries from the charger.

WARNING! This charger does not automatically turn off when the batteries are fully charged. Please take care not to leave the batteries in the charger. Switch off or unplug the charger at the mains when charging is complete.

- Timely recharging of the batteries will help prolong the batteries' life. You must recharge the battery packs when you notice a drop in the equipment's power.

IMPORTANT! Never allow the battery packs to become fully discharged as this will cause irreversible damage to the batteries.

Charging a Hot or Cold Battery Pack

The green indicator lights on the charger base indicates that the battery packs' temperatures are outside the charging range. Once the packs are within the acceptable range, normal charging will take place and the red light will be continuous. Hot or cold battery packs may take longer to charge.

Lithium-Ion Charging Status			
Battery Pack Temperature	Charger Base Indicator Light	Battery Pack Indicator Light	Charging Status
Too hot	Green	Flashing together	Not charging
Normal range	Red	Flashing one by one	Normal charging
Too cold	Green	Flashing together	Not charging

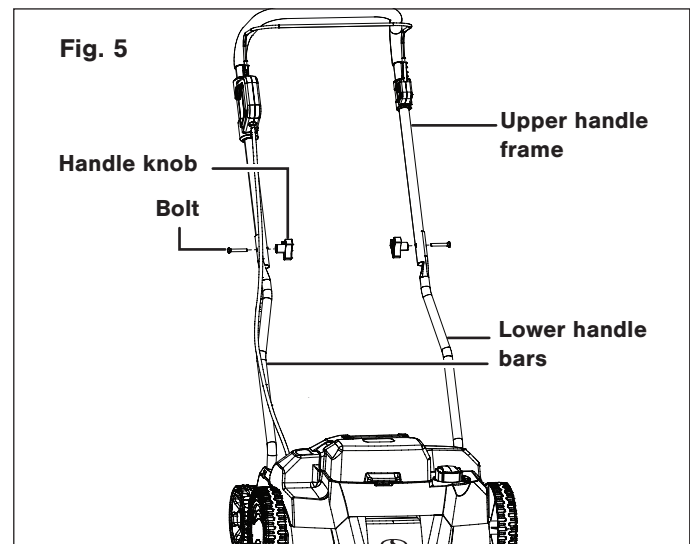
Assembly

WARNING! Do not insert the batteries until assembly is complete. Failure to comply could result in accidental starting and severe personal injury.

Always wear gloves during assembly.

Connecting the Handle

- Fit the upper handle frame on the lower handle bars, and secure with 2 sets of handle knob and bolt (Fig. 5).



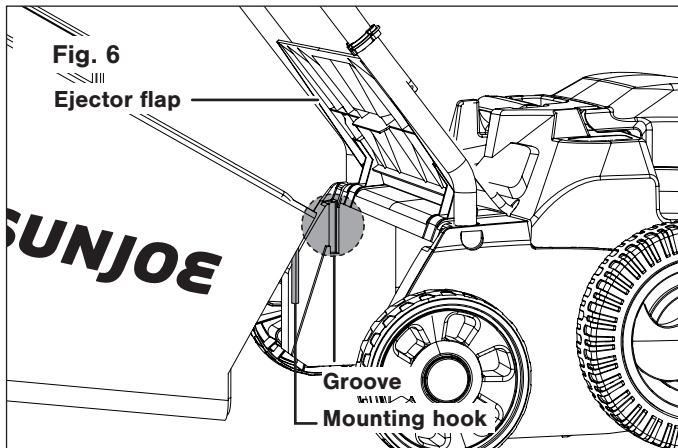
- Clip the cable clips on the handle, and insert the cable in the cable clips.

Thatch Collection Bag Assembly

⚠️ WARNING! Do not attempt to use the product without the thatch collection bag attached. This could pose a danger of flying debris.

⚠️ WARNING! The product must be switched off and the cutting device must have stopped rotating before you attach or empty the thatch collection bag.

1. Lift the ejector flap, and mount the hooks on both sides of the thatch collection bag on the grooves on both sides inside the housing (Fig. 6).



Removing + Emptying the Thatch Collection Bag

Empty the thatch collection bag frequently during use. Do not wait until it is completely full. We recommend emptying it when it is half full.

NOTE: A full thatch collection bag will reduce the performance of this product.

1. Lift the thatch ejector flap and pull the thatch collection bag off the mounting hooks to remove it.
2. Empty the bag's contents into a suitable waste receptacle. Mount the bag back into position before resuming work.

Intended Use

1. This scarifier + dethatcher is designated with a 600 watt motor. Depending on the fitted cutting device, this machine is either intended for scarifying and removing thatch from lawns or raking in domestic and hobby gardens.
2. When used as a scarifier, this machine works by scratching through and between the grass with specially adapted prongs that collect and remove any unwanted parts from the lawn while leaving the grass blades intact. At the same time the machine scarifies the ground resulting in a better aeration.
3. When used as a dethatcher the fine needles will scratch the surface of the lawn while simultaneously picking up light debris for better oxygen absorption, airing and drainage.

4. This machine is not to be used in wet weather conditions and may not be used to mow dry, wet or unusually high grass, e.g., pasture grass or for shredding leaves.
5. This machine is intended for private domestic use only, not for any commercial trade use. It must not be used for any purposes other than those described.

Operation

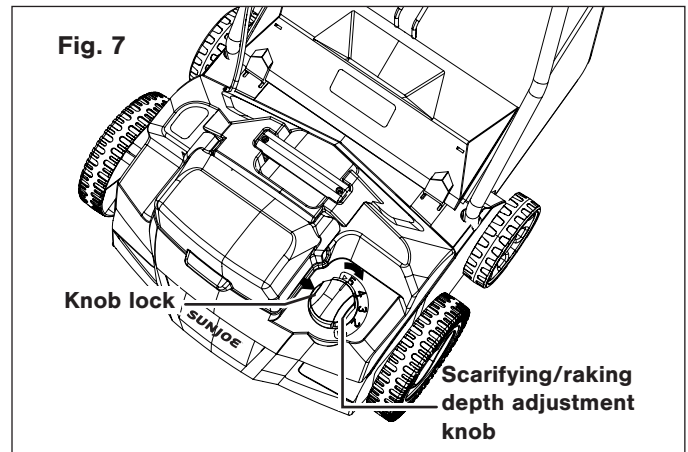
Scarifying/Raking Depth Adjustment

⚠️ WARNING! Turn off the unit and remove the batteries before adjusting the tine settings.

Adjust the depth according to the needs of your lawn. The most suitable depth depends on the kind of lawn and the actual height of the grass.

The scarifying/raking depth is controlled by one system. Follow the instructions below to adjust the scarifying or raking depth.

1. To adjust the scarifying/raking depth, push inside the knob lock and turn the scarifying/raking depth adjustment knob at the same time. Rotate the knob until the indicator on the knob aligned with the mark around the knob (1/2/3/4/5) (Fig. 7).



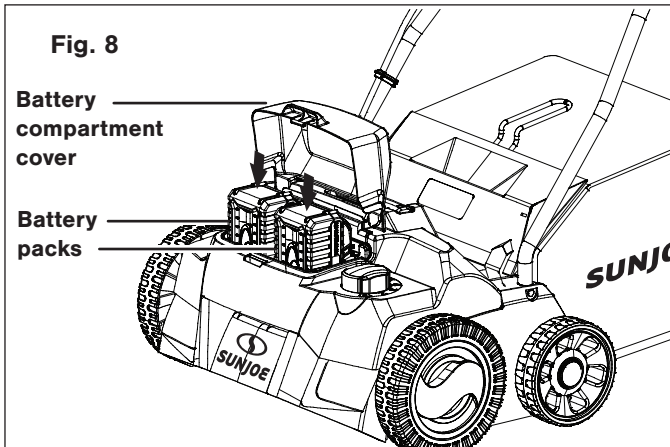
2. This scarifier + dethatcher is equipped with 5 scarifying/ raking depths. When assembled with different cylinder, each setting indicates different depth. Check the table below for details about each setting.

Position	Scarifying Depth	Raking Depth
1	5 mm	10 mm
2	-0.5 mm	4.5 mm
3	-6 mm	-1 mm
4	-8.5 mm	-3.5 mm
5	-9.5 mm	-4.5 mm

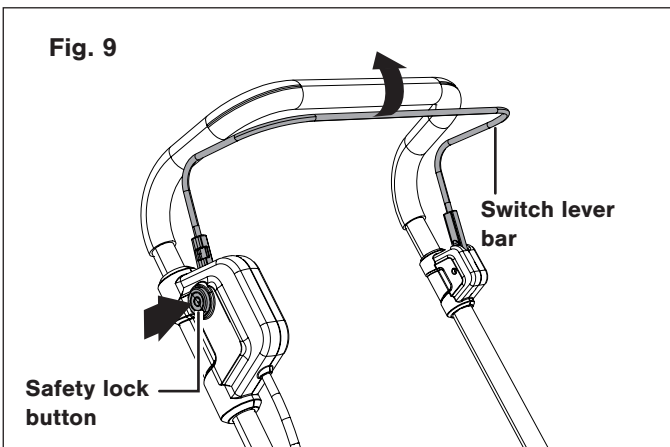
Starting + Stopping

⚠️ WARNING! Before switching on the lawn scarifier + dethatcher, make sure that it is not in contact with any foreign objects. Keep your feet and hands a safe distance away from the rotating tines and the ejector opening. Failure to comply with these warnings can result in severe personal injury.

1. Flip the battery compartment cover up, insert both the batteries in until they click into place (Fig. 8). Close the battery compartment cover.



2. To start, press and hold the safety lock button while pulling the switch lever bar toward you. Once the machine powers on, release the safety lock button and proceed with operation (Fig. 9).
3. To stop the lawn scarifier + dethatcher, release the switch lever bar.



⚠️ WARNING! The tine cylinder continues to run for a brief period after the unit has been switched off. Do not tilt or carry the unit while the motor is still running and do not touch the cylinder while it is still rotating. Failure to comply could result in severe personal injury.

Overload Protection

The overload protection will be activated in the following circumstances:

1. A build up of scarified material around the cutting device.
2. If the material scarified is larger than the motor capacity.
3. Where there is too much resistance against the cutting device.

When the circuit breaker has been activated, switch off the product and remove the batteries.

Let the product cool down for 5 minutes and eliminate the cause before using the product again.

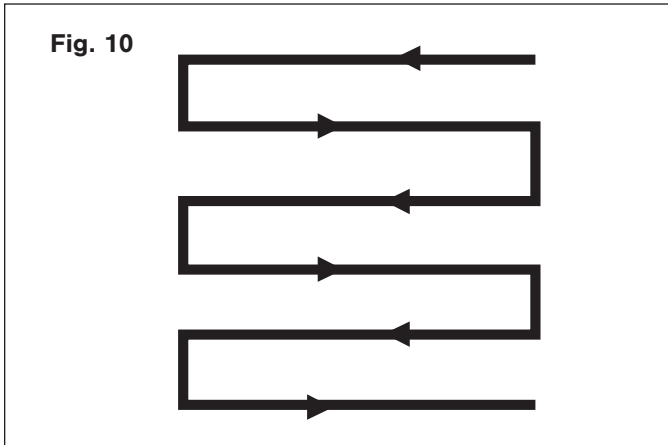
General Operation

⚠️ WARNING! If the product strikes a foreign object, switch the product off, remove the batteries and let it cool down. Inspect the product thoroughly for damage. Have any damage repaired before restarting.

⚠️ WARNING! Extensive vibration of the product during operation is an indication of damage. The product should be promptly inspected and repaired.

- Check the machine, and accessories for damage before each use. Do not use the machine if it is damaged or shows wear.
- Double check that accessories are properly fixed.
- Push the machine forward by its handle. Keep the handle dry to ensure safe support.
- Ensure that the air vents are always unobstructed and clear. Clean them if necessary with a soft brush. Blocked air vents may lead to overheating and damage the product.
- Switch the machine off immediately if you are disturbed while working by other people entering the working area. Always let the machine come to complete stop.
- Do not overwork yourself. Take regular breaks to ensure you can concentrate on the work and have full control over the machine.
- Mow the lawn before working and fertilize afterwards.
- Make sure that the lawn is clear of stones, sticks, wire, or other objects that could damage the machine or its motor.
- Select the suitable scarifying/raking depth for the actual grass height.
- Do not work with this machine on a wet lawn because it tends to stick to the underbody of the machine, preventing the proper discharge of collected material, and it could also cause you to slip and fall.
- Slowly push the machine forward. Move the machine at appropriate speed. Do not move it too fast to prevent the discharge from getting blocked and engine from useless overloading.

- Work in slight overlapping rows. The most effective pattern for scarifying/raking lawns is straight lines along one of the sides. This will keep the rows even and ensures that all the lawn is scarified/raked without missing any spots (Fig. 10).



- Circle around flower beds. When reaching a flower bed in the middle of the lawn, make a row or two around the circumference of the bed.
- Pay special attention when changing direction.

Scarifying

Consider the weather when scarifying. Scarify the lawn with an increased depth setting during spring time between April and May as the lawn is better able to recover during this season. During a wet summer scarify again in late summer with a decreased depth setting. Do not scarify during periods of hot weather condition.

Raking

In order for a healthy lawn to develop in the spring, it is necessary for greater amounts of air to penetrate the area around the roots of the grass. We recommend aerating the lawn every 4 – 6 weeks depending on the state of your lawn.

Maintenance

⚠️ WARNING! Before carrying out any repairs or servicing work, you must ensure that the batteries have been removed from the compartment. Repairs and maintenance work other than described within this instruction manual should be performed only by qualified specialist!

Service + Storage

To ensure long and reliable service, carry out the following maintenance regularly. Servicing and cleaning work on the machine and the removal of the guards may only be carried out after the motor has been switched off and the batteries been removed from the compartment.

- Keep all nuts, bolts and screws tight to be sure the product is in a safe working condition.
- Allow the product to cool before storing in any enclosure.

- Check the thatch collection bag frequently for wear or deterioration.
- Examine the product regularly and replace worn or damaged parts for safety.
- Check that covers and guards are undamaged and correctly fitted. Carry out necessary maintenance or repairs before using the machine.
- If the device should happen to fail despite the care taken in manufacturing and testing, repair should be carried out by an authorized repair facility.
- Do not clean the machine while it is running.
- Ensure that all the fastening elements (screws, nuts, etc.) are tight at all times so that you can safely work with the machine.
- Check the machine frequently for signs of wear. Replace worn or damaged parts.
- Store your machine in a dry place. To ensure a long service life all screws and bolts should be cleaned and then oiled.
- Clean the machine with a brush or cloth. Do not use any solvents or water to remove dirt.
- The components that are subject to most wear are the scarifying cylinder and the raking cylinder. You should therefore check the condition of the cylinders and the mounting at regular intervals.
 - If the cylinders are worn or blunt they must be replaced immediately.
 - If the machine starts to suffer from excessive vibrations, this means that the cutting device has not been balanced correctly or has suffered deformation due to impacts. In this case it must be repaired or replaced.

Battery + Charger Off-Season Storage

1. Do not expose your battery packs or charger to water, rain or allow them to get wet. This could permanently damage the charger and the battery packs. Do not use oil or solvents to clean or lubricate your battery packs as the plastic casing can become brittle and crack, causing a serious risk of injury.
2. Store the battery packs and charger at room temperature away from moisture. Do not store in damp locations where corrosion of terminals may occur. As with other battery pack types, permanent capacity loss can result if the pack is stored for long periods of time at high temperatures (over 120°F/49°C).
3. 24V* IONMAX™ lithium-ion battery packs maintain their charge during storage longer than other battery pack types. As a general practice, it is best to unplug the battery charger and remove the battery packs when they are not in use. Recharge the battery packs every 6 months to 50% capacity (2 lights on) during off-season storage to maintain optimal battery performance.

Replacing/Changing Cutting Device

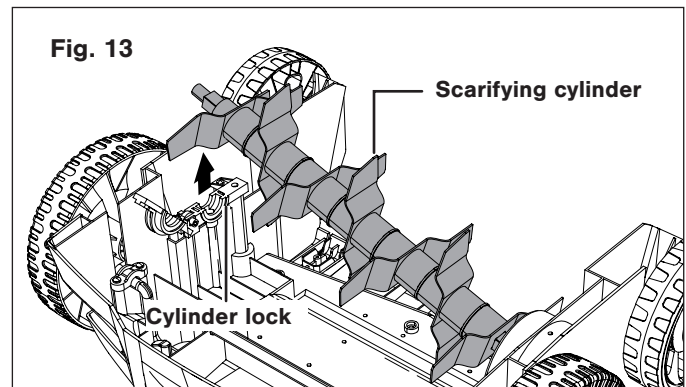
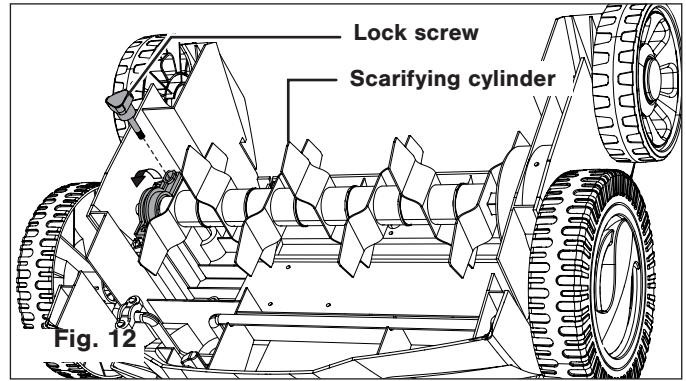
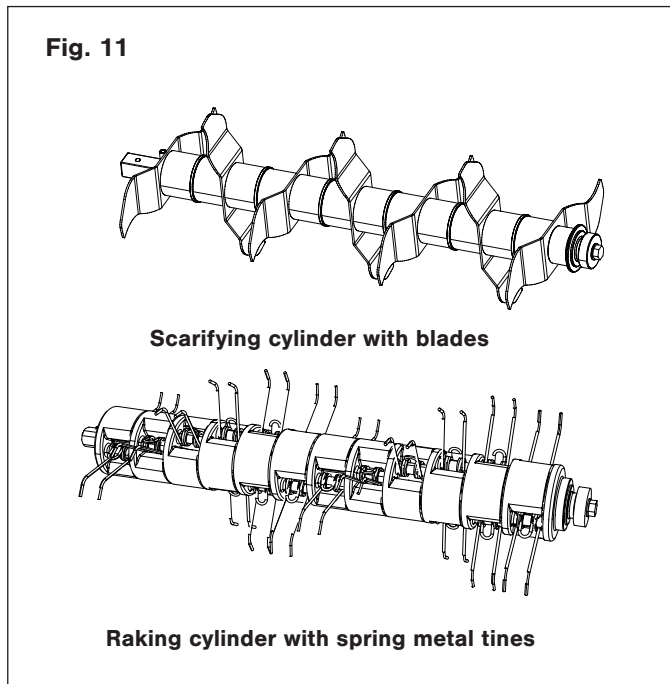
⚠️ WARNING! Always switch the machine off, remove the batteries and let it cool down before changing/replacing the cutting device.

⚠️ WARNING! Cutting devices are very sharp and become hot during use. Handle them carefully.

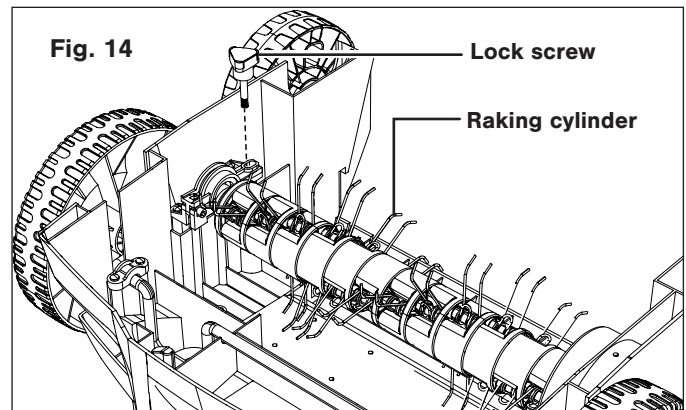
⚠️ WARNING! Wear safety gloves when handling cutting devices in order to avoid injuries like burns and cuts.

⚠️ WARNING! Make sure all bolts are completely tightened before operating the machine. Don't operate the machine if any bolts are missing, loose, or damaged.

The product has two functions, scarifying and raking. The scarifying cylinder is pre-assembled on the machine. The raking cylinder is included in the supply box. The cylinder can be changed according to the application (Fig. 11).



4. Insert the raking cylinder and press it into the holder. Refasten the lock and fix the assembly with the lock screw (Fig. 14).



5. Turn the lawn scarifier + dethatcher back on its wheels. Attach the thatch collection back and resume operation.

NOTE: If you have any questions, please call the All Season Power customer service center at 1-866-225-9723 for assistance.

After Use

1. Switch the machine off, remove the batteries and let it cool down.
2. Check, clean and store the machine as described previously.

⚠️ WARNING! Before performing any maintenance, always remove the batteries and wait until the tine cylinder comes to a complete stop. Wear protective gloves when handling the tines.

1. Remove the thatch collection bag.
2. Place the machine upside down on a flat stable surface to access the underbody.
3. Remove the lock screw and open the lock used to secure the scarifying cylinder. Lift the scarifying cylinder up to remove it from the housing (Figs. 12 – 13).

Thatch Collection Bag

1. Inspect the thatch collection bag before each use. Do not use it if you find any damage.
2. Clean the thatch collection bag after operation. Let the thatch collection bag dry thoroughly before storing to avoid mildew.

Transportation

1. Switch the product off and remove the batteries before transporting it anywhere.
2. Adjust the scarifying/raking depth to the transportation stage (refer to “SCARIFYING/RAKING DEPTH ADJUSTMENT” on page 12).
3. Always transport the product by its handle.
4. Protect the product from any heavy impact or strong vibrations which may occur during transportation in vehicles.
5. Secure the product to prevent it from slipping or falling over.

Battery Caution + Disposal

Always dispose of your battery packs according to federal, state, and local regulations. Contact a recycling agency in your area for recycling locations.

⚠ CAUTION! Even discharged battery packs contain some energy. Before disposing, use electrical tape to cover the terminals to prevent the battery pack from shorting, which could cause a fire or explosion.

⚠ WARNING! To reduce the risk of injury or explosion, never burn or incinerate a battery pack even if it is damaged, dead, or completely discharged. When burned, toxic fumes and materials are emitted into the surrounding atmosphere.

1. Batteries vary according to device. Consult your manual for specific information.
2. Install only new batteries of the same type in your product (where applicable).
3. Failure to insert batteries in the correct polarity, as indicated in the battery compartment or manual, may shorten the life of the batteries or cause batteries to leak.
4. Do not mix old and new batteries.
5. Do not mix Alkaline, Standard (Carbon-Zinc), or Rechargeable (Nickel Cadmium, Nickel Metal Hydride, or Lithium-Ion) batteries.
6. Do not dispose of batteries in fire.
7. Batteries should be recycled or disposed of as per state and local guidelines.

Service and Support

If your 24V-X2-DTS15 cordless scarifier + dethatcher requires service or maintenance, please call 1-866-225-9723 for assistance.

Model and Serial Numbers

When contacting the company, reordering parts or arranging service from an authorized dealer, you will need to provide the model and serial numbers, which can be found on the decal located on the housing of the unit. Copy these numbers into the space provided below.

Record the following numbers from the housing or handle of your new product:																			
Model #:																			
2	4	V	-	X	2	-	D	T	S	1	5								
Serial #:																			

24VCHRG-DPC

Federal Communications Commission (FCC)

⚠️ WARNING! Any changes or modifications to this unit not expressly approved by the party responsible for compliance could void the user's authority to operate the equipment.

Class B device:

NOTE: This equipment has been tested and found to comply with the limits for a Class B digital device, pursuant to part 15 of the FCC Rules.

These limits are designed to provide reasonable protection against harmful interference in a residential installation.

This equipment generates, uses and can radiate radio frequency energy and, if not installed and used in accordance with the instructions, may cause harmful interference to radio communications.

However, there is no guarantee that interference will not occur in a particular installation.

If this equipment does cause harmful interference to radio or television reception, which can be determined by turning the equipment off and on, the user is encouraged to try to correct the interference by one or more of the following measures:

- Reorient or relocate the receiving antenna.
- Increase the separation between the equipment and receiver.
- Connect the equipment into an outlet on a circuit different from that to which the receiver is connected.
- Consult the dealer or an experienced radio/TV technician for help.

Troubleshooting

⚠️ WARNING! Only perform the steps described within these instructions!

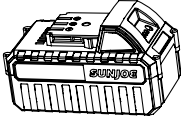
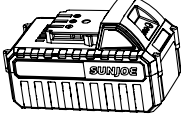

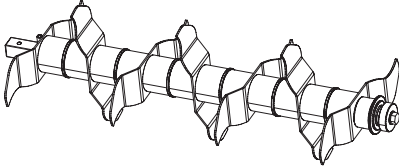
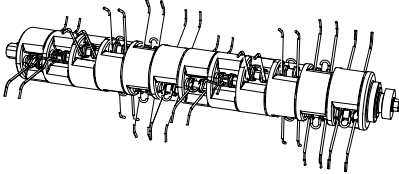
All further inspection, maintenance and repair work must be performed by an authorized service center or a similarly qualified specialist if you cannot solve the problem yourself!

Suspected malfunctions, disturbances or damages are often due to causes that the user can fix themselves. Follow the below troubleshooting guidelines when checking the unit. In most cases, the problem can be resolved quickly and the dethatcher can be restored to proper working order.

Problem	Possible Cause	Solution
Motor does not start	<ul style="list-style-type: none"> a) Batteries are not inserted properly b) Batteries are flat c) Other electrical defect to the product d) Safety lock button is not pressed 	<ul style="list-style-type: none"> a) Reinsert the batteries b) Charge the batteries c) Contact an authorized service agent d) Press safety lock button first, then the start/stop lever
Product does not reach full power	<ul style="list-style-type: none"> a) Batteries are almost flat b) Air vents are blocked 	<ul style="list-style-type: none"> a) Charge the batteries b) Clean the air vents
Unsatisfying result	<ul style="list-style-type: none"> a) Cutting device worn b) Scarified material exceeds capacity c) Scarifying depth is incorrect 	<ul style="list-style-type: none"> a) Replace the tine cylinder (see page 15) b) Only scarify materials according to capacity of the product c) Adjust depth

Optional Accessories

⚠ WARNING! ALWAYS use only authorized Snow Joe® + Sun Joe® replacement parts and accessories. NEVER use replacement parts or accessories that are not intended for use with this cordless scarifier + dethatcher. Contact All Season Power if you are unsure whether it is safe to use a particular replacement part or accessory with your cordless scarifier + dethatcher. The use of any other attachment or accessory can be dangerous and could cause injury or mechanical damage.

Accessories	Item	Model
<p>①</p> 	24V* IONMAX™ 4.0 Ah Lithium-Ion Battery	24VBAT
<p>②</p> 	24V* IONMAX™ 5.0 Ah Lithium-Ion Battery	24VBAT-XR
<p>③</p> 	24V* IONMAX™ Lithium-Ion Battery Quick Charger	24VCHRG-QC
<p>④</p> 	Replacement Scarifier Cylinder	24V-X2-DTS15-SCRF
<p>⑤</p> 	Replacement Raking Cylinder	24V-X2-DTS15-RAK

NOTE: Accessories are subject to change without any obligation on the part of All Season Power to provide notice of such changes. Accessories can be ordered online at shopjoe.com or via phone by contacting the All Season Power customer service center at 1-866-225-9723.



ALL SEASON POWER CUSTOMER PROMISE

ABOVE ALL ELSE, All Season Power LLC (“All Season Power”) is dedicated to you, our customer. We strive to make your experience as pleasant as possible. Unfortunately, there are times when a Snow Joe®, Sun Joe®, Aqua Joe®, or Auto Joe® product (“Product”) does not work or breaks under normal operating conditions. We think it’s important that you know what you can expect from us. That’s why we have a Limited Warranty (“Warranty”) for our Products.

OUR WARRANTY:

All Season Power warrants new, genuine, powered and non-powered Products to be free from defects in material or workmanship when used for ordinary household use for a period of two years from the date of delivery of the Product to the original, end-user purchaser when purchased from All Season Power or from one of All Season Power’s authorized sellers with proof of purchase. Because All Season Power is unable to control the quality of its Products sold by unauthorized sellers, unless otherwise prohibited by law, this Warranty does not cover Products purchased from unauthorized sellers. If your Product does not work or there’s an issue with a specific part that is covered by the terms of this Warranty, All Season Power will elect to either (1) send you a free replacement part, (2) replace the Product with a new or comparable product at no charge, or (3) repair the Product. How cool is that!

This Warranty gives you specific legal rights, and you may also have other rights which vary from State to State.

PRODUCT REGISTRATION:

All Season Power strongly encourages you to register your Product. You can register online at shopjoe.com/register, or by printing and mailing in a registration card available online from our website, or by calling our Customer Service Department at **1-866-225-9723**, or by e-mailing us at help@allseasonpower.com. Failure to register your Product will not diminish your warranty rights. However, registering your Product will allow All Season Power to better serve you with any of your customer service needs.

WHO CAN SEEK LIMITED WARRANTY COVERAGE:

This Warranty is extended by All Season Power to the original purchaser and original owner of the Product.

WHAT IS NOT COVERED?

This Warranty does not apply if the Product has been used commercially or for non-household or rental applications. This Warranty also does not apply if the Product was purchased from an unauthorized seller. This Warranty also does not cover cosmetic changes that do not affect performance. Wearing parts like belts, augers, chains and tines are not covered under this Warranty, and can be purchased at shopjoe.com/support or by calling **1-866-225-9723**.



Keep your warranty intact. Only use **CERTIFIED AUTHENTIC** Snow Joe®, Sun Joe®, Aqua Joe® + Auto Joe® replacement parts + accessories. Use of any other parts + accessories will void the warranty. Genuine parts + accessories can be found and purchased online at shopjoe.com/support by entering the model number of your product.



ES

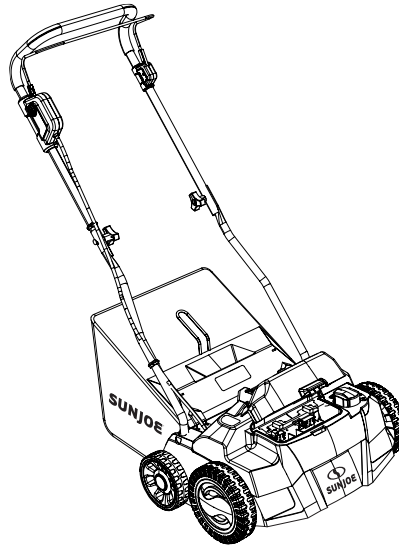
ESCARIFICADORA + AIREADORA INALÁMBRICA DE JARDÍN

IONMAX™ de 48 V* | 4.0 Ah | 38 CM

MANUAL DEL OPERADOR

Modelo 24V-X2-DTS15

Forma No. ASP-24V-X2-DTS15-880S-MR3(S)



¡GRACIAS POR TU COMPRA!

ESCANEA REGISTRA EN LÍNEA HOY



- ✓ ACTIVA TU **GARANTÍA DE 2 AÑOS**
- ✓ RECIBE **90 DÍAS DE COBERTURA ADICIONAL**
- ✓ VISITA **SHOPJOE.COM/REGISTER**

No registrar la compra de tu producto no disminuirá tus derechos de garantía. Para obtener más información, visita shopjoe.com.



ACTUALIZA TU COBERTURA EN SHOPJOE.COM/REGISTER PARA OBTENER HASTA 3, 4 O 5 AÑOS DE COBERTURA TOTAL DEL HERRAMIENTA

Quando decimos que respaldamos nuestro producto, ¡lo decimos en serio! Ahora puedes soplar, segar, cortar, serrar o realizar cualquier otra tarea en el jardín con confianza, sabiendo que si hay algún problema con tu herramienta dentro del periodo de garantía, lo resolveremos con gusto.

¿TU EXPERIENCIA CON SNOW JOE TE HA DEJADO SONRIENDO? 😊

¡CUÉNTALES A TUS AMIGOS Y ETIQUÉTANOS!

¡Nos encanta recibir tus comentarios! Comparte tu experiencia escribiendo comentarios y reseñas en shopjoe.com, ¡o conéctate con nosotros en redes sociales!



@SNOWJOECO

#GOWITHJOE

¿O ALGO TE HA DEJADO MENOS SATISFECHO? 😞

¡LO SENTIMOS POR ESO!

Nuestro amable equipo de servicio al cliente está listo para ayudarte con cualquier problema que puedas tener, de Lunes a Domingo 9AM a 5PM EST

LLÁMANOS, ENVÍANOS UN CORREO ELECTRÓNICO, CHATEA CON NOSOTROS

✉️ HELP@SHOPJOE.COM
Respuesta más rápida

📞 SHOPJOE.COM 📞 1-866-225-9723

Instrucciones originales.
© 2025 All Season Power LLC.
Snow Joe®, Sun Joe®, Aqua Joe®, Auto Joe® y Power Joe® son marcas registradas utilizadas bajo licencia de Weather Brands LLC.
New Castle, DE 19720

***DESCARGO DE RESPONSABILIDAD:** Genera un máximo de 48 V con dos baterías de iones de litio de 24 V. El voltaje inicial sin carga, para cada batería completamente cargada, alcanza un máximo de 24 V. El voltaje nominal bajo una carga típica es de 21.6 V.

GUARDE ESTAS INSTRUCCIONES

ESCARIFICADORA + AIREADORA INALÁMBRICA DE JARDÍN

IONMAX™ de 48 V* | 4.0 Ah | 38 CM

MANUAL DEL OPERADOR

Modelo 24V-X2-DTS15

Forma No. ASP-24V-X2-DTS15-880S-MR3

¡IMPORTANTE!

Instrucciones de seguridad

Todos los operadores deberán leer estas instrucciones antes del uso

Siempre obedezca estas normas de seguridad. No hacerlo podría causar lesiones personales severas o incluso la muerte.

¡ADVERTENCIAS generales de seguridad!

Usted debe tomar precauciones básicas de seguridad siempre que use esta escarificadora + aireadora inalámbrica para reducir riesgos de incendio, choque eléctrico y lesiones personales.

Antes de usar la escarificadora + aireadora, tómese el tiempo para familiarizarse con los controles, sobre todo con la forma de detener la máquina en caso de emergencia. Las únicas personas que deben usar la escarificadora + aireadora son aquellas que tengan un entendimiento completo de las instrucciones y sepan cómo operar la máquina. Los niños nunca deben tener acceso a la escarificadora + aireadora.

Conserve este manual para futuras referencias y vuélvalo a leer al inicio de cada sesión de aireado.

Seguridad general


- 1. Mantenga su área de trabajo limpia y bien iluminada:** las áreas de trabajo abarrotadas u oscuras pueden provocar accidentes.
- 2. Partes de repuesto:** al repararla, utilice solamente partes de repuesto idénticas.
- 3. Mantenga alejados a espectadores, niños y mascotas:** todos los espectadores y mascotas deberán estar a una distancia segura del área de trabajo.
- 4. Vístase adecuadamente:** no use vestimenta suelta o joyería, ya que dichos objetos pueden engancharse en las partes móviles. Utilice una cubierta protectora para contener cabello largo. Se recomienda usar guantes de hule y calzado anti-deslizante protector al trabajar en exteriores.
- 5. Evite encendidos accidentales:** asegúrese de que el interruptor esté en la posición de apagado antes de insertar las baterías, levantar el artefacto o transportarlo. Llevar un artefacto con su dedo sobre el interruptor, o un artefacto con el interruptor en la posición de encendido, puede causar accidentes.
- 6. Antes de realizar en el artefacto cualquier tarea de ajuste o cambio de accesorios, o antes de guardarlo, sus baterías deberán ser retiradas:** dichas medidas de seguridad preventiva reducen el riesgo de encender el artefacto de forma accidental.
- 7. No fuerce la herramienta:** tendrá un mejor funcionamiento con menos probabilidades de lesiones personales al operador o fallas mecánicas si es usada con la intensidad para la cual fue diseñada.
- 8. Use equipos de protección personal:** al emplear esta herramienta use gafas protectoras con cubiertas laterales, o gafas de seguridad para una protección ocular adecuada. Use protección auditiva para evitar daños a los oídos. Use una máscara antipolvo o para el rostro si el entorno de trabajo es polvoriento.
- 9. Retire las baterías:** desconecte la escarificadora + aireadora inalámbrica de su fuente de alimentación retirándole sus baterías cuando no esté siendo usada, antes de ser reparada, al cambiarle accesorios y al realizar cualquier otra tarea de mantenimiento.
- 10. Guarde la herramienta inactiva en interiores:** cuando no esté en uso, la escarificadora + aireadora debe almacenarse bajo techo, en un lugar seco, alto o bajo llave, lejos del alcance de los niños.
- 11. Cuide su escarificadora + aireadora:** mantenga los bordes de corte afilados y limpios para el más óptimo y seguro funcionamiento. Mantenga los mangos secos, limpios y sin aceite ni grasa.
- 12. Utilice la herramienta correcta:** no utilice la herramienta para ningún otro trabajo excepto para el cual ha sido diseñada.
- 13. Evite entornos peligrosos:** no use la escarificadora + aireadora inalámbrica bajo la lluvia ni en lugares húmedos o mojados.
- 14. Manténgase alerta:** vea lo que está haciendo. Utilice su sentido común. No use la escarificadora + aireadora inalámbrica cuando esté cansado o bajo la influencia del alcohol, drogas, o medicamentos.

***DESCARGO DE RESPONSABILIDAD:** Genera un máximo de 48 V con dos baterías de iones de litio de 24 V. El voltaje inicial sin carga, para cada batería completamente cargada, alcanza un máximo de 24 V. El voltaje nominal bajo una carga típica es de 21.6 V.

GUARDE ESTAS INSTRUCCIONES

- 15. No se extralimite:** mantenga con sus pies una posición y un balance adecuados todo el tiempo.
- 16. Verifique si hay partes dañadas:** antes de seguir utilizando este artefacto, cualquiera de sus protectores o componentes dañados deberán ser cuidadosamente examinados para determinar si funcionarán correctamente o no. Verifique el alineamiento de partes móviles, juntas de partes móviles, roturas de componentes, monturas, y cualquier otra condición que pueda afectar su funcionamiento. Un protector o cualquier otro componente dañado deberá ser correctamente reparado o reemplazado. Comuníquese con la central de servicio al cliente All Season Power llamando al 1-866-225-9723 para recibir asistencia.

Seguridad eléctrica

 **¡ADVERTENCIA!** Lea todas las advertencias de seguridad e instrucciones. No seguir las advertencias e instrucciones puede causar un choque eléctrico, incendio y/o lesiones personales graves.

1. Recargue su herramienta solo con el cargador especificado por el fabricante. Un cargador adecuado para un tipo de batería puede causar un incendio al ser usado con una batería de otro tipo.
2. Use artefactos a batería solo con baterías específicamente diseñadas para éstos. El uso de cualquier otra batería puede causar un incendio o lesiones personales.
3. Cuando las baterías no estén siendo usadas, manténgalas alejadas de otros objetos metálicos como monedas, sujetapapeles, clavos, tornillos, alfileres u otros objetos metálicos pequeños que puedan causar el contacto de un terminal de la batería con el otro. Cortocircuitar los terminales de la batería puede causar quemaduras o un incendio.
4. Bajo condiciones extremas, las baterías pueden expulsar un líquido. Evite el contacto con este líquido. Si usted accidentalmente hace contacto con este líquido, enjuáguese con agua. Si el líquido hace contacto con sus ojos, adicionalmente busque atención médica. El líquido que sale de las baterías puede causar quemaduras o irritación.
5. No use baterías o artefactos que hayan sido dañados o modificados. Las baterías dañadas o modificadas pueden reaccionar impredeciblemente, causando un incendio, explosión o lesiones personales.
6. No exponga una batería o artefacto al fuego o a temperaturas extremas. Una exposición al fuego o a temperaturas por encima de los 104°F (40.5°C) puede causar una explosión.
7. Siga todas las instrucciones de carga, y no cargue las baterías o artefacto fuera del rango de temperaturas especificado en las instrucciones. Cargar de forma incorrecta o a temperaturas fuera del rango especificado puede dañar las baterías e incrementar el riesgo de incendio.

8. No modifique ni intente reparar el artefacto o las baterías (de ser aplicable), a menos que lo haga según lo indicado en las instrucciones de uso y cuidado.

Servicio


1. Las reparaciones deberán ser hechas por una persona calificada usando únicamente partes de repuesto originales. Esto mantendrá la seguridad del producto.
2. No modifique ni intente reparar el artefacto o las baterías, a menos que lo haga según lo indicado en las instrucciones de uso y cuidado.

¡IMPORTANTE!

Instrucciones de seguridad para la escarificadora + aireadora de rodadura

Operación general

- Lea, entienda y siga todas las instrucciones en la máquina y en el(los) manual(es) antes de empezar.
- Inspeccione cuidadosamente el área donde el equipo será utilizado y retire todos los objetos extraños.

 **¡ADVERTENCIA!** Objetos extraños en el área de trabajo pueden ser recogidos por la escarificadora + aireadora y lanzados a los ojos, causando lesiones personales severas. Además de inspeccionar el área y retirar objetos extraños antes de empezar a trabajar, use siempre gafas de seguridad o gafas protectoras con cubiertas laterales y, cuando sea necesario, un protector facial completo.

- Use la escarificadora + aireadora inalámbrica solo durante el día o bajo una buena luz artificial.
- No opere el equipo sin emplear vestimenta protectora adecuada. Utilice calzado protector que mejorará su posición de pie en superficies resbaladizas.
- Nunca intente realizar ningún ajuste mientras el motor esté funcionando.
- Nunca opere la escarificadora + aireadora inalámbrica en césped mojado. Siempre esté atento a dónde esté pisando. Camine, nunca corra con la escarificadora + aireadora inalámbrica.
- No ponga sus manos o pies cerca o debajo de las partes giratorias.
- Tenga mucho cuidado al operar sobre, o cruzando, senderos de grava, aceras o caminos. Preste atención a peligros ocultos o tráfico.
- Tenga cuidado y evite resbalarse o caerse.
- Detenga el motor y retire las baterías antes de dejar su posición de operación, antes de desatascar las púas y al reparar, ajustar, inspeccionar o llevar a cabo cualquier otra tarea de mantenimiento en la máquina.

- Detenga el motor, retire las baterías y tome todas las precauciones necesarias cuando vaya a dejar la máquina sin atender.
- Antes de limpiar, reparar o inspeccionar la unidad, apague el motor, retire las baterías y asegúrese de que todas las partes móviles se hayan detenido por completo.
- Nunca opere la máquina sin protectores, placas u otros dispositivos de seguridad adecuados en su lugar y funcionando correctamente.
- Mantenga a los niños y mascotas alejados.
- No sobrecargue la capacidad de la máquina intentando airear demasiado profundo muy rápidamente.
- Nunca opere la máquina a altas velocidades de transporte en superficies duras o resbaladizas.
- Nunca deje que transeúntes estén cerca de la unidad durante la operación.
- Use solo accesorios y componentes aprobados por el fabricante de la escarificadora + aireadora.
- Nunca opere la escarificadora + aireadora sin buena visibilidad o luz.
- Tenga cuidado al escarificar terrenos duros. Las cuchillas pueden engancharse en el suelo e impulsar la máquina hacia adelante. Si esto ocurre, suelte los manillares y la palanca de encendido, y no retenga la máquina.
- Tenga mucho cuidado al hacer retroceder o jalar la escarificadora + aireadora hacia usted.
- Detenga las púas si la escarificadora + aireadora debe ser inclinada para su transporte. No opere las cuchillas al cruzar superficies que no sean césped, ni al transportar la máquina desde y hacia el área de trabajo.
- No incline la escarificadora + aireadora al encender el motor, excepto si tiene que ser inclinada para ser encendido. En este caso, no incline más de lo absolutamente necesario y levante solo la parte de la máquina más alejada del operador.
- No encienda el motor estando de pie en frente de la abertura de descarga.
- Encienda el motor cuidadosamente, de acuerdo a las instrucciones, y mantenga sus pies alejados de las púas giratorias.
- Nunca levante o lleve la escarificadora + aireadora inalámbrica mientras el motor esté funcionando.
- Detenga el motor y retire las baterías:
 - Antes de retirar obstrucciones o desatascar el conducto de descarga;
 - Antes de inspeccionar, limpiar o trabajar en la máquina;
 - Después de golpear un objeto extraño. Inspeccione la máquina en busca de daños y haga las reparaciones necesarias antes de volver a encender y operar la máquina;
 - Si la máquina empieza a vibrar de forma anormal (inspeccione inmediatamente); o
 - Al abandonar la máquina.
- Nunca use la escarificadora + aireadora sin su bolsa recolectora de paja instalada de forma segura.

- **¡ADVERTENCIA!** Tenga cuidado con las púas afiladas. Las púas continúan girando luego de que el motor se haya apagado.

Trabajo en pendientes

Las pendientes son causas principales de accidentes de resbalos y caídas, los cuales pueden causar lesiones personales severas. La operación en todas las pendientes requiere mucho cuidado. Si no se siente seguro en una pendiente, no la ainee.

- Ainee de forma lateral en la pendiente. Nunca ainee pendientes siguiendo una ruta trasversal de arriba a abajo. Tenga mucho cuidado al cambiar de dirección en una pendiente.
- Esté atento a hoyos, surcos, baches, rocas u otros objetos ocultos. Estos pueden causar un inesperado resbalón o caída.
- No ainee césped mojado o en pendientes demasiado inclinadas. Una mala postura puede causar un accidente de resbalo y caída.
- No ainee cerca de laderas, zanjas o terraplenes. Usted puede perder su postura o equilibrio.

Seguridad para los niños

Pueden ocurrir accidentes trágicos si el operador no está alerta de la presencia de niños. Los niños son generalmente atraídos a la máquina y a la actividad de aireado. Nunca asuma que los niños permanecerán en donde usted los vio por última vez.

- Mantenga a los niños lejos del área de poda y bajo la estricta vigilancia de un adulto responsable que no sea el operador.
- Esté siempre atento y apague la escarificadora + aireadora inalámbrica si un niño entra al área.
- Nunca deje que los niños operen la escarificadora + aireadora inalámbrica.
- Tenga especial cuidado al acercarse a esquinas ciegas, arbustos, árboles u otros objetos que puedan impedir ver a un niño.

Reducción de vibraciones y ruido

Para reducir el impacto negativo de la emisión de ruido y vibraciones, limite el tiempo de operación, use modos de operación de bajas vibraciones y bajo ruido, y además emplee equipos de protección personal. Obedezca las siguientes indicaciones para minimizar los riesgos de exposición a vibraciones y ruido:

- Solo use la escarificadora + aireadora inalámbrica para los trabajos especificados por su diseño y estas instrucciones.
- Asegúrese de que la escarificadora + aireadora inalámbrica esté en buenas condiciones y bien mantenida.
- Use los accesorios correctos para la escarificadora + aireadora inalámbrica y asegúrese de que estén en buenas condiciones.
- Mantenga una sujeción firme en los mangos y manillar.

- Cuide esta escafificadora + aireadora inalámbrica de acuerdo con estas instrucciones y, de ser apropiado, manténgala bien lubricada.
- Planee su horario de trabajo para distribuir correctamente el uso de cualquier herramienta de altas vibraciones durante varios días.

Riesgos residuales

Aún si usted está operando este producto de acuerdo con todos los requisitos de seguridad, quedan riesgos potenciales de lesiones personales y daños. Los siguientes peligros pueden surgir en conexión con la estructura y diseño de esta escafificadora + aireadora inalámbrica:

- Defectos de salud resultantes de la emisión de vibraciones si el producto está siendo usado durante periodos prolongados de tiempo o no está siendo manipulado y mantenido adecuadamente.
- Lesiones personales y daños materiales debido a accesorios defectuosos o al impacto súbito de objetos ocultos durante el uso.
- Peligro de lesiones personales y daños materiales causado por objetos voladores.

⚠ ¡ADVERTENCIA! ¡Este producto genera un campo electromagnético durante su operación! ¡Este campo puede, bajo algunas circunstancias, interferir con implantes médicos activos o pasivos! ¡Para reducir el riesgo de lesiones personales severas o mortales, recomendamos una persona que tenga algún implante hable con su médico y con el fabricante de su implante antes de operar este producto!

Instrucciones de seguridad para las baterías y el cargador

Prestamos mucha atención al diseño de cada batería para garantizar la producción de baterías seguras y durables, con una alta densidad de energía. Las celdas de las baterías tienen varios dispositivos de seguridad. Cada celda individual es inicialmente formateada y sus curvas eléctricas características son registradas. Estos datos son luego usados exclusivamente para ensamblar las mejores baterías posibles.

Independientemente de todas las precauciones de seguridad, se debe tener mucho cuidado al manipular las baterías. Las siguientes instrucciones deben ser obedecidas en todo momento para garantizar un uso seguro. Un uso seguro solo puede ser garantizado si se usan celdas libres de daños. Una manipulación incorrecta de las baterías puede causar daños en sus celdas.

¡IMPORTANTE! Los análisis han confirmado que el uso incorrecto y el cuidado deficiente de baterías de alto rendimiento son las causas principales de lesiones personales y/o daños al producto.

⚠ ¡ADVERTENCIA! Use solo baterías de repuesto aprobadas. Otras baterías pueden dañar la escafificadora + aireadora inalámbrica y provocar un desperfecto que pueda causar lesiones personales severas.

⚠ ¡ADVERTENCIA! No use baterías o artefactos que hayan sido dañados o modificados. Una batería dañada o alterada puede reaccionar impredeciblemente, causando un incendio, explosión, o riesgo de lesiones personales.

No modifique ni intente reparar el artefacto o las baterías, a menos que lo haga según lo indicado en las instrucciones de uso y cuidado.

Sus baterías deberán ser reparadas por una persona calificada usando únicamente partes de repuesto originales. Esto mantendrá la seguridad de las baterías.

⚠ ¡PRECAUCIÓN! Para reducir el riesgo de lesiones personales, cargue las baterías de iones de litio 24V* de IONMAX™ solo con el cargador de baterías de iones de litio designado 24V* de IONMAX™. Otros tipos de cargadores presentan riesgos de incendio, lesiones personales y daños materiales. No conecte las baterías a un tomacorriente doméstico ni encendedor de cigarrillos en su vehículo. Dicho uso indebido dañará o deshabilitará permanentemente las baterías.


- **Evite entornos peligrosos:** no cargue las baterías bajo la lluvia o nieve, ni en lugares húmedos o mojados. No use las baterías ni el cargador en atmósferas explosivas (gases, polvo o materiales inflamables), ya que al insertar o retirar las baterías se pueden generar chispas que causen un incendio.
- **Cargue las baterías en un área bien ventilada:** no obstruya los conductos de ventilación del cargador. Manténgalos despejados para permitir una ventilación adecuada. No permita que se fume o haya fuego abierto cerca de una batería siendo cargada. Los gases presentes pueden explotar.

NOTA: el rango seguro de temperaturas para las baterías es de 41°F (5°C) a 105°F (40.5°C). No cargue las baterías en exteriores a temperaturas congelantes. Carguelas a temperatura ambiente en interiores.

- **Cuide el cable de alimentación del cargador:** al desenchufar el cargador tire del enchufe, no del cable de alimentación, para desconectarlo del tomacorriente y así evitar daños al enchufe y cable. Nunca transporte el cargador colgado de su cable, ni tire del cable para desconectarlo del tomacorriente. Mantenga el cable alejado del calor, grasas y bordes afilados. Asegúrese de que el cable no sea pisado, que la gente no se tropiece con éste, ni que esté sujeto a daños o tensiones mientras el cargador esté siendo usado. No use el cargador con un cable o enchufe dañado. Reemplace un cargador dañado inmediatamente.
- **No use un cable de extensión a menos que sea absolutamente necesario:** usar un cable de extensión incorrecto, dañado o conectado de forma inapropiada

puede causar un incendio o choque eléctrico. Si se debe usar un cable de extensión, conecte el cargador a un cable de extensión de calibre 16 (o más grueso) de alambrado adecuado, con el enchufe macho del cargador encajando perfectamente en el enchufe hembra del cable de extensión. Verifique que el cable de extensión esté en buenas condiciones.

- **El cargador 24VCHRG-DPC está especificado solo para 120 V CA:** el cargador debe estar enchufado a un tomacorriente apropiado.
- **Use solo accesorios recomendados:** el uso de un accesorio no recomendado ni vendido por el fabricante de las baterías o cargador puede resultar en un riesgo de un choque eléctrico, incendio o lesiones personales.
- **Desenchufe el cargador cuando no esté siendo usado:** asegúrese de desconectar las baterías de un cargador desenchufado.

 **¡ADVERTENCIA!** Para reducir el riesgo de un choque eléctrico, desenchufe siempre el cargador antes de llevar a cabo cualquier tarea de limpieza o mantenimiento. No permita que entre agua dentro del cargador. Use un interruptor de circuito por falla a tierra (GFCI) para reducir el riesgo de un choque eléctrico.

- **No quemar ni incinerar baterías:** las baterías pueden explotar, causando lesiones personales o daños. Cuando la batería es quemada se generan sustancias y humos tóxicos.
- **No triture, deje caer ni dañe las baterías:** no use las baterías ni el cargador si han sido severamente golpeados, se han dejado caer, se han aplastado o se han dañado de cualquier forma como por ejemplo perforados con un clavo, golpeados con un martillo, pisados, etc.
- **No los desarme:** el reensamblado incorrecto puede presentar un riesgo severo de choque eléctrico, fuego o exposición a químicos tóxicos de las baterías. Si las baterías o el cargador están dañados, contacte a un concesionario autorizado Snow Joe® + Sun Joe® o comuníquese con la central de servicio al cliente All Season Power llamando al 1-866-225-9723 para obtener ayuda.
- **Los químicos de las baterías causan severas quemaduras:** nunca deje que una batería dañada haga contacto con la piel, ojos o boca. Si una batería dañada deja escapar químicos, use guantes de hule o neopreno para deshacerse de ella de forma segura. Si la piel es expuesta a los químicos de la batería, lave el área afectada con jabón y agua, y enjuague con vinagre. Si los ojos son expuestos a los químicos, inmediatamente enjuáguelos con agua durante 20 minutos y busque atención médica. Quítese y deshágase de las vestimentas contaminadas.
- **No provoque un cortocircuito:** una batería puede hacer cortocircuito si un objeto metálico hace conexión entre los contactos positivo y negativo de la batería. No coloque una batería cerca de objetos que puedan causar un cortocircuito tales como monedas, sujetapapeles, tornillos, clavos, llaves u otros objetos metálicos. Una batería cortocircuitada representa un riesgo de incendio y lesiones personales severas.

- **Guarde sus baterías y cargador en un lugar fresco y seco:** no guarde las baterías ni el cargador donde las temperaturas puedan exceder los 105°F (40.5°C), como bajo la luz directa del sol o dentro de un vehículo o construcción metálica durante el verano.

Información sobre las baterías

1. Las baterías suministradas con su escarificadora + aireadora inalámbrica están cargadas solo parcialmente. Las baterías tienen que ser cargadas por completo antes de que usted use esta herramienta por primera vez.
2. Para un óptimo rendimiento de las baterías, evite ciclos de descarga baja cargándolas frecuentemente.
3. Guarde las baterías en un lugar fresco, de preferencia a 77°F (25°C) y cargadas al menos a un 40%.
4. Las baterías de iones de litio están sujetas a un proceso natural de desgaste. Las baterías deben ser reemplazadas a más tardar cuando su capacidad caiga a un 80% de su capacidad inicial, cuando estaban nuevas. Las celdas debilitadas en una batería gastada no cumplirán con los requisitos de alta potencia necesarios para la operación adecuada de su escarificadora + aireadora inalámbrica, y por tanto representan un riesgo de seguridad.
5. No arroje las baterías al fuego abierto ya que pueden explotar.
6. No quemar las baterías ni las esponjas al fuego.
7. No descargue las baterías exhaustivamente. Una descarga exhaustiva dañará las celdas de las baterías. La causa más común de descarga exhaustiva es el almacenamiento prolongado o la falta de uso de una batería parcialmente descargada. Deje de trabajar tan pronto como el rendimiento de la batería caiga considerablemente o se active el sistema de protección electrónico. Almacene las baterías únicamente luego de haberlas cargado por completo.
8. Proteja las baterías y la escarificadora + aireadora inalámbrica contra sobrecargas. Las sobrecargas causarán rápidamente un sobrecalentamiento y daños a las celdas dentro de la batería, incluso si este sobrecalentamiento no es aparente por fuera.
9. Evite daños y golpes. Reemplace inmediatamente una batería que se haya caído desde una altura de más de un metro o que haya sido expuesta a golpes violentos, incluso si el exterior de la batería aparenta no tener daños. Las celdas dentro de la batería pueden haber sufrido daños severos. En dichos casos, lea la información de eliminación para deshacerse apropiadamente de la batería.
10. Si las baterías sufren una sobrecarga y sobrecalentamiento, el sistema interruptor de corte de protección integrado apagará el equipo por motivos de seguridad.

¡IMPORTANTE! No siga apretando la palanca interruptora si el sistema interruptor de corte de protección se ha activado. Esto puede dañar las baterías.

11. Use únicamente baterías originales. El uso de otras baterías puede causar lesiones personales o una explosión.

Información sobre el cargador y el proceso de carga











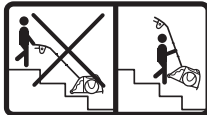


1. Verifique la información indicada en la placa de especificaciones del cargador de baterías. Asegúrese de conectar el cargador de baterías a una fuente de alimentación que tenga el voltaje indicado en la placa de especificaciones. Nunca lo conecte a una fuente de alimentación con un voltaje distinto al indicado.
2. Proteja el cargador de baterías y su cable contra daños. Mantenga el cargador y su cable alejados del calor, grasa, aceite y bordes afilados. Haga reparar sin demora los cables dañados por un técnico calificado en un concesionario autorizado Snow Joe® + Sun Joe® o comuníquese con la central de servicio al cliente All Season Power llamando al 1-866-225-9723.
3. Los enchufes eléctricos deben encajar en los tomacorrientes. Nunca modifique el enchufe de ninguna manera. No use ningún adaptador de enchufe con artefactos que tengan conexión a tierra. El uso de enchufes no modificados y tomacorrientes equivalentes reducirá el riesgo de un choque eléctrico.
4. Mantenga el cargador de baterías, las baterías y la herramienta inalámbrica lejos del alcance de los niños.
5. No use el cargador de baterías suministrado para cargar baterías de otras herramientas inalámbricas.
6. Durante periodos de trabajo pesado, las baterías se calentarán. Permita que las baterías se enfrien a temperatura ambiente antes de volverlas a cargar.
7. No sobrecargue las baterías. No exceda los tiempos máximos de carga. Estos tiempos de carga solo se aplican a baterías descargadas. Una conexión frecuente de una batería cargada o parcialmente cargada causará una sobrecarga y daños a las celdas. No deje las baterías conectadas al cargador por días enteros.
8. Nunca use o cargue una batería si sospecha que han pasado más de doce (12) meses desde la última vez que fueron cargadas. Existe una alta probabilidad de que la batería ya haya sufrido un daño severo (descarga exhaustiva).
9. Cargar las baterías a una temperatura menor de 41°F (5°C) causará daños químicos a las celdas y puede provocar un incendio.
10. No use baterías que hayan sido expuestas al calor durante el proceso de carga, ya que sus celdas pueden haber sufrido daños severos.
11. No use la batería si se ha curvado o deformado durante el proceso de carga, o muestre otros síntomas atípicos como liberación de gases, zumbidos, grietas, etc.
12. Nunca descargue por completo las baterías (se recomienda una profundidad de descarga de un 80%). Una descarga completa de las baterías causará un envejecimiento prematuro de las celdas de las baterías.

Protección contra influencias del entorno

1. Use ropa de trabajo adecuada. Use gafas protectoras.
2. Proteja su herramienta inalámbrica y el cargador de baterías contra la humedad y la lluvia, ya que estas pueden causar peligrosos daños a las celdas.
3. No use la herramienta inalámbrica o el cargador de baterías cerca de vapores y líquidos inflamables.
4. Use el cargador de baterías y la herramienta inalámbrica solo en entornos secos y a una temperatura ambiente de entre 41°F (5°C) y 105°F (40.5°C).
5. No coloque el cargador de baterías en lugares donde la temperatura pueda sobrepasar los 105°F (40.5°C). En particular, no deje el cargador de baterías en un auto estacionado bajo la luz directa del sol.
6. Proteja las baterías contra el sobrecalentamiento. Las sobrecargas, exceso de carga y exposición a la luz directa del sol darán como resultado un sobrecalentamiento y daños a las celdas. Nunca cargue ni trabaje con baterías que hayan estado sobrecalentadas. De ser posible, reemplácelas inmediatamente.
7. Guarde el cargador de baterías y su herramienta inalámbrica solo en entornos secos y a una temperatura ambiente de entre 41°F (5°C) y 105°F (40.5°C). Guarde sus baterías de iones de litio en un lugar fresco y seco, a una temperatura ambiente de 77°F (25°C). Proteja las baterías, el cargador y la herramienta inalámbrica contra la humedad y la luz directa del sol. Solo almacene baterías cargadas por completo.
8. Evite que las baterías de iones de litio se congelen. Las baterías almacenadas a temperaturas menores de 32°F (0°C) por más de una hora deberán ser desechadas.
9. Al manipular las baterías, tenga cuidado con las descargas electrostáticas. Las descargas electrostáticas pueden dañar los sistemas electrónicos de protección y las celdas de las baterías. Evite las descargas electrostáticas y nunca toque los polos de las baterías.

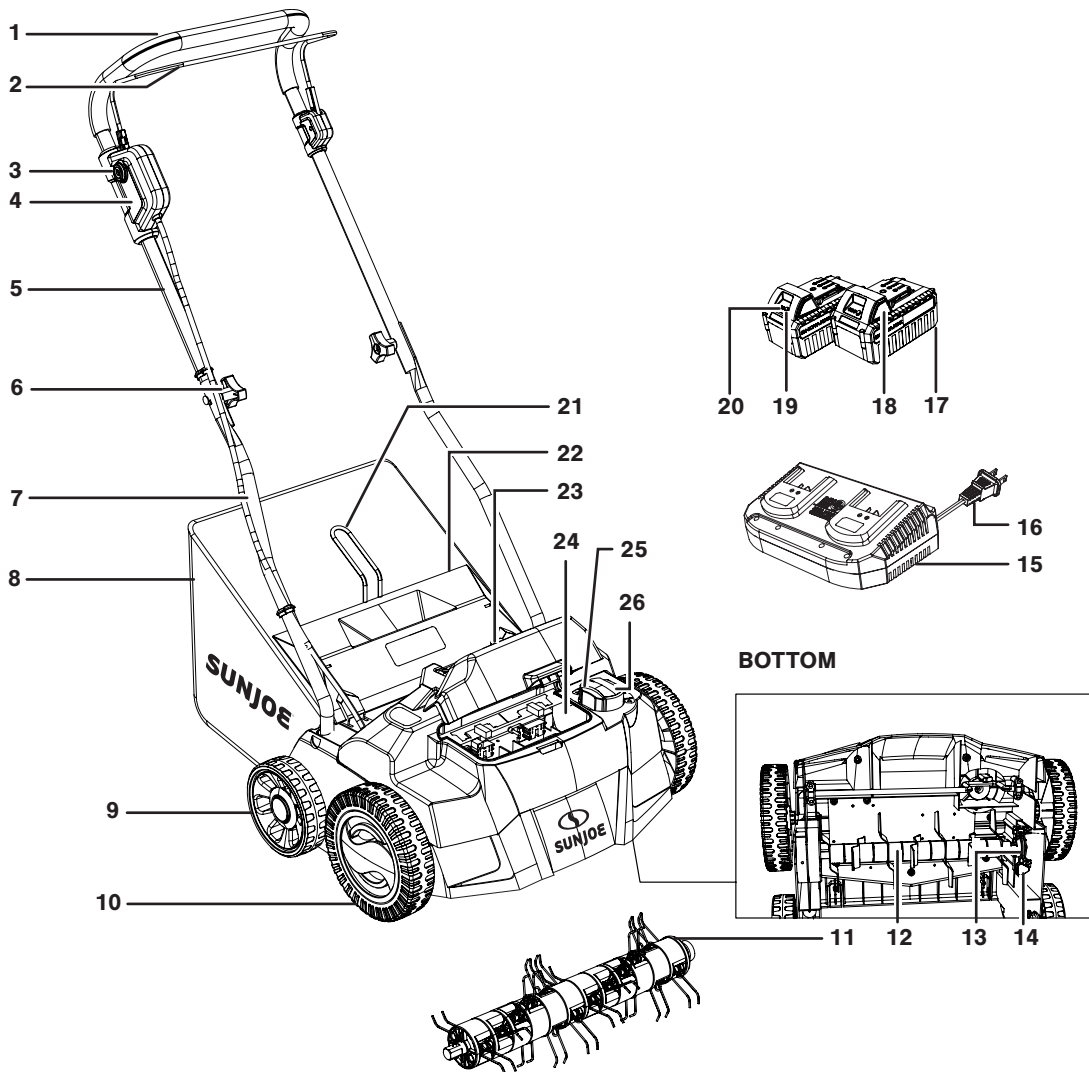
Símbolos de seguridad

La siguiente tabla muestra y describe los símbolos de seguridad que pueden aparecer en este producto. Lea, comprenda y siga todas las instrucciones de la máquina antes de intentar ensamblarla y operarla.

Símbolo	Descripción	Símbolo	Descripción
	LEA EL(LOS) MANUAL(ES) DEL OPERADOR: lea, comprenda y siga todas las instrucciones en el(los) manual(es) antes de intentar ensamblar y operar esta unidad.		ALERTA DE SEGURIDAD: indica una precaución, advertencia o peligro.
	¡ADVERTENCIA! No exponga la unidad a la lluvia ni a entornos mojados.		USE PROTECCIÓN OCULAR Y AUDITIVA: para evitar lesiones personales, use protección auditiva y gafas protectoras.
	Use guantes protectores y calzado no deslizante al usar la máquina y al manipular desechos.		¡PELIGRO! Cuchillas giratorias: mantenga los pies y manos alejados de las partes móviles.
	Mantenga a los espectadores a una distancia segura del área de trabajo.		Los objetos recogidos y lanzados por las púas giratorias pueden causar lesiones personales severas.
	Inspeccione el área de trabajo antes de usar el artefacto, y retire todos los objetos que puedan ser arrojados por éste. Si un objeto oculto es descubierto durante el trabajo, detenga la máquina y retire el objeto.		Tenga mucho CUIDADO al hacer retroceder o jalar la máquina hacia usted.
	No empuje la máquina escalera abajo.		Mantenga las manos y pies alejados de las partes giratorias.
	Solo para uso en interiores. Utilice el cargador de baterías solamente en interiores.		

Conozca su escarificadora + aireadora inalámbrica

Lea detenidamente el manual del operador y las instrucciones de seguridad antes de operar la escarificadora + aireadora. Compare la ilustración debajo con la escarificadora + aireadora para familiarizarse con las ubicaciones de los diversos controles y ajustes. Conserve este manual para futuras referencias y vuélvalo a leer antes de cada sesión de aireado.



- | | | |
|----------------------------------|---|--|
| 1. Empuñadura suave | 12. Cilindro escarificador | 20. Indicadores de batería |
| 2. Palanca interruptora | 13. Traba de cilindro | 21. Mango de bolsa recolectora de paja |
| 3. Botón de trabado de seguridad | 14. Tornillo de trabado | 22. Compuerta eyectora |
| 4. Caja de interruptor | 15. Cargador de baterías de iones de litio 24V* de IONMAX™ (24VCHRG-DPC) | 23. Tapa de compartimiento de batería |
| 5. Estructura de mango superior | 16. Conector de cargador | 24. Compartimiento de batería |
| 6. Perilla + perno (×2) | 17. Baterías de iones de litio 24V* de IONMAX™ (24VBAT) con exclusiva tecnología EcoSharp® (×2) | 25. Traba de perilla |
| 7. Barra inferior (×2) | 18. Botón de trabado | 26. Perilla de ajuste de profundidad de escarificado/rastrillado |
| 8. Bolsa recolectora de paja | 19. Botón para indicador de batería | |
| 9. Ruedas posteriores (×2) | | |
| 10. Ruedas frontales (×2) | | |
| 11. Cilindro aireador | | |

Datos técnicos

Motor	600 W sin escobillas
Voltaje máximo de las baterías*	48 V CC (2 × 24 V CC)
Capacidad de las baterías	4.0 Ah
Entrada del cargador	120 V CA, 60 Hz, 160 W
Salida del cargador	26 V CC, 2.2 A (dos puertos)
Tiempo máximo de carga de baterías	1 hora 50 minutos
Velocidad sin carga	3,000 RPM
Tamaño de cubierta	15 plg (38 cm)
Ancho de rastrillado	14.2 plg (36 cm)
Profundidad de escarificado†	De -0.375 a 0.2 plg (de -9.5 mm a 5 mm)
Profundidad de rastrillado†	De -0.18 plg a 0.4 plg (de -4.5 mm a 10 mm)
Posiciones para ajuste de profundidad	5
Capacidad de bolsa recolectora de paja	10.6 gal (40 L)
Cilindro rastrillador (aireador)	24 cuchillas flexibles de acero para rastrillado (2 mm de grosor)
Cilindro escarificador	7 cuchillas cortadoras
Tamaño de ruedas	8 plg (20 cm) (frontales) 6 plg (15 cm) (traseras)
Dimensiones	40.5 plg (L) x 22.8 plg (W) x 43.7 plg (H) del producto 103 cm (L) x 58 cm (W) x 111 cm (H)
Peso neto	33 lb (15 kg)

***DESCARGO DE RESPONSABILIDAD:** Genera 48 V máx. con dos baterías iones de litio de 24 V. El voltaje inicial sin carga para cada batería completamente cargada alcanza un máximo de 24 V. El voltaje nominal bajo una carga típica es de 21.6 V.

†La profundidad negativa de escarificado o rastrillado indica que las cuchillas o púas penetran por debajo del horizonte (es decir, penetran la capa de suelo).

Desembalaje

Contenido del paquete:

- Escarificadora + aireadora
- Perilla y perno (×2)
- Estructura de mango superior
- Bolsa recolectora de paja
- Ganchos para cable (×2)
- Cilindro escarificador (pre-ensamblado)
- Cilindro aireador
- Baterías de iones de litio 24V* de IONMAX™ (×2)
- Cargador de baterías de iones de litio 24V* de IONMAX™
- Manual

1. Retire cuidadosamente la escarificadora + aireadora inalámbrica y compruebe que todos los artículos anteriores estén incluidos.
2. Inspeccione cuidadosamente el producto para asegurarse de que no haya ocurrido ningún daño o ruptura durante su transporte. Si alguna parte está dañada o extraviada, NO DEVUELVA la unidad a la tienda. Comuníquese con la central de servicio al cliente All Season Power! llamando al 1-866-225-9723.

NOTA: no se deshaga de la caja de transporte ni de los materiales de embalaje hasta que usted esté listo para usar su escarificadora + aireadora inalámbrica. El empaquetado está hecho de materiales reciclables. Deshágase apropiadamente de estos materiales según los reglamentos locales, o guarde el empaquetado para el almacenamiento del producto a largo plazo.

¡IMPORTANTE! El equipo y los materiales de embalaje no son juguetes. No permita que los niños jueguen con bolsas plásticas, láminas o partes pequeñas. ¡Estos objetos pueden ser tragados y causar asfixia!

Operación de las baterías

La unidad es alimentada con dos baterías de iones de litio. Las baterías están completamente selladas y no requieren de mantenimiento.

⚠ ¡ADVERTENCIA! La escarificadora + aireadora inalámbrica solo podrá funcionar con las dos baterías juntas. Una sola batería no alimentará suficientemente a su herramienta. Asegúrese de usar dos baterías del mismo voltaje y capacidad. Usar la herramienta con baterías de diferente capacidad provocará un daño a las baterías.

⚠ ¡ADVERTENCIA! Antes de su primer uso, las baterías requieren al menos 1 hr 50 min de carga para que estén cargadas por completo. Cuando las baterías estén bajas, recárguelas por 1 hr 50 min nuevamente antes de reiniciar la operación.

Indicador de nivel de carga de las baterías

Las baterías están equipadas con un botón para comprobar su nivel de carga. Simplemente presione el botón para leer el nivel de carga de la batería en los LED indicadores de la batería:

- Los tres LED indicadores de nivel están encendidos: el nivel de carga de la batería es elevado.
- Dos LED indicadores de nivel están encendidos: el nivel de carga de la batería está disminuyendo. Deje de trabajar tan pronto como sea posible.
- Un LED indicador de nivel está encendido: la batería está agotada. Deje de trabajar INMEDIATAMENTE y cargue la batería, de otro modo, la vida útil de la batería se reducirá en gran medida.

Luces	Significado
	Botón de nivel de carga.
	La batería está cargada a un 30% y requiere ser cargada de inmediato.
	La batería está cargada a un 60% y requiere ser cargada pronto.
	La batería está cargada por completo.

NOTA: si el botón de nivel de carga no parece funcionar, conecte la batería al cargador y cargue según se requiera.

NOTA: inmediatamente luego del uso de las baterías, el botón de nivel de carga puede mostrar una carga más baja que la que se mostrará algunos minutos después. Las celdas de las baterías “recuperan” parte de su carga luego de permanecer inactivas.

Operación del cargador

⚠ ¡ADVERTENCIA! Cargue las baterías de iones de litio 24V* de IONMAX™ solo con su cargador de baterías de iones de litio compatible 24V* de IONMAX™. Otros tipos de baterías pueden causar lesiones personales y daños materiales.

Para reducir el riesgo de un choque eléctrico, no permita que entre agua a la conexión CA/CC del cargador.

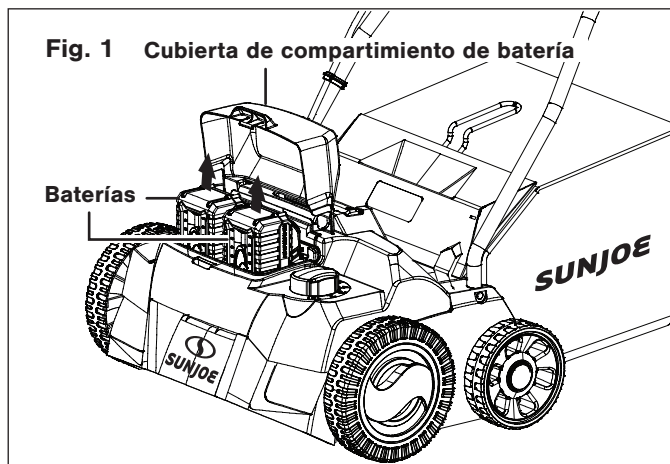
Cuándo cargar las baterías de iones de litio IONMAX™ 24VBAT

NOTA: las baterías de iones de litio IONMAX™ 24VBAT no crean una “memoria” al ser cargadas luego de una descarga parcial. Por tanto, no hay necesidad de agotar las baterías antes de cargarlas de nuevo.

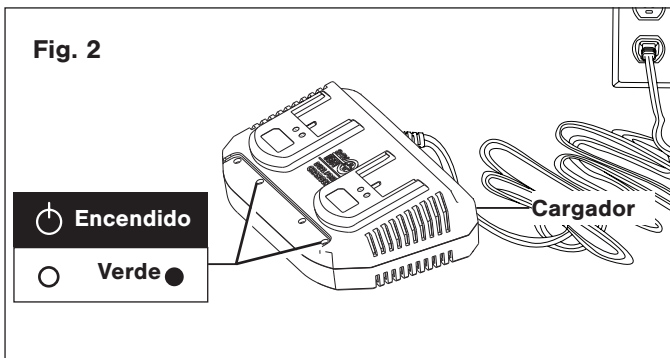
- Use las luces indicadoras de carga de batería para determinar cuándo cargar sus baterías de iones de litio IONMAX™ 24VBAT.
- Usted puede cargar por completo sus baterías antes de empezar un trabajo grande o luego de un uso prolongado.

Carga de las baterías

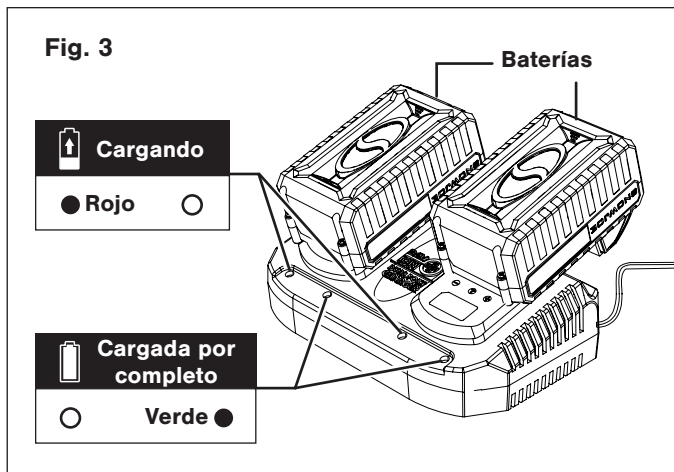
1. Abra la cubierta del compartimento de la batería, y apriete los botones de trabado en las baterías para sacarlas de su compartimento (Fig. 1).



2. Compruebe que el voltaje de la red eléctrica sea el mismo que el indicado en la placa de especificaciones del cargador de baterías. Luego, inserte el enchufe del cargador en el tomacorriente de pared. Cuando enchufe el cargador, dos luces verdes se iluminarán y permanecerán verdes (Fig. 2).



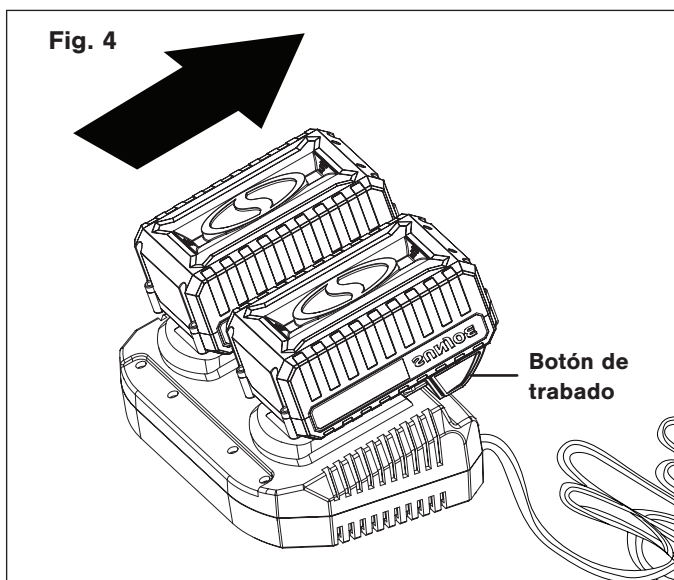
3. Coloque las baterías en el cargador deslizándolas para trabarlas en su posición. Cuando usted inserte las baterías dentro del cargador, las dos luces verdes se apagarán y las luces rojas se encenderán indicando que las baterías se están cargando (Fig. 3).



4. Cuando las luces del cargador se tornen verdes, las baterías estarán totalmente cargadas (Fig. 3).

NOTA: una batería descargada por completo, con una temperatura interna en el rango normal entre 32°F (0°C) y 113°F (45°C), se cargará por completo dentro de 1 hora 50 minutos.

5. Si las luces indicadoras no aparecen del todo, verifique que las baterías estén insertadas correctamente. Retire las baterías y reinsértelas. Si el problema persiste, contacte a un concesionario autorizado Snow Joe® + Sun Joe® o comuníquese con la central de servicio al cliente All Season Power llamando al 1-866-225-9723 para recibir asistencia.
6. Cuando la carga haya finalizado, retire las baterías del cargador presionando los botones de trabado y deslizando las baterías hacia atrás para destrabarlas del cargador (Fig. 4).



⚠ ¡PRECAUCIÓN! PELIGRO DE INCENDIO. Al sacar las baterías del cargador, asegúrese de desenchufar el cargador del tomacorriente primero, y luego retirar las baterías del cargador.

⚠ ¡ADVERTENCIA! Este cargador no se apaga de forma automática cuando las baterías están completamente cargadas.

No deje las baterías conectadas al cargador. Apague o desenchufe el cargador del tomacorriente cuando la carga haya sido completada.

7. Una recarga oportuna de las baterías ayudará a prolongar el ciclo de vida útil de estas. Usted debe recargar las baterías cuando note una caída en la potencia de la máquina.

¡IMPORTANTE! Nunca permita que las baterías se descarguen por completo ya que esto causará un daño irreversible a las baterías.

Carga de baterías calientes o frías

Las luces verdes indicadoras en la base del cargador indican que las temperaturas de las baterías están fuera del rango de carga. Una vez que las baterías estén a una temperatura dentro del rango aceptable, se cargarán normalmente y las luces rojas serán continuas. Las baterías frías o calientes pueden tardar más tiempo en cargarse.

Estado de carga de batería de iones de litio			
Temperatura de batería	Luz indicadora de base de cargador	Luz indicadora de batería	Estado de carga
Demasiado caliente	Verde	Parpadeando juntas	No se está cargando
Rango normal	Rojo	Parpadeando una por una	Carga normal
Muy fría	Verde	Parpadeando juntas	No se está cargando

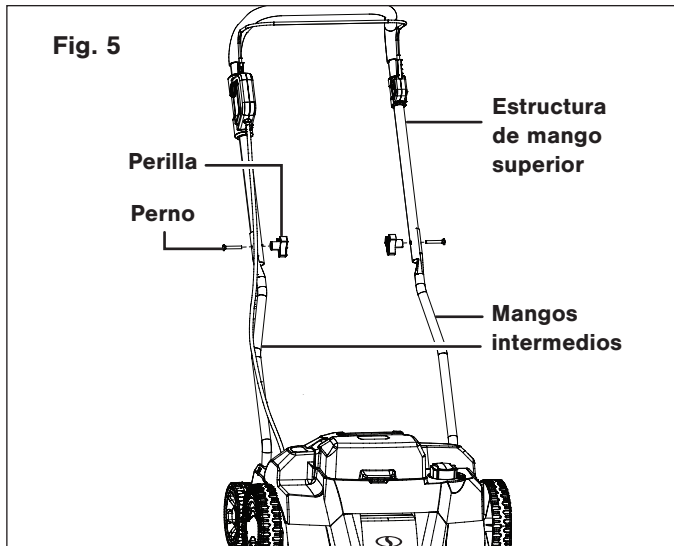
Ensamblado

⚠ ¡ADVERTENCIA! No inserte las baterías hasta que haya terminado de ensamblar la unidad. El incumplimiento de esta advertencia puede resultar en un encendido accidental y lesiones personales severas.

Use siempre guantes durante el ensamblado.

Conexión de la empuñadura

1. Instale la estructura de mango superior sobre los mangos inferiores y asegúrela con los dos juegos de perillas y pernos (Fig. 5).



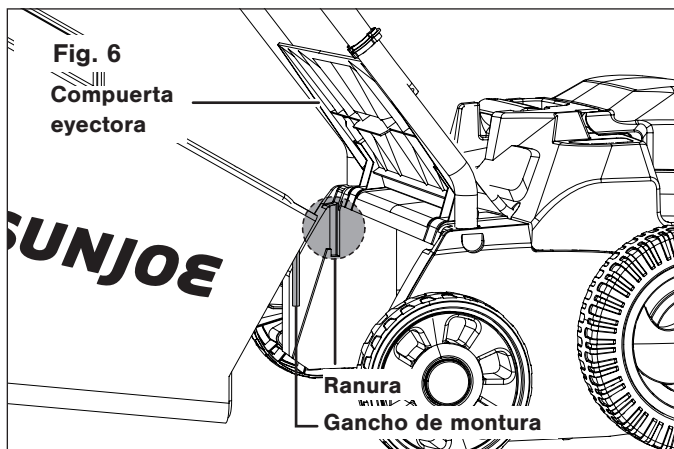
2. Conecte los ganchos para cable sobre el mango e inserte el cable dentro de los ganchos.

Ensamblado de bolsa recolectora de paja

⚠ ¡ADVERTENCIA! No intente usar la máquina sin haberle instalado la bolsa recolectora de paja. Esto puede generar un peligro de escombros voladores.

⚠ ¡ADVERTENCIA! El producto debe ser apagado y el dispositivo de corte debe haber dejado de girar por completo antes de que usted conecte o vacíe la bolsa recolectora de paja.

1. Levante la compuerta eyectora y monte los ganchos en ambos lados de la bolsa recolectora de paja, en las ranuras de ambos lados dentro de la carcasa (Fig. 6).



Retiro y vaciado de la bolsa recolectora de césped

Vacíe la bolsa recolectora de césped frecuentemente durante el uso. No espere a que esté completamente llena. Recomendamos vaciarla cuando esté medio llena.

NOTA: una bolsa recolectora llena reducirá el rendimiento de este producto.

1. Levante la compuerta eyectora de paja y saque la bolsa recolectora de los ganchos de montura.
2. Vacíe los contenidos de la bolsa en un contenedor adecuado para desechos. Instale la bolsa de vuelta en su lugar antes de continuar con el trabajo.

Uso indicado

1. Esta escarificadora + aireadora tiene un motor de 600 W. Dependiendo del dispositivo de corte conectado, esta máquina está diseñada para escarificar y retirar paja del césped o rastrillar (airear) jardines domésticos y recreativos.
2. Al ser usada como escarificadora, esta escarificadora + aireadora trabaja raspando a través y entre el césped con cuchillas especialmente adaptadas que recolectan y retiran cuerpos no deseados del césped, dejando las briznas de césped intactas. Al mismo tiempo, la máquina escarifica el suelo, aireándolo mejor.
3. Al usarla como aireadora, las púas finas rascan la superficie del césped recogiendo residuos ligeros para una mejor absorción de oxígeno, aireado y drenaje mejores.
4. Esta escarificadora + aireadora no debe ser usada en condiciones climáticas mojadas ni debe ser usada para cortar césped seco, mojado o inusualmente alto (como pastizales) ni para triturar hojas.
5. Esta máquina está destinada solo para un uso privado doméstico, no para un uso comercial. No debe ser usada para ningún propósito distinto a los descritos en este manual.

Operación

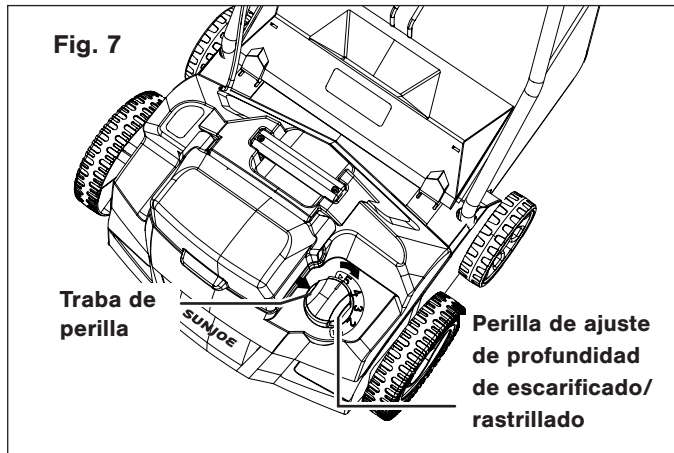
Ajuste de profundidad de escarificado/rastrillado

⚠ ¡ADVERTENCIA! Apague la unidad y retire las baterías antes de ajustar las cuchillas.

Ajuste la profundidad de acuerdo a las necesidades de su césped. La profundidad más adecuada dependerá del tipo y altura del césped.

La profundidad de escarificado/rastrillado es controlada por un solo sistema. Siga las instrucciones a continuación para ajustar la profundidad de escarificado o rastrillado.

1. Para ajustar la profundidad de escarificado/rastrillado, presione la traba de perilla y gire la perilla de ajuste de profundidad al mismo tiempo. Gire la perilla hasta que el indicador en la perilla se alinee con la marca alrededor de la perilla (1/2/3/4/5) (Fig. 7).



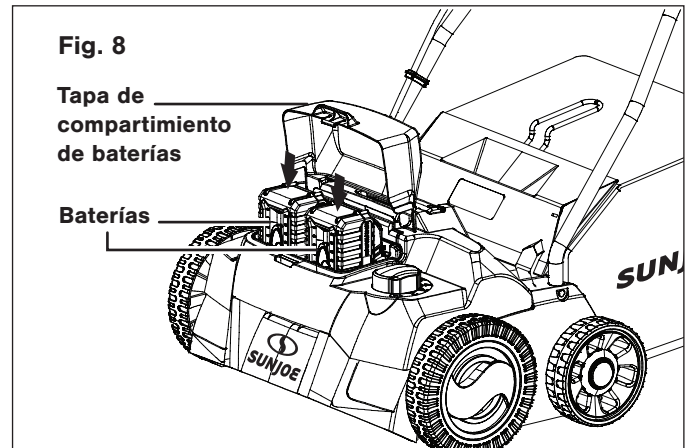
2. Esta escarificadora + aireadora tiene cinco profundidades de escarificado/rastrillado. Al conectarse un cilindro distinto, cada configuración indica una profundidad diferente. Vea la siguiente tabla para detalles sobre cada configuración.

Posición	Profundidad de escarificado	Profundidad de rastrillaje
1	5 mm	10 mm
2	-0.5 mm	4.5 mm
3	-6 mm	-1 mm
4	-8.5 mm	-3.5 mm
5	-9.5 mm	-4.5 mm

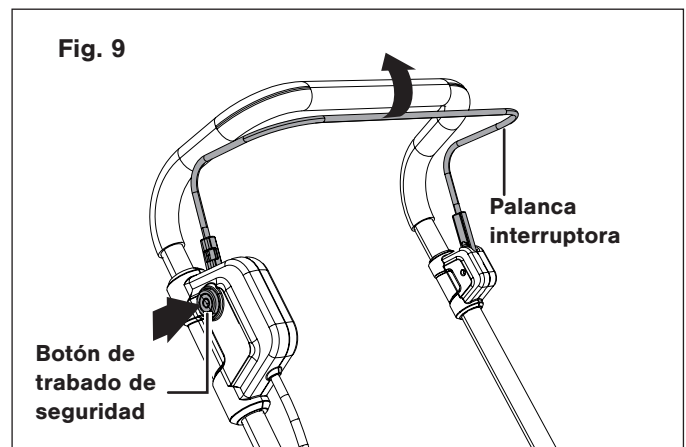
Arranque y parada

⚠ ¡ADVERTENCIA! Antes de encender la escarificadora + aireadora de césped, asegúrese de que no haga contacto con ningún objeto extraño. Mantenga sus pies y manos a una distancia segura de las cuchillas giratorias y de la compuerta eyectora. No obedecer estas advertencias podría causar lesiones personales severas.

1. Levante la tapa del compartimiento de baterías e inserte ambas baterías hasta que hagan "clic" en su lugar (Fig. 8). Cierre la cubierta del compartimiento de baterías.



2. Para encender la escarificadora + aireadora inalámbrica, presione y sujete el botón de trabado de seguridad mientras jala la palanca interruptora hacia usted. Una vez que la máquina se encienda, suelte el botón de trabado de seguridad y proceda con la operación (Fig. 9).
3. Para detener la escarificadora + aireadora, suelte la palanca interruptora.



⚠ ¡ADVERTENCIA! El cilindro con puntas continuará girando por un breve periodo luego de que la unidad haya sido apagada. No incline ni levante la unidad mientras el motor esté aún funcionando, y no toque el cilindro cuando éste aún se encuentre girando. No obedecer esta advertencia puede causar graves lesiones personales.

Protección contra sobrecargas

La protección contra sobrecargas se activará en las siguientes situaciones:

1. Si hay acumulación de material escarificado alrededor del dispositivo de corte;
2. Si el material escarificado es más grande que lo que permite el motor; o
3. Si hay demasiada resistencia al dispositivo de corte.

Cuando el disyuntor se haya disparado, apague la máquina y retire las baterías.

Deje que el producto se enfríe por cinco minutos y elimine la causa del disparo del disyuntor antes de volver a usar la máquina.

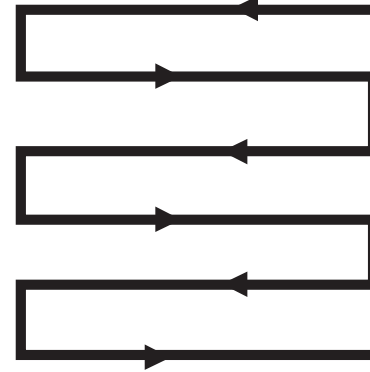
Operación general

⚠ ¡ADVERTENCIA! Si la máquina golpea un objeto extraño, apáguela, retirele las baterías y permita que se enfríe. Inspeccione la máquina minuciosamente en busca de daños. Haga reparar cualquier daño antes de reiniciar la máquina.

⚠ ¡ADVERTENCIA! Una vibración excesiva del producto durante la operación indica la presencia de daños. El producto debe ser inspeccionado y reparado oportunamente.

- Inspeccione la máquina y sus accesorios en busca de daños antes de cada uso. No use la máquina si está dañada o muestra señales de desgaste.
- Vuelva a verificar que los accesorios estén colocados correctamente.
- Empuje la escarificadora + aireadora hacia adelante por su empuñadura. Mantenga seca la empuñadura para asegurar una sujeción segura.
- Asegúrese de que los conductos de ventilación estén siempre despejados y sin obstrucciones. De ser necesario, límpielos con un cepillo suave. Los conductos de ventilación obstruidos pueden causar sobrecalentamiento y dañar el producto.
- Apague inmediatamente la escarificadora + aireadora si usted es interrumpido durante el trabajo por otras personas que entren al área de trabajo. Siempre permita que la máquina se detenga por completo.
- No trabaje en exceso. Tome descansos regulares para asegurarse de estar concentrado en el trabajo y tener un total control sobre la escarificadora + aireadora.
- Corte el césped antes de trabajar, y posteriormente fertilice.
- Asegúrese de que el césped esté libre de piedras, palos, alambres u otros objetos que puedan dañar la máquina o su motor.
- Seleccione la profundidad adecuada de escardado y rastrillado (aireado) para la altura real de las hojas de césped.
- No trabaje con esta máquina en un césped mojado ya que tiende a adherirse a la parte inferior de la máquina, evitando la descarga adecuada de material recolectado; también puede hacer que usted se resbale y caiga.
- Lentamente empuje la máquina hacia adelante. Mueva la máquina a una velocidad apropiada No la mueva muy rápido con el fin de evitar que el conducto de descarga se obstruya y que el motor se sobrecargue.
- Trabaje en filas ligeramente superpuestas. El patrón más efectivo de corte para escarificar y rastrillar (airear) césped es líneas rectas a lo largo de uno de los lados. Esto mantendrá las filas parejas y asegurará que todo el césped sea escarificado o aireado sin perderse ningún área (Fig. 10).

Fig. 10



- Pase en círculos alrededor de canteros. Al llegar a un cantero en el medio del césped, haga una fila o dos alrededor de la circunferencia del cantero.
- Preste mucha atención al cambiar de dirección.

Escarificado

Tenga en cuenta el clima al escarificar. Escarifique el césped con una profundidad mayor durante la primavera, entre abril y mayo (hemisferio Norte), ya que el césped se recupera mejor durante esta temporada. Escarifique a fines del verano con una profundidad menor si fue una estación mojada. No escarifique durante periodos calurosos.

Rastrillado (aireado)

Para que un césped saludable se desarrolle en la primavera, es necesario que cantidades mayores de aire penetren el área alrededor de las raíces del césped. Recomendamos airear el césped cada 4 – 6 semanas, dependiendo de las condiciones de su césped.

Mantenimiento

⚠ ¡ADVERTENCIA! Antes de realizar cualquier tarea de servicio o reparación, asegúrese de que las baterías hayan sido retiradas de su compartimiento. ¡Las tareas de mantenimiento y reparación distintas a las descritas dentro de este manual de instrucciones solo deben ser llevadas a cabo por un especialista calificado!

Servicio + almacenamiento

Para garantizar un servicio prolongado y confiable, lleve a cabo las siguientes tareas de mantenimiento de forma regular. Las tareas de mantenimiento y limpieza en la máquina y el retiro de los protectores solo deben ser llevados a cabo luego de que el motor haya sido apagado y las baterías hayan sido retiradas del compartimiento.

- Mantenga todos los pernos y tornillos ajustados para garantizar que la máquina esté en una condición segura de funcionamiento.

- Permita que la máquina se enfríe antes de guardarla en cualquier lugar cerrado.
- Verifique frecuentemente la bolsa recolectora de paja en búsqueda de desgaste o deterioro.
- Examine el producto de forma regular y reemplace las partes gastadas o dañadas por seguridad.
- Verifique que las cubiertas y protectores estén sin daños y colocados correctamente. Lleve a cabo las tareas necesarias de mantenimiento o reparación antes de usar la máquina.
- Si el dispositivo de corte falla a pesar del cuidado tomado en su fabricación y evaluación, su reparación deberá ser realizada en un centro de servicio autorizado.
- No limpie la máquina mientras esté funcionando.
- Asegúrese de que todos los componentes de ajuste (tornillos, tuercas, etc.) estén bien apretados en todo momento para que usted pueda trabajar de forma segura con la máquina.
- Inspeccione frecuentemente la máquina en búsqueda de daños. Reemplace las partes gastadas o dañadas.
- Guarde su máquina en un lugar seco. Para asegurar un ciclo de servicio útil prolongado, todos los tornillos y pernos deben ser limpiados y luego aceitados.
- Limpie la máquina con un cepillo o paño. No use ningún solvente o agua para retirar suciedad.
- Los componentes que están más propensos al desgaste son el cilindro escarificador y el cilindro rastrillador (aireador). Por lo tanto usted debe verificar la condición e instalación de los cilindros en intervalos regulares.
 - Si los cilindros están gastados o sus cuchillas o púas desafiladas, deberán ser reemplazados inmediatamente.
 - Si la máquina empieza a sufrir un exceso de vibraciones, significa que el dispositivo de corte no ha sido balanceado correctamente o ha sufrido una deformación debido a impactos. En este caso, debe ser reparado o reemplazado.

Almacenamiento de la batería y el cargador fuera de temporada

1. No exponga sus baterías o cargador al agua o lluvia, ni permita que se mojen. Esto podría dañar permanentemente las baterías y el cargador. No use aceites o solventes para limpiar o lubricar sus baterías ya que sus cubiertas de plástico pueden tornarse quebradizas y romperse, causando graves lesiones personales.
2. Guarde las baterías y el cargador a una temperatura ambiente, lejos de la humedad. No los guarde en lugares húmedos donde los terminales se puedan corroer. Como con cualquier otro tipo de baterías, puede ocurrir una pérdida permanente de capacidad si las baterías son almacenadas por largos periodos de tiempo a elevadas temperaturas (más de 120°F [49°C]).
3. Las baterías de iones de litio 24V* de IONMAX™ mantienen su carga durante el almacenamiento por más tiempo que otras baterías. Como costumbre, es mejor desenchufar

el cargador y retirar las baterías cuando no estén siendo usados. Recargue las baterías cada seis meses al 50% de su capacidad (dos luces encendidas) durante el almacenamiento fuera de temporada para mantener un rendimiento óptimo de la batería.

Reemplazo/ cambio del dispositivo de corte

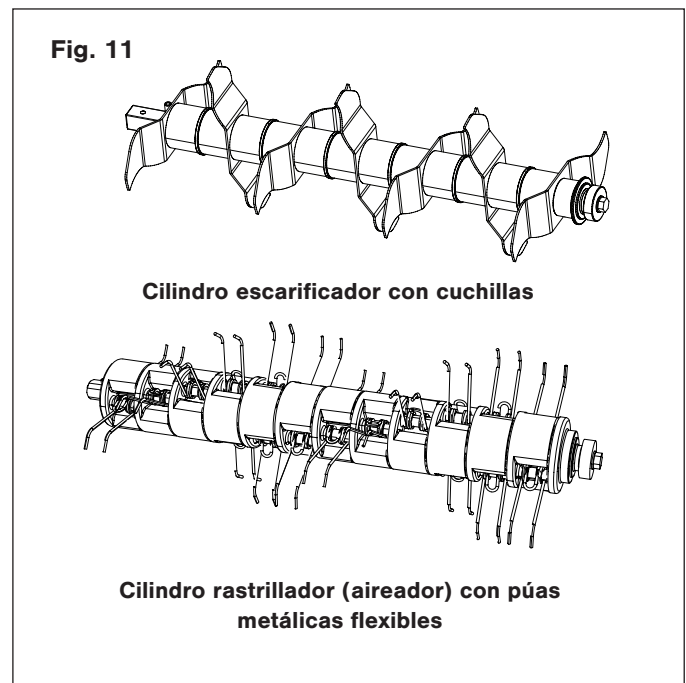
⚠ ¡ADVERTENCIA! Siempre apague la máquina, retire las baterías, y deje que se enfríe antes de cambiar o reemplazar el dispositivo de corte.

⚠ ¡ADVERTENCIA! Los dispositivos de corte son muy afilados y se calientan durante el uso. Manipúlelos cuidadosamente.

⚠ ¡ADVERTENCIA! Use guantes de seguridad al manipular dispositivos de corte para evitar lesiones personales como cortes o quemaduras.

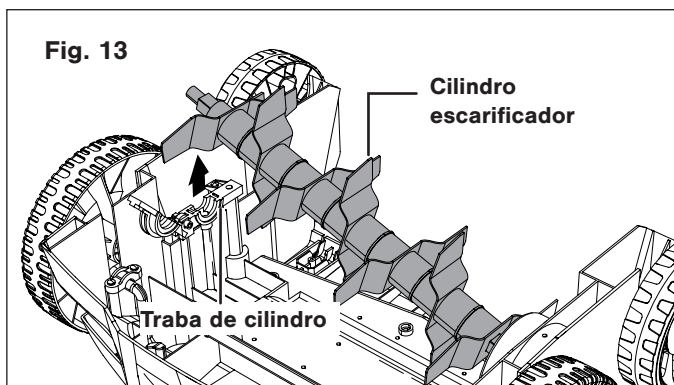
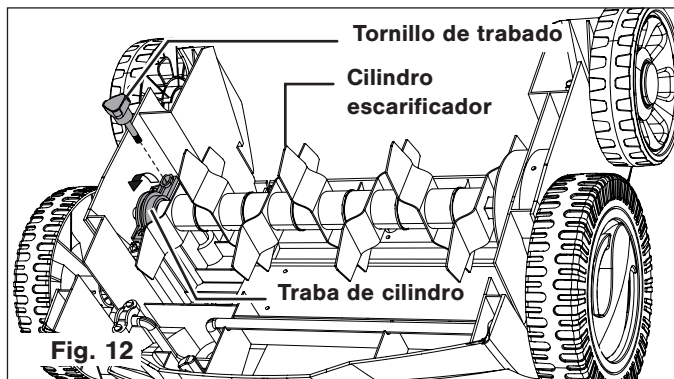
⚠ ¡ADVERTENCIA! Asegúrese de que todos los pernos estén completamente ajustados antes de operar la máquina. No opere la máquina si cualquier perno está perdido, suelto o dañado.

El producto tiene dos funciones: escarificado y rastrillado (aireado). El cilindro escarificador está preensamblado en la máquina. El cilindro rastrillador (aireador) está incluido en la caja de suministros. El cilindro puede ser cambiado de acuerdo a la aplicación (Fig. 11).

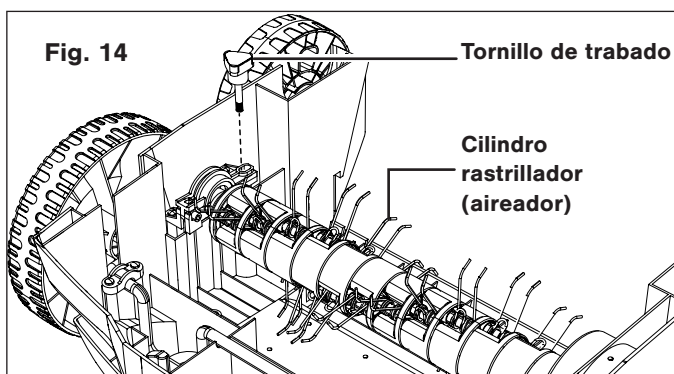


⚠ ¡ADVERTENCIA! Antes de realizar cualquier tarea de mantenimiento en la unidad, retire las baterías y espere a que el cilindro con puntas se detenga por completo. Use guantes protectores al manipular los cilindros.

1. Retire la bolsa recolectora de paja.
2. Coloque la máquina al revés sobre una superficie plana y estable para acceder a su cuerpo inferior.
3. Retire el tornillo de traba y abra la traba usada para sujetar el cilindro escarificador. Levante el cilindro escarificador para sacarlo de la carcasa (Figs. 12 y 13).



4. Inserte el cilindro rastrillador (aireador) y presiónelo contra el sujetador. Asegure la traba nuevamente y fije el ensamblado con el tornillo de traba (Fig. 14).



5. Vuelva a colocar la escarificadora + aireadora de césped sobre sus ruedas. Vuelva a conectar la bolsa recolectora de paja y reanude la operación.

NOTA: si tiene preguntas o necesita ayuda, comuníquese con la central de servicio al cliente All Season Power llamando al 1-866-225-9723.

Después del uso

1. Apague la máquina, retirele las baterías, y permita que se enfríe.
2. Inspeccione, limpie y almacene la máquina tal como se describió anteriormente.

Bolsa recolectora de paja

1. Inspeccione la bolsa recolectora de césped antes de cada uso. No la use si encuentra algún daño.
2. Limpie la bolsa recolectora de césped luego de la operación. Deje que la bolsa recolectora de césped se seque completamente antes de guardarla para evitar enmohecimiento.

Transporte

1. Apague la máquina y quitele las baterías antes de llevarla a cualquier lugar.
2. Ajuste la profundidad de escarificado/rastrillado a nivel de transporte (consulte "ajuste de profundidad de escarificado/rastrillado" en la página 34).
3. Transporte siempre la máquina por sus mangos.
4. Proteja la máquina contra cualquier golpe duro o vibraciones fuertes que puedan ocurrir durante el transporte en vehículos.
5. Asegure el producto para evitar que se caiga o resbale.

Precaución y eliminación de las baterías


Deshágase de sus baterías de acuerdo con los reglamentos federales, estatales y locales. Para encontrar lugares de reciclaje, comuníquese con un servicio de reciclaje en su localidad.

⚠ ¡PRECAUCIÓN! Incluso las baterías descargadas contienen algo de energía. Antes de deshacerse de estas, use cinta aislante para cubrir los terminales y evitar que la batería haga cortocircuito, lo cual puede causar una explosión o incendio.

⚠ ¡ADVERTENCIA! Para reducir el riesgo de lesiones personales o explosión, nunca queme ni incinere una batería incluso si está dañada, inservible o completamente descargada. Al ser quemada la batería, los humos y materiales tóxicos son lanzados a la atmósfera circundante.

1. Las baterías varían de acuerdo al dispositivo. Consulte su manual para obtener la información específica.
2. Instale solo nuevas baterías del mismo tipo en su producto (donde corresponda).

Solución de problemas

 **¡ADVERTENCIA!** ¡Solo lleve a cabo los pasos descritos en estas instrucciones!

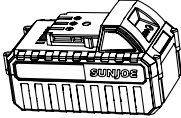
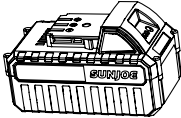

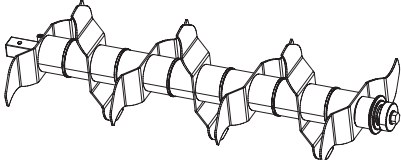
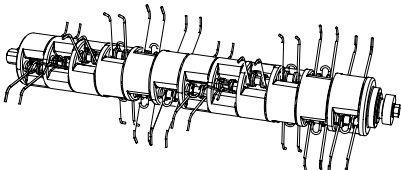
Todas las demás inspecciones, así como tareas de mantenimiento y reparación deberán ser llevadas a cabo por un centro de servicio autorizado o un especialista similarmente calificado si es que usted mismo no puede resolver el problema.

Los desperfectos sospechados, disturbios o daños son generalmente debidos a causas que el usuario puede arreglar por sí mismo. Siga las instrucciones de solución de problemas a continuación al revisar la unidad. En la mayoría de los casos, el problema puede ser resuelto rápidamente y la aireadora puede ser restaurada a su condición de trabajo normal.

Problema	Causa posible	Solución
La máquina no enciende.	<ul style="list-style-type: none"> a) Las baterías no están insertadas correctamente. b) Baterías sin carga. c) Otro defecto eléctrico del producto. d) Botón de trabado de seguridad no presionado. 	<ul style="list-style-type: none"> a) Reinserte las baterías. b) Cargue las baterías. c) Contacte a un representante de servicio autorizado. d) Presione primero el botón de trabado de seguridad, y luego la palanca de encendido/apagado.
La máquina no alcanza su máxima potencia.	<ul style="list-style-type: none"> a) Las baterías casi no tienen carga. b) Las rejillas de ventilación están bloqueadas. 	<ul style="list-style-type: none"> a) Cargue las baterías. b) Limpie las rejillas de ventilación.
Resultados insatisfactorios.	<ul style="list-style-type: none"> a) Dispositivo de corte gastado. b) El material escarificado excede la capacidad. c) La profundidad de escarificado es incorrecta. 	<ul style="list-style-type: none"> a) Reemplace el cilindro de púas (vea la página 37). b) Solo escarifique materiales de acuerdo a la capacidad del producto. c) Ajuste la profundidad.

Accesorios opcionales

⚠ ¡ADVERTENCIA! USE SIEMPRE solo partes de repuesto y accesorios Snow Joe® + Sun Joe®. NUNCA use partes de repuesto o accesorios que no estén destinados para su uso con esta escarificadora + aireadora inalámbrica. Comuníquese con All Season Power si tiene dudas sobre si es seguro usar una parte de repuesto o accesorio en particular con su escarificadora + aireadora inalámbrica. El uso de cualquier otro accesorio o parte puede ser peligroso y causar lesiones personales o daños mecánicos.

Accesorio	Descripción	Modelo
<p>1</p> 	<p>Batería de iones de litio 24V* de IONMAX™ y 4.0 Ah</p>	<p>24VBAT</p>
<p>2</p> 	<p>Batería de iones de litio 24V* de IONMAX™ y 5.0 Ah</p>	<p>24VBAT-XR</p>
<p>3</p> 	<p>Cargador rápido de batería de iones de litio 24V* de IONMAX™</p>	<p>24VCHRG-QC</p>
<p>4</p> 	<p>Cilindro escarificador de repuesto</p>	<p>24V-X2-DTS15-SCRF</p>
<p>5</p> 	<p>Cilindro rastrillador de repuesto</p>	<p>24V-X2-DTS15-RAK</p>

NOTA: los accesorios están sujetos a cambios sin obligación alguna por parte de All Season Power de notificar sobre dichos cambios. Los accesorios pueden ser pedidos en línea en shopjoe.com o vía telefónica llamando a la central de servicio al cliente All Season Power al 1-866-225-9723.



LA PROMESA DE ALL SEASON POWER AL CLIENTE

POR SOBRE TODO, en All Season Power, LLC (“All Season Power”) estamos dedicados a usted, nuestro cliente. Nos esforzamos por hacer que su experiencia sea lo más placentera posible. Desafortunadamente, hay veces en que un producto Snow Joe®, Sun Joe®, Aqua Joe®, o Auto Joe® (el “Producto”) no funciona o sufre un desperfecto bajo condiciones normales de operación. Creemos que es importante que usted sepa que puede confiar en nosotros. Es por eso que tenemos esta Garantía Limitada (la “Garantía”) para nuestros Productos.

NUESTRA GARANTÍA:

All Season Power garantiza que sus Productos motorizados y no motorizados, nuevos y genuinos, están libres de defectos materiales o de mano de obra al ser usados en tareas domésticas normales durante un periodo de dos (2) años a partir de la fecha de entrega del Producto al comprador original, cuando este último los compra a través de All Season Power o un vendedor autorizado por All Season Power y ha obtenido un comprobante de compra. Ya que All Season Power no puede controlar la calidad de sus Productos vendidos por vendedores no autorizados, a menos que la ley lo prohíba esta Garantía no cubre Productos adquiridos a través de vendedores no autorizados. Si su Producto no funciona, o hay un problema con una parte específica que está cubierta por los términos de esta Garantía, All Season Power elegirá entre: (1) enviarle una parte de repuesto gratuita; (2) reemplazar el Producto con uno nuevo o similar sin costo alguno; o (3) reparar el Producto. ¡Un excelente soporte!

Esta Garantía le da derechos legales específicos, y usted puede también tener otros derechos según el Estado.

REGISTRO DEL PRODUCTO:

All Season Power le recomienda enfáticamente registrar su Producto. Puede registrar su producto en línea visitando shopjoe.com/register, imprimiendo y enviando por correo una tarjeta de registro disponible en línea en nuestro sitio Web, llamando a nuestra central de servicio al cliente al **1-866-225-9723**, o enviándonos un e-mail a help@shopjoe.com. Si usted no registra su Producto, sus derechos de garantía no disminuirán; sin embargo, registrar su Producto permitirá que All Season Power le pueda atender mejor si usted tiene alguna necesidad como cliente.

¿QUIÉN PUEDE SOLICITAR COBERTURA DE GARANTÍA LIMITADA?

Esta Garantía es otorgada por All Season Power al comprador original y propietario original del Producto.

¿QUÉ NO ESTÁ CUBIERTO?

Esta Garantía no se aplica si el Producto ha sido usado de forma comercial o en aplicaciones no domésticas o de alquiler. Esta Garantía tampoco se aplica si el Producto fue adquirido desde un vendedor no autorizado. Esta garantía tampoco cubre cambios cosméticos que no afecten el funcionamiento del Producto. Las partes desgastables como correas, brocas y cuchillas no están cubiertas por esta Garantía, y pueden ser compradas visitando shopjoe.com/support o llamando al **1-866-225-9723**.



Mantenga su garantía intacta. Utilice únicamente piezas de repuesto y accesorios **AUTÉNTICOS CERTIFICADOS** de Snow Joe®, Sun Joe®, Aqua Joe® y Auto Joe®. El uso de cualquier otra pieza o accesorio anulará la garantía. Las piezas y accesorios genuinos se pueden encontrar y comprar en línea en shopjoe.com/support al ingresar el número de modelo de su producto.



FR

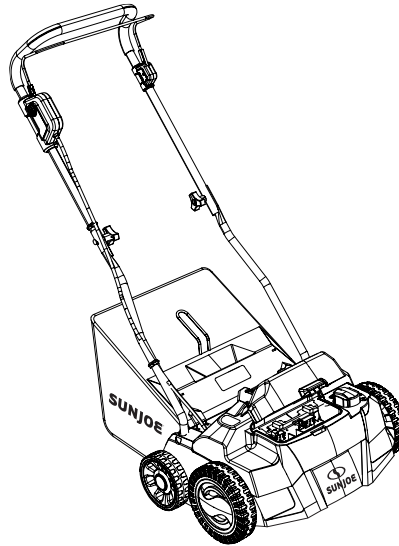
SCARIFICATEUR-AÉRATEUR DE PELOUSE SANS CORDON

MANUEL D'UTILISATION

48 V* IONMAX™ | 4,0 Ah | 38 cm

Modèle 24V-X2-DTS15

Formulaire n° ASP-24V-X2-DTS15-880F-MR3(S)



MERCI POUR VOTRE ACHAT!

SCANNEZ
ENREGISTREZ
EN LIGNE AUJOURD'HUI



- ✓ ACTIVEZ VOTRE **GARANTIE DE 2 ANS**
- ✓ RECEVEZ EN **PRIME UNE EXTENSION DE 90 JOURS**
- ✓ RENDEZ-VOUS SUR LE SITE **SHOPJOE.COM/REGISTER**

Le défaut d'enregistrer votre achat de produit ne diminuera pas vos droits de garantie. Pour plus d'informations, visitez shopjoe.com.



AMÉLIOREZ VOTRE COUVERTURE SUR SHOPJOE.COM/REGISTER

POUR UNE COUVERTURE TOTALE DE L'OUTIL JUSQU'À 3, 4 OU 5 ANS

Quand nous disons que nous soutenons notre produit, nous le pensons ! Maintenant, vous pouvez souffler, tondre, couper, scier ou vous occuper de toute autre tâche dans le jardin en toute confiance, en sachant que si votre outil présente un problème pendant la période de garantie, nous le résoudrons volontiers.

VOTRE EXPÉRIENCE AVEC SNOW JOE VOUS A-T-ELLE FAIT SOURIRE? 😊

DITES-LE À VOS AMIS ET IDENTIFIEZ-NOUS!

Nous aimons connaître vos commentaires ! Partagez votre expérience en écrivant des commentaires et des avis sur shopjoe.com ou connectez-vous avec nous sur les réseaux sociaux!



@SNOWJOECO

#GOWITHJOE

OU QUELQUE CHOSE NE VOUS A-T-IL PAS LAISSÉ ENTIÈREMENT SATISFAIT ? 😐

NOUS SOMMES DÉSOLÉS POUR CELA!

Notre équipe sympathique du service client est prête à vous aider avec tout problème que vous pourriez rencontrer, du lundi au dimanche de 9 h à 17 h, heure de l'Est.

APPELEZ-NOUS, ENVOYEZ-NOUS UN E-MAIL, DISCUTEZ AVEC NOUS

✉ HELP@SHOPJOE.COM
Pour une réponse rapide

📞 SHOPJOE.COM 📞 1-866-225-9723

Instructions d'origine.

© 2025 All Season Power LLC.

Snow Joe®, Sun Joe®, Aqua Joe®, Auto Joe®, et Power Joe® sont des marques déposées utilisées sous licence de Weather Brands LLC.

New Castle, DE 19720

***DÉNI DE RESPONSABILITÉ :** Génère 48 V max. grâce à deux batteries au lithium-ion de 24 V. La tension initiale à vide, par bloc-pile à charge complète, grimpe à 24 V; la tension nominale sous charge typique est de 21,6 V.

CONSERVER CES INSTRUCTIONS

SCARIFICATEUR-AÉRATEUR DE PELOUSE SANS CORDON

48 V* IONMAX™ | 4,0 Ah | 38 cm

MANUEL D'UTILISATION

Modèle 24V-X2-DTS15

Formulaire n° ASP-24V-X2-DTS15-880F-MR3

IMPORTANT!

Consignes de sécurité

Tous les utilisateurs doivent lire ces instructions avant d'utiliser la machine

Suivez toujours ces consignes de sécurité. Ne pas s'y conformer peut entraîner de graves blessures pouvant même être fatales.

AVERTISSEMENTS d'ordre général en matière de sécurité!

Quand vous utilisez ce scarificateur-aérateur sans cordon, les précautions de sécurité de base doivent toujours être suivies pour réduire le risque d'incendie, de secousse électrique ou de dommages corporels.

Avant d'utiliser le scarificateur-aérateur, prenez le temps de vous familiariser avec les commandes, spécialement la façon d'arrêter la machine en cas d'urgence. Les seules personnes qui doivent utiliser le scarificateur-aérateur sont celles qui comprennent parfaitement les instructions et qui savent comment utiliser la machine. Les enfants ne doivent jamais être autorisés à avoir accès au scarificateur-aérateur.

Conservez ce manuel pour le consulter éventuellement dans le futur et relisez-le au début de chaque saison de déchaumage.

Sécurité générale

- 1. Maintenir la zone de travail propre et bien éclairée** – Les endroits encombrés et sombres sont propices aux accidents.
- 2. Pièces de rechange** – Pour réparer cette machine, utilisez uniquement des pièces de rechange identiques.
- 3. Maintenir à l'écart les enfants, les spectateurs et les animaux familiers** – Tous les spectateurs, notamment les animaux familiers, doivent être maintenus à une distance de sécurité de la zone de travail.
- 4. S'habiller en conséquence** – Ne portez ni vêtements amples ni bijoux, ceux-ci pouvant se prendre dans les pièces mobiles. Les cheveux longs doivent être ramassés sous un couvre-chef. Pour tout travail à l'extérieur, il est

recommandé de porter des gants en caoutchouc et des chaussures antidérapantes et suffisamment montantes.

- 5. Prévenir les démarrages accidentels** – Avant d'insérer les blocs-piles, de saisir la machine ou de la transporter, assurez-vous que l'interrupteur est à la position d'arrêt. Le transport de la machine en ayant le doigt sur l'interrupteur ou en ayant mis l'interrupteur à la position de marche augmente le risque d'accident.
- 6. Retirer les blocs-piles de la machine avant de procéder à un réglage, de changer d'accessoire ou de la remiser** – Ces mesures préventives de sécurité visent à réduire le risque de démarrage accidentel de la machine.
- 7. Ne pas forcer la machine** – Elle fonctionnera mieux, sera moins dangereuse et moins susceptible de tomber en panne si elle est utilisée au régime pour lequel elle a été conçue.
- 8. Porter un équipement de protection individuel** – Lorsque vous utilisez cette machine, portez des lunettes de sécurité munies d'écrans latéraux ou des lunettes de protection pour vous protéger efficacement les yeux. Portez des protecteurs d'oreille pour prévenir toute diminution de l'acuité auditive. Utilisez un protecteur facial ou un masque antipoussières si l'environnement de travail est poussiéreux.
- 9. Retirer les batteries** – Déconnectez le scarificateur-aérateur de la source d'alimentation électrique en retirant les batteries quand vous ne l'utilisez pas, avant d'intervenir dessus, quand vous changez d'accessoire ou quand vous effectuez toute autre tâche d'entretien.
- 10. Lorsqu'elle n'est pas utilisée, ranger la machine à l'intérieur** – Si vous ne l'utilisez pas, le scarificateur-aérateur doit être remis à l'intérieur dans un endroit sec, surélevé et sous clé, hors de portée des enfants.
- 11. Effectuer avec soin l'entretien du scarificateur-aérateur** – Pour que leur rendement soit optimal et qu'ils puissent être utilisés sans danger, maintenez les tranchants affûtés et propres. Maintenez les poignées sèches, propres et exemptes d'huile et de graisse.
- 12. Utiliser la bonne machine** – N'utilisez pas la machine pour des travaux différents de ceux auxquels elle est destinée.
- 13. Éviter les endroits dangereux** – N'utilisez pas le scarificateur-aérateur sous la pluie ou dans les endroits humides.

***DÉNI DE RESPONSABILITÉ :** Génère 48 V max. grâce à deux batteries au lithium-ion de 24 V. La tension initiale à vide, par bloc-pile à charge complète, grimpe à 24 V; la tension nominale sous charge typique est de 21,6 V.

CONSERVER CES INSTRUCTIONS

14. **Rester vigilant** – Surveillez ce que vous faites. Faites preuve de bon sens. N'utilisez pas le scarificateur-aérateur si vous êtes fatigué, si vous avez consommé de l'alcool ou de la drogue ou si vous avez pris des médicaments.
15. **Ne pas s'arc-bouter** – Restez en permanence sur les deux pieds pour ne pas perdre l'équilibre.
16. **Vérifier s'il y a des pièces endommagées** – Avant d'utiliser la machine, inspectez-la soigneusement pour vérifier que les dispositifs de protection ou toute autre pièce ne sont pas endommagés et pour vous assurer qu'elle fonctionne correctement pour l'utilisation à laquelle elle est destinée. Vérifiez l'alignement des pièces mobiles, l'absence de grippage des pièces mobiles, de rupture de pièce, le montage et tout autre problème susceptible d'entraver le bon fonctionnement de la machine. Tout dispositif de protection ou toute autre pièce endommagés doivent être réparés ou remplacés de façon appropriée. Communiquez avec le service à la clientèle All Season Power en appelant le 1-866-225-9723 pour de l'aide.

Sécurité électrique

⚠️ AVERTISSEMENT! Lire en totalité les avertissements de sécurité et les consignes. Le non-respect des avertissements et des consignes de sécurité pourrait être à l'origine d'une secousse électrique, d'un incendie et/ou de graves dommages corporels.

1. Rechargez uniquement à l'aide du chargeur spécifié par le fabricant. Un chargeur qui est adapté pour un type de blocs-piles peut présenter un risque d'incendie lorsqu'il est utilisé avec un autre type de blocs-piles.
2. Utilisez le chargeur uniquement avec le type de blocs-piles spécifiquement indiqué. L'utilisation d'un autre type de blocs-piles peut présenter un risque de blessure et d'incendie.
3. Lorsque vous n'utilisez pas les blocs-piles, rangez-les à l'écart d'autres objets métalliques, par exemple les trombones, pièces de monnaie, clés, clous, vis ou autres petits objets métalliques qui peuvent établir un contact entre les deux bornes. Le court-circuit des bornes d'une batterie peut être à l'origine de brûlures ou d'un incendie.
4. Du liquide peut être éjecté d'une batterie malmenée; évitez tout contact. En cas de contact accidentel, rincez abondamment à l'eau. En cas de contact du liquide avec les yeux, consultez un médecin. Le liquide qui s'échappe de la batterie peut causer une irritation ou des brûlures.
5. Ne pas utiliser un bloc-piles ou un chargeur qui est endommagé ou modifié. Les batteries endommagées ou modifiées peuvent se comporter de manière imprévisible et être la cause d'un incendie, d'une explosion ou de dommages corporels.
6. N'exposez ni les blocs-piles ni le chargeur à un feu ou une température excessive. Une exposition à un feu ou une température supérieure à 40,5 °C peut déclencher une explosion.

7. Suivez toutes les instructions de charge des blocs-piles et du chargeur en veillant à ne jamais procéder à cette opération à une température en dehors de la zone spécifiée dans ces instructions. Charger une batterie de façon inappropriée ou à une température en dehors de la zone de sécurité spécifiée peut l'endommager et augmenter le risque d'incendie.
8. Ne modifiez pas ou n'essayez pas de réparer les blocs-piles ou le chargeur sauf, le cas échéant, précisions contraires concernant leur utilisation ou leur entretien.

Entretien et réparation

1. Confiez vos réparations à un réparateur qualifié utilisant uniquement des pièces de rechange identiques. C'est à ce prix que la sécurité du produit sera préservée.
2. Ne modifiez pas le chargeur ou les blocs-piles ou n'essayez pas de les réparer, sauf précisions contraires concernant leur utilisation ou leur entretien.

IMPORTANT!

Consignes de sécurité pour les scarificateurs-aérateurs poussés

Généralités concernant l'utilisation

- Avant de démarrer, lisez, comprenez et suivez toutes les instructions sur la machine et dans le ou les manuels.
- Inspectez soigneusement le terrain où la machine doit être utilisée et retirez tous les corps étrangers.

⚠️ AVERTISSEMENT! Des corps étrangers se trouvant dans la zone de travail peuvent être ramassés par le scarificateur-aérateur et être projetés dans les yeux, ce qui peut entraîner de graves blessures. Outre l'inspection de la zone de travail et l'élimination de tous les corps étrangers s'y trouvant avant de commencer à déchaumer, portez toujours des lunettes de sécurité ou des lunettes de protection munies d'écrans latéraux et, au besoin, un masque facial intégral.

- Utilisez le scarificateur-aérateur sans cordon uniquement à la lumière du jour ou sous un bon éclairage artificiel.
- N'utilisez pas la machine sans porter de vêtements extérieurs appropriés. Portez des chaussures de protection permettant d'avoir une meilleure prise sur les surfaces glissantes.
- N'essayez jamais de procéder à des réglages quand le moteur tourne.
- N'utilisez jamais le scarificateur-aérateur dans de l'herbe humide. Assurez toujours vos pas; marchez, ne courez jamais quand vous utilisez la machine.
- Ne mettez ni les mains ni les pieds sous les pièces tournantes ou à proximité.

- Faites preuve d'une extrême prudence lorsque vous utilisez la machine ou lui faites traverser des chemins, des allées ou des routes de gravier. Soyez à l'affût des dangers cachés et de la circulation.
- Faites très attention pour éviter de glisser ou de tomber.
- Arrêtez le moteur et retirez les batteries toutes les fois que vous devez quitter la position d'utilisation de la machine, avant de la transporter, avant de décrocher les dents et lorsque vous réparez, réglez ou inspectez la machine.
- Prenez toutes les précautions nécessaires quand vous laissez la machine sans surveillance. Arrêtez le moteur et retirez les batteries.
- Avant de nettoyer, réparer ou inspecter la machine, coupez le moteur, retirez les batteries et patientez jusqu'à ce que toutes les pièces mobiles soient à l'arrêt complet.
- N'utilisez jamais la machine sans que les carters de protection, plaques de protection et autres dispositifs de protection et de sécurité appropriés soient en place et en bon ordre de marche.
- Maintenez les enfants et les animaux familiers à bonne distance.
- Ne surchargez pas la capacité de la machine en essayant de déchaumer à une trop grande profondeur et à un régime trop rapide.
- Ne déplacez pas la machine à une vitesse élevée sur un sol dur ou glissant.
- N'autorisez jamais de spectateurs à s'approcher de la machine quand elle est en cours d'utilisation.
- Utilisez uniquement des accessoires homologués par le fabricant de la machine.
- N'utilisez jamais la machine sans bonne visibilité ou éclairage adéquat.
- Soyez vigilant quand vous déchaumez sur un sol dur. Les dents peuvent se bloquer dans le sol et propulser la machine vers l'avant. Si ceci se produit, relâchez le levier marche/arrêt et ne cherchez pas à retenir la machine.
- Faites preuve d'une extrême prudence lorsque vous entamez une marche arrière ou lorsque vous tirez la machine vers vous.
- Si la machine doit être basculée pour la déplacer, attendez que les dents s'arrêtent. Ne faites pas tourner les dents lorsque vous traversez des terrains où il n'y a pas d'herbe et lorsque vous déplacez la machine d'une zone de travail à une autre.
- N'inclinez pas la machine lorsque vous mettez le moteur en marche, sauf si cela est nécessaire pour la démarrer. Dans ce cas, inclinez-la en vous limitant à ce qui est absolument nécessaire et levez uniquement la partie qui est à l'opposé de l'utilisateur.
- Ne démarrez pas le moteur en restant debout derrière l'ouverture d'éjection.
- Mettez le moteur en marche avec précaution en suivant les instructions et maintenez les pieds à l'écart des dents en rotation.
- Ne soulevez ou ne portez jamais la machine quand le moteur tourne.
- Arrêtez le moteur et retirez les batteries :
 - avant de retirer ce qui peut bloquer la machine ou obstruer l'ouverture d'éjection;
 - avant d'effectuer une vérification sur la machine, de la nettoyer ou d'intervenir dessus;
 - après avoir heurté un corps étranger. Inspectez la machine pour vérifier si elle a été endommagée et réparez-la avant de la redémarrer et de l'utiliser à nouveau;
 - si la machine commence à vibrer anormalement (vérifiez-la immédiatement);
 - toutes les fois que vous laissez la machine sans surveillance.
- N'utilisez jamais le scarificateur-aérateur sans que le sac à chaume soit solidement attaché.
- **AVERTISSEMENT!** Faire très attention aux dents acérées. Les dents continueront de tourner après avoir coupé le moteur.

Utilisation sur terrain pentu

Les terrains pentus sont la cause majeure d'accidents dus à des glissades ou à des chutes et aux graves blessures qu'ils peuvent entraîner. L'utilisation d'un scarificateur-aérateur sur terrain pentu exige une extrême vigilance. Si vous ne vous sentez pas à l'aise sur un terrain pentu, ne le déchaumez pas.

- Déchaumez en travers de la pente, jamais en montant ou en descendant. Faites preuve d'une extrême prudence lorsque vous changez de direction sur un terrain pentu.
- Faites attention aux trous, aux ornières, aux bosses, aux roches et à tout ce qui peut être caché. Ils peuvent vous faire glisser ou tomber sans prévenir.
- Ne déchaumez pas sur de l'herbe mouillée ou un terrain excessivement pentu. Si vous êtes instable sur vos deux pieds, vous risquez de glisser ou de tomber.
- Ne déchaumez pas à proximité d'à-pics, de fossés ou de talus. Vous pourriez perdre l'équilibre.

Sécurité des enfants

Des accidents tragiques peuvent se produire si l'utilisateur ne fait pas attention à la présence d'enfants. Les enfants font souvent preuve d'une grande curiosité à l'égard de la machine et de l'opération de déchaumage elle-même. Ne supposez jamais que les enfants resteront là où vous les avez vus pour la dernière fois.

- Maintenez les enfants à l'écart de la zone à déchaumer et sous la stricte surveillance d'un adulte responsable autre que l'utilisateur.
- Soyez vigilant et arrêtez la déchaumeuse si un enfant pénètre dans la zone de travail.
- Ne laissez jamais un enfant utiliser la machine.

- Redoublez d'attention en approchant les coins aveugles, les buissons, les arbres ou tout ce qui pourrait vous empêcher de voir un enfant.

Réduction des vibrations et du bruit

Pour réduire l'impact du bruit et la propagation des vibrations, limitez la durée d'utilisation, passez sur un mode d'utilisation produisant peu de vibrations et de bruit et portez également un équipement de protection individuelle. Tenez compte des points suivants pour réduire au minimum les risques d'exposition aux vibrations et au bruit :

- Utilisez la machine uniquement pour les travaux pour lesquels elle a été conçue et selon les instructions du fabricant.
- Assurez-vous que la machine est en bon état et qu'elle est bien entretenue.
- Utilisez les accessoires appropriés pour la machine et assurez-vous qu'ils sont en bon état.
- Tenez fermement le guidon des deux mains.
- Entretenez cette machine selon les instructions fournies dans ce manuel et maintenez-la toujours bien lubrifiée (le cas échéant).
- Planifiez votre emploi du temps pour répartir sur plusieurs jours l'utilisation d'une machine produisant beaucoup de vibrations.

Risques résiduels

Même si vous utilisez cette machine en respectant les consignes de sécurité, il y a toujours un risque de dommages corporels et matériels. La structure et la conception de cette machine peuvent présenter les dangers suivants :

- Problèmes de santé résultant de la propagation de vibrations si la machine est utilisée pendant de longues périodes ou si elle n'est pas utilisée à bon escient et mal ou insuffisamment entretenue.
- Dommages corporels et matériels dus à l'utilisation d'accessoires cassés ou au choc soudain avec des corps étrangers cachés.
- Danger de dommages corporels et matériels provoqués par des débris volants.

⚠ AVERTISSEMENT! Cette machine produit un champ électromagnétique pendant son utilisation! Ce champ peut, dans certaines circonstances, interférer avec des prothèses actives ou passives! Pour réduire le risque de blessures graves ou même fatales, nous recommandons que les personnes ayant des prothèses consultent leur médecin et le fabricant des prothèses avant d'utiliser cette machine.

Consignes de sécurité concernant les batteries et le chargeur

Nous avons consacré beaucoup de temps à la conception de chaque bloc-piles afin de nous assurer de vous fournir des batteries qui peuvent être utilisées sans danger, sont robustes et ont une énergie volumique élevée. Les cellules des batteries sont dotées d'un large éventail de dispositifs de sécurité. Chaque cellule individuelle est initialement formatée et ses courbes électriques caractéristiques sont enregistrées. Ces données sont ensuite utilisées exclusivement pour pouvoir assembler les meilleurs blocs-piles possibles.

Malgré toutes ces mesures de précaution, il faut toujours faire preuve de prudence lors de la manipulation des batteries. Pour utiliser sans danger les batteries, les points suivants doivent être observés en permanence. L'utilisation sans danger peut uniquement être garantie si les cellules sont intactes. Toute manipulation inappropriée d'un bloc-piles peut endommager les cellules.

IMPORTANT! Les analyses confirment que la mauvaise utilisation de batteries à haut rendement et un entretien laissant à désirer sont les principaux facteurs responsables de dommages corporels et/ou matériels.

⚠ AVERTISSEMENT! Utiliser uniquement des batteries de rechange homologuées. Les autres types de batteries peuvent endommager le scarificateur-aérateur sans cordon et entraver son bon fonctionnement, ce qui peut entraîner de graves blessures.

⚠ AVERTISSEMENT! Ne pas utiliser un bloc-piles ou un chargeur qui est endommagé ou modifié. Les batteries endommagées ou modifiées peuvent se comporter de manière imprévisible et provoquer un incendie ou une explosion ou présenter un risque de dommages corporels.

Ne modifiez pas le chargeur ou les blocs-piles ou n'essayez pas de les réparer, sauf précisions contraires concernant leur utilisation ou leur entretien.


Faites réparer ou entretenir vos blocs-piles par un réparateur qualifié utilisant uniquement des pièces de rechange identiques. C'est à ce prix que la sécurité des blocs-piles sera préservée.

⚠ MISE EN GARDE! Pour réduire le risque de blessures, charger les blocs-piles au lithium-ion 24 V* IONMAX™ uniquement à l'aide du chargeur au lithium-ion 24 V* IONMAX™ spécifiquement prévu à cet effet. Les autres types de chargeurs présentent des risques d'incendie et de dommages corporels et matériels. Ne pas brancher les blocs-piles sur le secteur ou l'allume-cigare d'une voiture. Les blocs-piles seraient définitivement et irrémédiablement endommagés.

- **Évitez les environnements dangereux** : ne chargez pas les blocs-piles sous la pluie, sous la neige ou dans les endroits humides. N'utilisez pas les blocs-piles ou le chargeur lorsque l'atmosphère est explosive (effluents gazeux, poussière ou matières inflammables), des étincelles pouvant se produire lors de l'insertion ou le retrait des blocs-piles, ce qui pourrait provoquer un incendie.
- **Chargez dans un endroit bien ventilé** : ne bloquez pas les orifices de ventilation du chargeur. Dégagez le voisinage immédiat du chargeur pour qu'il soit bien ventilé. Interdisez de fumer et n'autorisez la présence d'aucune flamme nue à proximité de blocs-piles se chargeant. Le gaz dispersé dans l'atmosphère peut exploser.

REMARQUE : la zone de température de sécurité pour les batteries est comprise entre 5 °C et 40,5 °C. Ne chargez pas les batteries à l'extérieur lorsqu'il gèle, chargez-les à température ambiante.

- **Prenez soin du cordon du chargeur** : lorsque vous débranchez le chargeur, tirez sur la fiche dans la prise et non sur le cordon pour éviter d'endommager la fiche électrique et le cordon. Ne tirez jamais le chargeur par le cordon et ne tirez pas brusquement sur le cordon pour le retirer de la prise. Maintenez le cordon éloigné de la chaleur, de l'huile et des arêtes vives. Pendant l'utilisation du chargeur, assurez-vous que personne ne marche sur le cordon, ne trébuche dessus et qu'il ne peut être ni endommagé ni soumis à des tensions ou des pressions. N'utilisez pas le chargeur si sa fiche ou son cordon est endommagé. Remplacez immédiatement tout chargeur endommagé.
- **N'utilisez pas de rallonge électrique, à moins que cela soit absolument nécessaire** : l'utilisation d'une rallonge électrique mal adaptée, endommagée ou mal branchée présente des risques d'incendie et de secousse électrique. S'il s'avère nécessaire d'utiliser une rallonge électrique, branchez le chargeur dans une rallonge électrique de calibre 16 ou plus gros, la fiche femelle correspondant à la fiche mâle sur le chargeur. Vérifiez que la rallonge électrique est en bon état.
- **Le chargeur 24VCHRГ-DPC est prévu uniquement pour 120 VCA** : le chargeur doit être branché dans une prise appropriée.
- **Utilisez uniquement des accessoires recommandés** : l'utilisation d'un accessoire non recommandé ou vendu par le fabricant du chargeur ou des blocs-piles peut provoquer un incendie, une secousse électrique ou des dommages corporels.
- **Débranchez tout chargeur non utilisé** : assurez-vous de retirer les blocs-piles d'un chargeur débranché.

 **AVERTISSEMENT!** Pour réduire le risque de secousse électrique, toujours débrancher le chargeur avant d'effectuer un nettoyage ou un entretien. Ne pas laisser d'eau couler dans le chargeur. Pour réduire le risque de secousse électrique, utiliser un disjoncteur différentiel de fuite de terre (DDFT).

- **Ne brûlez pas ou n'incinerez pas les blocs-piles** : ils peuvent exploser et provoquer des dommages corporels ou matériels. Des émanations et des substances toxiques se dégagent d'un bloc-piles qui brûle.
- **N'écrasez pas, ne faites pas tomber ou n'endommagez pas les blocs-piles** : n'utilisez pas les blocs-piles ou le chargeur s'ils ont reçu un coup brutal, s'ils sont tombés, s'ils ont été écrasés ou endommagés d'une façon ou d'une autre (c.-à-d., percés par un clou, frappés d'un coup de marteau, foulés au pied, etc.).
- **Ne démontez rien** : un remontage mal effectué peut présenter un risque important de secousse électrique, d'incendie ou d'exposition aux produits chimiques de la batterie. Si les batteries ou le chargeur sont endommagés, veuillez communiquer avec un revendeur Snow Joe® + Sun Joe® agréé ou appeler le service à la clientèle All Season Power au 1-866-225-9723 pour de l'aide.
- **Les produits chimiques des batteries peuvent occasionner de graves brûlures** : ne laissez jamais un bloc-piles endommagé entrer en contact avec la peau, les yeux ou la bouche. Si un bloc-piles endommagé laisse fuir des produits chimiques, utilisez des gants en caoutchouc ou en néoprène pour l'éliminer sans danger. Si la peau est entrée en contact avec les fluides d'une batterie, lavez la zone affectée à l'eau et au savon et rincez au vinaigre. Si les yeux sont entrés en contact avec des produits chimiques de batterie, rincez immédiatement à grande eau pendant 20 minutes et consultez un médecin. Retirez les vêtements contaminés et jetez-les.
- **Ne provoquez pas de court-circuit** : un court-circuit se produira si un objet en métal relie les contacts positif et négatif du bloc-piles. Ne placez aucun bloc-piles près de tout ce qui peut provoquer un court-circuit, par exemple un trombone, une pièce de monnaie, une clé, une vis, un clou ou tout autre objet métallique. Un bloc-piles en court-circuit présente un risque d'incendie et peut blesser gravement.
- **Rangez les blocs-piles et le chargeur dans un endroit frais et sec** : ne rangez pas les blocs-piles ou le chargeur lorsque la température peut être supérieure à 40,5 °C, par exemple directement sous les rayons du soleil, à l'intérieur d'un véhicule ou dans un cabanon à structure métallique pendant l'été.

Renseignements sur les batteries

1. Les blocs-piles fournis avec votre scarificateur-aérateur sans cordon ne sont que partiellement chargés. Les blocs-piles doivent être complètement chargés avant d'utiliser la machine pour la première fois.
2. Pour un rendement optimal des blocs-piles, évitez d'attendre qu'ils soient presque déchargés et chargez-les fréquemment.
3. Rangez les blocs-piles dans un endroit frais, idéalement à 25 °C et chargez au moins à 40 %.
4. Les batteries au lithium-ion s'usent naturellement avec le temps. Les blocs-piles doivent être remplacés au plus tard lorsque leur capacité d'origine, à l'état neuf, chute de 80 %. Les cellules affaiblies dans un bloc-piles usé ne peuvent plus produire la forte intensité exigée pour que votre

scarificateur-aérateur sans cordon fonctionne normalement, ce qui présente un risque pour la sécurité.

5. Ne jetez pas les blocs-piles dans un feu nu, ce qui pourrait les faire exploser.
6. Ne mettez pas le feu aux blocs-piles et ne les exposez pas à une flamme.
7. Ne déchargez jamais complètement les blocs-piles. La décharge poussée d'une batterie endommagera ses cellules. Le rangement prolongé et la non-utilisation d'une batterie partiellement déchargée sont les causes les plus communes d'une décharge complète. Arrêtez votre travail dès que vous remarquez que la puissance des batteries chute ou dès que le système de protection électronique se déclenche. Rangez les blocs-piles uniquement s'ils sont à charge complète.
8. Protégez les batteries et la machine contre les surcharges. Les surcharges donneront rapidement lieu à une surchauffe et endommageront les cellules à l'intérieur du boîtier des batteries, même si cette surchauffe n'est pas visible de l'extérieur.
9. Évitez d'endommager les batteries et de les soumettre à des chocs. Remplacez immédiatement toute batterie qui est tombée d'une hauteur supérieure à un mètre ou qui a été soumise à des chocs violents, même si le boîtier du bloc-piles ne semble pas endommagé. Les cellules à l'intérieur de la batterie peuvent avoir été gravement endommagées. Dans ce cas, veuillez lire les renseignements sur l'élimination des déchets en ce qui concerne les batteries.
10. Si les blocs-piles souffrent d'une surcharge ou d'une surchauffe, le coupe-circuit de protection intégré coupe le moteur de la machine pour des raisons de sécurité.
IMPORTANT! N'appuyez plus sur le levier marche/arrêt si le coupe-circuit de protection a été activé. Ceci pourrait endommager les blocs-piles.
11. Utilisez uniquement des blocs-piles d'origine. L'utilisation d'autres blocs-piles présente un risque d'incendie et pourrait provoquer des blessures ou une explosion.

Renseignements sur le chargeur et le processus de charge

1. Veuillez vérifier les données marquées sur la plaque signalétique du chargeur de batteries. Assurez-vous de brancher le chargeur de batteries sur une source d'alimentation correspondant à la tension indiquée sur la plaque signalétique. Ne le branchez jamais sur une tension de secteur différente.
2. Protégez le chargeur de batteries et son cordon pour éviter de les endommager. Maintenez le chargeur et son cordon éloignés de la chaleur, de l'huile et des arêtes vives. Faites réparer sans délai les cordons endommagés par un technicien qualifié chez un revendeur Snow Joe® + Sun Joe® agréé ou appelez le service à la clientèle All Season Power au 1-866-225-9723.

3. La fiche électrique doit correspondre à la prise. N'apportez aucune modification, quelle qu'elle soit, à la fiche. N'utilisez pas de fiche d'adaptation avec un chargeur mis à la terre. L'utilisation de fiches non modifiées et des prises correspondantes réduira le risque de secousse électrique.
4. Maintenez hors de portée des enfants le chargeur de batteries, les blocs-piles et la machine sans cordon.
5. N'utilisez pas le chargeur de batteries qui est fourni pour charger d'autres appareils, outils ou machines sans cordon.
6. Les blocs-piles deviennent chauds après une utilisation prolongée. Avant de recharger les blocs-piles, laissez-les se refroidir à la température ambiante.
7. Ne chargez pas les batteries de façon excessive. Ne dépassez pas le temps maximal de charge. Ce temps de charge ne s'applique qu'aux batteries déchargées. Recharger fréquemment un bloc-piles chargé ou partiellement chargé provoquera une surcharge et endommagera les cellules. Ne laissez pas les batteries dans le chargeur pendant plusieurs jours consécutifs.
8. N'utilisez ou ne chargez jamais une batterie si vous soupçonnez qu'il y a plus de 12 mois qu'elle a été chargée pour la dernière fois. Il est extrêmement probable que le bloc-piles soit déjà dangereusement endommagé (décharge poussée).
9. Si vous chargez les batteries à une température inférieure à 5 °C, vous endommagez les produits chimiques des cellules, ce qui peut provoquer un incendie.
10. N'utilisez pas les batteries qui ont été exposées à la chaleur pendant leur charge, car les cellules des batteries peuvent avoir été dangereusement endommagées.
11. N'utilisez pas une batterie qui s'est bombée ou qui a subi des déformations pendant le processus de charge, ni une batterie présentant d'autres symptômes atypiques (échappement de gaz, sifflement, fissures, etc.).
12. Ne déchargez jamais complètement les blocs-piles (le niveau maximal de décharge recommandé est de 80 %). La décharge complète d'un bloc-piles entraînera le vieillissement prématuré de ses cellules.














Protection contre les influences environnementales

1. Portez des vêtements de travail adaptés. Portez des lunettes de sécurité.
2. Protégez votre machine sans cordon et le chargeur de batteries contre l'humidité et la pluie : l'humidité et la pluie peuvent gravement endommager les cellules.
3. N'utilisez pas la machine sans cordon ou le chargeur de batteries près d'émanations ou de liquides inflammables.
4. Utilisez le chargeur de batteries et la machine sans cordon uniquement en milieu sec et à une température ambiante comprise entre 5 °C et 40,5 °C.

5. Ne conservez pas le chargeur de batteries dans un endroit où la température est susceptible d'être supérieure à 40,5 °C. Ne laissez surtout pas le chargeur de batteries dans une voiture qui stationne au soleil.
6. Protégez les batteries contre la surchauffe. Les surcharges et l'exposition directe aux rayons du soleil entraînent une surchauffe des cellules et les endommagent. Ne chargez ou n'utilisez jamais une batterie qui a surchauffé : au besoin, remplacez-la immédiatement.
7. Rangez le chargeur et votre machine sans cordon uniquement dans un endroit sec où la température ambiante est comprise entre 5 °C et 40,5 °C. Rangez vos blocs-piles au lithium-ion dans un endroit frais et sec à une température de 25 °C. Protégez les blocs-piles, le chargeur et la machine sans cordon contre l'humidité et les rayons du soleil directs. Rangez uniquement les batteries lorsqu'elles sont à charge complète (chargées au minimum à 40 %).
8. Veillez à ce que les blocs-piles au lithium-ion ne gèlent pas. Les blocs-piles qui ont été entreposés à des températures inférieures à 0 °C pendant plus de 60 minutes doivent être jetés.
9. Lorsque vous manipulez les batteries, prenez garde aux décharges électrostatiques, car elles peuvent endommager le système de protection électronique et les cellules des batteries. Évitez de produire des charges électrostatiques et ne touchez jamais les pôles d'une batterie.

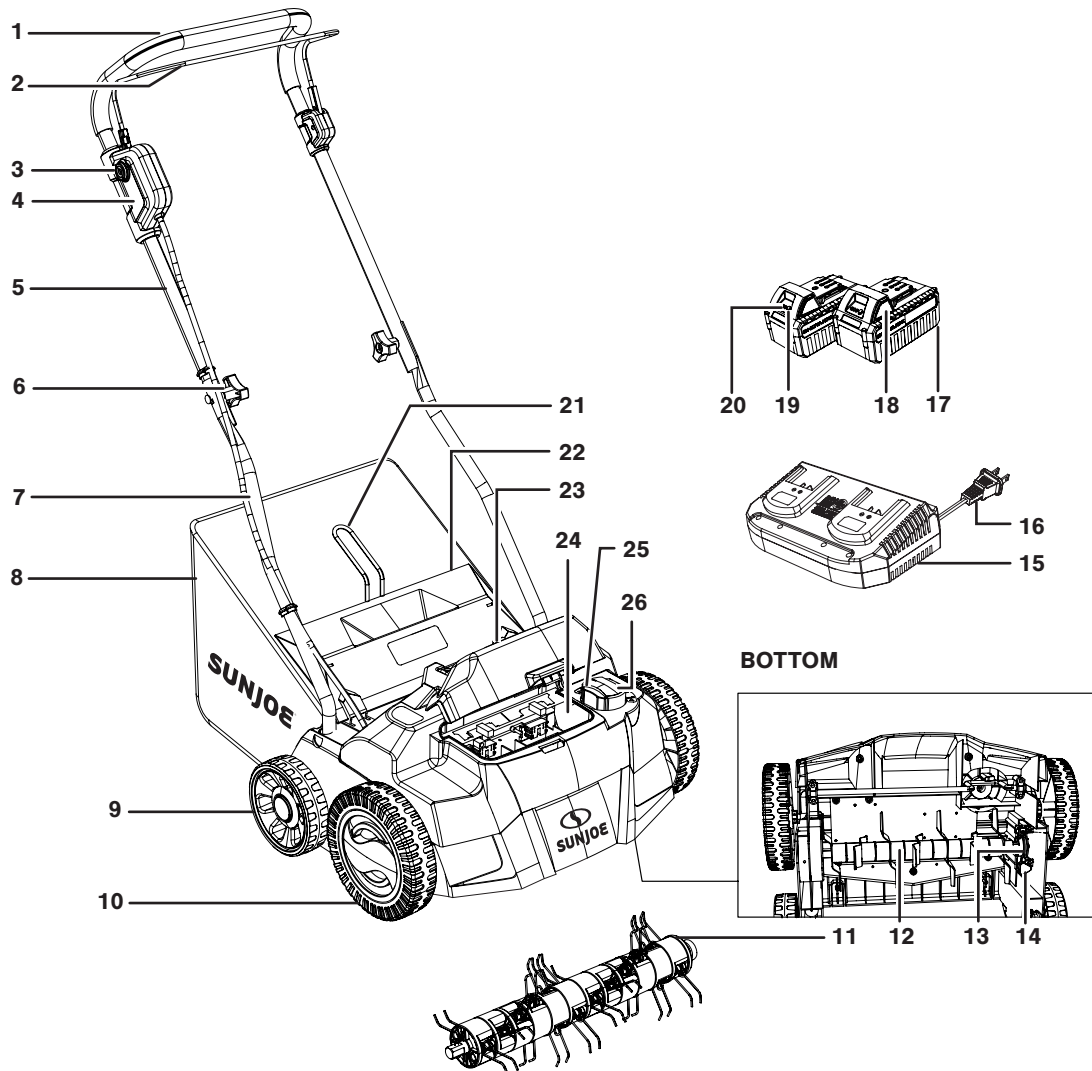
Symboles de sécurité

Le tableau suivant décrit et explique les symboles de sécurité pouvant être marqués sur cette machine. Avant d'essayer de procéder à son assemblage et de l'utiliser, lisez, comprenez et suivez toutes les instructions sur cette machine.

Symboles	Descriptions	Symboles	Descriptions
	LIRE LE OU LES MANUELS D'UTILISATION – Lire, comprendre et suivre toutes les instructions du ou des manuels avant d'essayer d'assembler et d'utiliser la machine.		ALERTE DE SÉCURITÉ – Indique une précaution, un avertissement ou un danger.
	AVERTISSEMENT! Ne pas utiliser la machine sous la pluie où par forte humidité.		PORT OBLIGATOIRE DE PROTECTIONS DES YEUX ET DE L'OUÏE – Pour éviter de se blesser, porter des protecteurs d'oreille et des lunettes de sécurité.
	Porter des gants de protection et des chaussures à semelle antidérapante pour utiliser la machine et manipuler les débris.		DANGER! Lames rotatives : maintenir les mains et les pieds éloignés des pièces mobiles.
	Maintenir les spectateurs à bonne distance de la zone de travail.		La projection d'objets ramassés par le rouleau à dents peut provoquer de graves blessures.
	Inspecter la zone de travail avant utilisation de la machine et retirer tout ce qui peut être rejeté par la machine. Si un objet caché est découvert pendant l'utilisation de la machine, l'arrêter et retirer l'objet.		Faire preuve d'une extrême PRUDENCE en entamant une marche arrière ou en tirant la machine vers soi.
	Ne pas pousser la machine en descendant des marches.		Tenir les mains et les pieds éloignés des pièces tournantes.
	Utilisation uniquement à l'intérieur. Utiliser uniquement le chargeur de batteries à l'intérieur.		

Apprenez à mieux connaître votre scarificateur-aérateur sans cordon

Avant d'utiliser le scarificateur-aérateur, lisez attentivement le manuel de l'utilisateur et les consignes de sécurité. Pour vous familiariser avec l'emplacement des différents réglages, comparez l'illustration ci-dessous avec votre machine. Conservez ce manuel pour le consulter éventuellement dans le futur et relisez-le avant chaque saison de déchaumage.



- | | | | |
|-----------------------------------|---|--|---|
| 1. Poignée rembourrée | 9. Roue arrière (2) | 17. Batterie au lithium-ion 24 V* IONMAX™ (2) (24VBAT) présentant la technologie exclusive EcoSharp® | 22. Volet d'éjection |
| 2. Levier marche/arrêt | 10. Roue avant (2) | 18. Bouton-poussoir de verrouillage | 23. Couvercle de compartiment à batteries |
| 3. Bouton-poussoir de sécurité | 11. Rouleau d'aération par ratissage | 19. Bouton-poussoir pour témoins de charge de batterie | 24. Compartiment à batteries |
| 4. Boîtier d'interrupteurs | 12. Rouleau scarificateur | 20. Témoin de charge de batterie | 25. Verrouillage de bouton |
| 5. Cadre supérieur de guidon | 13. Verrouillage de rouleau | 21. Poignée de sac à chaume | 26. Bouton de réglage de profondeur de scarifiage/ratissage |
| 6. Bouton et boulon de guidon (2) | 14. Vis d'arrêt | | |
| 7. Tube inférieur de guidon (2) | 15. Chargeur au lithium-ion 24 V* IONMAX™ (24VCHRG-DPC) | | |
| 8. Sac à chaume | 16. Fiche de chargeur | | |

Données techniques

Moteur	600 W, sans balais
Tension max. des batteries*	48 VCC (2 x 24 V)
Capacité des batteries	4,0 Ah
Entrée du chargeur	120 VCA, 60 Hz, 160 W
Sortie du chargeur	26 VCC, 2,2 A (2 ports)
Temps max. de charge	1h 50 min
Régime à vide	3 000 tr/min
Taille du plateau	38 cm
Largeur d'aération par ratissage	36 cm
Profondeur de scarifiage†	-9,5 mm - 5 mm
Profondeur de ratissage†	-4,5 mm - 10 mm
Réglage de profondeur	5 positions
Contenance du sac à chaume	40 l
Rouleau d'aération par ratissage	24 dents de ratissage à ressort en acier (2 mm d'épaisseur)
Rouleau scarificateur	7 lames tranchantes
Taille des roues	Avant : 20 cm Arrière : 15 cm
Dimensions	103 cm (l) x 58 cm (H) x 111 cm (P) du produit
Poids net	15 kg

***DÉNI DE RESPONSABILITÉ :** Génère 48 V max. grâce à deux blocs-piles au lithium-ion de 24 V. Tension initiale à vide; grimpe à 24 volts une fois complètement chargée; la tension nominale sous charge typique est de 21,6 volts.

†La valeur négative pour la profondeur de scarifiage/ratissage indique que les dents/lames ratissent au-dessous du niveau du sol (autrement dit, elles pénètrent dans la couche de terre).

Déballage

Contenu de la caisse

- Scarificateur-aérateur
- Bouton et boulon de guidon (2)
- Cadre supérieur de guidon
- Sac à chaume
- Serre-câble (2)
- Rouleau scarificateur (préassemblé)
- Rouleau d'aération par ratissage
- Batterie au lithium-ion 24 V* IONMAX™ (2)
- Chargeur de batteries au lithium-ion 24 V* IONMAX™
- Manuel

1. Retirez soigneusement le scarificateur-aérateur sans cordon de la caisse et inspectez-le pour vérifier que tous les éléments énumérés ci-dessus sont fournis.
2. Inspectez soigneusement le contenu afin de vous assurer qu'aucun élément ne s'est cassé ou n'a été endommagé pendant l'expédition. Si vous constatez que des pièces manquent ou sont endommagées, NE PAS retourner la caisse au magasin. Veuillez appeler le service à la clientèle All Season Power au 1-866-225-9723.

REMARQUE : ne jetez pas la caisse d'expédition et l'emballage tant que vous n'êtes pas prêt à utiliser le scarificateur-aérateur sans cordon. L'emballage est fabriqué dans des matériaux recyclables. Éliminez ces matériaux de façon appropriée et conformément à la réglementation ou conservez l'emballage pour le remisage de longue durée de la machine.

IMPORTANT! La machine et son emballage ne sont pas des jouets. Ne laissez pas les enfants jouer avec les sacs en plastique, les feuilles métalliques ou les petites pièces. Ces éléments peuvent être avalés et risquent de provoquer une suffocation!

Utilisation des blocs-piles

La machine est alimentée par deux batteries au lithium-ion. Les blocs-piles sont entièrement scellés et sans entretien.





⚠ AVERTISSEMENT! Le scarificateur-aérateur peut uniquement être alimenté par les deux batteries ensemble. Une seule batterie ne peut pas fournir suffisamment d'énergie à la machine. S'assurer d'utiliser deux batteries de même tension et de même capacité. L'utilisation de la machine avec des batteries de différentes capacités endommagera les batteries.

⚠ AVERTISSEMENT! Avant leur première utilisation, les batteries nécessitent d'être rechargées pendant 1 h 50 min pour être à charge complète. Lorsque les batteries sont faibles, les recharger pendant 1 h 50 min avant de les utiliser à nouveau.

Témoin de charge de batterie

Les blocs-piles sont dotés d'un bouton-poussoir pour vérifier le niveau de charge. Appuyez simplement sur le bouton-poussoir pour lire le niveau de charge de la batterie à l'aide des témoins de charge :

- Les témoins de charge sont tous les trois allumés : le niveau de charge de batterie est élevé.
- Deux témoins de charge sont allumés : le niveau de charge de batterie diminue. Arrêtez votre travail dès que possible.
- Un témoin de charge est allumé : la batterie est épuisée. Arrêtez IMMÉDIATEMENT votre travail et chargez la batterie. Sinon, la longévité de la batterie s'en trouvera considérablement réduite.

Témoins	Indications
	Bouton de niveau de charge
	La batterie est à 30 % de sa capacité et nécessite d'être chargée
	La batterie est à 60 % de sa capacité et nécessite d'être chargée bientôt
	La batterie est à charge complète

REMARQUE : si le bouton de niveau de charge ne semble pas fonctionner, insérez la batterie dans le chargeur et chargez au besoin.

REMARQUE : immédiatement après avoir utilisé les blocs-piles, le bouton de niveau de charge peut afficher une charge plus faible que si la vérification avait eu lieu quelques minutes plus tard. Les cellules des batteries « récupèrent » une partie de leur charge après une période de repos.

Utilisation du chargeur

⚠️ AVERTISSEMENT! Charger uniquement les blocs-piles au lithium-ion 24 V* IONMAX™ à l'aide de leur chargeur au lithium-ion 24 V* IONMAX™ compatible. Tout autre type de batteries peut causer des dommages corporels et matériels.

Pour réduire le risque de secousse électrique, ne laissez pas d'eau couler dans la fiche du chargeur CA/CC.

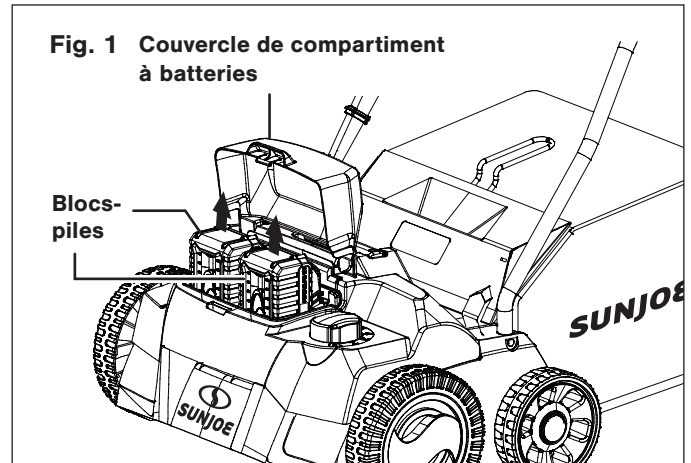
Quand charger les batteries au lithium-ion IONMAX™ 24VBAT

REMARQUE : les blocs-piles au lithium-ion IONMAX™ 24VBAT ne présentent pas « d'effet mémoire » lorsqu'ils sont chargés après une simple décharge partielle. C'est pourquoi il n'est pas nécessaire d'épuiser les blocs-piles avant de les charger à nouveau.

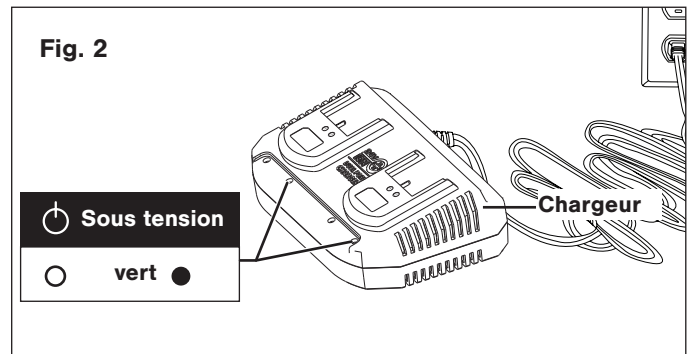
- Utilisez les témoins de charge pour déterminer quand charger vos blocs-piles au lithium-ion IONMAX™ 24VBAT.
- Vous pouvez « compléter » la charge des blocs-piles avant de démarrer un gros travail ou après une longue journée d'utilisation.

Comment charger les batteries

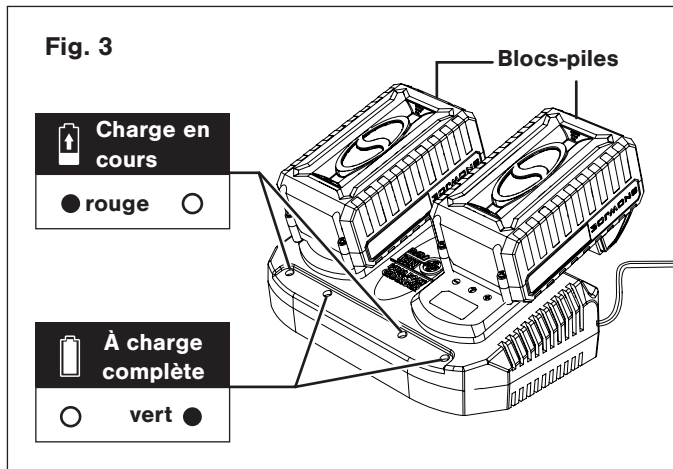
1. Pour retirer les blocs-piles de leur compartiment, ouvrez le couvercle du compartiment à batteries et appuyez sur les boutons-poussoirs de verrouillage de chaque batterie (Fig. 1).



2. Vérifiez que la tension de secteur est la même que celle marquée sur la plaque signalétique du chargeur de batteries. Insérez ensuite la fiche du chargeur dans une prise murale. Lorsque vous branchez le chargeur, deux témoins s'allument en vert sans clignoter (Fig. 2).



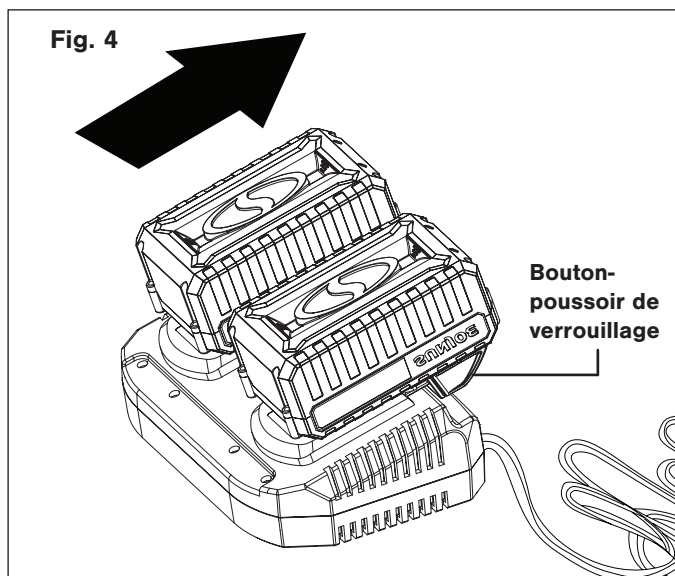
3. Insérez les blocs-piles dans le chargeur en les faisant glisser jusqu'à ce qu'ils se mettent en place en se verrouillant. Lorsque vous insérez les batteries dans le chargeur, les deux témoins verts s'éteignent et les témoins rouges s'allument pour indiquer que la charge des batteries est en cours (Fig. 3).



4. Lorsque les témoins du chargeur passent au vert, les batteries sont à charge complète (Fig. 3).

REMARQUE : un bloc-piles complètement déchargé dont la température interne est dans une zone normale se chargera complètement en 1 h 50 min (entre 0 °C et 45 °C).

5. Si les témoins de charge ne s'allument pas du tout, vérifiez que les blocs-piles reposent bien dans leur compartiment. Retirez les blocs-piles et réinsérez-les. Si le problème persiste, communiquez avec un revendeur Snow Joe® + Sun Joe® agréé ou appelez le service à la clientèle All Season Power au 1-866-225-9723 pour de l'aide.
6. Une fois que les blocs-piles sont à charge complète, retirez-les du chargeur en appuyant sur les boutons-poussoirs de verrouillage de chaque bloc-piles et en les faisant glisser vers l'arrière pour les dégager du chargeur (Fig. 4).



⚠ MISE EN GARDE! RISQUE D'INCENDIE. Avant de retirer les batteries du chargeur, s'assurer de débrancher d'abord le chargeur de la prise, puis retirer les batteries du chargeur.

⚠ AVERTISSEMENT! Ce chargeur ne s'éteint pas automatiquement lorsque les batteries sont à charge complète. Veiller à ne pas laisser les batteries dans le chargeur. Éteindre le chargeur ou le débrancher du secteur une fois que les batteries sont à charge complète.

7. En rechargeant les batteries au moment opportun, vous prolongerez leur durée de vie. Vous devez recharger les blocs-piles lorsque vous remarquez une chute de puissance de la machine.

IMPORTANT! Ne laissez jamais les blocs-piles se décharger complètement, car ceci les endommagerait irrémédiablement.

Charger un bloc-piles chaud ou froid

Les témoins verts sur la base du chargeur indiquent que la température des blocs-piles est en dehors de la zone normale pour se charger. Une fois que la température des batteries retourne dans la zone normale, elles se chargent normalement et le témoin passe au rouge sans clignoter. Les blocs-piles chauds ou froids prennent davantage de temps pour se charger.

Statut de charge lithium-ion			
Température de bloc-piles	Témoins sur base de chargeur	Témoins de charge de bloc-piles	Statut de charge en cours
Trop chaude	Vert	Clignotant ensemble	Aucune charge en cours
Zone normale	Rouge	Clignotant l'un après l'autre	Charge en cours normale
Trop froide	Vert	Clignotant ensemble	Aucune charge en cours

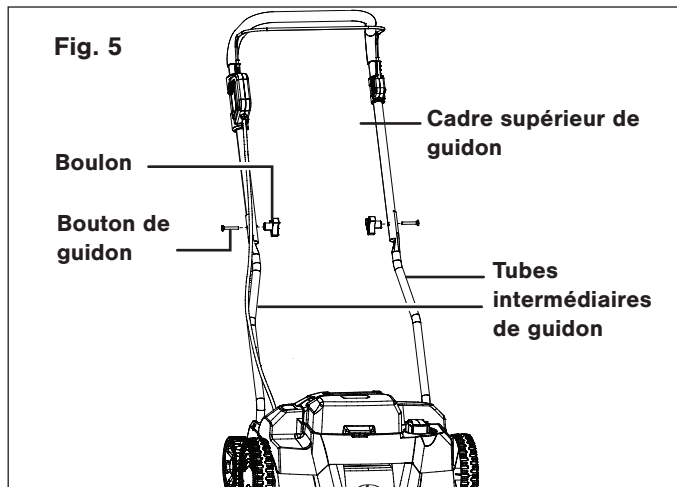
Assemblage

⚠ AVERTISSEMENT! Ne pas insérer les batteries tant que l'assemblage n'est pas terminé. Ne pas tenir compte de cet avertissement peut entraîner un démarrage accidentel et de graves dommages corporels.

Portez toujours des gants pendant l'assemblage.

Assemblage du guidon

1. Placez le cadre supérieur de guidon sur les tubes inférieurs de guidon et attachez-les à l'aide des deux jeux de boutons et boulons de guidon (Fig. 5).



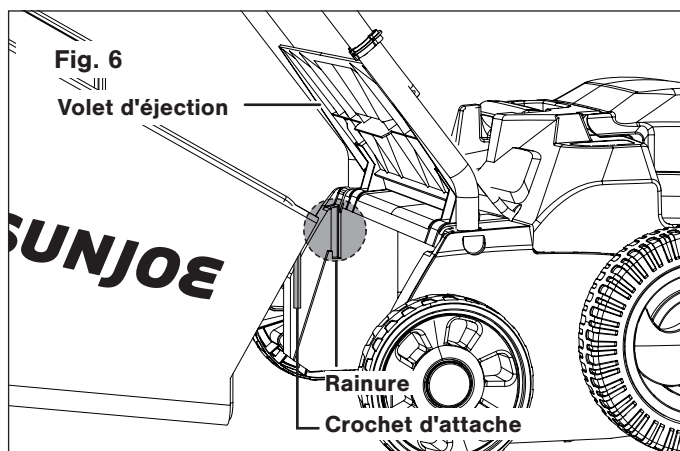
2. Attachez les serre-câbles sur le guidon et insérez le câble dans les serre-câbles.

Assemblage du sac à chaume

⚠ AVERTISSEMENT! Ne pas essayer d'utiliser la machine sans avoir attaché au préalable le sac à chaume. Des débris volants pourraient présenter un danger.

⚠ AVERTISSEMENT! Avant d'attacher ou de vider le sac à chaume, le moteur de la machine doit être coupé et le dispositif de coupe doit s'être arrêté de tourner.

1. Levez le volet d'éjection et montez les crochets des deux côtés du sac à chaume sur les rainures des deux côtés à l'intérieur du caisson (Fig. 6).



Retrait et vidage du sac à chaume

Videz fréquemment le sac à chaume pendant l'utilisation de la machine. N'attendez pas qu'il soit complètement rempli. Nous recommandons de le vider quand il est à moitié plein.

REMARQUE : le sac à chaume, quand il est plein, réduit le rendement de cette machine.

1. Levez le volet d'éjection du sac à chaume et tirez le sac pour le décrocher des crochets d'attache.
2. Videz le contenu du sac dans une poubelle adaptée. Remplacez le sac dans sa position initiale avant de recommencer à utiliser la machine.

Utilisation prévue

1. Ce scarificateur-aérateur est conçu pour un moteur de 600 W. En fonction de l'accessoire de coupe qui est posé dessus, cette machine est destinée à scarifier et à éliminer le chaume des pelouses ou à aérer par ratissage un jardin chez soi, et en tant que loisir.
2. Quand la machine est utilisée en tant que scarificateur, elle travaille en grattant à travers et entre l'herbe à l'aide de petites fourches spécialement adaptées qui ramassent et éliminent les matériaux indésirables de la pelouse tout en laissant les brins d'herbe intacts. En même temps, la machine scarifie le sol pour qu'il soit mieux aéré.
3. Quand la machine est utilisée en tant que déchaumeuse, de fines épingles grattent la surface du gazon tout en ramassant les débris légers pour que la pelouse absorbe mieux l'oxygène et soit bien aérée et drainée.
4. Cette machine ne doit pas être utilisée par temps de pluie et pour tondre de l'herbe sèche, humide ou exceptionnellement haute, par exemple de l'herbe de pâturage, ou pour déchiqueter des feuilles.
5. Cette machine est uniquement destinée à un usage domestique et privé, et non à un usage commercial ou marchand. Elle ne doit pas être utilisée à des fins autres que celles décrites ici.

Utilisation

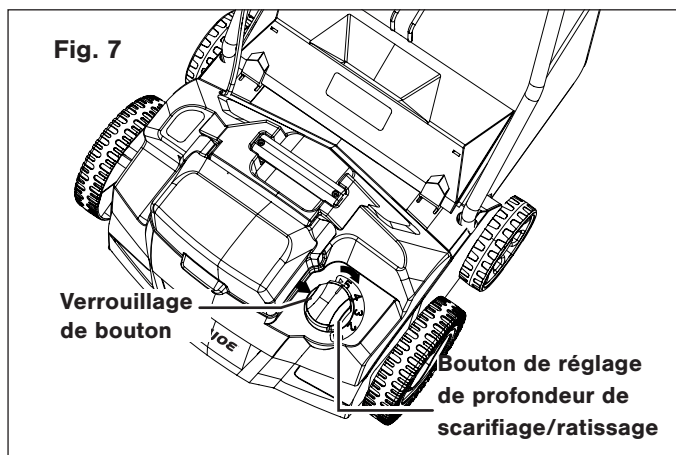
Réglage de profondeur de scarifiage/ratissage

⚠ AVERTISSEMENT! Avant de procéder au réglage des dents, couper le moteur et retirer les batteries.

Réglez la profondeur en fonction des besoins de votre pelouse. La profondeur la mieux adaptée dépend du type de pelouse et de la hauteur réelle de l'herbe.

La profondeur de scarifiage/ratissage est contrôlée par un seul système. Pour régler la profondeur de scarifiage ou de ratissage, suivez les instructions ci-dessous.

1. Pour régler la profondeur de scarifiage/ratissage, poussez à l'intérieur le verrouillage de bouton et tournez en même temps le bouton de réglage de profondeur de scarifiage/ratissage. Tournez le bouton jusqu'à ce que l'indicateur sur le bouton soit aligné avec l'un des chiffres entourant le bouton (1/2/3/4/5) (Fig. 7).



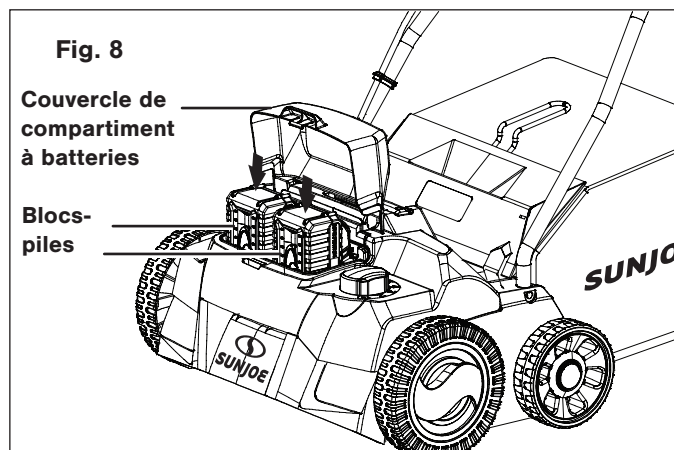
2. Ce scarificateur-aérateur présente cinq profondeurs de scarifiage/ratissage. Chaque réglage indique différentes profondeurs, en fonction du rouleau qui est installé. Pour le détail de chaque réglage, consultez le tableau ci-dessous.

Position	Profondeur de scarifiage	Profondeur de ratissage
1	5 mm	10 mm
2	-0,5 mm	4,5 mm
3	-6 mm	-1 mm
4	-8,5 mm	-3,5 mm
5	-9,5 mm	-4,5 mm

Démarrage et arrêt

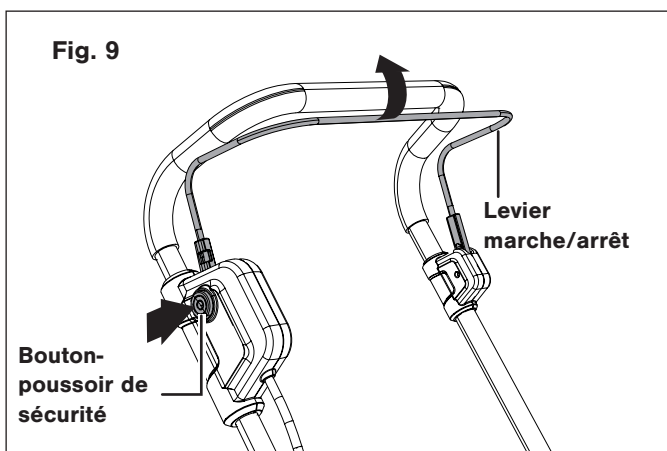
⚠ AVERTISSEMENT! Avant de mettre en marche le scarificateur-aérateur de pelouse, vérifier qu'il n'est en contact avec aucun corps étranger. Maintenir les pieds et les mains à une distance de sécurité des dents en rotation et de l'ouverture d'éjection. Toute personne ne tenant pas compte de ces avertissements peut se blesser gravement.

1. Rabattez vers le haut le couvercle du compartiment à batteries, insérez les deux batteries jusqu'à ce qu'elles se mettent en place en s'encliquettant (Fig. 8). Fermez le couvercle du compartiment à batteries.



2. Pour démarrer, appuyez sur le bouton-poussoir de sécurité en le maintenant enfoncé et en tirant en même temps le levier marche/arrêt vers vous. Une fois que la machine a démarré, relâchez le bouton-poussoir de sécurité et commencez à déchaumer (Fig. 9).

3. Pour arrêter le scarificateur-aérateur de pelouse, relâchez le levier marche/arrêt.



⚠ AVERTISSEMENT! Le rouleau à dents continue à tourner pendant un bref instant une fois que le moteur de la machine a été coupé. Ne pas incliner ou transporter la machine quand le moteur tourne encore et ne pas toucher le rouleau pendant qu'il est encore en rotation. Toute personne ne tenant pas compte de cet avertissement s'expose à de graves blessures.

Protection contre les surcharges

La protection contre les surcharges s'activera dans les circonstances suivantes :

1. Si des matériaux scarifiés se sont accumulés autour du dispositif de coupe.
2. Si les matériaux scarifiés sont plus gros que la capacité du moteur.

3. Si la résistance exercée contre le dispositif de coupe est trop forte.

Lorsque le coupe-circuit a été activé, relâchez le levier marche/arrêt et retirez les batteries.

Laissez la machine se refroidir pendant cinq minutes et éliminez la cause de la coupure de circuit avant d'utiliser à nouveau la machine.

Généralités concernant l'utilisation

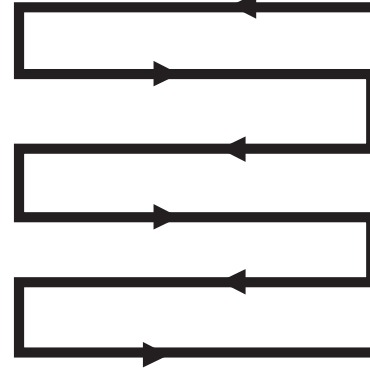
⚠️ AVERTISSEMENT! Si la machine heurte un corps étranger, couper le moteur, retirer les batteries et laisser la machine se refroidir. Inspecter soigneusement la machine pour vérifier si elle n'est pas endommagée. Faire réparer le moindre dommage avant d'utiliser de nouveau la machine.

⚠️ AVERTISSEMENT! Une machine qui vibre trop pendant son utilisation est signe qu'elle est endommagée. La machine doit être inspectée et réparée dans les meilleurs délais.

- Avant chaque utilisation, inspectez la machine et les accessoires pour vérifier qu'ils ne sont pas endommagés. N'utilisez pas la machine si elle est endommagée ou présente des signes d'usure.
- Vérifiez que les accessoires sont correctement attachés.
- Poussez la machine en avant en tenant le guidon. Pour assurer une bonne prise en main, veillez à ce que le guidon reste sec.
- Assurez-vous que les ouvertures d'aération ne sont jamais bouchées. Au besoin, nettoyez-les à l'aide d'une brosse souple. Les ouvertures d'aération bouchées peuvent faire surchauffer la machine et l'endommager.
- Arrêtez immédiatement la machine si vous êtes dérangé en plein travail par des personnes pénétrant dans la zone de travail. Patientez jusqu'à ce que la machine soit complètement arrêtée.
- Ne vous forcez pas vous-même. Prenez des pauses régulières pour être certain de pouvoir vous concentrer sur le travail en cours et d'avoir le contrôle total de la machine.
- Tondez la pelouse d'abord et fertilisez-la ensuite.
- Assurez-vous que la pelouse est exempte de cailloux, de bouts de bois, de fils métalliques et de tout ce qui jonche le sol et qui pourrait endommager la machine ou son moteur.
- Sélectionnez la profondeur de scarifiage et de ratissage adaptée à la hauteur réelle de l'herbe.
- N'utilisez pas cette machine sur une pelouse mouillée, car l'herbe aurait tendance à se coller sur le dessous de caisse de la machine, empêchant ainsi l'éjection normale des matériaux ramassés; ceci pourrait vous faire glisser ou tomber.
- Poussez lentement la machine vers l'avant. Déplacez la machine à une vitesse appropriée. Ne la déplacez pas trop vite pour empêcher que la goulotte se bouche et que le moteur se surcharge inutilement.
- Travaillez en faisant chevaucher légèrement les rangées. La méthode la plus efficace pour scarifier/aérer les pelouses

consiste à avancer en ligne droite en commençant par un côté. Ceci permettra d'avoir des rangées uniformes et d'être certain que le sol est scarifié/aéré sans qu'un seul endroit ait été oublié (Fig. 10).

Fig. 10



- Faites des cercles autour des massifs de fleurs. Quand vous atteignez un massif de fleurs au milieu de la pelouse, travaillez sur une rangée ou deux en faisant le tour du massif.
- Faites particulièrement attention lorsque vous changez de direction.

Scarifiage

Quand vous scarifiez, tenez compte de la météo. Au printemps, entre avril et mai, scarifiez la pelouse en augmentant la profondeur, car la pelouse peut mieux se régénérer à cette période. Quand l'été est humide, scarifiez à nouveau à la fin de l'été en diminuant la profondeur. Ne scarifiez pas pendant les périodes de grande chaleur.

Aération par ratissage

Pour qu'une pelouse saine se développe au printemps, il est nécessaire que de grandes quantités d'air pénètrent dans la zone autour des racines de l'herbe. Nous recommandons d'aérer la pelouse toutes les 4 à 6 semaines, en fonction de l'état de la pelouse.

Entretien

⚠️ AVERTISSEMENT! Avant d'entreprendre une réparation quelconque ou d'intervenir sur la machine, s'assurer que les batteries ont été retirées du compartiment. Les travaux d'entretien et de réparation autres que ceux décrits dans ce manuel d'instructions doivent être effectués uniquement par un spécialiste qualifié!

Entretien et remisage


Pour que votre machine reste fiable et puisse être utilisée pendant de longues années, effectuez régulièrement les opérations d'entretien suivantes. Les travaux d'entretien et de nettoyage de la machine ainsi que la dépose des dispositifs de protection peuvent uniquement être effectués une fois que le moteur a été coupé et que les batteries ont été retirées du compartiment.


- Maintenez serrés tous les écrous, boulons et vis afin de vous assurer que la machine est en bon état de marche et peut être utilisée sans danger.
- Avant de la remiser à l'intérieur, laissez la machine se refroidir.
- Inspectez fréquemment le sac à chaume pour vérifier qu'il n'est ni usé ni détérioré.
- Examinez régulièrement la machine et, par mesure de sécurité, remplacez les pièces usées ou endommagées.
- Vérifiez que les couvercles et les dispositifs de protection ne sont pas endommagés et sont bien attachés. Effectuez l'entretien ou les réparations nécessaires avant d'utiliser la machine.
- Si le dispositif de coupe venait à tomber en panne malgré les soins apportés au cours de la fabrication et les tests, sa réparation devrait être effectuée par un centre de réparations.
- Ne nettoyez pas la machine quand le moteur tourne.
- Pour pouvoir travailler en toute sécurité avec la machine, assurez-vous que tous les éléments d'attache (vis, écrous, etc.) sont serrés en permanence.
- Inspectez fréquemment la machine pour vérifier qu'elle ne présente pas de signes d'usure. Remplacez les pièces usées et endommagées.
- Remisez votre machine dans un endroit sec. Pour que votre machine puisse être utilisée pendant de longues années, les vis et les boulons doivent tous être nettoyés et huilés ensuite.
- Nettoyez la machine à l'aide d'une brosse ou d'un chiffon. N'utilisez ni solvants ni eau pour retirer la saleté.
- Le rouleau scarificateur et le rouleau d'aération par ratissage sont les composants les plus susceptibles de s'user. C'est pourquoi vous devez vérifier à intervalles réguliers l'état du dispositif de coupe et de sa fixation.
 - Si les rouleaux sont usés ou émoussés, ils doivent être immédiatement remplacés.
 - Si la machine commence à vibrer de façon excessive, c'est que le dispositif de coupe n'est pas bien équilibré ou qu'il a subi des déformations dues à des chocs. Dans ce cas, il doit être réparé ou remplacé.


Rangement hors-saison des batteries et du chargeur


1. N'exposez pas les blocs-piles ou le chargeur à l'eau, à la pluie ou à tout ce qui pourrait les rendre humides. Le chargeur et les blocs-piles pourraient être endommagés de façon permanente. N'utilisez ni huile ni solvants pour nettoyer ou lubrifier vos blocs-piles, et ce dans la mesure où le boîtier en plastique pourrait devenir cassant, se fissurer et risquer de blesser quelqu'un.
2. Rangez les blocs-piles et le chargeur à température ambiante et dans un endroit non humide. Ne le rangez pas dans un endroit humide où les bornes pourraient se corroder. Comme pour les autres types de blocs-piles, une perte de capacité permanente peut se produire si les blocs-piles sont rangés pendant de longues périodes à une température élevée (supérieure à 49 °C).
3. Les blocs-piles au lithium-ion 24 V* IONMAX™ restent chargés plus longtemps que les autres types de blocs-piles lorsqu'ils sont rangés. En règle générale, il est préférable de débrancher le chargeur de batteries et de retirer les blocs-piles lorsque vous ne les utilisez pas. Hors-saison, avant de les ranger et pour maintenir leur rendement optimal, rechargez les blocs-piles tous les six mois jusqu'à 50 % de leur capacité (deux témoins allumés).

Remplacement/changement du dispositif de coupe

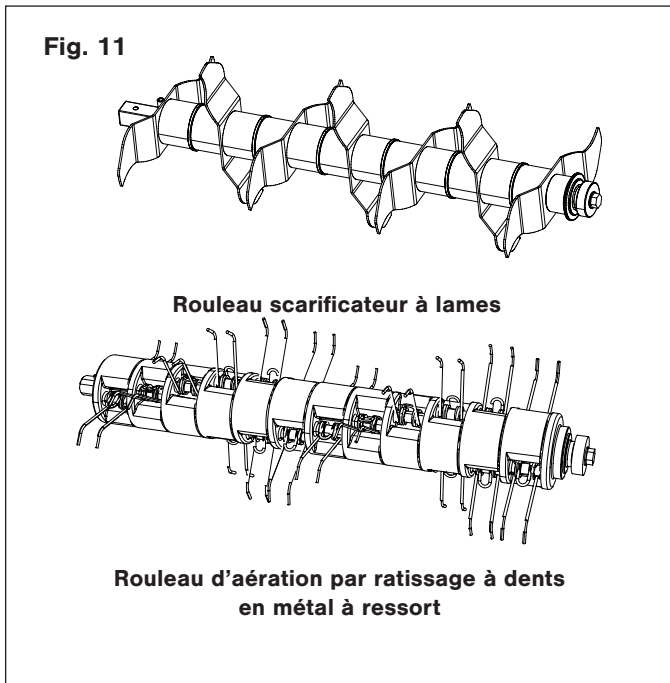
 **AVERTISSEMENT!** Avant de changer ou de remplacer le dispositif de coupe, toujours couper le moteur, retirer les batteries et laisser la machine se refroidir.

 **AVERTISSEMENT!** Le dispositif de coupe est très acéré et devient chaud pendant son utilisation. Le manipuler avec précaution.

 **AVERTISSEMENT!** Pour éviter les blessures, par exemple les brûlures et les coupures, porter des gants de sécurité pour manipuler le dispositif de coupe.

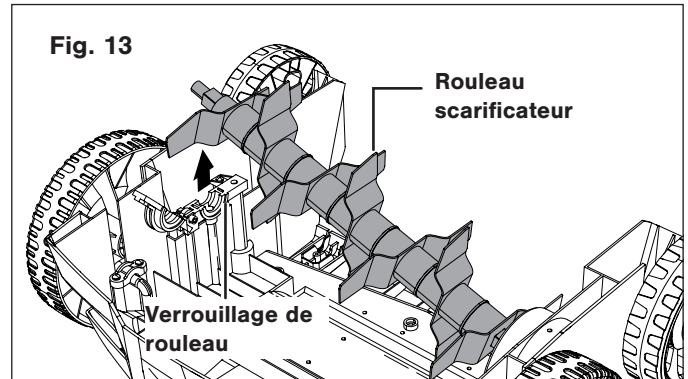
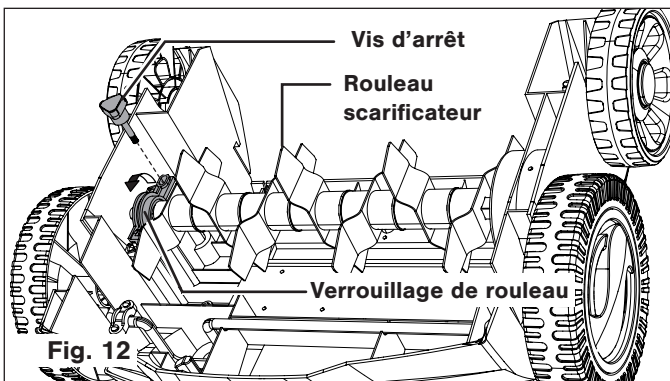
 **AVERTISSEMENT!** Avant d'utiliser la machine, s'assurer que tous les boulons sont serrés. Ne pas utiliser la machine si des boulons manquent, sont desserrés ou endommagés.

La machine a deux fonctions, le scarifiage et l'aération par ratissage. Le rouleau scarificateur est préassemblé sur la machine. Le rouleau d'aération par ratissage est inclus dans la caisse d'expédition. Le rouleau peut être changé en fonction du travail que l'on souhaite faire (Fig. 11).

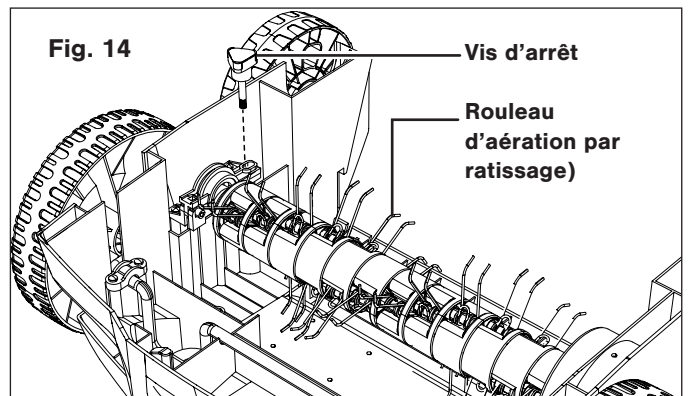


⚠ AVERTISSEMENT! Avant de procéder à une tâche d'entretien quelconque, toujours retirer les batteries et attendre que le rouleau à dents s'arrête complètement. Porter des gants de protection pour la manipulation des dents.

1. Retirez le sac à chaume.
2. Pour accéder au dessous de caisse, retournez la machine sur une surface plate et stable.
3. Retirez la vis d'arrêt et ouvrez le verrouillage utilisé pour attacher le rouleau scarificateur. Levez le rouleau scarificateur pour le retirer du carter (Fig. 12 - 13).



4. Insérez le rouleau d'aération par ratissage et appuyez dessus pour qu'il rentre dans le porte-rouleau. Fermez le verrouillage et attachez l'ensemble à l'aide de la vis d'arrêt (Fig. 14).



5. Retournez le scarificateur-aérateur de pelouse pour le remettre sur ses roues. Rattachez le sac à chaume et reprenez votre travail.

REMARQUE : si vous avez la moindre question, veuillez appeler le service à la clientèle All Season Power au 1-866-225-9723 pour de l'aide.

Après utilisation

1. Coupez le moteur, retirez les batteries et laissez la machine se refroidir.
2. Inspectez, nettoyez et remisez la machine comme indiqué ci-dessus.

Sac à chaume

1. Avant chaque utilisation, inspectez le sac à chaume. Ne l'utilisez pas si vous constatez qu'il est endommagé.
2. Après utilisation, nettoyez le sac à chaume. Pour éviter le développement de moisissures, laissez sécher complètement le sac à chaume avant de le ranger.

Transport

1. Avant de transporter la machine quelque part, coupez le moteur et retirez les batteries.
2. Pour le transport, réglez la profondeur de scarifiage/ ratisage (consultez la page 57 « RÉGLAGE DE PROFONDEUR DE SCARIFIAGE/RATISSAGE »).
3. Transportez toujours la machine par son guidon.
4. Protégez la machine contre tout choc brutal ou les fortes vibrations pouvant se produire pendant son transport dans un véhicule.
5. Attachez la machine pour l'empêcher de glisser ou de tomber par-dessus bord.

Mise en garde concernant les batteries et informations sur leur élimination

Éliminez toujours vos blocs-piles en vous conformant aux réglementations fédérales, provinciales ou territoriales et locales. Pour obtenir la liste des sites de recyclage, communiquez avec un organisme de recyclage de votre région.

⚠ MISE EN GARDE! Même déchargés, les blocs-piles emmagasinent une certaine énergie. Avant de les éliminer, utiliser du ruban isolant pour couvrir les bornes et empêcher ainsi les blocs-piles de provoquer un court-circuit, ce qui pourrait déclencher un incendie ou une explosion.

⚠ AVERTISSEMENT! Pour réduire le risque de blessure ou d'explosion, ne jamais brûler ou incinérer un bloc-piles, même s'il est endommagé, à plat ou complètement déchargé. En brûlant, des émanations et des matières toxiques sont émises dans l'atmosphère environnante.

1. Les batteries varient selon le type de machines, d'appareils ou d'outils. Consultez le manuel pour des renseignements spécifiques.
2. S'il en faut plusieurs, insérez uniquement des batteries neuves de même type dans votre outil, appareil ou machine.
3. Si, en les insérant, la polarité des blocs-piles n'est pas respectée, comme indiqué dans le compartiment à batteries ou dans le manuel, leur durée de vie pourrait être réduite ou ils pourraient fuir.
4. Ne mélangez pas des batteries anciennes et des neuves.
5. Ne mélangez pas des batteries alcalines, standard (carbone/zinc) ou rechargeables (au nickel-cadmium, au nickel-métal-hydrure ou au lithium-ion).
6. Ne jetez pas les blocs-piles au feu.
7. Les blocs-piles doivent être recyclés ou éliminés en observant les directives provinciales, territoriales ou locales.

Entretien, réparations et assistance technique

Si votre scarificateur-aérateur sans cordon 24V-X2-DTS15 nécessite une intervention technique ou un entretien, veuillez appeler le 1-866-225-9723 pour de l'aide.

Numéros de modèle et de série

Lorsque vous communiquez avec l'entreprise pour commander des pièces ou prendre rendez-vous pour une intervention technique chez un revendeur agréé, vous devez fournir les numéros de modèle et de série qui se trouvent sur l'étiquette autocollante apposée sur le caisson de la machine. Copiez ces numéros dans l'espace réservé ci-dessous.

Veuillez noter les numéros suivants sur le caisson ou le guidon de votre nouvelle machine :																			
N° de modèle :																			
2	4	V	-	X	2	-	D	T	S	1	5								
N° de série :																			

24VCHRG-DPC

FCC (Commission fédérale des communications)

⚠️ AVERTISSEMENT! Toute modification ou tout changement apporté à cet appareil et non approuvé par la partie à qui incombe la responsabilité de sa conformité pourrait annuler l'autorisation de l'utiliser.

Appareil de Classe B :

REMARQUE : ce matériel a été testé et il a été constaté qu'il est conforme aux limites des appareils numériques de Classe B, conformément à la Partie 15 des Règles de la FCC.

Ces limites sont conçues pour fournir une protection raisonnable contre le brouillage préjudiciable dans une installation résidentielle.

Ce matériel génère, utilise et peut rayonner une énergie de fréquence radio et, s'il n'est pas installé et utilisé conformément aux instructions, peut être à l'origine d'un brouillage préjudiciable aux communications radio.

Toutefois, il n'est pas exclu que le brouillage affecte une installation particulière.

Si cet appareil est à l'origine de brouillage préjudiciable à la réception radio et télévision, ce qui peut être déterminé en éteignant et en allumant l'appareil, l'utilisateur est invité à supprimer le brouillage en prenant une ou plusieurs des mesures suivantes :

- Réorienter ou repositionner l'antenne de réception.
- Augmenter la distance entre l'appareil et le récepteur.
- Brancher l'appareil dans la sortie d'un circuit différent de celui dans lequel le récepteur est branché.
- Pour de l'aide, consulter le revendeur ou un technicien radio/télévision qualifié.

Dépannage

⚠️ AVERTISSEMENT! Procéder uniquement aux étapes décrites dans ces instructions!

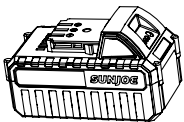
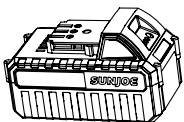

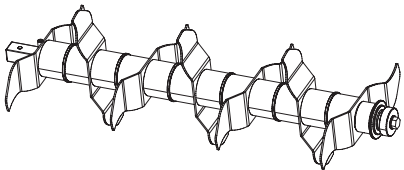
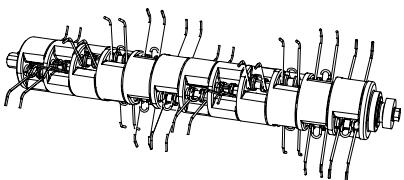
Si vous ne pouvez pas résoudre le problème vous-même, toute inspection, réparation ou tout entretien supplémentaire doit être effectué par un centre d'entretien et de réparation agréé ou par un spécialiste de même niveau de qualification!

Les dysfonctionnements, perturbations ou dommages soupçonnés sont souvent à l'origine de problèmes que l'utilisateur peut régler lui-même. Pour inspecter la machine, suivez les directives de dépannage ci-dessous. Dans la plupart des cas, le problème peut être résolu rapidement et le scarificateur-aérateur peut être remis en bon ordre de marche.

Problèmes	Causes possibles	Solutions
Le moteur ne démarre pas	<ul style="list-style-type: none">a) Les batteries ne sont pas insérées de façon appropriéeb) Les batteries sont à platc) Autre panne électrique de la machined) Bouton de déverrouillage non enfoncé	<ul style="list-style-type: none">a) Réinsérez les batteriesb) Chargez les batteries.c) Communiquez avec un réparateur agrééd) Appuyez d'abord sur le bouton-poussoir de sécurité, puis pressez le levier marche/arrêt
La machine ne peut pas atteindre sa pleine puissance	<ul style="list-style-type: none">a) Les batteries sont presque à platb) Les ouvertures d'aération sont bouchées	<ul style="list-style-type: none">a) Rechargez les batteries.b) Nettoyez les ouvertures d'aération
Résultats insatisfaisants	<ul style="list-style-type: none">a) Dispositif de coupe uséb) Les matériaux scarifiés dépassent la capacitéc) La profondeur de scarifiage est inappropriée	<ul style="list-style-type: none">a) Remplacez le rouleau à dents (voir pages 60-61)b) Scarifiez uniquement des matériaux correspondant à la capacité de la machinec) Réglez la profondeur

Accessoires en option

⚠️ AVERTISSEMENT! TOUJOURS utiliser des pièces de rechange et des accessoires Snow Joe® + Sun Joe® homologués. NE JAMAIS utiliser des pièces ou des accessoires qui ne sont pas destinés à être utilisés avec ce scarificateur-aérateur sans cordon. Communiquez avec le service à la clientèle All Season Power si vous n'êtes pas sûr que l'utilisation d'une pièce de rechange ou d'un accessoire particulier avec votre scarificateur-aérateur sans cordon soit sans danger. L'utilisation de tout autre accessoire ou de toute autre pièce détachée peut être dangereuse et pourrait provoquer des dommages corporels ou des détériorations d'origine mécanique.

Accessoires	Description	Modèle
<p>①</p> 	<p>Batterie au lithium-ion 4,0 Ah 24 V* IONMAX™</p>	<p>24VBAT</p>
<p>②</p> 	<p>Batterie au lithium-ion 5,0 Ah 24 V* IONMAX™</p>	<p>24VBAT-XR</p>
<p>③</p> 	<p>Chargeur de batteries au lithium-ion 24 V* IONMAX™</p>	<p>24VCHRG-QC</p>
<p>④</p> 	<p>Rouleau scarificateur de rechange</p>	<p>24V-X2-DTS15-SCRF</p>
<p>⑤</p> 	<p>Rouleau d'aération par ratissage de rechange</p>	<p>24V-X2-DTS15-RAK</p>

REMARQUE : les accessoires sont sous réserve de changements sans que All Season Power soit pour autant tenue de donner un préavis desdits changements. Les accessoires peuvent être commandés en ligne sur le site shopjoe.com ou par téléphone en appelant le service à la clientèle All Season Power au 1-866-225-9723.



LA PROMESSE DE ALL SEASON POWER À SES CLIENTS

Vous êtes notre client et All Season Power (« All Season Power ») **SE MET EN QUATRE** pour vous servir. Nous nous efforçons de vous rendre l'utilisation de nos produits aussi plaisante que possible. Malheureusement, il peut arriver qu'un produit Snow Joe®, Sun Joe®, Aqua Joe® ou Auto Joe® (« Produit ») ne fonctionne pas ou se casse dans des conditions d'utilisation normales. Nous pensons qu'il est important que vous sachiez ce que vous pouvez attendre de nous. C'est pourquoi nous avons une garantie limitée (« Garantie ») pour nos Produits.

NOTRE GARANTIE :

All Season Power déclare et garantit que les Produits neufs, d'origine, électriques ou non électriques sont exempts de vices de matière ou de fabrication et, lorsqu'ils font l'objet d'une utilisation résidentielle et ménagère ordinaire, les garantit pendant une période de deux ans à compter de la date de livraison à l'acheteur primitif auprès de All Season Power ou d'un des revendeurs agréés de All Season Power, preuve d'achat à l'appui. Étant donné que All Season Power ne peut pas contrôler la qualité de ses Produits vendus par des revendeurs non agréés, sauf stipulation contraire de la loi, la présente Garantie ne couvre pas les Produits achetés auprès de vendeurs non agréés. Si votre Produit ne fonctionne pas ou si une pièce spécifique couverte par les modalités de la présente Garantie fait l'objet d'un problème quelconque, All Season Power choisira (1) de vous envoyer une pièce de rechange gratuite, (2) de remplacer le Produit par un produit neuf ou comparable, gratuitement, ou (3) de réparer le Produit. Génial, n'est-ce pas?

La présente Garantie vous donne des droits judiciaires spécifiques, et vous pouvez également avoir d'autres droits qui peuvent varier d'une province ou d'un territoire à l'autre.

ENREGISTREMENT DU PRODUIT :

All Season Power vous recommande vivement d'enregistrer votre Produit. Vous pouvez l'enregistrer en ligne sur le site shopjoe.com/register, ou en imprimant et en envoyant par courrier une carte d'enregistrement offerte en ligne sur notre site Web, ou par téléphone en appelant notre Service à la clientèle au **1-866-225-9723**, ou encore en nous envoyant un courriel à l'adresse help@shopjoe.com. Le fait de ne pas enregistrer l'achat de votre Produit n'a aucune conséquence sur vos droits concernant la garantie. Toutefois, l'enregistrement de votre Produit permettra à All Season Power de mieux répondre au moindre besoin que vous pourriez avoir en matière de service à la clientèle.

QUI PEUT REVENDIQUER LA COUVERTURE DE LA GARANTIE?

La présente Garantie est étendue par All Season Power à l'acheteur et propriétaire primitif du Produit.

QU'EST-CE QUI N'EST PAS COUVERT?

La présente Garantie ne s'applique pas si le Produit a été utilisé commercialement, pour des travaux non résidentiels ou s'il fait l'objet d'une location. La présente Garantie ne s'applique pas non plus si le Produit a été acheté auprès d'un revendeur non agréé. La présente garantie ne couvre pas non plus les changements cosmétiques qui n'affectent pas le rendement. Les pièces d'usure comme les courroies, les tarières, les chaînes et les dents ne sont pas couvertes au titre de la présente Garantie et peuvent être achetées en ligne sur le site shopjoe.com/support ou en appelant le **1-866-225-9723**.



Gardez votre garantie intacte. Utilisez uniquement des pièces de rechange et des accessoires **AUTHENTIQUES CERTIFIÉS** Snow Joe®, Sun Joe®, Aqua Joe® et Auto Joe®. L'utilisation d'autres pièces et accessoires annulera la garantie. Les pièces et accessoires authentiques peuvent être trouvés et achetés en ligne sur shopjoe.com/support en entrant le numéro de modèle de votre produit.



shopjoe.com

®