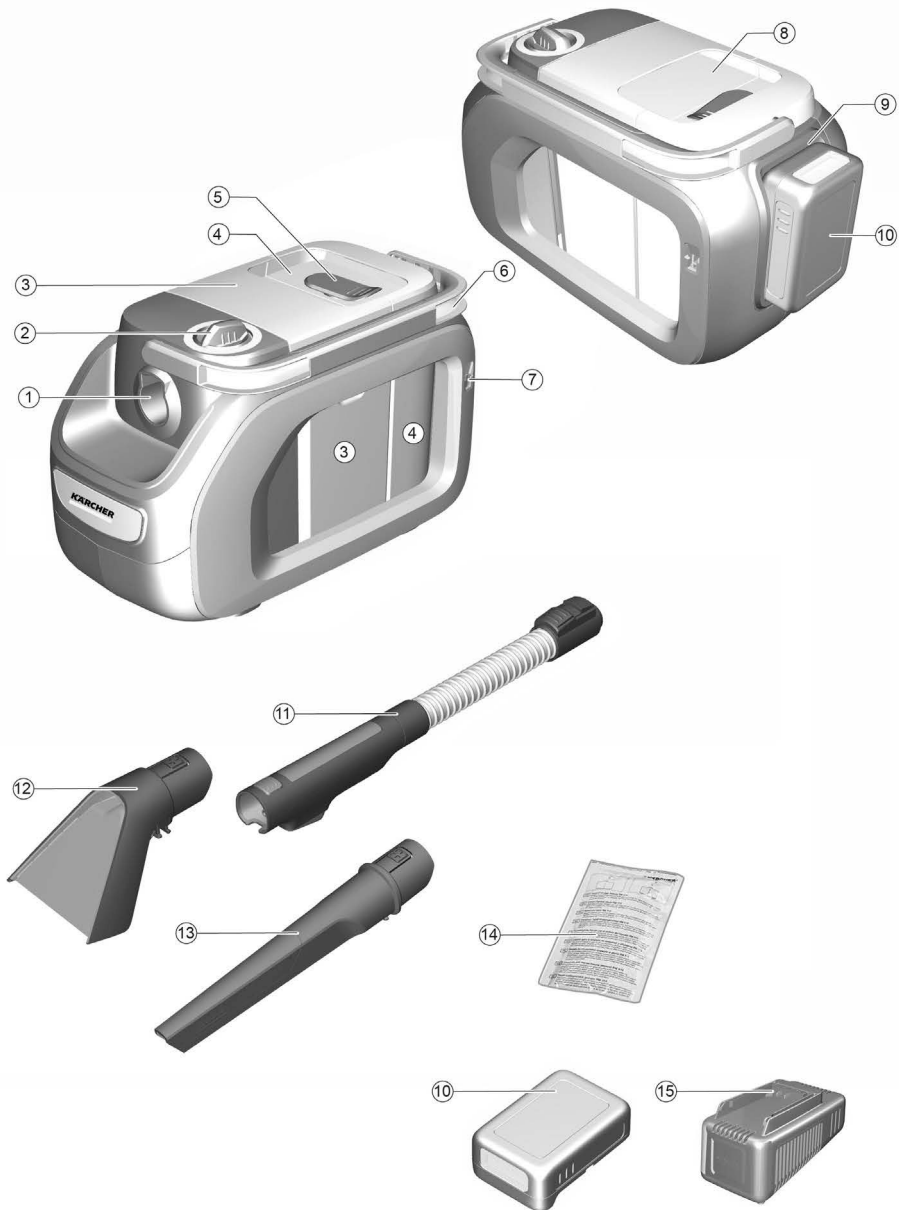


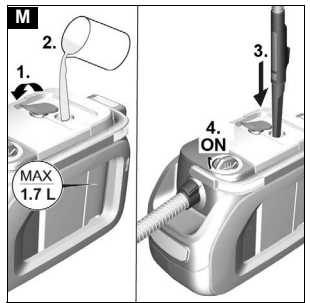
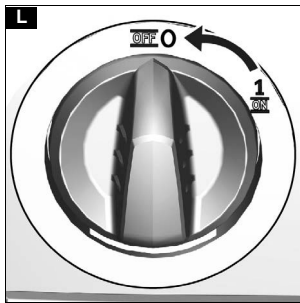
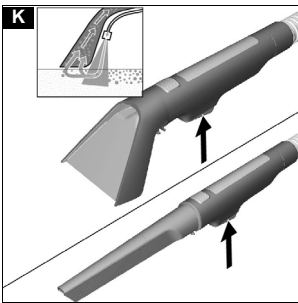
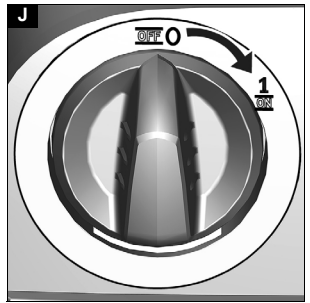
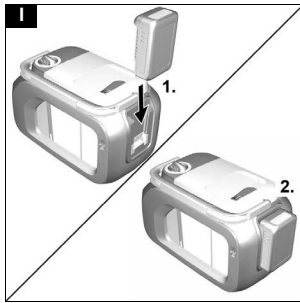
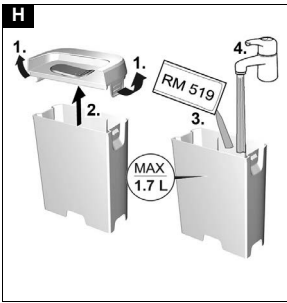
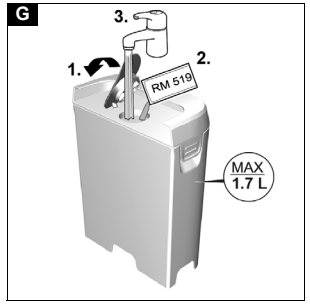
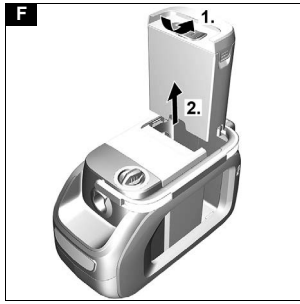
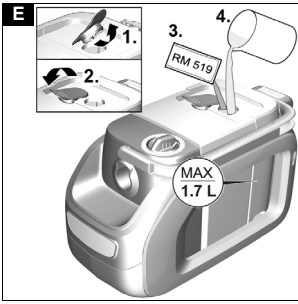
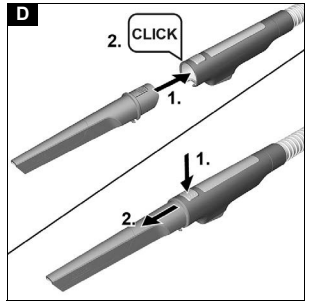
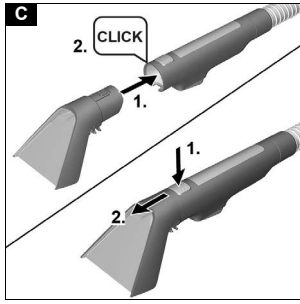
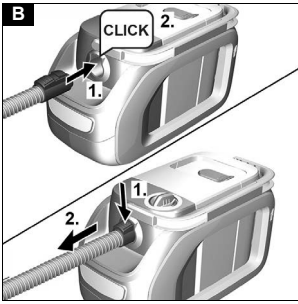
SE 3-18 Compact

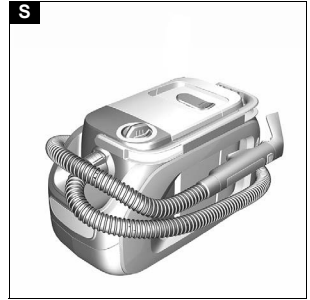
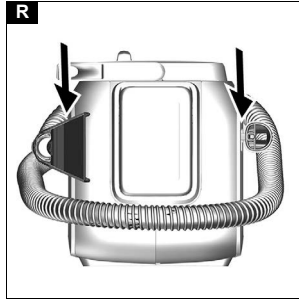
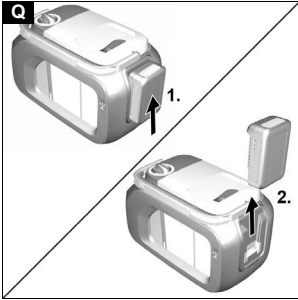
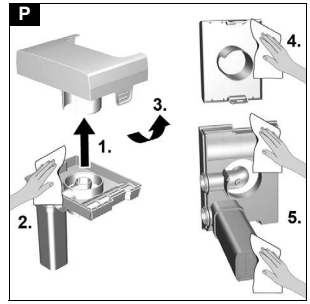
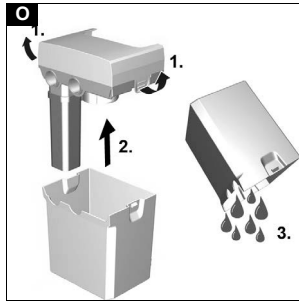
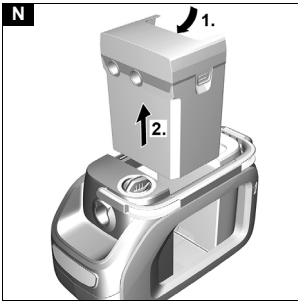


**Register
your product**
www.kaercher.com/welcome









Contents

General information.....	5
Safety instructions.....	5
Intended use.....	6
Environmental protection.....	6
Customer Service department.....	6
Accessories and spare parts.....	6
Scope of delivery.....	6
Warranty.....	6
Symbols on the device.....	6
Description of the device.....	6
Battery pack charging.....	7
Initial startup.....	7
Operation.....	7
Transport.....	9
Care and service.....	9
Troubleshooting guide.....	9
Technical data.....	9

General information



Before using the device read the enclosed original operating instructions of this device, the battery pack and the charger. Act in accordance with them.

Keep these documents for future reference or for future owners.

- If the operating instructions are not observed, the device can be damaged and dangers could arise for the operator and other persons.
- Notify the dealer immediately in the case of shipping damage.
- Depending on the device variant, the battery pack and charger are included in the scope of delivery.
- Check the package contents when unpacking for missing accessories or for damage.

You can find a QR Code® for calling up an application video in:



QR-Code® is a registered trademark of DENSO WAVE INCORPORATED.

Safety instructions

Hazard levels

⚠ DANGER

- Indication of an imminent threat of danger that will lead to severe injuries or even death.

⚠ WARNING

- Indication of a potentially dangerous situation that may lead to severe injuries or even death.

⚠ CAUTION

- Indication of a potentially dangerous situation that may lead to minor injuries.

ATTENTION

- Indication of a potentially dangerous situation that may lead to damage to property.

General safety instructions

⚠ DANGER • Risk of asphyxiation. Keep packaging film out of the reach of children.

⚠ WARNING • Only use the device for its proper use. Take into account the local conditions and beware of third parties, in particular children, when working with the device. • Persons with reduced physical, sensory or mental capabilities and persons lacking experience and knowledge may only use the appliance if they are properly supervised, have been instructed on use of the appliance safely by a person responsible for their safety, and understand the resultant hazards involved. • Only people who have been instructed on how to use the device, or have proven their ability to operate it, and have been explicitly instructed to use it, must use the device. • Children must not operate the device. • Children must be supervised to prevent them from playing with the appliance. • Children may only perform cleaning work and user maintenance under supervision.

⚠ CAUTION • Safety devices are provided for your own protection. Never modify or bypass safety devices.

Operation

⚠ DANGER

- Operation in explosive atmospheres is prohibited.
- Risk of explosion
- Never use the device to vacuum up combustible gases, liquids or dusts.
- Never use the device to vacuum up reactive metal dusts (e.g. aluminium, magnesium, zinc).
- Never use the device to vacuum up undiluted brine or acids.
- Never use the device to vacuum up any burning or smouldering objects/matter. These substances can corrode the materials in use on the device.
- Have repair work and work on electrical components carried out only by authorized Customer Service personnel.

⚠ WARNING

- Risk of injury. Do not use the nozzle and suction pipe at head height.
- In case of any foam formation or escaping liquids, switch off the device immediately and remove the mains plug or the battery pack.

⚠ CAUTION

- Never leave the device unsupervised while it is in operation.

- Check the device and the accessories prior to each use to make sure they are safe and working correctly. Do not use the device if it is not working properly or if it is not safe to operate.
- Do not use the device if it has been dropped beforehand, has received an impact or is visibly damaged. Have any damage repaired correctly before using the device again.
- Only use the detergents recommended by the manufacturer and observe the application, disposal and warning instructions of the detergent manufacturers.

ATTENTION

- Protect the device from extreme weather conditions, moisture and heat.
- Never vacuum substances such as plaster, cement, etc., as they can harden when in contact with water and endanger the function of the device.

Care and service

Note

- Switch off the device and remove the battery pack before performing any care and service work.

⚠ CAUTION

- Have repair work and work on electrical components carried out by the authorised customer service only.

⚠ WARNING

- The appliance contains electrical components - do not clean the appliance under running water.

ATTENTION

- Do not use scouring agents, glass or multi-purpose cleaner for cleaning.
- Remove the battery pack from the device before a longer period of inactivity.
- Remove a used battery pack from the device and dispose if it properly.

Intended use

Only use the device in private households. The device is intended for use as a spray extraction cleaner for cleaning car interiors and upholstery textiles indoors in accordance with the descriptions given in these operating instructions and the safety instructions. For operation, a battery pack of the KÄRCHER Battery Power (+) platform with 18 V nominal voltage and a suitable KÄRCHER charger with 18 V nominal voltage is required, which are not included in the scope of delivery. Battery packs/chargers that are not supplied in the scope of delivery or are additionally required are available as accessories.

Environmental protection



The packing materials can be recycled. Please dispose of packaging in accordance with the environmental regulations.



Electrical and electronic devices contain valuable, recyclable materials and often components such as batteries, rechargeable batteries or oil, which - if handled or disposed of incorrectly - can pose a potential danger to human health and the environment. However, these components are required for the correct operation of the device. Devices marked by this symbol are not allowed to be disposed of together with the household rubbish.

Notes on the content materials (REACH)

Current information on content materials can be found at: www.kaercher.de/REACH

Customer Service department

Our local KÄRCHER branch will be happy to help you if you have any questions or problems with the device.

Accessories and spare parts

Only use original accessories and original spare parts. They ensure that the appliance will run fault-free and safely.

Information on accessories and spare parts can be found at www.kaercher.com.

Scope of delivery

The scope of delivery for the appliance is shown on the packaging. Check the contents for completeness when unpacking. If any accessories are missing or in the event of any shipping damage, please notify your dealer.

Warranty

The warranty conditions issued by our sales company responsible apply in all countries. We shall remedy possible malfunctions on your device within the warranty period free of cost, provided that a material or manufacturing defect is the cause. In a warranty case, please contact your dealer (with the purchase receipt) or the next authorised customer service site.

(See overleaf for the address)

Symbols on the device

SYSTEM CLEANING		
1		<ul style="list-style-type: none"> • Symbols for system cleaning after use are present on the inside of the fresh water tank:
2		

- 1 Fill the fresh water tank with tap water.
- 2 Insert the crevice nozzle completely into the tank opening and switch the device on. See also chapter *Finishing operation*

Description of the device

Depending on the model selected, there are differences in the equipment. The specific equipment is described on the device packaging.

For the illustrations, refer to the graphics page.

Illustration A

- ① Spray/suction hose connection
- ② Power switch (1 (ON) / 0 (OFF))
- ③ Waste water tank with lid
- ④ Fresh water tank with lid
- ⑤ Fuel cap
- ⑥ Carrying handle
- ⑦ Holder for accessories
- ⑧ Storage for sponge, brush, detergent bag
- ⑨ Battery pack mounting
- ⑩ *Rechargeable battery pack
- ⑪ Spray/suction hose with rotating handle

- ⑫ Upholstery nozzle for spray extraction
- ⑬ Crevice nozzle for spray extraction
- ⑭ Detergent RM 519 (100 ml)
- ⑮ *Charger

* optional

Battery pack charging

- Charging the battery pack (see operating instructions and safety instructions for the battery pack and the charger).

Initial startup

Pre-cleaning

Note

As the device does not have a dry vacuum function, if necessary remove coarse-grained dirt (e.g. crumbs) with a commercially available vacuum cleaner before cleaning the textiles.

Connecting accessories

- Press the spray/suction hose into the spray/suction hose connection on the device until it latches into place.
 - For removal, press the latch and pull the spray/suction hose out.
- Connect the upholstery nozzle or crevice nozzle to the handle, depending on the application case.
 - To separate the upholstery nozzle and crevice nozzle, press the catch on the handle and pull the spray/suction hose off.

Illustration B
Illustration C
Illustration D

Filling the fresh water tank

ATTENTION

Only switch on the device when the fresh water tank and waste water tank are installed.

ATTENTION

The fresh water and waste water tanks must be firmly seated in the device.

ATTENTION

The use of unsuitable detergents can damage the device and result in loss of eligibility for warranty claims.

Note

If necessary, use KÄRCHER RM 519 detergent for cleaning upholstery.

- Observe the manufacturer's dosing quantity recommendations when dosing with detergent.
- A dosage of approx. 100 ml of detergent is recommended per tank filling.
- Pour in the detergent and then fill up to "Max" with water.
- The total filling quantity is a maximum of 1.7 litres.

Note

The fresh water tank can be removed at any time for filling or be filled directly on the device.

Filling the water reservoir directly on the device

- Pull the tank cap upwards and turn sideways. Dose the detergent according to the specifications and then fill the tank with water up to the "MAX" mark.

Illustration E

- Close the tank cap.

Removing the water tank for filling

- Pull out the water tank vertically upwards by the recessed grip.

Illustration F

- Pull the tank cap upwards, turn it sideways and fill the water tank with detergent and tap water up to the "MAX" mark.

Illustration G

or

Unlock the tank lid, remove it and fill with detergent and tap water up to the "MAX" mark.

Illustration H

- Close the tank cap or fit the tank lid making sure that it is firmly seated.
- Fit the water tank down to the bottom of the device.

Fitting the battery pack

- Push the battery pack into the battery pack mount from above until the battery pack latches into place.

ATTENTION

Only use battery packs from the KÄRCHER Battery Power (+) platform with 18 V nominal voltage.

Illustration I

Switching on the device

- Turn the power switch to position 1 (ON).

Illustration J

The suction turbine and pump start.

Operation

Cleaning upholstery

Note

Warm water (maximum 50 °C) increases the cleaning effect.

Note

Only use the RM 519 detergent from KÄRCHER for cleaning.

ATTENTION

Danger from cleaning solution

Risk of damage

Before using the device, check the object to be cleaned for colour fastness and water resistance in an inconspicuous place.

- Fill the fresh water tank with detergent and water, see chapter *Filling the fresh water tank*.
- Fit the battery pack, see chapter *Fitting the battery pack*.
- Switch the device on, see chapter *Switching on the device*.
- Press the lever on the handle to spray the cleaning solution.
- Pull the upholstery nozzle backwards over the surface to be cleaned in overlapping paths, do not push.

Note

When the wastewater container is full, a float switch closes the suction opening and the device runs at a higher speed.

- Switch off the device immediately and empty the waste water tank, see chapter *Emptying the waste water tank*.

Cleaning methods

Light / Normal soiling

- Turn the power switch to position 1 (ON).

Illustration J

The suction turbine and pump start.

- Press the lever for spraying.
The cleaning solution is sprayed on.
- Illustration K**
- Release the lever for spraying and vacuum the residues of the cleaning solution.
- After cleaning, clean the upholstery with clean, warm water and impregnate if desired.

Heavily soiling or stains

- Turn the power switch to position 1 (ON).
Illustration J
The suction turbine and pump start.
- Press the lever for spraying.
Illustration K
Cleaning solution is sprayed.
- Turn the power switch to position 0 (OFF).
Illustration L
- Allow the cleaning solution to act for at least 5 minutes.
- Turn the power switch to position 1 (ON).
The suction turbine and pump start.
Illustration J
- Suck off any residues of the cleaning solution.
- Repeat the procedure if necessary.
- After cleaning, clean the upholstery with clear, warm water and impregnate if desired.

Finishing operation

Note

To ensure that no cleaning and dirt particles remain in the lines, carry out a system cleaning (without the addition of detergents) after each application.

- Turn the power switch to position 0 (OFF).
Illustration L
- Empty the waste water tank, see chapter *Emptying the waste water tank*.
- Fill the fresh water tank with tap water up to the "MAX" mark, see chapter *Filling the fresh water tank*.
- Connect the spray/suction hose to the crevice nozzle.
- Open the tank cap and insert the crevice nozzle completely into the opening.
Illustration M
- Turn the power switch to position 1 (ON) and simultaneously press and hold down the spray lever on the handle.
Illustration J
The rinsing process is finished as soon as the fresh water tank is completely empty.
- Turn the power switch to position 0 (OFF).
Illustration L
- Remove the battery pack, see chapter *Removing the battery pack*.
- Charge the battery pack if necessary.
- Empty the waste water tank, see chapter *Emptying the waste water tank*.
- Thoroughly rinse the waste water tank with clear water.
- If necessary, e.g. if the sieve in the fresh water tank is contaminated, rinse the fresh water tank with clear water, see chapter *Cleaning the waste water tank cap and separator*.
- Disconnect the accessories from the device.
- To remove any remaining liquid in the spray/suction hose:
 - Press the catch and remove the spray/suction hose from the device.

- Press the lever on the handle and let the liquid flow out.

Note

To allow the liquid to dry completely, do not wrap the spray/suction hose around the device to dry.

Note

To avoid puddles in the living area (e.g. on carpet, parquet), let the remaining liquid run in a suitable container (e.g. sink, bucket).

- Rinse the upholstery nozzle with tap water and let the device dry with the other accessories.
- Stow the device in the "drying position" (with the two tank lids slightly open so that any remaining liquid can dry without leaving any residue).

Emptying the waste water tank

- Pull out the dirty water tank vertically upwards by the recessed grip.
Illustration N
- Unlock the two side ones tank caps, remove the filler cap and dispose of waste water.
Illustration O
- When continuing the cleaning work: Replace the filler cap, making sure that it is firmly seated. Insert the waste water tank down to the bottom of the device.
- At the end of the cleaning work: Stow the device in the "drying position" (the filler cap is slightly open and any remaining liquid can dry without leaving any residue).

Cleaning the waste water tank cap and separator

Note

2 grids are fitted to the inside of the waste water tank cover (on the separator). If the grids are wet or dirty, the float may not switch correctly or the device may switch off too early.

Therefore, ensure that the grids are clean and dry during operation.

- Remove the waste water tank from the device, see chapter *Emptying the waste water tank*
- Remove the tank lid from the tank and remove the separator.
- Carefully clean the tank lid and separator with a damp cloth.
- Carefully remove moisture with a dry cloth.
Illustration P
- Fit the tank lid and separator together, fasten on the tank and fit them back into the device.

Removing the battery pack

Note

During longer work breaks, remove the battery pack from the device and secure it against unauthorised use.

- Push the battery pack upwards and remove it from the device.

Illustration Q

Storing the device

- Fasten the crevice nozzle to the accessory holder.
- Wrap the suction hose around the device and fasten it to the other accessory holder with the upholstery nozzle.

Illustration R

Illustration S

- Store the device in a dry and frost-free room.

Transport

⚠ CAUTION

Failure to observe the weight

Risk of injury and damage

Be aware of the weight of the device during transportation.

Manual transport

1. Lift and carry the device by the carrying handle.

Transport in vehicles

1. Secure the device against slipping and tipping over.

Care and service

Device and accessories

1. Clean the device and accessory parts made of plastic with a commonly available plastic cleaner.
2. Rinse the container and accessories with water as necessary and dry them thoroughly before further use.
3. Regularly check the battery terminals for soiling and clean them as necessary.

Cleaning the fresh water filter

Note

On the bottom of the fresh water tank there is a filter on which dirt particles can settle and thereby obstruct the water flow.

Therefore, regularly rinse out the fresh water tank.

1. Remove the fresh water tank from the device, see Chapter *Filling the fresh water tank* Filling the fresh water tank.
2. Rinse out the fresh water tank with clean water.
3. Insert the fresh water tank back into the device.

Troubleshooting guide

Device not running

Battery pack not correctly seated in the battery pack mounting.

1. Push the battery pack into the battery pack mounting until it latches into place.

Note

If necessary, remove the battery pack again and reinsert it until it latches into place.

Charging state of the battery pack (see display) too low.

1. Charge the battery pack.

Defective battery pack or charger.

1. Replace the battery pack or charger.

Device switches off automatically

Device/battery pack overheated.

- Wait until the device/battery pack has cooled down.
- Grids of the waste water tank lid are contaminated or wet.

- Clean/dry the grids.

No water emitted from the nozzle

- Fill up the fresh water tank.
- Check connection of accessory nozzle and spray/suction hose for correct fit.
- Clean the fresh water filter.
- Spray pump defective, contact customer service.

Poor suction performance

Upholstery nozzle, crevice nozzle or suction hose are blocked.

- Check the upholstery nozzle, crevice nozzle and suction hose for blockages and clean if necessary.

Technical data

Electrical connection

Battery pack nominal voltage	V	18 DC
Nominal power	W	200

Device performance data

Fresh water filling quantity	l	1,7
Wastewater filling quantity	l	2,9
Operating time with full battery charge in normal operation (18 V, 2.5 Ah)	Minutes	12
Operating time with full battery charge in normal operation (18 V, 5 Ah)	Minutes	24
Surface performance (18 V, 2.5 Ah)	m ²	6,5

Dimensions and weights

Weight	kg	3,9
Length x width x height	mm	400x210 x245

Determined values in acc. with EN 60335-2-69

Sound pressure level	dB(A)	<70
----------------------	-------	-----

Subject to technical modifications.



THANK YOU!
MERCI! DANKE! ¡GRACIAS!



Registrieren Sie Ihr Produkt und profitieren Sie von vielen Vorteilen.

Register your product and benefit from many advantages.

Enregistrez votre produit et bénéficiez de nombreux avantages.

Registre su producto y aproveche de muchas ventajas.

www.kaercher.com/welcome



Bewerten Sie Ihr Produkt und sagen Sie uns Ihre Meinung.

Rate your product and tell us your opinion.

Évaluer votre produit et dites-nous votre opinion.

Reseñe su producto y díganos su opinión.



www.kaercher.com/dealersearch

Alfred Kärcher SE & Co. KG

Alfred-Kärcher-Str. 28-40

71364 Winnenden (Germany)

