

MCombo®



OWNER'S MANUAL

RECLINER WITH OTTOMAN



Mcombo.com



Amazon.com/mcombo

Newacme LLC, 2808 Vail Ave, Commerce, CA, 90040
sales@mcombo.com
1-323-597-1109 (8:00 a.m. - 4:00 p.m. (Monday - Friday) TIME ZONE: PST)

NEWACME LLC www.mcombo.com / sales@mcombo.com

6151-4734

Hello,

Thank you for choosing MCombo®

Let's get started

○ PURCHASER'S AGREEMENT

By accepting delivery of this product, you promise that you will not change, alter, or modify this product or remove or render inoperable or unsafe any guards, shields or other safety features of this product.

You will not refuse or neglect any retrofit kits that MCombo may provide to enhance and preserve the safe use of this product.

CONTENTS

| | | | | | |
|------------|--|------|------------|------------------------------------|------|
| I | SAFETY GUIDELINES | - 01 | V | WARRANTY | - 16 |
| | <ul style="list-style-type: none"> • Mandatory • Danger • Warning • Symbols information • Disclaimer • Pre Assembly Introduction | | | | |
| II | ASSEMBLY INSTRUCTIONS | - 05 | VI | RETURN / REPLACEMENT POLICY | - 17 |
| | <ul style="list-style-type: none"> • Product Parameters • Part List • Assembly Steps | | | | |
| III | CARE AND MAINTENANCE | - 13 | VII | MCOMBO CUSTOMER SUPPORT | - 18 |
| | <ul style="list-style-type: none"> • Fabric Care • Electronics Care • Faux Leather Care • Wood Base Care • Metal Care • Disposal & Recycling | | | | |
| IV | TROUBLESHOOTING | - 15 | | | |

I. SAFETY GUIDELINES

1. Mandatory

Read the safety and other instructions thoroughly before using your MCombo® product. Failure to follow the guidelines, warnings in this manual and those located on your product can result in personal injury or product damage and will void the product warranty. Keep this manual for future reference.

2. ⚠️ Danger

- To prevent suffocation, keep plastic bags away from children.
- Do not allow children play on or near the chair when in use. Serious injury or death could occur if a child is under the chair when the chair is in motion.
- Keep cord out of reach of small children, and do not use where it may be a trip hazard.
- Plug directly into a wall outlet. Do not use an extension cord or adapter.
- Do not use this product if it is wet, in water, around water or any liquid.
- Before moving or troubleshooting, unplug power cords from outlet and secure the mechanism to prevent unexpected movement of the chair.

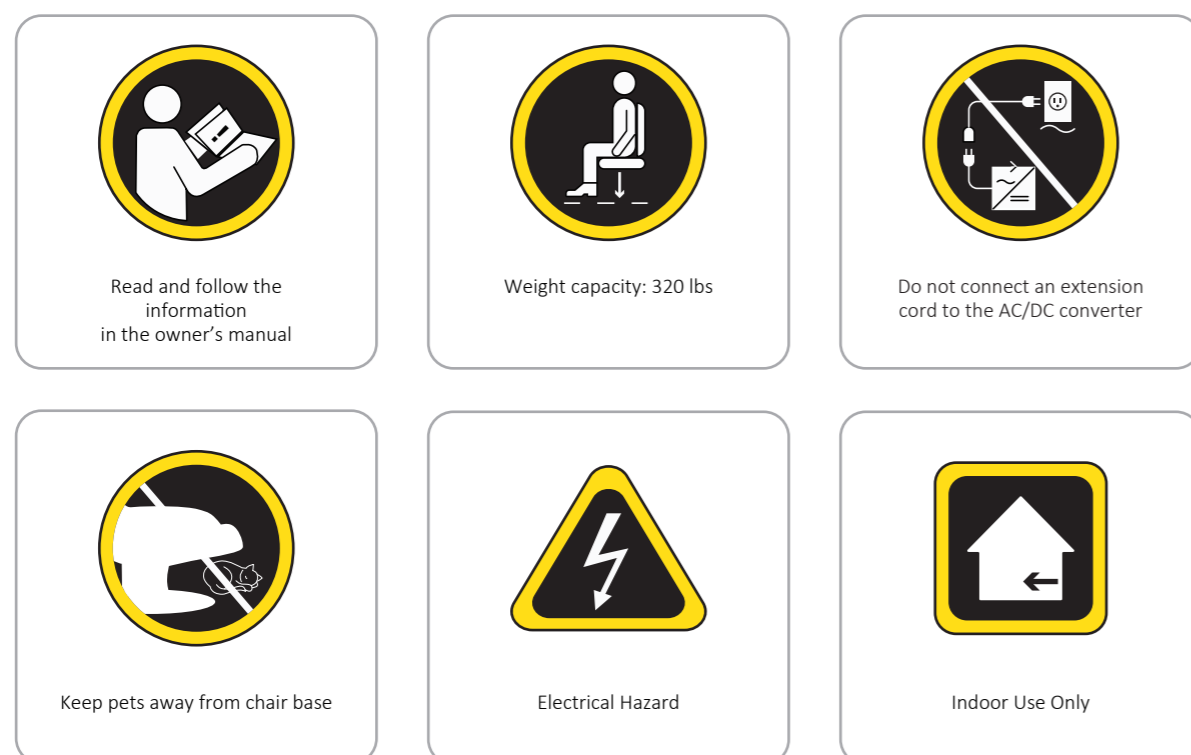
3. Warning

- Weight Capacity: 330 lbs.
- Do not use outdoors. INDOOR USE ONLY.
- To avoid tip over, do not put your weight against the back of the chair.
- Do not stand, sit, or place extra weight on the arms, back or open footrest.
- Do not use this product if it is damaged. Do not use attachments or substitute parts.

- Avoid exposing upholstered chair to burning cigarettes or cigars, open flames, and high temperatures.
- Do not operate the unit until the back is installed and locked.
- Do not attempt to disassemble or repair the actuator; no serviceable parts are inside.
- Do not allow electrical cord to be pinched between moving parts or between the frame and the floor.
- Do not place cord under carpet or in a location where it could become worn.
- Do not attempt to disconnect the power plug by pulling the power cord. Always hold the power plug and pull it out.
- Closely supervise children and disabled persons using this product.
- To reduce the risk of head entrapment and other injuries, keep children and pets away from openings and moving parts in and around furniture.
- Check the condition of the power supplies, electrical cords, plugs, and connectors often. Keep the power supplies and electrical cords away from heat sources. Never operate the unit with a damaged power supply, electrical cord, plug or connector.
- Unplug the power cord immediately if you detect strange odors or fumes coming from the chair.
- The chair is intended for a single occupant, not exceeding 330 pounds. Do not operate the chair with more than one occupant in or on any part of the chair.
- If you give this product to someone else, must include this owner's manual.

4. Symbols Information

The symbols below represent labels used on the product to identify warnings, mandatory actions, and prohibited actions. It is especially important for you to read and understand these symbols completely. Do not remove these labels from your product. Please note that not all the symbols may be used on your chair.



5. Disclaimer

Make sure you read and understand this manual completely before using your MCombo Product. We are not and cannot be held responsible for any damage or injury incurred due to improper or unsafe use of the MCombo Product. We specifically disclaim responsibility for any bodily injury or property damage that may occur during any use that does not comply with applicable federal, state, or local laws or ordinances.

6. Pre Assembly Introduction

Teamwork/2-People Recommended

Always have at least two people to help with transporting and assembling the product to avoid potential injury and/or damage.



Avoid Scratches

Use cardboard or carpet area when assembling the product to prevent scratches.



Level & Flat Surface

Make sure the product rests on a flat and level surface so that each legs touch the floor evenly.



Allen Wrench is included in the package to help you install the product. But the tools, like Phillips Screwdriver is not included.



II. ASSEMBLY INSTRUCTIONS

■ Notice

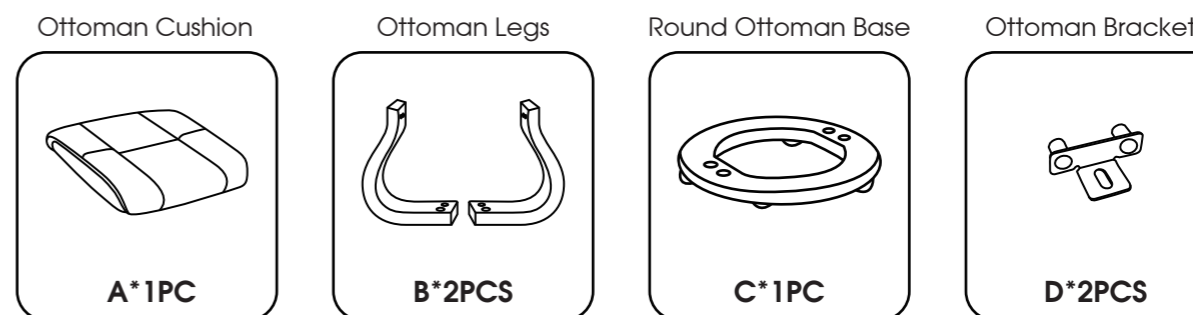
- Please read these instruction thoroughly before using.
- Do not plug the power supply in until assembly complete.
- Please contact us (See “MCombo Customer Support” on Page) immediately if anything is missing or damaged.

1. Product Parameters

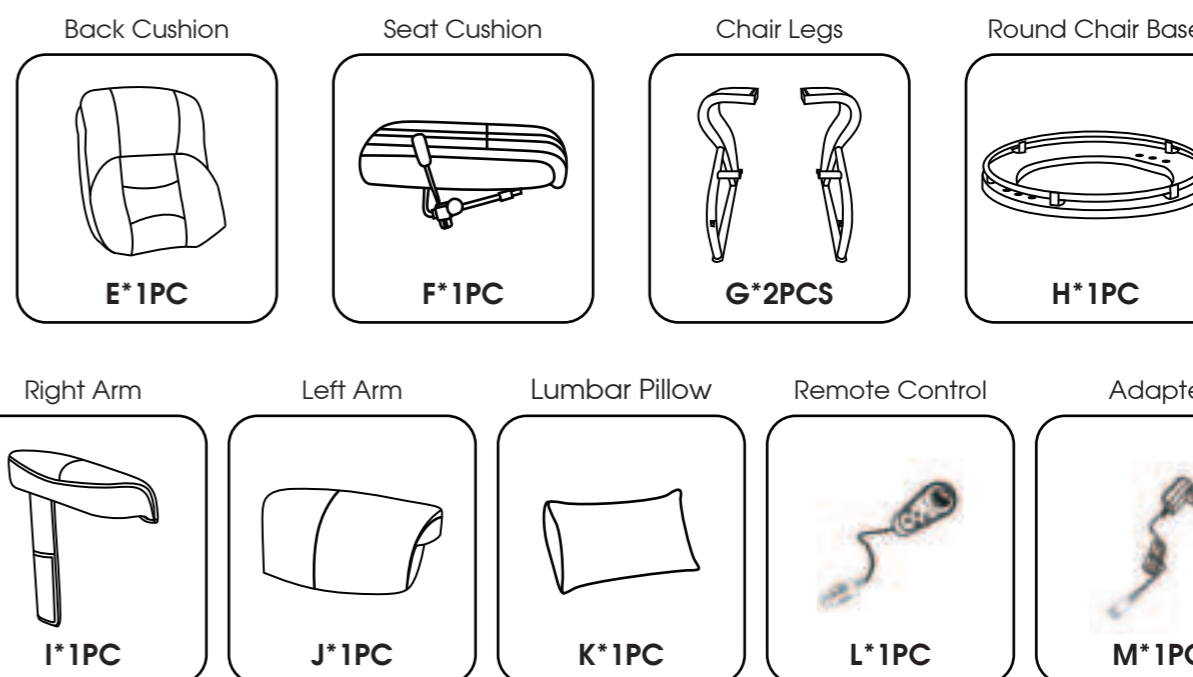
| Specification | Description |
|-------------------|---|
| Product Model No. | 6151-4734 |
| Input | 100-240VAC 50/60Hz 0.5A |
| Output | 12.0VDC 0.5A |
| Package Quantity | 2 |
| Carton Dimension | 6151-4734-1(box 1 of 2): 26.8 ×26.0 ×18.9 inch 6151-4734-2(box 2 of 2): 33.9 ×12.6 ×24.8 inch |
| Weight Capacity | 330lbs |
| Reclining Angle | 110°-140° |
| Package Contains | Box 1 of 2: Seat Cushion, Ottoman Cushion, Chair Legs, Ottoman Legs, Round Chair Base, Remote, Round Ottoman Base, Screw Pack, Instructions |
| | Box 2 of 2: Left & Right Arms, Back Cushion, Lumbar Pillow |

Part List

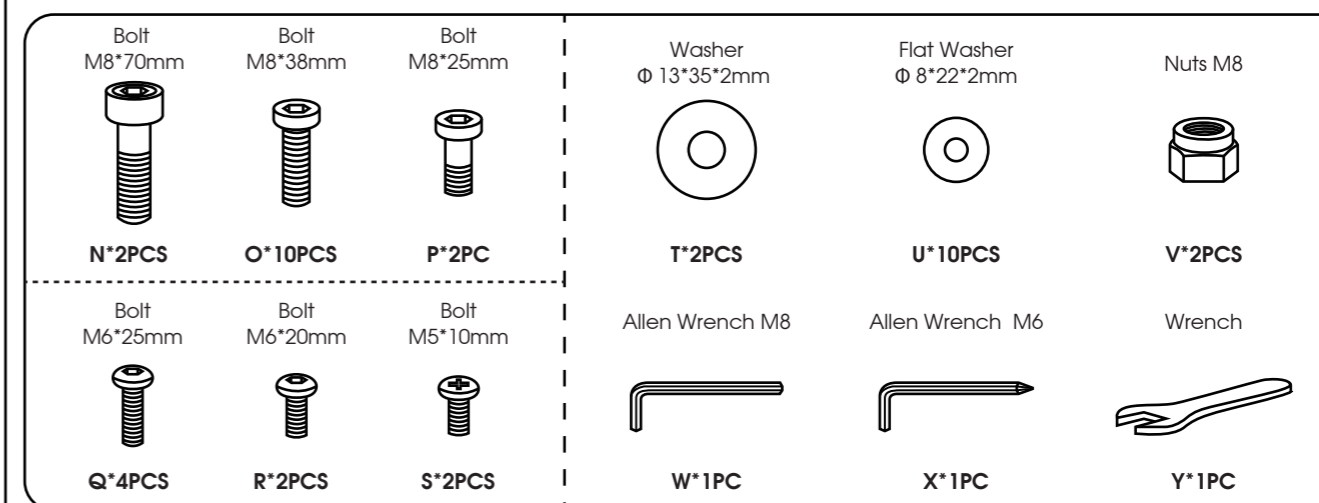
Parts for Ottoman



Parts for Recliner



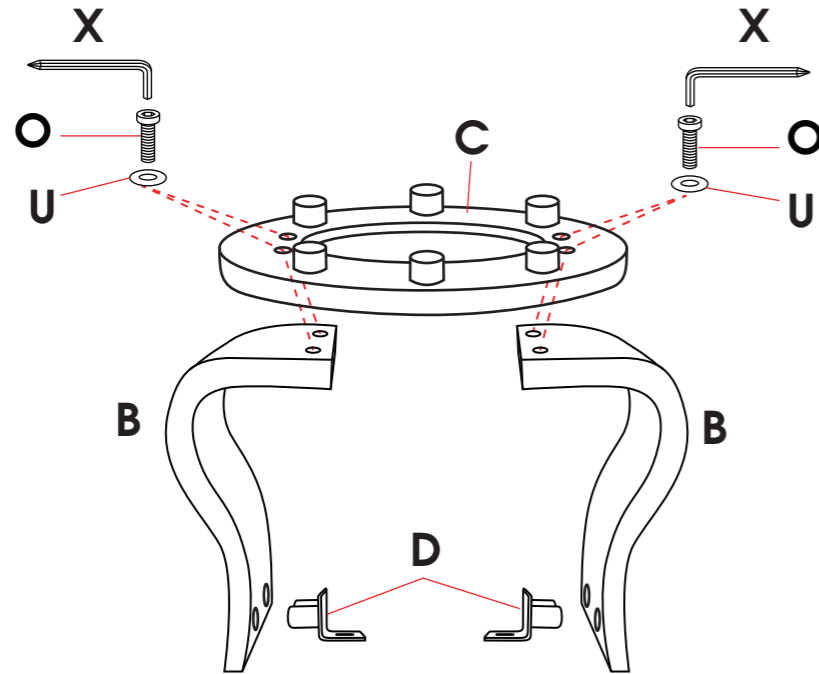
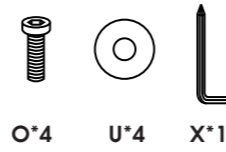
Hardware List



Assembly of Ottoman

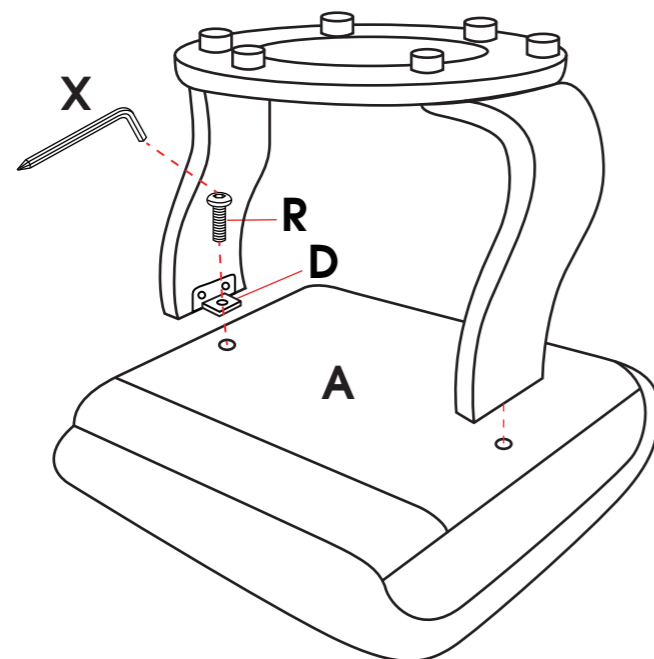
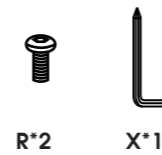
Step 1

1. Use 4 Bolts #O and 4 Washers #U to fix 2 Ottoman Legs #B to Round Ottoman Base #C and tighten the bolts with Allen Wrench #X.
2. Install 2 Ottoman Brackets #D in Ottoman Legs #B.



Step 2

Turn Round Ottoman Base up and down and use 2 Bolts #R to fix Ottoman Brackets #D to Ottoman Cushion #A.

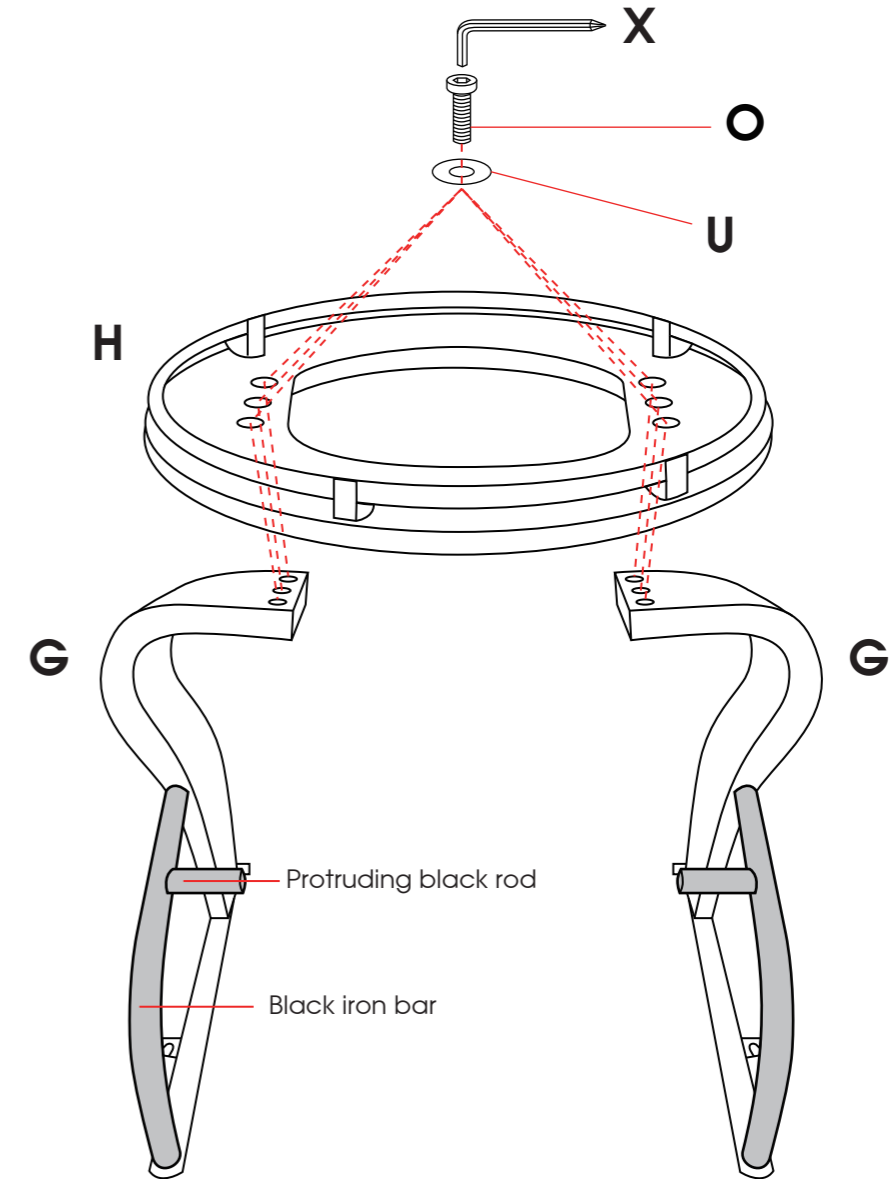
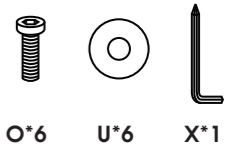


Assembly of Chair

Installing seat base

Step 3

Use 6 Bolts #O and 6 Washers #U to attach 2 Chair Legs #G to Round Chair Base #H respectively. Tighten the bolts with Allen Wrench #X.



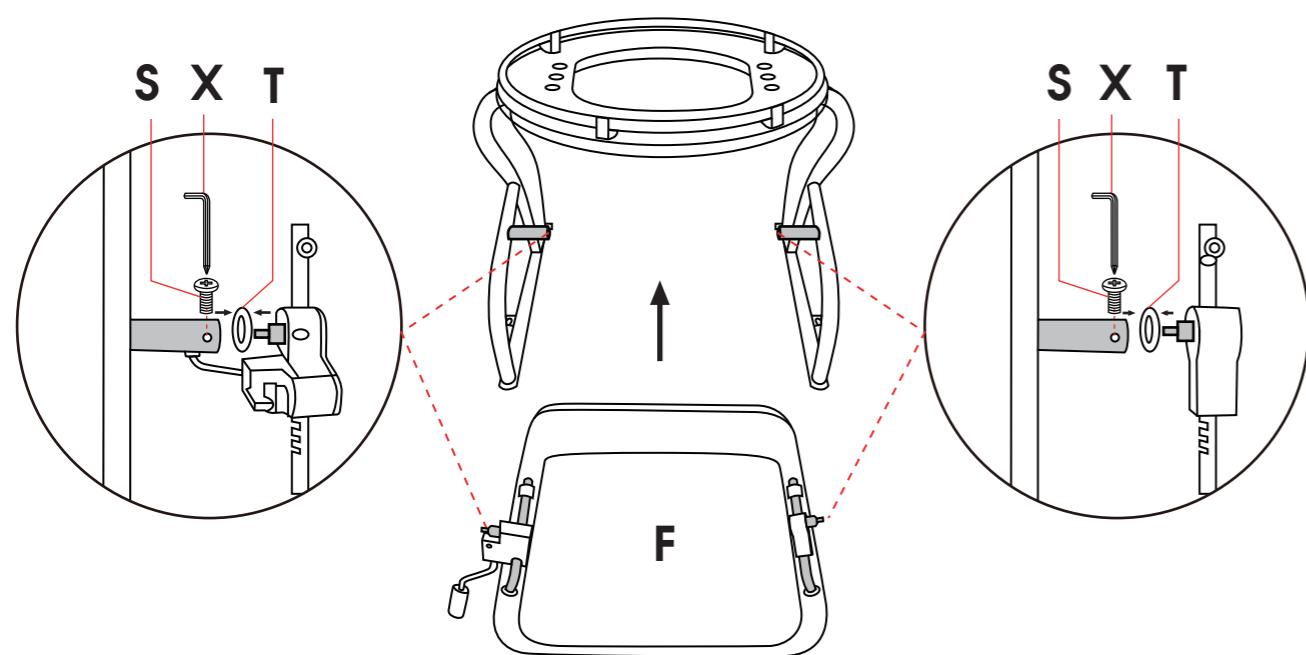
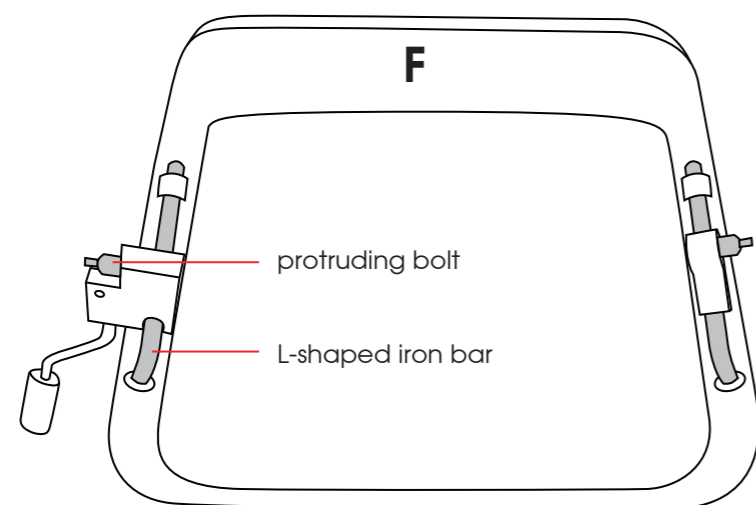
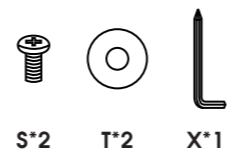
Note: The Black Rod protruding from the black iron bar on Chair Legs should face inwards.

Assembly of Seat Cushion

Step 4

Insert 2 Washer #T into the protruding bolt on the L-shaped iron bar under Seat Cushion #F.

Then insert the protruding bolt into the protruding black rod on the Chair Leg and use Bolts #S to fix them.

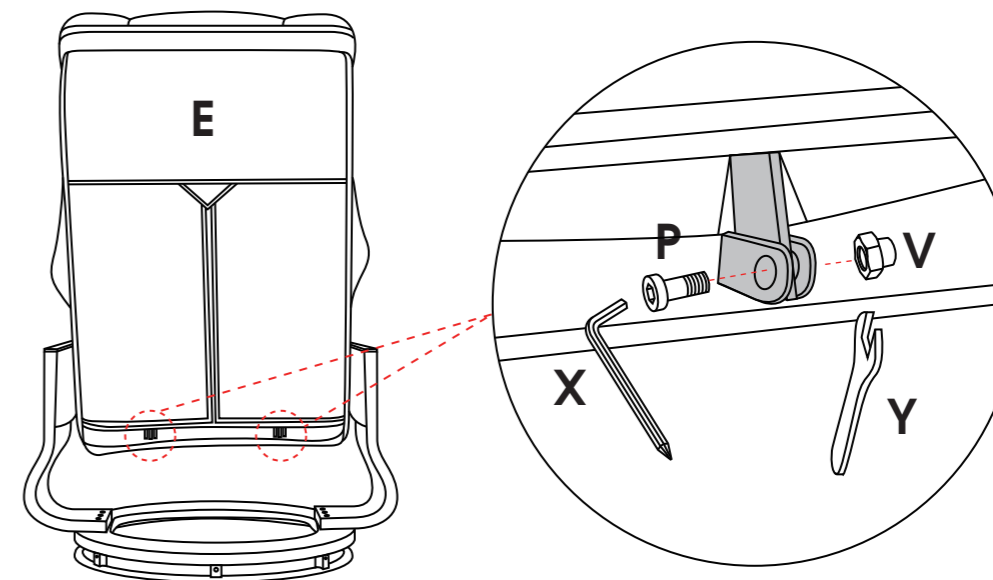
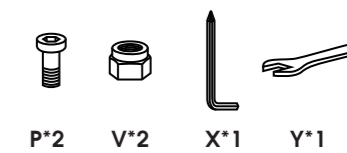


Assembly of Chair Back

Step 5

Align the holes in iron plates on Back Cushion #E with iron plates on Seat Cushion #F.

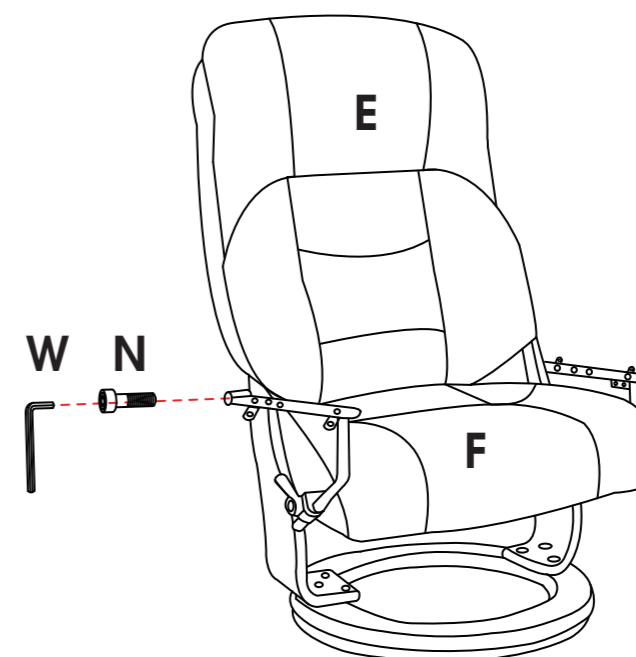
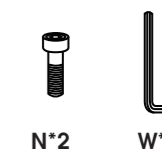
Fix Nuts #V and Bolts #P with Banner #Y and Allen Wrench #X.



Step 6

Align the holes in iron sheet of armrest with the holes on both sides of Back Cushion #E.

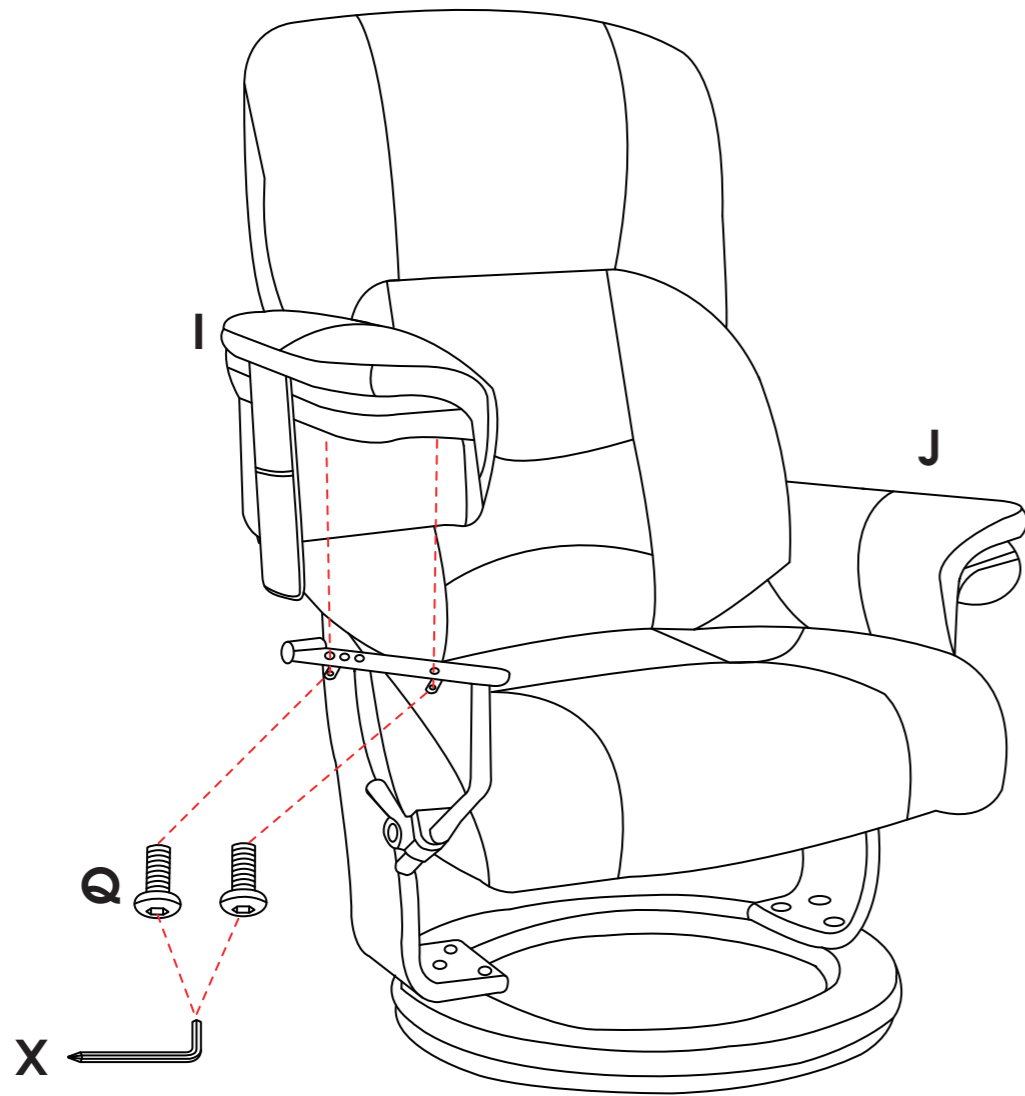
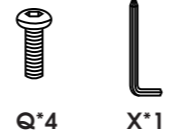
Use 2 Bolts #N to attach Back Cushion to Seat Cushion and tighten the bolts with Allen Wrench #W.



Assembly of Chair Arms

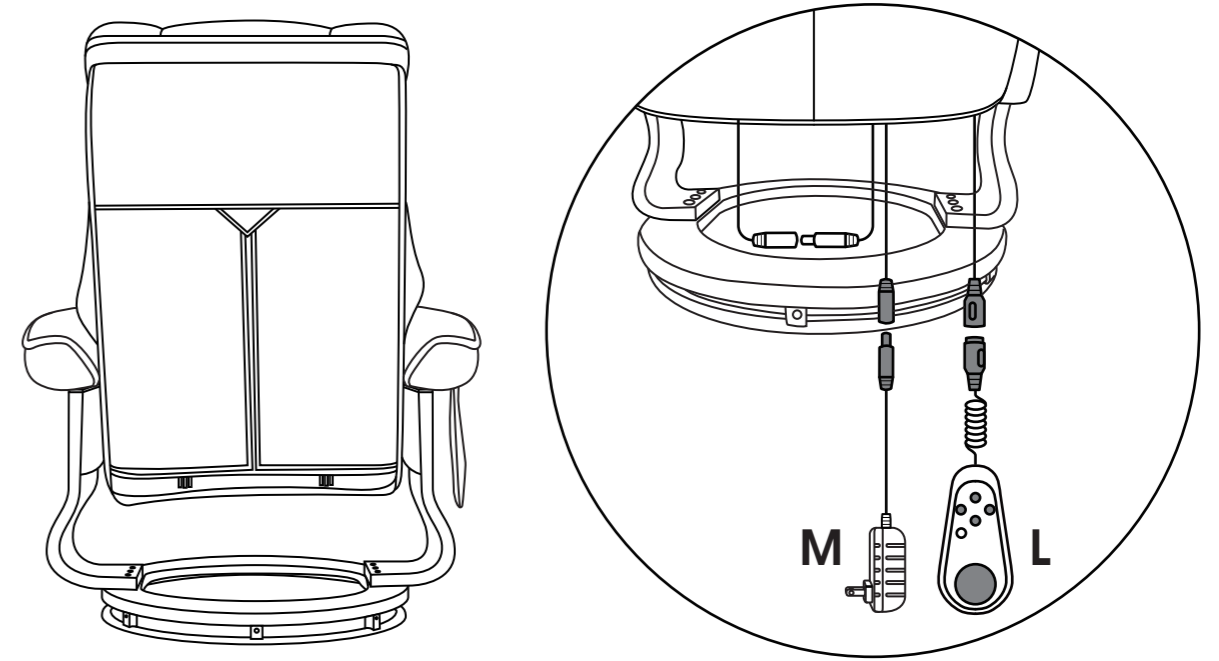
Step 7

Use Bolts #Q to install Right & Left Arm on the thin armrest plate.

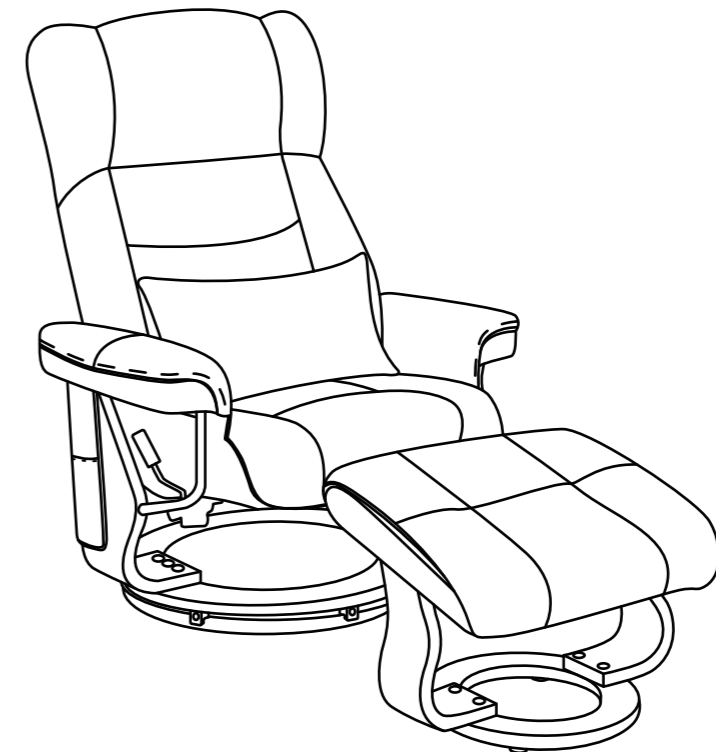


Step 8

Power Cord #M-Black: Connect 2 black connectors;
 Remote Control #L-Black: Connect 2 black connectors;
 Vibrating Cord- White: Connect 2 white connectors on back cushion and seat cushion.



Congratulations!



III. CARE AND MAINTENANCE

Your MCombo product will provide years of superior performance and satisfaction with regular care and maintenance. To maintain the finish quality of your "assistant", please follow the guidelines and cleaning procedures provided below.

■ Notice

- Do not place your chair in direct sunlight, as sunlight causes fading.
- Do not smoke cigarettes while seated in or using your chair.
- Avoid extreme changes in temperature by arranging chair away from radiators, heat and air vents.
- Do not use solvent-type cleaners to spot clean.
- Do not saturate fabric.
- Please be careful that pet scratch may cause fabric or leather break.

1. Fabric Care

- Inspect the fabric on a regular basis for any pulls, tears, or gaps.
- Frequent vacuuming or light brushing with a nonmetallic, stiff bristle brush to remove dust and grime is recommended.
- When liquid spills onto the fabric, please immediately wipe off liquid spills with a dry or lightly dampened clean white cloth, sponge, or paper towel.

2. Electronics Care

- Inspect all wiring harnesses to make sure they are not damaged or stuck under chair.
- Keep all the electronics free from moisture and temperature extremes.
- Check electrical components frequently for signs of corrosion and replace as necessary.
- Contact MCombo Customer Support if damage is present, do not fix it by yourself.

3. Faux Leather Care

- Never use detergents, polishes, preservers, saddle soap, abrasive brush or scrubber. They can remove natural oils.
- Dust, vacuum or wipe leather down regularly with a clean, dry microfiber cloth for routine maintenance.
- Do not place in direct sunlight; it will lighten or discolor leather over time.
- If spills occur, immediately soak up any liquids with an absorbent cloth and allow to air dry. Thorough cleaning by a leather specialist only.
- For more stubborn dust, dampen the cloth with distilled water. Make sure that the cloth is not soaking wet. Never let water soak into leather.

4. Wood Base Care

- Keep the wood base from a fireplace and heating and cooling vents; away from moisture sources, such as humidifiers; and out of direct sunlight.
- Daily exposure to heat or sunlight may fade the wood finishes and dry the wood, which can create cracks over time.

5. Metal Care

- Avoid bumping, and handle gently when moving;
- Avoid touching hard metal parts, such as fruit knives, keys, etc., to avoid scratches;
- Do not fold too fast to ensure that the folded part is not damaged.
- Avoid the direct exposure of sunlight, so as to avoid paint discoloration, dry cracking and peeling of colored paint layer, oxidation and deterioration of metal.
- Avoid placing chairs in damp places, avoid cleaning metal furniture with boiling water, wipe with a damp cloth, but do not rinse with running water.

6. Disposal & Recycling

Your power recliner sofa must be disposed of according to applicable local and national statutory disposal regulations. Contact your local waste disposal agency for information on proper disposal of recliner sofa packaging, metal/wood frame components, fabric, electronic components.

IV. TROUBLESHOOTING

The following troubleshooting FAQs should summarize what you need to know about your power recliner sofa. If at any time you do not feel comfortable performing the troubleshooting steps listed in this manual, please contact MCombo Customer Support for service.

| Questions | Answers |
|---|---|
| <p>What if the massage function doesn't work?</p> | <ul style="list-style-type: none"> • Check the electrical cords at the chair back are connected correctly. • Check the cords are not crimped or pinched. • Check the light on remote control goes on if the cords are correctly connected. |
| <p>What if the swivel base make noises when it swivels?</p> | <ul style="list-style-type: none"> • The lubricant oil can be applied to the swivel rail in chair base to reduce friction. |
| <p>What if the chair base or ottoman base has scratches?</p> | <ul style="list-style-type: none"> • Sometimes, the base is scratched in transit. If the chair/ottoman base you received has scratches, please be free to contact us. |

V. WARRANTY

■ Notice

- For product beyond the limited manufacturer warranty period and scope, MCombo® can also provide replacement service, but a basic charge will be charged according to the circumstances.
- The warranty only applies to MCombo® products and does not include any accessories or enhancements.
- Warranties are only valid in the 48 contiguous United States and are contingent upon the consumer operating the product according to the corresponding instruction manual.

| | |
|-------------------------|----------|
| Reclining Mechanism | ★ 1 Year |
| Upholstery Material | ★ 1 Year |
| Metal/ Wood Chair Frame | ★ 1 Year |
| Electronic Parts | ★ 1 Year |

CONSUMER WARRANTY LIMITATIONS AND EXCLUSIONS

All warranties begin on the date of delivery.
All warranties are to the original purchaser from MCOMBO® ONLY.

- MCOMBO® will replace the defective parts or send replacement product provided that the warranty parts have not been subjected to misuse, abuse or improper service by the consumer, for example, damaged wire arising in consequence of negligence or improper operation.
- Exclusions also include components with damage caused by:
 - Contamination
 - Abuse, misuse, accident, or negligence
 - Commercial use, or use other than normal
 - Improper operation, maintenance, or storage

NOTE:

MCOMBO® will pay standard shipping rates on all warranted parts for the first year. We can also sell you replacement part for a discount price when your product is out of warranty policy.

VI. RETURN/ REPLACEMENT POLICY

■ Notice

Why don't we recommend returning the item by yourself?

- Huge cost- UPS/FedEx oversize fee.
- Need you to take the box to UPS/FedEx facility.

Return/ Replacement Policy

MCOMBO®




All of product come with a 30-day return/replace policy. During this time, we will cover the shipping cost of return and replacement for defective and damaged product, through providing pre-paid return label or pick-up service for customer convenience.

NOTE:

- Please keep the original packaging in case the product needs to be returned. If the original packaging is not available, the newly found packaging needs to meet the following size standard:
UPS/FedEx packaging size standard: (width+ height) * 2+ length< 128 inch.
- Please disassemble the product before you return it, otherwise there will be a huge cost as oversized and it could even exceed your order amount.
- Please do not purchase return label for a damaged/defective product by yourself.
- If you have any problem to return the product, please contact us immediately, we will do our best to help you with a reasonable solution.
- The customer is responsible for freight costs unless the chair is defective. Chairs returned due to being refused delivery by the customer or deemed undeliverable by freight carrier are subject to fees for a 20% restocking fee.

VII. MCOMBO CUSTOMER SUPPORT

If for any reason, we have fallen short of your expectations, or if you have any questions and suggests, please refer to the following contact information, we will do our best to work with you to make sure you are entirely satisfied.

| | |
|--|--|
|  | <p>sales@mcombo.com (Respond within 24 hours)</p> |
|  | <p>1-323-597-1109 8:00 a.m.--4:00 p.m. (Monday--Friday) TIME ZONE: PST</p> |
|  <div data-bbox="1691 1554 2077 1848"> <p>CA 2808 Vail Ave Commerce, CA, 90040 1-323-597-1109</p> </div> <div data-bbox="2077 1365 2463 1617"> <p>TN 3980 PREMIER AVE, MEMPHIS, TN, 38118</p> </div> <div data-bbox="2285 1050 2730 1302"> <p>DE 2411 Bear Corbitt Rd STE 1 New Castle, DE, 19720</p> </div> | |

