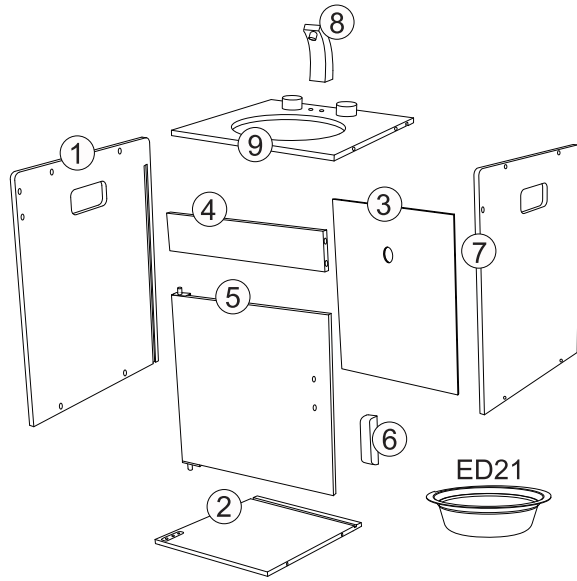


anko INSTRUCTION MANUAL

WOODEN SINK

3+
years

PARTS LIST

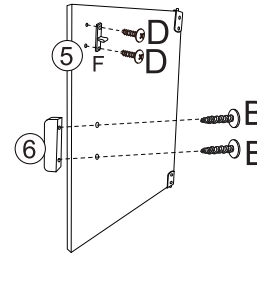


HARDWARE

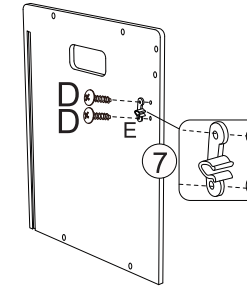
- A .Yellow large head screw X10
- B .Large head screw X2
- C .Large head screw X1
- D .Small head screw X4
- E. X1
- F. X1
- G. X3

Cross screwdriver (not included)

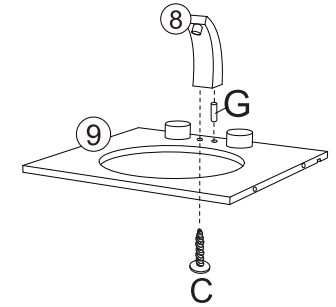
STEP 1



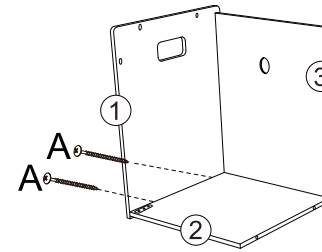
STEP 2



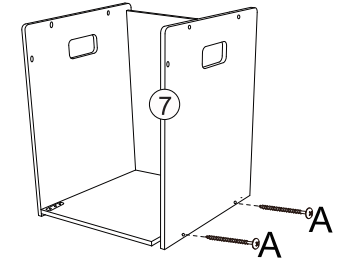
STEP 3



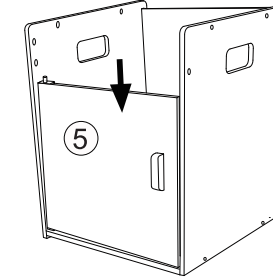
STEP 4



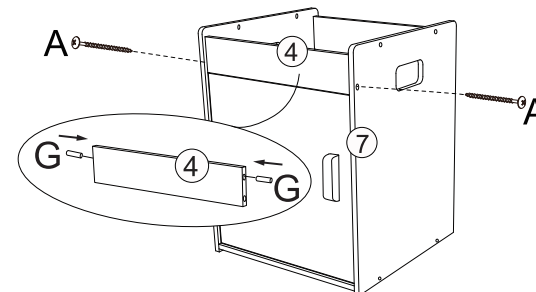
STEP 5



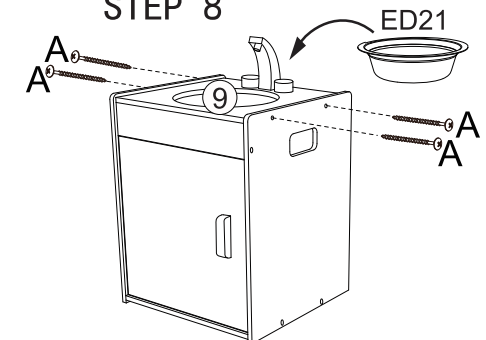
STEP 6



STEP 7



STEP 8



Assembly Instructions

- Check all components are present before assembling.
- The toy requires adult assembly.
- In unassembled state, product contains hardware with functional sharp points.
- Keep unassembled parts out of reach of small children.
- Cross screwdriver(not included) is required for assembly.
- Dispose of all packing materials carefully after assembly.

Maintenance

- Inspect the product before assembly and periodically during use.
- Never use this product if there is any loose or missing fasteners, points or broken parts.
- Regularly check that all fittings remain tight. Tighten if required.

WARNING

CHOKING HAZARD – SMALL PARTS,
NOT SUITABLE FOR CHILDREN UNDER 3 YEARS.
THIS IS A TOY, INTENDED FOR ROLE PLAY ONLY .

Keycode: 42934547
MADE IN CHINA
© KMART AUSTRALIA LIMITED

