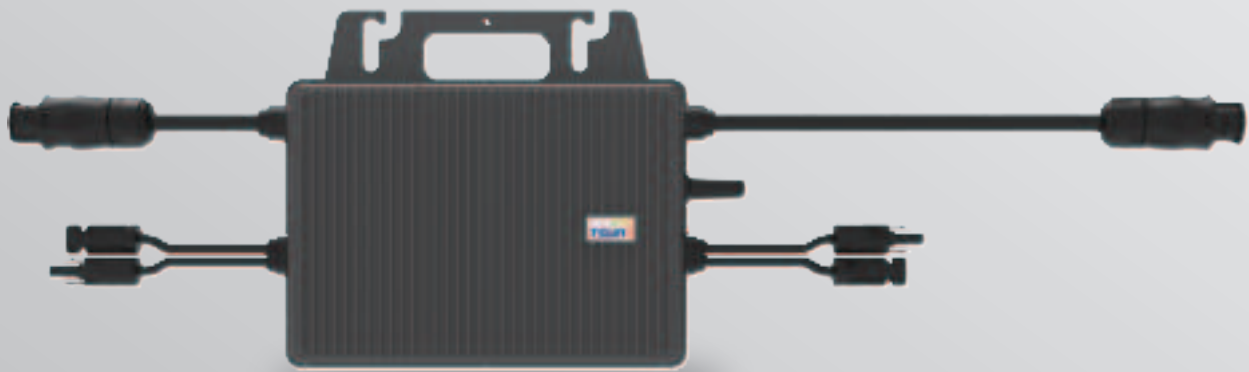


TSUN Micro Inverter



TSOL-M800/TSOL-M800(DE)



Maximized Efficiency

- Individual optimization, se-parate dedicated MPPT for each panel.
- New topology design, max. efficiency up to 96.7%.

Flexibility

- Plug & play installation. Easy to install.
- Multi-channel MPPT for complex installation environments with higher cost performance.

Safety

- Max. DC voltage 60V. No threat for high DC voltage.
- Integrated LoM protection function. Ensure the safety of power grid.

Reliability

- Die casting design and glue filling technology. Better thermal dissipation.
- Standard 12 years warranty, Quality guaranteed.

CE VDE 0126 VDE 4105 EN 50549 AS4777 CEI 0-21 INMETRO RD 1699 G 98



TSUNESS Co., Ltd

E-mail: sales@tsun-ess.com
Web: www.tsun-ess.com

Tel: +86-512-6618 6028

Add: Chuangye Road, Dayun Town, Jiashan County, Zhejiang Province, China

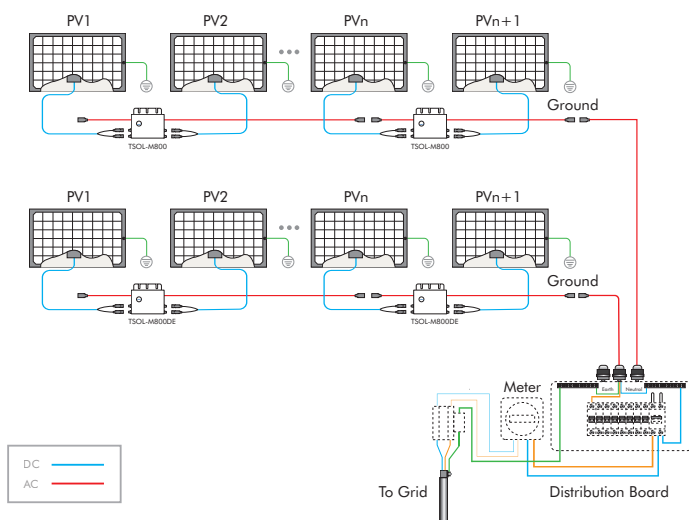


Technical Data

| Model | TSOL-M800 | TSOL-M800(DE) |
|--|-----------------------------|---------------|
| Input(DC) | | |
| Recommended Input Power [W] | 2*280-440 | |
| Start up Voltage [V] | 22 | |
| MPPT Voltage Range [V] | 16-60 | |
| Max. Input Voltage [V] | 60 | |
| Max. Input Current [A] | 12.5 | |
| Max. Input Short Circuit Current[A] | 15 | |
| Output [AC] | | |
| Max. Continuous Output Power [W] | 700 | 600 |
| Nominal Output Current [A] | 3.04 | 2.61 |
| Max. Output Current [A] | 3.19 | 3 |
| Nominal Output Voltage / Range [V] * | 230, L/N/PE , 207-253V | |
| Nominal Frequency / Range [Hz] * | 50, 45-55Hz | |
| Power Factor | 0.8 leading ... 0.8 lagging | |
| Output Current Harmonic Distortion | < 3% | |
| Max. Units Per Branch | 7 | |
| Efficiency | | |
| Peak Conversion Efficiency | 96.7% | |
| CEC Weighted Efficiency | 96.5% | |
| Nominal MPPT Efficiency | 99.9% | |
| EU Efficiency | 96.3% | |
| Night Time Power Consumption [mW] | < 50 | |
| Mechanical Data | | |
| Dimensions (WxHxD) [mm] | 250×170×28 | |
| Weight [kg] | 3 | |
| Type of Enclosure | IP67 | |
| Cooling | Natural Convection | |
| Environmental Data | | |
| Operating Ambient Temperature Range [°C] | -40 °C to 65°C | |
| Operating Internal Temperature Range [°C] | -40 °C to 85°C | |
| Relative Humidity | 0-100% condensing | |
| Max. Operating Altitude Without Derating [M] | 2000 | |
| Monitor | Integrated WiFi (Optional) | |

※ The AC voltage and frequency range may vary depending on specific country grid.

Diagram



Ordering Information

| Ordering NO. | Model | Description |
|--------------|---------------|----------------------------|
| 06.02.01.006 | TSOL-M800 | Microinverter, output 700W |
| 06.02.01.007 | TSOL-M800(DE) | Microinverter, output 600W |
| 04.02.02.001 | TSOL-MT-F | AC connector, female |
| 04.02.02.002 | TSOL-MP-F | Protect cap, female |
| 04.02.02.003 | TSOL-MT-T | AC connector, male |
| 04.02.02.004 | TSOL-MP-T | Protect cap, male |
| 04.02.02.005 | TSOL-MC200-G2 | Interconnection cable, 2m |

For more information, visit/contact us at www.tsun-ess.com

©2022 TSUNESS. All rights reserved. All specifications are subject to change without prior notice.