



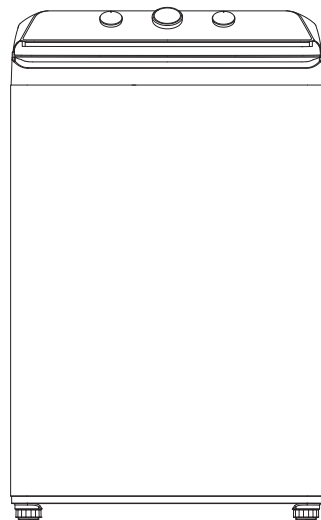
Top-Load Washer

Power supply: 120V-
Frequency: 60Hz
Capacity: 4.7cu.ft.

Warning:
Before using this product,
please read this manual carefully
and keep it for future reference.
The design and specifications
are subject to change without
prior notice for product
improvement. Consult with
your dealer or manufacturer for
details.

version A

USER MANUAL & INSTALLATION INSTRUCTIONS



**Free 3 months
extension*** of the
original limited warranty
period! Simply text a
picture of your proof of
purchase to:

1-844-224-1614

*The warranty extension is for the
three months immediately following
the completion of the products
original warranty period.

MODEL NUMBERS
MLTW47A5BWW
MLTW47A5BGG
www.midea/ca

Dear user

THANK YOU for letting Midea help you “make yourself at home.” This manual is part of our commitment to your total satisfaction. Please read this manual carefully before use and keep it in a convenient place for future reference.

To help us serve you better, please consider registering your product using our convenient Midea app Msmartlife, by visiting **register@registrationplace.com** or by texting a picture of your proof of purchase to 1-844-224-1614.

By using the text option you will earn an additional 3 month warranty extension immediately following the completion of the following the completion of the product's original warranty.

SAFETY INSTRUCTIONS.....	4
FEATURES	11
Package contents.....	11
Main components.....	12
OPERATION REQUIREMENTS.....	13
Electrical requirements	13
Water requirements.....	14
Drainage requirements.....	14
INSTALLATION INSTRUCTIONS	15
Unpacking your washer	15
Choosing a location.....	16
Tools you will need	18
Connect the water hoses	19
Connect the drain hose.....	21
Level your washer	23
Power on.....	24
Run a test cycle.....	25
WASHER USE	26
Control panel.....	26
Washing a load of laundry	27
Selecting a detergent	27
Loading the fabric softener compartment.....	30

WASHER CARE	32
Cleaning and Maintenance	32
BEFORE YOU CALL FOR SERVICE	34
Troubleshooting tips	34
Error codes	37
WARRANTY	38

READ AND KEEP THESE INSTRUCTIONS FOR FUTURE REFERENCE

This manual contains important information on the installation, use, and care of your appliance. Please read this manual carefully before installation and operation of this machine to prevent injury and property damage.

Warnings and Important Safety Instructions in this manual DO NOT cover all possible conditions and situations that may occur. It is your responsibility to use common sense, caution and care when installing, maintaining and operating your washer.



**CAUTION
RISK OF ELECTRIC SHOCK
DO NOT OPEN**



SAFETY INSTRUCTIONS

YOUR SAFETY AND THE SAFETY OF OTHERS ARE VERY IMPORTANT

To prevent injury to the user or other people and property damage, the instructions shown here must be followed. Incorrect operation due to ignoring of instructions may cause harm or damage, including death.

The level of risk is shown by the following indications.



This indicates that hazards or unsafe practices may cause serious personal injury or death. To reduce the risk of fire, explosion, electric shock or personal injury when using your washing machine, you SHOULD follow these basic safety precautions.



This indicates that hazards or unsafe practices may cause minor personal injury or property damage.



This symbol indicates that there are important operating and maintenance instructions in the literature accompanying your washing machine.

WARNING

State of California Proposition 65 Warnings.

The California Safe Drinking Water and Toxic Enforcement Act requires the Governor of California to publish a list of substances known to the State of California to cause cancer, birth defects or other reproductive harm and requires businesses to warn of potential exposure to such substances. This product contains a chemical known to the State of California to cause cancer, birth defects or other reproductive harm. This appliance can cause low-level exposure to some of the substances listed, including benzene, formaldehyde and carbon monoxide. Cancer and Reproductive Harm - www.P65Warnings.ca.gov.

WARNING

Do not store or use gasoline or other flammable vapors and liquids in the vicinity of this or any other appliance.

IMPORTANT SAFETY INSTRUCTIONS

Save These INSTRUCTIONS

WARNING

- Read all instructions before using the appliance.
- Use this appliance only for its intended purpose as described in this Owner's Manual.
- Before use, the washer must be properly installed as described in this manual.
- ALWAYS follow the fabric care instructions supplied by the garment manufacturer.
- Do not wash articles that have been previously cleaned in, washed in, soaked in, or spotted with gasoline, dry-cleaning solvents, other flammable or explosive substances as they give off vapors that could ignite or explode.
- Do not allow children to play on or in the appliance. Close supervision of children is necessary when the appliance is used near children.
- Before the appliance is removed from service or discarded, remove the lid of the washing compartment.
- Do not reach into the appliance if the tub is moving.
- Do not install or store this appliance where it will be exposed to the weather or freezing temperatures.
- Do not tamper with the controls.
- Do not repair or replace any part of the appliance or attempt any servicing unless it is specifically recommended in the user maintenance instructions or in published user repair instructions that you understand.
- Hydrogen gas is explosive. If the hot water system has not been used for two weeks or more, before using a washer, turn on all hot water faucets and let the water flow from each for several minutes. This will release any accumulated hydrogen gas. The gas is flammable, so do not smoke or use an open flame during this time.
- Keep the area underneath and around your appliance free of combustible materials (lint, paper, rags and so on), gasoline chemicals, and other flammable vapors and liquids.
- Do not place items exposed to cooking oil in your washer. Items contaminated with cooking oil may contribute to a chemical reaction that could cause a load to catch fire.
- This washer is not designed for maritime use or for mobile installations such as in RVs aircraft and other mobile platforms.
- Turn off the water faucets and unplug the washer if the machine is to be left for an extended period of time, such as during vacations.
- Packaging material can be dangerous for children. There is a risk of suffocation! Keep all packaging away from children.
- Always check the inside of the washer for foreign objects before loading laundry. Keep the lid closed when not in use.

WARNING

- Plug the power cord into an AC 120V/60Hz wall socket rated at 15 amps or higher. Use the socket for this washer only. Do not use an extension cord.
 - Sharing a wall socket with another appliance, using a power strip, or extending the power cord may result in electric shock or fire.
 - Do not use an electric transformer. It may result in electric shock or fire.
 - Make sure that the power voltage, frequency and current match the product's specifications. Failing to do so may result in electric shock or fire.
- Remove all foreign substances such as dust or water from the power plug terminals and contact points using a dry cloth on a regular basis.
 - Unplug the power plug and clean it with a dry cloth.
 - Failing to do so may result in electric shock or fire.
- Plug the power plug into the wall socket in the right direction so that the cord runs towards the floor.
 - If you plug the power plug into the socket in the opposite direction, the electric wires within the cable may be damaged and this may result in electric shock or fire.
- Plug the power plug into the wall socket firmly. Do not use a damaged power plug or loose wall socket, because this may result in electric shock fire.
- Do not pull or excessively bend the power cord. Do not twist or tie the power cord.
- Do not hook the power cord over a metal object. Place a heavy object on the power cord, insert power cord between objects, or push the power cord into the space behind the appliance, because this may result in electric shock or fire.
- Do not pull the power cord when unplugging the power plug.
 - Unplug the power plug by holding the plug.
 - Failing to do so may result in electric shock or fire.
- If the power plug or power cord is damaged, contact your nearest service center.
- Do not install on carpet. Install the washer on a level and solid floor that can support its weight. Failure to do so may result in abnormal vibration, noise or problems with the product.
- The washer is heavy. Two or more people may be needed to install and move the appliance. Failure to do so may result in bodily or other injuries.
- Store and install the washer where it will not be exposed to temperatures below freezing or exposed to outdoor weather conditions. Failure to do so may result in serious leak damage.
- Position the appliance so that the power plug is easily accessible. Failure to do so may result in electric shock or fire due to an electrical short circuit.
- Failure to follow all of the safety warnings in this guide may result in property damage or injury to persons.
- Do not add gasoline, dry-cleaning solvents, or other flammable or explosive substances to the wash water. These substances give off vapours that ignite or explode.



WARNING

Use and Maintenance warnings and Precaution

- If the appliance is flooded, cut the power immediately and contact your nearest service center.
- If the appliance emits a strange noise, a burning smell or smoke, unplug the power plug immediately and contact your nearest service center. Failure to do so may result in electric shock or fire.
- In the event of a gas leak (such as propane or LP gas) ventilate the area immediately. Do not turn any appliance or light on or off.
 - Do not use a ventilating fan.
 - A spark may result in an explosion or fire.
- Do not force the washer lid open while the washer is operating (hightemperature washing, drying or spinning).
 - Water flowing out of the washer may cause burns or cause the floor to be slippery. This may result in injury.
 - Forcing the lid open can damage the product or cause injury.
- Make sure to remove the packaging (sponge, styrofoam) attached to the bottom of the washer before using it.
- Do not insert your hand or a metal object under the washer. This may result in injury.
- Do not attempt to operate this appliance if it is damaged, malfunctioning, partially disassembled or has missing or broken parts, including a damaged cord or plug. This may result in electric shock, fire or death.
- Do not touch the power plug with wet hands. This may result in electric shock.
- Do not turn the appliance off by unplugging the power plug while the washer is in operation. Plugging the power plug into the wall socket again may cause a spark and result in electric shock or fire.
- Keep all packaging material well out of the reach of children, as packaging materials can be dangerous to children. If a child places a bag over his or her head, he or she may suffocate.
- Do not let children or infirm persons use this washer unsupervised. Failure to do so may result in electric shock, burns or injury.
- Do not attempt to repair, disassemble or modify the appliance yourself.
 - Do not use any fuse (such as copper, steel wire etc.) other than the standard fuse.
 - If you need to repair or reinstall the appliance, contact your nearest service center.
 - Failure to do so may result in electric shock, fire, problems with the product or injury.
- If any foreign substance such as water enters the appliance in any area other than the tub, unplug the power plug and contact your nearest service center. Failure to do so may result in electric shock or fire.
- If the water supply hose comes loose from the faucet and floods the appliance, unplug the power plug. Failure to do so may result in electric shock or fire.

- Do not mix chlorine bleach with ammonia or acids such as vinegar. Incorrect usage can produce poisonous gas, resulting in serious injury.
- Do not reach into the washer while parts are moving. Before loading, unloading or adding items, press the Start/Pause button and allow the tub to come to a complete stop before reaching inside. Failure to do so may result in electric shock injury or fire.
- Do not allow children to play on or in the washer. Close supervision of children is necessary when the washer is used near children. As children grow, teach them the proper, safe use of all appliances. Failure to do so may result in serious injury.
- Keep laundry products out of reach of children. Observe all warnings on product labels and follow them. Failure to do so may result in serious injury.
- Disconnect this appliance from the power supply before attempting any user maintenance. Pressing the Power button does not disconnect this appliance from the power supply. Failure to do so may result in electric shock, injury or fire.
- Do not clean the appliance by spraying water directly onto it.
- Do not use benzene, thinner or alcohol to clean the appliance. This may result in discoloration, deformation, damage, electric shock or fire.
- Unplug the power plug when the appliance is not being used for long periods of time or during a thunder/lightning storm. Failure to do so may result in electric shock or fire.
- Keep hands and foreign objects clear of the lid and latch area when closing the lid. Failure to do so may result in personal injury.
- If the washer is contaminated by a foreign substance such as detergent, dirt, or food waste, unplug the power plug and clean the washer with a damp, soft cloth. Failure to do so may result in discoloration, deformation, damage or rust.
- The clear portion of the lid can be broken by a strong impact. Take care when using the washer. If the clear portion is cracked or broken, it may result in injury.
- After a water supply failure or when reconnecting the water supply hose, open the faucet slowly.
- Open the faucet slowly after a long period of non-use. The air pressure in the water supply hose or the water pipe may result in damage to a part or in water leakage.
- If a drain error occurs during an operation, check if there is a draining problem. If the washer is used when it is flooded because of a draining problem, it may result in electric shock or fire due to an electrical short circuit. Do not insert your hand or a metal object under the washer. This may result in injury.
- Insert laundry into the washer completely so that the laundry does not get caught in the lid. If laundry gets caught in the lid, it may result in damage to the laundry or the washer, or result in water leakage.
- Make sure that the faucet is turned off when the washer is not being used.
- Make sure that the water supply hose connectors are properly tightened. Failure to do so may result in property damage or injury.
- Open the faucet and check if the water supply hose connector is firmly tightened and that there is no water leaking before using the product. If the water supply hose connectors are loose, it may result in water leakage.

- Do not stand on top of the appliance or place objects (such as laundry, lighted candles, lighted cigarettes, dishes, chemicals, metal objects, etc.) on the appliance. This may result in electric shock, fire, problems with the product, or injury.
- Do not operate the appliance with wet hands. This may result in electric shock.
- Do not spray volatile material such as insecticide onto the surface of the appliance. As well as being harmful to humans, it may also result in electric shock, fire or problems with the product.
- Do not place an object that generates an electromagnetic field near the washer. This may result in injury due to a malfunction.
- Since the water drained during a high temperature wash or drying cycle is hot, do not touch the water. This may result in burns or injury.
- Do not wash, spin or dry water-proof seats, mats or clothing.
- Do not wash thick, hard mats even if the washer mark is on the care label. This may result in injury or damage to the washer, walls, floor or clothing due to abnormal vibrations.
- Do not operate the washer when the detergent dispenser is removed. This may result in electric shock or injury due to water leakage.
- Do not insert your hand into the detergent dispenser after opening it. This may result in injury because your hand may be caught.
- Do not place any non-laundry objects, such as shoes, food waste or animals into the washer. This can cause abnormal vibrations that can damage the washer, and in the case of pets, cause severe injury or death.
- Do not press the buttons using sharp objects such as pins, knives, or fingernails. This may result in electric shock or injury.
- Do not wash laundry contaminated by oils, creams or lotions usually found in skin-care shops or massage clinics. This may result in the rubber seal becoming deformed and water leakage.
- Make sure that the water inlet pipe is connected and the tap is opened before washing clothes.
- Do not leave metal objects (safety pins, hair pins, and so on) or bleach in the tub for long periods of time. This may cause the tub to rust.
 - If rust appears on the surface of the tub, apply a neutral cleansing agent to the surface and use a sponge to clean it. Never use a metal brush.
- Do not use hot water from water cooling/heating devices. This may result in problems with the washer.
- Do not use natural hand-washing soap in the washer. If it hardens and accumulates inside the washer, it may cause problems with the product, discoloration, rust or bad odors.
- If using a washing net with this machine (not provided), do not wash laundry items such as bedding in the washing net. Doing so may result in injury due to abnormal vibrations. Place only smaller items such as lace socks and lingerie in the washing net.
- Do not use hardened powdered detergent. If it accumulates inside the washer, it may result in water leakage.
- Do not wash throw rugs or doormats. Doing so may cause sand to accumulate inside the washer, resulting in mechanical problems.

WARNING

Grounding/Earthing

- This appliance must be properly grounded.
- Do not ground the appliance to a gas pipe, plastic water pipe or telephone line.
 - Improper grounding may result in electric shock, fire, explosion or problems with the product.
 - Never plug the power cord into a socket that is not grounded correctly. Make sure that the socket you use is grounded in correctly. Make sure that the socket you use is grounded in accordance with local and national codes.

WARNING

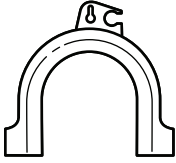
Grounding/Earthing

- Do not install this appliance near a heater or inflammable material.
- Do not install this appliance in a humid, oily or dusty location, or in a location exposed to direct sunlight or water (rain drops).
- Do not install this appliance in a location where gas may leak. Failure to do so may result in electric shock or fire.
- If the washer is moved to a new location, have it checked and reinstalled by a qualified service technician. Failure to follow this warning may result in electric shock or fire.
- Do not pull power cord or drain outlet hose to move appliance to desired location place.

FEATURES

Package Contents

Make sure that the following items came with your washer



Drain Hose Guide (x1)



Manual



Tie (x1)



Filter (x2)

NOTE:

- Use the filters to replace the rubber washers in the water hoses (faucet sides).

Main Components

Safety
Instructions

Features

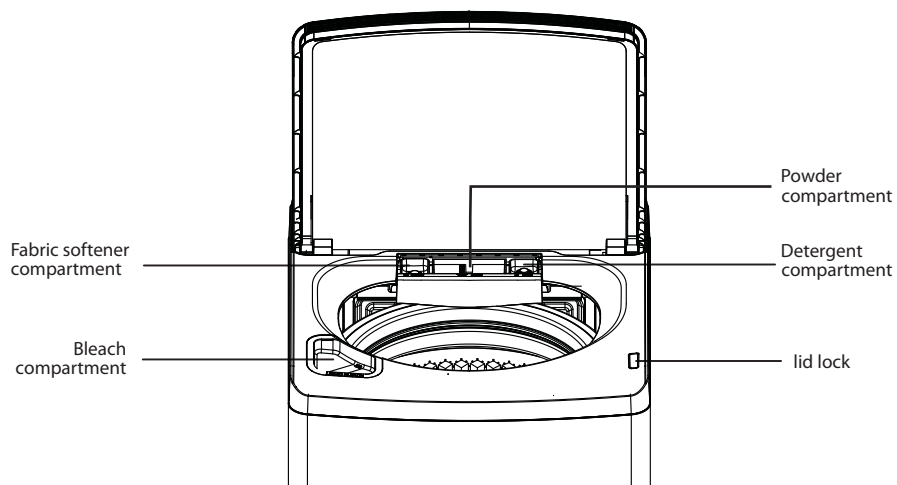
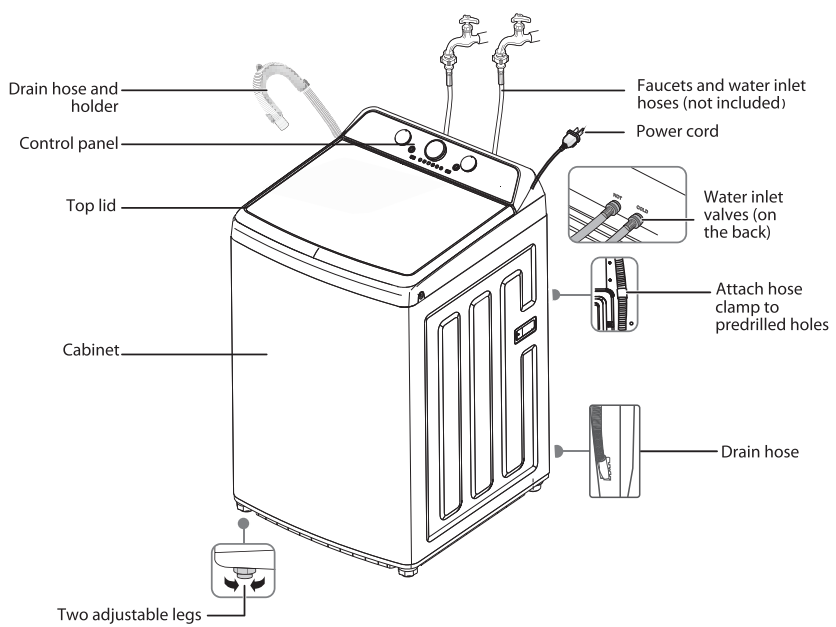
Operation
Requirements

Installation
Instructions

Washer Use

Washer Care

Troubleshooting



OPERATION REQUIREMENTS

Electrical requirements

WARNING

- To reduce the risk of fire, electric shock, or injury to persons, read the IMPORTANT SAFETY INSTRUCTIONS before operating this appliance.
- Fail to closely follow these instructions may result in an abnormal vibrating and out-of-balance condition that could result in physical injury, damage, and/or appliance damage.

Use a 120 Volt, 60Hz, 15 amp fuse or circuit breaker. We recommend an individual branch circuit that serves only your washer.

WARNING

Never use an extension cord.

Electrical grounding is required for your washer.

You must ground your washer in the event of a malfunction or breakdown, grounding reduces the risk of electric shock by providing a path of least resistance for the electric current.

Your washer is equipped with a power cord with a three-pronged grounding plug for use in a correctly installed and grounded outlet.

The outlet must be correctly installed and grounded in accordance with all local codes and ordinances.

WARNING

- You are responsible for providing adequate electrical services for your washer.
- An incorrectly connected equipment-grounding conductor can increase the risk of electrical shock. Check with a qualified electrician or serviceman if you are not sure whether your washer is grounded correctly.
- Do not modify the power cord plug that came with your washer. If the plug does not fit the outlet, have the correct type outlet installed by a qualified electrician.
- To prevent unnecessary risk of fire, electrical shock or personal injury, all wiring and grounding must be done in accordance with the National Electrical Code ANSI/FNPA, No.70 Latest Revision and local codes and ordinances.
- Never connect the ground wire to plastic plumbing lines, gas lines or hot water pipes.

Water requirements

To fill your washer in the correct amount of time, the water pressure needs to be between 14 and 116 psi (100 to 800 kPa).

If the water pressure is less than 14 psi (100 kPa):

- The water valve may fail or may not shut off completely.
- The time it takes to fill your washer may be longer than the time your washer controls allow. Your washer will turn off and report an error. A time-limit is built into the controls to prevent flooding in your home if a hose becomes loose.
- Water inlet hoses must be purchased separately. You can buy inlet hoses in various lengths up to 8 ft. (240 cm).

To avoid the possibility of water damage:

- Make sure that the water faucets are easily accessible.
- Turn off the faucets when you are not using your washer.
- Periodically check to make sure that water is not leaking from the water hose fittings.

Drainage requirements

The recommended height for the drain standpipe is 48 in. (122 cm).

The drain hose must be routed through the drain hose clip to the standpipe.

The standpipe must be large enough to accept the outside diameter of the drain hose.

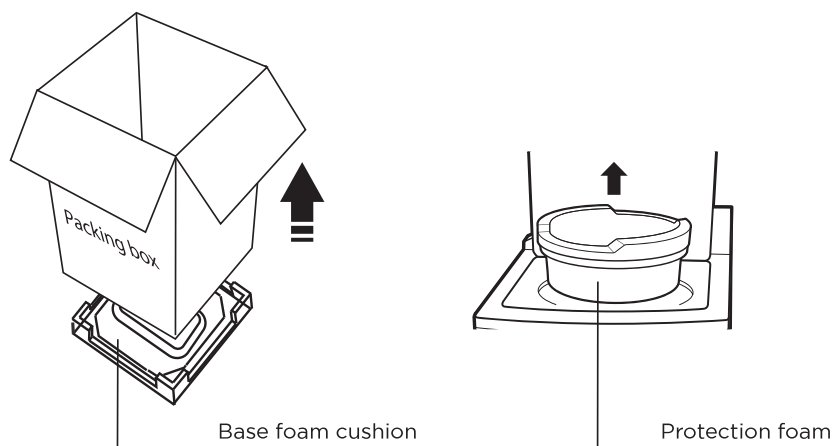
INSTALLATION INSTRUCTIONS

Unpacking your washer

WARNING

- Packing materials can be dangerous to children. Keep all packing materials (plastic bags, polystyrene, and so on) well out of the reach of children.
- Do not operate your washer on the foam base cushion. Doing so will result in serious vibration, which could cause equipment damage or result in physical injury.

Remove the packing box and lift the washer up and away from the foam base cushion. Open the lid of the washer to take out all accessories including the protective foam.



Choosing a location

WARNING

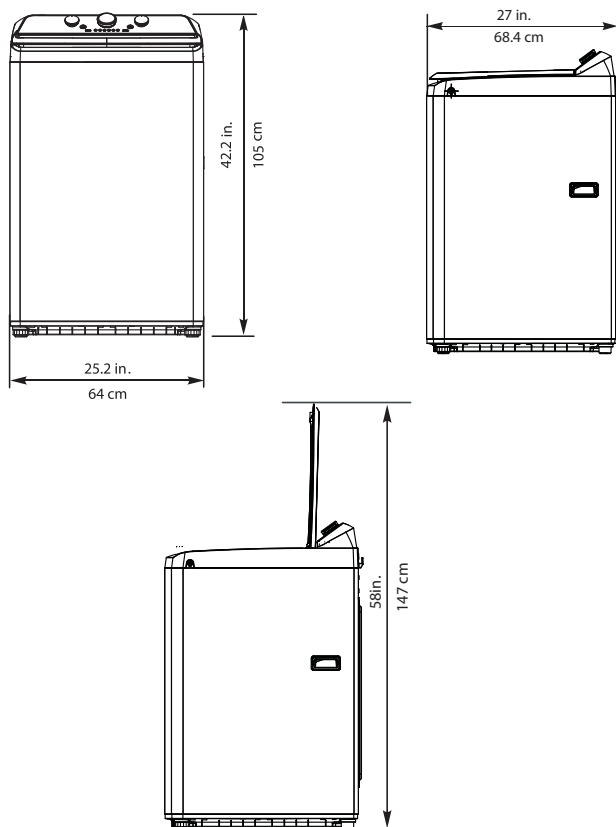
- Do not install your washer in areas where water may freeze, because your washer always retains some water in its water valve, pump and hose areas. Frozen water can damage the valve, pump, hoses and other components.
- Never install on a platform or weakly supported structure.

For best performance, you must install your washer on a solid, level floor.

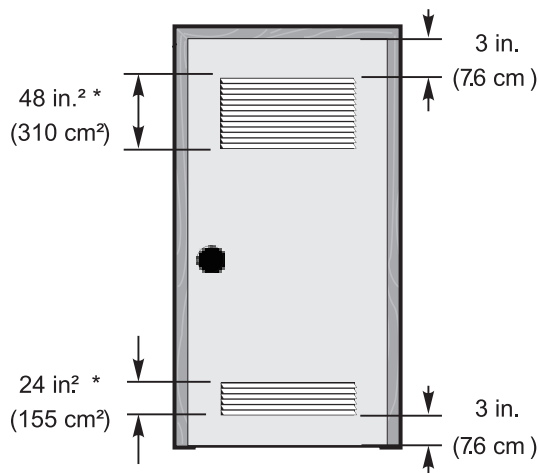
Wooden floors may need to be reinforced to minimize vibration or unbalanced load situations.

Carpeting and soft tile surfaces can contribute to excessive vibration, which can cause your washer to move slightly during the spin cycle.

Washer dimensions and installation measurements



If you install your washer in an alcove or closet, the front of the closet must have two unobstructed air openings for a combined minimum total area of 72 sq.in. (465 sq.cm) with a minimum clearance of 3 in. (7.6 mm) at the top and bottom. A slatted door with equivalent space clearance is acceptable.

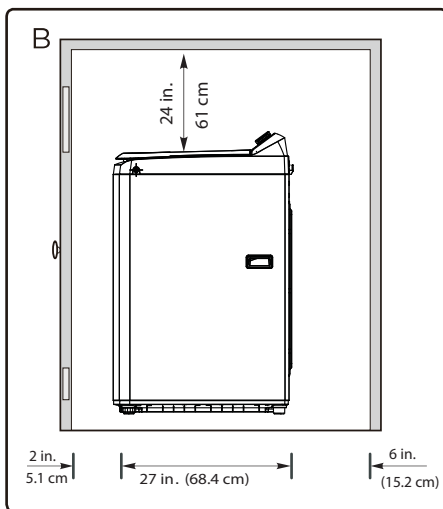
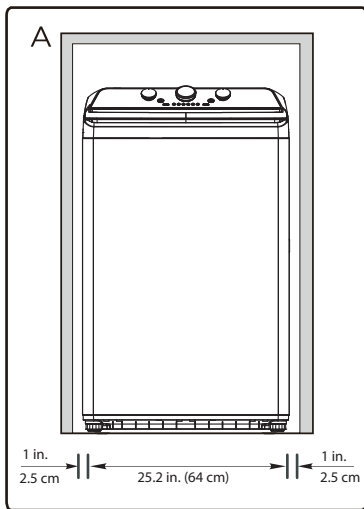


Installing in an alcove or closet

Minimum clearances between your washer and adjacent walls or other surfaces are:

- **Either side:** 1 in. (2.5 cm)
- **Rear:** 6 in. (15.2 cm)
- **Closet Front:** 2 in. (5.1 cm)
- **Top:** 24 in. (61 cm)
- **Gap between the end of water valve and the wall:** 6 in. (15.2 cm)

If you install your washer and dryer side-by-side in a closet, the closet front must have an unobstructed air opening of at least 72 square inches (465 square cm).



A. Recessed area

B. Side view - closet or confined area

WARNING

- Is a hard, level surface without carpeting or soft flooring that can obstruct ventilation.
- Is away from direct sunlight.
- Has adequate ventilation.
- Is not exposed to freezing temperatures (32 F or 0 C).
- Is away from heat sources such as oil or gas.
- Has enough space so that the washer does not rest on its power cord.

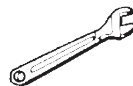
Tools you will need



Pliers



Level



Adjustable wrench that opens to 1" (25 mm)

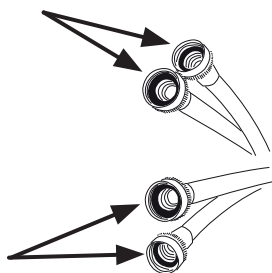
Connecting the water hoses

NOTE: The water supply hoses are not supplied with your washer and must be purchased separately.

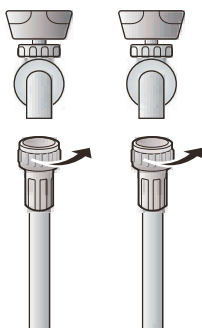
Caution

- Use new water supply hoses. Using old hoses can result in leakage or overflow that can damage your property.
- Do not connect multiple water supply hoses together to increase the length of the hose. Hoses connected this way can leak and cause electrical shock. If a hose is too short, replace the hose with a longer, high-pressure hose.

1. Make sure that there are rubber washers inside the fittings at both ends of each new water hose. Remove the rubber washers in faucet side and replace with filters. Installing the water supply hoses without rubber washers can cause water leakage.



2. Tighten the hose and faucet fittings by hand until they are snug, then tighten them an additional two-thirds of a turn with pliers or a wrench. Pull the water supply hoses downwards to make sure that they are connected securely.



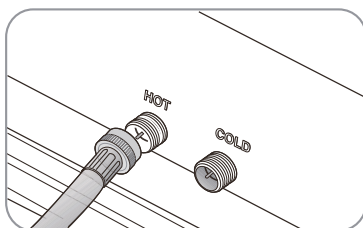
Caution

Do not overtighten the fittings or apply tape or sealant to the faucets or water supply intake. This can damage the fittings.

3. Place the unconnected ends of the hoses into a bucket and turn on the faucets connected to the water supply hoses for 10 or 15 seconds to remove any foreign substances. Turn off the faucets.



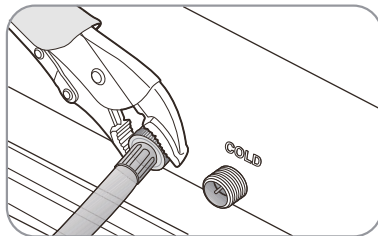
4. Connect the ends of the water supply hoses to the water supply intake connections at the top of the washer. Make sure that the rubber washers are in place. The water supply hose connected to the hot faucet must be connected to the hot water supply intake and the water hose connected to the cold faucet must be connected to the cold water supply intake.



NOTE: If you do not want to use the hot water supply hose, insert a water intake cap into the hot water supply intake hole. In this case you must select the Tap Cold option for the water temperature.

NOTE: No intake cap is provided with your washer. It must be purchased separately.

5. Tighten the fittings by hand until they are snug, and then tighten them an additional two-thirds of a turn with a pliers.



Caution

- Do not overtighten the fittings or apply tape or sealant to the faucets or water supply intakes. This can damage the fittings.
- Make sure that the water supply hoses are not twisted or bent. A bent or twisted hose can leak and cause an electric shock due to the water leakage. To ensure the correct water usage, connect both hot and cold water faucets. If either or both are not connected, an error code could occur.

6. Turn on the hot and cold water supplies and check all the water supply intake connections and the faucets for water leaks.

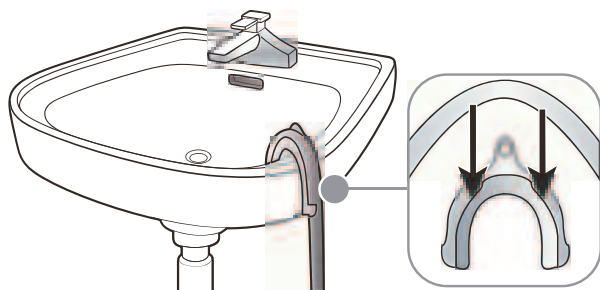
Connect the drain hose

1. Put the Drain Hose out of the Clamp.
2. Position the other end of the drain hose.
It can be positioned in three ways.

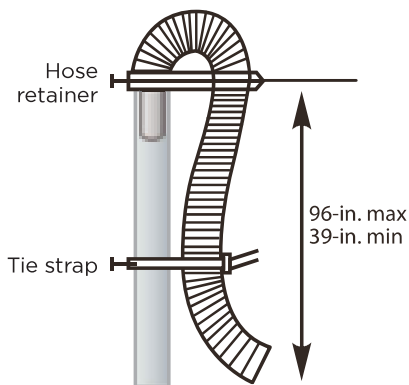
Caution

Make sure that the connection between the drain hose and the wash basin, standpipe or laundry tub is not airtight.

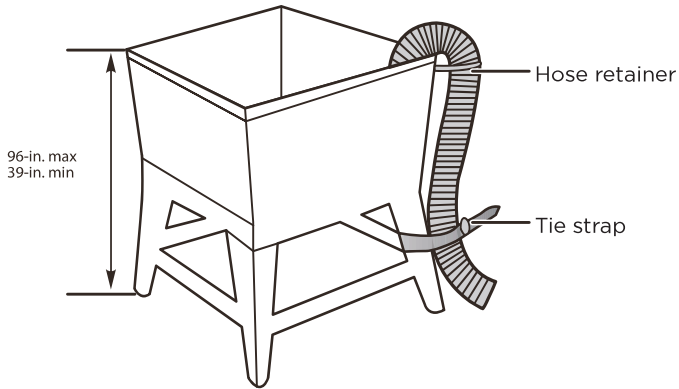
- **Over the edge of wash basin** - Secure the guide to the side of the basin wall with a hook, tape it or tie it with a piece of cord to prevent the drain hose from moving.



- **In a standpipe** - The standpipe must be no shorter than 39 in. (99 cm) and no longer than 96 in. (244 cm).



- **In a laundry tub** - The laundry tub must be no shorter than 39-in. (99 cm) and no higher than 96-in. (244 cm) maximum.



Level your washer

Caution

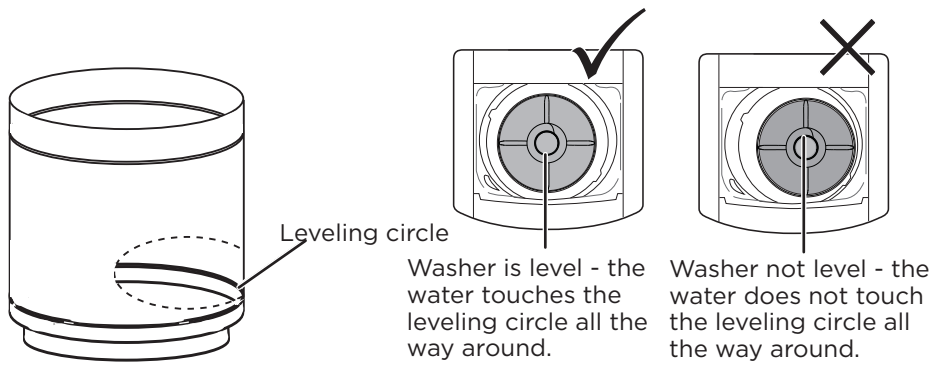
Do not use your washing machine without leveling. If your washer is not level, it may:

- Vibrate excessively which can cause your washer to malfunction.
- Make excessive noise.
- Indicate error codes when the washer is running.

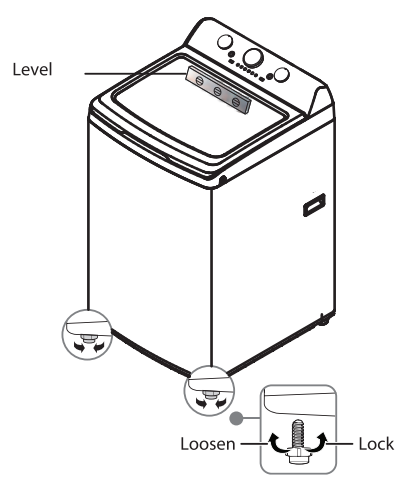
Extend the leveling feet only as much as is necessary. If the feet are extended too much, your washer may vibrate.

Determine if the washer is level by checking the position of the tub or by using a level.

1. Slide the washer into position.
2. Open the lid of the washer, then pour water into the tub to the leveling circle. If the washer is level, the water will touch the leveling circle all the way around. If the washer is not level, the water will only touch part of the leveling circle.



3. If your washer is not level, carefully tilt your washer just enough to adjust the leveling feet on the bottom front of your washer. Extend the feet only as much as is necessary. If the feet are extended too much, your washer may vibrate.



Power on

Plug the power cord into a well-grounded, 3-prong, 120 Volt 60 Hz approved electrical outlet, protected by a 15-amp fuse or comparable circuit breaker. Your washer is grounded through the third prong of the power cord.

Run a test cycle

Run a test cycle to make sure that your washer is properly installed.

1. Load about 6 pounds (2.7 kg) of laundry into the tub.
2. Select the **Cycles** knob to turn on your washer.
3. Press the **Start Pause** button to start the test cycle. Your washer should not rock or vibrate excessively when water fills the tub or when washing or spinning. The washer should drain well during the spin cycle.

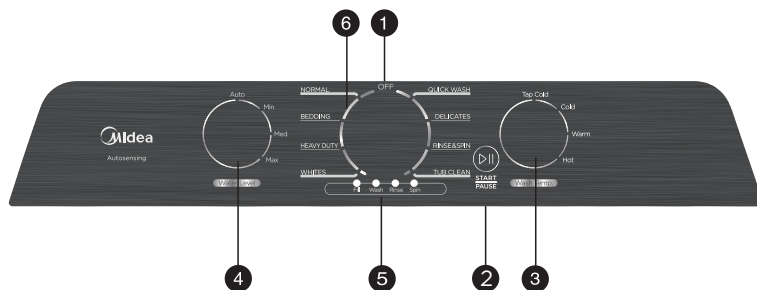


Caution

- If you detect any water leaks while the washer is filling or draining, check the water connections. See **Connect the water hoses** on page 19 or **Connect the drain hose** on page 21.
- If the washer rocks and/or vibrates excessively, level it again. See **Level your washer** on page 23.
- The electrical valve, retractor, motor and drain pump of this appliance are intentionally not grounded and may present a risk of electric shock during serving. Do not contact these electronic devices while the appliance is energized.

WASHER USE

Control panel



1 Off Button

Turn to select Off to turn off your washer.

2 ▶||/Start Pause Button

Press once to start the wash cycle. Press again to pause the cycle. If you pause the cycle, you can add or remove items, but you cannot change any settings. Press again to restart the cycle.

3 Wash Temp. Select

Turn to select the washing water temperature. The rinse water temperature is always cold.

4 Water Level Selector

Turn to select the water level selector, increase one water level.

5 Cycle status lights

Flash to indicate what part of the cycle your washer is in. For example, the Soak Flash turns on when your washer is in the Soak process.

6 Cycle Selector

Turn to select a wash cycle. The cycle you select determines the wash pattern for the cycle. For more information, see Washer options and setting on page 25.

Washing a load of laundry

WARNING

To reduce the risk of fire, electric shock, or injury to persons, read the **SAFETY INSTRUCTIONS** before operating this appliance.

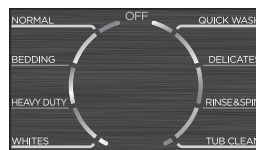
Selecting a detergent

Your washer is designed to use high efficiency (HE) detergents.

- For the best cleaning results, use an HE detergent. We recommend that you do not use a regular detergent. HE detergents contain suppressors that reduce or eliminate suds. When fewer suds are produced, the load tumbles more efficiently and cleaning is maximized.
- Reducing the amount of detergent may reduce the quality of cleaning. Make sure that you:
 - Pre-treat stains.
 - Sort carefully by color and soil level.
 - Avoid overloading.

1. Turn on your washer

- Your washer will run with cycle selections you choose.
- The lights will display different combinations according to the different cycles you choose.



2. Load your washer

Caution

Before loading your laundry, make sure that you remove coins, keys, and other hard objects and close zippers. These items may damage clothes and the washer.

- Sort laundry by fabric type, soil level, color, and load size.
- The wash drum may be fully loaded with loosely added items.

NOTE:

- Overloading may reduce washing efficiency, cause excess wear, and possibly cause creasing or wrinkling of the load.
- Wash delicate items such as bras, hosiery and other lingerie on the **Delicates** cycle with similar lightweight items.

Loading Examples

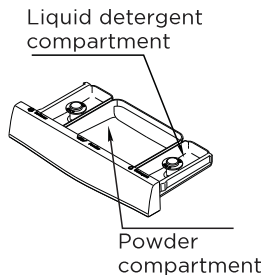
WORKWEAR	LINENS	MIXED LOAD	DELICATES	QUICK WASH (less than 6 lb)
5 Jeans 5 worker Wear Shirts 3 Woork Wear Pants	2 Bath Sheet 8 Bath Towels 10 Washcloths 6Hand Towels 2 Terrycloth Bath Mat OR 2 Flat Queen-Sized Sheet 2 Fitted Queen-Sized Sheet 4 Pillowcases	3 Pillowcases 3Hand Towel 1Flat Sheet/ 1Fitted Sheet 4Bath Towels/ 4 Washcloths OR 6 Shirts (Men's or Women's) 4Pair Pants (Khakis or Twills) 4 T-shirts 4Pairs of Boxers 3 Pairs of Shorts OR 6 T-shirts 3 Pairs of Shorts 3 Sweatshirts 2 Hoodie 8 Pairs of Socks	6 Bras 6 panties 3 Slips 2Camisole 5 Nightgowns	4 Casual Wear Work Shirts 2 pair Casual Wear Work Pants OR 6 Soccer Uniforms

NOTE:

- Overloading may reduce washing efficiency, cause excess wear, and possibly cause creasing or wrinkling of the load.
- Wash delicate items such as bras, hosiery and other lingerie on the **Delicates** cycle with similar lightweight items.

- When washing big, bulky items (such as rugs or pillows) or a few smaller items (such as stuffed toys or one or two sweaters) that do not fill the tub completely, add a few towels to improve spin performance.
- Always use the **Bulky** cycle for bulky items.
- When washing heavily soiled loads, do not overload your washer to ensure good cleaning results.

3. Add detergent and additives to the compartment



Loading the liquid or powder detergent compartment

- Loading liquid or powder detergent in the compartment indicated.
- Pour the recommended amount of laundry detergent directly into the compartment before starting your washer.
- If you are using color-safe bleach, add it with the detergent to the detergent compartment.

NOTE:

- When adding color-safe bleach with detergent, both laundry products should be in the same form (liquid).
- If no detergent compartment, you should add the detergent into the tub.

Loading PODs in the washer

- First load PODs directly the bottom of an empty basket
- Then add clothes on top of the PODs

NOTE:

- Loading PODs at the bottom of the basket will improve wash performance and will enable detergent to dissolve more easily in the wash.

Bleach compartment



Loading the bleach compartment (liquid bleach only)

- Add chlorine bleach to the bleach compartment. Do not over-fill the compartment.
- There is no water inlet to the bleach dispenser, so the bleach will directly load into the tub when you pour it in.

Caution

- Avoid splashing or over-filling the compartment.
- Never pour undiluted liquid chlorine bleach directly onto the load or into the tub. Doing so can damage fabrics, by weakening of the fibers or stripping the color.

NOTE: Do not pour color-safe bleach into the bleach compartment. Instead, add it to the detergent compartment.

Loading the fabric softener compartment

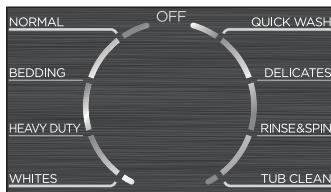
- Pour the recommended amount of liquid fabric softener into the softener compartment.
- The dispenser automatically releases liquid fabric softener at the correct time during the rinse cycle.
- Whenever fabric softener is used, please make sure to select FABRIC SOFTNER on the Rinse selector knob.

Caution

- Use the softener compartment **ONLY** for liquid fabric softeners.
- Do not use the **Downy Ball®** in the fabric softener compartment.
- Do not use liquid fabric softener that is too thick as it may not mix with the water sufficiently.
- Be sure to select the Fabric Softener option when using fabric softener so that it is released in the rinse portion of the cycle.

4. Add detergent and additives to the compartment

- Turn the cycle selector to select a washing cycle. For information on wash cycles, see Washer options and settings on page 32.



5. Start your washer

- Press the **Start Pause** button.

NOTE:

- As your washer moves from stage to stage in the wash cycle, the related light turns on (such as **Rinse** or **Spin**).



- If you need to pause the cycle (for example to add or remove items or adjust the load), press the **Start Pause** button, then open the lid. Your washer stops. When you are ready to resume washing, close the door, then press the **Start Pause** button.

5. Upload your laundry

When the wash cycle is complete:

- When the wash cycle is complete.
- Open the lid and remove the laundry.

Washer options and settings

- Double beep when button pressed means option not livable for the cycle.

Options and settings table of MLTW47A5BWW/MLTW47A5BGG

- For best washing performance, we suggest the loading weight be less than 17.64 lbs. (8.0 kg) (Dry clothes)
- Bolded options are initial settings. (dots) indicate optional functions you can select.

Program	Water Level	Temp.	Rinse Times
Normal	Auto/1-3	TapCold/Cold/Warm/Hot	1
Quick Wash	2	TapCold/Cold/Warm/Hot	1
Delicates	2	TapCold/Cold/Warm/Hot	1
Rinse&Spin	Auto/1-3	TapCold	1
Tub Clean	3	Hot	1
White	Auto/1-3	TapCold/Cold/Warm/Hot	2
Heavy Duty	Auto/1-3	TapCold/Cold/Warm/Hot	2
Bedding	Auto/1-3	TapCold/Cold/Warm/Hot	2

WASHER CARE

Caution

Turn off the water faucets after final use. This shuts off the water supply to your washer and prevents the possibility of damage from escaping water. Leave the lid open to let the inside of your washer dry out.

Cleaning and Maintenance

Cleaning the exterior

Use a soft cloth to wipe up all detergent, bleach, or other spills as they occur.

Cleaning the interior

- Clean the interior of your washer periodically to remove any dirt, soil, odor, mold, mildew, or bacterial residue that may remain in your washer as a result of washing clothes.
- Failure to follow these instructions may result in unpleasant conditions, including odors or permanent stains in your washer or on your laundry.
- To remove hard water deposits, use a cleaner labeled "Washer safe".

Cleaning the control panel

- Clean with a soft, damp cloth. Do not use abrasive powders or cleaning pads.
- Do not spray cleaners directly on the panel. The control panel finish may be damaged by some laundry pre-treatment soil and stain remover products. Apply such products away from your washer and wipe up any spills or over-spray immediately.

Cleaning the detergent, bleach, or softener compartment

- Clean with a soft, damp cloth. Do not use abrasive powders or cleaning pads.
- Do not spray cleaners directly on the panel. The control panel finish may be damaged by some laundry pre-treatment soil and stain remover products. Apply such products away from your washer and wipe up any spills or over-spray immediately.

Cleaning the tub

The **Self Clean** cycle is a self-cleaning cycle that removes the causes of odors that may occur inside your washer without using a cleaning agent. We suggest cleaning the tub about once a month.

WARNING

The electrical valve, retractor, motor and drain pump of this appliance are intentionally not grounded and may present a risk of electric shock during serving. Do not contact these electronic devices while the appliance is energized.



Caution

Never use the tub clean cycle when laundry is in your washer. This may damage the laundry or your washer.

- With the tub empty, add one cup of chlorine bleach to the bleach dispenser.
- Turn the control knob to power on.
- Turn the cycle selector to **TUB**. With the tub empty, add one cup of chlorine bleach to the bleach dispenser.
- Press the **Start Pause** button.

Storing your washer

You can damage your washer if you do not remove water from hoses and internal components before storage.

To prepare your washer for storage:

- Select the **Quick Wash** cycle and add bleach to the washer. Run your washer through the cycle without a load.
- Turn the water faucets off and disconnect the inlet hoses.
- Unplug your washer from the electrical outlet and leave your washer lid open to let air circulate inside the tub.



Caution

If your washer has been stored in below-freezing temperatures, allow time for any leftover water in your washer to dry out before use.

BEFORE YOU CALL FOR SERVICE...

Troubleshooting Tips

Save time and money! Review the charts on the following pages first and you may not need to call for service.

Problem	Solution
Washer does not start	<ul style="list-style-type: none">• Make sure that your washer is plugged in.• Make sure that the lid is closed.• Make sure that the water source faucets are open.• Make sure that you press the Start Pause button to start your washer.• Before your washer starts to fill, it makes a series of clicking noises to make sure that the lid is locked. The washer doesn't drain after the lid locks. For automatic cycles: Before filling, and after the lid locks, a load sensing program starts. Washer will agitate clothing without water to determine load type, water level, and cycle time. Then it fills. This can take up to one minute. Its normal. For non automatic cycles the washer fills after the lid locks.• Check the fuse or reset the circuit breaker.
No water or not enough water	<ul style="list-style-type: none">• Make sure that both faucets are fully turned on.• Make sure that the water pressure is in the range listed in Water requirements on page 14.• Make sure that the water inlet hoses are not kinked. Straighten if necessary.• Disconnect the hoses and clean the screens. The hose filter screens may be clogged.• This is a water efficiency washer. It does not fill to the levels of a standard washer. Low water levels are normal. It is normal for parts of clothing to stick out of the water.• For automatic cycles: Before filling, and after the lid locks, a load sensing program starts. Washer will agitate clothing without water to determine load type, water level, and cycle time. Then it fills. This can take up to one minute. Its normal. For non automatic cycles the washer fills after the lid locks.

Problem	Solution
When washer has excessive vibration or noise	<ul style="list-style-type: none"> • Make sure that your washer is set on a level surface. If the surface is not level, adjust your washer's feet to level your washer. • Make sure that your washer is not touching any other object. • Make sure that the laundry load is balanced. • During the spin process, if clothes are piled to one side of the tub, your washer may stop because of the imbalance. Your washer tries up to three times to solve the problem automatically. If the washer cannot solve the problem, try to manually redistribute clothes inside the tub. • Check to make sure packaging pieces of base foam cushion are not stuck under washer.
Washer stops	<ul style="list-style-type: none"> • Make sure that the power outlet is a working outlet. • Check the fuse or reset the circuit breaker. • Close the lid, then press the Start Pause button to start your washer. For your safety, your washer does not spin unless the lid is closed. • Before your washer starts to fill, it makes a series of clicking noises to make sure that the lid is locked. The washer doesn't drain after the lid locks. For automatic cycles: Before filling, and after the lid locks, a load sensing program starts. Washer will agitate clothing without water to determine load type, water level, and cycle time. Then it fills. This can take up to one minute. Its normal. For non automatic cycles the washer fills after the lid locks. • Sometimes your washer may pause between stages in the cycle. Wait to see if your washer starts again. • Disconnect the inlet hoses and clean the screens periodically. The hose filter screens may be clogged.
Lid is locked or will not open	<ul style="list-style-type: none"> • Press the Start Pause button to pause the washer. You cannot open the lid if the washer is running. • After you pause the washer, it may take a few seconds for the lid lock to release. • If the lid is locked when your washer is not running, press the Power button to turn on your washer. • If power fails while your washer is running, when power is restored, the lid unlocks. Your washer waits three minutes then runs the rest of the cycle.

Problem	Solution
Washer does not drain or spin	<ul style="list-style-type: none"> • Check the fuse or reset the circuit breaker. • Close the lid, then press the Start Pause button to start your washer. For your safety, your washer does not spin unless the lid is closed. • Make sure that the drain hose is not kinked. Straighten as necessary. Make sure that the height of the drain hose is within specified limits. See Drainage requirements on page 14. • The pipes to your sewer system may be clogged. Contact a plumber or qualified repair professional.
Washer does not drain or spin	<ul style="list-style-type: none"> • Make sure that you have selected the correct temp. • Make sure that the water source faucets are fully opened. • Make sure that the hoses are connected to the correct faucet and water intake connections on your washer, then flush the lines. See Connect the water hoses on page 19. • Disconnect the hoses and clean the screens. The hose filter screens may be clogged.
Load is too wet at the end of the cycle	<ul style="list-style-type: none"> • Use a high-efficiency detergent to reduce over-sudsing. See Selecting a detergent on page 28. • The load may be too small. Very small loads (one or two items) may become unbalanced and not spin out completely.
Water leaks	<ul style="list-style-type: none"> • Make sure that all hose connections are tight. See Connect the water hoses on page 19 and Connect the drain hose on page 21. • Make sure that the end of the drain hose is correctly inserted and secured to the drainage system. See Connect the drain hose on page 21. • Avoid overloading. • Use a high-efficiency detergent to reduce over-sudsing. See Selecting a detergent on page 28.
Oversuds condition	<ul style="list-style-type: none"> • Use a high-efficiency detergent to reduce over-sudsing. See Selecting a detergent on page 28. • If you have "soft" water, reduce the amount of detergent. • For small or lightly soiled loads, reduce the amount of detergent.
Prevent odor	<ul style="list-style-type: none"> • Periodically run a Tub Clean cycle to clean the tub. See Cleaning the tub on page 33. • Use a high-efficiency detergent to reduce over-sudsing. Excessive suds collect in nooks and crannies and cause odor. See Selecting a detergent on page 28. • Dry the interior of your washer after the total cycle has finished.

Error Codes

Your washer is equipped with an automatic error-monitoring system to detect and diagnose problems.

Error Code	Possible Cause	Solutions
○○○○●	Water is not supplied.	<ul style="list-style-type: none"> •Make sure the water taps are open. •Make sure the water hoses are not clogged. •Make sure the water taps are not frozen. •Make sure the washing machine is operating with sufficient water pressure. •Make sure that the cold water tap and the hot water tap are properly connected. •Clean the mesh filter as it may be clogged.
	The Water Level sensor is not working properly.	<ul style="list-style-type: none"> •Check WaterLevel Sensor wire harness. •If the information code remains, Call service center.
○○○○○	Water is not draining.	<ul style="list-style-type: none"> • Make sure the drain hose is not frozen or clogged. • Make sure the drain hose is positioned correctly, depending on the connection type. • Clean the debris filter as it may be clogged. • Make sure the drain hose is straightened all the way to the drain system. • If the information code remains, Call service center.
○○○○●	The lid is open.	<ul style="list-style-type: none"> •Close the lid. See Installation instructions to, "Level your washer". •The door lock or PCB may have failed, try steps again. •If the information code remains, Call service center.
○○○○○	Spinning does not work.	<ul style="list-style-type: none"> • Make sure laundry is spread out evenly. •Make sure the washing machine is on a flat, stable surface. •Redistribute the load. If only one item of clothing needs washing, such as a bathrobe or pair of jeans, the final spin result might be unsatisfactory.
●●●●●	The unit is out of balance in spin operation.	<ul style="list-style-type: none"> •Adjust the washer level refer to installation instructions. •If situation continues, call service center
●○○○○	Load sensing failed.	•Call service center.
●●○○○	Water Leveling sensing failed.	•Call service center.

Notice:

1.LED Display:

1)When error happening, Extra Rinse LED will flash and Process LED indicates error code.

2)○-off, ●-flash, ●-on

2)When error happening, the buzzer will beep 5 seconds and repeat once per 15minutes.

After 24 hour, machine will power off automatically.

3.When other error happening, please try again first, call up service line if there are still troubles.

MIDEA LAUNDRY DRYER LIMITED WARRANTY

ATTACH YOUR RECEIPT HERE. PROOF OF PURCHASE IS REQUIRED TO OBTAIN WARRANTY SERVICE.

Please have the following information available when you call the Customer Service Center:

- Name, address and telephone number
- Model number and serial number
- A clear, detailed description of the problem
- Proof of purchase including dealer or retailer name and address

IF YOU NEED SERVICE:

1. Before contacting us to arrange service, please determine whether your product requires repair. Some questions can be addressed without service. Please take a few minutes to review the Troubleshooting section of the User Manual, or visit <http://CanadaSupport@midea.com>
2. All warranty service is provided exclusively by our authorized Midea Service Providers, in Canada.

Midea Customer Service

In Canada, call 1-888-365-2230 or email CanadaSupport@midea.com.

If outside the 50 States of the United States or Canada, contact your authorized Midea dealer to determine whether another warranty applies.

LIMITED WARRANTY

WHAT IS COVERED

FIRST YEAR LIMITED WARRANTY (PARTS AND LABOR)

For one year from the date of purchase, if this major appliance is installed, operated and maintained according to instructions attached to or furnished with the product, Midea America (Canada) Corp. (hereafter "Midea") will pay for factory specified replacement parts and repair labor to correct defects in materials or workmanship that existed when this major appliance was purchased, or at its sole discretion replace the product. In the event of product replacement, your appliance will be warranted for the remaining term of the original unit's warranty period.

LIFETIME LIMITED WARRANTY (STAINLESS STEEL TUB)

For the lifetime of the product from the date of original purchase, when this major appliance is installed, operated and maintained according to instructions attached to or furnished with the product, Midea will pay for factory specified parts and repair labor for the following components to correct non-cosmetic defects in materials or workmanship that existed when this major appliance was purchased:

- Stainless steel tub

YOUR SOLE AND EXCLUSIVE REMEDY UNDER THIS LIMITED WARRANTY SHALL BE PRODUCT REPAIR OR REPLACEMENT AS PROVIDED HEREIN. Service must be provided by a Midea designated service company. This limited warranty is valid only in the 50 States of the United States or Canada and applies only when the major appliance is used in the country in which it was purchased. This limited warranty is effective from the date of original consumer purchase. Proof of original purchase date is required to obtain service under this limited warranty.

LIMITED WARRANTY

WHAT IS NOT COVERED

1. Commercial, non-residential or multiple-family use, or use inconsistent with published user, operator or installation instructions.
2. In-home Instruction on how to use your product.
3. Service to correct improper product maintenance or installation, installation not in accordance with electrical codes or correction of household electrical system (i.e. house wiring, fuses, etc.).
4. Consumable parts (i.e. light bulbs, batteries, air or water filters, etc.).
5. Defects or damage caused by the use of non-genuine Midea parts or accessories.
6. Damage from accident, misuse, abuse, fire, floods, electrical issues, acts of God or use with products not approved by Midea.
7. Repairs to parts or systems to correct product damage or defects caused by unauthorized service, alteration or modification of the appliance.
8. Cosmetic damage including scratches, dents, chips, and other damage to appliance finishes unless such damage results from defects in materials and workmanship and is reported to Midea within 30 days.
9. Routine maintenance of the product.
10. Products that were purchased "as is" or as refurbished products.
11. Products that have been transferred from its original owner.
12. Discoloration, rust or oxidation of surfaces resulting from caustic or corrosive environments including but not limited to high salt concentrations, high moisture or humidity or exposure to chemicals.
13. Pick-up or delivery. This product is intended for in-home repair.
14. Travel or transportation expenses for service in remote locations where an authorized Midea servicer is not available.
15. Removal or reinstallation of inaccessible appliances or built-in fixtures (i.e. trim, decorative panels, flooring, cabinetry, islands, countertops, drywall, etc.) that interfere with servicing, removal or replacement of the product.
16. Service or parts for appliances with original model/serial numbers removed, altered or not easily identified.

The cost of repair or replacement under these excluded circumstances shall be borne by the customer.

DISCLAIMER OF IMPLIED WARRANTIES

IMPLIED WARRANTIES, INCLUDING ANY IMPLIED WARRANTY OF MERCHANTABILITY OR IMPLIED WARRANTY OF FITNESS FOR A PARTICULAR PURPOSE, ARE LIMITED TO ONE YEAR OR THE SHORTEST PERIOD ALLOWED BY LAW. Some states and provinces do not allow limitations on the duration of implied warranties of merchantability or fitness, so this limitation may not apply to you. This warranty gives you specific legal rights, and you also may have other rights that vary from state to state or province to province.

DISCLAIMER OF REPRESENTATIONS OUTSIDE OF WARRANTY

Midea makes no representations about the quality, durability, or need for service or repair of this major appliance other than the representations contained in this warranty. If you want a longer or more comprehensive warranty than the limited warranty that comes with this major appliance, you should ask Midea or your retailer about buying an extended warranty.

LIMITATION OF REMEDIES; EXCLUSION OF INCIDENTAL AND CONSEQUENTIAL DAMAGES

YOUR SOLE AND EXCLUSIVE REMEDY UNDER THIS LIMITED WARRANTY SHALL BE PRODUCT REPAIR AS PROVIDED HEREIN. MIDEA SHALL NOT BE LIABLE FOR INCIDENTAL OR CONSEQUENTIAL DAMAGES. Some states and provinces do not allow the exclusion or limitation of incidental or consequential damages, so these limitations and exclusions may not apply to you. This warranty gives you specific legal rights, and you also may have other rights that vary from state to state or province to province.



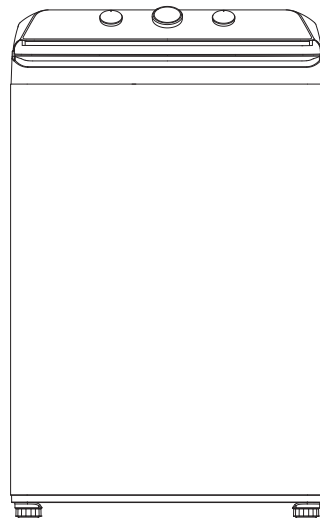
Laveuse à chargement vertical

Alimentation électrique : 120V~
Fréquence : 60 Hz
Capacité : 4,7 pieds cubes

Avertissement :
Avant d'utiliser ce produit, veuillez lire le présent manuel attentivement et le conserver pour consultation ultérieure. La conception et les spécifications peuvent être modifiées sans préavis en vue d'une amélioration du produit. Veuillez communiquer avec votre détaillant ou fabricant pour obtenir plus de renseignements.

version A

MANUEL D'UTILISATION ET INSTRUCTIONS D'INSTALLATION



**Extension gratuite
de 3 mois de la période
de garantie limitée initiale!***
Envoyez simplement une
photo de votre preuve d'achat
par message texte au :

1-844-224-1614

*L'extension de garantie porte sur les trois mois suivant immédiatement la fin de la période de garantie initiale du produit. Les particuliers n'ont pas besoin d'enregistrer le produit pour obtenir tous les droits et recours des propriétaires enregistrés en vertu de la garantie limitée d'origine.

NUMÉROS DE MODÈLE
MLTW47A5BWW
MLTW47A5BGG
www.midea/ca

Cher utilisateur

MERCI de permettre à Midea de « vous faire sentir bien chez vous ». Le présent manuel fait partie de notre engagement envers votre entière satisfaction. Veuillez lire le présent manuel attentivement avant d'utiliser le produit et le conserver dans un endroit pratique pour consultation ultérieure.

Pour nous aider à mieux vous servir, veuillez envisager d'enregistrer votre produit en utilisant notre application pratique MSmartlife de Midea, en consultant la page **register@registrationplace.com** ou en envoyant une photo de votre preuve d'achat par message texte au 1-844-224-1614.

En utilisant cette option de message texte, vous obtiendrez immédiatement la prolongation de garantie de 3 mois à l'achèvement de la garantie originale du produit.

INSTRUCTIONS DE SÉCURITÉ	4
CARACTÉRISTIQUES	11
Contenu de l'emballage	11
Composants principaux.....	12
EXIGENCES DE FONCTIONNEMENT	13
Exigences en matière d'électricité.....	13
Exigences en matière d'eau	14
Exigences en matière de vidange.....	14
INSTRUCTIONS D'INSTALLATION	15
Déballage de votre laveuse	15
Sélection d'un emplacement	16
Outils requis.....	18
Branchement des tuyaux d'eau	19
Raccorder le tuyau de vidange.....	21
Mettre votre laveuse à niveau.....	23
Mise sous tension	24
Effectuer un cycle d'essai.....	25
UTILISATION DE LA LAVEUSE	26
Panneau de commande	26
Lavage d'une brassée de lessive.....	27
Sélection d'un détergent.....	27
Remplissage du compartiment d'assouplissant.....	30

ENTRETIEN DE LA LAVEUSE.....	32
Nettoyage et entretien.....	32
AVANT D'APPELER LE SERVICE TECHNIQUE.....	34
Conseils de dépannage.....	34
Codes d'erreurs.....	37
GARANTIE	38

LISEZ ET CONSERVEZ CES INSTRUCTIONS EN VUE D'UNE CONSULTATION FUTURE

Le présent manuel contient des renseignements importants sur l'installation, l'utilisation et l'entretien de votre appareil. Veuillez lire le présent manuel attentivement avant l'installation et l'utilisation de cette machine afin d'éviter blessures et dommages matériels.

Les avertissements et les INSTRUCTIONS DE SÉCURITÉ importantes contenus dans le présent manuel NE couvrent PAS de façon exhaustive toutes les situations possibles. Il est de votre responsabilité de faire preuve de bon sens, de prudence et de minutie lors de l'installation, de l'entretien et de l'utilisation de votre laveuse.



**MISE EN GARDE
RISQUE DE DÉCHARGE ÉLECTRIQUE
NE PAS OUVRIR**



INSTRUCTIONS DE SÉCURITÉ

VOTRE SÉCURITÉ ET LA SÉCURITÉ DES AUTRES SONT TRÈS IMPORTANTES

Pour éviter que les utilisateurs ou d'autres personnes se blessent ou pour prévenir les dommages matériels, les instructions contenues dans le présent document doivent être respectées. Une mauvaise utilisation en raison du non-respect des instructions pourrait causer des dommages ou autres préjudices, voire un décès.

Le niveau de risque est indiqué par les symboles suivants.



AVERTISSEMENT

Ceci indique que les dangers ou les pratiques dangereuses pourraient provoquer des blessures graves, voire mortelles. Pour réduire les risques d'incendie, d'explosion, de décharge électrique ou de blessure lors de l'utilisation de votre laveuse, vous DEVEZ suivre ces INSTRUCTIONS DE SÉCURITÉ de base.



MISE EN GARDE

Ceci indique que les dangers ou les pratiques dangereuses pourraient causer des blessures mineures ou des dommages matériels.



AVERTISSEMENT

Ce symbole indique qu'il y a des instructions d'utilisation et d'entretien importantes dans la documentation accompagnant votre laveuse.



AVERTISSEMENT

N'entreposez pas ni n'utilisez d'essence ou d'autres liquides et vapeurs inflammables près de cet appareil ou de tout autre appareil électroménager.

INSTRUCTIONS DE SÉCURITÉ IMPORTANTES



AVERTISSEMENT

- Lisez toutes les instructions avant d'utiliser l'appareil.
- Utilisez cet appareil uniquement pour l'usage auquel il est destiné, comme décrit dans ce Manuel d'utilisation.
- Avant son utilisation, la laveuse doit être correctement installée, comme décrit dans ce manuel.
- Suivez TOUJOURS les instructions d'entretien du tissu fournies par le fabricant de vêtements.
- Ne lavez pas ni ne séchez des articles qui ont été nettoyés, lavés, trempés ou tachés avec de l'essence, du solvant pour nettoyage à sec ou d'autres substances inflammables ou explosives : elles peuvent dégager des vapeurs qui pourraient s'enflammer ou exploser.
- Ne laissez pas les enfants jouer sur cet appareil ou à l'intérieur de celui-ci. La présence d'enfants près de cet appareil lorsqu'il est en marche doit faire l'objet d'une étroite supervision.
- Avant de mettre l'appareil hors service ou aux rebus, retirez le couvercle du compartiment de lavage.
- Ne mettez pas vos mains dans l'appareil si la cuve est en mouvement.
- N'installez pas ni ne rangez cet appareil dans un endroit où il sera exposé aux intempéries ou au gel.
- Ne modifiez pas les commandes.
- Ne réparez ni ne remplacez aucune pièce de l'appareil, et ne tentez aucune intervention d'entretien qui n'a pas été spécifiquement recommandée dans des instructions d'entretien ou des guides de réparation destinés à l'utilisateur ou que vous ne comprenez pas bien.
- L'hydrogène gazeux est explosif. Si le système d'eau chaude n'a pas été utilisé pendant deux semaines ou plus, avant d'utiliser une laveuse, ouvrez tous les robinets d'eau chaude et laissez l'eau s'écouler par chacun des robinets pendant plusieurs minutes. Ceci permettra de purger tout hydrogène gazeux ayant été accumulé dans le système. Le gaz étant inflammable, ne fumez pas et n'utilisez pas une flamme nue pendant cette purge.
- Gardez la zone sous vos appareils électroménagers et autour de ceux-ci exempte de matières combustibles (charpie, papier, chiffons, etc.), d'essence, de produits chimiques et de tout autre liquide ou vapeur inflammable.
- Ne placez pas d'articles contaminés par de l'huile de cuisson dans votre laveuse. Ils peuvent causer une réaction chimique susceptible d'enflammer les articles dans la laveuse.
- Cette laveuse n'est pas conçue pour une utilisation maritime ou pour des installations mobiles tels que véhicules récréatifs, aéronefs et autres plateformes mobiles.
- Fermez les robinets d'eau et débranchez la laveuse si elle n'est pas utilisée pendant une période prolongée, comme pendant les vacances.
- Les matériaux d'emballage peuvent être dangereux pour les enfants. Ils font courir un risque de suffocation. Gardez tous les matériaux d'emballage hors de la portée des enfants.
- Vérifiez toujours l'intérieur de la laveuse pour repérer tout corps étranger avant de mettre une brassée. Gardez le couvercle fermé lorsque vous ne l'utilisez pas.



AVERTISSEMENT

- Branchez le cordon d'alimentation dans une prise murale de 120 V c.a./60 Hz, d'une intensité nominale de 15 A ou plus. Utilisez cette prise uniquement pour la laveuse. N'utilisez pas de rallonge.
 - Le partage d'une prise murale avec un autre appareil, l'utilisation d'une barre d'alimentation ou l'utilisation d'une rallonge électrique pourrait causer une décharge électrique ou un incendie.
 - N'utilisez pas de transformateur électrique. Cela pourrait causer une décharge électrique ou un incendie.
 - Assurez-vous que la tension de l'alimentation, la fréquence et le courant correspondent aux spécifications du produit. Le non-respect de cette consigne pourrait causer une décharge électrique ou un incendie.
- Enlevez régulièrement à l'aide d'un chiffon sec toute matière étrangère, comme la poussière ou l'eau, des bornes et des points de contact de la fiche d'alimentation.
 - Débranchez la fiche d'alimentation et nettoyez-la avec un chiffon sec.
 - Le non-respect de cette consigne pourrait causer une décharge électrique ou un incendie.
- Branchez la fiche d'alimentation dans la prise murale dans le sens approprié de sorte que le cordon soit orienté naturellement vers le plancher.
 - Si vous branchez la fiche d'alimentation dans la prise dans le sens contraire, les fils à l'intérieur du câble pourraient être endommagés et causer ainsi une décharge électrique ou un incendie.
- Branchez à fond la fiche d'alimentation dans la prise murale. N'utilisez pas une fiche d'alimentation endommagée ou une prise murale mal fixée, car cela pourrait causer une décharge électrique ou un incendie.
- Ne tirez pas sur le cordon d'alimentation ni ne le pliez excessivement. Ne tordez pas ni ne nouez le cordon d'alimentation.
- N'accrochez pas le cordon d'alimentation sur un objet métallique. Ne placez pas un objet lourd sur le cordon d'alimentation, ne l'insérez pas entre des objets et ne le poussez pas dans l'espace derrière l'appareil, car cela pourrait causer un risque de décharge électrique ou d'incendie.
- Ne tirez pas sur le cordon d'alimentation lorsque vous débranchez la fiche d'alimentation.
 - Débranchez la fiche d'alimentation en tenant la fiche.
 - Le non-respect de cette consigne pourrait causer une décharge électrique ou un incendie.
- Si la fiche ou le cordon d'alimentation est endommagé(e), communiquez avec le centre de service le plus près de vous.
- N'installez pas la laveuse sur un tapis. Installez-la sur un plancher solide et de niveau qui peut supporter son poids. Le non-respect de cette consigne pourrait causer des vibrations anormales, un bruit anormal ou des problèmes de fonctionnement du produit.
- La laveuse est lourde. Deux personnes ou plus peuvent être nécessaires pour l'installer et la déplacer. Le non-respect de cette consigne pourrait entraîner des blessures ou autres préjudices.
- Entreposez et installez la laveuse dans un endroit où elle ne sera pas exposée à des températures inférieures au point de congélation ou à des intempéries. Le non-respect de cette consigne risque d'occasionner de graves dommages dus à des fuites.
- Positionnez l'appareil pour que la fiche d'alimentation soit facilement accessible. Le non-respect de cette consigne peut causer un risque de décharge électrique ou d'incendie par court-circuit électrique.
- Le non-respect de n'importe laquelle des INSTRUCTIONS DE SÉCURITÉ du présent manuel pourrait entraîner des dommages matériels ou des blessures.



AVERTISSEMENT

Avertissements et précautions relatifs à l'utilisation et à l'entretien

- Si l'appareil est inondé, coupez immédiatement l'alimentation et communiquez avec le centre de service le plus près de vous.
- Si l'appareil émet un son inhabituel, une odeur de brûlé ou de la fumée, débranchez immédiatement la fiche d'alimentation et communiquez avec le centre de service le plus près de vous. Le non-respect de cette consigne pourrait causer une décharge électrique ou un incendie.
- Dans le cas d'une fuite de gaz (de propane ou de pétrole liquéfié par exemple), ventilez immédiatement la zone. N'allumez ni n'éteignez aucun appareil ou lumière.
 - N'utilisez pas de ventilateur d'aération.
 - Une étincelle pourrait provoquer une explosion ou un incendie.
- N'ouvrez pas le couvercle de la laveuse de force pendant que la laveuse est en fonctionnement
 - L'eau qui s'écoule de la laveuse peut causer des brûlures ou rendre le plancher glissant. Cela pourrait causer des blessures.
 - Le fait d'ouvrir le couvercle de force peut endommager le produit ou causer des blessures.
- Assurez-vous de retirer l'emballage (éponge, polystyrène) fixé en dessous de la laveuse avant de l'utiliser.
- N'insérez pas votre main ou un objet métallique sous la laveuse. Cela pourrait causer des blessures.
- Ne tentez pas de faire fonctionner cet appareil s'il est endommagé, défectueux ou partiellement démonté, ou si des pièces manquent ou sont endommagées, notamment un cordon ou une fiche. Une telle situation peut présenter des risques de décharge électrique et d'incendie, voire de blessures mortelles.
- Ne touchez pas la fiche d'alimentation en ayant la main humide. Cela risque de causer une décharge électrique.
- Pendant que l'appareil est en marche, ne le mettez pas hors tension en débranchant sa fiche d'alimentation. Le fait de rebrancher la fiche d'alimentation dans la prise murale pourrait causer une décharge électrique ou une étincelle et un incendie.
- Gardez hors de la portée des enfants tout matériel d'emballage, car il peut être dangereux pour ceux-ci. Si un enfant place un sac sur sa tête, il peut suffoquer!
- Ne laissez pas des enfants ou des personnes handicapées utiliser cette laveuse sans surveillance. Le non-respect de cette consigne risque de causer une décharge électrique, des brûlures ou des blessures.
- Ne tentez pas de réparer, de démonter ou de modifier l'appareil vous-même.
 - N'utilisez aucun matériau fusible (comme un fil d'acier, de cuivre, etc.) autre que le fusible standard.
 - Si vous devez réparer ou réinstaller l'appareil, communiquez avec le centre de service le plus près de vous.
 - Le non-respect de cette consigne risque de causer une décharge électrique, un incendie, des problèmes avec l'utilisation du produit ou des blessures.
- Si une matière étrangère comme de l'eau entre dans l'appareil en un autre endroit que la cuve, débranchez la fiche d'alimentation et communiquez avec le centre de service le plus près de vous. Le non-respect de cette consigne pourrait causer une décharge électrique ou un incendie.
- Si le tuyau d'alimentation en eau se détache du robinet et inonde l'appareil, débranchez la fiche d'alimentation. Le non-respect de cette consigne pourrait causer une décharge électrique ou un incendie.

- Ne mélangez pas du javellisant avec de l'ammoniaque ou des acides comme du vinaigre. Une mauvaise utilisation peut produire un gaz toxique pouvant causer des blessures graves.
- Ne mettez pas les mains dans la laveuse lorsque des composants sont toujours en mouvement. Avant de charger, de retirer ou d'ajouter des articles, appuyez sur le bouton Start/Pause (Mise en marche/Pause) et laissez la cuve s'arrêter complètement avant de mettre les mains à l'intérieur. Le non-respect de cette consigne pourrait causer une décharge électrique, des blessures ou un incendie.
- Ne laissez pas un enfant jouer sur la laveuse ou à l'intérieur de celle-ci. La présence d'un enfant près de la laveuse lorsqu'elle est en marche doit faire l'objet d'une étroite supervision. Au fur et à mesure que les enfants grandissent, apprenez-leur à utiliser correctement et en toute sécurité tout appareil électroménager. Le non-respect de cette consigne pourrait causer des blessures graves.
- Rangez les produits de lessive hors de la portée des enfants. Observez et respectez tous les avertissements sur les étiquettes du produit. Le non-respect de cette consigne pourrait causer des blessures graves.
- Débranchez cet appareil de sa prise de courant avant de tenter d'effectuer tout entretien. Le fait d'appuyer sur le bouton Power (Alimentation) ne coupe pas cet appareil de sa source d'alimentation électrique. Le non-respect de cette consigne pourrait causer une décharge électrique, des blessures ou un incendie.
- Ne nettoyez pas l'appareil en pulvérisant de l'eau dessus.
- N'utilisez pas de benzène, de diluant ou d'alcool pour nettoyer l'appareil. Cela pourrait causer une décoloration, une déformation ou autres dommages à l'appareil, ou causer une décharge électrique ou un incendie.
- Débranchez la fiche d'alimentation lorsque l'appareil n'est pas utilisé pendant de longues périodes ou en cas d'orage et de foudre. Le non-respect de cette consigne pourrait causer une décharge électrique ou un incendie.
- Lorsque vous fermez le couvercle, gardez les mains et tout objet à l'écart de celui-ci et de la zone du verrou. Le non-respect de cette consigne pourrait causer des blessures corporelles.
- Si la laveuse est contaminée par une substance étrangère comme du détergent, de la saleté ou des déchets alimentaires, débranchez la fiche d'alimentation, puis nettoyez l'appareil avec un chiffon doux et humide. Le non-respect de cette consigne risque de causer une décoloration ou une déformation du produit. Dommages ou rouille.
- La partie transparente du couvercle peut se briser sous un choc important. Faites attention lorsque vous utilisez la laveuse. Si la partie transparente est fissurée ou brisée, des blessures pourraient en résulter.
- Après une panne d'alimentation en eau, ou lorsque vous rebranchez le tuyau d'alimentation en eau, ouvrez le robinet lentement.
- Ouvrez le robinet lentement après une longue période sans utilisation. La pression d'air dans le tuyau d'alimentation en eau ou la conduite d'eau risque d'endommager une pièce ou de provoquer une fuite d'eau.
- Si une défaillance de vidange survient en cours de fonctionnement, vérifiez s'il existe un problème de vidange. Si la laveuse est utilisée lorsqu'elle est inondée en raison d'un problème de vidange, il peut se produire une décharge électrique ou un incendie par court-circuit électrique. N'insérez pas votre main ou un objet métallique sous la laveuse. Cela pourrait causer des blessures.
- Insérez complètement les vêtements dans la laveuse afin qu'ils ne se coincent pas dans le couvercle. Si des vêtements se coincent dans le couvercle, cela pourrait les endommager ou endommager la laveuse, ou entraîner une fuite d'eau.
- Veillez à ce que le robinet soit fermé lorsque la laveuse ne sert pas.
- Assurez-vous que les raccords du tuyau d'alimentation en eau sont bien serrés. Le non-respect de cette consigne pourrait entraîner des dommages matériels ou des blessures.
- Avant d'utiliser le produit, ouvrez le robinet et vérifiez si le raccord du tuyau d'alimentation en eau est bien serré et s'il n'y a pas de fuite d'eau. Si les raccords du tuyau d'alimentation en eau sont desserrés, des fuites d'eau peuvent se produire.

- Ne grimpez pas ou ne placez pas d'objets (tels que lessive, bougies ou cigarettes allumées, plats, produits chimiques, objets métalliques, etc.) sur l'appareil. Ceci pourrait provoquer une décharge électrique, un incendie, des problèmes avec l'utilisation du produit ou des blessures.
- N'utilisez pas l'appareil les mains humides. Cela risque de causer une décharge électrique.
- Ne vaporisez pas de substances volatiles comme de l'insecticide sur la surface de l'appareil. En plus d'être nocif pour les humains, un tel produit peut également causer une décharge électrique, un incendie ou des problèmes avec l'utilisation du produit.
- Ne placez pas près de la laveuse un objet qui génère un champ électromagnétique. Cela risque de provoquer des blessures par suite d'un fonctionnement défectueux de l'appareil.
- Puisque l'eau vidangée pendant un cycle de lavage ou de séchage à haute température est chaude, n'y touchez pas. Cela pourrait provoquer des brûlures ou autres blessures.
- Ne lavez pas, n'essorez pas ou ne séchez pas des sièges, des tapis ou des vêtements qui sont étanches à l'eau.
- Ne lavez pas de tapis épais ou rigides, même si la marque de laveuse apparaît sur l'étiquette d'entretien. Cela peut entraîner des vibrations anormales pouvant causer des blessures ou des dommages à la laveuse, aux murs, au plancher ou aux vêtements.
- N'utilisez pas la laveuse lorsque le distributeur de détergent est enlevé. Cela pourrait provoquer des fuites d'eau pouvant causer une décharge électrique ou des blessures.
- N'insérez pas votre main dans le distributeur de détergent après l'avoir ouvert. Cela pourrait entraîner des blessures par coincement de votre main.
- Ne placez dans la laveuse aucun objet autre que des vêtements, comme des chaussures, des déchets alimentaires ou des animaux. Cela peut provoquer des vibrations anormales qui endommageront la laveuse, et dans le cas d'animaux de compagnie, leur causer des blessures graves, voire mortelles.
- N'appuyez pas sur les boutons à l'aide d'objets pointus comme des aiguilles, des couteaux ou des ongles. Cela pourrait causer une décharge électrique ou des blessures.
- Ne lavez pas la lessive contaminée par des huiles, des crèmes ou des lotions que l'on trouve habituellement dans les boutiques de soins pour la peau ou les cliniques de massage. Cela pourrait déformer le joint en caoutchouc et provoquer ainsi des fuites d'eau.
- Assurez-vous que le tuyau d'admission d'eau est branché et que le robinet est ouvert avant de laver les vêtements.
- Ne laissez pas d'objets métalliques (épingles de sûreté, épingles à cheveux, etc.) ou de javellisant dans la cuve pendant de longues périodes. La cuve pourrait rouiller.
 - Si de la rouille apparaît sur la surface de la cuve, appliquez-y un agent de nettoyage neutre, et utilisez une éponge pour la nettoyer. N'utilisez jamais une brosse métallique.
- N'utilisez pas de l'eau chaude provenant de dispositifs de refroidissement par eau/ de chauffage d'eau. Cela pourrait donner lieu à des problèmes d'utilisation de la laveuse.
- N'utilisez pas de savon pour les mains naturel dans la laveuse. S'il durcit et s'accumule à l'intérieur de celle-ci, cela pourrait occasionner des problèmes d'utilisation du produit, de décoloration, de rouille ou de mauvaises odeurs.
- Si vous utilisez un filet de lavage avec cette machine (non fourni), n'y mettez pas des articles comme de la literie. Ceci pourrait créer des vibrations anormales pouvant causer des blessures. Mettez seulement des articles plus petits, tels que dentelles, chaussettes et lingerie fine, dans le filet de lavage.
- N'utilisez pas de détergent en poudre qui a durci. S'il s'accumule à l'intérieur de la laveuse, cela peut entraîner des fuites d'eau.
- Ne lavez pas de carpettes ni de paillasons. Du sable pourrait s'accumuler à l'intérieur de la laveuse et causer des problèmes mécaniques.

AVERTISSEMENT

Mise à la terre

- Cet appareil doit être correctement mis à la terre.
- Ne mettez pas l'appareil à la terre sur une conduite de gaz, un tuyau d'eau en plastique ou une ligne téléphonique.
 - Une mise à la terre inadéquate peut causer une décharge électrique, un incendie, une explosion ou des problèmes avec l'utilisation du produit.
 - Ne branchez jamais le cordon d'alimentation dans une prise qui n'est pas mise à la terre correctement. Assurez-vous que la prise que vous utilisez est correctement mise à la terre. Assurez-vous que la prise que vous utilisez est mise à la terre conformément aux codes local et national.

AVERTISSEMENT

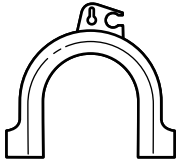
Mise à la terre

- N'installez pas cet appareil près d'un appareil de chauffage ou d'un matériau inflammable.
- N'installez pas cet appareil dans un endroit humide, huileux ou poussiéreux, ou dans un endroit exposé à l'ensoleillement direct ou à l'eau (sous forme de pluie ou autre).
- N'installez pas cet appareil dans un endroit où du gaz pourrait fuir. Le non-respect de cette consigne pourrait causer une décharge électrique ou un incendie.
- Si la laveuse est déménagée, faites-la vérifier et réinstaller par un technicien qualifié. Le non-respect de cet avertissement pourrait causer une décharge électrique ou un incendie.
- Ne tirez pas sur le cordon d'alimentation ou le tuyau de vidange pour déplacer l'appareil à l'emplacement désiré.

CARACTÉRISTIQUES

Contenu de l'emballage

Assurez-vous que les articles suivants ont été livrés avec votre laveuse



Guide pour le tuyau de vidange



Robinet



Sangle (x1)



Filtre (x2)

REMARQUE :

- Utilisez les filtres pour remplacer les rondelles en caoutchouc dans les tuyaux d'eau (extrémité robinet).

Composants principaux

Instructions de sécurité

Caractéristiques

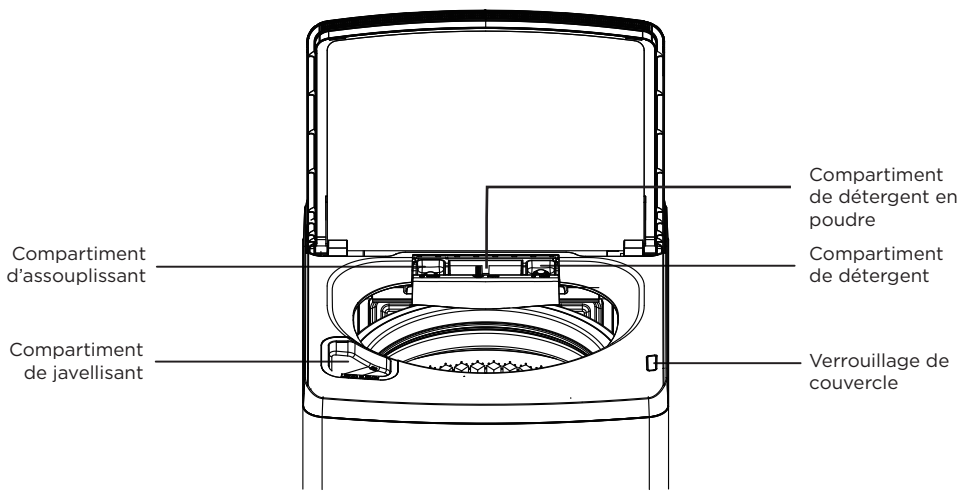
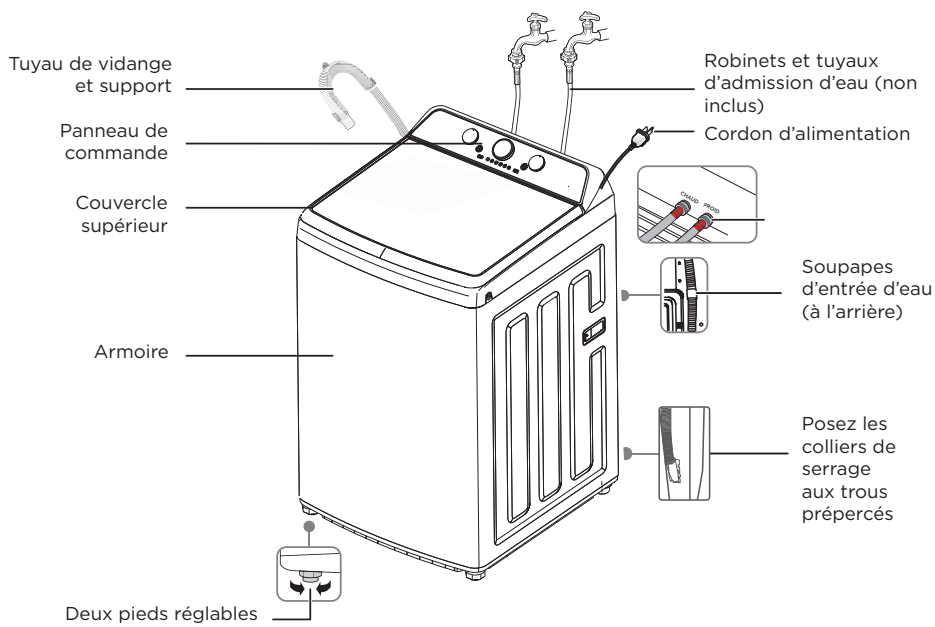
Exigences de fonctionnement

Instructions d'installation

Utilisation de la laveuse

Entretien de la laveuse

Dépannage



EXIGENCES DE FONCTIONNEMENT

Exigences en matière d'électricité

AVERTISSEMENT

- Pour réduire le risque d'incendie, de décharge électrique ou de blessure, lisez les INSTRUCTIONS DE SÉCURITÉ avant d'utiliser cet appareil.
- Si vous ne respectez pas scrupuleusement ces instructions, vous risquez de provoquer une vibration anormale et un état de déséquilibre qui pourrait causer des blessures et des dommages matériels et/ou des dommages à l'appareil lui-même.

Utilisez un fusible ou disjoncteur de 120V-, 60 Hz, 15 A. Nous recommandons un circuit de dérivation individuel desservant uniquement votre laveuse.

AVERTISSEMENT

N'utilisez jamais de rallonge.

Une mise à la terre du circuit électrique est requise pour votre laveuse.

Votre laveuse doit être mise à la terre. En cas de défaillance ou de panne, la mise à la terre réduit les risques de décharge électrique en offrant au courant un trajet de moindre résistance.

Votre laveuse est dotée d'un cordon d'alimentation avec fiche de terre à trois broches pour utilisation dans une prise correctement installée et mise à la terre.

La prise doit être correctement installée et mise à la terre en conformité avec tous les codes et règlements locaux.

AVERTISSEMENT

- Vous avez la responsabilité d'assurer pour votre laveuse une alimentation électrique adéquate.
- Un mauvais raccordement du conducteur de mise à la terre de l'équipement peut accroître le risque de décharge électrique. Communiquez avec un électricien ou un représentant de service qualifié si vous ne savez pas si votre laveuse est correctement mise à la terre.
- Ne modifiez pas la fiche du cordon d'alimentation qui est fournie avec votre laveuse. Si la fiche ne convient pas à votre prise, faites installer le bon type de prise par un électricien qualifié.
- Pour éviter tout risque d'incendie, de décharge électrique ou de blessure, tous les travaux de câblage et de mise à la terre doivent être effectués conformément à la plus récente édition du National Electrical Code (États-Unis), ANSI/NFPA n° 70, ainsi qu'aux codes et règlements locaux.
- Ne branchez jamais le fil de mise à la terre à des conduites de plomberie en plastique, à des conduites de gaz ou à des conduites d'eau chaude.

Exigences en matière d'eau

Pour remplir votre laveuse dans les délais appropriés, la pression d'eau doit se situer entre 14 et 116 lb/po² (de 100 à 800 kPa).

Si la pression d'eau est inférieure à 14 lb/po² (100 kPa) :

- Le robinet de prise d'eau pourrait être défectueux ou ne pas se fermer complètement.
- Le temps de remplissage de la laveuse pourrait être plus long que le délai prévu par les commandes de votre laveuse. Votre laveuse s'arrêtera alors et signalera une erreur. Une limite de temps est intégrée aux commandes pour éviter que votre domicile soit inondé advenant qu'un tuyau se serait desserré.
- Les tuyaux d'admission d'eau doivent être achetés séparément. Vous pouvez acheter des tuyaux d'admission de différentes longueurs allant jusqu'à 240 cm (8 pi).

Pour éviter les dommages causés par l'eau :

- Assurez-vous que les robinets d'eau sont facilement accessibles.
- Fermez les robinets lorsque vous n'utilisez pas votre laveuse.
- Vérifiez régulièrement s'il y a des fuites au niveau des joints du tuyau d'eau.

Exigences en matière de vidange

La hauteur recommandée pour le tuyau de rejet à l'égout est de 122 cm (48 po).

Le tuyau de vidange doit être passé à l'intérieur du collier du tuyau de vidange jusqu'au tuyau de rejet à l'égout.

Le tuyau de rejet à l'égout doit être suffisamment gros pour accepter le diamètre extérieur du tuyau de vidange.

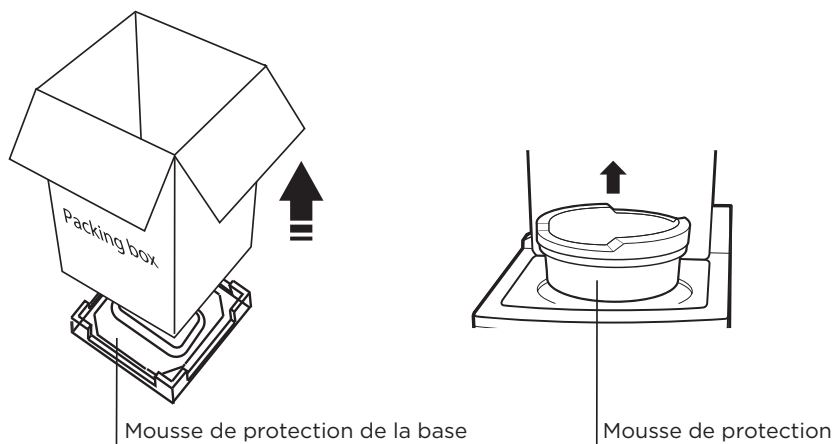
INSTRUCTIONS D'INSTALLATION

Déballage de votre laveuse

AVERTISSEMENT

- Les matériaux d'emballage peuvent être dangereux pour les enfants. Gardez les matériaux d'emballage (sacs en plastique, polystyrène, etc.) hors de la portée des enfants.
- Ne faites pas fonctionner votre laveuse sur la base rembourrée en mousse. Une telle utilisation provoquerait des vibrations importantes qui pourraient endommager l'équipement ou causer des blessures.

Retirez la boîte d'emballage et soulevez la laveuse pour enlever la base rembourrée en mousse. Ouvrez le couvercle de la laveuse pour retirer tous les accessoires, y compris la mousse de protection.



Sélection d'un emplacement

AVERTISSEMENT

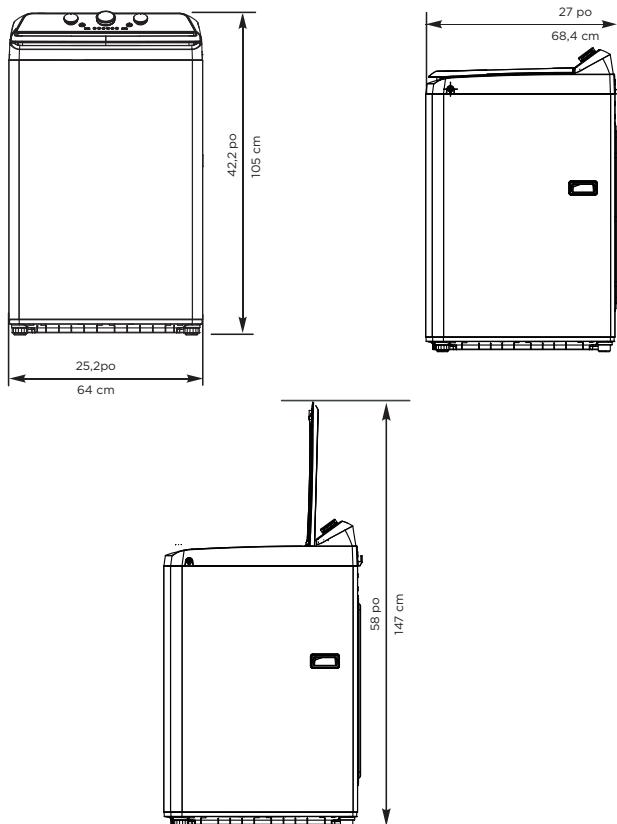
- N'installez pas votre laveuse en un endroit où l'eau pourrait geler, car elle conserve toujours une certaine quantité d'eau dans son robinet de prise d'eau, sa pompe et ses tuyaux. Le gel de l'eau peut endommager le robinet, la pompe, les tuyaux et d'autres composants.
- N'installez jamais la laveuse sur une plateforme ou une structure mal supportée.

Pour obtenir une meilleure performance, vous devez installer votre laveuse sur un plancher solide et de niveau.

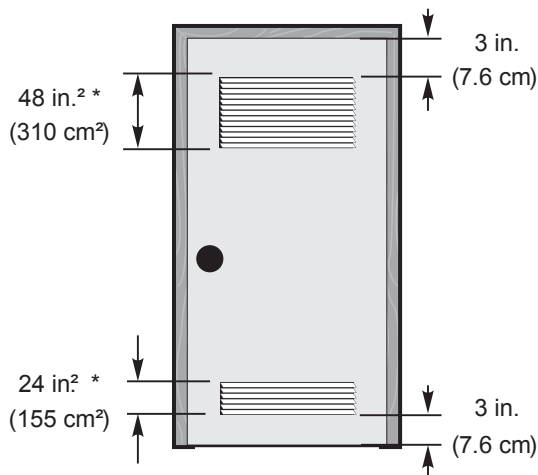
Il pourrait être nécessaire de renforcer les planchers en bois afin de réduire au minimum les vibrations ou les situations de déséquilibre de brassée.

Les moquettes et les surfaces de carreaux souples peuvent entraîner une vibration excessive pouvant provoquer de légers déplacements de votre laveuse pendant le cycle d'essorage.

Dimensions de la laveuse et mesures pour l'installation



Si vous installez votre laveuse dans une alcôve ou un placard, le devant de celui-ci doit comporter deux ouvertures d'air non obstruées offrant une zone combinée d'au moins 465 cm² (72 po²) et un dégagement d'au moins 7,6 mm (3 po) au haut et au bas. Une porte à lattes ayant un espace libre équivalent est acceptable.

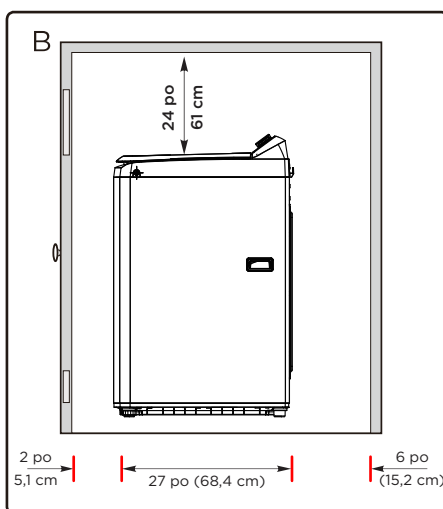
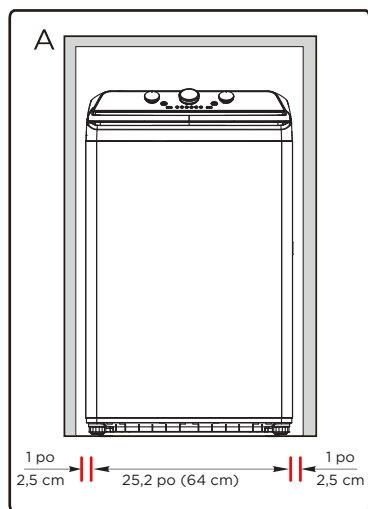


Installation dans une alcôve ou un placard

Les dégagements minimaux entre votre laveuse et les murs adjacents ou d'autres surfaces sont :

- **De chaque côté** : 2,5 cm (1 po)
- **À l'arrière** : 15,2 cm (6 po)
- **Devant du placard** : 5,1 cm (2 po)
- **Dessus** : 61 cm (24 po)
- **Écart entre l'extrémité du robinet de prise d'eau et le mur** : 15,2 cm (6 po)

Si vous installez votre laveuse et votre sècheuse côte à côte dans un placard, l'avant de celui-ci doit avoir une ouverture d'air non obstruée d'au moins 465 cm² (72 po²).



A. Zone encastrée

B. Vue latérale – placard ou espace confiné



AVERTISSEMENT

- Une surface dure et plane sans moquette ni revêtement de sol souple qui pourraient obstruer la ventilation.
- À l'écart de tout ensoleillement direct.
- Ayant une ventilation adéquate.
- Non exposée à des températures sous le point de congélation (0 °C ou 32 °F).
- À l'écart de sources de chaleur comme l'essence ou le gaz.
- L'espace est suffisant pour que la laveuse ne repose pas sur son cordon d'alimentation.

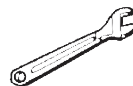
Outils requis



Pinces



Niveau



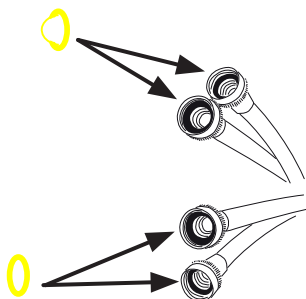
Clé à molette
d'une
ouverture de
25 mm
(1 po)

Branchement des tuyaux d'eau

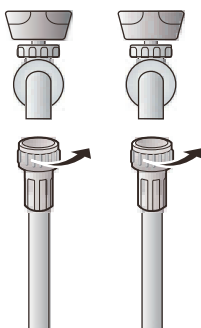
REMARQUE : Les tuyaux d'alimentation en eau ne sont pas fournis avec votre laveuse et doivent être achetés séparément.

Mise en garde

- Utilisez des tuyaux d'alimentation en eau neufs. L'utilisation de tuyaux usagés peut entraîner des fuites ou un débordement qui peuvent endommager votre propriété.
 - Ne raccordez pas plusieurs tuyaux d'alimentation en eau bout à bout pour augmenter la longueur du tuyau. Les tuyaux raccordés de cette façon peuvent fuir et causer une décharge électrique. Si un tuyau est trop court, remplacez-le par un tuyau à haute pression plus long.
1. Assurez-vous de la présence de rondelles en caoutchouc à l'intérieur des raccords aux deux extrémités de chaque tuyau d'eau neuf. Retirez les rondelles en caoutchouc de l'extrémité robinet et remplacez-les par des filtres. L'installation des tuyaux d'alimentation en eau sans rondelles en caoutchouc peut causer des fuites d'eau.



2. Serrez à la main les raccords du tuyau et du robinet jusqu'à ce qu'ils soient bien serrés, puis à l'aide d'une pince ou d'une clé, complétez le serrage en donnant deux tiers de tour supplémentaires. Tirez les tuyaux d'alimentation en eau vers le bas pour vous assurer qu'ils sont bien raccordés.



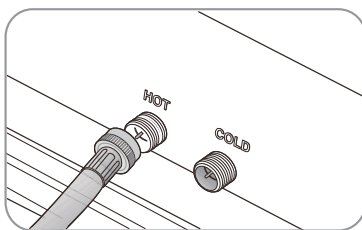
Mise en garde

Ne serrez pas trop les raccords, et n'appliquez pas de ruban adhésif ni de mastic sur les robinets ou les entrées d'eau. Cela pourrait endommager les raccords.

3. Placez les extrémités non raccordées des tuyaux dans un seau, puis ouvrez les robinets auxquels sont raccordés les tuyaux d'alimentation en eau pendant 10 ou 15 secondes afin d'éliminer tout corps étranger. Fermez les robinets.



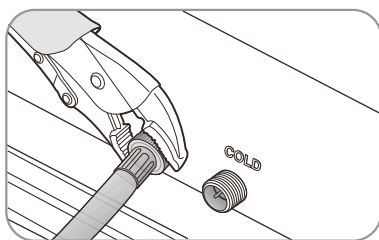
4. Raccordez les extrémités des tuyaux d'alimentation en eau aux raccords de prise d'eau situés dans le haut de la laveuse. Assurez-vous que les rondelles en caoutchouc sont bien en place. Le tuyau d'alimentation en eau raccordé au robinet d'eau chaude doit être raccordé à la prise d'eau chaude, et le tuyau d'alimentation en eau raccordé au robinet d'eau froide, à la prise d'eau froide.



REMARQUE : Si vous ne souhaitez pas utiliser le tuyau d'alimentation en eau chaude, insérez à la place de celui-ci un capuchon de prise d'eau dans l'orifice de la prise d'eau chaude. Dans ce cas, vous devez sélectionner l'option « Tap Cold » (Eau froide du robinet) pour la température de l'eau.

REMARQUE : Aucun capuchon de prise d'eau n'est fourni avec votre laveuse. Cet article doit être acheté séparément.

5. Serrez à la main les raccords jusqu'à ce qu'ils soient bien serrés, puis à l'aide d'une pince, complétez le serrage en donnant deux tiers de tour supplémentaires.



Mise en garde

- Ne serrez pas trop les raccords, et n'appliquez pas de ruban adhésif ni de mastic sur les robinets ou les arrivées d'eau. Cela pourrait endommager les raccords.
- Assurez-vous que les tuyaux d'alimentation en eau ne sont pas tordus ou pliés. Un tuyau tordu ou plié risque de fuir et de provoquer ainsi une décharge électrique. Pour assurer la bonne utilisation de l'eau, raccordez les tuyaux d'eau aux robinets d'eau chaude et d'eau froide. Si l'un des deux tuyaux ou les deux ne sont pas raccordés, un code d'erreur pourrait s'afficher.

6. Ouvrez l'alimentation en eau chaude et en eau froide, et assurez-vous qu'aucun raccordement de prises d'eau et de robinets ne présente de fuites.

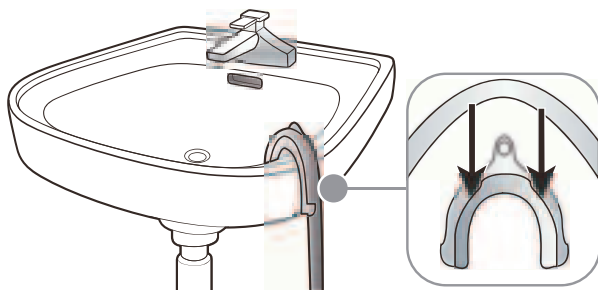
Raccorder le tuyau de vidange

1. Sortez le tuyau de vidange du collier.
2. Positionnez l'extrémité de commande du tuyau de vidange. Il peut être positionné de trois façons.

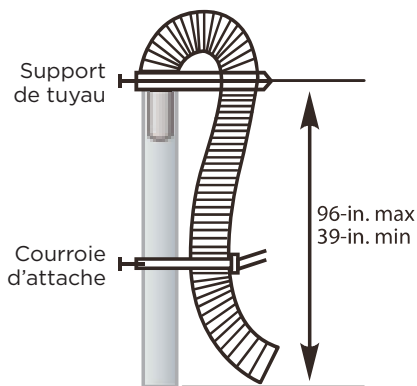
Mise en garde

Assurez-vous que le raccordement entre le tuyau de vidange et le lavabo, le tuyau de rejet à l'égout ou le bac de lavage n'est pas étanche à l'air.

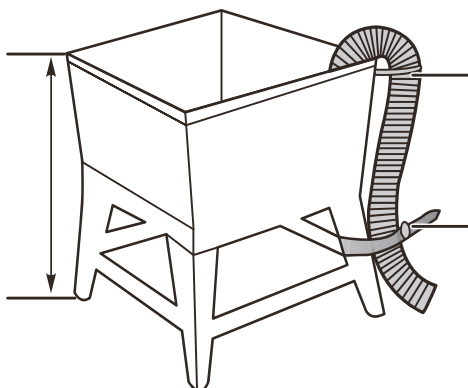
- **Sur le bord du lavabo** - Fixez le guide sur le côté de la paroi du lavabo à l'aide d'un crochet, de ruban adhésif ou d'une corde afin d'empêcher le tuyau de vidange de se déplacer.



- **Dans un tuyau de rejet à l'égout** - La longueur du tuyau de rejet à l'égout doit être d'au moins 99 cm (39 po) et d'au plus 244 cm (96 po).



- **Dans un bac de lavage** — Le bac de lavage ne doit pas être inférieur à 99 cm (39 po) et supérieur à 244 cm (96 po).



Mettre votre laveuse à niveau

Mise en garde

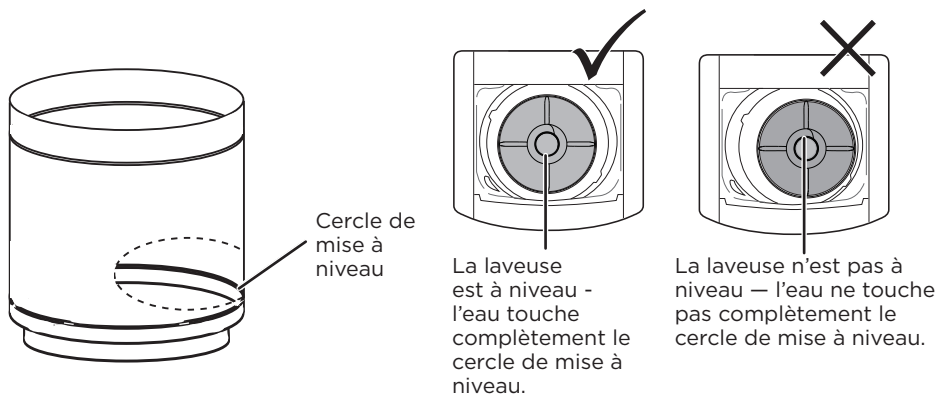
N'utilisez pas votre laveuse sans la mettre à niveau. Si votre laveuse n'est pas à niveau, elle pourrait :

- Vibrer excessivement, ce qui peut entraîner un mauvais fonctionnement de votre laveuse.
- Produire un bruit excessif.
- Indiquer des codes d'erreur lorsqu'elle est en marche.

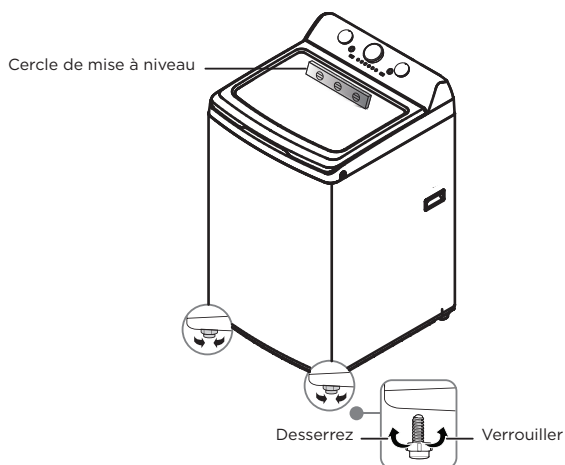
Ne déployez pas les pieds de mise à niveau à moins que ce soit nécessaire. Plus les pieds sont déployés, plus votre laveuse vibrera.

Déterminez si la laveuse est à niveau en vérifiant la position de la cuve ou en utilisant un niveau.

1. Faites glisser la laveuse jusqu'à l'endroit choisi.
2. Ouvrez le couvercle de la laveuse, puis versez de l'eau dans la cuve jusqu'au cercle de mise à niveau. Si l'eau est à niveau, l'eau touchera complètement le cercle de mise à niveau. Si la laveuse n'est pas à niveau, l'eau touchera uniquement une partie du cercle de mise à niveau.



3. Si votre laveuse n'est pas à niveau, inclinez-la délicatement juste assez pour ajuster les pieds de réglage sur la partie inférieure de votre laveuse. Déployez les pieds autant qu'il le faut. Plus les pieds sont déployés, plus votre laveuse vibrera.



Mise sous tension

Branchez le cordon d'alimentation dans une prise électrique agréée de 120 V, 60 Hz et à 3 broches correctement mise à la terre, protégée par un fusible de 15 ampères ou à un coupe-circuit comparable. La troisième broche de la corde d'alimentation permet de mettre votre sècheuse à la terre.

Effectuer un cycle d'essai

Effectuez un cycle d'essai pour vous assurer que votre laveuse est correctement installée.

1. Mettez environ 6 lb (2,7 kg) de linge dans la cuve.
2. Sélectionnez le bouton **Cycles** pour mettre votre laveuse en marche
3. Appuyez sur le bouton **Start Pause** (Mise en marche/Pause) pour commencer le cycle d'essai. Votre laveuse ne doit pas bouger ou vibrer de façon excessive lorsque la laveuse se remplit d'eau ou pendant le lavage ou l'essorage. La laveuse devrait se vidanger correctement pendant le cycle d'essorage.

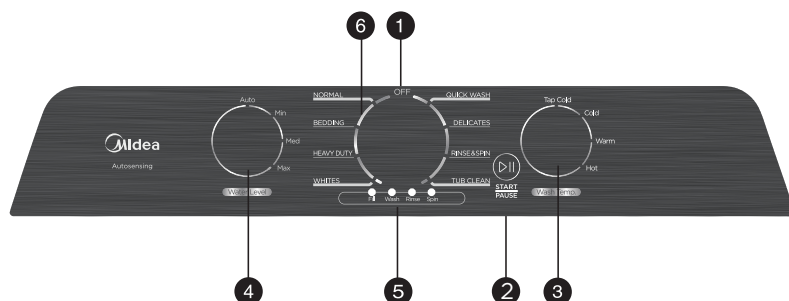


Mise en garde

- S'il y a une fuite d'eau lors du remplissage ou de la vidange, vérifiez les raccordements des tuyaux d'eau. Voir **Raccordement des tuyaux d'eau** à la page 19 ou **Raccorder le tuyau de vidange** à la page 21. Consultez **Mettre votre laveuse à niveau** à la page 23.
- Si la laveuse bouge ou vibre de façon excessive, mettez-la de nouveau à niveau.
- La vanne électrique, l'enrouleur, le moteur et la pompe de vidange de cet appareil ne sont intentionnellement pas mis à la terre et peuvent présenter un risque de choc électrique pendant l'utilisation. Ne pas toucher ces appareils électroniques lorsque l'appareil est sous tension.

UTILISATION DE LA LAVEUSE

Panneau de commande



1 Position d'arrêt

Sélectionnez pour éteindre votre laveuse.

2 ►|| START/PAUSE (Mettre en marche/Pause)

Appuyez une fois pour démarrer le cycle. Appuyez de nouveau pour interrompre le cycle. Si vous interrompez le cycle, vous pouvez ajouter ou retirer des articles, mais vous ne pouvez pas modifier les réglages. Appuyez de nouveau pour redémarrer le cycle.

3 Température de l'eau Sélectionner

Tournez ce bouton pour sélectionner la température de l'eau de lavage. L'eau de rinçage est toujours froide.

4 Sélecteur de niveau d'eau

Tournez pour sélectionner le niveau d'eau

5 Voyants d'état du cycle

Clignotent pour indiquer dans quelle partie du cycle se trouve votre laveuse. Par exemple, Soak (Trempage) s'allume lorsque votre laveuse est en cours du processus Soak (Trempage).

6 Sélecteur de cycle

Tournez ce bouton pour sélectionner un cycle de lavage. Le cycle que vous sélectionnez détermine le type de lavage pour le cycle. Pour plus d'informations, voir les options et réglages de la laveuse à la page 25.

Lavage d'une brassée de lessive

AVERTISSEMENT

Pour réduire le risque d'incendie, de décharge électrique ou de blessure, lisez les INSTRUCTIONS DE SÉCURITÉ avant d'utiliser cet appareil.

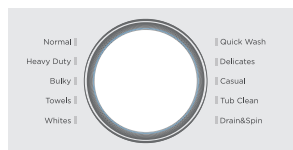
Sélection d'un détergent

Votre laveuse est conçue pour utiliser des détergents à haute efficacité (HE).

- Pour obtenir des résultats de nettoyage optimaux, utilisez un détergent HE. Nous vous recommandons de ne pas utiliser un détergent ordinaire. Les détergents HE comprennent des supprimeurs qui réduisent ou éliminent la lessive de savon. Lorsqu'il y a moins de lessive de savon, la brassée tourne plus efficacement et le nettoyage est optimisé.
- Réduire la quantité de détergent peut réduire la qualité du nettoyage. Assurez-vous de :
 - Prétraiter les taches.
 - Trier les articles avec soin par couleur et niveau de saleté.
 - Éviter de surcharger l'appareil.

1. Mettez votre laveuse sous tension

- Votre laveuse fonctionnera selon les sélections de cycles que vous avez choisies.
- Les voyants afficheront différentes combinaisons en fonction des différents cycles que vous avez choisis.



2. Chargez votre laveuse

Mise en garde

Avant de mettre les vêtements dans la laveuse, enlevez pièces de monnaie, clés et autres objets durs, et fermez les fermetures éclair. Ces articles peuvent endommager les vêtements et la laveuse.

- Triez la lessive par type de tissu, niveau de saleté, couleur et taille de brassée.
- Chargez la cuve de vêtements secs et dépliés. Chargez-la jusqu'au 3/4 au maximum.

REMARQUE :

- Une surcharge peut réduire l'efficacité du lavage, causer une usure excessive et froisser ou plisser les vêtements.
- Lavez avec des articles légers similaires les articles délicats tels que soutiens-gorges, bonneterie (articles chaussants) et autres articles de lingerie fine au cycle **Delicates** (Articles délicats).

Exemples de chargement

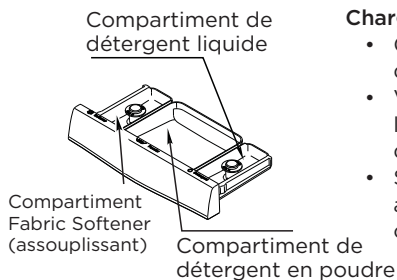
WORKWEAR (Vêtements de travail)	LINENS (Draps)	MIXED LOAD (Charge mixte)	DELICATES (Articles délicats)	QUICK WASH (Lavage rapide) ((moins de 2,7 kg [6 lb])
5 jeans 5 chemises de travail 3 pantalons de travail	2 draps de bain 8 serviettes de bain 10 débarbouillettes 6 essuie-mains 2 tapis de bain en tissu éponge OU 2 draps plats grand format 2 draps ajustés grand format 4 taies d'oreiller	3 taies d'oreiller 3 essuie-mains 1 drap plat/1 drap ajusté 4 serviettes de bain/ 4 débarbouillettes OU 6 chemises (hommes ou femmes) 4 pantalons (kakis ou sergés) 4 t-shirts 4 caleçons 3 boxeurs 3 shorts OU 6 t-shirts 3 shorts 3 chandails en molleton 2 chandails à capuchon 8 paires de chaussettes	6 soutiens-gorge 6 culottes 3 robes de chambre 2 camisoles 5 chemises de nuit	4 chemises de travail décontractées 2 pantalons de travail décontractés OU 6 uniformes de soccer

REMARQUE :

- Une surcharge peut réduire l'efficacité du lavage, causer une usure excessive et froisser ou plisser les vêtements.
- Lavez avec des articles légers similaires les articles délicats tels que soutiens-gorges, bonneterie (articles chaussants) et autres articles de lingerie fine au cycle **Delicates** (Articles délicats).

- Lorsque vous lavez des articles épais et volumineux (comme des tapis ou des oreillers) ou quelques articles plus petits (comme des jouets en peluche ou un ou deux chandails) qui ne remplissent pas complètement la cuve, ajoutez quelques serviettes pour améliorer l'essorage.
- Utilisez toujours le cycle **Bulky** (Articles volumineux) avec de tels articles.
- Pour laver une brassée très sale et obtenir des résultats de nettoyage optimaux, ne surchargez pas votre laveuse.

3. Ajoutez détergent et additifs dans le compartiment



Chargement du détergent liquide ou en poudre

- Chargement du détergent liquide ou en poudre dans le compartiment indiqué.
- Versez la quantité recommandée de détergent à lessive directement dans le compartiment avant de mettre en marche votre laveuse.
- Si vous utilisez un javellisant non décolorant, ajoutez-le avec le détergent dans le compartiment de détergent.

REMARQUE :

- Pour ajouter un javellisant non décolorant au détergent, les deux produits de lavage doivent être sous la même forme (liquide).
- Si votre modèle de laveuse n'a pas de compartiment de détergent, vous devez ajouter celui-ci dans la cuve.

Chargement des capsules dans la laveuse

- Chargez d'abord les capsules directement au fond d'un panier vide.
- Ajoutez ensuite les vêtements par-dessus les capsules.

REMARQUE :

- Le chargement des capsules au fond du panier améliorera la performance de lavage et permettra au détergent de se dissoudre plus facilement dans la lessive.

Remplissage du compartiment de javellisant (javellisant liquide seulement)

Compartiment de javellisant



- Ajoutez du javellisant au chlore dans le compartiment de javellisant. Évitez de trop remplir le compartiment.
- Il n'y a pas d'arrivée d'eau dans le distributeur de javellisant; celui-ci se chargera donc directement dans la cuve lorsque vous le verserez.



Mise en garde

- Évitez d'éclabousser ou de trop remplir le compartiment.
- Ne versez jamais de javellisant au chlore liquide, non dilué, directement sur la brassée ou dans la cuve. Ce produit chimique puissant pourrait endommager les tissus en affaiblissant ou décolorant les fibres.

REMARQUE : Ne versez pas le javellisant non décolorant dans le compartiment de javellisant. Ajoutez-le plutôt dans le compartiment de détergent.

Remplissage du compartiment d'assouplissant

- Versez la quantité recommandée d'assouplissant liquide dans le compartiment d'assouplissant.
- Le distributeur libère automatiquement l'assouplissant liquide au moment approprié durant le cycle de rinçage.
- Si vous utilisez un assouplissant, assurez-vous de sélectionner FABRIC SOFTENER (Assouplissant) sur le bouton de sélection de rinçage.

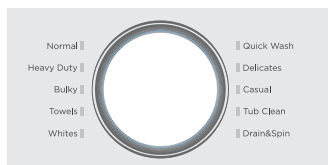


Mise en garde

- Utilisez le compartiment d'assouplissant UNIQUEMENT pour les assouplissants liquides.
- N'utilisez pas la **Downy Ball**® (Boule doseuse) dans le compartiment d'assouplissant.
- N'utilisez pas un assouplissant liquide trop visqueux (épais) : il pourrait ne pas bien se mélanger à l'eau.
- Assurez-vous de sélectionner l'option Fabric Softener (Assouplissant) pour utiliser un assouplissant, afin que celui-ci soit distribué pendant l'étape de rinçage du cycle.

4. Ajoutez détergent et additifs dans le compartiment

- Tournez le sélecteur de cycle pour sélectionner un cycle de lavage. Pour obtenir des informations sur les cycles de lavage, voir Options et réglages de la laveuse ci-dessous.

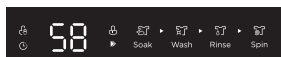


5. Mettez en marche votre laveuse

- Appuyez sur le bouton **Start/Pause** (Mise en marche/Pause).

REMARQUE :

- Au fur et à mesure que la laveuse passe d'un stade à l'autre pendant le cycle de lavage, le témoin lumineux correspondant à ce stade s'allume (comme **Rinse** [Rinçage] ou **Spin** [Essorage]).



- Si vous devez interrompre le cycle (par exemple, pour ajouter ou retirer des articles ou ajuster la brassée), appuyez sur le bouton **Start Pause** (Mise en marche/Pause), puis ouvrez le couvercle. Votre laveuse s'arrête. Lorsque vous êtes prêt(e) à poursuivre le lavage, fermez la porte, puis appuyez sur le bouton **Start Pause** (Mise en marche/Pause).

6. Retirer votre lessive

- lorsque le cycle de lavage est terminé.
- Ouvrez le couvercle et retirez la lessive.

Options et réglages de la laveuse

- Si vous appuyez sur un bouton et que vous entendez un double bip, cela signifie que l'option demandée n'est pas disponible pour le cycle.

Tableau des options et réglages du modèle MLTW47A5BWW/MLTW47A5BGG

- Pour une performance de lavage optimum, nous suggérons que le poids de chargement soit inférieur à 17,64 lb. (8,0 kg) (vêtements secs).

Programme	Niveau d'eau	Temp.	Rinse Times (Temps de rinçage)
Normal	Auto/1-3	TapCold (Eau froide)/Cold (Froid)/Warm (Tiède)/Hot (Chaud)	1
Quick Wash (Lavage rapide)	2	TapCold (Eau froide)/Cold (Froid)/Warm (Tiède)/Hot (Chaud)	1
Delicates (Articles délicats)	2	TapCold (Eau froide)/Cold (Froid)/Warm (Tiède)/Hot (Chaud)	1
Rinse & Spin (Rinçage et essorage)	Auto/1-3	TapCold (Eau froide)	1
Tub Clean (Nettoyage de cuve)	3	Hot (Chaud)	1
Blanche	Auto/1-3	TapCold (Eau froide)/Cold (Froid)/Warm (Tiède)/Hot (Chaud)	2
Heavy Duty (Intensif)	Auto/1-3	TapCold (Eau froide)/Cold (Froid)/Warm (Tiède)/Hot (Chaud)	2
Bedding (Literie)	Auto/1-3	TapCold (Eau froide)/Cold (Froid)/Warm (Tiède)/Hot (Chaud)	2

Instructions de sécurité

Caractéristiques

Exigences de fonctionnement

Instructions d'installation

Utilisation de la laveuse

Entretien de la laveuse

Dépannage

ENTRETIEN DE LA LAVEUSE

Mise en garde

Fermez les robinets après l'utilisation finale. Vous coupez ainsi l'alimentation en eau de votre laveuse, ce qui permet d'éviter des dommages causés par des fuites d'eau. Laissez le couvercle ouvert pour permettre à l'intérieur de votre laveuse de sécher.

NETTOYAGE ET ENTRETIEN

Nettoyage de l'extérieur

Utilisez un chiffon doux pour essuyer détergent, javellisant ou autres dépôts, au fur et à mesure.

Nettoyage de l'intérieur

- Nettoyez régulièrement l'intérieur de votre laveuse pour éliminer saleté, odeurs, moisissure et résidus bactériens qui pourraient demeurer dans votre laveuse après la lessive.
- Le non-respect de ces instructions pourrait occasionner des désagréments et inconvénients comme des odeurs ou des taches permanentes dans votre laveuse ou sur votre lessive.
- Pour enlever les dépôts d'eau dure, employez un nettoyant désigné sur son étiquette comme étant adapté aux laveuses (« Washer Safe »).

Nettoyage du panneau de commande

- Nettoyez avec un chiffon doux et humide. N'utilisez pas de poudres abrasives ou de tampons nettoyants.
- Ne vaporisez pas de produits de nettoyage directement sur le panneau. La finition du panneau de commande pourrait être endommagée par certains détachants pour tissu. Appliquez de tels produits à l'écart de votre laveuse, et essuyez immédiatement tout déversement ou toute surpulvérisation.

Nettoyage du compartiment de détergent, de javellisant ou d'assouplissant

- Nettoyez avec un chiffon doux et humide. N'utilisez pas de poudres abrasives ou de tampons nettoyants.

Nettoyage de la cuve

Le cycle **Tub Clean (Nettoyage de cuve)** est un cycle autonettoyant qui élimine les sources d'odeur à l'intérieur de votre laveuse sans utiliser d'agent de nettoyage. Nous suggérons de nettoyer la cuve environ une fois par mois.

AVERTISSEMENT

La vanne électrique, l'enrouleur, le moteur et la pompe de vidange de cet appareil ne sont intentionnellement pas mis à la terre et peuvent présenter un risque de choc électrique pendant l'utilisation. Ne touchez pas ces appareils électroniques lorsque l'appareil est sous tension.



Mise en garde

N'utilisez jamais le cycle Tub Clean (Nettoyage de cuve) lorsqu'il y a des vêtements dans votre laveuse. Cela pourrait endommager les vêtements ou votre laveuse.

- Tournez le bouton de commande pour mettre l'appareil sous tension.
- Tournez le sélecteur de cycle à **Tub** (Cuve). Lorsque la cuve est vide, ajoutez une tasse de javellisant dans le distributeur de javellisant.
- Appuyez sur le bouton **Start/Pause** (Mise en marche/Pause).

Entreposage de votre laveuse

Vous pouvez endommager votre laveuse si vous ne vidangez pas l'eau des tuyaux et des composants internes avant de l'entreposer.

Pour préparer votre laveuse à l'entreposage :

- Sélectionnez le cycle **Quick Wash** (Lavage rapide) et ajoutez du javellisant dans la laveuse. Faites fonctionner votre laveuse pendant le cycle complet sans mettre d'articles dedans.
- Fermez les robinets d'eau et débranchez les tuyaux d'admission d'eau.
- Débranchez votre laveuse de la prise électrique et laissez le couvercle ouvert pour laisser circuler l'air à l'intérieur de la cuve.



Mise en garde

Si votre laveuse a été entreposée à des températures inférieures au point de congélation, attendez que toute eau à l'intérieur dégèle avant d'utiliser de nouveau l'appareil.

AVANT D'APPELER LE SERVICE TECHNIQUE...

Conseils de dépannage

Économisez temps et argent! Passez d'abord en revue les tableaux des pages suivantes et vous n'aurez peut-être pas besoin d'appeler le service.

Problème	Solution
La laveuse ne se met pas en marche.	<ul style="list-style-type: none">• Assurez-vous que votre laveuse est branchée.• Assurez-vous que le couvercle est fermé.• Assurez-vous que les robinets sont ouverts.• Appuyez sur la touche Start/Pause (Mise en marche/ Pause) pour mettre en marche la laveuse.• Avant que votre laveuse commence à se remplir, elle émet une série de déclics pour vérifier que le couvercle est verrouillé. La laveuse ne vidange pas après le verrouillage du couvercle. Pour les cycles automatiques : Avant le remplissage et après le verrouillage du couvercle, un programme de détection de brassée commence. La laveuse agitera les vêtements sans admettre l'eau afin de déterminer le type de brassée, le niveau d'eau à utiliser et la durée du cycle. Elle se remplit ensuite. Cela peut prendre jusqu'à une minute. C'est normal. Pour les cycles non automatiques, la laveuse se remplit après le verrouillage du couvercle.• Vérifiez le fusible ou réarmez le disjoncteur.
Il n'y a pas d'arrivée d'eau, ou la quantité d'eau est insuffisante.	<ul style="list-style-type: none">• Assurez-vous que les deux robinets sont ouverts complètement.• Assurez-vous que la pression d'eau se situe dans la plage indiquée dans Exigences en matière d'eau à la page 14.• Assurez-vous que les tuyaux d'admission d'eau ne sont pas pliés. Dépliez-les le cas échéant.• Débranchez les tuyaux et nettoyez les crépines. Les crépines des tuyaux pourraient être obstruées.• Cette laveuse est du type économe en eau. Elle ne se remplit pas aux mêmes niveaux qu'une laveuse standard. Des niveaux d'eau faibles sont normaux. Il est normal ainsi que certaines parties des vêtements émergent à la surface de l'eau.• Pour les cycles automatiques : Avant le remplissage et après le verrouillage du couvercle, un programme de détection de brassée commence. La laveuse agitera les vêtements sans admettre l'eau afin de déterminer le type de brassée, le niveau d'eau à utiliser et la durée du cycle. Elle se remplit ensuite. Cela peut prendre jusqu'à une minute. C'est normal. Pour les cycles non automatiques, la laveuse se remplit après le verrouillage du couvercle.

Instructions de sécurité

Caractéristiques

Exigences de fonctionnement

Instructions d'installation

Utilisation de la laveuse

Entretien de la laveuse

Dépannage

Problème	Solution
<p>Lorsque la laveuse vibre de façon excessive ou est trop bruyante.</p>	<ul style="list-style-type: none"> • Assurez-vous que votre laveuse est installée sur une surface de niveau. Si la surface n'est pas de niveau, ajustez les pieds de l'appareil pour le mettre de niveau. • Assurez-vous que votre laveuse n'est en contact avec aucun autre • objet. • Assurez-vous que la brassée est équilibrée. • Pendant l'essorage, si les vêtements sont empilés d'un côté de la cuve, la laveuse peut s'arrêter en raison de ce déséquilibre. Votre laveuse tente jusqu'à trois fois de résoudre ce problème de façon automatique. Si la laveuse ne peut pas résoudre le problème, essayez de répartir à la main les vêtements à l'intérieur de la cuve. • Assurez-vous qu'aucun morceau d'emballage du coussin en mousse de la base n'est coincé sous la laveuse.
<p>La laveuse s'arrête.</p>	<ul style="list-style-type: none"> • Assurez-vous que la prise de courant est fonctionnelle. • Vérifiez le fusible ou réarmez le disjoncteur. • Fermez le couvercle, puis appuyez sur le bouton Start/Pause (Mise en marche/Pause) pour mettre en marche la laveuse. Pour votre sécurité, la cuve de la laveuse ne tourne pas tant que le couvercle n'est pas fermé. • Avant que votre laveuse commence à se remplir, elle émet une série de déclics pour vérifier que le couvercle est verrouillé. La laveuse ne vidange pas après le verrouillage du couvercle. Pour les cycles automatiques : Avant le remplissage et après le verrouillage du couvercle, un programme de détection de brassée commence. La laveuse agitera les vêtements sans admettre l'eau afin de déterminer le type de brassée, le niveau d'eau à utiliser et la durée du cycle. Elle se remplit ensuite. Cela peut prendre jusqu'à une minute. C'est normal. Pour les cycles non automatiques, la laveuse se remplit après le verrouillage du couvercle. • Parfois, votre laveuse peut se mettre sur pause après certaines étapes du cycle. Attendez que votre laveuse se remette en marche. • Débranchez les tuyaux d'admission et nettoyez les crépines régulièrement. Les crépines des tuyaux pourraient être obstruées.
<p>Le couvercle est verrouillé ou ne s'ouvre pas.</p>	<ul style="list-style-type: none"> • Appuyez sur le bouton Start/Pause (Mise en marche/Pause) pour mettre la laveuse sur pause. Vous ne pouvez pas ouvrir le couvercle si la laveuse est en marche. • Après avoir mis la laveuse sur pause, il faudra quelques secondes pour que le verrou du couvercle se déverrouille. • Si le couvercle est verrouillé lorsque votre laveuse n'est pas en marche, appuyez sur le bouton Power (Marche/Arrêt) pour la remettre en marche. • S'il y a une panne de courant lorsque votre laveuse est en marche, une fois le courant rétabli, le couvercle se déverrouille. Votre laveuse attend trois minutes, puis exécute le reste du cycle.

Problème	Solution
La laveuse ne se vide pas ou la cuve ne tourne pas.	<ul style="list-style-type: none"> Vérifiez le fusible ou réarmez le disjoncteur. Fermez le couvercle, puis appuyez sur le bouton Start Pause (Mise en marche/Pause) pour mettre en marche la laveuse. Pour votre sécurité, la cuve de la laveuse ne tourne pas tant que le couvercle n'est pas fermé. Assurez-vous que le tuyau de vidange n'est pas plié. Dépliez-le le cas échéant. Assurez-vous que la hauteur du tuyau de vidange se situe dans les limites spécifiées. Voir Exigences de drainage à la page 14. Les tuyaux vers les égouts pourraient être obstrués. Communiquez avec un plombier ou un réparateur professionnel.
La laveuse ne se vide pas ou la cuve ne tourne pas.	<ul style="list-style-type: none"> Assurez-vous d'avoir sélectionné la température appropriée. Assurez-vous que les robinets sont complètement ouverts. Assurez-vous que les tuyaux sont raccordés aux bons robinets et aux bons raccords de prise d'eau sur votre laveuse, puis rincez les tuyaux. Voir Raccorder les tuyaux d'eau à la page 19. Débranchez les tuyaux et nettoyez les crépines. Les crépines des tuyaux pourraient être obstruées.
La brassée est trop mouillée à la fin du cycle.	<ul style="list-style-type: none"> Utilisez un détergent à haute efficacité (HE) pour réduire l'excès de lessive de savon. Voir Sélection d'un détergent à la page 29. La brassée pourrait être trop petite. Les petites brassées (un ou deux articles) ont tendance à se déséquilibrer et à ne pas tourner uniformément.
Il y a des fuites d'eau.	<ul style="list-style-type: none"> Assurez-vous que tous les raccordements des tuyaux sont bien serrés. Voir Raccordement des tuyaux d'eau à la page 19 ou Raccordement du tuyau de vidange à la page 21. Assurez-vous que l'extrémité du tuyau de vidange est correctement insérée et fixée au système de vidange. Voir Raccorder le tuyau de vidange à la page 21. Évitez de surcharger l'appareil. Utilisez un détergent à haute efficacité (HE) pour réduire les excès de lessive de savon. Voir Sélection d'un détergent à la page 29.
Il y a excès de lessive de savon.	<ul style="list-style-type: none"> Utilisez un détergent à haute efficacité (HE) pour réduire les excès de lessive de savon. Voir Sélection d'un détergent à la page 29. Si votre eau est douce, réduisez la quantité de détergent. Pour les petites brassées ou les brassées légèrement sales, réduisez la quantité de détergent.
Prévenir les odeurs.	<ul style="list-style-type: none"> Exécutez régulièrement un cycle Tub Clean (Nettoyage de cuve) pour nettoyer la cuve. Voir Nettoyage de la cuve à la page 33. Utilisez un détergent à haute efficacité (HE) pour réduire les excès de lessive de savon. Les excès de lessive de savon s'accumulent dans les coins et recoins de l'appareil et causent des odeurs. Voir Sélection d'un détergent à la page 29. Séchez l'intérieur de votre laveuse après la fin du cycle complet.

Codes d'erreurs

Votre laveuse est munie d'un système automatique de surveillance des erreurs pour détecter et diagnostiquer les problèmes.

Code d'erreur	Cause possible	Solutions
○○○○●	L'eau n'est pas fournie.	<ul style="list-style-type: none"> Assurez-vous que xx les robinets sont ouverts. Assurez-vous que les tuyaux d'eau ne sont pas obstrués. Assurez-vous que les robinets ne sont pas gelés. Assurez-vous que la laveuse fonctionne sous une pression d'eau suffisante. Assurez-vous que le robinet d'eau froide et le robinet d'eau chaude sont correctement raccordés. Nettoyez le filtre à tamis, car il pourrait être obstrué.
	Le capteur de niveau d'eau ne fonctionne pas correctement.	<ul style="list-style-type: none"> Vérifiez le faisceau de fils du capteur de niveau d'eau. Si le code d'information reste affiché, appelez le centre de service.
○○○○○	L'eau ne vidange pas.	<ul style="list-style-type: none"> Assurez-vous que le tuyau de vidange n'est pas gelé ou obstrué. Assurez-vous que le tuyau de vidange est positionné correctement, selon le type de raccordement. Nettoyez le filtre à débris : il pourrait être colmaté. Assurez-vous que le tuyau de vidange va bien droit jusqu'au système de vidange. Si le code d'information reste affiché, appelez le centre de service.
○○○○●	Le couvercle est ouvert.	<ul style="list-style-type: none"> Fermez le couvercle. Consultez les instructions d'installation à la section « Mettre votre laveuse de niveau ». Il pourrait y avoir défaut de verrou du couvercle; essayez de nouveau les étapes correspondantes. Si le code d'information reste affiché, appelez le centre de service.
○○○○○	L'essorage ne fonctionne pas.	<ul style="list-style-type: none"> Assurez-vous que la lessive est répartie uniformément dans la cuve. Assurez-vous que la laveuse est sur une surface plane et stable. Redistribuez la brassée à l'intérieur de la cuve. Si un seul vêtement doit être lavé, comme un peignoir ou une paire de jeans, le résultat de l'essorage final pourrait être insatisfaisant.
●●●●●	L'unité est déséquilibrée lors de l'essorage.	<ul style="list-style-type: none"> Mettez la laveuse de niveau. Consultez les instructions d'installation. Si la situation perdure, appelez le centre de service.
●●●●○	Il y a défaillance du capteur de brassée.	<ul style="list-style-type: none"> Appelez le centre de service.
●●●○○	Il y a défaillance de la détection du niveau d'eau.	<ul style="list-style-type: none"> Appelez le centre de service.

Avis :

- Affichage à DEL :
- Lorsque l'erreur se produit, la DEL Extra Rinse (Rinçage supplémentaire) clignote et la DEL Process (Traitement) indique le code d'erreur.
- arrêt, ● clignotement, ● marche
- En cas d'erreur, l'avertisseur sonore émet un bip de 5 secondes et se répète une fois toutes les 15 minutes. Après 24 heures, la machine s'éteindra automatiquement.
- Quand il y a d'autres erreurs en cours, veuillez essayer de nouveau d'abord, appelez la ligne de service si le problème persiste.

GARANTIE LIMITÉE DE LA LAVEUSE MIDEA

JOIGNEZ VOTRE REÇU ICI. UNE PREUVE D'ACHAT EST REQUISE POUR BÉNÉFICIER D'UN SERVICE SOUS GARANTIE.

Veillez avoir en main les renseignements suivants lorsque vous appelez le service à la clientèle :

- Nom, adresse et numéro de téléphone
- Numéro de modèle et numéro de série
- Une description claire et détaillée du problème
- Une preuve d'achat, y compris le nom et l'adresse du dépositaire ou du détaillant

SI VOUS AVEZ BESOIN D'UNE INTERVENTION DE SERVICE :

1. Avant de communiquer avec nous pour obtenir une intervention de service, veuillez déterminer si votre produit nécessite bien une réparation. Certains problèmes peuvent être résolus sans aucune intervention de service. Veuillez prendre quelques minutes pour consulter la section Dépannage du manuel de l'utilisateur ou la page <http://CanadaSupport@midea.com>
2. Toute intervention de service sous garantie est effectué exclusivement par nos fournisseurs de services autorisés Midea, au Canada.

Service à la clientèle Midea

Au Canada, composez le 1-888-365-2230 ou envoyez un courriel à CanadaSupport@midea.com.

Si vous résidez à l'extérieur du Canada ou des 50 États des États-Unis, communiquez avec votre détaillant autorisé Midea afin de déterminer si une autre garantie s'applique.

GARANTIE LIMITÉE

CE QUI EST COUVERT

GARANTIE LIMITÉE D'UN AN (PIÈCES ET MAIN-D'ŒUVRE)

Pendant un an à compter de la date d'achat, si ce gros appareil électroménager est installé, utilisé et entretenu conformément aux instructions jointes ou fournies avec le produit, Midea America (Canada) Corp. (ci-après « Midea ») paiera les pièces de rechange et la main-d'œuvre comme spécifiées par l'usine pour corriger les vices de matériaux ou de fabrication qui existaient lorsque ce gros appareil électroménager a été acheté, ou remplacera le produit, à sa seule discrétion. En cas de remplacement du produit, votre appareil restera sous garantie pour la durée de la période de garantie restante sur le produit original.

GARANTIE À VIE LIMITÉE (CUVE EN ACIER INOXYDABLE)

Pour la durée de la vie du produit à compter de la date d'achat d'origine, lorsque ce gros appareil électroménager est installé, utilisé et entretenu conformément aux instructions jointes ou fournies avec le produit, Midea paiera les pièces de rechange et la main-d'œuvre comme spécifiées par l'usine pour les composants suivants afin de remédier aux vices non esthétiques de matériaux ou de fabrication qui existaient lorsque ce gros appareil électroménager a été acheté.

- Cuve en acier inoxydable

VOTRE SEUL ET UNIQUE RECOURS DANS LE CADRE DE LA PRÉSENTE GARANTIE LIMITÉE EST DE FAIRE RÉPARER OU REMPLACER L'APPAREIL, COMME SPÉCIFIÉ CI-DESSUS. L'intervention de service doit être fournie par une entreprise de service désignée par Midea. Cette garantie limitée est valide uniquement au Canada ou dans les 50 États des États-Unis et s'applique uniquement lorsque le gros appareil électroménager est utilisé dans le pays où il a été acheté. Cette garantie limitée entre en vigueur à compter de la date d'achat initial par le client. Une preuve de la date d'achat d'origine est requise pour obtenir un service en vertu de la présente garantie limitée.

GARANTIE LIMITÉE

CE QUI N'EST PAS COUVERT

1. Usage commercial, non résidentiel ou par plusieurs familles, ou usage incompatible avec les instructions de l'utilisateur, de l'opérateur ou de l'installateur ayant été publiées.
2. Visites à domicile pour montrer comment utiliser votre produit.
3. Interventions de service pour remédier à une installation ou à un entretien inadéquat(e) du produit, à une installation non conforme aux codes d'électricité ou à l'installation électrique du domicile (p. ex. câblage du domicile, fusibles, etc.).
4. Pièces consommables (c.-à-d. ampoules, piles, filtres à air ou à eau, etc.).
5. Défauts ou dommages causés par l'utilisation de pièces ou d'accessoires Midea non authentiques.
6. Dommages causés par un accident, un mésusage, un usage abusif, un incendie, une inondation, un problème électrique, un cas de force majeure ou une utilisation avec des produits non approuvés par Midea.
7. Réparations à des pièces ou à des systèmes ayant pour but de corriger des dommages ou des vices de produit causés par un entretien, une altération ou une modification non autorisée de l'appareil.
8. Défauts esthétiques, notamment éraflures, bosses/enfoncements, fissures ou tout autre dommage au fini de l'appareil, à moins qu'ils ne soient dus à des vices de matériaux ou de fabrication et soient signalés à Midea dans les 30 jours suivant la date d'achat.
9. Entretien régulier du produit.
10. Produits achetés « tels quels » ou comme produits remis à neuf.
11. Produits cédés par le propriétaire d'origine.
12. Décoloration, rouille ou oxydation des surfaces causée par des environnements caustiques ou corrosifs incluant sans toutefois s'y limiter des concentrations élevées de sel, un haut degré d'humidité ou une exposition à des produits chimiques.
13. Ramassage ou livraison. Ce produit est conçu pour pouvoir être réparé à l'intérieur du domicile.
14. Frais de déplacement ou de transport pour intervention de service dans des lieux éloignés où un technicien autorisé par Midea n'est pas disponible.
15. Retrait ou réinstallation d'appareils inaccessibles ou de dispositifs préinstallés (p. ex., garnitures, panneaux décoratifs, revêtements de sol, armoires, îlots, comptoirs, cloisons sèches, etc.) qui gênent l'entretien, le retrait ou le remplacement du produit.
16. Interventions de service ou pièces pour des appareils dont les numéros de série et de modèle originaux ont été enlevés ou modifiés, ou ne peuvent être facilement identifiés.

Le coût d'une réparation ou d'un remplacement dans le cadre de de telles circonstances exclues sera assumé par le client.

EXCLUSION DE GARANTIES IMPLICITES

LES GARANTIES IMPLICITES, Y COMPRIS LES GARANTIES APPLICABLES DE QUALITÉ MARCHANDE OU D'APTITUDE À UN USAGE PARTICULIER, SONT LIMITÉES À UN AN OU À LA PLUS COURTE PÉRIODE AUTORISÉE PAR LA LOI. Comme certains États et provinces interdisent la restriction de la durée des garanties implicites de qualité marchande ou d'aptitude à un usage particulier, cette limitation pourrait ne pas être applicable à votre cas. Cette garantie vous confère des droits juridiques spécifiques et vous pouvez également jouir d'autres droits qui peuvent varier d'une province à une autre ou d'un État à un autre.

EXONÉRATION DE RESPONSABILITÉ DANS LES DOMAINES NON COUVERTS PAR LA GARANTIE

Midea décline toute responsabilité quant à la qualité ou la durabilité de l'appareil, ou à la nécessité d'une intervention de service ou de réparation sur ce gros appareil électroménager, autre que les engagements énoncés dans la présente garantie. Si vous souhaitez une garantie plus étendue ou plus complète que la garantie limitée fournie avec ce gros appareil électroménager, adressez-vous à Midea ou à votre détaillant pour connaître les modalités d'achat d'une garantie étendue.

LIMITATION DES RECOURS; EXCLUSION DES DOMMAGES ACCESSOIRES ET INDIRECTS

VOTRE SEUL ET UNIQUE RECOURS DANS LE CADRE DE LA PRÉSENTE GARANTIE LIMITÉE EST DE FAIRE RÉPARER L'APPAREIL, COMME SPÉCIFIÉ CI-DESSUS. MIDEA NE PEUT ÊTRE TENUE RESPONSABLE DES DOMMAGES ACCESSOIRES OU INDIRECTS. Comme certains États et provinces interdisent l'exclusion ou la limitation des dommages accessoires ou indirects, ces limitations pourraient ne pas être applicables à votre cas. Cette garantie vous confère des droits juridiques spécifiques et vous pouvez également jouir d'autres droits qui peuvent varier d'une province à une autre ou d'un État à un autre.



make yourself at home