



SUREBONDER®

OPERATING INSTRUCTIONS FOR

9600B Pneumatic Staple Gun

Read all safety rules and instructions carefully
Save this manual for future reference



FOR USE WITH: 1/4" thru 9/16" Narrow Crown Staples
SUREBONDER® No. 4 Heavy Duty Staples
ARROW® T50™ Type Staples

Great for insulation, roofing felt, house wrap, auto & marine vinyl trim,
cabinet backs, small furniture, screen door repair, molding, picture frames and more.

Includes: (1) Allen wrench & (1) Bottle of pneumatic oil

IMPORTANT SAFETY WARNINGS

The safety warnings below cannot cover all possible situations that may occur. These basic safety precautions should always be followed to protect against personal injury to the operator or other personnel in the area, as well as damage to the equipment.

READ AND UNDERSTAND THESE WARNINGS BEFORE USING EQUIPMENT.

Keep staple gun away from children & DO NOT allow children near work area when tool is in use.

DO NOT allow children or untrained personnel to handle this staple gun.

DO NOT operate this staple gun while under the influence of drugs, alcohol or medication that makes you drowsy.

Never point staple guns at yourself or others, always assume that the staple gun is loaded, proceed with caution.

Always wear safety glasses & ear protection while operating this staple gun. The staple gun operator & all personnel in the work area MUST wear safety glasses that protect the front & sides, to avoid eye injury. Ear plugs should be worn to avoid hearing loss or damage.

If the staple gun operator is working in a situation where overhead work will be done, a hard hat MUST be worn. (i.e. on a ladder, stairs, or scaffolding)

Never wear loose clothing or jewelry, can get caught in moving parts of the staple gun. Make sure long hair is covered or pulled back to avoid getting it caught in the staple gun.

Keep hands & all body parts away from rear area of the staple gun (near air hose) to guard against injury. Keep hands & feet away from firing head during use. Keep proper balance & footing at all times, DO NOT overreach.

Never use oxygen, bottled gas or any type of combustible fuel as a power source, can cause explosion / serious injury.

Use an air hose that will withstand at least 150 PSI or 150% of the maximum pressure of the compressor.

Never connect this tool to compressed air if the pressure could exceed 200 PSI, as the staple gun could burst.

Use only clean, dry, regulated compressed air - with pressure not exceeding 100 PSI.

DO NOT use a non-relieving couple with this staple gun, if used, the staple gun could remain charged with air even after disconnecting & would still be able to drive a staple. The staple gun & air hose must have a coupling so that all pressure is removed from the stapler when the coupling is disconnected.

DO NOT depress the trigger or safety mechanism while loading staples, accidental firing can occur. Keep your fingers away from the trigger when not firing staples. Always keep the staple gun pointed downward during loading.

DO NOT use an air hose that is too long, staple gun operator could trip over it. Make sure all connections are tight before using this staple gun.

Always disconnect the staple gun from the air supply before loading staples, to prevent a misfire during connection to the air hose. Also disconnect the staple gun from the air supply before performing any kind of maintenance, clearing a jam, when the staple gun is NOT in use, when moving it to another location or when handing it to another person.

DO NOT place finger on trigger when disconnecting air hose, the staple gun could fire when connected to the air supply. Carry the staple gun by the handle only. NOT by the air hose.

DO NOT drive staples close to the edge of the workpiece, it could split, allowing a staple to fly or ricochet, causing personal injury. Do not try to drive staples at too steep of an angle. Make sure staple gun is held firmly during firing to minimize recoil.

DO NOT drive staples into very hard materials, thin materials or on top of an existing staple, the staple could ricochet, causing personal injury & damage to the drive pin.

Never use the staple gun if it's leaking air, safety mechanism isn't working, staple gun has missing or damaged parts or requires repair. Make sure all screws and caps are securely tightened before using.

Inspect the staple gun before each use to insure that the trigger, safety mechanism & spring are operating properly. Lock the staple gun in a clean, dry storage area between uses.

Only use parts, staples & accessories supplied / recommended by FPC Corporation. Unauthorized parts or fasteners can lead to malfunction / serious injury. Only personnel trained by FPC Corporation can repair this staple gun.

DO NOT modify this staple gun without the written approval from FPC Corporation.

Manufacture assumes no responsibility for consequential or indirect damages from the use of this staple gun. Save this manual & have it available for future operating questions, safety features, proper training & warranty stipulations.

#9600B-400 Seal Kit INCLUDES:	
Diagram #	Description
5	Air Seal
6	O-Ring 11.8 x 2.4
11	O-Ring 26.6 x 2.4
12	O-Ring 21.3 x 3
14	O-Ring 35 x 2
16	Bumper
17	Gasket
21	Air Seal
24	O-Ring 3.5 x 1.6
26	O-Ring 9.8 x 1.9
33	O-Ring 38.5 x 3.1
63	O-Ring 17.3 x 3

#9600B-410 Drive Pin Kit INCLUDES:	
Diagram #	Description
68	Piston Set

#9600B-430 Grip Pad Kit INCLUDES:	
Item #	Description
9600B-430	Grip Pad - Set of 5

#9600B-420 Fastener Kit INCLUDES:	
Diagram #	Description
2	Screw 4 x 20
3	Washer #4
7	Spring
8	Washer
18	E-Ring 35 x 2
20	Nozzle
28	Spring
31	Spring Pin 2.5 x 14
32	E-Ring 3.1 x 2.9
35	Step Pin
37	Spring Pin 2.5 x 22
39	Step Pin
42	Sleeve
45	Compression Spring
47	Spacer
50	Screw 4 x 12
51	Screw 4 x 12 H=6
52	Spring
53	Screw 4 x 6
54	Feeder Spring
55	Pusher
57	Spring Pin 2.5 x 12
62	Spring Pin S350

PARTS SOLD SEPERATELY		
Diagram #	Item #	Description
1	9600B-1	Exhaust Cover
4	9600B-1	Cylinder Cap
9	9600B-9	Firing Valve Piston
10	9600B-10	Piston Stopper
13	9600B-13	Collar
15	9600B-15	Cylinder
19	9600B-19	Body
22	9600B-22	Upper Remote Housing
23	9600B-23	Remote Core
25	9600B-25	Remote Housing
27	9600B-27	Trigger Valve Set
29	9600B-29	Releasing Blade
30	9600B-30	Trigger
34	9600B-34	Tail Cover
36	9600B-36	Catch Guide Plate
38	9600B-38	Handle Grip
40	9600B-40	Torsion Spring
41	9600B-41	Slick Lever
43	9600B-43	Driver Guide Cover
44	9600B-44	Release Catch
46	9600B-46	Driver Guide
48	9600B-48	Upper Mag
49	9600B-49	Magazine Support
55	9600B-55	Pusher
56	9600B-56	Base Plate of Nail Tank
58	9600B-58	Koller
59	9600B-59	Front Part
60	9600B-60	Nail Tank
61	9600B-61	Tail Cover
67	9600B-67	Pad
69	9600B-69	Magazine Set

Replacement kits & parts can be purchased at surebonder.com

Preparing for Use

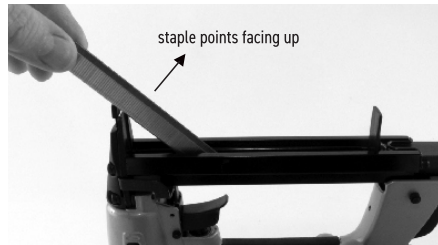
-It is important to store the staple gun at room temperature to preserve the internal rubber seals. If staple gun has been stored in a cold environment, bring it to a warm area and allow it to warm up to room temperature before using.

-If the staple gun is brand new or has been stored for more than 2 months apply 5-6 drops of pneumatic oil (included) into the air inlet before use.

Loading Staples

1. Make sure the staple gun is disconnected from air supply.
2. Only use the proper size and type of staple with this staple gun, as specified under the "Staples" section.
3. Depress the track release lever to release the spring loaded staple magazine. Slide the magazine out (back) as far as it will go.
4. To load staples, turn the staple gun upside down, insert a full strip of staples into the staple magazine with the staple points facing up. (Fig. 1)
5. Slide the staple magazine closed until the track release lever clicks back in place. Closing the staple magazine while staples are loaded engages the spring load mechanism, so it will take slightly more pressure to slide the magazine closed.

Fig. 1 - Loading Staples:
Turn staple gun upside down, insert a full strip of staples in staple magazine with the staple points facing up.



Using this Staple Gun

1. This staple gun is equipped with a contact safety mechanism; the staple gun will not operate unless the contact mechanism is firmly depressed against the surface to be stapled.
2. Grip the body of the staple gun firmly, make sure that the contact mechanism is placed securely against work surface and pull the trigger to drive a staple.
3. Remove finger from the trigger and allow the recoil to remove the staple gun from the surface being stapled.
4. To drive another staple, move the staple gun to the next area on work surface to be stapled and repeat these steps.

After Stapling

1. Always disconnect the air hose from the staple gun.
2. Remove all staples from the staple magazine of the staple gun.
3. Place several drops of pneumatic oil into the air inlet (included in case).
4. Shut off the air compressor and drain any moisture from the compressor tank.
5. Drain the air line filter; clean the filter element, then blow air in opposite direction to remove any excess dirt/debris.
6. Keep lubricator filled with pneumatic oil (included).

Clearing Staple Jams

1. Disconnect the air hose from the staple gun!
2. Unscrew the 4 nosepiece screws to release nosepiece. (Fig. 2)
3. Clean and carefully remove staple strip from the staple magazine.
4. Remove any remaining loose staples from inside the staple magazine, using pliers to grasp the staples, if necessary.
5. Once jammed staples have been removed, reload the staple gun.

Fig. 2 - Removing the Nosepiece:
Unscrew the 4 nosepiece screws to release the nosepiece.



Applications

-Including, but not limited to: insulation, roofing felt, house wrap, auto and marine vinyl trim, cabinet felt, cabinet backs, screen door repair, small furniture, light trim work, molding, picture frames, general staple use and more.

Features

Staple View Window Adjustable Exhaust Easy Drop-In Staple Loading
Rubber Comfort Hand Grip Firing Safety Mechanism

Staples

-The Surebonder® 9600B Pneumatic Staple Gun is designed to use a 20 gauge, narrow crown, heavy-duty wire staple.

-Only use staples with a leg length of: 1/4", 5/16", 3/8", 1/2", 17/32" and 9/16"

-For best results use, **Surebonder® #4 Heavy Duty Staples** (Arrow® T50™ type staples)

Air Supply

-This staple gun is designed to operate on clean, dry, and regulated compressed air between 60 and 100 PSI. DO NOT EXCEED 100 PSI.

-It is preferable to include an air filter, pressure regulator and automatic oiler within 15 feet of the staple gun, if possible.

-An air filter is needed to remove contaminants and moisture that are contained in compressed air. Filtering will significantly prolong the life of the staple gun.

-If an automatic oiler is not installed, place 2-3 drops of pneumatic oil into the staple gun's air inlet at the beginning of each work day and another 2-3 drops of oil after using approximately 3 strips of staples.

-If the staple gun has been stored more than 2 months, apply 5-6 drops of pneumatic oil and then 2-3 drops after using 3 strips of staples.

-If the drive pin is sticking, insure you are properly oiling and raise your PSI to 80 or 85 on your air compressor, NEVER EXCEED 100 PSI.

-If the drive pin is constantly sticking; remove the air line from the staple gun.

-Remove the 4 allen wrench screws, located at the top of the staple gun and just below the air exhaust.

-Carefully remove the top of the staple gun, insure that you do not tear the seal between the top of the staple gun and the body. Once you have removed the cap you will see a round silver disc at the top of the staple gun, this is the top of the drive pin. Pull it up and out of the staple gun.

-Examine the barrel of the staple gun, remove any broken pieces or fragments. Insure there are no broken rings in the cap of the staple gun and that the spring is properly placed.

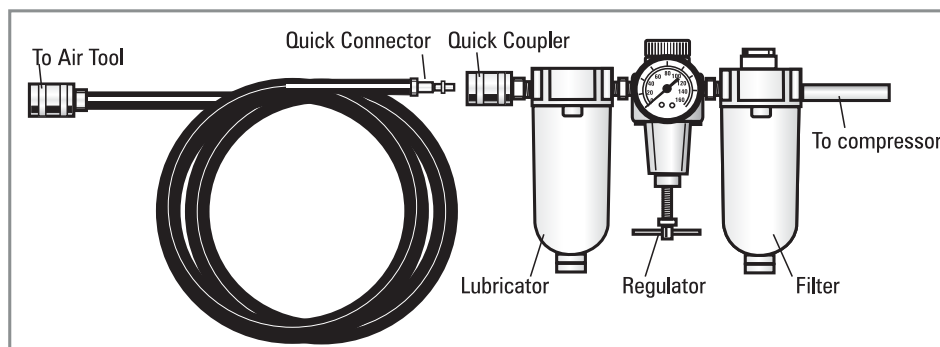
-Replace the drive pin back into the staple gun and line up the blade with the opening at the bottom.

-Replace the cap and equally tighten all 4 allen wrench screws. DO NOT OVERTIGHTEN, that could break or tear the seal.

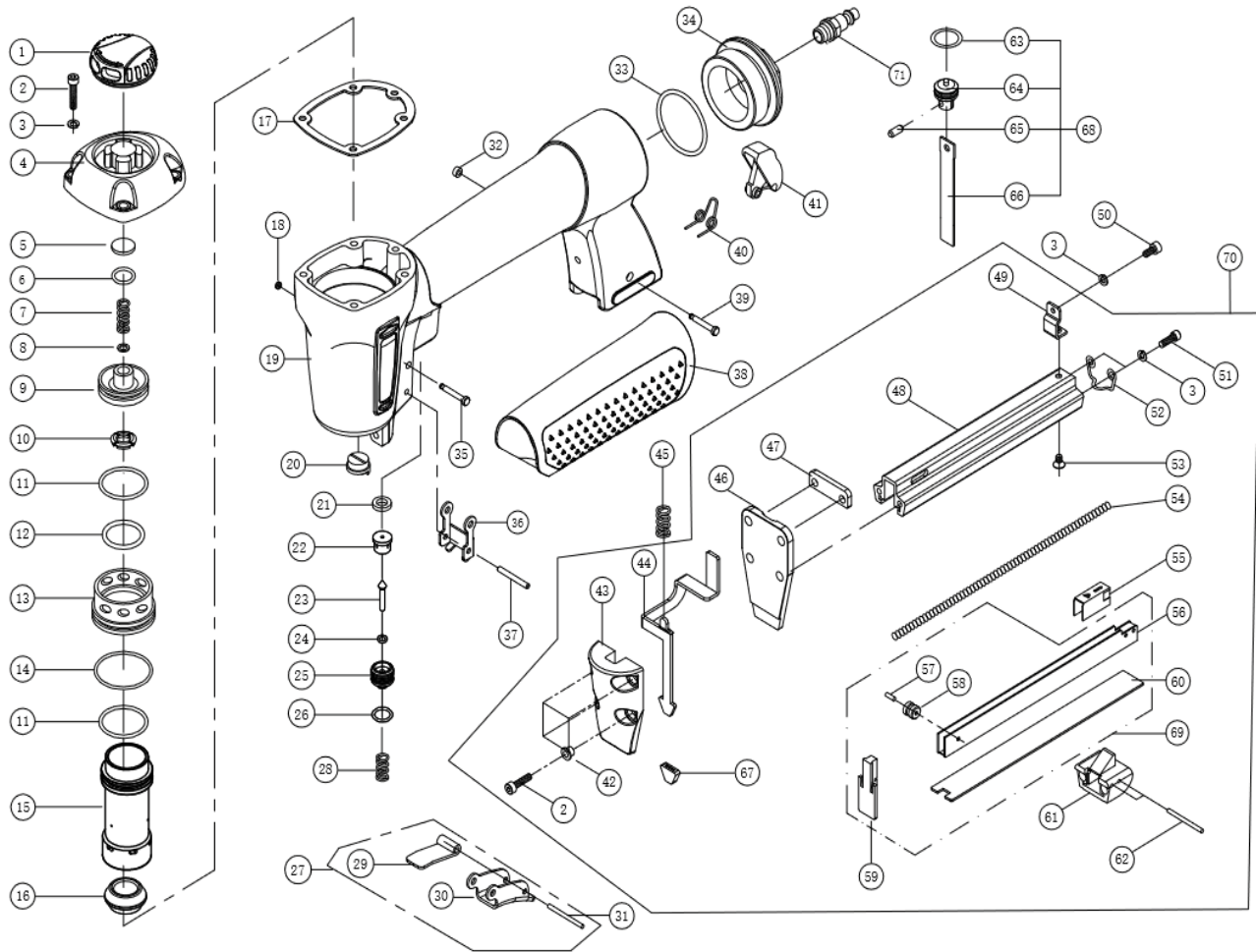
-This staple gun comes factory-equipped with a male quick connector. This staple gun must always be connected to the air supply with a coupling that removes all pressure when it is disconnected.

-All components used with this staple gun (air hose, connectors, regulators, filters, etc.) must be rated at 150 PSI or 150% of the maximum compressor potential, whichever is higher. DO NOT connect this staple gun to a system with maximum potential air pressure greater than 200 PSI.

Air Connection Setup Diagram



PARTS LIST FOR 9600B – PNEUMATIC STAPLE GUN



Specifications

Overall Dimensions:	8.5" x 6.5" x 1.75"
Operating Pressure:	60-100 PSI (do not exceed 100 PSI)
Magazine Capacity:	100 Staples
Air Inlet Size:	3/8" NPT
Weight of Tool:	1.95 lbs.
Staple Specs:	1/4", 5/16", 3/8", 1/2", 17/32", 9/16" leg lengths

 **WARNING:** Cancer and Reproductive Harm - www.P65Warnings.ca.gov





WARRANTY

If you have any problems with this tool please call the manufacturer, FPC Corporation toll-free at 1-800-860-3838 before returning to the place of purchase.

FPC Corporation warrants this tool to be free from defects in material and workmanship, under normal conditions of use and when used in accordance with FPC Corporation operating instructions. The warranty will expire after 90 days from the date of purchase by the user. Within the 90 day warranty period FPC Corporation at its discretion, shall repair or replace the tool. The tool must be returned at the expense of the place of purchase or the user, either within the warranty period or out. Repaired or replaced tools will receive a 60 day warranty.

USER MUST BE USING THE PROPER STAPLES FOR THIS WARRANTY TO BE VALID. WARRANTY IS VOID IF INCORRECT TYPE OF STAPLES ARE/WERE USED.