



Slide out Rangehood

KAMCTRA60CA & KAMCTRA90CA

Safety & Warnings	3
Components	5
Overview	6
Installation	7
Operation	14
Cleaning & Care	14
Troubleshooting	17
Notes	19

Safety & Warnings

This rangehood is a domestic product manufactured and tested in accordance with International Standard IEC 60335-2-31.

Read all safety instructions before use to avoid injury or damage. Keep this user guide for future reference.

- Young children must be supervised to ensure they do not play with the product.
- This product is not intended for use by persons (including children) with reduced physical, sensory or mental capabilities, or lack of experience and knowledge, unless supervised by someone responsible for their safety.
- Always switch off the rangehood before performing any maintenance to prevent electric shock.
- Never carry out flambe cooking under the rangehood.
- Do not use the rangehood above barbecues.
- This product is not designed for outdoor or external installation.
- Grease filters must be removed and cleaned at least every four weeks to reduce the risk of fire.
- Do not discharge exhaust air into a heating flue that may carry combustion products from other sources.
- Do not discharge exhaust air into a wall cavity unless it is specifically designed for that purpose.
- Ensure adequate room ventilation when using the rangehood alongside gas or fuel-burning appliances.
- Always cover lit gas burners with pots or pans when the rangehood is in use.
- Always turn off gas burners before removing pots or pans.
- Do not leave lit gas burners exposed beneath the rangehood due to fire risk.
- This appliance is intended to be used in household and similar applications such as
 - Staff kitchen areas in shops, offices and other working environments
 - Farm houses
 - By clients in hotels, motels and other residential type environments
 - Bed and breakfast type environments

Electrical connection

- Before connecting to the mains supply, check that the voltage matches the rating label inside the rangehood.
- Installation must comply with local building and electrical regulations. If the power cord is damaged, it must be replaced by Kogan.com or a similarly qualified person to avoid a hazard.

Installer warnings

- Minimum clearance from the cooktop to the rangehood must be maintained, as specified in the installation diagrams.
- If you are not confident with the installation, consult a qualified trade professional.

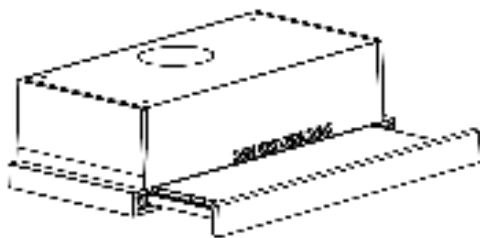
To ensure optimal air extraction:

- Keep the exhaust duct short and straight.
- Do not reduce or restrict the duct diameter.
- Minimise the number of bends in the duct.
- If using flexible ducting, install it with the helix fully extended to reduce pressure loss.
- Failure to follow these guidelines will reduce performance and increase noise levels.
- Exhaust air must not be discharged into a wall cavity or heating flue unless specifically designed for that purpose.

Note:

In some installations, the telescopic exhaust cover may need to be cut to length. Use sharp tin snips or a fine-tooth hacksaw blade, taking care not to distort or dent the exhaust cover.

Components



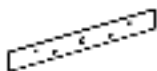
Range Hood Body



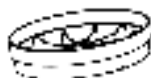
Mesh Filter (x2)



Outler Cover



Recycling Cover



Charcoal Filter
(x2)



Damper (x2)



Outler Adaptor



Screws (x4)

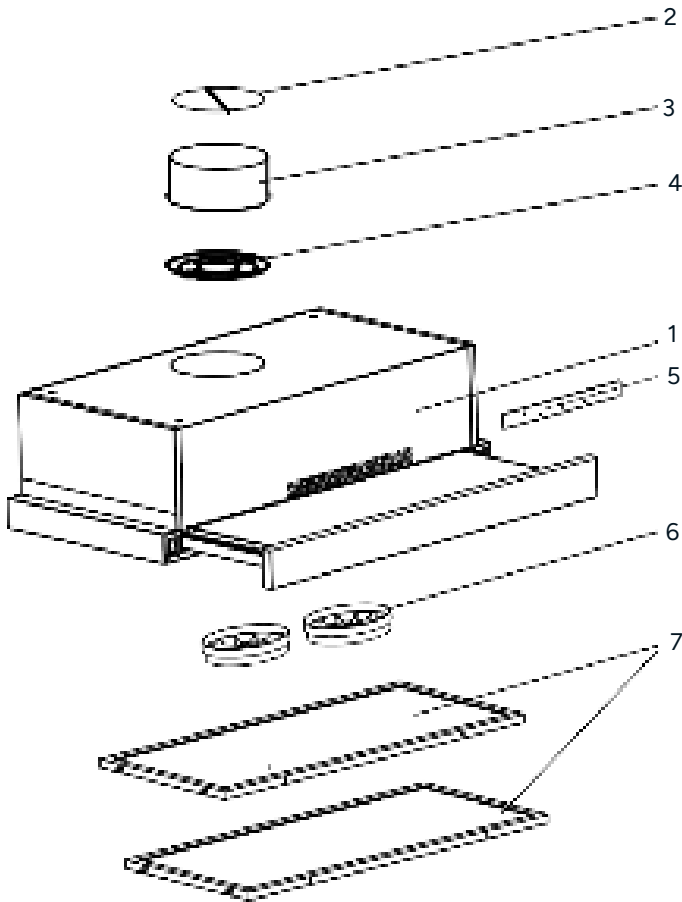


Washers (x4)



User Guide

Overview

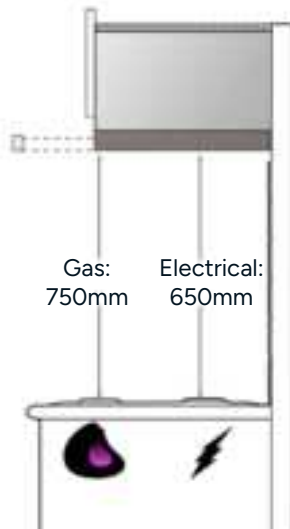


- 1 Range Hood Body (controls & lights)
- 2 Damper (flaps)
- 3 Outlet Adapter
- 4 Outlet Cover
- 5 Recycling Cover
- 6 Charcoal Filters (optional)
- 7 Mesh Filters

Installation

Before Installation

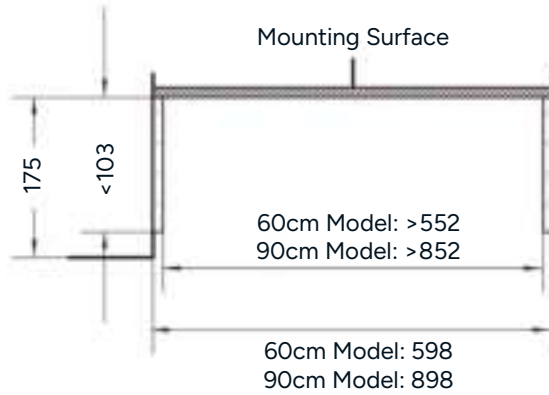
- Before installing the appliance, record the model and serial number from the rating plate located on the bottom of the appliance casing.
- The hood must be mounted onto the cabinet's mounting board. Once installed, the distance between the cooktop and the rangehood must be at least 650mm above electric burners or 750mm above gas or mixed-fuel burners. Refer to image below.



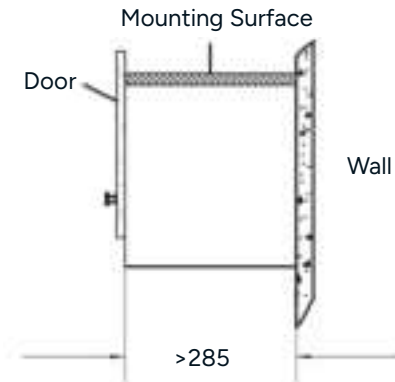
Location Diagram

Before installation, ensure the location complies with the following dimensions. All dimensions shown in millimeters.

Front View



Side View

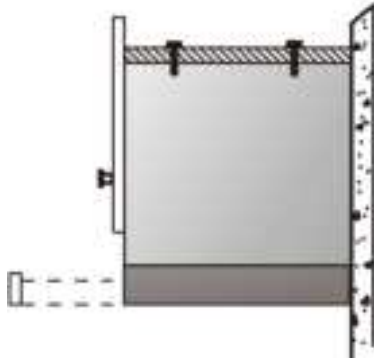


After Installation

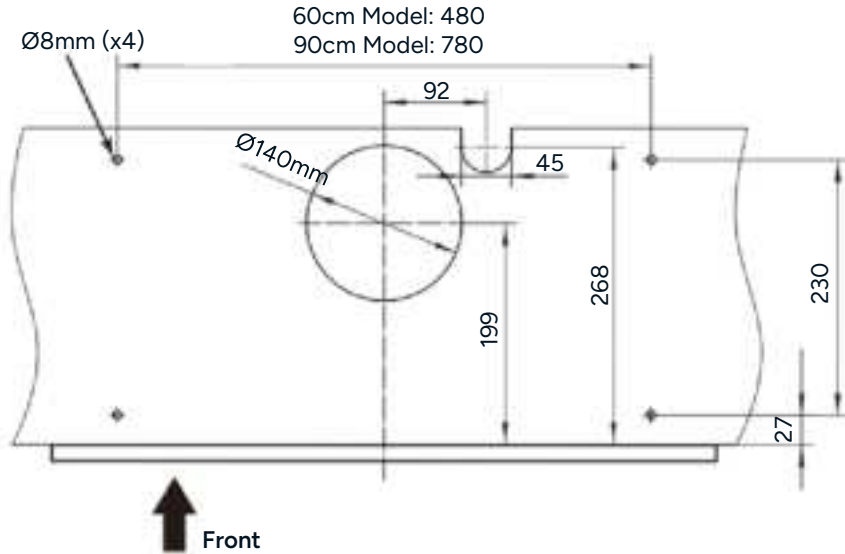
Front View



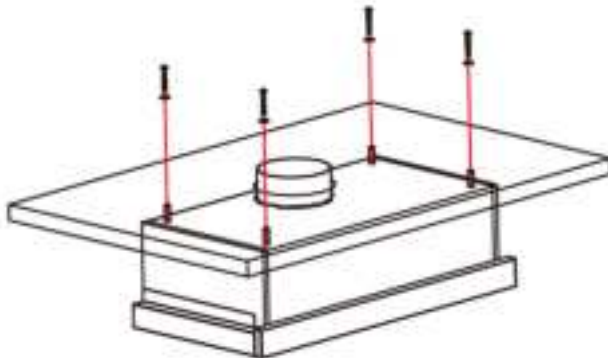
Side View



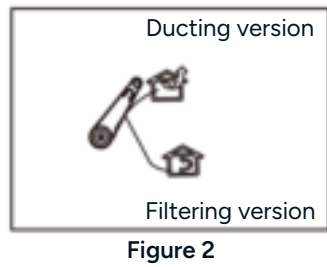
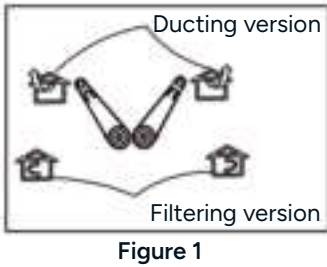
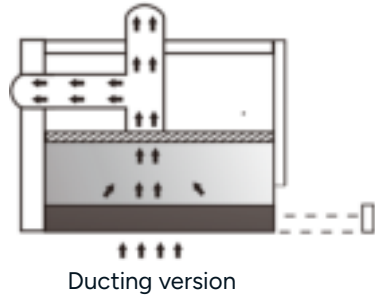
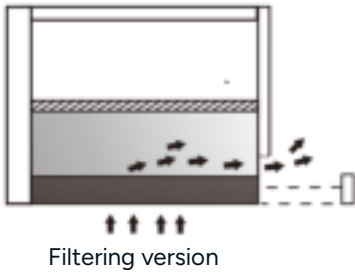
1. Drill a $\text{\O}140\text{mm}$ diameter hole for the exhaust outlet. Also, drill 4 $\text{\O}8\text{mm}$ mounting holes and an opening for the power cord, according to the dimensions shown below.



2. Insert the 4 mounting screws with the four mounting gaskets to secure the hood to the cabinet.



3. The hood can be installed in either the filtering version or the ducting version. Refer to the diagrams below.
4. Refer to Figures 1 and 2 for the correct positioning of the circulation air door.

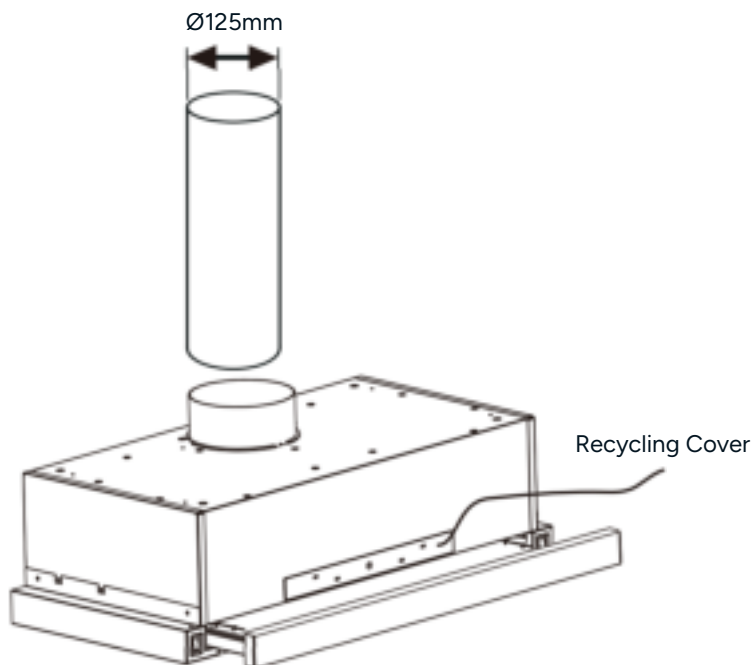


Ducting Version

In the ducting version, the hood extracts air from the kitchen that is saturated with fumes and odours. The air passes through the grease filters and is expelled outside through an outlet pipe (not supplied). Charcoal filters are not required in this version. Decide on the installation type (ducting or filtering) before beginning the installation. For optimal performance, it is recommended to use the ducting version if possible.

Note:

The recycling cover must be installed on the hood body when using the ducting version.

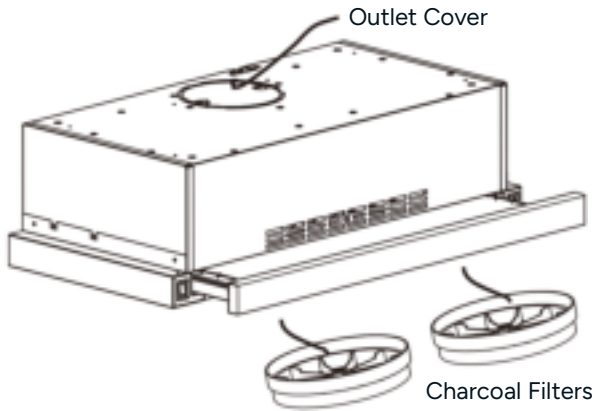


Filtering Version

In the filtering version, the hood draws in kitchen air saturated with fumes and odours. The air is purified through grease filters and charcoal filters, then recirculated back into the room as clean air. To maintain performance, the charcoal filters must be replaced periodically.

Notes:

- Charcoal filters must be used in the filtering version.
- The recycling cover must be removed in the filtering version.
- The outlet cover must be installed on the hood body in the filtering version.

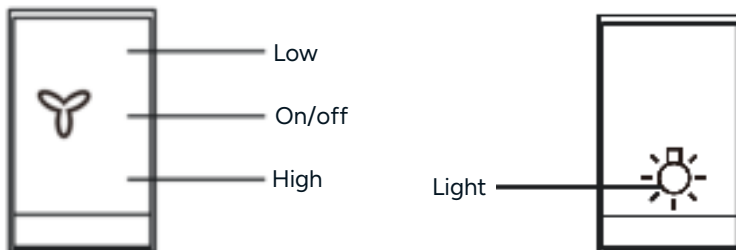


Electrical Connection

- All electrical wiring must only be performed by a licensed professional in accordance with relevant electrical codes and standards.
- Before installation, turn off power at the main switch to prevent electrical hazards.
- If the power cord is damaged, it must be replaced by Kogan.com, an authorised service agent, or a qualified electrician to avoid safety risks. Cease use immediately and contact **help.Kogan.com** for support.
- Only use the original power plug and cord supplied with the appliance. Do not use extension cords or alternative power sources.

Operation

Controls



Cleaning & Care

Always disconnect the product from the power supply before performing any maintenance.

Cleaning the Range Hood

- Clean the exterior of the rangehood with a damp cloth and a solution of water and mild detergent.
- Do not use corrosive, abrasive, flammable cleaners, or products that contain bleach.
- Never insert sharp or pointed objects into the motor's protective grille.
- Only clean the filters with a damp cloth and mild detergent.
- It is essential to clean the unit and replace the charcoal filters at the recommended intervals. Failure to do so may result in grease build-up, posing a fire hazard.

Mesh Filters

Frequency: Every 3 weeks.

The mesh filters are designed to capture grease particles generated during cooking. They must always be used, whether the rangehood is set to ducting or filtering mode.

1. To remove the metal grease filters:
2. Pull down the latch on the filter.
3. Remove the filter from the hood body.



Replace Light

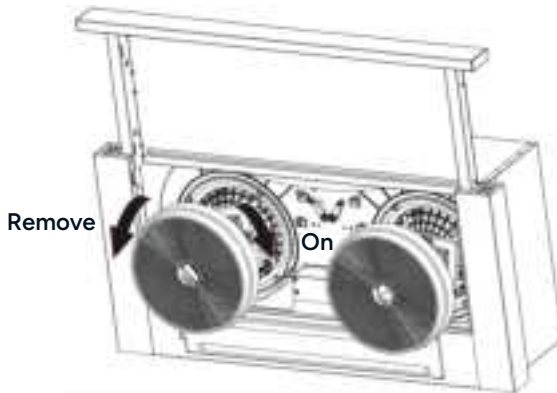
1. Remove the lamp cover.
2. Turn the bulb anticlockwise to loosen and remove it.
3. Replace it with a 2W E14 LED bulb.



Charcoal Filter (not applicable for ducted mode)

Frequency: Every 3 months.

- Charcoal filters are only required for use in filtering (recirculating) mode.
 - These filters cannot be cleaned or reused.
1. Ensure the rangehood is switched off and disconnected from the power supply before starting.
 2. Slide out the front panel
 3. Remove the mesh filters.
 4. Pull down the latch and remove the filters to expose the internal fan/motor housing.
 5. Locate and remove old charcoal filters. The charcoal filters are usually mounted on either side of the motor casing or directly clipped to the fan housing.
 6. Twist them counterclockwise or unclip them depending on the fixing type.
 7. Align the new charcoal filters with the fan housing.
 8. Secure by twisting clockwise or snapping them into place until firmly fixed.



Note:

Image is for illustrative purposes only. The actual product or component may differ.

Troubleshooting

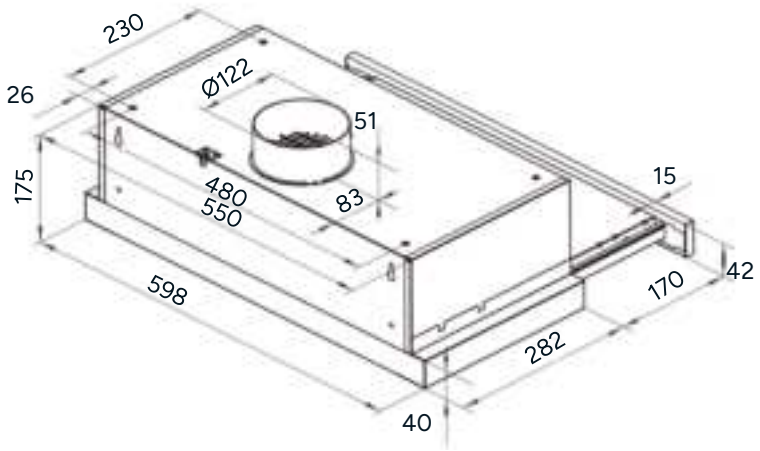
Problem	Solution
The range hood will not start	<ul style="list-style-type: none">• Check that the range hood is connected to an electrical supply.• Check that a fan speed has been selected.
The rangehood is not working	<ul style="list-style-type: none">• Check that the fan speed is set high enough for the task.• Ensure the filters are clean.• The kitchen is adequately vented to allow the entry of fresh air.• If set up for recirculation, check that the charcoal filter is still effective.• If set up for extraction, check that the duct and outlets are not blocked.• Do not operate cooktop without pots/pans.• Do not flambe under cooktop.

Note:

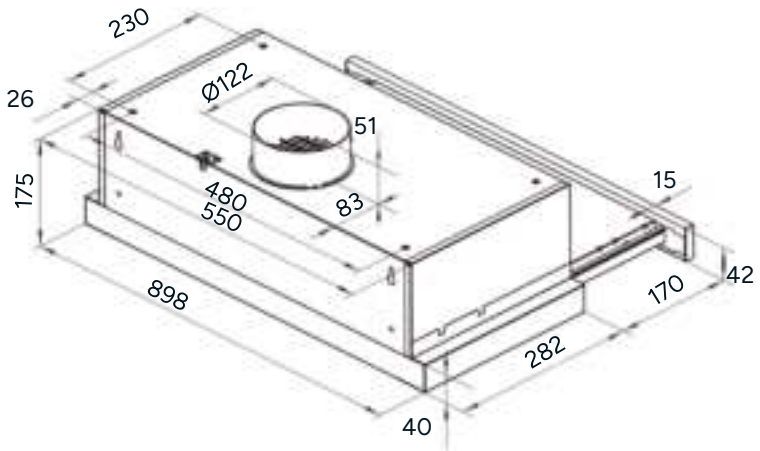
This product is fitted with a safety cutout device. If the rangehood is installed too close to the cooker top, flambe cooking, operating the cooktop without cooking utensils and blocked filters may activate the safety cutout device. If the hood stops during operation, correct the faults and allow time for the safety cutout device to reset. Then the rangehood will function correctly.

Dimensions

60cm Model



90cm Model



Notes

Need more information?

We hope that this user guide has given you the assistance needed for a simple set-up.

For the most up-to-date guide for your product, as well as any additional assistance you may require, head online to [help.Kogan.com](https://help.kogan.com).

