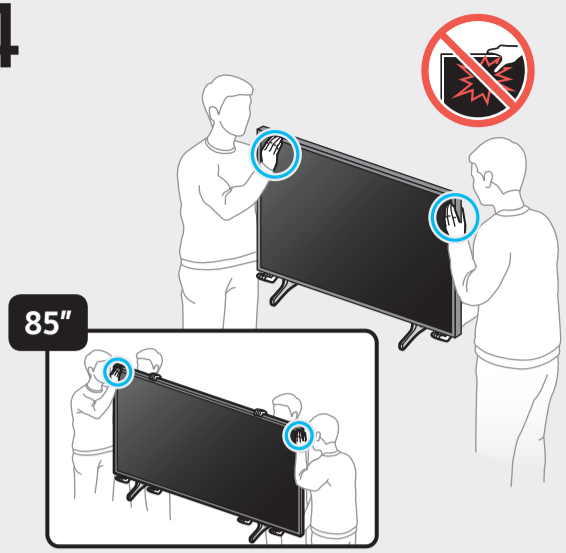
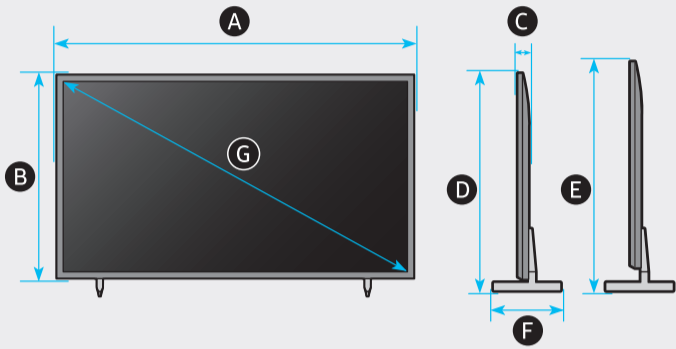
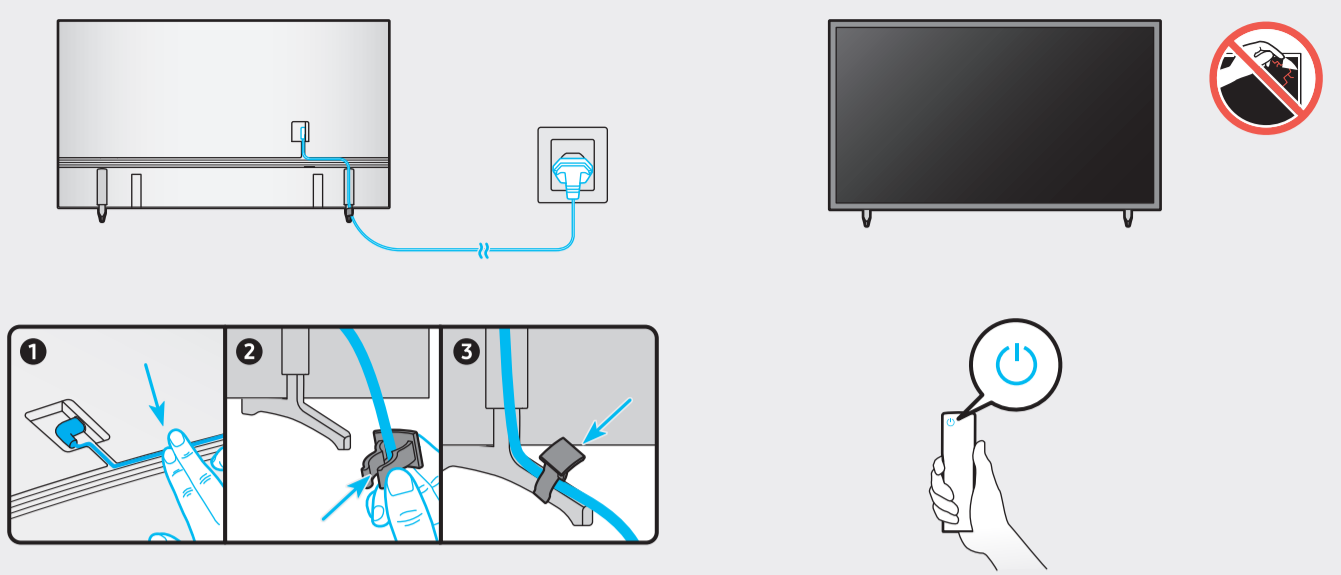


4

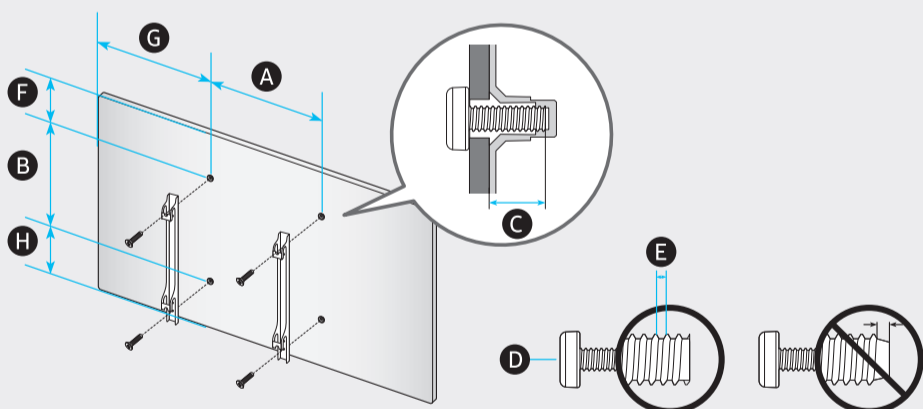
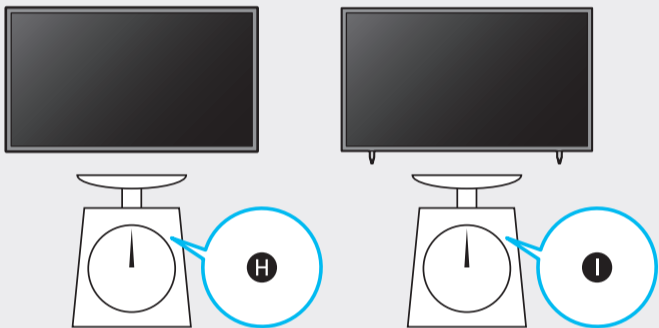


5



	A	B	C	D	E	F	G	H	I
QN75Q6*A	66.0 inches (1676.7 mm)	37.8 inches (960.3 mm)	1.0 inches (26.6 mm)	39.6 inches (1005.5 mm)	40.6 inches (1030.5 mm)	11.4 inches (340.4 mm)	74.5 inches	70.8 lbs (32.1 kg)	73.4 lbs (33.3 kg)
QN85Q6*A	74.8 inches (1900.9 mm)	42.8 inches (1086.1 mm)	1.1 inches (26.9 mm)	44.5 inches (1129.1 mm)	45.4 inches (1154.1 mm)	15.6 inches (396.6 mm)	84.5 inches	91.5 lbs (41.5 kg)	96.1 lbs (43.6 kg)

\*: 0-9, A-Z



	VESA A x B (mm)	C (mm)	D x 4	E (mm)	F (inches)	G (inches)	H (inches)
QN75Q6*A	400 x 400	11-13	M8	1.25	10.1	25.0	11.8
QN85Q6*A	600 x 400				7.5	25.5	19.3

\*: 0-9, A-Z

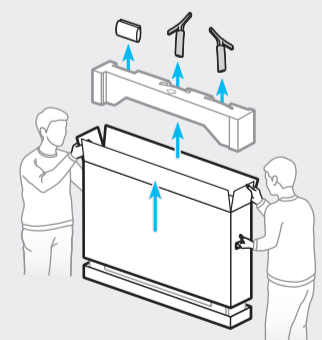
SAMSUNG

# QUICK SETUP GUIDE

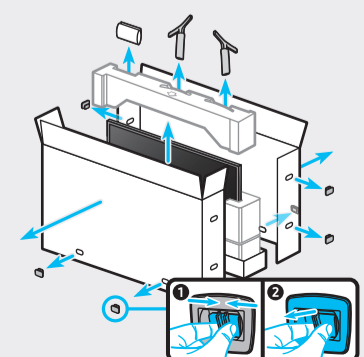


Scan this QR code with your smart phone to see helpful videos.

75"

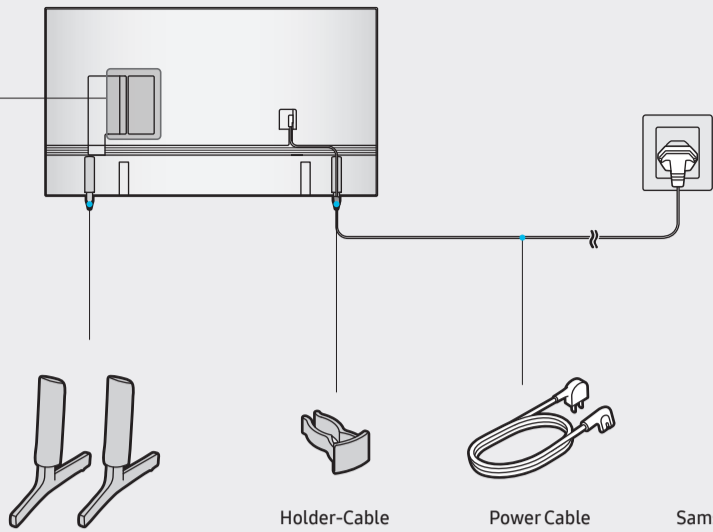


85"





		USB +G
		OPTICAL
		HDMI (eARC)
		HDMI
		LAN
		ANT



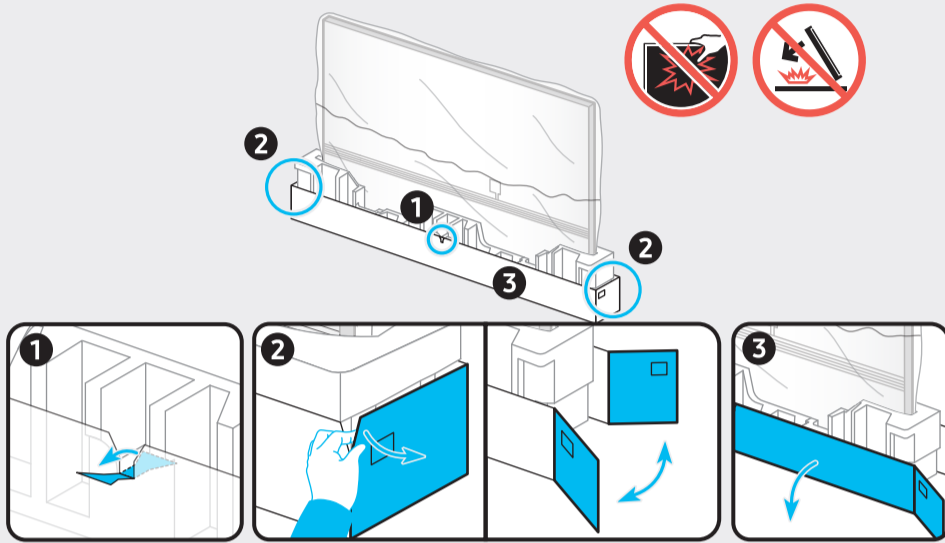
Holder-Cable

Power Cable

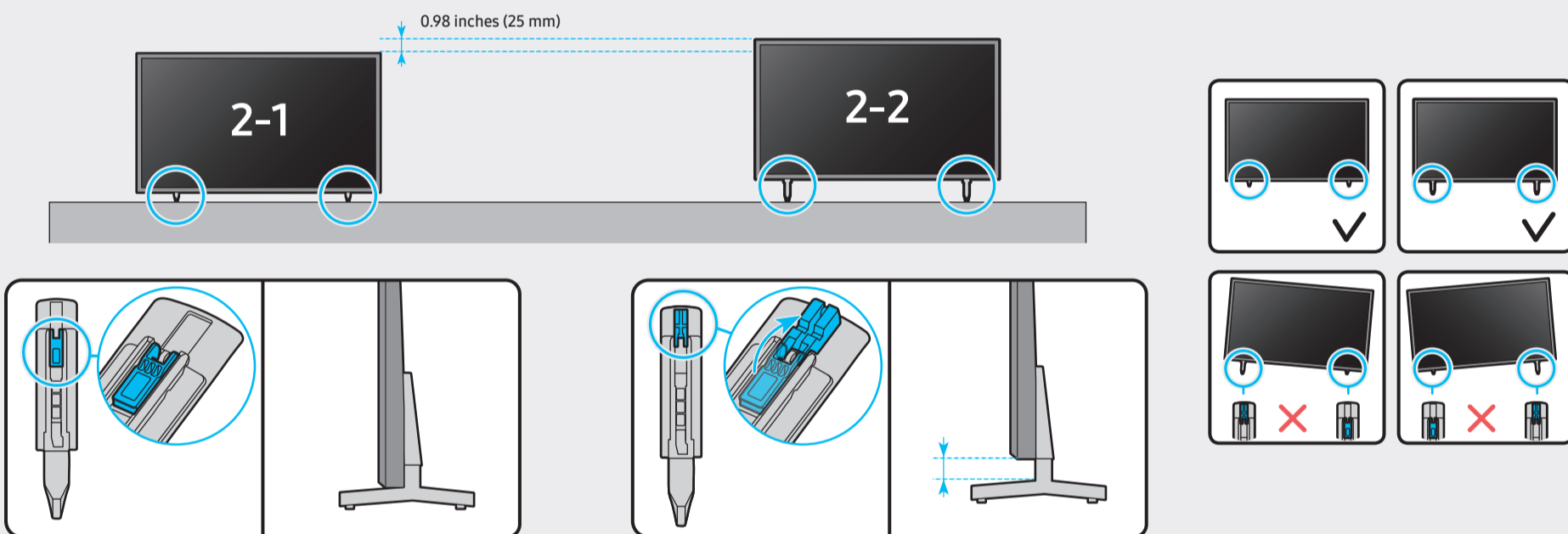
Samsung Smart Remote

User Manual / Regulatory Guide

# 1



# 2



# 3

