

FILE NO.

## SERVICE MANUAL LCD Television

**Model No. LCD-32S10  
LCD-42S10  
LCD-42S10-HD**

(Whole Asia)

**Service Ref. No. LCD-32S10-00  
LCD-42S10-00  
LCD-42S10-HD-00**



### Contents

Safety Notice .....	2
Specifications .....	3
Chassis Block Diagrams .....	4
CPU Block Diagrams .....	5
On-screen Service Menu system .....	6
Service Adjustments .....	7
Mechanical Disassembly .....	8-13
Chassis Electrical Parts List .....	14-62
PCB Assemble .....	63-64
Printed Wiring Board .....	65-70
Schematic Diagram .....	71-73

**Product Code: 32S10: 1-130-131-16  
42S10: 1-130-132-16  
42S10-HD: 1-130-132-17**

### Original Version

**Chassis Series: UH3-B**

Give complete "SERVICE REF. NO." for parts order or servicing. It is shown on the rating plate at the cabinet back of the unit.

This T.V. receiver will not work properly in foreign countries where the television transmission system and power source differ from the design specifications. Refer to the specification table.

# Safety Notice

---

## Safety Precautions

The following precautions must be observed.

1: Comply with all caution and safety-related notes provided on the cabinet back, cabinet bottom, inside the cabinet or on the chassis.


2: When replacing a chassis in the cabinet, always be certain that all the protective devices are installed properly, such as, control knobs, adjustment covers or shields, barriers, etc..

**DO NOT OPERATE THIS TELEVISION WITHOUT THE PROTECTIVE SHIELD IN POSITION AND PROPERLY SECURED**


3: Before replacing the cabinet cover, thoroughly inspect the inside of the cabinet to see that no stray parts or tools have been left inside.

Before returning any television to the customer, the service personnel must be sure that it is completely safe to operate without danger of electrical shock.

## Product Safety Notice

Product safety should be considered when a component replacement is made in any area of a receiver. Components indicated by mark  in the parts list and the schematic diagram designate components in which safety can be of special significance.

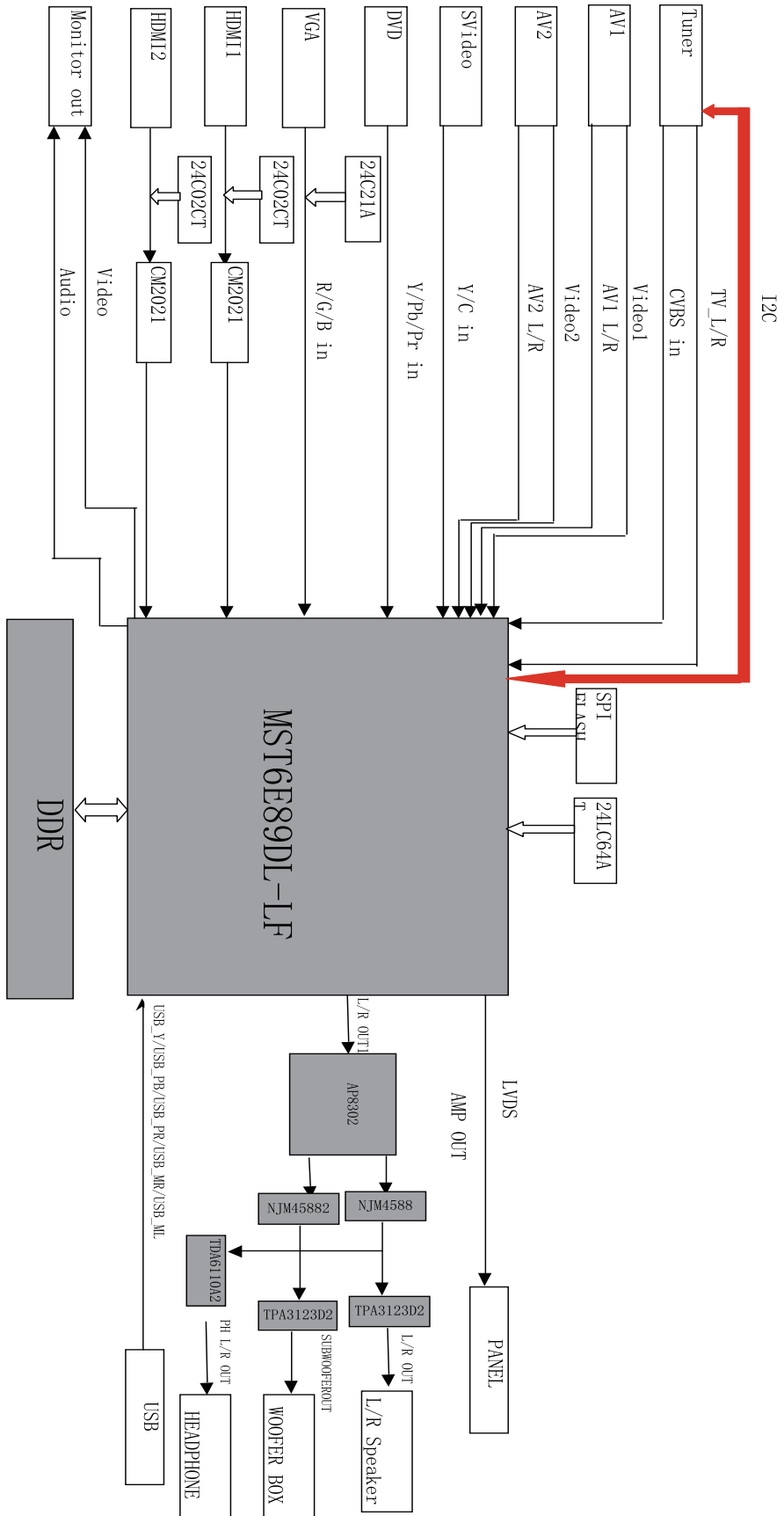
It is particularly recommended that only parts designated on the parts list in this manual be used for component replacement designated by mark .

No deviations from resistance Wattage or voltage ratings may be made for replacement items designated by mark .

# Specifications

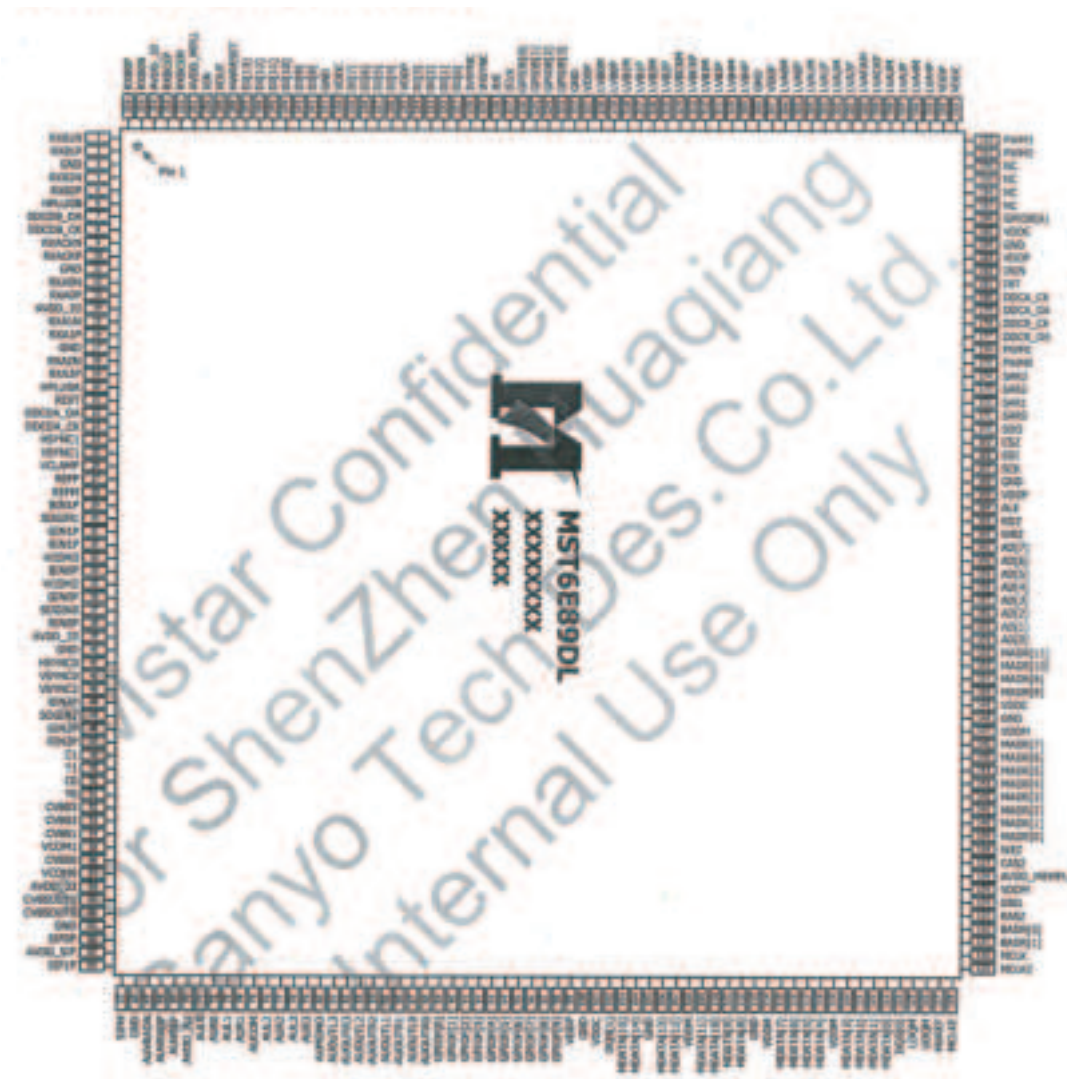
Model	LCD-32S10/LCD-42S10/LCD-42S10-HD
Maximum Visible Range	LCD-32S10: 80cm ; LCD-42S10/-HD: 107cm (Screen Diagonal Size)
Picture Resolution	1366(H) x 768(V)
Viewable Angle(L <sub>o</sub> /3)	L/R: +/- 89D, U/D: +/- 89D
Brightness	500cd/m <sup>2</sup>
Contrast	LCD-32S10/LCD-42S10: 1200:1 LCD-42S10-HD: 1500:1
Definition	RF Analog Signals: Horizontal≥350; Vertical≥400
Degree of Colour Coverage	≥30%
Mobile Trailer Time	LCD-32S10/LCD-42S10: 8ms LCD-42S10-HD: 6.5ms
Voltage	AC110-242V 50/60Hz
Power Consumption	LCD-32S10: 144W ; LCD-42S10: 187W ; LCD-42S10-HD: 250W
Power Management	VESA DPMS
Colour System	PAL/NTSC/NTSC4.43/SECAM
Sound System	D/K, I, M, B/G
Channel Coverage	- VHF: E2-E12, R1-R12, K1-K9, J1-J12, A2-A13 - UHF: 21-69, A14-A69, J13-J62 - CATV: S1-S41, X, Y, Z, Z+1, Z+2
Aerial input impedance	75Ω
Speaker Size	Mains: 4.5cm x 13cm x 2pcs Woofer: 8cm x 8cm x 1pcs
Sound speciality	Maximum Output Power is 10W+10W+10W Total Harmonic Distortion(THD)≤10%
Input terminals	VGA Terminal : RGB X 1 HDMI terminal: x2 Audio: Mini stereo jack x 1 (Audio input of VGA) Video: Composite video terminals x1 (1Vp-p, 75Ω) S-VIDEO input: x 1 (DIN 4-pin, Y/C separate signal input) DVD input: Component video input Y, CB/PB, CR/PR input x 1 Audio input: (R/L) x 4 (400mVrms) USB input (Just for LCD-42S10-HD): Different value input D+, D- MINI USB input (Just for LCD-42S10-HD): Different value input D+, D-
Output terminals	Video Monitor Output: x1 (1Vp-p, 75Ω) Audio Monitor Output: R/L x 1 (400mVrms, ≤1KΩ) Headphone Jack : Mini stereo jack x1
Dimensions (Width x Height x Depth)	LCD-32S10: 790mm x 579mm x270mm (Including Stand) LCD-42S10/-HD: 1012mm x 699mm x270mm (Including Stand)
Net Weight (Including Stand)	LCD-32S10: < 14.1 KG ; LCD-42S10/-HD: < 24.6 KG
Operating Environment Operating Temperature Operating Humidity Storage Temperature Storage Humidity	0°C~40°C (32°F~104°F) 20~80% -10°C~50°C (14°F~122°F) 20~80%

# Chassis Block Diagrams



# CPU Block Diagrams

## MST6E89DL



# On-screen Service Menu System

## General

This set has an On-screen Menu system included in the CPU that allows remote operation for most of the service adjustments.

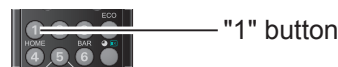
## On-screen Service Menu System

### 1) How to enter the Service Menu

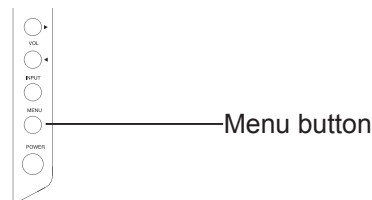
1. Press MENU button on SIDE controls, MENU will display.
2. Press and hold MENU button on SIDE controls and press "1" button on remote controls. SERVICE MENU will display.



Remote controls



SIDE Controls



### 2) How to select the service section and service item and change data value:

To select service section: Press the Cursor ▲ or ▼ button on the remote control hand set, and press the Cursor ◀ or ▶ button to enter the SUB menu.

To change data value: Select service item by pressing the Cursor ▲ or ▼ button, and change data value by pressing the Cursor ◀ or ▶ button.

### 3) Exit from the service menu

Press the MENU button repeatedly or turn off the TV set by pressing the POWER ON/OFF button.

# Service Adjustments

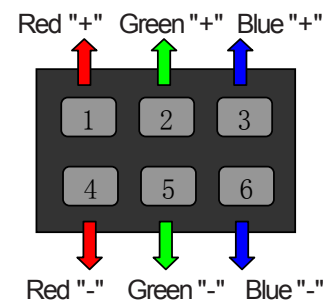
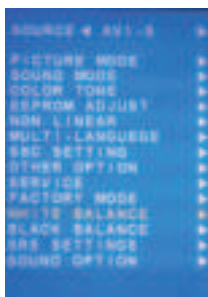
## Important Notice:

Do not attempt to adjust service adjustments not listed below otherwise it may cause loss of performance and for correct operation.

## White Balance Adjustment

### How to adjust White Balance Adjustment

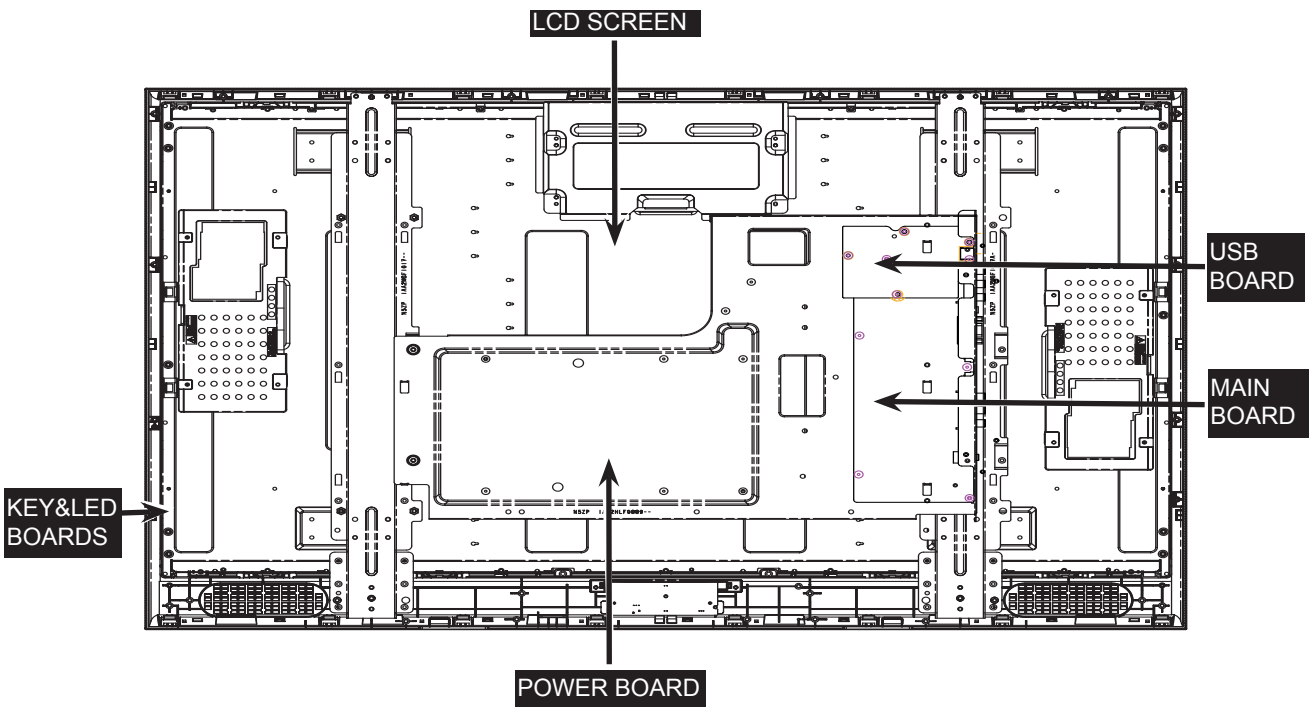
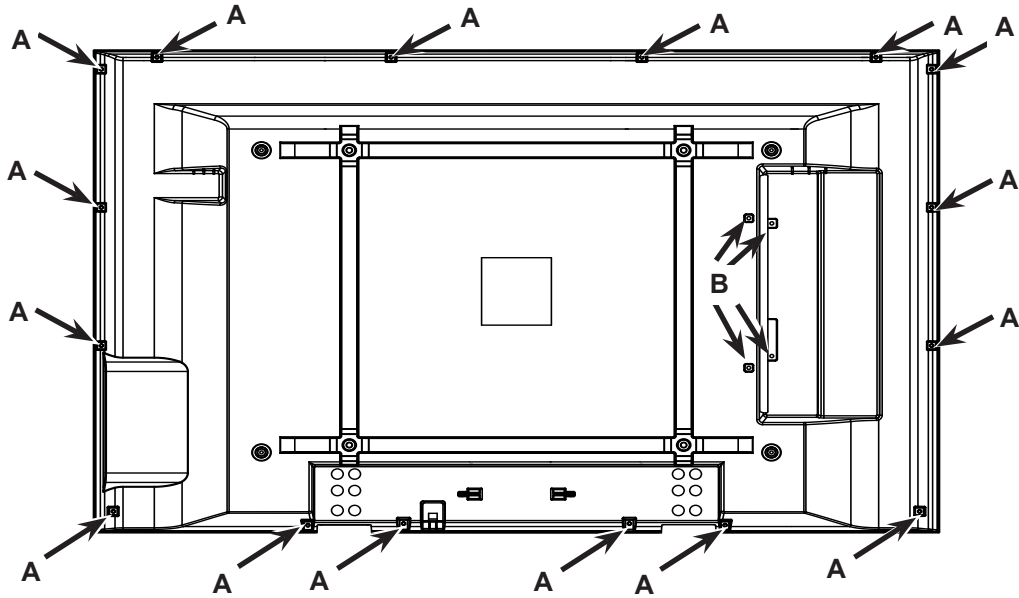
1. Input a white pattern(80%) to the composite input terminal.
2. Set the television to following conditions:
  - Picture mode: standard
  - Colour temperature: normal
  - Pre-heading time: more than 10 minutes
3. Enter the service menu, and select WHITE BALANCE with ▲ or ▼ key.
  - Press ◀▶ to enter the White Balance Adjustment , press corresponding number key to adjust R,G,B.
3. After adjustment, confirm white balance again by normal picture.



# Mechanical Disassembly (LCD-42S10-HD)

## (一) Cabinet Back Removal

1. Remove screws A, B.
2. Take the Cabinet Back off.  
(A:16pcs, B:4pcs)

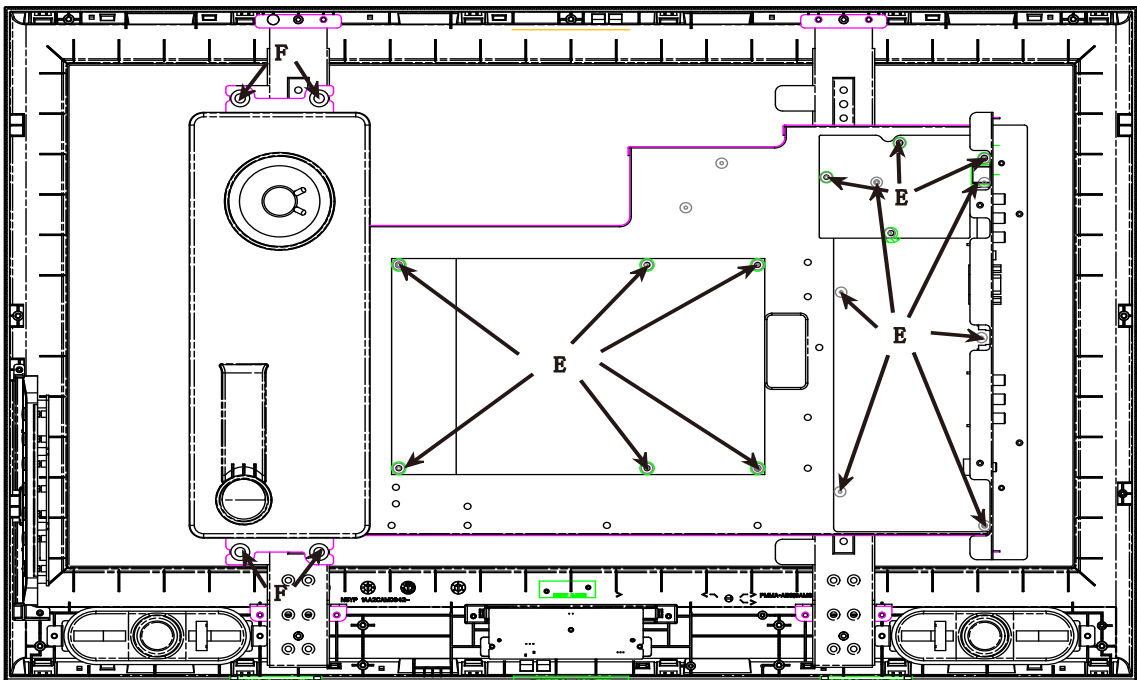
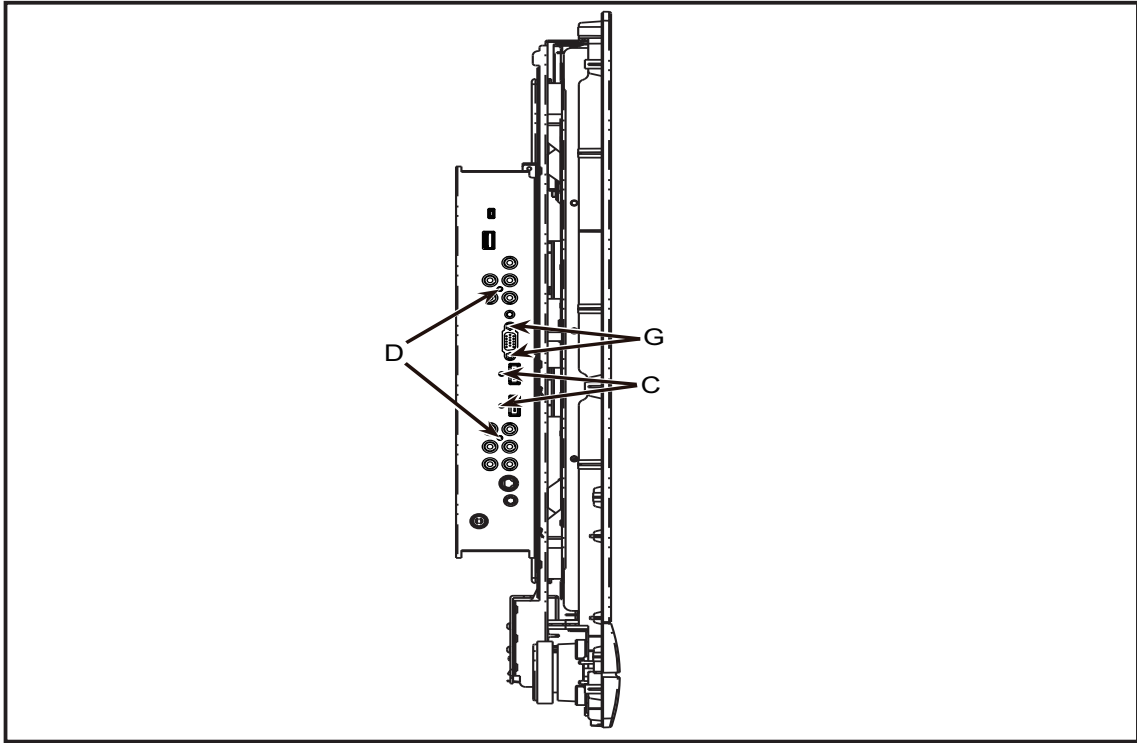




# Mechanical Disassembly(LCD-42S10-HD)

## (二) Chassis and Terminal Board Removal

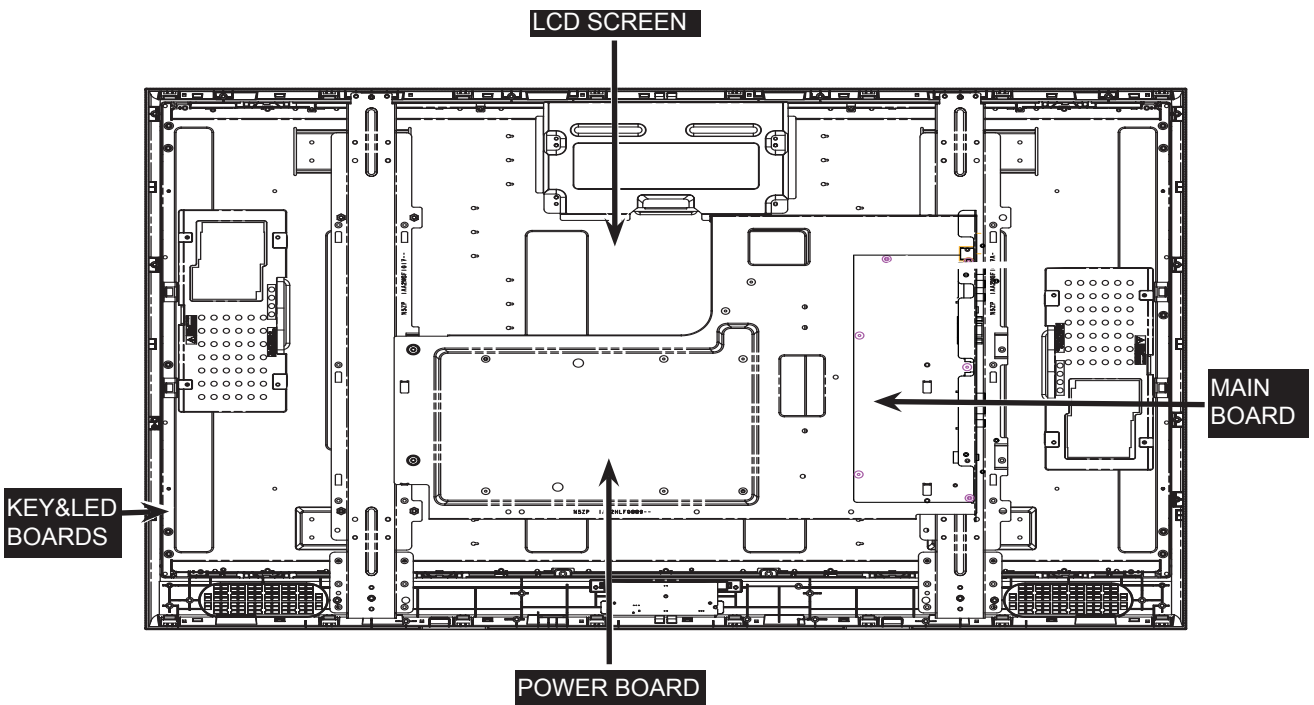
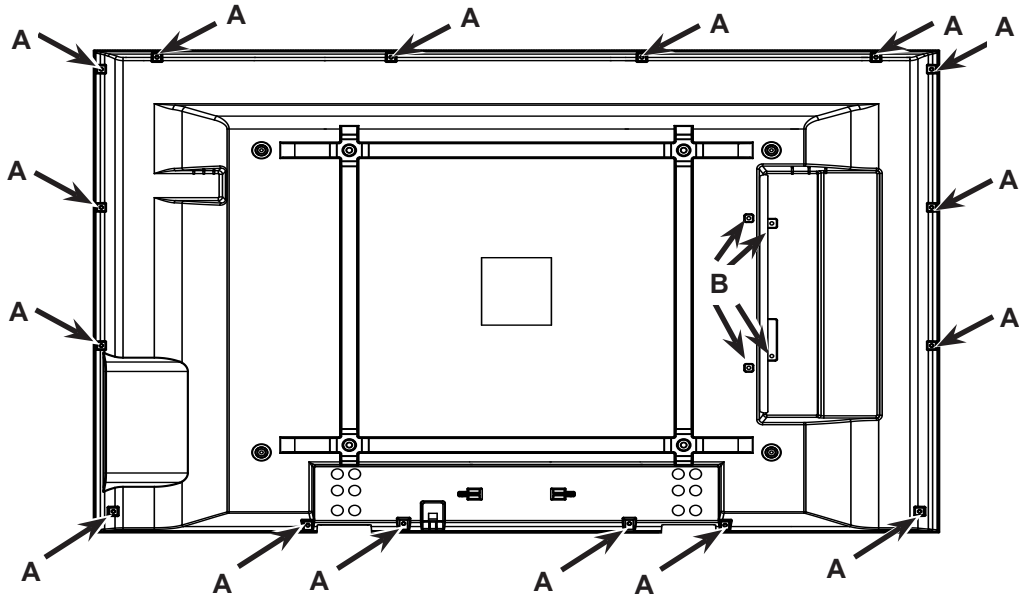
1. Remove screws C, D and G, take the terminal board off.
  2. Remove Screw E, F take Power Board, Main Board, Usb Board and WOOFER off.
- (C: 2pcs, D: 2pcs, E: 15pcs, F: 4pcs, G: 2pcs)



# Mechanical Disassembly (LCD-42S10)

## (一) Cabinet Back Removal

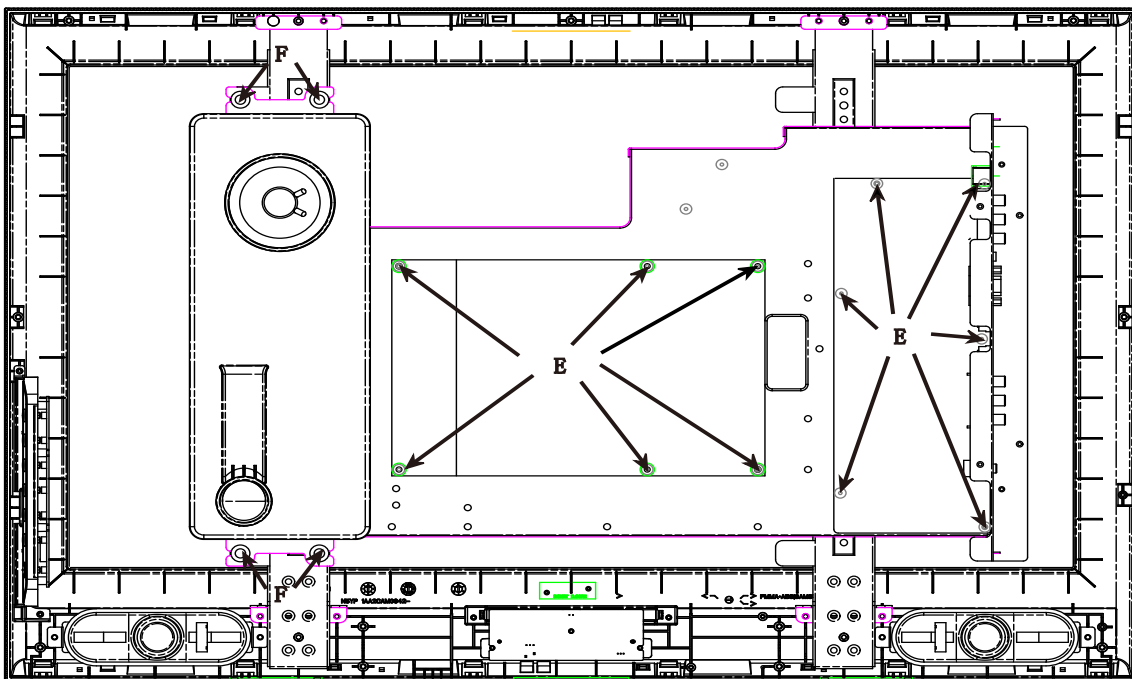
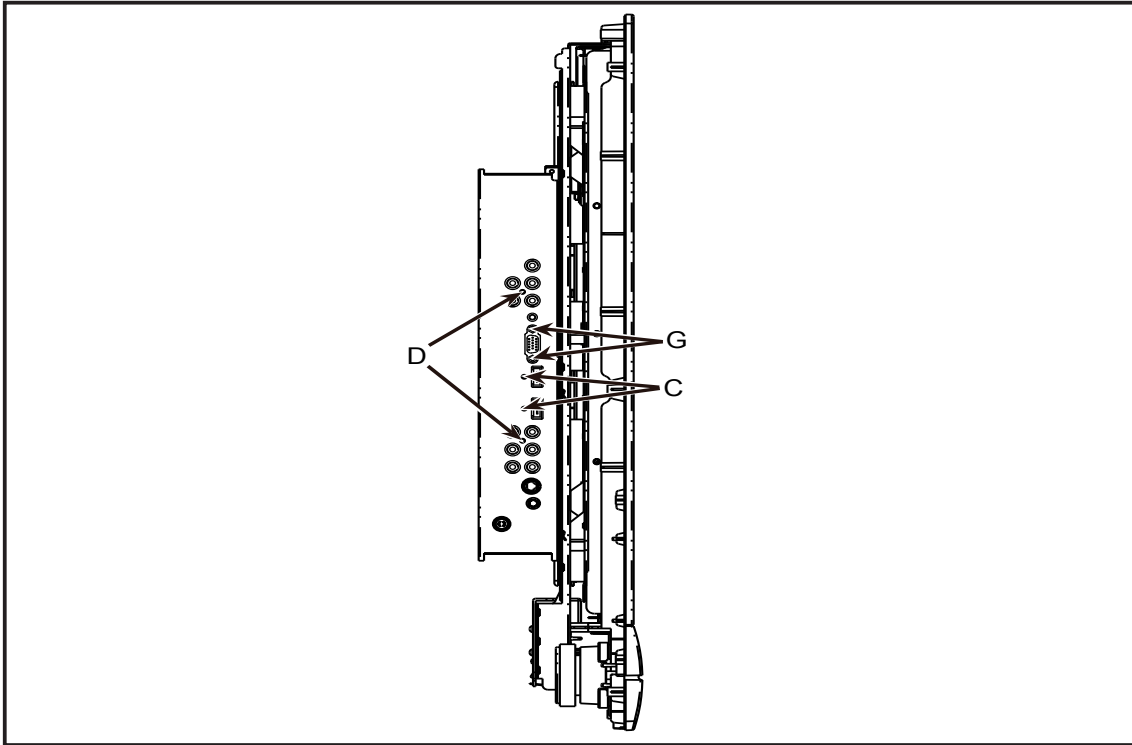
1. Remove screws A, B.
2. Take the Cabinet Back off.  
(A:16pcs, B:4pcs)



# Mechanical Disassembly(LCD-42S10)

## (二) Chassis and Terminal Board Removal

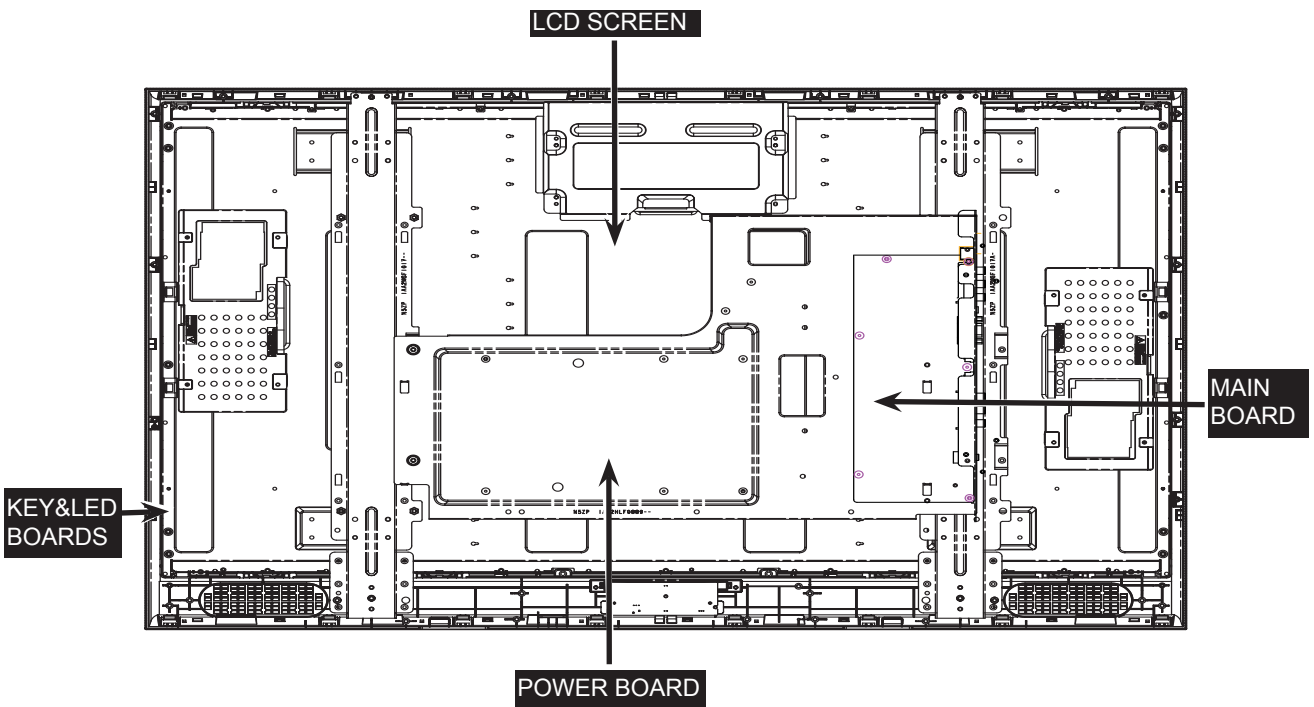
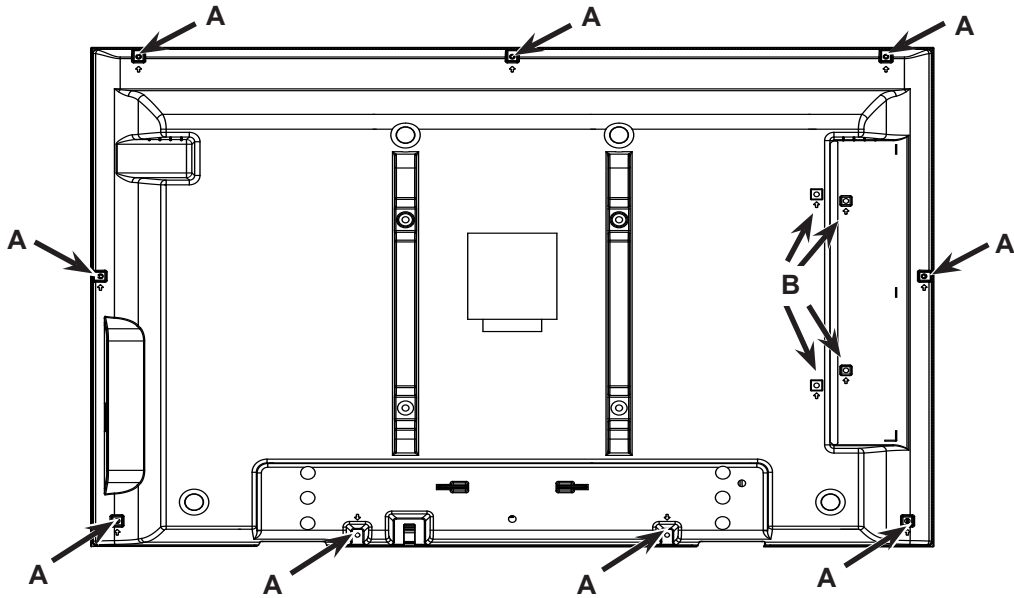
1. Remove screws C, D and G, take the terminal board off.
2. Remove Screw E, F take Power Board, Main Board and WOOFER off.  
(C: 2pcs, D: 2pcs, E: 12pcs, F: 4pcs, G: 2pcs)



# Mechanical Disassembly (LCD-32S10)

## (一) Cabinet Back Removal

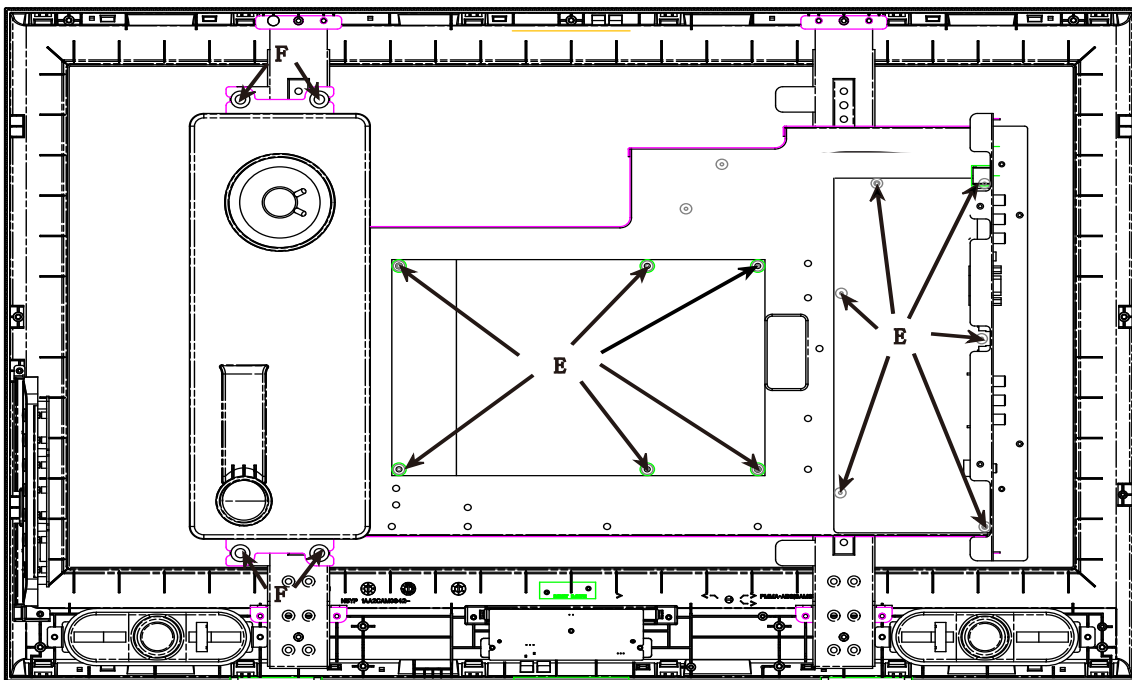
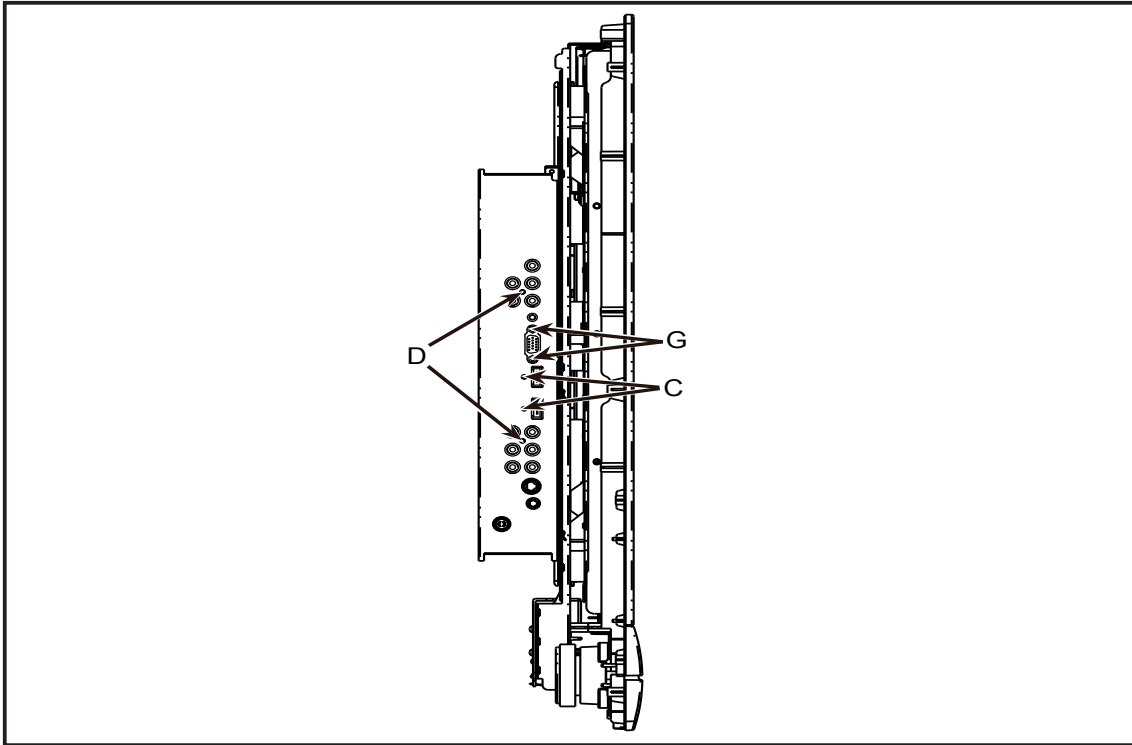
1. Remove screws A, B.
2. Take the Cabinet Back off.  
(A:9pcs, B:4pcs)



# Mechanical Disassembly(LCD-32S10)

## (二) Chassis and Terminal Board Removal

1. Remove screws C, D and G, take the terminal board off.
  2. Remove Screw E, F take Power Board, Main Board and WOOFER off.
- (C: 2pcs, D: 2pcs, E: 12pcs, F: 4pcs, G: 2pcs)



# Chassis Electrical Parts List

N5YV

Product safety should be considered when a component replacement is made in any area of a receiver. Components indicated by a  $\Delta$  mark in this parts list and the circuit diagram show components whose value have special significance to product safety. It is particularly recommended that only parts specified on the following parts list be used for components replacement pointed out by the mark.

Note: Parts order must contain Chassis No., Part No., and descriptions. The main PCB unit will be supplied without tuner and flyback transformer. They should be ordered separately.

Ref. No.	Part No.	Description	Ref. No.	Part No.	Description																																																																																																																														
<p><b>NOTES:</b> Read description in the Capacitor and Resistor as follows:</p> <p><b>CAPACITOR</b> CERAMIC 100P K 50V</p> <p style="margin-left: 40px;">Rated Voltage</p> <p style="margin-left: 40px;">Tolerance Symbols: Less than 10pF A : Not specified B : <math>\pm 0.1\text{pF}</math> C : <math>\pm 0.25\text{pF}</math> D : <math>\pm 0.5\text{pF}</math> F : <math>\pm 1\text{pF}</math> G : <math>\pm 2\text{pF}</math> R : <math>\pm 0.25\text{-OpF}</math> S : <math>\pm 0\text{-}0.25\text{pF}</math> E : <math>\pm 0\text{-}1\text{pF}</math> More than 10pF A : Not specified B : <math>\pm 0.1\%</math> C : <math>\pm 0.25\%</math> D : <math>\pm 0.5\%</math> F : <math>\pm 1\%</math> G : <math>\pm 2\%</math> H : <math>\pm 3\%</math> J : <math>\pm 5\%</math> K : <math>\pm 10\%</math> L : <math>\pm 15\%</math> M : <math>\pm 20\%</math> N : <math>\pm 30\%</math> P : <math>\pm 100\text{-}0\%</math> Q : <math>\pm 30\text{-}10\%</math> T : <math>\pm 50\text{-}10\%</math> U : <math>\pm 75\text{-}10\%</math> V : <math>\pm 20\text{-}10\%</math> W : <math>\pm 100\text{-}10\%</math> X : <math>\pm 40\text{-}20\%</math> Y : <math>\pm 150\text{-}10\%</math> Z : <math>\pm 80\text{-}20\%</math></p> <p style="margin-left: 40px;">Rated value: P=pico farad, U=micro farad</p> <p>Material: CERAMIC..... Ceramic MT-PAPER..... Metallized Paper POLYESTER..... Polyester MT-POLYEST.....Metallized Polyester POLYPRO..... Polypropylene MT-POLYPRO.....Metallized Polypropylene COMPO FILM.....Composite film MT-COMPO.....Metallized Composite STYRENE.....Styrene TA-SOLID..... Tantalum Solid AL-SOLID..... Aluminium Solid ELECT..... Electrolytic NP-ELECT..... Non-polarised Electrolytic OS-SOLID..... Aluminium Solid with Organic Semiconductive Electrolytic DL-ELECT..... Double Layered Electrolytic</p> <p><b>RESISTOR</b> CARBON 4.7K J A 1/4W</p> <p style="margin-left: 40px;">Rated Wattage</p> <p style="margin-left: 40px;">Performance Symbols: A: General B: Non flammable Z: Low noise Other: Temperature coefficient</p> <p style="margin-left: 40px;">Tolerance Symbols: A: <math>\pm 0.05\%</math> B: <math>\pm 0.1\%</math> C: <math>\pm 0.25\%</math> D: <math>\pm 0.5\%</math> F: <math>\pm 1\%</math> G: <math>\pm 2\%</math> J: <math>\pm 5\%</math> K: <math>\pm 10\%</math> M: <math>\pm 20\%</math> P: <math>\pm 5\text{-}15\%</math></p> <p style="margin-left: 40px;">Rated value, ohms: K: 1,000, M: 1,000,000</p> <p>Material: CARBON..... Carbon MT-FILM..... Metal Film OXIDE-MT..... Oxide Metal Film SOLID..... Composition MT-GLAZE..... Metal Glaze WIRE WOUND... Wire Wound CERAMIC RES... Ceramic FUSIBLE RES.... Fusible</p>			<p><b>OUT OF CIRCUIT BOARD</b></p> <p><b>LCD PANEL</b> <math>\Delta</math>EL901 6450953774 LCD(T315XW02 VC01)</p> <p><b>MISCELLANEOUS</b> SP901 6520025844 SPEAKER, 8 SP902 6520025844 SPEAKER, 8 <math>\Delta</math>W901 6450940354 CORD, POWER-2.23MK-VAR-2</p> <p><b>6103394695 ASSY,PWB, POWER, N5YV 1AA0B10S2650A</b></p> <p><b>TRANSISTOR</b></p> <table style="width: 100%; border-collapse: collapse;"> <tr><td style="width: 15%;">Q1603</td><td style="width: 30%;">4051814609</td><td style="width: 15%;">TR 2SK3264</td></tr> <tr><td>Q1606</td><td>4050180606</td><td>TR 2SC3332-S</td></tr> <tr><td>Q601</td><td>4052211308</td><td>TR STW25NM50N</td></tr> <tr><td>Q602</td><td>4051789709</td><td>TR 2SK3505</td></tr> <tr><td>Q604</td><td>4051789709</td><td>TR 2SK3505</td></tr> <tr><td>Q6800</td><td>4060214407</td><td>TR MMBTSC3928R</td></tr> <tr><td></td><td>4050144519</td><td>TR 2SC2412K T146 R</td></tr> <tr><td></td><td>4050144618</td><td>TR 2SC2412K T146 S</td></tr> <tr><td></td><td>4050158724</td><td>TR 2SC2812-L6-TB</td></tr> <tr><td></td><td>4050158922</td><td>TR 2SC2812-L7-TB</td></tr> <tr><td></td><td>4051631612</td><td>TR 2SC2812N-L6-TB0</td></tr> <tr><td></td><td>4051739813</td><td>TR 2SC3928A1R</td></tr> <tr><td></td><td>4051739912</td><td>TR 2SC3928A1S</td></tr> <tr><td>Q681</td><td>4060213004</td><td>TR CJD400-E</td></tr> <tr><td></td><td>4050235009</td><td>TR 2SD400-E-MP</td></tr> <tr><td>Q682</td><td>4060214407</td><td>TR MMBTSC3928R</td></tr> <tr><td></td><td>4050144519</td><td>TR 2SC2412K T146 R</td></tr> <tr><td></td><td>4050144618</td><td>TR 2SC2412K T146 S</td></tr> <tr><td></td><td>4050158724</td><td>TR 2SC2812-L6-TB</td></tr> <tr><td></td><td>4050158922</td><td>TR 2SC2812-L7-TB</td></tr> <tr><td></td><td>4051631612</td><td>TR 2SC2812N-L6-TB0</td></tr> <tr><td></td><td>4051739813</td><td>TR 2SC3928A1R</td></tr> <tr><td></td><td>4051739912</td><td>TR 2SC3928A1S</td></tr> <tr><td>Q683</td><td>4060214407</td><td>TR MMBTSC3928R</td></tr> <tr><td></td><td>4050144519</td><td>TR 2SC2412K T146 R</td></tr> <tr><td></td><td>4050144618</td><td>TR 2SC2412K T146 S</td></tr> <tr><td></td><td>4050158724</td><td>TR 2SC2812-L6-TB</td></tr> <tr><td></td><td>4050158922</td><td>TR 2SC2812-L7-TB</td></tr> <tr><td></td><td>4051631612</td><td>TR 2SC2812N-L6-TB0</td></tr> <tr><td></td><td>4051739813</td><td>TR 2SC3928A1R</td></tr> <tr><td></td><td>4051739912</td><td>TR 2SC3928A1S</td></tr> <tr><td>Q684</td><td>4060214407</td><td>TR MMBTSC3928R</td></tr> <tr><td></td><td>4050144519</td><td>TR 2SC2412K T146 R</td></tr> <tr><td></td><td>4050144618</td><td>TR 2SC2412K T146 S</td></tr> <tr><td></td><td>4050158724</td><td>TR 2SC2812-L6-TB</td></tr> <tr><td></td><td>4050158922</td><td>TR 2SC2812-L7-TB</td></tr> <tr><td></td><td>4051631612</td><td>TR 2SC2812N-L6-TB0</td></tr> <tr><td></td><td>4051739813</td><td>TR 2SC3928A1R</td></tr> <tr><td></td><td>4051739912</td><td>TR 2SC3928A1S</td></tr> <tr><td>Q685</td><td>4060214407</td><td>TR MMBTSC3928R</td></tr> <tr><td></td><td>4050144519</td><td>TR 2SC2412K T146 R</td></tr> <tr><td></td><td>4050144618</td><td>TR 2SC2412K T146 S</td></tr> </table>			Q1603	4051814609	TR 2SK3264	Q1606	4050180606	TR 2SC3332-S	Q601	4052211308	TR STW25NM50N	Q602	4051789709	TR 2SK3505	Q604	4051789709	TR 2SK3505	Q6800	4060214407	TR MMBTSC3928R		4050144519	TR 2SC2412K T146 R		4050144618	TR 2SC2412K T146 S		4050158724	TR 2SC2812-L6-TB		4050158922	TR 2SC2812-L7-TB		4051631612	TR 2SC2812N-L6-TB0		4051739813	TR 2SC3928A1R		4051739912	TR 2SC3928A1S	Q681	4060213004	TR CJD400-E		4050235009	TR 2SD400-E-MP	Q682	4060214407	TR MMBTSC3928R		4050144519	TR 2SC2412K T146 R		4050144618	TR 2SC2412K T146 S		4050158724	TR 2SC2812-L6-TB		4050158922	TR 2SC2812-L7-TB		4051631612	TR 2SC2812N-L6-TB0		4051739813	TR 2SC3928A1R		4051739912	TR 2SC3928A1S	Q683	4060214407	TR MMBTSC3928R		4050144519	TR 2SC2412K T146 R		4050144618	TR 2SC2412K T146 S		4050158724	TR 2SC2812-L6-TB		4050158922	TR 2SC2812-L7-TB		4051631612	TR 2SC2812N-L6-TB0		4051739813	TR 2SC3928A1R		4051739912	TR 2SC3928A1S	Q684	4060214407	TR MMBTSC3928R		4050144519	TR 2SC2412K T146 R		4050144618	TR 2SC2412K T146 S		4050158724	TR 2SC2812-L6-TB		4050158922	TR 2SC2812-L7-TB		4051631612	TR 2SC2812N-L6-TB0		4051739813	TR 2SC3928A1R		4051739912	TR 2SC3928A1S	Q685	4060214407	TR MMBTSC3928R		4050144519	TR 2SC2412K T146 R		4050144618	TR 2SC2412K T146 S
Q1603	4051814609	TR 2SK3264																																																																																																																																	
Q1606	4050180606	TR 2SC3332-S																																																																																																																																	
Q601	4052211308	TR STW25NM50N																																																																																																																																	
Q602	4051789709	TR 2SK3505																																																																																																																																	
Q604	4051789709	TR 2SK3505																																																																																																																																	
Q6800	4060214407	TR MMBTSC3928R																																																																																																																																	
	4050144519	TR 2SC2412K T146 R																																																																																																																																	
	4050144618	TR 2SC2412K T146 S																																																																																																																																	
	4050158724	TR 2SC2812-L6-TB																																																																																																																																	
	4050158922	TR 2SC2812-L7-TB																																																																																																																																	
	4051631612	TR 2SC2812N-L6-TB0																																																																																																																																	
	4051739813	TR 2SC3928A1R																																																																																																																																	
	4051739912	TR 2SC3928A1S																																																																																																																																	
Q681	4060213004	TR CJD400-E																																																																																																																																	
	4050235009	TR 2SD400-E-MP																																																																																																																																	
Q682	4060214407	TR MMBTSC3928R																																																																																																																																	
	4050144519	TR 2SC2412K T146 R																																																																																																																																	
	4050144618	TR 2SC2412K T146 S																																																																																																																																	
	4050158724	TR 2SC2812-L6-TB																																																																																																																																	
	4050158922	TR 2SC2812-L7-TB																																																																																																																																	
	4051631612	TR 2SC2812N-L6-TB0																																																																																																																																	
	4051739813	TR 2SC3928A1R																																																																																																																																	
	4051739912	TR 2SC3928A1S																																																																																																																																	
Q683	4060214407	TR MMBTSC3928R																																																																																																																																	
	4050144519	TR 2SC2412K T146 R																																																																																																																																	
	4050144618	TR 2SC2412K T146 S																																																																																																																																	
	4050158724	TR 2SC2812-L6-TB																																																																																																																																	
	4050158922	TR 2SC2812-L7-TB																																																																																																																																	
	4051631612	TR 2SC2812N-L6-TB0																																																																																																																																	
	4051739813	TR 2SC3928A1R																																																																																																																																	
	4051739912	TR 2SC3928A1S																																																																																																																																	
Q684	4060214407	TR MMBTSC3928R																																																																																																																																	
	4050144519	TR 2SC2412K T146 R																																																																																																																																	
	4050144618	TR 2SC2412K T146 S																																																																																																																																	
	4050158724	TR 2SC2812-L6-TB																																																																																																																																	
	4050158922	TR 2SC2812-L7-TB																																																																																																																																	
	4051631612	TR 2SC2812N-L6-TB0																																																																																																																																	
	4051739813	TR 2SC3928A1R																																																																																																																																	
	4051739912	TR 2SC3928A1S																																																																																																																																	
Q685	4060214407	TR MMBTSC3928R																																																																																																																																	
	4050144519	TR 2SC2412K T146 R																																																																																																																																	
	4050144618	TR 2SC2412K T146 S																																																																																																																																	

Ref. No.	Part No.	Description	Ref. No.	Part No.	Description
	4050158724	TR 2SC2812-L6-TB		4040912606	CERAMIC 0.1U K 50V
	4050158922	TR 2SC2812-L7-TB	△C601	4040888802	MT-POLYEST 0.22U M 275V
	4051631612	TR 2SC2812N-L6-TB0		4040941804	MT-POLYEST 0.22U K 275V
	4051739813	TR 2SC3928A1R	C602	4040733904	CERAMIC 1000P K 250V
	4051739912	TR 2SC3928A1S		4041113903	CERAMIC 1000P M 400V
Q690	4052203115	TR ISA1235AC1E	C6024	4032812412	CERAMIC 0.22U K 16V
	4052203016	TR ISA1235AC1F		4033645910	CERAMIC 0.22U K 16V
	4060214308	TR MMBTSA1235F	C603	4040733904	CERAMIC 1000P K 250V
	4051345925	TR 2SA1037AK-T146-R		4041113903	CERAMIC 1000P M 400V
	4051472215	TR 2SA1037AK-S-T146	C604	4040888802	MT-POLYEST 0.22U M 275V
	4051739615	TR 2SA1235A1E		4040941804	MT-POLYEST 0.22U K 275V
	4051739714	TR 2SA1235A1F	C605	4040888802	MT-POLYEST 0.22U M 275V
Q691	4060214407	TR MMBTSC3928R		4040941804	MT-POLYEST 0.22U K 275V
	4050144519	TR 2SC2412K T146 R	C606	4040733706	CERAMIC 100P K 250V
	4050144618	TR 2SC2412K T146 S		4041144204	CERAMIC 100P K 400V
	4050158724	TR 2SC2812-L6-TB	C607	4032601600	MT-POLYEST 1U J 400V
	4050158922	TR 2SC2812-L7-TB		4034334516	MT-POLYEST 1U K 400V
	4051631612	TR 2SC2812N-L6-TB0	C608	4032601600	MT-POLYEST 1U J 400V
	4051739813	TR 2SC3928A1R		4034334516	MT-POLYEST 1U K 400V
	4051739912	TR 2SC3928A1S	C611	4041044900	CERAMIC 0.1U K 50V
Q692	4052203115	TR ISA1235AC1E		4040912606	CERAMIC 0.1U K 50V
	4052203016	TR ISA1235AC1F	C612	4041102600	ELECT 10U M 16V
	4060214308	TR MMBTSA1235F	C613	4041045402	CERAMIC 1800P K 50V
	4051345925	TR 2SA1037AK-T146-R		4040913009	CERAMIC 1800P K 50V
	4051472215	TR 2SA1037AK-S-T146		4031577015	CERAMIC 1800P K 50V
	4051739615	TR 2SA1235A1E	C614	4041040308	CERAMIC 1000P J 50V
	4051739714	TR 2SA1235A1F		4040946502	CERAMIC 1000P J 50V
			C615	4041167500	CERAMIC 1U K 16V
			C616	4041045600	CERAMIC 220P K 50V
<b>INTEGRATED CIRCUIT</b>				4040913207	CERAMIC 220P K 50V
IC1601	4096910512	IC FAN7602M		4031576216	CERAMIC 220P K 50V
IC602	4096910215	IC UCC28019DR		4041150809	CERAMIC 0.22U K 50V
IC604	4096915200	IC TL431ATA	C617	4040913405	CERAMIC 0.22U K 50V
	4091802307	IC UPC1093J		4033238815	CERAMIC 2.2U Z 16V
IC610	4096915200	IC TL431ATA	C618	4040888802	MT-POLYEST 0.22U M 275V
	4091802307	IC UPC1093J	C619	4040941804	MT-POLYEST 0.22U K 275V
IC633	4096867618	IC L6599DTR		4034271811	MT-POLYEST 0.1U K 450V
IC670	4094991503	IC KIA78R05PI	C620	4034271811	MT-POLYEST 0.1U K 450V
			C625	4034271811	MT-POLYEST 0.1U K 450V
			C626	4034271811	MT-POLYEST 0.1U K 450V
<b>CAPACITOR</b>			C630	4041046508	CERAMIC 470P K 50V
C1601	4041098002	ELECT 47U M 35V		4040914303	CERAMIC 470P K 50V
	4034208708	ELECT 47U M 35V	△C631	4041045204	CERAMIC 1500P K 50V
C1602	4041044900	CERAMIC 0.1U K 50V		4040901303	CERAMIC 1500P K 50V
	4040912606	CERAMIC 0.1U K 50V	△C632	4041150809	CERAMIC 0.22U K 50V
C1603	4041046706	CERAMIC 0.047U K 50V		4040913405	CERAMIC 0.22U K 50V
	4040914501	CERAMIC 0.047U K 50V	C633	4041032402	CERAMIC 1000P K 50V
C1604	4041084500	ELECT 47U M 25V		4040901105	CERAMIC 1000P K 50V
C1605	4041032402	CERAMIC 1000P K 50V	C634	4041150809	CERAMIC 0.22U K 50V
	4040901105	CERAMIC 1000P K 50V		4040913405	CERAMIC 0.22U K 50V
C1606	4041044900	CERAMIC 0.1U K 50V	C635	4041112500	CERAMIC 470P K 2K
	4040912606	CERAMIC 0.1U K 50V		4040862109	CERAMIC 470P K 2K
C1607	4041111701	ELECT 47U M 50V		4032454404	CERAMIC 470P K 2K
C1608	4041044900	CERAMIC 0.1U K 50V	C636	4041149902	MT-POLYPRO 0.047U H 800V
	4040912606	CERAMIC 0.1U K 50V		4041109401	MT-POLYPRO 0.047U J 800V
C1609	4041032907	CERAMIC 0.01U K 50V	C637	4041044900	CERAMIC 0.1U K 50V
	4040901204	CERAMIC 0.01U K 50V		4040912606	CERAMIC 0.1U K 50V
C1610	4041111503	CERAMIC 2200P K 2K	C638	4041084500	ELECT 47U M 25V
	4040861904	CERAMIC 2200P K 2K	C639	4041003105	POLYESTER 0.1U J 100
C1655	4041112500	CERAMIC 470P K 2K		4032564826	MT-COMPO 0.1U J 100V
	4040862109	CERAMIC 470P K 2K		4032564836	MT-COMPO 0.1U J 100
	4032454404	CERAMIC 470P K 2K		4032564806	MT-COMPO 0.1U J 100V
C1664	4041044900	CERAMIC 0.1U K 50V	C640	4041150809	CERAMIC 0.22U K 50V
	4040912606	CERAMIC 0.1U K 50V		4040913405	CERAMIC 0.22U K 50V
C1675	4041044900	CERAMIC 0.1U K 50V	C647	4041166404	ELECT 220U M 450V
	4040912606	CERAMIC 0.1U K 50V	C652	4040735106	CERAMIC 470P K 250V
C1689	4041044900	CERAMIC 0.1U K 50V		4041144303	CERAMIC 470P K 400V
	4040912606	CERAMIC 0.1U K 50V	C653	4040735106	CERAMIC 470P K 250V
C1693	4041044900	CERAMIC 0.1U K 50V			

Ref. No.	Part No.	Description	Ref. No.	Part No.	Description	
C654	4041144303	CERAMIC 470P K 400V	C698	4041044900	CERAMIC 0.1U K 50V	
	4040733706	CERAMIC 100P K 250V		4040912606	CERAMIC 0.1U K 50V	
	4041144204	CERAMIC 100P K 400V		C699	4041064304	ELECT 470U M 16V
C655	4041112500	CERAMIC 470P K 2K	<b>RESISTOR</b>		R1601	4012552710 MT-GLAZE 3.9M JA 1/4W
	4040862109	CERAMIC 470P K 2K			R1602	4012552710 MT-GLAZE 3.9M JA 1/4W
C661	4032454404	CERAMIC 470P K 2K		R1603	4011882818 MT-GLAZE 56K JA 1/4W	
	4040912606	CERAMIC 0.1U K 50V		R1604	4011879214 MT-GLAZE 10 JA 1/4W	
C662	4033701517	CERAMIC 0.1U K 50V		R1605	4011882610 MT-GLAZE 56 JA 1/4W	
	4041064700	ELECT 2200U M 35V		R1606	4011505915 MT-GLAZE 10K JA 1/10W	
C663	4041064205	ELECT 1000U M 35V		R1607	4011506219 MT-GLAZE 1K JA 1/10W	
	4034315505	ELECT 1000U M 35V		R1608	4021196308 OXIDE-MT 0.47 JA 1W	
C664	4041044900	CERAMIC 0.1U K 50V		4020949509	OXIDE-MT 0.47 JA 1W	
	4040912606	CERAMIC 0.1U K 50V		4021205000	OXIDE-MT 0.47 JA 1W	
C665	4041064205	ELECT 1000U M 35V		4010575216	OXIDE-MT 0.47 JA 1W	
	4034315505	ELECT 1000U M 35V		R1609	4012189213 MT-GLAZE 100 JA 1/3W	
C666	4041078400	CERAMIC 1000P K 1K		R1610	4011881217 MT-GLAZE 33 JA 1/4W	
	4040846307	CERAMIC 1000P K 1K		R1611	4012560210 MT-GLAZE 120K JA 1/10W	
C667	4032221303	CERAMIC 1000P K 1K		R1612	4012565314 MT-GLAZE 56K JA 1/10W	
	4032719602	CERAMIC 1000P K 1K	R1613	4012559214 MT-GLAZE 6.2K JA 1/10W		
C670	4041078400	CERAMIC 1000P K 1K	R1614	4011624111 MT-GLAZE 5.6K JA 1/10W		
	4040846307	CERAMIC 1000P K 1K	R1615	4011035610 MT-GLAZE 10K JA 1/4W		
C671	4032221303	CERAMIC 1000P K 1K	R1616	4011880517 MT-GLAZE 2.2K JA 1/4W		
	4032719602	CERAMIC 1000P K 1K	R1617	4011882818 MT-GLAZE 56K JA 1/4W		
C672	4041063802	ELECT 1000U M 16V	R1618	4021034501 OXIDE-MT 68K JA 2W		
	4041044900	CERAMIC 0.1U K 50V	4020932709	OXIDE-MT 68K JA 2W		
C673	4040912606	CERAMIC 0.1U K 50V	4010694511	OXIDE-MT 68K JA 2W		
	4040912606	CERAMIC 0.1U K 50V	R1619	4011842010 MT-GLAZE 2.2 JA 1/2W		
C675	4041044900	CERAMIC 0.1U K 50V	R1621	4012552710 MT-GLAZE 3.9M JA 1/4W		
	4040912606	CERAMIC 0.1U K 50V	R1622	4012552710 MT-GLAZE 3.9M JA 1/4W		
C676	4041064205	ELECT 1000U M 35V	R1623	4012556114 MT-GLAZE 20K JA 1/10W		
	4041064700	ELECT 2200U M 35V	R1685	4012566014 MT-GLAZE 27K JA 1/10W		
C677	4041078400	CERAMIC 1000P K 1K	R6002	4012565611 MT-GLAZE 47 JA 1/10W		
	4040846307	CERAMIC 1000P K 1K	R6003	4012641919 MT-GLAZE 10K FA 1/10W		
C678	4032221303	CERAMIC 1000P K 1K	R6005	4012641810 MT-GLAZE 1K FA 1/10W		
	4032719602	CERAMIC 1000P K 1K	R6006	4012582618 MT-GLAZE 150 FA 1/10W		
C679	4041078400	CERAMIC 1000P K 1K	R6008	4011882313 MT-GLAZE 4.7K JA 1/4W		
	4040846307	CERAMIC 1000P K 1K	R6009	4011506110 MT-GLAZE 2.2K JA 1/10W		
C6800	4032221303	CERAMIC 1000P K 1K	△R601	4010104802 CARBON 470K JA 1/2W		
	4032719602	CERAMIC 1000P K 1K	4021038400	CARBON 470K JA 1/2W		
C6803	4040912606	CERAMIC 0.1U K 50V	4020925305	CARBON 470K JA 1/2W		
	4033701517	CERAMIC 0.1U K 50V	△R602	4010104802 CARBON 470K JA 1/2W		
C682	4040912606	CERAMIC 0.1U K 50V	4021038400	CARBON 470K JA 1/2W		
	4033701517	CERAMIC 0.1U K 50V	4020925305	CARBON 470K JA 1/2W		
C683	4041098408	ELECT 100U M 25V	R604	4012552710 MT-GLAZE 3.9M JA 1/4W		
	4034275304	ELECT 100U M 25V	R605	4012552710 MT-GLAZE 3.9M JA 1/4W		
C684	4041063703	ELECT 2200U M 25V	R606	4021102408 OXIDE-MT 0.27 JA 2W		
	4034311804	ELECT 2200U M 25V	4020934406	OXIDE-MT 0.27 JA 2W		
C689	4041032907	CERAMIC 0.01U K 50V	4012280415	OXIDE-MT 0.27 JA 2W		
	4040901204	CERAMIC 0.01U K 50V	R607	4021102408 OXIDE-MT 0.27 JA 2W		
C690	4040912606	CERAMIC 0.1U K 50V	4020934406	OXIDE-MT 0.27 JA 2W		
	4032245715	CERAMIC 1000P K 50V	4012280415	OXIDE-MT 0.27 JA 2W		
C691	4041063802	ELECT 1000U M 16V	R608	4011880418 MT-GLAZE 220 JA 1/4W		
	4041063703	ELECT 2200U M 25V	R609	4011505816 MT-GLAZE 100K JA 1/10W		
C692	4041063901	ELECT 1000U M 25V	R615	4012567318 MT-GLAZE 6.8K JA 1/10W		
	4034309702	ELECT 1000U M 25V	R616	4012567615 MT-GLAZE 3.9K JA 1/10W		
C693	4041044900	CERAMIC 0.1U K 50V	R618	4012543015 MT-GLAZE 33K JA 1/4W		
	4040912606	CERAMIC 0.1U K 50V	R621	4011882016 MT-GLAZE 4.7 JA 1/4W		
C694	4040912606	CERAMIC 0.1U K 50V	R624	4011881217 MT-GLAZE 33 JA 1/4W		
	4033701517	CERAMIC 0.1U K 50V	R626	4011881910 MT-GLAZE 390K JA 1/4W		
C695	4041078400	CERAMIC 1000P K 1K	R627	4011881910 MT-GLAZE 390K JA 1/4W		
	4040846307	CERAMIC 1000P K 1K	R630	4021096400 OXIDE-MT 12K JA 1W		
C696	4032221303	CERAMIC 1000P K 1K	4021048409	OXIDE-MT 12K JA 1W		
	4032719602	CERAMIC 1000P K 1K	4010589817	OXIDE-MT 12K JA 1W		
C696	4040912606	CERAMIC 0.1U K 50V	R636	4012566311 MT-GLAZE 47K JA 1/10W		
	4033701517	CERAMIC 0.1U K 50V	R637	4012646518 MT-GLAZE 2.2K FA 1/10W		



Ref. No.	Part No.	Description	Ref. No.	Part No.	Description
R642	4011505915	MT-GLAZE 10K JA 1/10W	L603	6520024106	LINE FILTER
R643	4012563617	MT-GLAZE 15K JA 1/10W	L604	6520024106	LINE FILTER
R644	4012561415	MT-GLAZE 330K JA 1/10W	L605	6520025196	INDUCTOR ,500UH
R645	4012555810	MT-GLAZE 2K JA 1/10W	L660	6520024144	INDUCTOR,0.8UH
R647	4011505915	MT-GLAZE 10K JA 1/10W	L661	6520024144	INDUCTOR,0.8UH
R648	4012566311	MT-GLAZE 47K JA 1/10W	L662	6520001749	CORE,PIPE
R649	4011879214	MT-GLAZE 10 JA 1/4W	L663	6520024144	INDUCTOR,0.8UH
R650	4011879214	MT-GLAZE 10 JA 1/4W	L670	6520001749	CORE,PIPE
R651	4012566311	MT-GLAZE 47K JA 1/10W	L671	6520001749	CORE,PIPE
R652	4011879214	MT-GLAZE 10 JA 1/4W			
R653	4012566212	MT-GLAZE 270 JA 1/10W	<b>DIODE</b>		
R654	4021036406	OXIDE-MT 0.68 JA 1W	D1601	4080476205	ZENER DIODE MTZJ36A
	4020949608	OXIDE-MT 0.68 JA 1W	D1602	4080585105	DIODE LL4148
	4010576817	OXIDE-MT 0.68 JA 1W	D1604	4080584207	DIODE EU1
R655	4011879214	MT-GLAZE 10 JA 1/4W	D1605	4080475307	ZENER DIODE MTZJ16A-52
R656	4012560012	MT-GLAZE 120 JA 1/10W	D1606	4080584207	DIODE EU1
R658	4021173200	SOLID 10M KA 1/2W	D1607	4080456603	DIODE EG01C
R659	4021173200	SOLID 10M KA 1/2W		4080583804	DIODE EG01C
R661	4021096103	OXIDE-MT 0.47 JA 2W	D601	4072494309	DIODE FMD-G26S
	4020931405	OXIDE-MT 0.47 JA 2W	D602	4080614706	DIODE RL255
	4010642106	OXIDE-MT 0.47 JA 2W	D603	4080643409	DIODE D10SB60
R664	4011836712	MT-GLAZE 3.3K JA 1/2W	D604	4072187518	ZENER DIODE UDZS16B-TE-17
R666	4011836712	MT-GLAZE 3.3K JA 1/2W		4080647506	ZENER DIODE MM3Z 16B
R667	4011506219	MT-GLAZE 1K JA 1/10W	D610	4080585105	DIODE LL4148
R670	4021196308	OXIDE-MT 0.47 JA 1W	D611	4080585105	DIODE LL4148
	4020949509	OXIDE-MT 0.47 JA 1W	D612	4080585105	DIODE LL4148
	4010575216	OXIDE-MT 0.47 JA 1W	D630	4080585105	DIODE LL4148
R671	4012566014	MT-GLAZE 27K JA 1/10W	D631	4080585105	DIODE LL4148
R672	4011623718	MT-GLAZE 4.7K JA 1/10W	D638	4080475307	ZENER DIODE MTZJ16A-52
R6800	4011506219	MT-GLAZE 1K JA 1/10W	D650	4072626700	PHOTO COUPLE BPC-817MC
R6801	4011506110	MT-GLAZE 2.2K JA 1/10W		4072348701	PHOTO COUPLE PC123X5YFZ
R6802	4012655718	MT-GLAZE 8.2K FA 1/10W		4072303908	PHOTO COUPLE PC123Y52
R6803	4012643715	MT-GLAZE 1.5K FA 1/10W	D651	4072626700	PHOTO COUPLE BPC-817MC
R6804	4012641919	MT-GLAZE 10K FA 1/10W		4072348701	PHOTO COUPLE PC123X5YFZ
R6805	4011623619	MT-GLAZE 470 JA 1/10W		4072303908	PHOTO COUPLE PC123Y52
R6806	4012566014	MT-GLAZE 27K JA 1/10W	D652	4072626700	PHOTO COUPLE BPC-817MC
R6807	4011623718	MT-GLAZE 4.7K JA 1/10W		4072348701	PHOTO COUPLE PC123X5YFZ
R6809	4011623015	MT-GLAZE 22K JA 1/10W		4072303908	PHOTO COUPLE PC123Y52
R6810	4011505915	MT-GLAZE 10K JA 1/10W	D661	4072538102	DIODE RB215T-90
R6811	4011506219	MT-GLAZE 1K JA 1/10W	D670	4080458508	DIODE RU3YX
R6812	4011506219	MT-GLAZE 1K JA 1/10W		4080651107	DIODE RU3YX
R6813	4011506219	MT-GLAZE 1K JA 1/10W	D673	4080660505	DIODE RN1Z
R6814	4011506219	MT-GLAZE 1K JA 1/10W	D674	4080584207	DIODE EU1
R684	4021196407	OXIDE-MT 10 JA 1W	D6801	4080585105	DIODE LL4148
	4020926302	OXIDE-MT 10 JA 1W	D6802	4080585105	DIODE LL4148
	4010581118	OXIDE-MT 10 JA 1W	D6803	4080585105	DIODE LL4148
R685	4012566014	MT-GLAZE 27K JA 1/10W	D6804	4080585105	DIODE LL4148
R686	4011603314	MT-GLAZE 1.5K JA 1/4W	D6805	4072219615	ZENER DIODE UDZS27B-TE-17
R687	4011623718	MT-GLAZE 4.7K JA 1/10W		4080641306	ZENER DIODE MM3Z 27B
R688	4011623718	MT-GLAZE 4.7K JA 1/10W	D6806	4072219615	ZENER DIODE UDZS27B-TE-17
R691	4011623619	MT-GLAZE 470 JA 1/10W		4080641306	ZENER DIODE MM3Z 27B
R692	4011880418	MT-GLAZE 220 JA 1/4W	D6807	4072089713	ZD UDZS-TE-175.6B
R693	4011623718	MT-GLAZE 4.7K JA 1/10W		4080629700	ZENER DIODE MM3Z5V6B
R694	4011623015	MT-GLAZE 22K JA 1/10W	D6808	4072312217	ZENER DIODE UDZS13B-TE-17
R695	4011506219	MT-GLAZE 1K JA 1/10W		4080646707	ZENER DIODE MM3Z13B
R696	4011506219	MT-GLAZE 1K JA 1/10W	D682	4072217116	ZENER DIODE UDZS-TE-1712B
R697	4011506110	MT-GLAZE 2.2K JA 1/10W		4080631802	ZENER DIODE MM3Z12B
R698	4011624111	MT-GLAZE 5.6K JA 1/10W	D690	4072537501	DIODE RB085T-60
R699	4011465110	MT-GLAZE 1K JA 1/4W	D691	4080585105	DIODE LL4148
<b>TRANSFORMER</b>			<b>MISCELLANEOUS</b>		
△T601	6520025189	TRANS ,POWER ,PULSE	△F601	4240067403	FUSE 250V 5A
T602	6520025165	TRANS ,POWER ,PULSE	R603	4080563707	THERMISTOR NTPAD5R1LDNB0
<b>COIL</b>			△VA601	4072254309	VARISTOR ENE621D-14A
△L601	6520024755	LINE FILTER		4072620609	VARISTOR MYG3-14K385
L602	6520024106	LINE FILTER			

Ref. No.	Part No.	Description	Ref. No.	Part No.	Description
<b>6103395449 ASSY,PWB, KEY, N5YV 1AA0B10S2650B</b>					
<b>CAPACITOR</b>					
C1900	4040949800	CERAMIC 0.1U Z 25V	Q003	4060214407	TR MMBTSC3928R
	4031640214	CERAMIC 0.1U Z 25V		4050144519	TR 2SC2412K T146 R
<b>RESISTOR</b>				4050144618	TR 2SC2412K T146 S
R1900	4012563617	MT-GLAZE 15K JA 1/10W		4050158724	TR 2SC2812-L6-TB
R1901	4012563617	MT-GLAZE 15K JA 1/10W		4050158922	TR 2SC2812-L7-TB
R1902	4012560418	MT-GLAZE 12K JA 1/10W		4051631612	TR 2SC2812N-L6-TB0
R1903	4012560111	MT-GLAZE 8.2K JA 1/10W		4051739813	TR 2SC3928A1R
R1904	4012567219	MT-GLAZE 18K JA 1/10W		4051739912	TR 2SC3928A1S
R1905	4012565314	MT-GLAZE 56K JA 1/10W	Q013	4060214407	TR MMBTSC3928R
R1906	4012560418	MT-GLAZE 12K JA 1/10W		4050144519	TR 2SC2412K T146 R
R1907	4012560111	MT-GLAZE 8.2K JA 1/10W		4050144618	TR 2SC2412K T146 S
R1908	4012567219	MT-GLAZE 18K JA 1/10W		4050158724	TR 2SC2812-L6-TB
R1909	4011506011	MT-GLAZE 0.000 ZA 1/10W		4050158922	TR 2SC2812-L7-TB
R1910	4011506011	MT-GLAZE 0.000 ZA 1/10W		4051631612	TR 2SC2812N-L6-TB0
R1911	4011506011	MT-GLAZE 0.000 ZA 1/10W		4051739813	TR 2SC3928A1R
R1912	4011506011	MT-GLAZE 0.000 ZA 1/10W		4051739912	TR 2SC3928A1S
<b>COIL</b>			Q014	4060214407	TR MMBTSC3928R
L1900	6450046650	INDUCTOR,600 OHM		4050144519	TR 2SC2412K T146 R
<b>DIODE</b>				4050144618	TR 2SC2412K T146 S
ZD1900	4072065618	ZENER DIODE UDZS-TE-1710B		4050158724	TR 2SC2812-L6-TB
	4080632403	ZENER DIODE MM3Z 10B		4050158922	TR 2SC2812-L7-TB
ZD1901	4072065618	ZENER DIODE UDZS-TE-1710B		4051631612	TR 2SC2812N-L6-TB0
	4080632403	ZENER DIODE MM3Z 10B		4051739813	TR 2SC3928A1R
ZD1902	4072065618	ZENER DIODE UDZS-TE-1710B		4051739912	TR 2SC3928A1S
	4080632403	ZENER DIODE MM3Z 10B	Q1001	4060214407	TR MMBTSC3928R
ZD1903	4072065618	ZENER DIODE UDZS-TE-1710B		4050144519	TR 2SC2412K T146 R
	4080632403	ZENER DIODE MM3Z 10B		4050144618	TR 2SC2412K T146 S
ZD1904	4072065618	ZENER DIODE UDZS-TE-1710B		4050158724	TR 2SC2812-L6-TB
	4080632403	ZENER DIODE MM3Z 10B		4050158922	TR 2SC2812-L7-TB
ZD1905	4072065618	ZENER DIODE UDZS-TE-1710B		4051631612	TR 2SC2812N-L6-TB0
	4080632403	ZENER DIODE MM3Z 10B		4051739813	TR 2SC3928A1R
ZD1906	4072065618	ZENER DIODE UDZS-TE-1710B		4051739912	TR 2SC3928A1S
	4080632403	ZENER DIODE MM3Z 10B	Q101	4052203115	TR ISA1235AC1E
<b>MISCELLANEOUS</b>				4052203016	TR ISA1235AC1F
SC1900	6450763502	SURGE-ABSORBER		4060214308	TR MMBTSA1235F
SC1901	6450763502	SURGE-ABSORBER		4051345925	TR 2SA1037AK-T146-R
SC1902	6450763502	SURGE-ABSORBER		4051472215	TR 2SA1037AK-S-T146
SW1900	6520014008	SWITCH,PUSH 1P-1TX1		4051739615	TR 2SA1235A1E
SW1901	6520014008	SWITCH,PUSH 1P-1TX1		4051739714	TR 2SA1235A1F
SW1902	6520014008	SWITCH,PUSH 1P-1TX1	Q3000	4050458725	TR 2SK536
SW1903	6520014008	SWITCH,PUSH 1P-1TX1	Q3001	4050458725	TR 2SK536
SW1904	6520014008	SWITCH,PUSH 1P-1TX1	Q3014	4060214407	TR MMBTSC3928R
SW1905	6520014008	SWITCH,PUSH 1P-1TX1		4050144519	TR 2SC2412K T146 R
SW1906	6520014008	SWITCH,PUSH 1P-1TX1		4050144618	TR 2SC2412K T146 S
<b>6103394626 ASSY,PWB, MAIN, N5YV 1AA0B10S2640A</b>				4050158724	TR 2SC2812-L6-TB
<b>TRANSISTOR</b>				4050158922	TR 2SC2812-L7-TB
Q001	4060214407	TR MMBTSC3928R		4051631612	TR 2SC2812N-L6-TB0
	4050144519	TR 2SC2412K T146 R		4051739813	TR 2SC3928A1R
	4050144618	TR 2SC2412K T146 S		4051739912	TR 2SC3928A1S
	4050158724	TR 2SC2812-L6-TB	Q700	4060214407	TR MMBTSC3928R
	4050158922	TR 2SC2812-L7-TB		4050144519	TR 2SC2412K T146 R
	4051631612	TR 2SC2812N-L6-TB0		4050144618	TR 2SC2412K T146 S
	4051739813	TR 2SC3928A1R		4050158724	TR 2SC2812-L6-TB
	4051739912	TR 2SC3928A1S		4050158922	TR 2SC2812-L7-TB
				4051631612	TR 2SC2812N-L6-TB0
				4051739813	TR 2SC3928A1R
				4051739912	TR 2SC3928A1S
			Q701	4060214407	TR MMBTSC3928R
				4050144519	TR 2SC2412K T146 R



Ref. No.	Part No.	Description	Ref. No.	Part No.	Description
C002	4041084203	ELECT 470U M 35V		4040946304	CERAMIC 10P J 50V
C003	4032569316	CERAMIC 0.47U Z 50V	C1027	4011506011	MT-GLAZE 0.000 ZA 1/10W
C004	4032070317	CERAMIC 1U Z 16V	C103	4041044603	CERAMIC 68P J 50V
	4032789615	CERAMIC 1U Z 16V		4040949008	CERAMIC 68P J 50V
C005	4032070317	CERAMIC 1U Z 16V		4031573314	CERAMIC 68P J 50V
	4032789615	CERAMIC 1U Z 16V	C1033	4011506011	MT-GLAZE 0.000 ZA 1/10W
C006	4032070317	CERAMIC 1U Z 16V	C104	4041044603	CERAMIC 68P J 50V
	4032789615	CERAMIC 1U Z 16V		4040949008	CERAMIC 68P J 50V
C007	4032569316	CERAMIC 0.47U Z 50V		4031573314	CERAMIC 68P J 50V
C008	4032070317	CERAMIC 1U Z 16V	C105	4034033617	NP-ELECT 22U M 16V
	4032789615	CERAMIC 1U Z 16V		4033978711	NP-ELECT 22U M 16V
C009	4041097302	ELECT 470U M 50V	C111	4040940104	ELECT 10U M 16V
C010	4034502212	CERAMIC 0.22U K 25V		4033831313	ELECT 10U M 16V
C011	4040985907	ELECT 10U M 50V	C112	4041034505	CERAMIC 0.1U K 16V
	4034028316	ELECT 10U M 50V		4040950509	CERAMIC 0.1U K 16V
C012	4041044900	CERAMIC 0.1U K 50V		4032989619	CERAMIC 0.1U K 16V
	4040912606	CERAMIC 0.1U K 50V	C120	4033860917	ELECT 100U M 16V
	4033670417	CERAMIC 0.1U K 50V	C121	4041034505	CERAMIC 0.1U K 16V
C013	4032569316	CERAMIC 0.47U Z 50V		4040950509	CERAMIC 0.1U K 16V
C014	4032569316	CERAMIC 0.47U Z 50V		4032989619	CERAMIC 0.1U K 16V
C015	4034502212	CERAMIC 0.22U K 25V	C122	4033860917	ELECT 100U M 16V
C016	4041097302	ELECT 470U M 50V	C123	4041034505	CERAMIC 0.1U K 16V
C029	4040954200	CERAMIC 0.01U Z 50V		4040950509	CERAMIC 0.1U K 16V
C030	4041036608	CERAMIC 0.22U K 16V		4032989619	CERAMIC 0.1U K 16V
	4032812412	CERAMIC 0.22U K 16V	C124	4041034505	CERAMIC 0.1U K 16V
C031	4032070317	CERAMIC 1U Z 16V		4040950509	CERAMIC 0.1U K 16V
	4032789615	CERAMIC 1U Z 16V		4032989619	CERAMIC 0.1U K 16V
C032	4033841411	ELECT 47U M 16V	C1500	4041034505	CERAMIC 0.1U K 16V
C033	4034031019	ELECT 100U M 25V		4040950509	CERAMIC 0.1U K 16V
C034	4034031019	ELECT 100U M 25V		4032989619	CERAMIC 0.1U K 16V
C035	4032070317	CERAMIC 1U Z 16V	C1501	4041040209	CERAMIC 100P J 50V
	4032789615	CERAMIC 1U Z 16V		4040946403	CERAMIC 100P J 50V
C037	4041044900	CERAMIC 0.1U K 50V	C1502	4041040209	CERAMIC 100P J 50V
	4040912606	CERAMIC 0.1U K 50V		4040946403	CERAMIC 100P J 50V
	4033670417	CERAMIC 0.1U K 50V	C1520TM	4041084104	ELECT 100U M 16V
C055	4033987515	ELECT 100U M 35V	C3000	4041036707	CERAMIC 0.47U K 16V
C056	4041034505	CERAMIC 0.1U K 16V		4041109807	CERAMIC 0.47U K 16V
	4040950509	CERAMIC 0.1U K 16V		4033363517	CERAMIC 0.47U K 16V
	4032989619	CERAMIC 0.1U K 16V	C3001	4041036707	CERAMIC 0.47U K 16V
C057	4033987515	ELECT 100U M 35V		4041109807	CERAMIC 0.47U K 16V
C058	4041034505	CERAMIC 0.1U K 16V		4033363517	CERAMIC 0.47U K 16V
	4040950509	CERAMIC 0.1U K 16V	C3002	4041044900	CERAMIC 0.1U K 50V
	4032989619	CERAMIC 0.1U K 16V		4040912606	CERAMIC 0.1U K 50V
C1002	4034030715	ELECT 220U M 16V		4033670417	CERAMIC 0.1U K 50V
C1005	4040940104	ELECT 10U M 16V	C3003	4041032907	CERAMIC 0.01U K 50V
	4033831313	ELECT 10U M 16V		4040901204	CERAMIC 0.01U K 50V
C1008	4040940104	ELECT 10U M 16V		4032152211	CERAMIC 0.01U K 50V
	4033831313	ELECT 10U M 16V	C3004	4041044900	CERAMIC 0.1U K 50V
C1009	4033238815	CERAMIC 2.2U Z 16V		4040912606	CERAMIC 0.1U K 50V
C101	4041034505	CERAMIC 0.1U K 16V		4033670417	CERAMIC 0.1U K 50V
	4040950509	CERAMIC 0.1U K 16V	C3005	4041032907	CERAMIC 0.01U K 50V
	4032989619	CERAMIC 0.1U K 16V		4040901204	CERAMIC 0.01U K 50V
C1010	4040940104	ELECT 10U M 16V		4032152211	CERAMIC 0.01U K 50V
	4033831313	ELECT 10U M 16V	C3006	4041044900	CERAMIC 0.1U K 50V
C1011	4041034505	CERAMIC 0.1U K 16V		4040912606	CERAMIC 0.1U K 50V
	4040950509	CERAMIC 0.1U K 16V		4033670417	CERAMIC 0.1U K 50V
	4032989619	CERAMIC 0.1U K 16V	C3007	4041032907	CERAMIC 0.01U K 50V
C1012	4033238815	CERAMIC 2.2U Z 16V		4040901204	CERAMIC 0.01U K 50V
C1013	4040940104	ELECT 10U M 16V		4032152211	CERAMIC 0.01U K 50V
	4033831313	ELECT 10U M 16V	C3008	4041044900	CERAMIC 0.1U K 50V
C1014	4041034505	CERAMIC 0.1U K 16V		4040912606	CERAMIC 0.1U K 50V
	4040950509	CERAMIC 0.1U K 16V		4033670417	CERAMIC 0.1U K 50V
	4032989619	CERAMIC 0.1U K 16V	C3009	4041032907	CERAMIC 0.01U K 50V
C102	4033860917	ELECT 100U M 16V		4040901204	CERAMIC 0.01U K 50V
C1021	4041038206	CERAMIC 10P J 50V		4032152211	CERAMIC 0.01U K 50V
	4040946304	CERAMIC 10P J 50V	C3010	4040940104	ELECT 10U M 16V
C1024	4041038206	CERAMIC 10P J 50V		4033831313	ELECT 10U M 16V

Ref. No.	Part No.	Description	Ref. No.	Part No.	Description
C3011	4041044900	CERAMIC 0.1U K 50V		4040913306	CERAMIC 2200P K 50V
	4040912606	CERAMIC 0.1U K 50V		4031134119	CERAMIC 2200P K 50V
	4033670417	CERAMIC 0.1U K 50V	C3038	4041036608	CERAMIC 0.22U K 16V
C3012	4041032907	CERAMIC 0.01U K 50V		4032812412	CERAMIC 0.22U K 16V
	4040901204	CERAMIC 0.01U K 50V	C3039	4041036301	CERAMIC 0.33U K 16V
	4032152211	CERAMIC 0.01U K 50V		4034015712	CERAMIC 0.33U K 16V
C3013	4041044900	CERAMIC 0.1U K 50V	C3100	4041040209	CERAMIC 100P J 50V
	4040912606	CERAMIC 0.1U K 50V		4040946403	CERAMIC 100P J 50V
	4033670417	CERAMIC 0.1U K 50V	C3101	4041032402	CERAMIC 1000P K 50V
C3014	4041032907	CERAMIC 0.01U K 50V		4040901105	CERAMIC 1000P K 50V
	4040901204	CERAMIC 0.01U K 50V	C3102	4033238815	CERAMIC 2.2U Z 16V
	4032152211	CERAMIC 0.01U K 50V	C3103	4041032402	CERAMIC 1000P K 50V
C3015	4040940104	ELECT 10U M 16V		4040901105	CERAMIC 1000P K 50V
	4033831313	ELECT 10U M 16V	C3104	4041040209	CERAMIC 100P J 50V
C3016	4040940104	ELECT 10U M 16V		4040946403	CERAMIC 100P J 50V
	4033831313	ELECT 10U M 16V	C3105	4033238815	CERAMIC 2.2U Z 16V
C3017	4041045303	CERAMIC 0.015U K 50V	C3106	4033860917	ELECT 100U M 16V
	4040912903	CERAMIC 0.015U K 50V	C3107	4041034505	CERAMIC 0.1U K 16V
	4032152419	CERAMIC 0.015U K 50V		4040950509	CERAMIC 0.1U K 16V
C3018	4041045501	CERAMIC 0.018U K 50V		4032989619	CERAMIC 0.1U K 16V
	4040913108	CERAMIC 0.018U K 50V	C3108	4033860917	ELECT 100U M 16V
	4032725811	CERAMIC 0.018U K 50V	C3112	4041045709	CERAMIC 2200U K 50V
C3019	4041032907	CERAMIC 0.01U K 50V		4040913306	CERAMIC 2200P K 50V
	4040901204	CERAMIC 0.01U K 50V		4031134119	CERAMIC 2200P K 50V
	4032152211	CERAMIC 0.01U K 50V	C3113	4041045709	CERAMIC 2200U K 50V
C3020	4041045501	CERAMIC 0.018U K 50V		4040913306	CERAMIC 2200P K 50V
	4040913108	CERAMIC 0.018U K 50V		4031134119	CERAMIC 2200P K 50V
	4032725811	CERAMIC 0.018U K 50V	C400	4033860917	ELECT 100U M 16V
C3021	4041032907	CERAMIC 0.01U K 50V	C402	4041034505	CERAMIC 0.1U K 16V
	4040901204	CERAMIC 0.01U K 50V		4040950509	CERAMIC 0.1U K 16V
	4032152211	CERAMIC 0.01U K 50V		4032989619	CERAMIC 0.1U K 16V
C3022	4041045303	CERAMIC 0.015U K 50V	C403	4033860917	ELECT 100U M 16V
	4040912903	CERAMIC 0.015U K 50V	C405	4041034505	CERAMIC 0.1U K 16V
	4032152419	CERAMIC 0.015U K 50V		4040950509	CERAMIC 0.1U K 16V
C3023	4040940104	ELECT 10U M 16V		4032989619	CERAMIC 0.1U K 16V
	4033831313	ELECT 10U M 16V	C700	4040940104	ELECT 10U M 16V
C3024	4041036707	CERAMIC 0.47U K 16V		4033831313	ELECT 10U M 16V
	4041109807	CERAMIC 0.47U K 16V	C701	4041034505	CERAMIC 0.1U K 16V
	4033363517	CERAMIC 0.47U K 16V		4040950509	CERAMIC 0.1U K 16V
C3025	4041036707	CERAMIC 0.47U K 16V		4032989619	CERAMIC 0.1U K 16V
	4041109807	CERAMIC 0.47U K 16V	C705	4041034505	CERAMIC 0.1U K 16V
	4033363517	CERAMIC 0.47U K 16V		4040950509	CERAMIC 0.1U K 16V
C3026	4040940104	ELECT 10U M 16V		4032989619	CERAMIC 0.1U K 16V
	4033831313	ELECT 10U M 16V	C7200	4041034505	CERAMIC 0.1U K 16V
C3027	4041044900	CERAMIC 0.1U K 50V		4040950509	CERAMIC 0.1U K 16V
	4040912606	CERAMIC 0.1U K 50V		4032989619	CERAMIC 0.1U K 16V
	4033670417	CERAMIC 0.1U K 50V	C7201	4041034505	CERAMIC 0.1U K 16V
C3028	4040940104	ELECT 10U M 16V		4040950509	CERAMIC 0.1U K 16V
	4033831313	ELECT 10U M 16V		4032989619	CERAMIC 0.1U K 16V
C3029	4040940104	ELECT 10U M 16V	C7202	4041034505	CERAMIC 0.1U K 16V
	4033831313	ELECT 10U M 16V		4040950509	CERAMIC 0.1U K 16V
C3031	4041045709	CERAMIC 2200U K 50V		4032989619	CERAMIC 0.1U K 16V
	4040913306	CERAMIC 2200P K 50V	C7204	4041040308	CERAMIC 1000P J 50V
	4031134119	CERAMIC 2200P K 50V		4040946502	CERAMIC 1000P J 50V
C3032	4041032907	CERAMIC 0.01U K 50V		4032653213	CERAMIC 1000P J 50V
	4040901204	CERAMIC 0.01U K 50V	C7205	4041046706	CERAMIC 0.047U K 50V
	4032152211	CERAMIC 0.01U K 50V		4040914501	CERAMIC 0.047U K 50V
C3033	4040940104	ELECT 10U M 16V	C7206	4041046706	CERAMIC 0.047U K 50V
	4033831313	ELECT 10U M 16V		4040914501	CERAMIC 0.047U K 50V
C3034	4040940104	ELECT 10U M 16V	C7207	4041046706	CERAMIC 0.047U K 50V
	4033831313	ELECT 10U M 16V		4040914501	CERAMIC 0.047U K 50V
C3035	4041036707	CERAMIC 0.47U K 16V	C7208	4041034505	CERAMIC 0.1U K 16V
	4033363517	CERAMIC 0.47U K 16V		4040950509	CERAMIC 0.1U K 16V
C3036	4041046102	CERAMIC 3300P K 50V		4032989619	CERAMIC 0.1U K 16V
	4040913900	CERAMIC 3300P K 50V	C7209	4041034505	CERAMIC 0.1U K 16V
	4031552210	CERAMIC 3300P K 50V		4040950509	CERAMIC 0.1U K 16V
C3037	4041045709	CERAMIC 2200U K 50V		4032989619	CERAMIC 0.1U K 16V

Ref. No.	Part No.	Description	Ref. No.	Part No.	Description
C7211	4041034505	CERAMIC 0.1U K 16V		4041109807	CERAMIC 0.47U K 16V
	4040950509	CERAMIC 0.1U K 16V		4033363517	CERAMIC 0.47U K 16V
	4032989619	CERAMIC 0.1U K 16V	C7345	4041038206	CERAMIC 10P J 50V
C7212	4041040308	CERAMIC 1000P J 50V		4040946304	CERAMIC 10P J 50V
	4040946502	CERAMIC 1000P J 50V	C7346	4041038206	CERAMIC 10P J 50V
	4032653213	CERAMIC 1000P J 50V		4040946304	CERAMIC 10P J 50V
C7213	4041034505	CERAMIC 0.1U K 16V	C7347	4041040308	CERAMIC 1000P J 50V
	4040950509	CERAMIC 0.1U K 16V		4040946502	CERAMIC 1000P J 50V
	4032989619	CERAMIC 0.1U K 16V		4032653213	CERAMIC 1000P J 50V
C7214	4041034505	CERAMIC 0.1U K 16V	C7348	4033841411	ELECT 47U M 16V
	4040950509	CERAMIC 0.1U K 16V	C7349	4040940104	ELECT 10U M 16V
	4032989619	CERAMIC 0.1U K 16V		4033831313	ELECT 10U M 16V
C7215	4041046706	CERAMIC 0.047U K 50V	C7351	4041045709	CERAMIC 2200U K 50V
	4040914501	CERAMIC 0.047U K 50V		4040913306	CERAMIC 2200P K 50V
C7216	4041046706	CERAMIC 0.047U K 50V	C7352	4033238815	CERAMIC 2.2U Z 16V
	4040914501	CERAMIC 0.047U K 50V	C7353	4033238815	CERAMIC 2.2U Z 16V
C7217	4041046706	CERAMIC 0.047U K 50V	C741	4041034505	CERAMIC 0.1U K 16V
	4040914501	CERAMIC 0.047U K 50V		4040950509	CERAMIC 0.1U K 16V
C7218	4041046706	CERAMIC 0.047U K 50V		4032989619	CERAMIC 0.1U K 16V
	4040914501	CERAMIC 0.047U K 50V	C742	4041034505	CERAMIC 0.1U K 16V
C7219	4041046706	CERAMIC 0.047U K 50V		4040950509	CERAMIC 0.1U K 16V
	4040914501	CERAMIC 0.047U K 50V		4032989619	CERAMIC 0.1U K 16V
C7220	4041046706	CERAMIC 0.047U K 50V	C7500	4033860917	ELECT 100U M 16V
	4040914501	CERAMIC 0.047U K 50V	C7501	4041034505	CERAMIC 0.1U K 16V
C7221	4041046706	CERAMIC 0.047U K 50V		4040950509	CERAMIC 0.1U K 16V
	4040914501	CERAMIC 0.047U K 50V		4032989619	CERAMIC 0.1U K 16V
C7223	4040940104	ELECT 10U M 16V	C7502	4041034505	CERAMIC 0.1U K 16V
	4033831313	ELECT 10U M 16V		4040950509	CERAMIC 0.1U K 16V
C7224	4041034505	CERAMIC 0.1U K 16V		4032989619	CERAMIC 0.1U K 16V
	4040950509	CERAMIC 0.1U K 16V	C7503	4033860917	ELECT 100U M 16V
	4032989619	CERAMIC 0.1U K 16V	C7504	4033712315	ELECT 470U M 16V
C7225	4041034505	CERAMIC 0.1U K 16V		4033781618	ELECT 470U M 16V
	4040950509	CERAMIC 0.1U K 16V	C7505	4041034505	CERAMIC 0.1U K 16V
	4032989619	CERAMIC 0.1U K 16V		4040950509	CERAMIC 0.1U K 16V
C7226	4040940104	ELECT 10U M 16V		4032989619	CERAMIC 0.1U K 16V
	4033915518	ELECT 10U M 16V	C7506	4033860917	ELECT 100U M 16V
C7227	4041034505	CERAMIC 0.1U K 16V	C7507	4041034505	CERAMIC 0.1U K 16V
	4040950509	CERAMIC 0.1U K 16V		4040950509	CERAMIC 0.1U K 16V
	4032989619	CERAMIC 0.1U K 16V		4032989619	CERAMIC 0.1U K 16V
C7228	4034032719	ELECT 4.7U M 35V	C7508	4041034505	CERAMIC 0.1U K 16V
C7229	4040949701	CERAMIC 1U Z 10V		4040950509	CERAMIC 0.1U K 16V
C725	4041034505	CERAMIC 0.1U K 16V		4032989619	CERAMIC 0.1U K 16V
	4040950509	CERAMIC 0.1U K 16V	C7509	4033841411	ELECT 47U M 16V
	4032989619	CERAMIC 0.1U K 16V	C7510	4033860917	ELECT 100U M 16V
C7255	4041044900	CERAMIC 0.1U K 50V	C7511	4041034505	CERAMIC 0.1U K 16V
	4040912606	CERAMIC 0.1U K 50V		4040950509	CERAMIC 0.1U K 16V
	4033670417	CERAMIC 0.1U K 50V		4032989619	CERAMIC 0.1U K 16V
C7330	4033238815	CERAMIC 2.2U Z 16V	C7514	4034030319	ELECT 220U M 10V
C7331	4033238815	CERAMIC 2.2U Z 16V	C7515	4033156812	CERAMIC 4.7U Z 16V
C7332	4033238815	CERAMIC 2.2U Z 16V	C7516	4033940916	ELECT 22U M 6.3V
C7333	4033238815	CERAMIC 2.2U Z 16V	C7517	4041034505	CERAMIC 0.1U K 16V
C7334	4041034505	CERAMIC 0.1U K 16V		4040950509	CERAMIC 0.1U K 16V
	4040950509	CERAMIC 0.1U K 16V		4032989619	CERAMIC 0.1U K 16V
	4032989619	CERAMIC 0.1U K 16V	C7518	4041034505	CERAMIC 0.1U K 16V
C7335	4033238815	CERAMIC 2.2U Z 16V		4040950509	CERAMIC 0.1U K 16V
C7336	4033238815	CERAMIC 2.2U Z 16V		4032989619	CERAMIC 0.1U K 16V
C7337	4040944300	CERAMIC 2200P Z 50V	C7519	4033841411	ELECT 47U M 16V
C7338	4040944300	CERAMIC 2200P Z 50V	C752	4040940104	ELECT 10U M 16V
C7339	4040944300	CERAMIC 2200P Z 50V		4033831313	ELECT 10U M 16V
C7340	4040944300	CERAMIC 2200P Z 50V	C7520	4040940104	ELECT 10U M 16V
C7341	4041040209	CERAMIC 100P J 50V		4033831313	ELECT 10U M 16V
	4040946403	CERAMIC 100P J 50V	C7521	4041034505	CERAMIC 0.1U K 16V
C7342	4041040209	CERAMIC 100P J 50V		4040950509	CERAMIC 0.1U K 16V
	4040946403	CERAMIC 100P J 50V		4032989619	CERAMIC 0.1U K 16V
C7343	4041040209	CERAMIC 100P J 50V	C7522	4041034505	CERAMIC 0.1U K 16V
	4040946403	CERAMIC 100P J 50V		4040950509	CERAMIC 0.1U K 16V
C7344	4041036707	CERAMIC 0.47U K 16V		4032989619	CERAMIC 0.1U K 16V

Ref. No.	Part No.	Description	Ref. No.	Part No.	Description
C7524	4041034505	CERAMIC 0.1U K 16V		4032989619	CERAMIC 0.1U K 16V
	4040950509	CERAMIC 0.1U K 16V	C7555	4040950509	CERAMIC 0.1U K 16V
	4032989619	CERAMIC 0.1U K 16V		4032989619	CERAMIC 0.1U K 16V
C753	4041034505	CERAMIC 0.1U K 16V	C7556	4040950509	CERAMIC 0.1U K 16V
	4040950509	CERAMIC 0.1U K 16V		4032989619	CERAMIC 0.1U K 16V
	4032989619	CERAMIC 0.1U K 16V	C7557	4040950509	CERAMIC 0.1U K 16V
C7533	4041034505	CERAMIC 0.1U K 16V		4032989619	CERAMIC 0.1U K 16V
	4040950509	CERAMIC 0.1U K 16V	C7558	4040940104	ELECT 10U M 16V
	4032989619	CERAMIC 0.1U K 16V		4033831313	ELECT 10U M 16V
C7534	4041034505	CERAMIC 0.1U K 16V	C7559	4040950509	CERAMIC 0.1U K 16V
	4040950509	CERAMIC 0.1U K 16V		4032989619	CERAMIC 0.1U K 16V
	4032989619	CERAMIC 0.1U K 16V	C7560	4040940104	ELECT 10U M 16V
C7535	4041034505	CERAMIC 0.1U K 16V		4033831313	ELECT 10U M 16V
	4040950509	CERAMIC 0.1U K 16V	C7561	4041034505	CERAMIC 0.1U K 16V
	4032989619	CERAMIC 0.1U K 16V		4040950509	CERAMIC 0.1U K 16V
C7536	4041034505	CERAMIC 0.1U K 16V		4032989619	CERAMIC 0.1U K 16V
	4040950509	CERAMIC 0.1U K 16V	C7562	4040940104	ELECT 10U M 16V
	4032989619	CERAMIC 0.1U K 16V		4033831313	ELECT 10U M 16V
C7537	4041032907	CERAMIC 0.01U K 50V	C7563	4041034505	CERAMIC 0.1U K 16V
	4040901204	CERAMIC 0.01U K 50V		4040950509	CERAMIC 0.1U K 16V
	4032152211	CERAMIC 0.01U K 50V		4032989619	CERAMIC 0.1U K 16V
C7538	4041032907	CERAMIC 0.01U K 50V	C7564	4040940104	ELECT 10U M 16V
	4040901204	CERAMIC 0.01U K 50V		4033831313	ELECT 10U M 16V
	4032152211	CERAMIC 0.01U K 50V	C7565	4041034505	CERAMIC 0.1U K 16V
C7539	4041032907	CERAMIC 0.01U K 50V		4040950509	CERAMIC 0.1U K 16V
	4040901204	CERAMIC 0.01U K 50V		4032989619	CERAMIC 0.1U K 16V
	4032152211	CERAMIC 0.01U K 50V	C7566	4041032907	CERAMIC 0.01U K 50V
C7540	4041034505	CERAMIC 0.1U K 16V		4040901204	CERAMIC 0.01U K 50V
	4040950509	CERAMIC 0.1U K 16V		4032152211	CERAMIC 0.01U K 50V
	4032989619	CERAMIC 0.1U K 16V	C7567	4040940104	ELECT 10U M 16V
C7541	4041040308	CERAMIC 1000P J 50V		4033831313	ELECT 10U M 16V
C7541	4040946502	CERAMIC 1000P J 50V	C7568	4041034505	CERAMIC 0.1U K 16V
	4032653213	CERAMIC 1000P J 50V		4040950509	CERAMIC 0.1U K 16V
C7542	4041040308	CERAMIC 1000P J 50V		4032989619	CERAMIC 0.1U K 16V
	4040946502	CERAMIC 1000P J 50V	C7569	4041034505	CERAMIC 0.1U K 16V
	4032653213	CERAMIC 1000P J 50V		4040950509	CERAMIC 0.1U K 16V
C7543	4041034505	CERAMIC 0.1U K 16V		4032989619	CERAMIC 0.1U K 16V
	4040950509	CERAMIC 0.1U K 16V	C7570	4041034505	CERAMIC 0.1U K 16V
	4032989619	CERAMIC 0.1U K 16V		4040950509	CERAMIC 0.1U K 16V
C7544	4040940104	ELECT 10U M 16V		4032989619	CERAMIC 0.1U K 16V
	4033831313	ELECT 10U M 16V	C7571	4041034505	CERAMIC 0.1U K 16V
C7545	4041034505	CERAMIC 0.1U K 16V		4040950509	CERAMIC 0.1U K 16V
	4040950509	CERAMIC 0.1U K 16V		4032989619	CERAMIC 0.1U K 16V
	4032989619	CERAMIC 0.1U K 16V	C7572	4041034505	CERAMIC 0.1U K 16V
C7546	4041034505	CERAMIC 0.1U K 16V		4040950509	CERAMIC 0.1U K 16V
	4040950509	CERAMIC 0.1U K 16V		4032989619	CERAMIC 0.1U K 16V
	4032989619	CERAMIC 0.1U K 16V	C7573	4041034505	CERAMIC 0.1U K 16V
C7547	4040940104	ELECT 10U M 16V		4040950509	CERAMIC 0.1U K 16V
	4033831313	ELECT 10U M 16V		4032989619	CERAMIC 0.1U K 16V
C7548	4041034505	CERAMIC 0.1U K 16V	C7574	4041034505	CERAMIC 0.1U K 16V
	4040950509	CERAMIC 0.1U K 16V		4040950509	CERAMIC 0.1U K 16V
	4032989619	CERAMIC 0.1U K 16V		4032989619	CERAMIC 0.1U K 16V
C7549	4041034505	CERAMIC 0.1U K 16V	C7575	4040940104	ELECT 10U M 16V
	4040950509	CERAMIC 0.1U K 16V		4033831313	ELECT 10U M 16V
	4032989619	CERAMIC 0.1U K 16V	C7576	4041034505	CERAMIC 0.1U K 16V
C7550	4041034505	CERAMIC 0.1U K 16V		4040950509	CERAMIC 0.1U K 16V
	4040950509	CERAMIC 0.1U K 16V		4032989619	CERAMIC 0.1U K 16V
	4032989619	CERAMIC 0.1U K 16V	C7577	4041034505	CERAMIC 0.1U K 16V
C7551	4041034505	CERAMIC 0.1U K 16V		4040950509	CERAMIC 0.1U K 16V
	4040950509	CERAMIC 0.1U K 16V		4032989619	CERAMIC 0.1U K 16V
	4032989619	CERAMIC 0.1U K 16V	C7578	4041034505	CERAMIC 0.1U K 16V
C7552	4040940104	ELECT 10U M 16V		4040950509	CERAMIC 0.1U K 16V
	4033831313	ELECT 10U M 16V		4032989619	CERAMIC 0.1U K 16V
C7553	4041034505	CERAMIC 0.1U K 16V	C7579	4041034505	CERAMIC 0.1U K 16V
	4040950509	CERAMIC 0.1U K 16V		4040950509	CERAMIC 0.1U K 16V
	4032989619	CERAMIC 0.1U K 16V		4032989619	CERAMIC 0.1U K 16V
C7554	4040950509	CERAMIC 0.1U K 16V	C7580	4041034505	CERAMIC 0.1U K 16V

Ref. No.	Part No.	Description	Ref. No.	Part No.	Description
	4040950509	CERAMIC 0.1U K 16V		6520019973	R-NETWORK 100X4 0.063W
	4032989619	CERAMIC 0.1U K 16V	RB7210	6450210358	R-NETWORK 100X4 0.063W
C7800	4033712315	ELECT 470U M 16V		6520019706	R-NETWORK 100X4 0.063W
	4033781618	ELECT 470U M 16V		6520019973	R-NETWORK 100X4 0.063W
C7801	4041034505	CERAMIC 0.1U K 16V	RB7211	6450210358	R-NETWORK 100X4 0.063W
	4040950509	CERAMIC 0.1U K 16V		6520019706	R-NETWORK 100X4 0.063W
	4032989619	CERAMIC 0.1U K 16V		6520019973	R-NETWORK 100X4 0.063W
C7802	4040940104	ELECT 10U M 16V	RB7212	6450210426	R-NETWORK 4.7KX4 0.063W
	4033831313	ELECT 10U M 16V		6520019720	R-NETWORK 4.7KX4 0.063W
C7803	4041034505	CERAMIC 0.1U K 16V		6520019911	R-NETWORK 4.7KX4 0.063W
	4040950509	CERAMIC 0.1U K 16V	RB7213	6450210426	R-NETWORK 4.7KX4 0.063W
	4032989619	CERAMIC 0.1U K 16V		6520019720	R-NETWORK 4.7KX4 0.063W
C8000	4041034505	CERAMIC 0.1U K 16V		6520019911	R-NETWORK 4.7KX4 0.063W
	4040950509	CERAMIC 0.1U K 16V	RB7214	6450210358	R-NETWORK 100X4 0.063W
	4032989619	CERAMIC 0.1U K 16V		6520019706	R-NETWORK 100X4 0.063W
C8001	4040940104	ELECT 10U M 16V		6520019973	R-NETWORK 100X4 0.063W
	4033831313	ELECT 10U M 16V	RB7215	6450210358	R-NETWORK 100X4 0.063W
C8002	4041034505	CERAMIC 0.1U K 16V		6520019706	R-NETWORK 100X4 0.063W
	4040950509	CERAMIC 0.1U K 16V		6520019973	R-NETWORK 100X4 0.063W
	4032989619	CERAMIC 0.1U K 16V	R003	4012566311	MT-GLAZE 47K JA 1/10W
C8003	4041034505	CERAMIC 0.1U K 16V	R004	4011505915	MT-GLAZE 10K JA 1/10W
	4040950509	CERAMIC 0.1U K 16V	R005	4012556510	MT-GLAZE 100 JA 1/10W
	4032989619	CERAMIC 0.1U K 16V	R007	4011506011	MT-GLAZE 0.000 ZA 1/10W
C8004	4040940104	ELECT 10U M 16V	R008	4011506011	MT-GLAZE 0.000 ZA 1/10W
	4033831313	ELECT 10U M 16V	R009	4011505915	MT-GLAZE 10K JA 1/10W
C8005	4041040209	CERAMIC 100P J 50V	R010	4011505915	MT-GLAZE 10K JA 1/10W
	4040946403	CERAMIC 100P J 50V	R011	4012764717	MT-GLAZE 0.000 ZA 1/3W
	4031573611	CERAMIC 100P J 50V	R012	4012764717	MT-GLAZE 0.000 ZA 1/3W
C8006	4041040209	CERAMIC 100P J 50V	R018	4012764717	MT-GLAZE 0.000 ZA 1/3W
	4040946403	CERAMIC 100P J 50V	R019	4012764717	MT-GLAZE 0.000 ZA 1/3W
	4031573611	CERAMIC 100P J 50V	R025	4011505915	MT-GLAZE 10K JA 1/10W
C8007	4041040209	CERAMIC 100P J 50V	R026	4012566311	MT-GLAZE 47K JA 1/10W
	4040946403	CERAMIC 100P J 50V	R027	4011506011	MT-GLAZE 0.000 ZA 1/10W
	4031573611	CERAMIC 100P J 50V	R028	4011505915	MT-GLAZE 10K JA 1/10W
C8008	4040940104	ELECT 10U M 16V	R029	4011624111	MT-GLAZE 5.6K JA 1/10W
	4033831313	ELECT 10U M 16V	R030	4012764717	MT-GLAZE 0.000 ZA 1/3W
			R031	4012764717	MT-GLAZE 0.000 ZA 1/3W
<b>RESISTOR</b>			R032	4011506219	MT-GLAZE 1K JA 1/10W
RB7200	6450210358	R-NETWORK 100X4 0.063W	R033	4011506219	MT-GLAZE 1K JA 1/10W
	6520019706	R-NETWORK 100X4 0.063W	R034	4011505915	MT-GLAZE 10K JA 1/10W
	6520019973	R-NETWORK 100X4 0.063W	R035	4011624111	MT-GLAZE 5.6K JA 1/10W
RB7201	6450210358	R-NETWORK 100X4 0.063W	R037	4012556510	MT-GLAZE 100 JA 1/10W
	6520019706	R-NETWORK 100X4 0.063W	R039	4011506011	MT-GLAZE 0.000 ZA 1/10W
	6520019973	R-NETWORK 100X4 0.063W	R041	4011622414	MT-GLAZE 1.2K JA 1/10W
RB7202	6450210358	R-NETWORK 100X4 0.063W	R042	4011622414	MT-GLAZE 1.2K JA 1/10W
	6520019706	R-NETWORK 100X4 0.063W	R043	4011505915	MT-GLAZE 10K JA 1/10W
	6520019973	R-NETWORK 100X4 0.063W	R045	4011506011	MT-GLAZE 0.000 ZA 1/10W
RB7203	6450210358	R-NETWORK 100X4 0.063W	R046	4011506011	MT-GLAZE 0.000 ZA 1/10W
	6520019706	R-NETWORK 100X4 0.063W	R048	4011506011	MT-GLAZE 0.000 ZA 1/10W
	6520019973	R-NETWORK 100X4 0.063W	R050	4011506011	MT-GLAZE 0.000 ZA 1/10W
RB7204	6450210358	R-NETWORK 100X4 0.063W	R051	4011506011	MT-GLAZE 0.000 ZA 1/10W
	6520019706	R-NETWORK 100X4 0.063W	R057	4011623718	MT-GLAZE 4.7K JA 1/10W
	6520019973	R-NETWORK 100X4 0.063W	R058	4011623718	MT-GLAZE 4.7K JA 1/10W
RB7205	6450210358	R-NETWORK 100X4 0.063W	R1000	4012562719	MT-GLAZE 75 JA 1/10W
	6520019706	R-NETWORK 100X4 0.063W	R1001	4012565611	MT-GLAZE 47 JA 1/10W
	6520019973	R-NETWORK 100X4 0.063W	R1002	4011505816	MT-GLAZE 100K JA 1/10W
RB7206	6450588846	R-NETWORK 33X4 0.063W	R1003	4011505915	MT-GLAZE 10K JA 1/10W
	6520019812	R-NETWORK 33X4 0.063W	R1004	4012560418	MT-GLAZE 12K JA 1/10W
	6520020030	R-NETWORK 33X4 0.063W	R1005	4011505816	MT-GLAZE 100K JA 1/10W
RB7207	6450210358	R-NETWORK 100X4 0.063W	R1006	4011505915	MT-GLAZE 10K JA 1/10W
	6520019706	R-NETWORK 100X4 0.063W	R1007	4012560418	MT-GLAZE 12K JA 1/10W
	6520019973	R-NETWORK 100X4 0.063W	R1008	4011505816	MT-GLAZE 100K JA 1/10W
RB7208	6450210358	R-NETWORK 100X4 0.063W	R1009	4011505915	MT-GLAZE 10K JA 1/10W
	6520019706	R-NETWORK 100X4 0.063W	R101	4012556510	MT-GLAZE 100 JA 1/10W
	6520019973	R-NETWORK 100X4 0.063W	R1010	4012566311	MT-GLAZE 47K JA 1/10W
RB7209	6450210358	R-NETWORK 100X4 0.063W	R1011	4012560111	MT-GLAZE 8.2K JA 1/10W
	6520019706	R-NETWORK 100X4 0.063W	R1012	4011623718	MT-GLAZE 4.7K JA 1/10W



Ref. No.	Part No.	Description	Ref. No.	Part No.	Description
R1013	4012565611	MT-GLAZE 47 JA 1/10W	R3007	4011506011	MT-GLAZE 0.000 ZA 1/10W
R1014	4012565611	MT-GLAZE 47 JA 1/10W	R3010	4011506011	MT-GLAZE 0.000 ZA 1/10W
R1015	4011505915	MT-GLAZE 10K JA 1/10W	R3011	4011506011	MT-GLAZE 0.000 ZA 1/10W
R1016	4012566311	MT-GLAZE 47K JA 1/10W	R3012	4011623718	MT-GLAZE 4.7K JA 1/10W
R1017	4012560111	MT-GLAZE 8.2K JA 1/10W	R3013	4011623718	MT-GLAZE 4.7K JA 1/10W
R1018	4011623718	MT-GLAZE 4.7K JA 1/10W	R3014	4011506011	MT-GLAZE 0.000 ZA 1/10W
R1019	4012565611	MT-GLAZE 47 JA 1/10W	R3015	4011506011	MT-GLAZE 0.000 ZA 1/10W
R102	4012556510	MT-GLAZE 100 JA 1/10W	R3016	4011506011	MT-GLAZE 0.000 ZA 1/10W
R1020	4012565611	MT-GLAZE 47 JA 1/10W	R3022	4011506011	MT-GLAZE 0.000 ZA 1/10W
R1021	4012562719	MT-GLAZE 75 JA 1/10W	R3023	4012556510	MT-GLAZE 100 JA 1/10W
R1022	4012562719	MT-GLAZE 75 JA 1/10W	R3100	4011623411	MT-GLAZE 39K JA 1/10W
R1023	4011506011	MT-GLAZE 0.000 ZA 1/10W	R3101	4011624012	MT-GLAZE 560 JA 1/10W
R1024	4011623817	MT-GLAZE 470K JA 1/10W	R3102	4012566311	MT-GLAZE 47K JA 1/10W
R1025	4011623817	MT-GLAZE 470K JA 1/10W	R3103	4011505915	MT-GLAZE 10K JA 1/10W
R1026	4012562719	MT-GLAZE 75 JA 1/10W	R3104	4011505915	MT-GLAZE 10K JA 1/10W
R1027	4012565611	MT-GLAZE 47 JA 1/10W	R3105	4011623411	MT-GLAZE 39K JA 1/10W
R1028	4011623619	MT-GLAZE 470 JA 1/10W	R3106	4011624012	MT-GLAZE 560 JA 1/10W
R1029	4012562719	MT-GLAZE 75 JA 1/10W	R3107	4012566311	MT-GLAZE 47K JA 1/10W
R103	4012567318	MT-GLAZE 6.8K JA 1/10W	R3108	4012561712	MT-GLAZE 33K JA 1/10W
R1030	4011506011	MT-GLAZE 0.000 ZA 1/10W	R3109	4012561712	MT-GLAZE 33K JA 1/10W
R1031	4011505915	MT-GLAZE 10K JA 1/10W	R3110	4012556510	MT-GLAZE 100 JA 1/10W
R1032	4012560418	MT-GLAZE 12K JA 1/10W	R3114	4011506011	MT-GLAZE 0.000 ZA 1/10W
R1034	4012562719	MT-GLAZE 75 JA 1/10W	R3115	4011506011	MT-GLAZE 0.000 ZA 1/10W
R1035	4011506011	MT-GLAZE 0.000 ZA 1/10W	R405	4012560111	MT-GLAZE 8.2K JA 1/10W
R1036	4011505915	MT-GLAZE 10K JA 1/10W	R700	4012556015	MT-GLAZE 1M JA 1/10W
R1037	4012560418	MT-GLAZE 12K JA 1/10W	R701	4011506219	MT-GLAZE 1K JA 1/10W
R104	4012563617	MT-GLAZE 15K JA 1/10W	R702	4011506219	MT-GLAZE 1K JA 1/10W
R105	4011623015	MT-GLAZE 22K JA 1/10W	R703	4011505915	MT-GLAZE 10K JA 1/10W
R106	4011506011	MT-GLAZE 0.000 ZA 1/10W	R704	4012556510	MT-GLAZE 100 JA 1/10W
R107	4012562719	MT-GLAZE 75 JA 1/10W	R705	4012556510	MT-GLAZE 100 JA 1/10W
R108	4011505915	MT-GLAZE 10K JA 1/10W	R706	4011623718	MT-GLAZE 4.7K JA 1/10W
R109	4011505915	MT-GLAZE 10K JA 1/10W	R707	4011622216	MT-GLAZE 10 JA 1/10W
R110	4011623619	MT-GLAZE 470 JA 1/10W	R708	4011622216	MT-GLAZE 10 JA 1/10W
R111	4012566519	MT-GLAZE 68 JA 1/10W	R709	4011622216	MT-GLAZE 10 JA 1/10W
R118	4012764717	MT-GLAZE 0.000 ZA 1/3W	R710	4011622216	MT-GLAZE 10 JA 1/10W
R119	4012764717	MT-GLAZE 0.000 ZA 1/3W	R711	4011622216	MT-GLAZE 10 JA 1/10W
R120	4012565611	MT-GLAZE 47 JA 1/10W	R712	4011622216	MT-GLAZE 10 JA 1/10W
R125	4011506011	MT-GLAZE 0.000 ZA 1/10W	R713	4011622216	MT-GLAZE 10 JA 1/10W
R1500	4011623718	MT-GLAZE 4.7K JA 1/10W	R714	4011622216	MT-GLAZE 10 JA 1/10W
R1502	4011506011	MT-GLAZE 0.000 ZA 1/10W	R715	4012560715	MT-GLAZE 33 JA 1/10W
R1503	4011623718	MT-GLAZE 4.7K JA 1/10W	R716	4012560715	MT-GLAZE 33 JA 1/10W
R1506	4011506011	MT-GLAZE 0.000 ZA 1/10W	R717	4012556015	MT-GLAZE 1M JA 1/10W
R1507	4011506011	MT-GLAZE 0.000 ZA 1/10W	R718	4011506219	MT-GLAZE 1K JA 1/10W
R1508	4011623718	MT-GLAZE 4.7K JA 1/10W	R719	4011505915	MT-GLAZE 10K JA 1/10W
R1509	4011623718	MT-GLAZE 4.7K JA 1/10W	R720	4011506219	MT-GLAZE 1K JA 1/10W
R1510	4012562719	MT-GLAZE 75 JA 1/10W	R7200	4012650218	MT-GLAZE 390 FA 1/10W
R1511	4012562719	MT-GLAZE 75 JA 1/10W	R7201	4012565611	MT-GLAZE 47 JA 1/10W
R1512	4012562719	MT-GLAZE 75 JA 1/10W	R7202	4012565611	MT-GLAZE 47 JA 1/10W
R1513	4012565611	MT-GLAZE 47 JA 1/10W	R7203	4012558712	MT-GLAZE 22 JA 1/10W
R1514	4012565611	MT-GLAZE 47 JA 1/10W	R7204	4012558712	MT-GLAZE 22 JA 1/10W
R1515	4012565611	MT-GLAZE 47 JA 1/10W	R7205	4012558712	MT-GLAZE 22 JA 1/10W
R1516	4012556510	MT-GLAZE 100 JA 1/10W	R7206	4012565611	MT-GLAZE 47 JA 1/10W
R1517	4012556510	MT-GLAZE 100 JA 1/10W	R7207	4012565611	MT-GLAZE 47 JA 1/10W
R1518	4011623619	MT-GLAZE 470 JA 1/10W	R7208	4012563617	MT-GLAZE 15K JA 1/10W
R1519	4012560418	MT-GLAZE 12K JA 1/10W	R7209	4011623718	MT-GLAZE 4.7K JA 1/10W
R1520	4012560418	MT-GLAZE 12K JA 1/10W	R721	4012556510	MT-GLAZE 100 JA 1/10W
R1521	4011505915	MT-GLAZE 10K JA 1/10W	R7210	4011523216	MT-GLAZE 330 JA 1/10W
R1522	4011505915	MT-GLAZE 10K JA 1/10W	R7211	4012555919	MT-GLAZE 200 JA 1/10W
R1524	4011505915	MT-GLAZE 10K JA 1/10W	R7212	4012566519	MT-GLAZE 68 JA 1/10W
R1526	4011506011	MT-GLAZE 0.000 ZA 1/10W	R7213	4012556510	MT-GLAZE 100 JA 1/10W
R1528	4011506011	MT-GLAZE 0.000 ZA 1/10W	R7214	4012564119	MT-GLAZE 56 JA 1/10W
R3000	4012642916	MT-GLAZE 12K FA 1/10W	R7216	4011506011	MT-GLAZE 0.000 ZA 1/10W
R3001	4012642916	MT-GLAZE 12K FA 1/10W	R7217	4011623015	MT-GLAZE 22K JA 1/10W
R3002	4012764717	MT-GLAZE 0.000 ZA 1/3W	R7218	4011623015	MT-GLAZE 22K JA 1/10W
R3003	4012764717	MT-GLAZE 0.000 ZA 1/3W	R7219	4011623015	MT-GLAZE 22K JA 1/10W
R3004	4011505816	MT-GLAZE 100K JA 1/10W	R722	4012556510	MT-GLAZE 100 JA 1/10W
R3006	4011506318	MT-GLAZE 200K JA 1/10W	R7220	4011623015	MT-GLAZE 22K JA 1/10W

Ref. No.	Part No.	Description	Ref. No.	Part No.	Description
R7221	4011506011	MT-GLAZE 0.000 ZA 1/10W	R7393	4012764717	MT-GLAZE 0.000 ZA 1/3W
R7222	4011623718	MT-GLAZE 4.7K JA 1/10W	R7394	4012764717	MT-GLAZE 0.000 ZA 1/3W
R7223	4011623718	MT-GLAZE 4.7K JA 1/10W	R7395	4012764717	MT-GLAZE 0.000 ZA 1/3W
R7224	4011623718	MT-GLAZE 4.7K JA 1/10W	R7396	4012764717	MT-GLAZE 0.000 ZA 1/3W
R7225	4011623718	MT-GLAZE 4.7K JA 1/10W	R7397	4012764717	MT-GLAZE 0.000 ZA 1/3W
R7226	4011623718	MT-GLAZE 4.7K JA 1/10W	R7398	4012764717	MT-GLAZE 0.000 ZA 1/3W
R7227	4011623718	MT-GLAZE 4.7K JA 1/10W	R7399	4012764717	MT-GLAZE 0.000 ZA 1/3W
R723	4011623718	MT-GLAZE 4.7K JA 1/10W	R740	4011623718	MT-GLAZE 4.7K JA 1/10W
R7238	4011623015	MT-GLAZE 22K JA 1/10W	R7400	4012764717	MT-GLAZE 0.000 ZA 1/3W
R724	4011622216	MT-GLAZE 10 JA 1/10W	R7401	4012764717	MT-GLAZE 0.000 ZA 1/3W
R725	4011622216	MT-GLAZE 10 JA 1/10W	R7402	4012764717	MT-GLAZE 0.000 ZA 1/3W
R726	4011622216	MT-GLAZE 10 JA 1/10W	R7403	4012764717	MT-GLAZE 0.000 ZA 1/3W
R727	4011622216	MT-GLAZE 10 JA 1/10W	R7404	4012764717	MT-GLAZE 0.000 ZA 1/3W
R728	4011622216	MT-GLAZE 10 JA 1/10W	R7405	4012764717	MT-GLAZE 0.000 ZA 1/3W
R729	4011622216	MT-GLAZE 10 JA 1/10W	R7406	4012764717	MT-GLAZE 0.000 ZA 1/3W
R730	4011622216	MT-GLAZE 10 JA 1/10W	R7407	4012764717	MT-GLAZE 0.000 ZA 1/3W
R731	4011622216	MT-GLAZE 10 JA 1/10W	R7408	4012582618	MT-GLAZE 150 FA 1/10W
R732	4012560715	MT-GLAZE 33 JA 1/10W	R7500	4011623718	MT-GLAZE 4.7K JA 1/10W
R733	4012560715	MT-GLAZE 33 JA 1/10W	R7501	4011623718	MT-GLAZE 4.7K JA 1/10W
R7339	4012556510	MT-GLAZE 100 JA 1/10W	R7502	4011505915	MT-GLAZE 10K JA 1/10W
R734	4011623718	MT-GLAZE 4.7K JA 1/10W	R7503	4011623718	MT-GLAZE 4.7K JA 1/10W
R7342	4012558712	MT-GLAZE 22 JA 1/10W	R7504	4011505915	MT-GLAZE 10K JA 1/10W
R7343	4012558712	MT-GLAZE 22 JA 1/10W	R7505	4012347613	MT-GLAZE 3.9 JA 1W
R7344	4012558712	MT-GLAZE 22 JA 1/10W	R7506	4012347613	MT-GLAZE 3.9 JA 1W
R7345	4012556510	MT-GLAZE 100 JA 1/10W	R7507	4011590614	MT-GLAZE 8.2 JA 1/16W
R7347	4012556510	MT-GLAZE 100 JA 1/10W	R7508	4012560319	MT-GLAZE 820 JA 1/10W
R7349	4012556510	MT-GLAZE 100 JA 1/10W	R7509	4011505915	MT-GLAZE 10K JA 1/10W
R7350	4012556510	MT-GLAZE 100 JA 1/10W	R7510	4011505915	MT-GLAZE 10K JA 1/10W
R7351	4012556510	MT-GLAZE 100 JA 1/10W	R7511	4011505915	MT-GLAZE 10K JA 1/10W
R7352	4011505915	MT-GLAZE 10K JA 1/10W	R7512	4011505915	MT-GLAZE 10K JA 1/10W
R7355	4011505915	MT-GLAZE 10K JA 1/10W	R7513	4012764717	MT-GLAZE 0.000 ZA 1/3W
R7357	4011505915	MT-GLAZE 10K JA 1/10W	R7514	4012764717	MT-GLAZE 0.000 ZA 1/3W
R7358	4011505915	MT-GLAZE 10K JA 1/10W	R752	4012566014	MT-GLAZE 27K JA 1/10W
R736	4011623718	MT-GLAZE 4.7K JA 1/10W	R7800	4011901717	MT-GLAZE 0.000 ZA 1W
R7360	4011505915	MT-GLAZE 10K JA 1/10W	R7802	4011623718	MT-GLAZE 4.7K JA 1/10W
R7361	4012560418	MT-GLAZE 12K JA 1/10W	R7803	4012567318	MT-GLAZE 6.8K JA 1/10W
R7362	4012567318	MT-GLAZE 6.8K JA 1/10W	R7804	4011505915	MT-GLAZE 10K JA 1/10W
R7363	4012566311	MT-GLAZE 47K JA 1/10W	R7808	4011506011	MT-GLAZE 0.000 ZA 1/10W
R7364	4012556510	MT-GLAZE 100 JA 1/10W	R7809	4011506011	MT-GLAZE 0.000 ZA 1/10W
R7365	4012556510	MT-GLAZE 100 JA 1/10W	R8000	4012561712	MT-GLAZE 33K JA 1/10W
R7366	4012556510	MT-GLAZE 100 JA 1/10W	R8002	4012556510	MT-GLAZE 100 JA 1/10W
R7367	4012556015	MT-GLAZE 1M JA 1/10W	R8003	4012556510	MT-GLAZE 100 JA 1/10W
R7368	4011505915	MT-GLAZE 10K JA 1/10W	R8004	4011623718	MT-GLAZE 4.7K JA 1/10W
R7369	4011506219	MT-GLAZE 1K JA 1/10W	R8005	4011623718	MT-GLAZE 4.7K JA 1/10W
R7370	4011505915	MT-GLAZE 10K JA 1/10W	R8006	4011623718	MT-GLAZE 4.7K JA 1/10W
R7371	4011506219	MT-GLAZE 1K JA 1/10W	R8007	4011623718	MT-GLAZE 4.7K JA 1/10W
R7373	4011505915	MT-GLAZE 10K JA 1/10W	R8009	4011623718	MT-GLAZE 4.7K JA 1/10W
R7374	4011506011	MT-GLAZE 0.000 ZA 1/10W	R8010	4011623718	MT-GLAZE 4.7K JA 1/10W
R7375	4011505915	MT-GLAZE 10K JA 1/10W	R8011	4012556510	MT-GLAZE 100 JA 1/10W
R7376	4011506219	MT-GLAZE 1K JA 1/10W	R8012	4012556510	MT-GLAZE 100 JA 1/10W
R7377	4011506219	MT-GLAZE 1K JA 1/10W	R8013	4011506219	MT-GLAZE 1K JA 1/10W
R7378	4012556510	MT-GLAZE 100 JA 1/10W	R8014	4011506219	MT-GLAZE 1K JA 1/10W
R738	4012764717	MT-GLAZE 0.000 ZA 1/3W	R8015	4012556015	MT-GLAZE 1M JA 1/10W
R7380	4012565918	MT-GLAZE 2.7K JA 1/10W	R8016	4012556015	MT-GLAZE 1M JA 1/10W
R7381	4011506110	MT-GLAZE 2.2K JA 1/10W	R8017	4011623718	MT-GLAZE 4.7K JA 1/10W
R7382	4011623718	MT-GLAZE 4.7K JA 1/10W	R8018	4012566311	MT-GLAZE 47K JA 1/10W
R7383	4012566311	MT-GLAZE 47K JA 1/10W	R8019	4012556510	MT-GLAZE 100 JA 1/10W
R7384	4012566311	MT-GLAZE 47K JA 1/10W	R8020	4011506219	MT-GLAZE 1K JA 1/10W
R7385	4011505915	MT-GLAZE 10K JA 1/10W	R8021	4011506219	MT-GLAZE 1K JA 1/10W
R7386	4012764717	MT-GLAZE 0.000 ZA 1/3W	R8022	4011506011	MT-GLAZE 0.000 ZA 1/10W
R7387	4012764717	MT-GLAZE 0.000 ZA 1/3W	R8023	4011623619	MT-GLAZE 470 JA 1/10W
R7388	4012561415	MT-GLAZE 330K JA 1/10W	R8025	4011506011	MT-GLAZE 0.000 ZA 1/10W
R7389	4012764717	MT-GLAZE 0.000 ZA 1/3W	R8026	4011623619	MT-GLAZE 470 JA 1/10W
R739	4011623718	MT-GLAZE 4.7K JA 1/10W			
R7390	4012764717	MT-GLAZE 0.000 ZA 1/3W	<b>COIL</b>		
R7391	4012764717	MT-GLAZE 0.000 ZA 1/3W	L001	6450861680	INDUCTOR, 47U M
R7392	4012764717	MT-GLAZE 0.000 ZA 1/3W	L002	6450861680	INDUCTOR, 47U M

Ref. No.	Part No.	Description	Ref. No.	Part No.	Description
L004	6450806827	INDUCTOR, 3.3U M	D704	4080627201	DIODE 1SS35
L1000	6450363894	INDUCTOR, 220 OHM		4071490817	DIODE 1SS355-TE-17
	6520016989	INDUCTOR, 220 OHM	D7200	4080627201	DIODE 1SS35
L1001	6450363894	INDUCTOR, 220 OHM		4071490817	DIODE 1SS355-TE-17
	6520016989	INDUCTOR, 220 OHM	D7201	4080627201	DIODE 1SS35
L102	6450806827	INDUCTOR, 3.3U M		4071490817	DIODE 1SS355-TE-17
L103	6450806827	INDUCTOR, 3.3U M	<b>MISCELLANEOUS</b>		
L1500	4011506011	MT-GLAZE 0.000 ZA 1/10W	△A102	6520025042	TUNERU/V
L1501	4011506011	MT-GLAZE 0.000 ZA 1/10W	K1000	6520019171	JACK, RCA-6
L3001	6450806827	INDUCTOR, 3.3U M	K1001	6520011960	SOCKET, DIN 4P
L3002	6450806827	INDUCTOR, 3.3U M	K1002	6100098053	JACK, PHONE D3.6
L7500	6450363894	INDUCTOR, 220 OHM		6520015067	JACK, PHONE D3.6
	6520016989	INDUCTOR, 220 OHM		6520015937	JACK, PHONE D3.6
L7501	6450363894	INDUCTOR, 220 OHM	K1003	6520019188	JACK, RCA-5(6-1)
	6520016989	INDUCTOR, 220 OHM	K1006	6450754944	SOCKET, IF (HDMI) 19P
L7502	6450363894	INDUCTOR, 220 OHM		6450857430	SOCKET, IF (HDMI) 19P
	6520016989	INDUCTOR, 220 OHM	K1007	6450754944	SOCKET, IF (HDMI) 19P
L7503	6450363894	INDUCTOR, 220 OHM		6450857430	SOCKET, IF (HDMI) 19P
	6520016989	INDUCTOR, 220 OHM	K1501	6450077456	JACK, PHONE D3.5
L7504	6450363894	INDUCTOR, 220 OHM		6520022003	JACK, PHONE D3.6
	6520016989	INDUCTOR, 220 OHM	K1502	6450508011	SOCKET, D-SUB 15P
L7505	6450363894	INDUCTOR, 220 OHM		6520016873	SOCKET, D-SUB 15P
	6520016989	INDUCTOR, 220 OHM	SC1006	6450763502	SURGE-ABSORBER
L7506	6450363894	INDUCTOR, 220 OHM	SC1007	6450763502	SURGE-ABSORBER
	6520016989	INDUCTOR, 220 OHM	SC1008	6450763502	SURGE-ABSORBER
L7507	6450363894	INDUCTOR, 220 OHM	X7200	6450694134	OSC, CRYSTAL 12.0MHZ
	6520016989	INDUCTOR, 220 OHM		6520025417	OSC, CRYSTAL 12.000MHZ
L7508	6450363894	INDUCTOR, 220 OHM	<b>6103394633 ASSY,PWB, RC+LED, N5YV</b>		
	6520016989	INDUCTOR, 220 OHM	<b>1AA0B10S2640B</b>		
L7509	6450363894	INDUCTOR, 220 OHM	<b>TRANSISTOR</b>		
	6520016989	INDUCTOR, 220 OHM	Q1901	4060214407	TR MMBTSC3928R
L7510	6450363894	INDUCTOR, 220 OHM		4050144519	TR 2SC2412K T146 R
	6520016989	INDUCTOR, 220 OHM		4050144618	TR 2SC2412K T146 S
L7511	6450363894	INDUCTOR, 220 OHM		4050158724	TR 2SC2812-L6-TB
	6520016989	INDUCTOR, 220 OHM		4050158922	TR 2SC2812-L7-TB
L8000	6450363894	INDUCTOR, 220 OHM		4051631612	TR 2SC2812N-L6-TB0
	6520016989	INDUCTOR, 220 OHM		4051739813	TR 2SC3928A1R
<b>DIODE</b>				4051739912	TR 2SC3928A1S
D008	4072187716	ZENER DIODE UDZS20B-TE-17	Q1902	4060214407	TR MMBTSC3928R
	4080641900	ZENER DIODE MM3Z 20B		4050144519	TR 2SC2412K T146 R
D009	4080627201	DIODE 1SS35		4050144618	TR 2SC2412K T146 S
	4071490817	DIODE 1SS355-TE-17		4050158724	TR 2SC2812-L6-TB
D010	4080627201	DIODE 1SS35		4050158922	TR 2SC2812-L7-TB
	4071490817	DIODE 1SS355-TE-17		4051631612	TR 2SC2812N-L6-TB0
D1500	4080627201	DIODE 1SS35		4051739813	TR 2SC3928A1R
	4071490817	DIODE 1SS355-TE-17		4051739912	TR 2SC3928A1S
D1501	4080627201	DIODE 1SS35	Q1903	4060214407	TR MMBTSC3928R
	4071490817	DIODE 1SS355-TE-17		4050144519	TR 2SC2412K T146 R
D1502	4072089713	ZD UDZS-TE-175.6B		4050144618	TR 2SC2412K T146 S
	4080629700	ZENER DIODE MM3Z5V6B		4050158724	TR 2SC2812-L6-TB
D1503	4072089713	ZD UDZS-TE-175.6B		4050158922	TR 2SC2812-L7-TB
	4080629700	ZENER DIODE MM3Z5V6B		4051631612	TR 2SC2812N-L6-TB0
D3000	4080627201	DIODE 1SS35		4051739813	TR 2SC3928A1R
	4071490817	DIODE 1SS355-TE-17		4051739912	TR 2SC3928A1S
D3001	4080627201	DIODE 1SS35	<b>INTEGRATED CIRCUIT</b>		
	4071490817	DIODE 1SS355-TE-17	IC1901	4096866314	IC CM3202A30P
D400	4080627201	DIODE 1SS35	<b>CAPACITOR</b>		
	4071490817	DIODE 1SS355-TE-17	C1920	4033687316	CERAMIC 10U K 6.3V
D700	4080627201	DIODE 1SS35	C1921	4033687316	CERAMIC 10U K 6.3V
	4071490817	DIODE 1SS355-TE-17	C1922	4041032402	CERAMIC 1000P K 50V
D701	4080627201	DIODE 1SS35		4040901105	CERAMIC 1000P K 50V
	4071490817	DIODE 1SS355-TE-17			
D702	4080627201	DIODE 1SS35			
	4071490817	DIODE 1SS355-TE-17			
D703	4080627201	DIODE 1SS35			
	4071490817	DIODE 1SS355-TE-17			

Ref. No.	Part No.	Description	Ref. No.	Part No.	Description
	4031133815	CERAMIC 1000P K 50V			
C1923	4040944003	CERAMIC 0.1U Z 50V			
<b>RESISTOR</b>					
R1920	4011622919MT-GLAZE	220 JA 1/10W			
R1921	4011622919MT-GLAZE	220 JA 1/10W			
R1922	4012556510MT-GLAZE	100 JA 1/10W			
R1923	4011623015MT-GLAZE	22K JA 1/10W			
R1924	4011623619MT-GLAZE	470 JA 1/10W			
R1925	4011623015MT-GLAZE	22K JA 1/10W			
R1926	4012566212MT-GLAZE	270 JA 1/10W			
R1927	4011506011MT-GLAZE	0.000 ZA 1/10W			
R1928	4012566113MT-GLAZE	4.7M JA 1/10W			
R1929	4012556015MT-GLAZE	1M JA 1/10W			
R1930	4011506011MT-GLAZE	0.000 ZA 1/10W			
R1931	4011506011MT-GLAZE	0.000 ZA 1/10W			
R1932	4011506011MT-GLAZE	0.000 ZA 1/10W			
R1933	4011506011MT-GLAZE	0.000 ZA 1/10W			
R1934	4011506011MT-GLAZE	0.000 ZA 1/10W			
R1935	4011506011MT-GLAZE	0.000 ZA 1/10W			
R1940	4011506219MT-GLAZE	1K JA 1/10W			
R1941	4011622919MT-GLAZE	220 JA 1/10W			
R1942	4012556510MT-GLAZE	100 JA 1/10W			
R1943	4011506011MT-GLAZE	0.000 ZA 1/10W			
R1948	4011506011MT-GLAZE	0.000 ZA 1/10W			
<b>DIODE</b>					
D1901	4080528508	LED BT-102YXN-31			
D1901A	6520015586	LED SPACER-N3EA			
D1902	4071589204	LED SPR-39MVWF			
	4080654108	LED BL-BEG2T1Q-AB			
D1902A	6520015586	LED SPACER-N3EA			
D1903	4080654009	LED BL-BB43V1			

# Chassis Electrical Parts List

N5ZV

Product safety should be considered when a component replacement is made in any area of a receiver. Components indicated by a  $\Delta$  mark in this parts list and the circuit diagram show components whose value have special significance to product safety. It is particularly recommended that only parts specified on the following parts list be used for components replacement pointed out by the mark.

Note: Parts order must contain Service Ref. No., Part No., and descriptions. The main PCB unit will be supplied without tuner and flyback transformer. They should be ordered separately.

Ref. No.	Part No.	Description	Ref. No.	Part No.	Description																																																																																																																								
<p><b>NOTES:</b> Read description in the Capacitor and Resistor as follows:</p> <p><b>CAPACITOR</b> CERAMIC 100P K 50V</p> <p style="margin-left: 100px;">└─── Rated Voltage</p> <p style="margin-left: 100px;">└─── Tolerance Symbols: Less than 10pF A : Not specified B : <math>\pm 0.1\text{pF}</math> C : <math>\pm 0.25\text{pF}</math> D : <math>\pm 0.5\text{pF}</math> F : <math>\pm 1\text{pF}</math> G : <math>\pm 2\text{pF}</math> R : <math>\pm 0.25\text{-}0\text{pF}</math> S : <math>\pm 0\text{-}0.25\text{pF}</math> E : <math>\pm 0\text{-}1\text{pF}</math> More than 10pF A : Not specified B : <math>\pm 0.1\%</math> C : <math>\pm 0.25\%</math> D : <math>\pm 0.5\%</math> F : <math>\pm 1\%</math> G : <math>\pm 2\%</math> H : <math>\pm 3\%</math> J : <math>\pm 5\%</math> K : <math>\pm 10\%</math> L : <math>\pm 15\%</math> M : <math>\pm 20\%</math> N : <math>\pm 30\%</math> P : <math>\pm 100\text{-}0\%</math> Q : <math>\pm 30\text{-}10\%</math> T : <math>\pm 50\text{-}10\%</math> U : <math>\pm 75\text{-}10\%</math> V : <math>\pm 20\text{-}10\%</math> W : <math>\pm 100\text{-}10\%</math> X : <math>\pm 40\text{-}20\%</math> Y : <math>\pm 150\text{-}10\%</math> Z : <math>\pm 80\text{-}20\%</math></p> <p style="margin-left: 100px;">└─── Rated value: P=pico farad, U=micro farad</p> <p>Material: CERAMIC..... Ceramic MT-PAPER..... Metallized Paper POLYESTER..... Polyester MT-POLYEST..... Metallized Polyester POLYPRO..... Polypropylene MT-POLYPRO..... Metallized Polypropylene COMPO FILM..... Composite film MT-COMPO..... Metallized Composite STYRENE..... Styrene TA-SOLID..... Tantalum Solid AL-SOLID..... Aluminium Solid ELECT..... Electrolytic NP-ELECT..... Non-polarised Electrolytic OS-SOLID..... Aluminium Solid with Organic Semiconductive Electrolytic DL-ELECT..... Double Layered Electrolytic</p> <p><b>RESISTOR</b> CARBON 4.7K J A 1/4W</p> <p style="margin-left: 100px;">└─── Rated Wattage</p> <p style="margin-left: 100px;">└─── Performance Symbols: A: General B: Non flammable Z: Low noise Other: Temperature coefficient</p> <p style="margin-left: 100px;">└─── Tolerance Symbols: A: <math>\pm 0.05\%</math> B: <math>\pm 0.1\%</math> C: <math>\pm 0.25\%</math> D: <math>\pm 0.5\%</math> F: <math>\pm 1\%</math> G: <math>\pm 2\%</math> J: <math>\pm 5\%</math> K: <math>\pm 10\%</math> M: <math>\pm 20\%</math> P: <math>\pm 5\text{-}15\%</math></p> <p style="margin-left: 100px;">└─── Rated value, ohms: K: 1,000, M: 1,000,000</p> <p>Material: CARBON..... Carbon MT-FILM..... Metal Film OXIDE-MT..... Oxide Metal Film SOLID..... Composition MT-GLAZE..... Metal Glaze WIRE WOUND... Wire Wound CERAMIC RES.. Ceramic FUSIBLE RES.... Fusible</p>			<p><b>OUT OF CIRCUIT BOARD</b></p> <p><b>LCD PANEL</b> <math>\Delta</math> EL901 6450915161 LCD(T420XW01 V5)</p> <p><b>MISCELLANEOUS</b> SP901 6520025844 SPEAKER, 8 SP902 6520025844 SPEAKER, 8 SP903 6520025318 SPEAKER, 8 W7300 6520026094 CORD 50PIN (LVDS) <math>\Delta</math> W901 6450940354 CORD, POWER-2.23MK-VAR-2</p> <p><b>6103394671 ASSY,PWB, MAIN, N5ZV 1AA0B10S264AA</b></p> <p><b>TRANSISTOR</b></p> <table style="width: 100%; border-collapse: collapse;"> <tr> <td style="width: 15%;">Q001</td> <td style="width: 15%;">4060214407</td> <td style="width: 70%;">TR MMBTSC3928R</td> </tr> <tr> <td></td> <td>4050144519</td> <td>TR 2SC2412K T146 R</td> </tr> <tr> <td></td> <td>4050144618</td> <td>TR 2SC2412K T146 S</td> </tr> <tr> <td></td> <td>4050158724</td> <td>TR 2SC2812-L6-TB</td> </tr> <tr> <td></td> <td>4050158922</td> <td>TR 2SC2812-L7-TB</td> </tr> <tr> <td></td> <td>4051631612</td> <td>TR 2SC2812N-L6-TB0</td> </tr> <tr> <td></td> <td>4051739813</td> <td>TR 2SC3928A1R</td> </tr> <tr> <td></td> <td>4051739912</td> <td>TR 2SC3928A1S</td> </tr> <tr> <td>Q002</td> <td>4060214407</td> <td>TR MMBTSC3928R</td> </tr> <tr> <td></td> <td>4050144519</td> <td>TR 2SC2412K T146 R</td> </tr> <tr> <td></td> <td>4050144618</td> <td>TR 2SC2412K T146 S</td> </tr> <tr> <td></td> <td>4050158724</td> <td>TR 2SC2812-L6-TB</td> </tr> <tr> <td></td> <td>4050158922</td> <td>TR 2SC2812-L7-TB</td> </tr> <tr> <td></td> <td>4051631612</td> <td>TR 2SC2812N-L6-TB0</td> </tr> <tr> <td></td> <td>4051739813</td> <td>TR 2SC3928A1R</td> </tr> <tr> <td></td> <td>4051739912</td> <td>TR 2SC3928A1S</td> </tr> <tr> <td>Q003</td> <td>4060214407</td> <td>TR MMBTSC3928R</td> </tr> <tr> <td></td> <td>4050144519</td> <td>TR 2SC2412K T146 R</td> </tr> <tr> <td></td> <td>4050144618</td> <td>TR 2SC2412K T146 S</td> </tr> <tr> <td></td> <td>4050158724</td> <td>TR 2SC2812-L6-TB</td> </tr> <tr> <td></td> <td>4050158922</td> <td>TR 2SC2812-L7-TB</td> </tr> <tr> <td></td> <td>4051631612</td> <td>TR 2SC2812N-L6-TB0</td> </tr> <tr> <td></td> <td>4051739813</td> <td>TR 2SC3928A1R</td> </tr> <tr> <td></td> <td>4051739912</td> <td>TR 2SC3928A1S</td> </tr> <tr> <td>Q013</td> <td>4060214407</td> <td>TR MMBTSC3928R</td> </tr> <tr> <td></td> <td>4050144519</td> <td>TR 2SC2412K T146 R</td> </tr> <tr> <td></td> <td>4050144618</td> <td>TR 2SC2412K T146 S</td> </tr> <tr> <td></td> <td>4050158724</td> <td>TR 2SC2812-L6-TB</td> </tr> <tr> <td></td> <td>4050158922</td> <td>TR 2SC2812-L7-TB</td> </tr> <tr> <td></td> <td>4051631612</td> <td>TR 2SC2812N-L6-TB0</td> </tr> <tr> <td></td> <td>4051739813</td> <td>TR 2SC3928A1R</td> </tr> <tr> <td></td> <td>4051739912</td> <td>TR 2SC3928A1S</td> </tr> <tr> <td>Q014</td> <td>4060214407</td> <td>TR MMBTSC3928R</td> </tr> <tr> <td></td> <td>4050144519</td> <td>TR 2SC2412K T146 R</td> </tr> <tr> <td></td> <td>4050144618</td> <td>TR 2SC2412K T146 S</td> </tr> <tr> <td></td> <td>4050158724</td> <td>TR 2SC2812-L6-TB</td> </tr> <tr> <td></td> <td>4050158922</td> <td>TR 2SC2812-L7-TB</td> </tr> <tr> <td></td> <td>4051631612</td> <td>TR 2SC2812N-L6-TB0</td> </tr> <tr> <td></td> <td>4051739813</td> <td>TR 2SC3928A1R</td> </tr> <tr> <td></td> <td>4051739912</td> <td>TR 2SC3928A1S</td> </tr> </table>			Q001	4060214407	TR MMBTSC3928R		4050144519	TR 2SC2412K T146 R		4050144618	TR 2SC2412K T146 S		4050158724	TR 2SC2812-L6-TB		4050158922	TR 2SC2812-L7-TB		4051631612	TR 2SC2812N-L6-TB0		4051739813	TR 2SC3928A1R		4051739912	TR 2SC3928A1S	Q002	4060214407	TR MMBTSC3928R		4050144519	TR 2SC2412K T146 R		4050144618	TR 2SC2412K T146 S		4050158724	TR 2SC2812-L6-TB		4050158922	TR 2SC2812-L7-TB		4051631612	TR 2SC2812N-L6-TB0		4051739813	TR 2SC3928A1R		4051739912	TR 2SC3928A1S	Q003	4060214407	TR MMBTSC3928R		4050144519	TR 2SC2412K T146 R		4050144618	TR 2SC2412K T146 S		4050158724	TR 2SC2812-L6-TB		4050158922	TR 2SC2812-L7-TB		4051631612	TR 2SC2812N-L6-TB0		4051739813	TR 2SC3928A1R		4051739912	TR 2SC3928A1S	Q013	4060214407	TR MMBTSC3928R		4050144519	TR 2SC2412K T146 R		4050144618	TR 2SC2412K T146 S		4050158724	TR 2SC2812-L6-TB		4050158922	TR 2SC2812-L7-TB		4051631612	TR 2SC2812N-L6-TB0		4051739813	TR 2SC3928A1R		4051739912	TR 2SC3928A1S	Q014	4060214407	TR MMBTSC3928R		4050144519	TR 2SC2412K T146 R		4050144618	TR 2SC2412K T146 S		4050158724	TR 2SC2812-L6-TB		4050158922	TR 2SC2812-L7-TB		4051631612	TR 2SC2812N-L6-TB0		4051739813	TR 2SC3928A1R		4051739912	TR 2SC3928A1S
Q001	4060214407	TR MMBTSC3928R																																																																																																																											
	4050144519	TR 2SC2412K T146 R																																																																																																																											
	4050144618	TR 2SC2412K T146 S																																																																																																																											
	4050158724	TR 2SC2812-L6-TB																																																																																																																											
	4050158922	TR 2SC2812-L7-TB																																																																																																																											
	4051631612	TR 2SC2812N-L6-TB0																																																																																																																											
	4051739813	TR 2SC3928A1R																																																																																																																											
	4051739912	TR 2SC3928A1S																																																																																																																											
Q002	4060214407	TR MMBTSC3928R																																																																																																																											
	4050144519	TR 2SC2412K T146 R																																																																																																																											
	4050144618	TR 2SC2412K T146 S																																																																																																																											
	4050158724	TR 2SC2812-L6-TB																																																																																																																											
	4050158922	TR 2SC2812-L7-TB																																																																																																																											
	4051631612	TR 2SC2812N-L6-TB0																																																																																																																											
	4051739813	TR 2SC3928A1R																																																																																																																											
	4051739912	TR 2SC3928A1S																																																																																																																											
Q003	4060214407	TR MMBTSC3928R																																																																																																																											
	4050144519	TR 2SC2412K T146 R																																																																																																																											
	4050144618	TR 2SC2412K T146 S																																																																																																																											
	4050158724	TR 2SC2812-L6-TB																																																																																																																											
	4050158922	TR 2SC2812-L7-TB																																																																																																																											
	4051631612	TR 2SC2812N-L6-TB0																																																																																																																											
	4051739813	TR 2SC3928A1R																																																																																																																											
	4051739912	TR 2SC3928A1S																																																																																																																											
Q013	4060214407	TR MMBTSC3928R																																																																																																																											
	4050144519	TR 2SC2412K T146 R																																																																																																																											
	4050144618	TR 2SC2412K T146 S																																																																																																																											
	4050158724	TR 2SC2812-L6-TB																																																																																																																											
	4050158922	TR 2SC2812-L7-TB																																																																																																																											
	4051631612	TR 2SC2812N-L6-TB0																																																																																																																											
	4051739813	TR 2SC3928A1R																																																																																																																											
	4051739912	TR 2SC3928A1S																																																																																																																											
Q014	4060214407	TR MMBTSC3928R																																																																																																																											
	4050144519	TR 2SC2412K T146 R																																																																																																																											
	4050144618	TR 2SC2412K T146 S																																																																																																																											
	4050158724	TR 2SC2812-L6-TB																																																																																																																											
	4050158922	TR 2SC2812-L7-TB																																																																																																																											
	4051631612	TR 2SC2812N-L6-TB0																																																																																																																											
	4051739813	TR 2SC3928A1R																																																																																																																											
	4051739912	TR 2SC3928A1S																																																																																																																											

Ref. No.	Part No.	Description	Ref. No.	Part No.	Description
Q1000	4060214407	TR MMBTSC3928R		4050158724	TR 2SC2812-L6-TB
	4050144519	TR 2SC2412K T146 R		4050158922	TR 2SC2812-L7-TB
	4050144618	TR 2SC2412K T146 S		4051631612	TR 2SC2812N-L6-TB0
	4050158724	TR 2SC2812-L6-TB		4051739813	TR 2SC3928A1R
	4050158922	TR 2SC2812-L7-TB		4051739912	TR 2SC3928A1S
	4051631612	TR 2SC2812N-L6-TB0	Q7204	4052203115	TR ISA1235AC1E
	4051739813	TR 2SC3928A1R		4052203016	TR ISA1235AC1F
	4051739912	TR 2SC3928A1S		4060214308	TR MMBTSA1235F
Q1001	4060214407	TR MMBTSC3928R		4051345925	TR 2SA1037AK-T146-R
	4050144519	TR 2SC2412K T146 R		4051472215	TR 2SA1037AK-S-T146
	4050144618	TR 2SC2412K T146 S		4051739615	TR 2SA1235A1E
	4050158724	TR 2SC2812-L6-TB		4051739714	TR 2SA1235A1F
	4050158922	TR 2SC2812-L7-TB	Q7206	4060214407	TR MMBTSC3928R
	4051631612	TR 2SC2812N-L6-TB0		4050144519	TR 2SC2412K T146 R
	4051739813	TR 2SC3928A1R		4050144618	TR 2SC2412K T146 S
	4051739912	TR 2SC3928A1S		4050158724	TR 2SC2812-L6-TB
Q101	4052203115	TR ISA1235AC1E		4050158922	TR 2SC2812-L7-TB
	4052203016	TR ISA1235AC1F		4051631612	TR 2SC2812N-L6-TB0
	4060214308	TR MMBTSA1235F		4051739813	TR 2SC3928A1R
	4051345925	TR 2SA1037AK-T146-R		4051739912	TR 2SC3928A1S
	4051472215	TR 2SA1037AK-S-T146	Q7207	4052203115	TR ISA1235AC1E
	4051739615	TR 2SA1235A1E		4052203016	TR ISA1235AC1F
	4051739714	TR 2SA1235A1F		4060214308	TR MMBTSA1235F
Q3000	4050458725	TR 2SK536		4051345925	TR 2SA1037AK-T146-R
Q3001	4050458725	TR 2SK536		4051472215	TR 2SA1037AK-S-T146
Q3014	4060214407	TR MMBTSC3928R		4051739615	TR 2SA1235A1E
	4050144519	TR 2SC2412K T146 R		4051739714	TR 2SA1235A1F
	4050144618	TR 2SC2412K T146 S		4060214407	TR MMBTSC3928R
	4050158724	TR 2SC2812-L6-TB	Q7208	4050144519	TR 2SC2412K T146 R
	4050158922	TR 2SC2812-L7-TB		4050144618	TR 2SC2412K T146 S
	4051631612	TR 2SC2812N-L6-TB0		4050158724	TR 2SC2812-L6-TB
	4051739813	TR 2SC3928A1R		4050158922	TR 2SC2812-L7-TB
	4051739912	TR 2SC3928A1S		4051631612	TR 2SC2812N-L6-TB0
Q700	4060214407	TR MMBTSC3928R		4051739813	TR 2SC3928A1R
	4050144519	TR 2SC2412K T146 R		4051739912	TR 2SC3928A1S
	4050144618	TR 2SC2412K T146 S	Q7500	4060214407	TR MMBTSC3928R
	4050158724	TR 2SC2812-L6-TB		4050144519	TR 2SC2412K T146 R
	4050158922	TR 2SC2812-L7-TB		4050144618	TR 2SC2412K T146 S
	4051631612	TR 2SC2812N-L6-TB0		4050158724	TR 2SC2812-L6-TB
	4051739813	TR 2SC3928A1R		4050158922	TR 2SC2812-L7-TB
	4051739912	TR 2SC3928A1S		4051631612	TR 2SC2812N-L6-TB0
Q701	4060214407	TR MMBTSC3928R		4051739813	TR 2SC3928A1R
	4050144519	TR 2SC2412K T146 R		4051739912	TR 2SC3928A1S
	4050144618	TR 2SC2412K T146 S	Q7501	4060214407	TR MMBTSC3928R
	4050158724	TR 2SC2812-L6-TB		4050144519	TR 2SC2412K T146 R
	4050158922	TR 2SC2812-L7-TB		4050144618	TR 2SC2412K T146 S
	4051631612	TR 2SC2812N-L6-TB0		4050158724	TR 2SC2812-L6-TB
	4051739813	TR 2SC3928A1R		4050158922	TR 2SC2812-L7-TB
	4051739912	TR 2SC3928A1S		4051631612	TR 2SC2812N-L6-TB0
Q7200	4060214407	TR MMBTSC3928R		4051739813	TR 2SC3928A1R
	4050144519	TR 2SC2412K T146 R		4051739912	TR 2SC3928A1S
	4050144618	TR 2SC2412K T146 S	Q7502	4052027711	TR TPC8109
	4050158724	TR 2SC2812-L6-TB	Q8000	4060214407	TR MMBTSC3928R
	4050158922	TR 2SC2812-L7-TB		4050144519	TR 2SC2412K T146 R
	4051631612	TR 2SC2812N-L6-TB0		4050144618	TR 2SC2412K T146 S
	4051739813	TR 2SC3928A1R		4050158724	TR 2SC2812-L6-TB
	4051739912	TR 2SC3928A1S		4050158922	TR 2SC2812-L7-TB
Q7201	4052203115	TR ISA1235AC1E		4051631612	TR 2SC2812N-L6-TB0
	4052203016	TR ISA1235AC1F		4051739813	TR 2SC3928A1R
	4060214308	TR MMBTSA1235F		4051739912	TR 2SC3928A1S
	4051345925	TR 2SA1037AK-T146-R	Q8001	4060214407	TR MMBTSC3928R
	4051472215	TR 2SA1037AK-S-T146		4050144519	TR 2SC2412K T146 R
	4051739615	TR 2SA1235A1E		4050144618	TR 2SC2412K T146 S
	4051739714	TR 2SA1235A1F		4050158724	TR 2SC2812-L6-TB
Q7202	4060214407	TR MMBTSC3928R		4050158922	TR 2SC2812-L7-TB
	4050144519	TR 2SC2412K T146 R		4051631612	TR 2SC2812N-L6-TB0
	4050144618	TR 2SC2412K T146 S		4051739813	TR 2SC3928A1R

Ref. No.	Part No.	Description	Ref. No.	Part No.	Description
Q8002	4051739912	TR 2SC3928A1S	C022	4032569316	CERAMIC 0.47U Z 50V
	4060214407	TR MMBTSC3928R	C024	4041044900	CERAMIC 0.1U K 50V
	4050144519	TR 2SC2412K T146 R		4040912606	CERAMIC 0.1U K 50V
	4050144618	TR 2SC2412K T146 S		4033670417	CERAMIC 0.1U K 50V
	4050158724	TR 2SC2812-L6-TB	C025	4040985907	ELECT 10U M 50V
	4050158922	TR 2SC2812-L7-TB		4034028316	ELECT 10U M 50V
	4051631612	TR 2SC2812N-L6-TB0	C026	4034502212	CERAMIC 0.22U K 25V
	4051739813	TR 2SC3928A1R	C027	4032569316	CERAMIC 0.47U Z 50V
	4051739912	TR 2SC3928A1S	C028	4041095506	ELECT 1000U M 35V
				4040980506	ELECT 1000U M 35V
<b>INTEGRATED CIRCUIT</b>			C029	4040954200	CERAMIC 0.01U Z 50V
IC001	4096910413	IC TPA3123D2PWPR	C030	4041036608	CERAMIC 0.22U K 16V
IC002	4096910413	IC TPA3123D2PWPR		4032812412	CERAMIC 0.22U K 16V
IC003	4096910314	IC TPA6110A2DGNR	C031	4032070317	CERAMIC 1U Z 16V
IC1501	4094620324	IC 24LC21AT/SN		4032789615	CERAMIC 1U Z 16V
IC3000	4096907710	IC AP8302-LQ-L	C032	4033841411	ELECT 47U M 16V
IC3100	4090397814	IC NJM4558M-TE2	C033	4034031019	ELECT 100U M 25V
IC3101	4090397814	IC NJM4558M-TE2	C034	4034031019	ELECT 100U M 25V
IC700	4096907819	IC CM2021-02TR	C035	4032070317	CERAMIC 1U Z 16V
IC701	4095587210	IC 24C02CT-I/SNG		4032789615	CERAMIC 1U Z 16V
IC702	4096907819	IC CM2021-02TR	C037	4041044900	CERAMIC 0.1U K 50V
IC703	4095587210	IC 24C02CT-I/SNG		4040912606	CERAMIC 0.1U K 50V
IC7200	4106620209	IC MST6E89DL-LF		4033670417	CERAMIC 0.1U K 50V
IC7400	4106506909	IC HY5DU281622FTP-4-C	C038	4032569316	CERAMIC 0.47U Z 50V
IC7501	4095599015	IC AMS1117-3.3	C055	4033987515	ELECT 100U M 35V
	4096836515	IC LM1117S-3.3	C056	4041034505	CERAMIC 0.1U K 16V
IC7503	4095599015	IC AMS1117-3.3		4040950509	CERAMIC 0.1U K 16V
	4096836515	IC LM1117S-3.3		4032989619	CERAMIC 0.1U K 16V
IC7504	4096552415	IC AMS1085CM	C057	4033987515	ELECT 100U M 35V
	4096894416	IC LM1085R-ADJ	C058	4041034505	CERAMIC 0.1U K 16V
IC7505	4095598919	IC AMS1117-2.5		4040950509	CERAMIC 0.1U K 16V
IC8000	4106620506	IC W25X80VSSIG-N5ZV		4032989619	CERAMIC 0.1U K 16V
IC8000A	4106385603	IC W25X80VSSIG	C1002	4034030715	ELECT 220U M 16V
IC8001	4106489905	IC 24LC64T-I/SNG-N5CV	C1005	4040940104	ELECT 10U M 16V
				4033831313	ELECT 10U M 16V
<b>CAPACITOR</b>			C1008	4040940104	ELECT 10U M 16V
C001	4041084203	ELECT 470U M 35V		4033831313	ELECT 10U M 16V
C002	4041084203	ELECT 470U M 35V	C1009	4033238815	CERAMIC 2.2U Z 16V
C003	4032569316	CERAMIC 0.47U Z 50V	C101	4041034505	CERAMIC 0.1U K 16V
C004	4032070317	CERAMIC 1U Z 16V		4040950509	CERAMIC 0.1U K 16V
	4032789615	CERAMIC 1U Z 16V		4032989619	CERAMIC 0.1U K 16V
C005	4032070317	CERAMIC 1U Z 16V	C1010	4040940104	ELECT 10U M 16V
	4032789615	CERAMIC 1U Z 16V		4033831313	ELECT 10U M 16V
C006	4032070317	CERAMIC 1U Z 16V	C1011	4041034505	CERAMIC 0.1U K 16V
	4032789615	CERAMIC 1U Z 16V		4040950509	CERAMIC 0.1U K 16V
C007	4032569316	CERAMIC 0.47U Z 50V		4032989619	CERAMIC 0.1U K 16V
C008	4032070317	CERAMIC 1U Z 16V	C1012	4033238815	CERAMIC 2.2U Z 16V
	4032789615	CERAMIC 1U Z 16V	C1013	4040940104	ELECT 10U M 16V
C009	4041097302	ELECT 470U M 50V		4033831313	ELECT 10U M 16V
C010	4034502212	CERAMIC 0.22U K 25V	C1014	4041034505	CERAMIC 0.1U K 16V
C011	4040985907	ELECT 10U M 50V		4040950509	CERAMIC 0.1U K 16V
	4034028316	ELECT 10U M 50V		4032989619	CERAMIC 0.1U K 16V
C012	4041044900	CERAMIC 0.1U K 50V	C102	4033860917	ELECT 100U M 16V
	4040912606	CERAMIC 0.1U K 50V	C1021	4041038206	CERAMIC 10P J 50V
	4033670417	CERAMIC 0.1U K 50V	C1021	4040946304	CERAMIC 10P J 50V
C013	4032569316	CERAMIC 0.47U Z 50V	C1024	4041038206	CERAMIC 10P J 50V
C014	4032569316	CERAMIC 0.47U Z 50V		4040946304	CERAMIC 10P J 50V
C015	4034502212	CERAMIC 0.22U K 25V	C1027	4011506011	MT-GLAZE 0.000 ZA 1/10W
C016	4041097302	ELECT 470U M 50V	C103	4041044603	CERAMIC 68P J 50V
C017	4041084203	ELECT 470U M 35V		4040949008	CERAMIC 68P J 50V
C018	4041084203	ELECT 470U M 35V		4031573314	CERAMIC 68P J 50V
C019	4032070317	CERAMIC 1U Z 16V	C1033	4011506011	MT-GLAZE 0.000 ZA 1/10W
	4032789615	CERAMIC 1U Z 16V	C104	4041044603	CERAMIC 68P J 50V
C020	4032070317	CERAMIC 1U Z 16V		4040949008	CERAMIC 68P J 50V
	4032789615	CERAMIC 1U Z 16V		4031573314	CERAMIC 68P J 50V
C021	4032070317	CERAMIC 1U Z 16V	C105	4034033617	NP-ELECT 22U M 16V
	4032789615	CERAMIC 1U Z 16V		4033978711	NP-ELECT 22U M 16V

Ref. No.	Part No.	Description	Ref. No.	Part No.	Description
C111	4040940104	ELECT 10U M 16V		4032152211	CERAMIC 0.01U K 50V
	4033831313	ELECT 10U M 16V	C3015	4040940104	ELECT 10U M 16V
C112	4041034505	CERAMIC 0.1U K 16V		4033831313	ELECT 10U M 16V
	4040950509	CERAMIC 0.1U K 16V	C3016	4040940104	ELECT 10U M 16V
	4032989619	CERAMIC 0.1U K 16V		4033831313	ELECT 10U M 16V
C120	4033860917	ELECT 100U M 16V	C3017	4041045303	CERAMIC 0.015U K 50V
C121	4041034505	CERAMIC 0.1U K 16V		4040912903	CERAMIC 0.015U K 50V
	4040950509	CERAMIC 0.1U K 16V		4032152419	CERAMIC 0.015U K 50V
	4032989619	CERAMIC 0.1U K 16V	C3018	4041045501	CERAMIC 0.018U K 50V
C122	4033860917	ELECT 100U M 16V		4040913108	CERAMIC 0.018U K 50V
C123	4041034505	CERAMIC 0.1U K 16V		4032725811	CERAMIC 0.018U K 50V
	4040950509	CERAMIC 0.1U K 16V	C3019	4041032907	CERAMIC 0.01U K 50V
	4032989619	CERAMIC 0.1U K 16V		4040901204	CERAMIC 0.01U K 50V
C124	4041034505	CERAMIC 0.1U K 16V		4032152211	CERAMIC 0.01U K 50V
	4040950509	CERAMIC 0.1U K 16V	C3020	4041045501	CERAMIC 0.018U K 50V
	4032989619	CERAMIC 0.1U K 16V		4040913108	CERAMIC 0.018U K 50V
C1500	4041034505	CERAMIC 0.1U K 16V		4032725811	CERAMIC 0.018U K 50V
	4040950509	CERAMIC 0.1U K 16V	C3021	4041032907	CERAMIC 0.01U K 50V
	4032989619	CERAMIC 0.1U K 16V		4040901204	CERAMIC 0.01U K 50V
C1501	4041040209	CERAMIC 100P J 50V		4032152211	CERAMIC 0.01U K 50V
	4040946403	CERAMIC 100P J 50V	C3022	4041045303	CERAMIC 0.015U K 50V
C1502	4041040209	CERAMIC 100P J 50V		4040912903	CERAMIC 0.015U K 50V
	4040946403	CERAMIC 100P J 50V		4032152419	CERAMIC 0.015U K 50V
C1520TM	4041084104	ELECT 100U M 16V	C3023	4040940104	ELECT 10U M 16V
C3000	4041036707	CERAMIC 0.47U K 16V		4033831313	ELECT 10U M 16V
	4041109807	CERAMIC 0.47U K 16V	C3024	4041036707	CERAMIC 0.47U K 16V
	4033363517	CERAMIC 0.47U K 16V		4041109807	CERAMIC 0.47U K 16V
C3001	4041036707	CERAMIC 0.47U K 16V		4033363517	CERAMIC 0.47U K 16V
	4041109807	CERAMIC 0.47U K 16V	C3025	4041036707	CERAMIC 0.47U K 16V
	4033363517	CERAMIC 0.47U K 16V		4041109807	CERAMIC 0.47U K 16V
C3002	4041044900	CERAMIC 0.1U K 50V		4033363517	CERAMIC 0.47U K 16V
	4040912606	CERAMIC 0.1U K 50V	C3026	4040940104	ELECT 10U M 16V
	4033670417	CERAMIC 0.1U K 50V		4033831313	ELECT 10U M 16V
C3003	4041032907	CERAMIC 0.01U K 50V	C3027	4041044900	CERAMIC 0.1U K 50V
	4040901204	CERAMIC 0.01U K 50V		4040912606	CERAMIC 0.1U K 50V
	4032152211	CERAMIC 0.01U K 50V		4033670417	CERAMIC 0.1U K 50V
C3004	4041044900	CERAMIC 0.1U K 50V	C3028	4040940104	ELECT 10U M 16V
	4040912606	CERAMIC 0.1U K 50V		4033831313	ELECT 10U M 16V
	4033670417	CERAMIC 0.1U K 50V	C3029	4040940104	ELECT 10U M 16V
C3005	4041032907	CERAMIC 0.01U K 50V		4033831313	ELECT 10U M 16V
	4040901204	CERAMIC 0.01U K 50V	C3030	4040940104	ELECT 10U M 16V
	4032152211	CERAMIC 0.01U K 50V		4033831313	ELECT 10U M 16V
C3006	4041044900	CERAMIC 0.1U K 50V	C3031	4041045709	CERAMIC 2200U K 50V
	4040912606	CERAMIC 0.1U K 50V		4040913306	CERAMIC 2200P K 50V
	4033670417	CERAMIC 0.1U K 50V		4031134119	CERAMIC 2200P K 50V
C3007	4041032907	CERAMIC 0.01U K 50V	C3032	4041032907	CERAMIC 0.01U K 50V
	4040901204	CERAMIC 0.01U K 50V		4040901204	CERAMIC 0.01U K 50V
	4032152211	CERAMIC 0.01U K 50V		4032152211	CERAMIC 0.01U K 50V
C3008	4041044900	CERAMIC 0.1U K 50V	C3033	4040940104	ELECT 10U M 16V
	4040912606	CERAMIC 0.1U K 50V		4033831313	ELECT 10U M 16V
	4033670417	CERAMIC 0.1U K 50V	C3034	4040940104	ELECT 10U M 16V
C3009	4041032907	CERAMIC 0.01U K 50V		4033831313	ELECT 10U M 16V
	4040901204	CERAMIC 0.01U K 50V	C3035	4041036707	CERAMIC 0.47U K 16V
	4032152211	CERAMIC 0.01U K 50V		4033363517	CERAMIC 0.47U K 16V
C3010	4040940104	ELECT 10U M 16V	C3036	4041046102	CERAMIC 3300P K 50V
	4033831313	ELECT 10U M 16V		4040913900	CERAMIC 3300P K 50V
C3011	4041044900	CERAMIC 0.1U K 50V		4031552210	CERAMIC 3300P K 50V
	4040912606	CERAMIC 0.1U K 50V	C3037	4041045709	CERAMIC 2200U K 50V
	4033670417	CERAMIC 0.1U K 50V		4040913306	CERAMIC 2200P K 50V
C3012	4041032907	CERAMIC 0.01U K 50V		4031134119	CERAMIC 2200P K 50V
	4040901204	CERAMIC 0.01U K 50V	C3038	4041036608	CERAMIC 0.22U K 16V
	4032152211	CERAMIC 0.01U K 50V		4032812412	CERAMIC 0.22U K 16V
C3013	4041044900	CERAMIC 0.1U K 50V	C3039	4041036301	CERAMIC 0.33U K 16V
	4040912606	CERAMIC 0.1U K 50V		4034015712	CERAMIC 0.33U K 16V
	4033670417	CERAMIC 0.1U K 50V	C3041	4040940104	ELECT 10U M 16V
C3014	4041032907	CERAMIC 0.01U K 50V		4033831313	ELECT 10U M 16V
	4040901204	CERAMIC 0.01U K 50V	C3042	4040940104	ELECT 10U M 16V



Ref. No.	Part No.	Description	Ref. No.	Part No.	Description
	4033831313	ELECT 10U M 16V	C7207	4041046706	CERAMIC 0.047U K 50V
C3100	4041040209	CERAMIC 100P J 50V		4040914501	CERAMIC 0.047U K 50V
	4040946403	CERAMIC 100P J 50V	C7208	4041034505	CERAMIC 0.1U K 16V
C3101	4041032402	CERAMIC 1000P K 50V		4040950509	CERAMIC 0.1U K 16V
	4040901105	CERAMIC 1000P K 50V		4032989619	CERAMIC 0.1U K 16V
C3102	4033238815	CERAMIC 2.2U Z 16V	C7209	4041034505	CERAMIC 0.1U K 16V
C3103	4041032402	CERAMIC 1000P K 50V		4040950509	CERAMIC 0.1U K 16V
	4040901105	CERAMIC 1000P K 50V		4032989619	CERAMIC 0.1U K 16V
C3104	4041040209	CERAMIC 100P J 50V	C7211	4041034505	CERAMIC 0.1U K 16V
	4040946403	CERAMIC 100P J 50V		4040950509	CERAMIC 0.1U K 16V
C3105	4033238815	CERAMIC 2.2U Z 16V		4032989619	CERAMIC 0.1U K 16V
C3106	4033860917	ELECT 100U M 16V	C7212	4041040308	CERAMIC 1000P J 50V
C3107	4041034505	CERAMIC 0.1U K 16V		4040946502	CERAMIC 1000P J 50V
	4040950509	CERAMIC 0.1U K 16V		4032653213	CERAMIC 1000P J 50V
	4032989619	CERAMIC 0.1U K 16V	C7213	4041034505	CERAMIC 0.1U K 16V
C3108	4033860917	ELECT 100U M 16V		4040950509	CERAMIC 0.1U K 16V
C3109	4041040209	CERAMIC 100P J 50V		4032989619	CERAMIC 0.1U K 16V
	4040946403	CERAMIC 100P J 50V	C7214	4041034505	CERAMIC 0.1U K 16V
C3110	4033238815	CERAMIC 2.2U Z 16V		4040950509	CERAMIC 0.1U K 16V
C3111	4041032402	CERAMIC 1000P K 50V		4032989619	CERAMIC 0.1U K 16V
	4040901105	CERAMIC 1000P K 50V	C7215	4041046706	CERAMIC 0.047U K 50V
C3112	4041045709	CERAMIC 2200U K 50V		4040914501	CERAMIC 0.047U K 50V
	4040913306	CERAMIC 2200P K 50V	C7216	4041046706	CERAMIC 0.047U K 50V
C3112	4031134119	CERAMIC 2200P K 50V		4040914501	CERAMIC 0.047U K 50V
C3113	4041045709	CERAMIC 2200U K 50V	C7217	4041046706	CERAMIC 0.047U K 50V
	4040913306	CERAMIC 2200P K 50V		4040914501	CERAMIC 0.047U K 50V
	4031134119	CERAMIC 2200P K 50V	C7218	4041046706	CERAMIC 0.047U K 50V
C3114	4041045709	CERAMIC 2200U K 50V		4040914501	CERAMIC 0.047U K 50V
	4040913306	CERAMIC 2200P K 50V	C7219	4041046706	CERAMIC 0.047U K 50V
	4031134119	CERAMIC 2200P K 50V		4040914501	CERAMIC 0.047U K 50V
C3115	4032070317	CERAMIC 1U Z 16V	C7220	4041046706	CERAMIC 0.047U K 50V
	4032789615	CERAMIC 1U Z 16V		4040914501	CERAMIC 0.047U K 50V
C3116	4041045709	CERAMIC 2200U K 50V	C7221	4041046706	CERAMIC 0.047U K 50V
	4040913306	CERAMIC 2200P K 50V		4040914501	CERAMIC 0.047U K 50V
	4031134119	CERAMIC 2200P K 50V	C7223	4040940104	ELECT 10U M 16V
C400	4033860917	ELECT 100U M 16V		4033831313	ELECT 10U M 16V
C402	4041034505	CERAMIC 0.1U K 16V	C7224	4041034505	CERAMIC 0.1U K 16V
	4040950509	CERAMIC 0.1U K 16V		4040950509	CERAMIC 0.1U K 16V
	4032989619	CERAMIC 0.1U K 16V		4032989619	CERAMIC 0.1U K 16V
C403	4033860917	ELECT 100U M 16V	C7225	4041034505	CERAMIC 0.1U K 16V
C405	4041034505	CERAMIC 0.1U K 16V		4040950509	CERAMIC 0.1U K 16V
	4040950509	CERAMIC 0.1U K 16V		4032989619	CERAMIC 0.1U K 16V
	4032989619	CERAMIC 0.1U K 16V	C7226	4040940104	ELECT 10U M 16V
C700	4040940104	ELECT 10U M 16V		4033915518	ELECT 10U M 16V
	4033831313	ELECT 10U M 16V	C7227	4041034505	CERAMIC 0.1U K 16V
C701	4041034505	CERAMIC 0.1U K 16V		4040950509	CERAMIC 0.1U K 16V
	4040950509	CERAMIC 0.1U K 16V		4032989619	CERAMIC 0.1U K 16V
	4032989619	CERAMIC 0.1U K 16V	C7228	4034032719	ELECT 4.7U M 35V
C705	4041034505	CERAMIC 0.1U K 16V	C7229	4040949701	CERAMIC 1U Z 10V
	4040950509	CERAMIC 0.1U K 16V	C725	4041034505	CERAMIC 0.1U K 16V
	4032989619	CERAMIC 0.1U K 16V		4040950509	CERAMIC 0.1U K 16V
C7200	4041034505	CERAMIC 0.1U K 16V		4032989619	CERAMIC 0.1U K 16V
	4040950509	CERAMIC 0.1U K 16V	C7255	4041044900	CERAMIC 0.1U K 50V
	4032989619	CERAMIC 0.1U K 16V		4040912606	CERAMIC 0.1U K 50V
C7201	4041034505	CERAMIC 0.1U K 16V		4033670417	CERAMIC 0.1U K 50V
	4040950509	CERAMIC 0.1U K 16V	C7330	4033238815	CERAMIC 2.2U Z 16V
	4032989619	CERAMIC 0.1U K 16V	C7331	4033238815	CERAMIC 2.2U Z 16V
C7202	4041034505	CERAMIC 0.1U K 16V	C7332	4033238815	CERAMIC 2.2U Z 16V
	4040950509	CERAMIC 0.1U K 16V	C7333	4033238815	CERAMIC 2.2U Z 16V
	4032989619	CERAMIC 0.1U K 16V	C7334	4041034505	CERAMIC 0.1U K 16V
C7204	4041040308	CERAMIC 1000P J 50V		4040950509	CERAMIC 0.1U K 16V
	4040946502	CERAMIC 1000P J 50V		4032989619	CERAMIC 0.1U K 16V
	4032653213	CERAMIC 1000P J 50V	C7335	4033238815	CERAMIC 2.2U Z 16V
C7205	4041046706	CERAMIC 0.047U K 50V	C7336	4033238815	CERAMIC 2.2U Z 16V
	4040914501	CERAMIC 0.047U K 50V	C7337	4040944300	CERAMIC 2200P Z 50V
C7206	4041046706	CERAMIC 0.047U K 50V	C7338	4040944300	CERAMIC 2200P Z 50V
	4040914501	CERAMIC 0.047U K 50V	C7339	4040944300	CERAMIC 2200P Z 50V

Ref. No.	Part No.	Description	Ref. No.	Part No.	Description
C7340	4040944300	CERAMIC 2200P Z 50V	C7520	4040940104	ELECT 10U M 16V
C7341	4041040209	CERAMIC 100P J 50V		4033831313	ELECT 10U M 16V
	4040946403	CERAMIC 100P J 50V	C7521	4041034505	CERAMIC 0.1U K 16V
C7342	4041040209	CERAMIC 100P J 50V		4040950509	CERAMIC 0.1U K 16V
	4040946403	CERAMIC 100P J 50V		4032989619	CERAMIC 0.1U K 16V
C7343	4041040209	CERAMIC 100P J 50V	C7522	4041034505	CERAMIC 0.1U K 16V
	4040946403	CERAMIC 100P J 50V		4040950509	CERAMIC 0.1U K 16V
C7344	4041036707	CERAMIC 0.47U K 16V		4032989619	CERAMIC 0.1U K 16V
	4041109807	CERAMIC 0.47U K 16V	C7524	4041034505	CERAMIC 0.1U K 16V
	4033363517	CERAMIC 0.47U K 16V		4040950509	CERAMIC 0.1U K 16V
C7345	4041038206	CERAMIC 10P J 50V		4032989619	CERAMIC 0.1U K 16V
	4040946304	CERAMIC 10P J 50V	C753	4041034505	CERAMIC 0.1U K 16V
C7346	4041038206	CERAMIC 10P J 50V		4040950509	CERAMIC 0.1U K 16V
	4040946304	CERAMIC 10P J 50V		4032989619	CERAMIC 0.1U K 16V
C7347	4041040308	CERAMIC 1000P J 50V	C7533	4041034505	CERAMIC 0.1U K 16V
	4040946502	CERAMIC 1000P J 50V		4040950509	CERAMIC 0.1U K 16V
	4032653213	CERAMIC 1000P J 50V		4032989619	CERAMIC 0.1U K 16V
C7348	4033841411	ELECT 47U M 16V	C7534	4041034505	CERAMIC 0.1U K 16V
C7349	4040940104	ELECT 10U M 16V		4040950509	CERAMIC 0.1U K 16V
	4033831313	ELECT 10U M 16V		4032989619	CERAMIC 0.1U K 16V
C7351	4041045709	CERAMIC 2200U K 50V	C7535	4041034505	CERAMIC 0.1U K 16V
	4040913306	CERAMIC 2200P K 50V		4040950509	CERAMIC 0.1U K 16V
C7352	4033238815	CERAMIC 2.2U Z 16V		4032989619	CERAMIC 0.1U K 16V
C7353	4033238815	CERAMIC 2.2U Z 16V	C7536	4041034505	CERAMIC 0.1U K 16V
C741	4041034505	CERAMIC 0.1U K 16V		4040950509	CERAMIC 0.1U K 16V
	4040950509	CERAMIC 0.1U K 16V		4032989619	CERAMIC 0.1U K 16V
	4032989619	CERAMIC 0.1U K 16V	C7537	4041032907	CERAMIC 0.01U K 50V
C742	4041034505	CERAMIC 0.1U K 16V		4040901204	CERAMIC 0.01U K 50V
	4040950509	CERAMIC 0.1U K 16V		4032152211	CERAMIC 0.01U K 50V
	4032989619	CERAMIC 0.1U K 16V	C7538	4041032907	CERAMIC 0.01U K 50V
C7500	4033860917	ELECT 100U M 16V		4040901204	CERAMIC 0.01U K 50V
C7501	4041034505	CERAMIC 0.1U K 16V		4032152211	CERAMIC 0.01U K 50V
	4040950509	CERAMIC 0.1U K 16V	C7539	4041032907	CERAMIC 0.01U K 50V
	4032989619	CERAMIC 0.1U K 16V		4040901204	CERAMIC 0.01U K 50V
C7502	4041034505	CERAMIC 0.1U K 16V		4032152211	CERAMIC 0.01U K 50V
	4040950509	CERAMIC 0.1U K 16V	C7540	4041034505	CERAMIC 0.1U K 16V
	4032989619	CERAMIC 0.1U K 16V		4040950509	CERAMIC 0.1U K 16V
C7503	4033860917	ELECT 100U M 16V		4032989619	CERAMIC 0.1U K 16V
C7504	4033712315	ELECT 470U M 16V	C7541	4041040308	CERAMIC 1000P J 50V
	4033781618	ELECT 470U M 16V		4040946502	CERAMIC 1000P J 50V
C7505	4041034505	CERAMIC 0.1U K 16V		4032653213	CERAMIC 1000P J 50V
	4040950509	CERAMIC 0.1U K 16V	C7542	4041040308	CERAMIC 1000P J 50V
	4032989619	CERAMIC 0.1U K 16V		4040946502	CERAMIC 1000P J 50V
C7506	4033860917	ELECT 100U M 16V		4032653213	CERAMIC 1000P J 50V
C7507	4041034505	CERAMIC 0.1U K 16V	C7543	4041034505	CERAMIC 0.1U K 16V
	4040950509	CERAMIC 0.1U K 16V		4040950509	CERAMIC 0.1U K 16V
	4032989619	CERAMIC 0.1U K 16V		4032989619	CERAMIC 0.1U K 16V
C7508	4041034505	CERAMIC 0.1U K 16V	C7544	4040940104	ELECT 10U M 16V
	4040950509	CERAMIC 0.1U K 16V		4033831313	ELECT 10U M 16V
	4032989619	CERAMIC 0.1U K 16V	C7545	4041034505	CERAMIC 0.1U K 16V
C7509	4033841411	ELECT 47U M 16V		4040950509	CERAMIC 0.1U K 16V
C7510	4033860917	ELECT 100U M 16V		4032989619	CERAMIC 0.1U K 16V
C7511	4041034505	CERAMIC 0.1U K 16V	C7546	4041034505	CERAMIC 0.1U K 16V
	4040950509	CERAMIC 0.1U K 16V		4040950509	CERAMIC 0.1U K 16V
	4032989619	CERAMIC 0.1U K 16V		4032989619	CERAMIC 0.1U K 16V
C7514	4034030319	ELECT 220U M 10V	C7547	4040940104	ELECT 10U M 16V
C7515	4033156812	CERAMIC 4.7U Z 16V		4033831313	ELECT 10U M 16V
C7516	4033940916	ELECT 22U M 6.3V	C7548	4041034505	CERAMIC 0.1U K 16V
C7517	4041034505	CERAMIC 0.1U K 16V		4040950509	CERAMIC 0.1U K 16V
	4040950509	CERAMIC 0.1U K 16V		4032989619	CERAMIC 0.1U K 16V
	4032989619	CERAMIC 0.1U K 16V	C7549	4041034505	CERAMIC 0.1U K 16V
C7518	4041034505	CERAMIC 0.1U K 16V		4040950509	CERAMIC 0.1U K 16V
	4040950509	CERAMIC 0.1U K 16V		4032989619	CERAMIC 0.1U K 16V
	4032989619	CERAMIC 0.1U K 16V	C7550	4041034505	CERAMIC 0.1U K 16V
C7519	4033841411	ELECT 47U M 16V		4040950509	CERAMIC 0.1U K 16V
C752	4040940104	ELECT 10U M 16V		4032989619	CERAMIC 0.1U K 16V
	4033831313	ELECT 10U M 16V	C7551	4041034505	CERAMIC 0.1U K 16V

Ref. No.	Part No.	Description	Ref. No.	Part No.	Description
	4040950509	CERAMIC 0.1U K 16V		4032989619	CERAMIC 0.1U K 16V
	4032989619	CERAMIC 0.1U K 16V	C7578	4041034505	CERAMIC 0.1U K 16V
C7552	4040940104	ELECT 10U M 16V		4040950509	CERAMIC 0.1U K 16V
	4033831313	ELECT 10U M 16V		4032989619	CERAMIC 0.1U K 16V
C7553	4041034505	CERAMIC 0.1U K 16V	C7579	4041034505	CERAMIC 0.1U K 16V
	4040950509	CERAMIC 0.1U K 16V		4040950509	CERAMIC 0.1U K 16V
	4032989619	CERAMIC 0.1U K 16V		4032989619	CERAMIC 0.1U K 16V
C7554	4040950509	CERAMIC 0.1U K 16V	C7580	4041034505	CERAMIC 0.1U K 16V
	4032989619	CERAMIC 0.1U K 16V		4040950509	CERAMIC 0.1U K 16V
C7555	4040950509	CERAMIC 0.1U K 16V		4032989619	CERAMIC 0.1U K 16V
	4032989619	CERAMIC 0.1U K 16V	C7802	4040940104	ELECT 10U M 16V
C7556	4040950509	CERAMIC 0.1U K 16V		4033831313	ELECT 10U M 16V
	4032989619	CERAMIC 0.1U K 16V	C7803	4041034505	CERAMIC 0.1U K 16V
C7557	4040950509	CERAMIC 0.1U K 16V		4040950509	CERAMIC 0.1U K 16V
	4032989619	CERAMIC 0.1U K 16V		4032989619	CERAMIC 0.1U K 16V
C7558	4040940104	ELECT 10U M 16V	C8000	4041034505	CERAMIC 0.1U K 16V
	4033831313	ELECT 10U M 16V		4040950509	CERAMIC 0.1U K 16V
C7559	4040950509	CERAMIC 0.1U K 16V		4032989619	CERAMIC 0.1U K 16V
	4032989619	CERAMIC 0.1U K 16V	C8001	4040940104	ELECT 10U M 16V
C7560	4040940104	ELECT 10U M 16V		4033831313	ELECT 10U M 16V
	4033831313	ELECT 10U M 16V	C8002	4041034505	CERAMIC 0.1U K 16V
C7561	4041034505	CERAMIC 0.1U K 16V		4040950509	CERAMIC 0.1U K 16V
	4040950509	CERAMIC 0.1U K 16V		4032989619	CERAMIC 0.1U K 16V
	4032989619	CERAMIC 0.1U K 16V	C8003	4041034505	CERAMIC 0.1U K 16V
C7562	4040940104	ELECT 10U M 16V		4040950509	CERAMIC 0.1U K 16V
	4033831313	ELECT 10U M 16V		4032989619	CERAMIC 0.1U K 16V
C7563	4041034505	CERAMIC 0.1U K 16V	C8004	4040940104	ELECT 10U M 16V
	4040950509	CERAMIC 0.1U K 16V		4033831313	ELECT 10U M 16V
	4032989619	CERAMIC 0.1U K 16V	C8005	4041040209	CERAMIC 100P J 50V
C7564	4040940104	ELECT 10U M 16V		4040946403	CERAMIC 100P J 50V
	4033831313	ELECT 10U M 16V		4031573611	CERAMIC 100P J 50V
C7565	4041034505	CERAMIC 0.1U K 16V	C8006	4041040209	CERAMIC 100P J 50V
	4040950509	CERAMIC 0.1U K 16V		4040946403	CERAMIC 100P J 50V
	4032989619	CERAMIC 0.1U K 16V		4031573611	CERAMIC 100P J 50V
C7566	4041032907	CERAMIC 0.01U K 50V	C8007	4041040209	CERAMIC 100P J 50V
	4040901204	CERAMIC 0.01U K 50V		4040946403	CERAMIC 100P J 50V
	4032152211	CERAMIC 0.01U K 50V		4031573611	CERAMIC 100P J 50V
C7567	4040940104	ELECT 10U M 16V	C8008	4040940104	ELECT 10U M 16V
	4033831313	ELECT 10U M 16V		4033831313	ELECT 10U M 16V
C7568	4041034505	CERAMIC 0.1U K 16V			
	4040950509	CERAMIC 0.1U K 16V	<b>RESISTOR</b>		
	4032989619	CERAMIC 0.1U K 16V	RB7200	6450210358	R-NETWORK 100X4 0.063W
C7569	4041034505	CERAMIC 0.1U K 16V		6520019706	R-NETWORK 100X4 0.063W
	4040950509	CERAMIC 0.1U K 16V		6520019973	R-NETWORK 100X4 0.063W
	4032989619	CERAMIC 0.1U K 16V	RB7201	6450210358	R-NETWORK 100X4 0.063W
C7570	4041034505	CERAMIC 0.1U K 16V		6520019706	R-NETWORK 100X4 0.063W
	4040950509	CERAMIC 0.1U K 16V		6520019973	R-NETWORK 100X4 0.063W
	4032989619	CERAMIC 0.1U K 16V	RB7202	6450210358	R-NETWORK 100X4 0.063W
C7571	4041034505	CERAMIC 0.1U K 16V		6520019706	R-NETWORK 100X4 0.063W
	4040950509	CERAMIC 0.1U K 16V		6520019973	R-NETWORK 100X4 0.063W
	4032989619	CERAMIC 0.1U K 16V	RB7203	6450210358	R-NETWORK 100X4 0.063W
C7572	4041034505	CERAMIC 0.1U K 16V		6520019706	R-NETWORK 100X4 0.063W
	4040950509	CERAMIC 0.1U K 16V		6520019973	R-NETWORK 100X4 0.063W
	4032989619	CERAMIC 0.1U K 16V	RB7204	6450210358	R-NETWORK 100X4 0.063W
C7573	4041034505	CERAMIC 0.1U K 16V		6520019706	R-NETWORK 100X4 0.063W
	4040950509	CERAMIC 0.1U K 16V		6520019973	R-NETWORK 100X4 0.063W
	4032989619	CERAMIC 0.1U K 16V	RB7205	6450210358	R-NETWORK 100X4 0.063W
C7574	4041034505	CERAMIC 0.1U K 16V		6520019706	R-NETWORK 100X4 0.063W
	4040950509	CERAMIC 0.1U K 16V		6520019973	R-NETWORK 100X4 0.063W
	4032989619	CERAMIC 0.1U K 16V	RB7206	6450588846	R-NETWORK 33X4 0.063W
C7575	4040940104	ELECT 10U M 16V		6520019812	R-NETWORK 33X4 0.063W
	4033831313	ELECT 10U M 16V		6520020030	R-NETWORK 33X4 0.063W
C7576	4041034505	CERAMIC 0.1U K 16V	RB7207	6450210358	R-NETWORK 100X4 0.063W
	4040950509	CERAMIC 0.1U K 16V		6520019706	R-NETWORK 100X4 0.063W
	4032989619	CERAMIC 0.1U K 16V		6520019973	R-NETWORK 100X4 0.063W
C7577	4041034505	CERAMIC 0.1U K 16V	RB7208	6450210358	R-NETWORK 100X4 0.063W
	4040950509	CERAMIC 0.1U K 16V		6520019706	R-NETWORK 100X4 0.063W

Ref. No.	Part No.	Description	Ref. No.	Part No.	Description
	6520019973	R-NETWORK 100X4 0.063W	R1003	4011505915	MT-GLAZE 10K JA 1/10W
RB7209	6450210358	R-NETWORK 100X4 0.063W	R1004	4012560418	MT-GLAZE 12K JA 1/10W
	6520019706	R-NETWORK 100X4 0.063W	R1005	4011505816	MT-GLAZE 100K JA 1/10W
	6520019973	R-NETWORK 100X4 0.063W	R1006	4011505915	MT-GLAZE 10K JA 1/10W
RB7210	6450210358	R-NETWORK 100X4 0.063W	R1007	4012560418	MT-GLAZE 12K JA 1/10W
	6520019706	R-NETWORK 100X4 0.063W	R1008	4011505816	MT-GLAZE 100K JA 1/10W
	6520019973	R-NETWORK 100X4 0.063W	R1009	4011505915	MT-GLAZE 10K JA 1/10W
RB7211	6450210358	R-NETWORK 100X4 0.063W	R101	4012556510	MT-GLAZE 100 JA 1/10W
	6520019706	R-NETWORK 100X4 0.063W	R1010	4012566311	MT-GLAZE 47K JA 1/10W
	6520019973	R-NETWORK 100X4 0.063W	R1011	4012560111	MT-GLAZE 8.2K JA 1/10W
RB7212	6450210426	R-NETWORK 4.7KX4 0.063W	R1012	4011623718	MT-GLAZE 4.7K JA 1/10W
	6520019720	R-NETWORK 4.7KX4 0.063W	R1013	4012565611	MT-GLAZE 47 JA 1/10W
	6520019911	R-NETWORK 4.7KX4 0.063W	R1014	4012565611	MT-GLAZE 47 JA 1/10W
RB7213	6450210426	R-NETWORK 4.7KX4 0.063W	R1015	4011505915	MT-GLAZE 10K JA 1/10W
	6520019720	R-NETWORK 4.7KX4 0.063W	R1016	4012566311	MT-GLAZE 47K JA 1/10W
	6520019911	R-NETWORK 4.7KX4 0.063W	R1017	4012560111	MT-GLAZE 8.2K JA 1/10W
RB7214	6450210358	R-NETWORK 100X4 0.063W	R1018	4011623718	MT-GLAZE 4.7K JA 1/10W
	6520019706	R-NETWORK 100X4 0.063W	R1019	4012565611	MT-GLAZE 47 JA 1/10W
	6520019973	R-NETWORK 100X4 0.063W	R102	4012556510	MT-GLAZE 100 JA 1/10W
RB7215	6450210358	R-NETWORK 100X4 0.063W	R1020	4012565611	MT-GLAZE 47 JA 1/10W
	6520019706	R-NETWORK 100X4 0.063W	R1021	4012562719	MT-GLAZE 75 JA 1/10W
	6520019973	R-NETWORK 100X4 0.063W	R1022	4012562719	MT-GLAZE 75 JA 1/10W
R003	4012566311	MT-GLAZE 47K JA 1/10W	R1023	4011506011	MT-GLAZE 0.000 ZA 1/10W
R004	4011505915	MT-GLAZE 10K JA 1/10W	R1024	4011623817	MT-GLAZE 470K JA 1/10W
R005	4012556510	MT-GLAZE 100 JA 1/10W	R1025	4011623817	MT-GLAZE 470K JA 1/10W
R007	4011506011	MT-GLAZE 0.000 ZA 1/10W	R1026	4012562719	MT-GLAZE 75 JA 1/10W
R008	4011506011	MT-GLAZE 0.000 ZA 1/10W	R1027	4012565611	MT-GLAZE 47 JA 1/10W
R009	4011505915	MT-GLAZE 10K JA 1/10W	R1028	4011623619	MT-GLAZE 470 JA 1/10W
R010	4011505915	MT-GLAZE 10K JA 1/10W	R1029	4012562719	MT-GLAZE 75 JA 1/10W
R011	4012764717	MT-GLAZE 0.000 ZA 1/3W	R103	4012567318	MT-GLAZE 6.8K JA 1/10W
R012	4012764717	MT-GLAZE 0.000 ZA 1/3W	R1030	4011506011	MT-GLAZE 0.000 ZA 1/10W
R014	4012556510	MT-GLAZE 100 JA 1/10W	R1031	4011505915	MT-GLAZE 10K JA 1/10W
R015	4011505915	MT-GLAZE 10K JA 1/10W	R1032	4012560418	MT-GLAZE 12K JA 1/10W
R017	4011506011	MT-GLAZE 0.000 ZA 1/10W	R1034	4012562719	MT-GLAZE 75 JA 1/10W
R018	4012764717	MT-GLAZE 0.000 ZA 1/3W	R1035	4011506011	MT-GLAZE 0.000 ZA 1/10W
R019	4012764717	MT-GLAZE 0.000 ZA 1/3W	R1036	4011505915	MT-GLAZE 10K JA 1/10W
R020	4011506011	MT-GLAZE 0.000 ZA 1/10W	R1037	4012560418	MT-GLAZE 12K JA 1/10W
R021	4011505915	MT-GLAZE 10K JA 1/10W	R104	4012563617	MT-GLAZE 15K JA 1/10W
R025	4011505915	MT-GLAZE 10K JA 1/10W	R105	4011623015	MT-GLAZE 22K JA 1/10W
R026	4012566311	MT-GLAZE 47K JA 1/10W	R106	4011506011	MT-GLAZE 0.000 ZA 1/10W
R027	4011506011	MT-GLAZE 0.000 ZA 1/10W	R107	4012562719	MT-GLAZE 75 JA 1/10W
R028	4011505915	MT-GLAZE 10K JA 1/10W	R108	4011505915	MT-GLAZE 10K JA 1/10W
R029	4011624111	MT-GLAZE 5.6K JA 1/10W	R109	4011505915	MT-GLAZE 10K JA 1/10W
R030	4012764717	MT-GLAZE 0.000 ZA 1/3W	R110	4011623619	MT-GLAZE 470 JA 1/10W
R031	4012764717	MT-GLAZE 0.000 ZA 1/3W	R111	4012566519	MT-GLAZE 68 JA 1/10W
R032	4011506219	MT-GLAZE 1K JA 1/10W	R118	4012764717	MT-GLAZE 0.000 ZA 1/3W
R033	4011506219	MT-GLAZE 1K JA 1/10W	R119	4012764717	MT-GLAZE 0.000 ZA 1/3W
R034	4011505915	MT-GLAZE 10K JA 1/10W	R120	4012565611	MT-GLAZE 47 JA 1/10W
R035	4011624111	MT-GLAZE 5.6K JA 1/10W	R122	4012566311	MT-GLAZE 47K JA 1/10W
R036	4011505915	MT-GLAZE 10K JA 1/10W	R125	4011506011	MT-GLAZE 0.000 ZA 1/10W
R037	4012556510	MT-GLAZE 100 JA 1/10W	R1500	4011623718	MT-GLAZE 4.7K JA 1/10W
R039	4011506011	MT-GLAZE 0.000 ZA 1/10W	R1502	4011506011	MT-GLAZE 0.000 ZA 1/10W
R041	4011622414	MT-GLAZE 1.2K JA 1/10W	R1503	4011623718	MT-GLAZE 4.7K JA 1/10W
R042	4011622414	MT-GLAZE 1.2K JA 1/10W	R1506	4011506011	MT-GLAZE 0.000 ZA 1/10W
R043	4011506110	MT-GLAZE 2.2K JA 1/10W	R1507	4011506011	MT-GLAZE 0.000 ZA 1/10W
R045	4011506011	MT-GLAZE 0.000 ZA 1/10W	R1508	4011623718	MT-GLAZE 4.7K JA 1/10W
R046	4011506011	MT-GLAZE 0.000 ZA 1/10W	R1509	4011623718	MT-GLAZE 4.7K JA 1/10W
R048	4011506011	MT-GLAZE 0.000 ZA 1/10W	R1510	4012562719	MT-GLAZE 75 JA 1/10W
R049	4011506011	MT-GLAZE 0.000 ZA 1/10W	R1511	4012562719	MT-GLAZE 75 JA 1/10W
R050	4011506011	MT-GLAZE 0.000 ZA 1/10W	R1512	4012562719	MT-GLAZE 75 JA 1/10W
R051	4011506011	MT-GLAZE 0.000 ZA 1/10W	R1513	4012565611	MT-GLAZE 47 JA 1/10W
R057	4011623718	MT-GLAZE 4.7K JA 1/10W	R1514	4012565611	MT-GLAZE 47 JA 1/10W
R058	4011623718	MT-GLAZE 4.7K JA 1/10W	R1515	4012565611	MT-GLAZE 47 JA 1/10W
R059	4011623718	MT-GLAZE 4.7K JA 1/10W	R1516	4012556510	MT-GLAZE 100 JA 1/10W
R1000	4012562719	MT-GLAZE 75 JA 1/10W	R1517	4012556510	MT-GLAZE 100 JA 1/10W
R1001	4012565611	MT-GLAZE 47 JA 1/10W	R1518	4011623619	MT-GLAZE 470 JA 1/10W
R1002	4011505816	MT-GLAZE 100K JA 1/10W	R1519	4012560418	MT-GLAZE 12K JA 1/10W

Ref. No.	Part No.	Description	Ref. No.	Part No.	Description
R1520	4012560418	MT-GLAZE 12K JA 1/10W	R7203	4012558712	MT-GLAZE 22 JA 1/10W
R1521	4011505915	MT-GLAZE 10K JA 1/10W	R7204	4012558712	MT-GLAZE 22 JA 1/10W
R1522	4011505915	MT-GLAZE 10K JA 1/10W	R7205	4012558712	MT-GLAZE 22 JA 1/10W
R1524	4011505915	MT-GLAZE 10K JA 1/10W	R7206	4012565611	MT-GLAZE 47 JA 1/10W
R1526	4011506011	MT-GLAZE 0.000 ZA 1/10W	R7207	4012565611	MT-GLAZE 47 JA 1/10W
R1528	4011506011	MT-GLAZE 0.000 ZA 1/10W	R7208	4012563617	MT-GLAZE 15K JA 1/10W
R3000	4012642916	MT-GLAZE 12K FA 1/10W	R7209	4011623718	MT-GLAZE 4.7K JA 1/10W
R3001	4012642916	MT-GLAZE 12K FA 1/10W	R721	4012556510	MT-GLAZE 100 JA 1/10W
R3002	4012764717	MT-GLAZE 0.000 ZA 1/3W	R7210	4011523216	MT-GLAZE 330 JA 1/10W
R3003	4012764717	MT-GLAZE 0.000 ZA 1/3W	R7211	4012555919	MT-GLAZE 200 JA 1/10W
R3004	4011505816	MT-GLAZE 100K JA 1/10W	R7212	4012566519	MT-GLAZE 68 JA 1/10W
R3006	4011506318	MT-GLAZE 200K JA 1/10W	R7213	4012556510	MT-GLAZE 100 JA 1/10W
R3007	4011506011	MT-GLAZE 0.000 ZA 1/10W	R7214	4012564119	MT-GLAZE 56 JA 1/10W
R3010	4011506011	MT-GLAZE 0.000 ZA 1/10W	R7216	4011506011	MT-GLAZE 0.000 ZA 1/10W
R3011	4011506011	MT-GLAZE 0.000 ZA 1/10W	R7217	4011623015	MT-GLAZE 22K JA 1/10W
R3012	4011623718	MT-GLAZE 4.7K JA 1/10W	R7218	4011623015	MT-GLAZE 22K JA 1/10W
R3013	4011623718	MT-GLAZE 4.7K JA 1/10W	R7219	4011623015	MT-GLAZE 22K JA 1/10W
R3014	4011506011	MT-GLAZE 0.000 ZA 1/10W	R722	4012556510	MT-GLAZE 100 JA 1/10W
R3015	4011506011	MT-GLAZE 0.000 ZA 1/10W	R7220	4011623015	MT-GLAZE 22K JA 1/10W
R3016	4011506011	MT-GLAZE 0.000 ZA 1/10W	R7221	4011506011	MT-GLAZE 0.000 ZA 1/10W
R3022	4011506011	MT-GLAZE 0.000 ZA 1/10W	R7222	4011623718	MT-GLAZE 4.7K JA 1/10W
R3023	4012556510	MT-GLAZE 100 JA 1/10W	R7223	4011623718	MT-GLAZE 4.7K JA 1/10W
R3025	4012567011	MT-GLAZE 180K JA 1/10W	R7224	4011623718	MT-GLAZE 4.7K JA 1/10W
R3026	4012567011	MT-GLAZE 180K JA 1/10W	R7225	4011623718	MT-GLAZE 4.7K JA 1/10W
R3100	4011623411	MT-GLAZE 39K JA 1/10W	R7226	4011623718	MT-GLAZE 4.7K JA 1/10W
R3101	4011624012	MT-GLAZE 560 JA 1/10W	R7227	4011623718	MT-GLAZE 4.7K JA 1/10W
R3102	4012566311	MT-GLAZE 47K JA 1/10W	R723	4011623718	MT-GLAZE 4.7K JA 1/10W
R3103	4011505915	MT-GLAZE 10K JA 1/10W	R7238	4011623015	MT-GLAZE 22K JA 1/10W
R3104	4011505915	MT-GLAZE 10K JA 1/10W	R724	4011622216	MT-GLAZE 10 JA 1/10W
R3105	4011623411	MT-GLAZE 39K JA 1/10W	R725	4011622216	MT-GLAZE 10 JA 1/10W
R3106	4011624012	MT-GLAZE 560 JA 1/10W	R726	4011622216	MT-GLAZE 10 JA 1/10W
R3107	4012566311	MT-GLAZE 47K JA 1/10W	R727	4011622216	MT-GLAZE 10 JA 1/10W
R3108	4012561712	MT-GLAZE 33K JA 1/10W	R728	4011622216	MT-GLAZE 10 JA 1/10W
R3109	4012561712	MT-GLAZE 33K JA 1/10W	R729	4011622216	MT-GLAZE 10 JA 1/10W
R3110	4012556510	MT-GLAZE 100 JA 1/10W	R730	4011622216	MT-GLAZE 10 JA 1/10W
R3114	4011506011	MT-GLAZE 0.000 ZA 1/10W	R731	4011622216	MT-GLAZE 10 JA 1/10W
R3115	4011506011	MT-GLAZE 0.000 ZA 1/10W	R732	4012560715	MT-GLAZE 33 JA 1/10W
R3123	4011623411	MT-GLAZE 39K JA 1/10W	R733	4012560715	MT-GLAZE 33 JA 1/10W
R3124	4011623015	MT-GLAZE 22K JA 1/10W	R7339	4012556510	MT-GLAZE 100 JA 1/10W
R3125	4012566311	MT-GLAZE 47K JA 1/10W	R734	4011623718	MT-GLAZE 4.7K JA 1/10W
R3127	4011505915	MT-GLAZE 10K JA 1/10W	R7342	4012558712	MT-GLAZE 22 JA 1/10W
R3128	4011506011	MT-GLAZE 0.000 ZA 1/10W	R7343	4012558712	MT-GLAZE 22 JA 1/10W
R405	4012560111	MT-GLAZE 8.2K JA 1/10W	R7344	4012558712	MT-GLAZE 22 JA 1/10W
R700	4012556015	MT-GLAZE 1M JA 1/10W	R7345	4012556510	MT-GLAZE 100 JA 1/10W
R701	4011506219	MT-GLAZE 1K JA 1/10W	R7347	4012556510	MT-GLAZE 100 JA 1/10W
R702	4011506219	MT-GLAZE 1K JA 1/10W	R7349	4012556510	MT-GLAZE 100 JA 1/10W
R703	4011505915	MT-GLAZE 10K JA 1/10W	R7350	4012556510	MT-GLAZE 100 JA 1/10W
R704	4012556510	MT-GLAZE 100 JA 1/10W	R7351	4012556510	MT-GLAZE 100 JA 1/10W
R705	4012556510	MT-GLAZE 100 JA 1/10W	R7352	4011505915	MT-GLAZE 10K JA 1/10W
R706	4011623718	MT-GLAZE 4.7K JA 1/10W	R7355	4011505915	MT-GLAZE 10K JA 1/10W
R707	4011622216	MT-GLAZE 10 JA 1/10W	R7357	4011505915	MT-GLAZE 10K JA 1/10W
R708	4011622216	MT-GLAZE 10 JA 1/10W	R7358	4011505915	MT-GLAZE 10K JA 1/10W
R709	4011622216	MT-GLAZE 10 JA 1/10W	R736	4011623718	MT-GLAZE 4.7K JA 1/10W
R710	4011622216	MT-GLAZE 10 JA 1/10W	R7360	4011505915	MT-GLAZE 10K JA 1/10W
R711	4011622216	MT-GLAZE 10 JA 1/10W	R7361	4012560418	MT-GLAZE 12K JA 1/10W
R712	4011622216	MT-GLAZE 10 JA 1/10W	R7362	4012567318	MT-GLAZE 6.8K JA 1/10W
R713	4011622216	MT-GLAZE 10 JA 1/10W	R7363	4012566311	MT-GLAZE 47K JA 1/10W
R714	4011622216	MT-GLAZE 10 JA 1/10W	R7364	4012556510	MT-GLAZE 100 JA 1/10W
R715	4012560715	MT-GLAZE 33 JA 1/10W	R7365	4012556510	MT-GLAZE 100 JA 1/10W
R716	4012560715	MT-GLAZE 33 JA 1/10W	R7366	4012556510	MT-GLAZE 100 JA 1/10W
R717	4012556015	MT-GLAZE 1M JA 1/10W	R7367	4012556015	MT-GLAZE 1M JA 1/10W
R718	4011506219	MT-GLAZE 1K JA 1/10W	R7368	4011505915	MT-GLAZE 10K JA 1/10W
R719	4011505915	MT-GLAZE 10K JA 1/10W	R7369	4011506219	MT-GLAZE 1K JA 1/10W
R720	4011506219	MT-GLAZE 1K JA 1/10W	R7370	4011505915	MT-GLAZE 10K JA 1/10W
R7200	4012650218	MT-GLAZE 390 FA 1/10W	R7371	4011506219	MT-GLAZE 1K JA 1/10W
R7201	4012565611	MT-GLAZE 47 JA 1/10W	R7373	4011505915	MT-GLAZE 10K JA 1/10W
R7202	4012565611	MT-GLAZE 47 JA 1/10W	R7374	4011506011	MT-GLAZE 0.000 ZA 1/10W

Ref. No.	Part No.	Description	Ref. No.	Part No.	Description
R7375	4011505915	MT-GLAZE 10K JA 1/10W	R8014	4011506219	MT-GLAZE 1K JA 1/10W
R7376	4011506219	MT-GLAZE 1K JA 1/10W	R8015	4012556015	MT-GLAZE 1M JA 1/10W
R7377	4011505915	MT-GLAZE 10K JA 1/10W	R8016	4012556015	MT-GLAZE 1M JA 1/10W
R7378	4012556510	MT-GLAZE 100 JA 1/10W	R8017	4011623718	MT-GLAZE 4.7K JA 1/10W
R738	4012764717	MT-GLAZE 0.000 ZA 1/3W	R8018	4012566311	MT-GLAZE 47K JA 1/10W
R7380	4012565918	MT-GLAZE 2.7K JA 1/10W	R8019	4012556510	MT-GLAZE 100 JA 1/10W
R7381	4011506110	MT-GLAZE 2.2K JA 1/10W	R8020	4011506219	MT-GLAZE 1K JA 1/10W
R7382	4011623718	MT-GLAZE 4.7K JA 1/10W	R8021	4011506219	MT-GLAZE 1K JA 1/10W
R7383	4012566311	MT-GLAZE 47K JA 1/10W	R8022	4011506011	MT-GLAZE 0.000 ZA 1/10W
R7384	4012566311	MT-GLAZE 47K JA 1/10W	R8023	4011623619	MT-GLAZE 470 JA 1/10W
R7385	4011505915	MT-GLAZE 10K JA 1/10W	R8025	4011506011	MT-GLAZE 0.000 ZA 1/10W
R7386	4012764717	MT-GLAZE 0.000 ZA 1/3W	R8026	4011623619	MT-GLAZE 470 JA 1/10W
R7387	4012764717	MT-GLAZE 0.000 ZA 1/3W			
R7389	4012764717	MT-GLAZE 0.000 ZA 1/3W			
R739	4011623718	MT-GLAZE 4.7K JA 1/10W	<b>COIL</b>		
R7390	4012764717	MT-GLAZE 0.000 ZA 1/3W	L001	6450861680	INDUCTOR,47U M
R7391	4012764717	MT-GLAZE 0.000 ZA 1/3W	L002	6450861680	INDUCTOR,47U M
R7392	4012764717	MT-GLAZE 0.000 ZA 1/3W	L003	6450861680	INDUCTOR,47U M
R7393	4012764717	MT-GLAZE 0.000 ZA 1/3W	L004	6450806827	INDUCTOR,3.3U M
R7394	4012764717	MT-GLAZE 0.000 ZA 1/3W	L1000	6450363894	INDUCTOR,220 OHM
R7395	4012764717	MT-GLAZE 0.000 ZA 1/3W		6520016989	INDUCTOR,220 OHM
R7396	4012764717	MT-GLAZE 0.000 ZA 1/3W	L1001	6450363894	INDUCTOR,220 OHM
R7397	4012764717	MT-GLAZE 0.000 ZA 1/3W		6520016989	INDUCTOR,220 OHM
R7398	4012764717	MT-GLAZE 0.000 ZA 1/3W	L102	6450806827	INDUCTOR,3.3U M
R7399	4012764717	MT-GLAZE 0.000 ZA 1/3W	L103	6450806827	INDUCTOR,3.3U M
R740	4011623718	MT-GLAZE 4.7K JA 1/10W	L1500	4011506011	MT-GLAZE 0.000 ZA 1/10W
R7400	4012764717	MT-GLAZE 0.000 ZA 1/3W	L1501	4011506011	MT-GLAZE 0.000 ZA 1/10W
R7401	4012764717	MT-GLAZE 0.000 ZA 1/3W	L3001	6450806827	INDUCTOR,3.3U M
R7402	4012764717	MT-GLAZE 0.000 ZA 1/3W	L3002	6450806827	INDUCTOR,3.3U M
R7403	4012764717	MT-GLAZE 0.000 ZA 1/3W	L7500	6450363894	INDUCTOR,220 OHM
R7404	4012764717	MT-GLAZE 0.000 ZA 1/3W		6520016989	INDUCTOR,220 OHM
R7405	4012764717	MT-GLAZE 0.000 ZA 1/3W	L7501	6450363894	INDUCTOR,220 OHM
R7406	4012764717	MT-GLAZE 0.000 ZA 1/3W		6520016989	INDUCTOR,220 OHM
R7407	4012764717	MT-GLAZE 0.000 ZA 1/3W	L7502	6450363894	INDUCTOR,220 OHM
R7408	4012582618	MT-GLAZE 150 FA 1/10W		6520016989	INDUCTOR,220 OHM
R7500	4011623718	MT-GLAZE 4.7K JA 1/10W	L7503	6450363894	INDUCTOR,220 OHM
R7501	4011623718	MT-GLAZE 4.7K JA 1/10W		6520016989	INDUCTOR,220 OHM
R7502	4011505915	MT-GLAZE 10K JA 1/10W	L7504	6450363894	INDUCTOR,220 OHM
R7503	4011623718	MT-GLAZE 4.7K JA 1/10W		6520016989	INDUCTOR,220 OHM
R7504	4011505915	MT-GLAZE 10K JA 1/10W	L7505	6450363894	INDUCTOR,220 OHM
R7505	4012347613	MT-GLAZE 3.9 JA 1W		6520016989	INDUCTOR,220 OHM
R7506	4012347613	MT-GLAZE 3.9 JA 1W	L7506	6450363894	INDUCTOR,220 OHM
R7507	4011590614	MT-GLAZE 8.2 JA 1/16W		6520016989	INDUCTOR,220 OHM
R7508	4012560319	MT-GLAZE 820 JA 1/10W	L7507	6450363894	INDUCTOR,220 OHM
R7509	4011505915	MT-GLAZE 10K JA 1/10W		6520016989	INDUCTOR,220 OHM
R7510	4011505915	MT-GLAZE 10K JA 1/10W	L7508	6450363894	INDUCTOR,220 OHM
R7511	4011505915	MT-GLAZE 10K JA 1/10W		6520016989	INDUCTOR,220 OHM
R7512	4011505915	MT-GLAZE 10K JA 1/10W	L7509	6450363894	INDUCTOR,220 OHM
R7513	4012764717	MT-GLAZE 0.000 ZA 1/3W		6520016989	INDUCTOR,220 OHM
R7514	4012764717	MT-GLAZE 0.000 ZA 1/3W	L7510	6450363894	INDUCTOR,220 OHM
R752	4012566014	MT-GLAZE 27K JA 1/10W		6520016989	INDUCTOR,220 OHM
R7801	4011901717	MT-GLAZE 0.000 ZA 1W	L7511	6450363894	INDUCTOR,220 OHM
R7808	4011506011	MT-GLAZE 0.000 ZA 1/10W		6520016989	INDUCTOR,220 OHM
R7809	4011506011	MT-GLAZE 0.000 ZA 1/10W	L8000	6450363894	INDUCTOR,220 OHM
R7810	4011506011	MT-GLAZE 0.000 ZA 1/10W		6520016989	INDUCTOR,220 OHM
R8000	4012561712	MT-GLAZE 33K JA 1/10W	<b>DIODE</b>		
R8002	4012556510	MT-GLAZE 100 JA 1/10W	D008	4072187716	ZENER DIODE UDZS20B-TE-17
R8003	4012556510	MT-GLAZE 100 JA 1/10W		4080641900	ZENER DIODE MM3Z 20B
R8004	4011623718	MT-GLAZE 4.7K JA 1/10W	D009	4080627201	DIODE 1SS35
R8005	4011623718	MT-GLAZE 4.7K JA 1/10W		4071490817	DIODE 1SS355-TE-17
R8006	4011623718	MT-GLAZE 4.7K JA 1/10W	D010	4080627201	DIODE 1SS35
R8007	4011623718	MT-GLAZE 4.7K JA 1/10W		4071490817	DIODE 1SS355-TE-17
R8009	4011623718	MT-GLAZE 4.7K JA 1/10W	D1500	4080627201	DIODE 1SS35
R8010	4011623718	MT-GLAZE 4.7K JA 1/10W		4071490817	DIODE 1SS355-TE-17
R8011	4012556510	MT-GLAZE 100 JA 1/10W	D1501	4080627201	DIODE 1SS35
R8012	4012556510	MT-GLAZE 100 JA 1/10W		4071490817	DIODE 1SS355-TE-17
R8013	4011506219	MT-GLAZE 1K JA 1/10W	D1502	4072089713	ZD UDZS-TE-175.6B

Ref. No.	Part No.	Description	Ref. No.	Part No.	Description
D1503	4080629700	ZENER DIODE MM3Z5V6B		4051631612	TR 2SC2812N-L6-TB0
	4072089713	ZD UDZS-TE-175.6B		4051739813	TR 2SC3928A1R
	4080629700	ZENER DIODE MM3Z5V6B		4051739912	TR 2SC3928A1S
D3000	4080627201	DIODE 1SS35	Q1903	4060214407	TR MMBTSC3928R
	4071490817	DIODE 1SS355-TE-17		4050144519	TR 2SC2412K T146 R
D3001	4080627201	DIODE 1SS35		4050144618	TR 2SC2412K T146 S
	4071490817	DIODE 1SS355-TE-17		4050158724	TR 2SC2812-L6-TB
D3100	4080627201	DIODE 1SS35		4050158922	TR 2SC2812-L7-TB
	4071490817	DIODE 1SS355-TE-17		4051631612	TR 2SC2812N-L6-TB0
D3101	4080627201	DIODE 1SS35		4051739813	TR 2SC3928A1R
	4071490817	DIODE 1SS355-TE-17		4051739912	TR 2SC3928A1S
D400	4080627201	DIODE 1SS35	<b>INTEGRATED CIRCUIT</b>		
	4071490817	DIODE 1SS355-TE-17	IC1901	4096866314	IC CM3202A30P
D401	4080627201	DIODE 1SS35	<b>CAPACITOR</b>		
	4071490817	DIODE 1SS355-TE-17	C1920	4033687316	CERAMIC 10U K 6.3V
D700	4080627201	DIODE 1SS35	C1921	4033687316	CERAMIC 10U K 6.3V
	4071490817	DIODE 1SS355-TE-17	C1922	4041032402	CERAMIC 1000P K 50V
D701	4080627201	DIODE 1SS35		4040901105	CERAMIC 1000P K 50V
	4071490817	DIODE 1SS355-TE-17		4031133815	CERAMIC 1000P K 50V
D702	4080627201	DIODE 1SS35	C1923	4040944003	CERAMIC 0.1U Z 50V
	4071490817	DIODE 1SS355-TE-17	<b>RESISTOR</b>		
D703	4080627201	DIODE 1SS35	R1920	4011622919	MT-GLAZE 220 JA 1/10W
	4071490817	DIODE 1SS355-TE-17	R1921	4011622919	MT-GLAZE 220 JA 1/10W
D704	4080627201	DIODE 1SS35	R1922	4012556510	MT-GLAZE 100 JA 1/10W
	4071490817	DIODE 1SS355-TE-17	R1923	4011623015	MT-GLAZE 22K JA 1/10W
D7200	4080627201	DIODE 1SS35	R1924	4011623619	MT-GLAZE 470 JA 1/10W
	4071490817	DIODE 1SS355-TE-17	R1925	4011623015	MT-GLAZE 22K JA 1/10W
D7201	4080627201	DIODE 1SS35	R1926	4012566212	MT-GLAZE 270 JA 1/10W
	4071490817	DIODE 1SS355-TE-17	R1927	4011506011	MT-GLAZE 0.000 ZA 1/10W
<b>MISCELLANEOUS</b>			R1928	4012566113	MT-GLAZE 4.7M JA 1/10W
A102	6520025042	TUNERU/V	R1929	4012556015	MT-GLAZE 1M JA 1/10W
K1000	6520019171	JACK,RCA-6	R1930	4011506011	MT-GLAZE 0.000 ZA 1/10W
K1001	6520011960	SOCKET,DIN 4P	R1931	4011506011	MT-GLAZE 0.000 ZA 1/10W
K1002	6100098053	JACK,PHONE D3.6	R1932	4011506011	MT-GLAZE 0.000 ZA 1/10W
	6520015067	JACK,PHONE D3.6	R1933	4011506011	MT-GLAZE 0.000 ZA 1/10W
	6520015937	JACK,PHONE D3.6	R1934	4011506011	MT-GLAZE 0.000 ZA 1/10W
K1003	6520019188	JACK,RCA-5(6-1)	R1935	4011506011	MT-GLAZE 0.000 ZA 1/10W
K1006	6450754944	SOCKET,IF(HDMI) 19P	R1940	4011506219	MT-GLAZE 1K JA 1/10W
	6450857430	SOCKET,IF(HDMI) 19P	R1941	4011622919	MT-GLAZE 220 JA 1/10W
K1007	6450754944	SOCKET,IF(HDMI) 19P	R1942	4012556510	MT-GLAZE 100 JA 1/10W
	6450857430	SOCKET,IF(HDMI) 19P	R1943	4011506011	MT-GLAZE 0.000 ZA 1/10W
K1501	6450077456	JACK,PHONE D3.5	R1948	4011506011	MT-GLAZE 0.000 ZA 1/10W
	6520022003	JACK,PHONE D3.6	<b>6103394688 ASSY,PWB, POWER, N5ZV 1AA0B10S265AA</b>		
K1502	6450508011	SOCKET,D-SUB 15P	<b>TRANSISTOR</b>		
	6520016873	SOCKET,D-SUB 15P	Q1603	4051814609	TR 2SK3264
X7200	6450694134	OSC,CRYSTAL 12.00MHZ	Q1606	4050180606	TR 2SC3332-S
	6520025417	OSC,CRYSTAL12.000MHZ	Q601	4052211308	TR STW25NM50N
<b>6103394633 ASSY,PWB, RC+LED, N5YV 1AA0B10S2640B</b>			Q602	4051789709	TR 2SK3505
<b>TRANSISTOR</b>			Q604	4051789709	TR 2SK3505
Q1901	4060214407	TR MMBTSC3928R	Q6800	4060214407	TR MMBTSC3928R
	4050144519	TR 2SC2412K T146 R		4050144519	TR 2SC2412K T146 R
	4050144618	TR 2SC2412K T146 S		4050144618	TR 2SC2412K T146 S
	4050158724	TR 2SC2812-L6-TB		4050158724	TR 2SC2812-L6-TB
	4050158922	TR 2SC2812-L7-TB		4050158922	TR 2SC2812-L7-TB
	4051631612	TR 2SC2812N-L6-TB0		4051631612	TR 2SC2812N-L6-TB0
	4051739813	TR 2SC3928A1R		4051739813	TR 2SC3928A1R
	4051739912	TR 2SC3928A1S	Q681	4060213004	TR CJD400-E
Q1902	4060214407	TR MMBTSC3928R		4050235009	TR 2SD400-E-MP
	4050144519	TR 2SC2412K T146 R	Q682	4060214407	TR MMBTSC3928R
	4050144618	TR 2SC2412K T146 S			
	4050158724	TR 2SC2812-L6-TB			
	4050158922	TR 2SC2812-L7-TB			

Ref. No.	Part No.	Description	Ref. No.	Part No.	Description
	4050144519	TR 2SC2412K T146 R		4034208708	ELECT 47U M 35V
	4050144618	TR 2SC2412K T146 S	C1602	4041044900	CERAMIC 0.1U K 50V
	4050158724	TR 2SC2812-L6-TB		4040912606	CERAMIC 0.1U K 50V
	4050158922	TR 2SC2812-L7-TB	C1603	4041046706	CERAMIC 0.047U K 50V
	4051631612	TR 2SC2812N-L6-TB0		4040914501	CERAMIC 0.047U K 50V
	4051739813	TR 2SC3928A1R	C1604	4041084500	ELECT 47U M 25V
	4051739912	TR 2SC3928A1S	C1605	4041032402	CERAMIC 1000P K 50V
Q683	4060214407	TR MMBTSC3928R		4040901105	CERAMIC 1000P K 50V
	4050144519	TR 2SC2412K T146 R	C1606	4041044900	CERAMIC 0.1U K 50V
	4050144618	TR 2SC2412K T146 S		4040912606	CERAMIC 0.1U K 50V
	4050158724	TR 2SC2812-L6-TB	C1607	4041111701	ELECT 47U M 50V
	4050158922	TR 2SC2812-L7-TB	C1608	4041044900	CERAMIC 0.1U K 50V
	4051631612	TR 2SC2812N-L6-TB0		4040912606	CERAMIC 0.1U K 50V
	4051739813	TR 2SC3928A1R	C1609	4041032907	CERAMIC 0.01U K 50V
	4051739912	TR 2SC3928A1S		4040901204	CERAMIC 0.01U K 50V
Q684	4060214407	TR MMBTSC3928R	C1610	4041111503	CERAMIC 2200P K 2K
	4050144519	TR 2SC2412K T146 R		4040861904	CERAMIC 2200P K 2K
	4050144618	TR 2SC2412K T146 S	C1655	4041112500	CERAMIC 470P K 2K
	4050158724	TR 2SC2812-L6-TB		4040862109	CERAMIC 470P K 2K
	4050158922	TR 2SC2812-L7-TB		4032454404	CERAMIC 470P K 2K
	4051631612	TR 2SC2812N-L6-TB0	C1664	4041044900	CERAMIC 0.1U K 50V
	4051739813	TR 2SC3928A1R		4040912606	CERAMIC 0.1U K 50V
	4051739912	TR 2SC3928A1S	C1675	4041044900	CERAMIC 0.1U K 50V
Q685	4060214407	TR MMBTSC3928R		4040912606	CERAMIC 0.1U K 50V
	4050144519	TR 2SC2412K T146 R	C1689	4041044900	CERAMIC 0.1U K 50V
	4050144618	TR 2SC2412K T146 S		4040912606	CERAMIC 0.1U K 50V
	4050158724	TR 2SC2812-L6-TB	C1693	4041044900	CERAMIC 0.1U K 50V
	4050158922	TR 2SC2812-L7-TB		4040912606	CERAMIC 0.1U K 50V
	4051631612	TR 2SC2812N-L6-TB0	△ C601	4040888802	MT-POLYEST 0.22U M 275V
	4051739813	TR 2SC3928A1R		4040941804	MT-POLYEST 0.22U K 275V
	4051739912	TR 2SC3928A1S	△ C602	4040733904	CERAMIC 1000P K 250V
Q690	4052203115	TR ISA1235AC1E		4041113903	CERAMIC 1000P M 400V
	4052203016	TR ISA1235AC1F	C6024	4032812412	CERAMIC 0.22U K 16V
	4060214308	TR MMBTSA1235F		4033645910	CERAMIC 0.22U K 16V
	4051345925	TR 2SA1037AK-T146-R	C603	4040733904	CERAMIC 1000P K 250V
	4051472215	TR 2SA1037AK-S-T146		4041113903	CERAMIC 1000P M 400V
	4051739615	TR 2SA1235A1E	C604	4040888802	MT-POLYEST 0.22U M 275V
	4051739714	TR 2SA1235A1F		4040941804	MT-POLYEST 0.22U K 275V
Q691	4060214407	TR MMBTSC3928R	C605	4040888802	MT-POLYEST 0.22U M 275V
	4050144519	TR 2SC2412K T146 R		4040941804	MT-POLYEST 0.22U K 275V
	4050144618	TR 2SC2412K T146 S	C606	4040733706	CERAMIC 100P K 250V
	4050158724	TR 2SC2812-L6-TB		4041144204	CERAMIC 100P K 400V
	4050158922	TR 2SC2812-L7-TB	C607	4032601600	MT-POLYEST 1U J 400V
	4051631612	TR 2SC2812N-L6-TB0		4034334516	MT-POLYEST 1U K 400V
	4051739813	TR 2SC3928A1R	C608	4032601600	MT-POLYEST 1U J 400V
	4051739912	TR 2SC3928A1S		4034334516	MT-POLYEST 1U K 400V
Q692	4052203115	TR ISA1235AC1E	C611	4041044900	CERAMIC 0.1U K 50V
	4052203016	TR ISA1235AC1F		4040912606	CERAMIC 0.1U K 50V
	4060214308	TR MMBTSA1235F	C612	4041102600	ELECT 10U M 16V
	4051345925	TR 2SA1037AK-T146-R	C613	4041045006	CERAMIC 1200P K 50V
	4051472215	TR 2SA1037AK-S-T146		4040912705	CERAMIC 1200P K 50V
	4051739615	TR 2SA1235A1E	C614	4041040308	CERAMIC 1000P J 50V
	4051739714	TR 2SA1235A1F		4040946502	CERAMIC 1000P J 50V
			C615	4041167500	CERAMIC 1U K 16V
			C616	4041045600	CERAMIC 220P K 50V
				4040913207	CERAMIC 220P K 50V
				4031576216	CERAMIC 220P K 50V
			C617	4041150809	CERAMIC 0.22U K 50V
				4040913405	CERAMIC 0.22U K 50V
			C618	4033238815	CERAMIC 2.2U Z 16V
			C619	4040888802	MT-POLYEST 0.22U M 275V
				4040941804	MT-POLYEST 0.22U K 275V
			C620	4034271811	MT-POLYEST 0.1U K 450V
			C625	4034271811	MT-POLYEST 0.1U K 450V
			C626	4034271811	MT-POLYEST 0.1U K 450V
			C630	4041046508	CERAMIC 470P K 50V
				4040914303	CERAMIC 470P K 50V
<b>INTEGRATED CIRCUIT</b>					
IC1601	4096910512	IC FAN7602M			
IC602	4096910215	IC UCC28019DR			
IC604	4096915200	IC TL431ATA			
	4091802307	IC UPC1093J			
IC610	4096915200	IC TL431ATA			
	4091802307	IC UPC1093J			
IC633	4096867618	IC L6599DTR			
IC670	4094991503	IC KIA78R05PI			
IC680	4096910106	IC KIA378R12PI			
<b>CAPACITOR</b>					
△ C1601	4041098002	ELECT 47U M 35V			



Ref. No.	Part No.	Description	Ref. No.	Part No.	Description
△C631	4041045204	CERAMIC 1500P K 50V		4032719602	CERAMIC 1000P K 1K
	4040901303	CERAMIC 1500P K 50V	C680	4041063901	ELECT 1000U M 25V
△C632	4041150809	CERAMIC 0.22U K 50V		4034309702	ELECT 1000U M 25V
	4040913405	CERAMIC 0.22U K 50V	C6800	4040912606	CERAMIC 0.1U K 50V
C633	4041032402	CERAMIC 1000P K 50V		4033701517	CERAMIC 0.1U K 50V
	4040901105	CERAMIC 1000P K 50V	C6803	4040912606	CERAMIC 0.1U K 50V
C634	4041150809	CERAMIC 0.22U K 50V		4033701517	CERAMIC 0.1U K 50V
	4040913405	CERAMIC 0.22U K 50V	C681	4041063901	ELECT 1000U M 25V
C635	4041112500	CERAMIC 470P K 2K		4034309702	ELECT 1000U M 25V
	4040862109	CERAMIC 470P K 2K	C682	4041098408	ELECT 100U M 25V
	4032454404	CERAMIC 470P K 2K		4034275304	ELECT 100U M 25V
△C636	4041149902	MT-POLYPRO 0.047U H 800V	C683	4041063703	ELECT 2200U M 25V
	4041109401	MT-POLYPRO 0.047U J 800V		4034311804	ELECT 2200U M 25V
C637	4041044900	CERAMIC 0.1U K 50V	C684	4041032907	CERAMIC 0.01U K 50V
	4040912606	CERAMIC 0.1U K 50V		4040901204	CERAMIC 0.01U K 50V
C638	4041084500	ELECT 47U M 25V	C685	4041044900	CERAMIC 0.1U K 50V
C639	4041003105	POLYESTER 0.1U J 100		4040912606	CERAMIC 0.1U K 50V
	4032564826	MT-COMPO 0.1U J 100V	C686	4041044900	CERAMIC 0.1U K 50V
	4032564836	MT-COMPO 0.1U J 100		4040912606	CERAMIC 0.1U K 50V
	4032564806	MT-COMPO 0.1U J 100V	C687	4041032907	CERAMIC 0.01U K 50V
C640	4041150809	CERAMIC 0.22U K 50V		4040901204	CERAMIC 0.01U K 50V
	4040913405	CERAMIC 0.22U K 50V	C688	4041078400	CERAMIC 1000P K 1K
C647	4041166404	ELECT 220U M 450V		4040846307	CERAMIC 1000P K 1K
C652	4040734406	CERAMIC 220P K 250V		4032221303	CERAMIC 1000P K 1K
	4041171804	CERAMIC 220P K 400V		4032719602	CERAMIC 1000P K 1K
C653	4040734406	CERAMIC 220P K 250V	C689	4040912606	CERAMIC 0.1U K 50V
	4041171804	CERAMIC 220P K 400V		4032245715	CERAMIC 1000P K 50V
C654	4040733706	CERAMIC 100P K 250V	C690	4041063802	ELECT 1000U M 16V
	4041144204	CERAMIC 100P K 400V	C691	4041063703	ELECT 2200U M 25V
C655	4041112500	CERAMIC 470P K 2K	C692	4041063901	ELECT 1000U M 25V
	4040862109	CERAMIC 470P K 2K		4034309702	ELECT 1000U M 25V
	4032454404	CERAMIC 470P K 2K	C693	4041044900	CERAMIC 0.1U K 50V
C661	4040912606	CERAMIC 0.1U K 50V		4040912606	CERAMIC 0.1U K 50V
	4033701517	CERAMIC 0.1U K 50V	C694	4040912606	CERAMIC 0.1U K 50V
C662	4041064700	ELECT 2200U M 35V		4033701517	CERAMIC 0.1U K 50V
C663	4041064205	ELECT 1000U M 35V	C695	4041078400	CERAMIC 1000P K 1K
	4034315505	ELECT 1000U M 35V		4040846307	CERAMIC 1000P K 1K
C664	4041044900	CERAMIC 0.1U K 50V		4032221303	CERAMIC 1000P K 1K
	4040912606	CERAMIC 0.1U K 50V		4032719602	CERAMIC 1000P K 1K
C665	4041064205	ELECT 1000U M 35V	C696	4040912606	CERAMIC 0.1U K 50V
	4034315505	ELECT 1000U M 35V		4033701517	CERAMIC 0.1U K 50V
C666	4041078400	CERAMIC 1000P K 1K	C698	4041044900	CERAMIC 0.1U K 50V
	4040846307	CERAMIC 1000P K 1K		4040912606	CERAMIC 0.1U K 50V
	4032221303	CERAMIC 1000P K 1K	C699	4041064304	ELECT 470U M 16V
	4032719602	CERAMIC 1000P K 1K			
C667	4041078400	CERAMIC 1000P K 1K	<b>RESISTOR</b>		
	4040846307	CERAMIC 1000P K 1K	R1601	4012552710	MT-GLAZE 3.9M JA 1/4W
	4032221303	CERAMIC 1000P K 1K	R1602	4012552710	MT-GLAZE 3.9M JA 1/4W
	4032719602	CERAMIC 1000P K 1K	R1603	4011882818	MT-GLAZE 56K JA 1/4W
C670	4041063802	ELECT 1000U M 16V	R1604	4011879214	MT-GLAZE 10 JA 1/4W
C671	4041044900	CERAMIC 0.1U K 50V	R1605	4011882610	MT-GLAZE 56 JA 1/4W
	4040912606	CERAMIC 0.1U K 50V	R1606	4011505915	MT-GLAZE 10K JA 1/10W
C672	4041064304	ELECT 470U M 16V	R1607	4011506219	MT-GLAZE 1K JA 1/10W
C673	4041044900	CERAMIC 0.1U K 50V	R1608	4021196308	OXIDE-MT 0.47 JA 1W
	4040912606	CERAMIC 0.1U K 50V		4020949509	OXIDE-MT 0.47 JA 1W
C675	4041044900	CERAMIC 0.1U K 50V		4021205000	OXIDE-MT 0.47 JA 1W
	4040912606	CERAMIC 0.1U K 50V		4010575216	OXIDE-MT 0.47 JA 1W
C676	4041064205	ELECT 1000U M 35V	R1609	4012189213	MT-GLAZE 100 JA 1/3W
C677	4041064700	ELECT 2200U M 35V	R1610	4011881217	MT-GLAZE 33 JA 1/4W
C678	4041078400	CERAMIC 1000P K 1K	R1611	4012560210	MT-GLAZE 120K JA 1/10W
	4040846307	CERAMIC 1000P K 1K	R1612	4012565314	MT-GLAZE 56K JA 1/10W
	4032221303	CERAMIC 1000P K 1K	R1613	4012559214	MT-GLAZE 6.2K JA 1/10W
	4032719602	CERAMIC 1000P K 1K	R1614	4011624111	MT-GLAZE 5.6K JA 1/10W
C679	4041078400	CERAMIC 1000P K 1K	R1615	4011035610	MT-GLAZE 10K JA 1/4W
	4040846307	CERAMIC 1000P K 1K	R1616	4011880517	MT-GLAZE 2.2K JA 1/4W
	4032221303	CERAMIC 1000P K 1K	R1617	4011882818	MT-GLAZE 56K JA 1/4W
			R1618	4021034501	OXIDE-MT 68K JA 2W

Ref. No.	Part No.	Description	Ref. No.	Part No.	Description
	4020932709	OXIDE-MT 68K JA 2W		4010575216	OXIDE-MT 0.47 JA 1W
	4010694511	OXIDE-MT 68K JA 2W	R671	4012566014	MT-GLAZE 27K JA 1/10W
R1619	4011842010	MT-GLAZE 2.2 JA 1/2W	R672	4011623718	MT-GLAZE 4.7K JA 1/10W
R1621	4012552710	MT-GLAZE 3.9M JA 1/4W	R6800	4011506219	MT-GLAZE 1K JA 1/10W
R1622	4012552710	MT-GLAZE 3.9M JA 1/4W	R6801	4011506110	MT-GLAZE 2.2K JA 1/10W
R1623	4012556114	MT-GLAZE 20K JA 1/10W	R6802	4012655718	MT-GLAZE 8.2K FA 1/10W
R1685	4012566014	MT-GLAZE 27K JA 1/10W	R6803	4012643715	MT-GLAZE 1.5K FA 1/10W
R6002	4012565611	MT-GLAZE 47 JA 1/10W	R6804	4012641919	MT-GLAZE 10K FA 1/10W
R6003	4012641919	MT-GLAZE 10K FA 1/10W	R6805	4011623619	MT-GLAZE 470 JA 1/10W
R6005	4012641810	MT-GLAZE 1K FA 1/10W	R6806	4012566014	MT-GLAZE 27K JA 1/10W
R6006	4012582618	MT-GLAZE 150 FA 1/10W	R6807	4011623718	MT-GLAZE 4.7K JA 1/10W
R6008	4011882313	MT-GLAZE 4.7K JA 1/4W	R6809	4011623015	MT-GLAZE 22K JA 1/10W
R6009	4011506110	MT-GLAZE 2.2K JA 1/10W	R681	4021102200	OXIDE-MT 0.22 JA 2W
△ R601	4010104802	CARBON 470K JA 1/2W	R681	4011007716	OXIDE-MT 0.22 JA 2W
	4021038400	CARBON 470K JA 1/2W	R6810	4011505915	MT-GLAZE 10K JA 1/10W
	4020925305	CARBON 470K JA 1/2W	R6811	4011506219	MT-GLAZE 1K JA 1/10W
△ R602	4010104802	CARBON 470K JA 1/2W	R6812	4011506219	MT-GLAZE 1K JA 1/10W
	4021038400	CARBON 470K JA 1/2W	R6813	4011506219	MT-GLAZE 1K JA 1/10W
	4020925305	CARBON 470K JA 1/2W	R6814	4011506219	MT-GLAZE 1K JA 1/10W
R604	4012552710	MT-GLAZE 3.9M JA 1/4W	R682	4012566014	MT-GLAZE 27K JA 1/10W
R605	4012552710	MT-GLAZE 3.9M JA 1/4W	R683	4011623718	MT-GLAZE 4.7K JA 1/10W
R606	4021102200	OXIDE-MT 0.22 JA 2W	R684	4021196407	OXIDE-MT 10 JA 1W
	4021033405	OXIDE-MT 0.22 JA 2W		4020926302	OXIDE-MT 10 JA 1W
	4011007716	OXIDE-MT 0.22 JA 2W		4010581118	OXIDE-MT 10 JA 1W
R607	4021102200	OXIDE-MT 0.22 JA 2W	R685	4012566014	MT-GLAZE 27K JA 1/10W
	4021033405	OXIDE-MT 0.22 JA 2W	R686	4011603314	MT-GLAZE 1.5K JA 1/4W
	4011007716	OXIDE-MT 0.22 JA 2W	R687	4011623718	MT-GLAZE 4.7K JA 1/10W
R608	4011880418	MT-GLAZE 220 JA 1/4W	R688	4011623718	MT-GLAZE 4.7K JA 1/10W
R609	4011505816	MT-GLAZE 100K JA 1/10W	R691	4011623619	MT-GLAZE 470 JA 1/10W
R615	4012654414	MT-GLAZE 6.8K FA 1/10W	R692	4011880418	MT-GLAZE 220 JA 1/4W
R616	4012650317	MT-GLAZE 3.9K FA 1/10W	R693	4011623718	MT-GLAZE 4.7K JA 1/10W
R618	4012543015	MT-GLAZE 33K JA 1/4W	R694	4011623015	MT-GLAZE 22K JA 1/10W
R621	4011882016	MT-GLAZE 4.7 JA 1/4W	R695	4011506219	MT-GLAZE 1K JA 1/10W
R624	4011881217	MT-GLAZE 33 JA 1/4W	R696	4011506219	MT-GLAZE 1K JA 1/10W
R626	4011881910	MT-GLAZE 390K JA 1/4W	R697	4011506110	MT-GLAZE 2.2K JA 1/10W
R627	4011881910	MT-GLAZE 390K JA 1/4W	R698	4011624111	MT-GLAZE 5.6K JA 1/10W
R630	4021096400	OXIDE-MT 12K JA 1W	R699	4011465110	MT-GLAZE 1K JA 1/4W
	4021048409	OXIDE-MT 12K JA 1W			
	4010589817	OXIDE-MT 12K JA 1W			
R636	4012566311	MT-GLAZE 47K JA 1/10W	<b>TRANSFORMER</b>		
R637	4012646518	MT-GLAZE 2.2K FA 1/10W	△ T6011	6520025219	TRANS, POWER, PULSE
R642	4011505915	MT-GLAZE 10K JA 1/10W	T602	6520025172	TRANS, POWER, PULSE
R643	4012563617	MT-GLAZE 15K JA 1/10W			
R644	4012561415	MT-GLAZE 330K JA 1/10W	<b>COIL</b>		
R645	4012555810	MT-GLAZE 2K JA 1/10W	△ L601	6520024755	LINE FILTER
R647	4011505915	MT-GLAZE 10K JA 1/10W	L602	6520024472	LINE FILTER
R648	4012566311	MT-GLAZE 47K JA 1/10W	L603	6520024472	LINE FILTER
R649	4011879214	MT-GLAZE 10 JA 1/4W	L604	6520024472	LINE FILTER
R650	4011879214	MT-GLAZE 10 JA 1/4W	L605	6520025202	INDUCTOR ,560UH
R651	4012566311	MT-GLAZE 47K JA 1/10W	L660	6520024144	INDUCTOR, 0.8UH
R652	4011879214	MT-GLAZE 10 JA 1/4W	L661	6520024144	INDUCTOR, 0.8UH
R653	4012566212	MT-GLAZE 270 JA 1/10W	L662	6520001749	CORE, PIPE
R654	4021036406	OXIDE-MT 0.68 JA 1W	L663	6520024144	INDUCTOR, 0.8UH
	4020949608	OXIDE-MT 0.68 JA 1W	L670	6520001749	CORE, PIPE
	4010576817	OXIDE-MT 0.68 JA 1W	L671	6520001749	CORE, PIPE
R655	4011879214	MT-GLAZE 10 JA 1/4W	<b>DIODE</b>		
R656	4012560012	MT-GLAZE 120 JA 1/10W	D1601	4080476205	ZENER DIODE MTZJ36A
R658	4021173200	SOLID 10M KA 1/2W	D1602	4080585105	DIODE LL4148
R659	4021173200	SOLID 10M KA 1/2W	D1604	4080584207	DIODE EU1
R661	4021096103	OXIDE-MT 0.47 JA 2W	D1605	4080475307	ZENER DIODE MTZJ16A-52
	4020931405	OXIDE-MT 0.47 JA 2W	D1606	4080584207	DIODE EU1
	4010642106	OXIDE-MT 0.47 JA 2W	D1607	4080456603	DIODE EG01C
R664	4011836712	MT-GLAZE 3.3K JA 1/2W		4080583804	DIODE EG01C
R666	4011836712	MT-GLAZE 3.3K JA 1/2W	D601	4072494309	DIODE FMD-G26S
R667	4011506219	MT-GLAZE 1K JA 1/10W	D602	4080614706	DIODE RL255
R670	4021196308	OXIDE-MT 0.47 JA 1W	D603	4080643508	DIODE D15SB60
	4020949509	OXIDE-MT 0.47 JA 1W	D604	4072187518	ZENER DIODE UDZS16B-TE-17

Ref. No.	Part No.	Description	Ref. No.	Part No.	Description
	4080647506	ZENER DIODE MM3Z 16B	R1912	4011506011	MT-GLAZE 0.000 ZA 1/10W
△ D610	4080585105	DIODE LL4148	<b>COIL</b>		
D611	4080585105	DIODE LL4148	L1900	6450046650	INDUCTOR, 600 OHM
D612	4080585105	DIODE LL4148	<b>DIODE</b>		
D630	4080585105	DIODE LL4148	ZD1900	4072065618	ZENER DIODE UDZS-TE-1710B
D631	4080585105	DIODE LL4148		4080632403	ZENER DIODE MM3Z 10B
D638	4080475307	ZENER DIODE MTZJ16A-52	ZD1901	4072065618	ZENER DIODE UDZS-TE-1710B
D650	4072626700	PHOTO COUPLE BPC-817MC		4080632403	ZENER DIODE MM3Z 10B
	4072348701	PHOTO COUPLE PC123X5YFZ	ZD1902	4072065618	ZENER DIODE UDZS-TE-1710B
	4072303908	PHOTO COUPLE PC123Y52		4080632403	ZENER DIODE MM3Z 10B
D651	4072626700	PHOTO COUPLE BPC-817MC	ZD1903	4072065618	ZENER DIODE UDZS-TE-1710B
	4072348701	PHOTO COUPLE PC123X5YFZ		4080632403	ZENER DIODE MM3Z 10B
	4072303908	PHOTO COUPLE PC123Y52	ZD1904	4072065618	ZENER DIODE UDZS-TE-1710B
D652	4072626700	PHOTO COUPLE BPC-817MC		4080632403	ZENER DIODE MM3Z 10B
	4072348701	PHOTO COUPLE PC123X5YFZ	ZD1905	4072065618	ZENER DIODE UDZS-TE-1710B
	4072303908	PHOTO COUPLE PC123Y52		4080632403	ZENER DIODE MM3Z 10B
D660	4072538102	DIODE RB215T-90	ZD1906	4072065618	ZENER DIODE UDZS-TE-1710B
D662	4072538102	DIODE RB215T-90		4080632403	ZENER DIODE MM3Z 10B
D663	4072625208	DIODE RB085T-90		4080632403	ZENER DIODE MM3Z 10B
D670	4080458508	DIODE RU3YX	<b>MISCELLANEOUS</b>		
	4080651107	DIODE RU3YX	SC1900	6450763502	SURGE-ABSORBER
D673	4080660505	DIODE RN1Z	SC1901	6450763502	SURGE-ABSORBER
D680	4072625208	DIODE RB085T-90	SC1902	6450763502	SURGE-ABSORBER
D6801	4080585105	DIODE LL4148	SW1900	6520014008	SWITCH, PUSH 1P-1TX1
D6802	4080585105	DIODE LL4148	SW1901	6520014008	SWITCH, PUSH 1P-1TX1
D6803	4080585105	DIODE LL4148	SW1902	6520014008	SWITCH, PUSH 1P-1TX1
D6804	4080585105	DIODE LL4148	SW1903	6520014008	SWITCH, PUSH 1P-1TX1
D6805	4072219615	ZENER DIODE UDZS27B-TE-17	SW1904	6520014008	SWITCH, PUSH 1P-1TX1
	4080641306	ZENER DIODE MM3Z 27B	SW1905	6520014008	SWITCH, PUSH 1P-1TX1
D6806	4072219615	ZENER DIODE UDZS27B-TE-17	SW1906	6520014008	SWITCH, PUSH 1P-1TX1
	4080641306	ZENER DIODE MM3Z 27B			
D6807	4072089713	ZD UDZS-TE-175.6B			
	4080629700	ZENER DIODE MM3Z5V6B			
D6808	4072312217	ZENER DIODE UDZS13B-TE-17			
	4080646707	ZENER DIODE MM3Z13B			
D682	4072217116	ZENER DIODE UDZS-TE-1712B			
	4080631802	ZENER DIODE MM3Z12B			
D690	4072537501	DIODE RB085T-60			
D691	4080585105	DIODE LL4148			
<b>MISCELLANEOUS</b>					
△ F601	4240067403	FUSE 250V 5A			
R603	4080563707	THERMISTOR NTPAD5R1LDNBO			
△ VA601	4072254309	VARISTOR ENE621D-14A			
	4072620609	VARISTOR MYG3-14K385			
<b>6103395449 ASSY,PWB, KEY, N5YV</b>					
<b>1AA0B10S2650B</b>					
<b>CAPACITOR</b>					
C1900	4040949800	CERAMIC	0.1U Z	25V	
	4031640214	CERAMIC	0.1U Z	25V	
<b>RESISTOR</b>					
R1900	4012563617	MT-GLAZE	15K JA	1/10W	
R1901	4012563617	MT-GLAZE	15K JA	1/10W	
R1902	4012560418	MT-GLAZE	12K JA	1/10W	
R1903	4012560111	MT-GLAZE	8.2K JA	1/10W	
R1904	4012567219	MT-GLAZE	18K JA	1/10W	
R1905	4012565314	MT-GLAZE	56K JA	1/10W	
R1906	4012560418	MT-GLAZE	12K JA	1/10W	
R1907	4012560111	MT-GLAZE	8.2K JA	1/10W	
R1908	4012567219	MT-GLAZE	18K JA	1/10W	
R1909	4011506011	MT-GLAZE	0.000 ZA	1/10W	
R1910	4011506011	MT-GLAZE	0.000 ZA	1/10W	
R1911	4011506011	MT-GLAZE	0.000 ZA	1/10W	

# Chassis Electrical Parts List

N5ZW

Product safety should be considered when a component replacement is made in any area of a receiver. Components indicated by a  $\Delta$  mark in this parts list and the circuit diagram show components whose value have special significance to product safety. It is particularly recommended that only parts specified on the following parts list be used for components replacement pointed out by the mark.

Note: Parts order must contain Chassis No., Part No., and descriptions. The main PCB unit will be supplied without tuner and flyback transformer. They should be ordered separately.

Ref. No.	Part No.	Description	Ref. No.	Part No.	Description
<p><b>NOTES:</b> Read description in the Capacitor and Resistor as follows:</p> <p><b>CAPACITOR</b> CERAMIC 100P K 50V</p> <div style="display: flex; align-items: center;"> <div style="border-left: 1px solid black; border-right: 1px solid black; border-bottom: 1px solid black; width: 100px; height: 100px; margin-right: 10px;"></div> <div> <p style="margin-left: 20px;">Rated Voltage</p> <p style="margin-left: 20px;">Tolerance Symbols: Less than 10pF A : Not specified B : <math>\pm 0.1\text{pF}</math> C : <math>\pm 0.25\text{pF}</math> D : <math>\pm 0.5\text{pF}</math> F : <math>\pm 1\text{pF}</math> G : <math>\pm 2\text{pF}</math> R : <math>\pm 0.25\text{-}0\text{pF}</math> S : <math>\pm 0\text{-}0.25\text{pF}</math> E : <math>+0\text{-}1\text{pF}</math></p> <p style="margin-left: 20px;">More than 10pF A : Not specified B : <math>\pm 0.1\%</math> C : <math>\pm 0.25\%</math> D : <math>\pm 0.5\%</math> F : <math>\pm 1\%</math> G : <math>\pm 2\%</math> H : <math>\pm 3\%</math> J : <math>\pm 5\%</math> K : <math>\pm 10\%</math> L : <math>\pm 15\%</math> M : <math>\pm 20\%</math> N : <math>\pm 30\%</math> P : <math>+100\text{-}0\%</math> Q : <math>+30\text{-}10\%</math> T : <math>+50\text{-}10\%</math> U : <math>+75\text{-}10\%</math> V : <math>+20\text{-}10\%</math> W : <math>+100\text{-}10\%</math> X : <math>+40\text{-}20\%</math> Y : <math>+150\text{-}10\%</math> Z : <math>+80\text{-}20\%</math></p> <p style="margin-left: 20px;">Rated value: P=pico farad, U=micro farad</p> </div> </div> <p>Material:</p> <ul style="list-style-type: none"> <li>CERAMIC..... Ceramic</li> <li>MT-PAPER..... Metallized Paper</li> <li>POLYESTER..... Polyester</li> <li>MT-POLYEST..... Metallized Polyester</li> <li>POLYPRO..... Polypropylene</li> <li>MT-POLYPRO..... Metallized Polypropylene</li> <li>COMPO FILM..... Composite film</li> <li>MT-COMPO..... Metallized Composite</li> <li>STYRENE..... Styrene</li> <li>TA-SOLID..... Tantalum Solid</li> <li>AL-SOLID..... Aluminium Solid</li> <li>ELECT..... Electrolytic</li> <li>NP-ELECT..... Non-polarised Electrolytic</li> <li>OS-SOLID..... Aluminium Solid with Organic Semiconductive Electrolytic</li> <li>DL-ELECT..... Double Layered Electrolytic</li> </ul> <p><b>RESISTOR</b> CARBON 4.7K J A 1/4W</p> <div style="display: flex; align-items: center;"> <div style="border-left: 1px solid black; border-right: 1px solid black; border-bottom: 1px solid black; width: 100px; height: 100px; margin-right: 10px;"></div> <div> <p style="margin-left: 20px;">Rated Wattage</p> <p style="margin-left: 20px;">Performance Symbols: A: General B: Non flammable Z: Low noise Other: Temperature coefficient</p> <p style="margin-left: 20px;">Tolerance Symbols: A: <math>\pm 0.05\%</math> B: <math>\pm 0.1\%</math> C: <math>\pm 0.25\%</math> D: <math>\pm 0.5\%</math> F: <math>\pm 1\%</math> G: <math>\pm 2\%</math> J: <math>\pm 5\%</math> K: <math>\pm 10\%</math> M: <math>\pm 20\%</math> P: <math>+5\text{-}15\%</math></p> <p style="margin-left: 20px;">Rated value, ohms: K: 1,000, M: 1,000,000</p> </div> </div> <p>Material:</p> <ul style="list-style-type: none"> <li>CARBON..... Carbon</li> <li>MT-FILM..... Metal Film</li> <li>OXIDE-MT..... Oxide Metal Film</li> <li>SOLID..... Composition</li> <li>MT-GLAZE..... Metal Glaze</li> <li>WIRE WOUND... Wire Wound</li> <li>CERAMIC RES... Ceramic</li> <li>FUSIBLE RES.... Fusible</li> </ul>			<p><b>OUT OF CIRCUIT BOARD</b></p> <p><b>LCD PANEL</b> <math>\Delta</math>EL901 6450962530 LCD(T420HW01 V2)</p> <p><b>MISCELLANEOUS</b></p> <ul style="list-style-type: none"> <li>SP901 6520025844 SPEAKER, 8</li> <li>SP902 6520025844 SPEAKER, 8</li> <li>SP903 6520025318 SPEAKER, 8</li> <li>W7300 6520025325 CORD 51PIN (LVDS)</li> <li><math>\Delta</math>W901 6450940354 CORD, POWER-2.23MK-VAR-2</li> </ul> <p><b>6103394664 ASSY,PWB, MAIN, N5ZW 1AA0B10S264BA</b></p> <p><b>TRANSISTOR</b></p> <ul style="list-style-type: none"> <li>Q001 4060214407 TR MMBTSC3928R</li> <li>4050144519 TR 2SC2412K T146 R</li> <li>4050144618 TR 2SC2412K T146 S</li> <li>4050158724 TR 2SC2812-L6-TB</li> <li>4050158922 TR 2SC2812-L7-TB</li> <li>4051631612 TR 2SC2812N-L6-TB0</li> <li>4051739813 TR 2SC3928A1R</li> <li>4051739912 TR 2SC3928A1S</li> <li>Q002 4060214407 TR MMBTSC3928R</li> <li>4050144519 TR 2SC2412K T146 R</li> <li>4050144618 TR 2SC2412K T146 S</li> <li>4050158724 TR 2SC2812-L6-TB</li> <li>4050158922 TR 2SC2812-L7-TB</li> <li>4051631612 TR 2SC2812N-L6-TB0</li> <li>4051739813 TR 2SC3928A1R</li> <li>4051739912 TR 2SC3928A1S</li> <li>Q003 4060214407 TR MMBTSC3928R</li> <li>4050144519 TR 2SC2412K T146 R</li> <li>4050144618 TR 2SC2412K T146 S</li> <li>4050158724 TR 2SC2812-L6-TB</li> <li>4050158922 TR 2SC2812-L7-TB</li> <li>4051631612 TR 2SC2812N-L6-TB0</li> <li>4051739813 TR 2SC3928A1R</li> <li>4051739912 TR 2SC3928A1S</li> <li>Q013 4060214407 TR MMBTSC3928R</li> <li>4050144519 TR 2SC2412K T146 R</li> <li>4050144618 TR 2SC2412K T146 S</li> <li>4050158724 TR 2SC2812-L6-TB</li> <li>4050158922 TR 2SC2812-L7-TB</li> <li>4051631612 TR 2SC2812N-L6-TB0</li> <li>4051739813 TR 2SC3928A1R</li> <li>4051739912 TR 2SC3928A1S</li> <li>Q014 4060214407 TR MMBTSC3928R</li> <li>4050144519 TR 2SC2412K T146 R</li> <li>4050144618 TR 2SC2412K T146 S</li> <li>4050158724 TR 2SC2812-L6-TB</li> <li>4050158922 TR 2SC2812-L7-TB</li> <li>4051631612 TR 2SC2812N-L6-TB0</li> <li>4051739813 TR 2SC3928A1R</li> <li>4051739912 TR 2SC3928A1S</li> </ul>		

Ref. No.	Part No.	Description	Ref. No.	Part No.	Description		
Q1000	4060214407	TR MMBTSC3928R	Q7204	4050158724	TR 2SC2812-L6-TB		
	4050144519	TR 2SC2412K T146 R		4050158922	TR 2SC2812-L7-TB		
	4050144618	TR 2SC2412K T146 S		4051631612	TR 2SC2812N-L6-TB0		
	4050158724	TR 2SC2812-L6-TB		4051739813	TR 2SC3928A1R		
	4050158922	TR 2SC2812-L7-TB		4051739912	TR 2SC3928A1S		
Q1001	4051631612	TR 2SC2812N-L6-TB0	Q7206	4052203115	TR ISA1235AC1E		
	4051739813	TR 2SC3928A1R		4052203016	TR ISA1235AC1F		
	4051739912	TR 2SC3928A1S		4060214308	TR MMBTSA1235F		
	4060214407	TR MMBTSC3928R		4051345925	TR 2SA1037AK-T146-R		
	4050144519	TR 2SC2412K T146 R		4051472215	TR 2SA1037AK-S-T146		
Q101	4050144618	TR 2SC2412K T146 S	Q7207	4051739615	TR 2SA1235A1E		
	4050158724	TR 2SC2812-L6-TB		4051739714	TR 2SA1235A1F		
	4050158922	TR 2SC2812-L7-TB		Q7208	4050458725	TR 2SK536	
	4051631612	TR 2SC2812N-L6-TB0			4050458725	TR 2SK536	
	4051739813	TR 2SC3928A1R			4060214407	TR MMBTSC3928R	
4051739912	TR 2SC3928A1S	4050144519	TR 2SC2412K T146 R				
4052203115	TR ISA1235AC1E	4050144618	TR 2SC2412K T146 S				
Q3000	4052203016	TR ISA1235AC1F	Q7208	4050158724	TR 2SC2812-L6-TB		
	4060214308	TR MMBTSA1235F		4050158922	TR 2SC2812-L7-TB		
	4051345925	TR 2SA1037AK-T146-R		4050158922	TR 2SC2812-L7-TB		
	4051472215	TR 2SA1037AK-S-T146		4051631612	TR 2SC2812N-L6-TB0		
	4051739615	TR 2SA1235A1E		4051739813	TR 2SC3928A1R		
Q3001	4051739714	TR 2SA1235A1F	Q7208	4051739912	TR 2SC3928A1S		
	Q3014	4050458725		TR 2SK536	Q7500	4052203115	TR ISA1235AC1E
		4050144519		TR 2SC2412K T146 R		4052203016	TR ISA1235AC1F
		4050144618		TR 2SC2412K T146 S		4060214308	TR MMBTSA1235F
		4050158724		TR 2SC2812-L6-TB		4051345925	TR 2SA1037AK-T146-R
4050158922		TR 2SC2812-L7-TB	4051472215	TR 2SA1037AK-S-T146			
Q700	4051631612	TR 2SC2812N-L6-TB0	Q7501	4051739615	TR 2SA1235A1E		
	4051739813	TR 2SC3928A1R		4051739714	TR 2SA1235A1F		
	4051739912	TR 2SC3928A1S		Q7502	4060214407	TR MMBTSC3928R	
	4060214407	TR MMBTSC3928R			4050144519	TR 2SC2412K T146 R	
	4050144519	TR 2SC2412K T146 R			4050144618	TR 2SC2412K T146 S	
4050144618	TR 2SC2412K T146 S	4050158724	TR 2SC2812-L6-TB				
4050158724	TR 2SC2812-L6-TB	4050158922	TR 2SC2812-L7-TB				
Q701	4051631612	TR 2SC2812N-L6-TB0	Q7501	4051631612	TR 2SC2812N-L6-TB0		
	4051739813	TR 2SC3928A1R		4051739813	TR 2SC3928A1R		
	4051739912	TR 2SC3928A1S		4051739912	TR 2SC3928A1S		
	4060214407	TR MMBTSC3928R		4060214407	TR MMBTSC3928R		
	4050144519	TR 2SC2412K T146 R		4050144519	TR 2SC2412K T146 R		
Q7200	4050144618	TR 2SC2412K T146 S	Q8000	4050144618	TR 2SC2412K T146 S		
	4050158724	TR 2SC2812-L6-TB		4050158724	TR 2SC2812-L6-TB		
	4050158922	TR 2SC2812-L7-TB		4050158922	TR 2SC2812-L7-TB		
	4051631612	TR 2SC2812N-L6-TB0		4051631612	TR 2SC2812N-L6-TB0		
	4051739813	TR 2SC3928A1R		4051739813	TR 2SC3928A1R		
Q7201	4051739912	TR 2SC3928A1S	Q8001	4051739912	TR 2SC3928A1S		
	4060214407	TR MMBTSC3928R		4052027711	TR TPC8109		
	4050144519	TR 2SC2412K T146 R		4060214407	TR MMBTSC3928R		
	4050144618	TR 2SC2412K T146 S		4050144519	TR 2SC2412K T146 R		
	4050158724	TR 2SC2812-L6-TB		4050144618	TR 2SC2412K T146 S		
Q7202	4050158922	TR 2SC2812-L7-TB	Q8001	4050158724	TR 2SC2812-L6-TB		
	4051631612	TR 2SC2812N-L6-TB0		4050158922	TR 2SC2812-L7-TB		
	4051739813	TR 2SC3928A1R		4051631612	TR 2SC2812N-L6-TB0		
	4051739912	TR 2SC3928A1S		4051739813	TR 2SC3928A1R		
	4052203115	TR ISA1235AC1E		4051739912	TR 2SC3928A1S		
Q7202	4052203016	TR ISA1235AC1F	Q8001	4060214407	TR MMBTSC3928R		
	4060214308	TR MMBTSA1235F		4050144519	TR 2SC2412K T146 R		
	4051345925	TR 2SA1037AK-T146-R		4050144618	TR 2SC2412K T146 S		
	4051472215	TR 2SA1037AK-S-T146		4050158724	TR 2SC2812-L6-TB		
	4051739615	TR 2SA1235A1E		4050158922	TR 2SC2812-L7-TB		
Q7202	4051739714	TR 2SA1235A1F	Q8001	4050158724	TR 2SC2812-L6-TB		
	4060214407	TR MMBTSC3928R		4050158922	TR 2SC2812-L7-TB		
	4050144519	TR 2SC2412K T146 R		4051631612	TR 2SC2812N-L6-TB0		
	4050144618	TR 2SC2412K T146 S		4051739813	TR 2SC3928A1R		

Ref. No.	Part No.	Description	Ref. No.	Part No.	Description
Q8002	4051739912	TR 2SC3928A1S	C022	4032569316	CERAMIC 0.47U Z 50V
	4060214407	TR MMBTSC3928R	C024	4041044900	CERAMIC 0.1U K 50V
	4050144519	TR 2SC2412K T146 R		4040912606	CERAMIC 0.1U K 50V
	4050144618	TR 2SC2412K T146 S		4033670417	CERAMIC 0.1U K 50V
	4050158724	TR 2SC2812-L6-TB	C025	4040985907	ELECT 10U M 50V
	4050158922	TR 2SC2812-L7-TB		4034028316	ELECT 10U M 50V
	4051631612	TR 2SC2812N-L6-TB0	C026	4034502212	CERAMIC 0.22U K 25V
	4051739813	TR 2SC3928A1R	C027	4032569316	CERAMIC 0.47U Z 50V
	4051739912	TR 2SC3928A1S	C028	4041095506	ELECT 1000U M 35V
				4040980506	ELECT 1000U M 35V
<b>INTEGRATED CIRCUIT</b>			C029	4040954200	CERAMIC 0.01U Z 50V
IC001	4096910413	IC TPA3123D2PWPR	C030	4041036608	CERAMIC 0.22U K 16V
IC002	4096910413	IC TPA3123D2PWPR		4032812412	CERAMIC 0.22U K 16V
IC003	4096910314	IC TPA6110A2DGNR	C031	4032070317	CERAMIC 1U Z 16V
IC1501	4094620324	IC 24LC21AT/SN		4032789615	CERAMIC 1U Z 16V
IC3000	4096907710	IC AP8302-LQ-L	C032	4033841411	ELECT 47U M 16V
IC3100	4090397814	IC NJM4558M-TE2	C033	4034031019	ELECT 100U M 25V
IC3101	4090397814	IC NJM4558M-TE2	C034	4034031019	ELECT 100U M 25V
IC700	4096907819	IC CM2021-02TR	C035	4032070317	CERAMIC 1U Z 16V
IC701	4095587210	IC 24C02CT-I/SNG		4032789615	CERAMIC 1U Z 16V
IC702	4096907819	IC CM2021-02TR	C037	4041044900	CERAMIC 0.1U K 50V
IC703	4095587210	IC 24C02CT-I/SNG		4040912606	CERAMIC 0.1U K 50V
IC7200	4106620209	IC MST6E89DL-LF		4033670417	CERAMIC 0.1U K 50V
IC7400	4106506909	IC HY5DU281622FTP-4-C	C038	4032569316	CERAMIC 0.47U Z 50V
IC7501	4095599015	IC AMS1117-3.3	C055	4033987515	ELECT 100U M 35V
	4096836515	IC LM1117S-3.3	C056	4041034505	CERAMIC 0.1U K 16V
IC7503	4095599015	IC AMS1117-3.3		4040950509	CERAMIC 0.1U K 16V
	4096836515	IC LM1117S-3.3		4032989619	CERAMIC 0.1U K 16V
IC7504	4096552415	IC AMS1085CM	C057	4033987515	ELECT 100U M 35V
	4096894416	IC LM1085R-ADJ	C058	4041034505	CERAMIC 0.1U K 16V
IC7505	4095598919	IC AMS1117-2.5		4040950509	CERAMIC 0.1U K 16V
IC8000	4106621008	IC W25X80VSSIG-N5ZW		4032989619	CERAMIC 0.1U K 16V
IC8000A	4106385603	IC W25X80VSSIG	C1002	4034030715	ELECT 220U M 16V
IC8001	4106489905	IC 24LC64T-I/SNG-N5CV	C1005	4040940104	ELECT 10U M 16V
<b>CAPACITOR</b>				4033831313	ELECT 10U M 16V
C001	4041084203	ELECT 470U M 35V	C1008	4040940104	ELECT 10U M 16V
C002	4041084203	ELECT 470U M 35V		4033831313	ELECT 10U M 16V
C003	4032569316	CERAMIC 0.47U Z 50V	C1009	4033238815	CERAMIC 2.2U Z 16V
C004	4032070317	CERAMIC 1U Z 16V	C101	4041034505	CERAMIC 0.1U K 16V
	4032789615	CERAMIC 1U Z 16V		4040950509	CERAMIC 0.1U K 16V
C005	4032070317	CERAMIC 1U Z 16V		4032989619	CERAMIC 0.1U K 16V
	4032789615	CERAMIC 1U Z 16V	C1010	4040940104	ELECT 10U M 16V
C006	4032070317	CERAMIC 1U Z 16V		4033831313	ELECT 10U M 16V
	4032789615	CERAMIC 1U Z 16V	C1011	4041034505	CERAMIC 0.1U K 16V
C007	4032569316	CERAMIC 0.47U Z 50V		4040950509	CERAMIC 0.1U K 16V
C008	4032070317	CERAMIC 1U Z 16V		4032989619	CERAMIC 0.1U K 16V
	4032789615	CERAMIC 1U Z 16V	C1012	4033238815	CERAMIC 2.2U Z 16V
C009	4041097302	ELECT 470U M 50V	C1013	4040940104	ELECT 10U M 16V
C010	4034502212	CERAMIC 0.22U K 25V		4033831313	ELECT 10U M 16V
C011	4040985907	ELECT 10U M 50V	C1014	4041034505	CERAMIC 0.1U K 16V
	4034028316	ELECT 10U M 50V		4040950509	CERAMIC 0.1U K 16V
C012	4041044900	CERAMIC 0.1U K 50V		4032989619	CERAMIC 0.1U K 16V
	4040912606	CERAMIC 0.1U K 50V	C102	4033860917	ELECT 100U M 16V
	4033670417	CERAMIC 0.1U K 50V	C1021	4041038206	CERAMIC 10P J 50V
C013	4032569316	CERAMIC 0.47U Z 50V		4040946304	CERAMIC 10P J 50V
C014	4032569316	CERAMIC 0.47U Z 50V	C1024	4041038206	CERAMIC 10P J 50V
C015	4034502212	CERAMIC 0.22U K 25V		4040946304	CERAMIC 10P J 50V
C016	4041097302	ELECT 470U M 50V	C1027	4011506011	MT-GLAZE 0.000 ZA 1/10W
C017	4041084203	ELECT 470U M 35V	C103	4041044603	CERAMIC 68P J 50V
C018	4041084203	ELECT 470U M 35V		4040949008	CERAMIC 68P J 50V
C019	4032070317	CERAMIC 1U Z 16V		4031573314	CERAMIC 68P J 50V
	4032789615	CERAMIC 1U Z 16V	C1033	4011506011	MT-GLAZE 0.000 ZA 1/10W
C020	4032070317	CERAMIC 1U Z 16V	C104	4041044603	CERAMIC 68P J 50V
	4032789615	CERAMIC 1U Z 16V		4040949008	CERAMIC 68P J 50V
C021	4032070317	CERAMIC 1U Z 16V		4031573314	CERAMIC 68P J 50V
	4032789615	CERAMIC 1U Z 16V	C105	4034033617	NP-ELECT 22U M 16V
				4033978711	NP-ELECT 22U M 16V

Ref. No.	Part No.	Description	Ref. No.	Part No.	Description
C111	4040940104	ELECT 10U M 16V		4040912606	CERAMIC 0.1U K 50V
	4033831313	ELECT 10U M 16V		4033670417	CERAMIC 0.1U K 50V
C112	4041034505	CERAMIC 0.1U K 16V	C3012	4041032907	CERAMIC 0.01U K 50V
	4040950509	CERAMIC 0.1U K 16V		4040901204	CERAMIC 0.01U K 50V
	4032989619	CERAMIC 0.1U K 16V		4032152211	CERAMIC 0.01U K 50V
C120	4033860917	ELECT 100U M 16V	C3013	4041044900	CERAMIC 0.1U K 50V
C121	4041034505	CERAMIC 0.1U K 16V		4040912606	CERAMIC 0.1U K 50V
	4040950509	CERAMIC 0.1U K 16V		4033670417	CERAMIC 0.1U K 50V
	4032989619	CERAMIC 0.1U K 16V	C3014	4041032907	CERAMIC 0.01U K 50V
C122	4033860917	ELECT 100U M 16V		4040901204	CERAMIC 0.01U K 50V
C123	4041034505	CERAMIC 0.1U K 16V		4032152211	CERAMIC 0.01U K 50V
	4040950509	CERAMIC 0.1U K 16V	C3015	4040940104	ELECT 10U M 16V
	4032989619	CERAMIC 0.1U K 16V		4033831313	ELECT 10U M 16V
C124	4041034505	CERAMIC 0.1U K 16V	C3016	4040940104	ELECT 10U M 16V
	4040950509	CERAMIC 0.1U K 16V		4033831313	ELECT 10U M 16V
	4032989619	CERAMIC 0.1U K 16V	C3017	4041045303	CERAMIC 0.015U K 50V
C1500	4041034505	CERAMIC 0.1U K 16V		4040912903	CERAMIC 0.015U K 50V
	4040950509	CERAMIC 0.1U K 16V		4032152419	CERAMIC 0.015U K 50V
	4032989619	CERAMIC 0.1U K 16V	C3018	4041045501	CERAMIC 0.018U K 50V
C1501	4041040209	CERAMIC 100P J 50V		4040913108	CERAMIC 0.018U K 50V
	4040946403	CERAMIC 100P J 50V		4032725811	CERAMIC 0.018U K 50V
C1502	4041040209	CERAMIC 100P J 50V	C3019	4041032907	CERAMIC 0.01U K 50V
	4040946403	CERAMIC 100P J 50V		4040901204	CERAMIC 0.01U K 50V
C1520TM	4041084104	ELECT 100U M 16V		4032152211	CERAMIC 0.01U K 50V
C1725	4041038206	CERAMIC 10P J 50V	C3020	4041045501	CERAMIC 0.018U K 50V
	4040946304	CERAMIC 10P J 50V		4040913108	CERAMIC 0.018U K 50V
C1727	4041038206	CERAMIC 10P J 50V		4032725811	CERAMIC 0.018U K 50V
	4040946304	CERAMIC 10P J 50V	C3021	4041032907	CERAMIC 0.01U K 50V
C1729	4041038206	CERAMIC 10P J 50V		4040901204	CERAMIC 0.01U K 50V
	4040946304	CERAMIC 10P J 50V		4032152211	CERAMIC 0.01U K 50V
C1731	4041038206	CERAMIC 10P J 50V	C3022	4041045303	CERAMIC 0.015U K 50V
	4040946304	CERAMIC 10P J 50V		4040912903	CERAMIC 0.015U K 50V
C1732	4041038206	CERAMIC 10P J 50V		4032152419	CERAMIC 0.015U K 50V
	4040946304	CERAMIC 10P J 50V	C3023	4040940104	ELECT 10U M 16V
C3000	4041036707	CERAMIC 0.47U K 16V		4033831313	ELECT 10U M 16V
	4041109807	CERAMIC 0.47U K 16V	C3024	4041036707	CERAMIC 0.47U K 16V
	4033363517	CERAMIC 0.47U K 16V		4041109807	CERAMIC 0.47U K 16V
C3001	4041036707	CERAMIC 0.47U K 16V		4033363517	CERAMIC 0.47U K 16V
	4041109807	CERAMIC 0.47U K 16V	C3025	4041036707	CERAMIC 0.47U K 16V
	4033363517	CERAMIC 0.47U K 16V		4041109807	CERAMIC 0.47U K 16V
C3002	4041044900	CERAMIC 0.1U K 50V		4033363517	CERAMIC 0.47U K 16V
	4040912606	CERAMIC 0.1U K 50V	C3026	4040940104	ELECT 10U M 16V
	4033670417	CERAMIC 0.1U K 50V		4033831313	ELECT 10U M 16V
C3003	4041032907	CERAMIC 0.01U K 50V	C3027	4041044900	CERAMIC 0.1U K 50V
	4040901204	CERAMIC 0.01U K 50V		4040912606	CERAMIC 0.1U K 50V
	4032152211	CERAMIC 0.01U K 50V		4033670417	CERAMIC 0.1U K 50V
C3004	4041044900	CERAMIC 0.1U K 50V	C3028	4040940104	ELECT 10U M 16V
	4040912606	CERAMIC 0.1U K 50V		4033831313	ELECT 10U M 16V
	4033670417	CERAMIC 0.1U K 50V	C3029	4040940104	ELECT 10U M 16V
C3005	4041032907	CERAMIC 0.01U K 50V		4033831313	ELECT 10U M 16V
	4040901204	CERAMIC 0.01U K 50V	C3030	4040940104	ELECT 10U M 16V
	4032152211	CERAMIC 0.01U K 50V		4033831313	ELECT 10U M 16V
C3006	4041044900	CERAMIC 0.1U K 50V	C3031	4041045709	CERAMIC 2200U K 50V
	4040912606	CERAMIC 0.1U K 50V		4040913306	CERAMIC 2200P K 50V
	4033670417	CERAMIC 0.1U K 50V		4031134119	CERAMIC 2200P K 50V
C3007	4041032907	CERAMIC 0.01U K 50V	C3032	4041032907	CERAMIC 0.01U K 50V
	4040901204	CERAMIC 0.01U K 50V		4040901204	CERAMIC 0.01U K 50V
	4032152211	CERAMIC 0.01U K 50V		4032152211	CERAMIC 0.01U K 50V
C3008	4041044900	CERAMIC 0.1U K 50V	C3033	4040940104	ELECT 10U M 16V
	4040912606	CERAMIC 0.1U K 50V		4033831313	ELECT 10U M 16V
	4033670417	CERAMIC 0.1U K 50V	C3034	4040940104	ELECT 10U M 16V
C3009	4041032907	CERAMIC 0.01U K 50V		4033831313	ELECT 10U M 16V
	4040901204	CERAMIC 0.01U K 50V	C3035	4041036707	CERAMIC 0.47U K 16V
	4032152211	CERAMIC 0.01U K 50V		4033363517	CERAMIC 0.47U K 16V
C3010	4040940104	ELECT 10U M 16V	C3036	4041046102	CERAMIC 3300P K 50V
	4033831313	ELECT 10U M 16V		4040913900	CERAMIC 3300P K 50V
C3011	4041044900	CERAMIC 0.1U K 50V		4031552210	CERAMIC 3300P K 50V

Ref. No.	Part No.	Description	Ref. No.	Part No.	Description
C3037	4041045709	CERAMIC 2200U K 50V	C7202	4041034505	CERAMIC 0.1U K 16V
	4040913306	CERAMIC 2200P K 50V		4040950509	CERAMIC 0.1U K 16V
	4031134119	CERAMIC 2200P K 50V		4032989619	CERAMIC 0.1U K 16V
C3038	4041036608	CERAMIC 0.22U K 16V	C7204	4041040308	CERAMIC 1000P J 50V
	4032812412	CERAMIC 0.22U K 16V		4040946502	CERAMIC 1000P J 50V
C3039	4041036301	CERAMIC 0.33U K 16V		4032653213	CERAMIC 1000P J 50V
	4034015712	CERAMIC 0.33U K 16V	C7205	4041046706	CERAMIC 0.047U K 50V
C3041	4040940104	ELECT 10U M 16V		4040914501	CERAMIC 0.047U K 50V
	4033831313	ELECT 10U M 16V	C7206	4041046706	CERAMIC 0.047U K 50V
C3042	4040940104	ELECT 10U M 16V		4040914501	CERAMIC 0.047U K 50V
	4033831313	ELECT 10U M 16V	C7207	4041046706	CERAMIC 0.047U K 50V
C3100	4041040209	CERAMIC 100P J 50V		4040914501	CERAMIC 0.047U K 50V
	4040946403	CERAMIC 100P J 50V	C7208	4041034505	CERAMIC 0.1U K 16V
C3101	4041032402	CERAMIC 1000P K 50V		4040950509	CERAMIC 0.1U K 16V
	4040901105	CERAMIC 1000P K 50V		4032989619	CERAMIC 0.1U K 16V
C3102	4033238815	CERAMIC 2.2U Z 16V	C7209	4041034505	CERAMIC 0.1U K 16V
C3103	4041032402	CERAMIC 1000P K 50V		4040950509	CERAMIC 0.1U K 16V
	4040901105	CERAMIC 1000P K 50V		4032989619	CERAMIC 0.1U K 16V
C3104	4041040209	CERAMIC 100P J 50V	C7210	4041040308	CERAMIC 1000P J 50V
	4040946403	CERAMIC 100P J 50V		4040946502	CERAMIC 1000P J 50V
C3105	4033238815	CERAMIC 2.2U Z 16V		4032653213	CERAMIC 1000P J 50V
C3106	4033860917	ELECT 100U M 16V	C7211	4041034505	CERAMIC 0.1U K 16V
C3107	4041034505	CERAMIC 0.1U K 16V		4040950509	CERAMIC 0.1U K 16V
	4040950509	CERAMIC 0.1U K 16V		4032989619	CERAMIC 0.1U K 16V
	4032989619	CERAMIC 0.1U K 16V	C7212	4041040308	CERAMIC 1000P J 50V
C3108	4033860917	ELECT 100U M 16V		4040946502	CERAMIC 1000P J 50V
C3109	4041040209	CERAMIC 100P J 50V		4032653213	CERAMIC 1000P J 50V
	4040946403	CERAMIC 100P J 50V	C7213	4041034505	CERAMIC 0.1U K 16V
C3110	4033238815	CERAMIC 2.2U Z 16V		4040950509	CERAMIC 0.1U K 16V
C3111	4041032402	CERAMIC 1000P K 50V		4032989619	CERAMIC 0.1U K 16V
	4040901105	CERAMIC 1000P K 50V	C7214	4041034505	CERAMIC 0.1U K 16V
C3112	4041045709	CERAMIC 2200U K 50V		4040950509	CERAMIC 0.1U K 16V
	4040913306	CERAMIC 2200P K 50V		4032989619	CERAMIC 0.1U K 16V
	4031134119	CERAMIC 2200P K 50V	C7215	4041046706	CERAMIC 0.047U K 50V
C3113	4041045709	CERAMIC 2200U K 50V		4040914501	CERAMIC 0.047U K 50V
	4040913306	CERAMIC 2200P K 50V	C7216	4041046706	CERAMIC 0.047U K 50V
	4031134119	CERAMIC 2200P K 50V		4040914501	CERAMIC 0.047U K 50V
C3114	4041045709	CERAMIC 2200U K 50V	C7217	4041046706	CERAMIC 0.047U K 50V
	4040913306	CERAMIC 2200P K 50V		4040914501	CERAMIC 0.047U K 50V
	4031134119	CERAMIC 2200P K 50V	C7218	4041046706	CERAMIC 0.047U K 50V
C3115	4032070317	CERAMIC 1U Z 16V		4040914501	CERAMIC 0.047U K 50V
	4032789615	CERAMIC 1U Z 16V	C7219	4041046706	CERAMIC 0.047U K 50V
C3116	4041045709	CERAMIC 2200U K 50V		4040914501	CERAMIC 0.047U K 50V
	4040913306	CERAMIC 2200P K 50V	C7220	4041046706	CERAMIC 0.047U K 50V
	4031134119	CERAMIC 2200P K 50V		4040914501	CERAMIC 0.047U K 50V
C400	4033860917	ELECT 100U M 16V	C7221	4041046706	CERAMIC 0.047U K 50V
C402	4041034505	CERAMIC 0.1U K 16V		4040914501	CERAMIC 0.047U K 50V
	4040950509	CERAMIC 0.1U K 16V	C7222	4041034505	CERAMIC 0.1U K 16V
	4032989619	CERAMIC 0.1U K 16V		4040950509	CERAMIC 0.1U K 16V
C403	4033860917	ELECT 100U M 16V		4032989619	CERAMIC 0.1U K 16V
C405	4041034505	CERAMIC 0.1U K 16V	C7223	4040940104	ELECT 10U M 16V
	4040950509	CERAMIC 0.1U K 16V		4033831313	ELECT 10U M 16V
	4032989619	CERAMIC 0.1U K 16V	C7224	4041034505	CERAMIC 0.1U K 16V
C700	4040940104	ELECT 10U M 16V		4040950509	CERAMIC 0.1U K 16V
	4033831313	ELECT 10U M 16V		4032989619	CERAMIC 0.1U K 16V
C701	4041034505	CERAMIC 0.1U K 16V	C7225	4041034505	CERAMIC 0.1U K 16V
	4040950509	CERAMIC 0.1U K 16V		4040950509	CERAMIC 0.1U K 16V
	4032989619	CERAMIC 0.1U K 16V		4032989619	CERAMIC 0.1U K 16V
C705	4041034505	CERAMIC 0.1U K 16V	C7226	4040940104	ELECT 10U M 16V
	4040950509	CERAMIC 0.1U K 16V		4033915518	ELECT 10U M 16V
	4032989619	CERAMIC 0.1U K 16V	C7227	4041034505	CERAMIC 0.1U K 16V
C7200	4041034505	CERAMIC 0.1U K 16V		4040950509	CERAMIC 0.1U K 16V
	4040950509	CERAMIC 0.1U K 16V		4032989619	CERAMIC 0.1U K 16V
	4032989619	CERAMIC 0.1U K 16V	C7228	4034032719	ELECT 4.7U M 35V
C7201	4041034505	CERAMIC 0.1U K 16V	C7229	4040949701	CERAMIC 1U Z 10V
	4040950509	CERAMIC 0.1U K 16V	C7232	4041034505	CERAMIC 0.1U K 16V
	4032989619	CERAMIC 0.1U K 16V		4040950509	CERAMIC 0.1U K 16V



Ref. No.	Part No.	Description	Ref. No.	Part No.	Description
	4032989619	CERAMIC 0.1U K 16V		4040950509	CERAMIC 0.1U K 16V
C7233	4041034505	CERAMIC 0.1U K 16V		4032989619	CERAMIC 0.1U K 16V
	4040950509	CERAMIC 0.1U K 16V	C7508	4041034505	CERAMIC 0.1U K 16V
	4032989619	CERAMIC 0.1U K 16V		4040950509	CERAMIC 0.1U K 16V
C725	4041034505	CERAMIC 0.1U K 16V		4032989619	CERAMIC 0.1U K 16V
	4040950509	CERAMIC 0.1U K 16V	C7509	4033841411	ELECT 47U M 16V
	4032989619	CERAMIC 0.1U K 16V	C7510	4033860917	ELECT 100U M 16V
C7255	4041044900	CERAMIC 0.1U K 50V	C7511	4041034505	CERAMIC 0.1U K 16V
	4040912606	CERAMIC 0.1U K 50V		4040950509	CERAMIC 0.1U K 16V
	4033670417	CERAMIC 0.1U K 50V		4032989619	CERAMIC 0.1U K 16V
C7330	4033238815	CERAMIC 2.2U Z 16V	C7514	4034030319	ELECT 220U M 10V
C7331	4033238815	CERAMIC 2.2U Z 16V	C7515	4033156812	CERAMIC 4.7U Z 16V
C7332	4033238815	CERAMIC 2.2U Z 16V	C7516	4033940916	ELECT 22U M 6.3V
C7333	4033238815	CERAMIC 2.2U Z 16V	C7517	4041034505	CERAMIC 0.1U K 16V
C7334	4041034505	CERAMIC 0.1U K 16V		4040950509	CERAMIC 0.1U K 16V
	4040950509	CERAMIC 0.1U K 16V		4032989619	CERAMIC 0.1U K 16V
	4032989619	CERAMIC 0.1U K 16V	C7518	4041034505	CERAMIC 0.1U K 16V
C7335	4033238815	CERAMIC 2.2U Z 16V		4040950509	CERAMIC 0.1U K 16V
C7336	4033238815	CERAMIC 2.2U Z 16V		4032989619	CERAMIC 0.1U K 16V
C7337	4040944300	CERAMIC 2200P Z 50V	C7519	4033841411	ELECT 47U M 16V
C7338	4040944300	CERAMIC 2200P Z 50V	C752	4040940104	ELECT 10U M 16V
C7339	4040944300	CERAMIC 2200P Z 50V		4033831313	ELECT 10U M 16V
C7340	4040944300	CERAMIC 2200P Z 50V	C7520	4040940104	ELECT 10U M 16V
C7341	4041040209	CERAMIC 100P J 50V		4033831313	ELECT 10U M 16V
	4040946403	CERAMIC 100P J 50V	C7521	4041034505	CERAMIC 0.1U K 16V
C7342	4041040209	CERAMIC 100P J 50V		4040950509	CERAMIC 0.1U K 16V
	4040946403	CERAMIC 100P J 50V		4032989619	CERAMIC 0.1U K 16V
C7343	4041040209	CERAMIC 100P J 50V	C7522	4041034505	CERAMIC 0.1U K 16V
	4040946403	CERAMIC 100P J 50V		4040950509	CERAMIC 0.1U K 16V
C7344	4041036707	CERAMIC 0.47U K 16V		4032989619	CERAMIC 0.1U K 16V
	4041109807	CERAMIC 0.47U K 16V	C7524	4041034505	CERAMIC 0.1U K 16V
	4033363517	CERAMIC 0.47U K 16V		4040950509	CERAMIC 0.1U K 16V
C7345	4041038206	CERAMIC 10P J 50V		4032989619	CERAMIC 0.1U K 16V
	4040946304	CERAMIC 10P J 50V	C753	4041034505	CERAMIC 0.1U K 16V
C7346	4041038206	CERAMIC 10P J 50V		4040950509	CERAMIC 0.1U K 16V
	4040946304	CERAMIC 10P J 50V		4032989619	CERAMIC 0.1U K 16V
C7347	4041040308	CERAMIC 1000P J 50V	C7533	4041034505	CERAMIC 0.1U K 16V
	4040946502	CERAMIC 1000P J 50V		4040950509	CERAMIC 0.1U K 16V
C7347	4032653213	CERAMIC 1000P J 50V		4032989619	CERAMIC 0.1U K 16V
C7348	4033841411	ELECT 47U M 16V	C7534	4041034505	CERAMIC 0.1U K 16V
C7349	4040940104	ELECT 10U M 16V		4040950509	CERAMIC 0.1U K 16V
	4033831313	ELECT 10U M 16V		4032989619	CERAMIC 0.1U K 16V
C7351	4041045709	CERAMIC 2200U K 50V	C7535	4041034505	CERAMIC 0.1U K 16V
	4040913306	CERAMIC 2200P K 50V		4040950509	CERAMIC 0.1U K 16V
C7352	4033238815	CERAMIC 2.2U Z 16V		4032989619	CERAMIC 0.1U K 16V
C7353	4033238815	CERAMIC 2.2U Z 16V	C7536	4041034505	CERAMIC 0.1U K 16V
C741	4041034505	CERAMIC 0.1U K 16V		4040950509	CERAMIC 0.1U K 16V
	4040950509	CERAMIC 0.1U K 16V		4032989619	CERAMIC 0.1U K 16V
	4032989619	CERAMIC 0.1U K 16V	C7537	4041032907	CERAMIC 0.01U K 50V
C742	4041034505	CERAMIC 0.1U K 16V		4040901204	CERAMIC 0.01U K 50V
	4040950509	CERAMIC 0.1U K 16V		4032152211	CERAMIC 0.01U K 50V
	4032989619	CERAMIC 0.1U K 16V	C7538	4041032907	CERAMIC 0.01U K 50V
C7500	4033860917	ELECT 100U M 16V		4040901204	CERAMIC 0.01U K 50V
C7501	4041034505	CERAMIC 0.1U K 16V		4032152211	CERAMIC 0.01U K 50V
	4040950509	CERAMIC 0.1U K 16V	C7539	4041032907	CERAMIC 0.01U K 50V
	4032989619	CERAMIC 0.1U K 16V		4040901204	CERAMIC 0.01U K 50V
C7502	4041034505	CERAMIC 0.1U K 16V		4032152211	CERAMIC 0.01U K 50V
	4040950509	CERAMIC 0.1U K 16V	C7540	4041034505	CERAMIC 0.1U K 16V
	4032989619	CERAMIC 0.1U K 16V		4040950509	CERAMIC 0.1U K 16V
C7503	4033860917	ELECT 100U M 16V		4032989619	CERAMIC 0.1U K 16V
C7504	4033712315	ELECT 470U M 16V	C7541	4041040308	CERAMIC 1000P J 50V
	4033781618	ELECT 470U M 16V		4040946502	CERAMIC 1000P J 50V
C7505	4041034505	CERAMIC 0.1U K 16V		4032653213	CERAMIC 1000P J 50V
	4040950509	CERAMIC 0.1U K 16V	C7542	4041040308	CERAMIC 1000P J 50V
	4032989619	CERAMIC 0.1U K 16V		4040946502	CERAMIC 1000P J 50V
C7506	4033860917	ELECT 100U M 16V		4032653213	CERAMIC 1000P J 50V
C7507	4041034505	CERAMIC 0.1U K 16V	C7543	4041034505	CERAMIC 0.1U K 16V

Ref. No.	Part No.	Description	Ref. No.	Part No.	Description
	4040950509	CERAMIC 0.1U K 16V	C7570	4041034505	CERAMIC 0.1U K 16V
	4032989619	CERAMIC 0.1U K 16V		4040950509	CERAMIC 0.1U K 16V
C7544	4040940104	ELECT 10U M 16V		4032989619	CERAMIC 0.1U K 16V
	4033831313	ELECT 10U M 16V	C7571	4041034505	CERAMIC 0.1U K 16V
C7545	4041034505	CERAMIC 0.1U K 16V		4040950509	CERAMIC 0.1U K 16V
	4040950509	CERAMIC 0.1U K 16V		4032989619	CERAMIC 0.1U K 16V
	4032989619	CERAMIC 0.1U K 16V	C7572	4041034505	CERAMIC 0.1U K 16V
C7546	4041034505	CERAMIC 0.1U K 16V		4040950509	CERAMIC 0.1U K 16V
	4040950509	CERAMIC 0.1U K 16V		4032989619	CERAMIC 0.1U K 16V
	4032989619	CERAMIC 0.1U K 16V	C7573	4041034505	CERAMIC 0.1U K 16V
C7547	4040940104	ELECT 10U M 16V		4040950509	CERAMIC 0.1U K 16V
	4033831313	ELECT 10U M 16V		4032989619	CERAMIC 0.1U K 16V
C7548	4041034505	CERAMIC 0.1U K 16V	C7574	4041034505	CERAMIC 0.1U K 16V
	4040950509	CERAMIC 0.1U K 16V		4040950509	CERAMIC 0.1U K 16V
	4032989619	CERAMIC 0.1U K 16V		4032989619	CERAMIC 0.1U K 16V
C7549	4041034505	CERAMIC 0.1U K 16V	C7575	4040940104	ELECT 10U M 16V
	4040950509	CERAMIC 0.1U K 16V		4033831313	ELECT 10U M 16V
	4032989619	CERAMIC 0.1U K 16V	C7576	4041034505	CERAMIC 0.1U K 16V
C7550	4041034505	CERAMIC 0.1U K 16V		4040950509	CERAMIC 0.1U K 16V
	4040950509	CERAMIC 0.1U K 16V		4032989619	CERAMIC 0.1U K 16V
	4032989619	CERAMIC 0.1U K 16V	C7577	4041034505	CERAMIC 0.1U K 16V
C7551	4041034505	CERAMIC 0.1U K 16V		4040950509	CERAMIC 0.1U K 16V
	4040950509	CERAMIC 0.1U K 16V		4032989619	CERAMIC 0.1U K 16V
	4032989619	CERAMIC 0.1U K 16V	C7578	4041034505	CERAMIC 0.1U K 16V
C7552	4040940104	ELECT 10U M 16V		4040950509	CERAMIC 0.1U K 16V
	4033831313	ELECT 10U M 16V		4032989619	CERAMIC 0.1U K 16V
C7553	4041034505	CERAMIC 0.1U K 16V	C7579	4041034505	CERAMIC 0.1U K 16V
	4040950509	CERAMIC 0.1U K 16V		4040950509	CERAMIC 0.1U K 16V
	4032989619	CERAMIC 0.1U K 16V		4032989619	CERAMIC 0.1U K 16V
C7554	4040950509	CERAMIC 0.1U K 16V	C7580	4041034505	CERAMIC 0.1U K 16V
	4032989619	CERAMIC 0.1U K 16V		4040950509	CERAMIC 0.1U K 16V
C7555	4040950509	CERAMIC 0.1U K 16V		4032989619	CERAMIC 0.1U K 16V
	4032989619	CERAMIC 0.1U K 16V	C7802	4040940104	ELECT 10U M 16V
C7556	4040950509	CERAMIC 0.1U K 16V		4033831313	ELECT 10U M 16V
	4032989619	CERAMIC 0.1U K 16V	C7803	4041034505	CERAMIC 0.1U K 16V
C7557	4040950509	CERAMIC 0.1U K 16V		4040950509	CERAMIC 0.1U K 16V
	4032989619	CERAMIC 0.1U K 16V		4032989619	CERAMIC 0.1U K 16V
C7558	4040940104	ELECT 10U M 16V	C8000	4041034505	CERAMIC 0.1U K 16V
	4033831313	ELECT 10U M 16V		4040950509	CERAMIC 0.1U K 16V
C7559	4040950509	CERAMIC 0.1U K 16V		4032989619	CERAMIC 0.1U K 16V
	4032989619	CERAMIC 0.1U K 16V	C8001	4040940104	ELECT 10U M 16V
C7560	4040940104	ELECT 10U M 16V		4033831313	ELECT 10U M 16V
	4033831313	ELECT 10U M 16V	C8002	4041034505	CERAMIC 0.1U K 16V
C7561	4041034505	CERAMIC 0.1U K 16V		4040950509	CERAMIC 0.1U K 16V
	4040950509	CERAMIC 0.1U K 16V		4032989619	CERAMIC 0.1U K 16V
	4032989619	CERAMIC 0.1U K 16V	C8003	4041034505	CERAMIC 0.1U K 16V
C7562	4040940104	ELECT 10U M 16V		4040950509	CERAMIC 0.1U K 16V
	4033831313	ELECT 10U M 16V		4032989619	CERAMIC 0.1U K 16V
C7563	4041034505	CERAMIC 0.1U K 16V	C8004	4040940104	ELECT 10U M 16V
	4040950509	CERAMIC 0.1U K 16V		4033831313	ELECT 10U M 16V
	4032989619	CERAMIC 0.1U K 16V	C8005	4041040209	CERAMIC 100P J 50V
C7564	4040940104	ELECT 10U M 16V		4040946403	CERAMIC 100P J 50V
	4033831313	ELECT 10U M 16V		4031573611	CERAMIC 100P J 50V
C7565	4041034505	CERAMIC 0.1U K 16V	C8006	4041040209	CERAMIC 100P J 50V
	4040950509	CERAMIC 0.1U K 16V		4040946403	CERAMIC 100P J 50V
	4032989619	CERAMIC 0.1U K 16V		4031573611	CERAMIC 100P J 50V
C7566	4041032907	CERAMIC 0.01U K 50V	C8007	4041040209	CERAMIC 100P J 50V
	4040901204	CERAMIC 0.01U K 50V		4040946403	CERAMIC 100P J 50V
	4032152211	CERAMIC 0.01U K 50V		4031573611	CERAMIC 100P J 50V
C7567	4040940104	ELECT 10U M 16V	C8008	4040940104	ELECT 10U M 16V
	4033831313	ELECT 10U M 16V		4033831313	ELECT 10U M 16V
C7568	4041034505	CERAMIC 0.1U K 16V			
	4040950509	CERAMIC 0.1U K 16V	<b>RESISTOR</b>		
	4032989619	CERAMIC 0.1U K 16V	RB7200	6450210358	R-NETWORK 100X4 0.063W
C7569	4041034505	CERAMIC 0.1U K 16V		6520019706	R-NETWORK 100X4 0.063W
	4040950509	CERAMIC 0.1U K 16V		6520019973	R-NETWORK 100X4 0.063W
	4032989619	CERAMIC 0.1U K 16V	RB7201	6450210358	R-NETWORK 100X4 0.063W

Ref. No.	Part No.	Description	Ref. No.	Part No.	Description
	6520019706	R-NETWORK 100X4 0.063W	R032	4011506219	MT-GLAZE 1K JA 1/10W
	6520019973	R-NETWORK 100X4 0.063W	R033	4011506219	MT-GLAZE 1K JA 1/10W
RB7202	6450210358	R-NETWORK 100X4 0.063W	R034	4011505915	MT-GLAZE 10K JA 1/10W
	6520019706	R-NETWORK 100X4 0.063W	R035	4011624111	MT-GLAZE 5.6K JA 1/10W
	6520019973	R-NETWORK 100X4 0.063W	R036	4011505915	MT-GLAZE 10K JA 1/10W
RB7203	6450210358	R-NETWORK 100X4 0.063W	R037	4012556510	MT-GLAZE 100 JA 1/10W
	6520019706	R-NETWORK 100X4 0.063W	R039	4011506011	MT-GLAZE 0.000 ZA 1/10W
	6520019973	R-NETWORK 100X4 0.063W	R041	4011622414	MT-GLAZE 1.2K JA 1/10W
RB7204	6450210358	R-NETWORK 100X4 0.063W	R042	4011622414	MT-GLAZE 1.2K JA 1/10W
	6520019706	R-NETWORK 100X4 0.063W	R043	4011505915	MT-GLAZE 10K JA 1/10W
	6520019973	R-NETWORK 100X4 0.063W	R045	4011506011	MT-GLAZE 0.000 ZA 1/10W
RB7205	6450210358	R-NETWORK 100X4 0.063W	R046	4011506011	MT-GLAZE 0.000 ZA 1/10W
	6520019706	R-NETWORK 100X4 0.063W	R048	4011506011	MT-GLAZE 0.000 ZA 1/10W
	6520019973	R-NETWORK 100X4 0.063W	R049	4011506011	MT-GLAZE 0.000 ZA 1/10W
RB7206	6450588846	R-NETWORK 33X4 0.063W	R050	4011506011	MT-GLAZE 0.000 ZA 1/10W
	6520019812	R-NETWORK 33X4 0.063W	R051	4011506011	MT-GLAZE 0.000 ZA 1/10W
	6520020030	R-NETWORK 33X4 0.063W	R057	4011623718	MT-GLAZE 4.7K JA 1/10W
RB7207	6450210358	R-NETWORK 100X4 0.063W	R058	4011623718	MT-GLAZE 4.7K JA 1/10W
	6520019706	R-NETWORK 100X4 0.063W	R059	4011623718	MT-GLAZE 4.7K JA 1/10W
	6520019973	R-NETWORK 100X4 0.063W	R1000	4012562719	MT-GLAZE 75 JA 1/10W
RB7208	6450210358	R-NETWORK 100X4 0.063W	R1001	4012565611	MT-GLAZE 47 JA 1/10W
	6520019706	R-NETWORK 100X4 0.063W	R1002	4011505816	MT-GLAZE 100K JA 1/10W
	6520019973	R-NETWORK 100X4 0.063W	R1003	4011505915	MT-GLAZE 10K JA 1/10W
RB7209	6450210358	R-NETWORK 100X4 0.063W	R1004	4012560418	MT-GLAZE 12K JA 1/10W
	6520019706	R-NETWORK 100X4 0.063W	R1005	4011505816	MT-GLAZE 100K JA 1/10W
	6520019973	R-NETWORK 100X4 0.063W	R1006	4011505915	MT-GLAZE 10K JA 1/10W
RB7210	6450210358	R-NETWORK 100X4 0.063W	R1007	4012560418	MT-GLAZE 12K JA 1/10W
	6520019706	R-NETWORK 100X4 0.063W	R1008	4011505816	MT-GLAZE 100K JA 1/10W
	6520019973	R-NETWORK 100X4 0.063W	R1009	4011505915	MT-GLAZE 10K JA 1/10W
RB7211	6450210358	R-NETWORK 100X4 0.063W	R101	4012556510	MT-GLAZE 100 JA 1/10W
	6520019706	R-NETWORK 100X4 0.063W	R1010	4012566311	MT-GLAZE 47K JA 1/10W
	6520019973	R-NETWORK 100X4 0.063W	R1011	4012560111	MT-GLAZE 8.2K JA 1/10W
RB7212	6450210426	R-NETWORK 4.7KX4 0.063W	R1012	4011623718	MT-GLAZE 4.7K JA 1/10W
	6520019720	R-NETWORK 4.7KX4 0.063W	R1013	4012565611	MT-GLAZE 47 JA 1/10W
	6520019911	R-NETWORK 4.7KX4 0.063W	R1014	4012565611	MT-GLAZE 47 JA 1/10W
RB7213	6450210426	R-NETWORK 4.7KX4 0.063W	R1015	4011505915	MT-GLAZE 10K JA 1/10W
	6520019720	R-NETWORK 4.7KX4 0.063W	R1016	4012566311	MT-GLAZE 47K JA 1/10W
	6520019911	R-NETWORK 4.7KX4 0.063W	R1017	4012560111	MT-GLAZE 8.2K JA 1/10W
RB7214	6450210358	R-NETWORK 100X4 0.063W	R1018	4011623718	MT-GLAZE 4.7K JA 1/10W
	6520019706	R-NETWORK 100X4 0.063W	R1019	4012565611	MT-GLAZE 47 JA 1/10W
	6520019973	R-NETWORK 100X4 0.063W	R102	4012556510	MT-GLAZE 100 JA 1/10W
RB7215	6450210358	R-NETWORK 100X4 0.063W	R1020	4012565611	MT-GLAZE 47 JA 1/10W
	6520019706	R-NETWORK 100X4 0.063W	R1021	4012562719	MT-GLAZE 75 JA 1/10W
	6520019973	R-NETWORK 100X4 0.063W	R1022	4012562719	MT-GLAZE 75 JA 1/10W
R003	4012566311	MT-GLAZE 47K JA 1/10W	R1023	4011506011	MT-GLAZE 0.000 ZA 1/10W
R004	4011505915	MT-GLAZE 10K JA 1/10W	R1024	4011623817	MT-GLAZE 470K JA 1/10W
R005	4012556510	MT-GLAZE 100 JA 1/10W	R1025	4011623817	MT-GLAZE 470K JA 1/10W
R007	4011506011	MT-GLAZE 0.000 ZA 1/10W	R1026	4012562719	MT-GLAZE 75 JA 1/10W
R008	4011506011	MT-GLAZE 0.000 ZA 1/10W	R1027	4012565611	MT-GLAZE 47 JA 1/10W
R009	4011505915	MT-GLAZE 10K JA 1/10W	R1028	4011623619	MT-GLAZE 470 JA 1/10W
R010	4011505915	MT-GLAZE 10K JA 1/10W	R1029	4012562719	MT-GLAZE 75 JA 1/10W
R011	4012764717	MT-GLAZE 0.000 ZA 1/3W	R103	4012567318	MT-GLAZE 6.8K JA 1/10W
R012	4012764717	MT-GLAZE 0.000 ZA 1/3W	R1030	4011506011	MT-GLAZE 0.000 ZA 1/10W
R014	4012556510	MT-GLAZE 100 JA 1/10W	R1031	4011505915	MT-GLAZE 10K JA 1/10W
R015	4011505915	MT-GLAZE 10K JA 1/10W	R1032	4012560418	MT-GLAZE 12K JA 1/10W
R017	4011506011	MT-GLAZE 0.000 ZA 1/10W	R1034	4012562719	MT-GLAZE 75 JA 1/10W
R018	4012764717	MT-GLAZE 0.000 ZA 1/3W	R1035	4011506011	MT-GLAZE 0.000 ZA 1/10W
R019	4012764717	MT-GLAZE 0.000 ZA 1/3W	R1036	4011505915	MT-GLAZE 10K JA 1/10W
R020	4011506011	MT-GLAZE 0.000 ZA 1/10W	R1037	4012560418	MT-GLAZE 12K JA 1/10W
R021	4011505915	MT-GLAZE 10K JA 1/10W	R104	4012563617	MT-GLAZE 15K JA 1/10W
R025	4011505915	MT-GLAZE 10K JA 1/10W	R105	4011623015	MT-GLAZE 22K JA 1/10W
R026	4012566311	MT-GLAZE 47K JA 1/10W	R106	4011506011	MT-GLAZE 0.000 ZA 1/10W
R027	4011506011	MT-GLAZE 0.000 ZA 1/10W	R107	4012562719	MT-GLAZE 75 JA 1/10W
R028	4011505915	MT-GLAZE 10K JA 1/10W	R108	4011505915	MT-GLAZE 10K JA 1/10W
R029	4011624111	MT-GLAZE 5.6K JA 1/10W	R109	4011505915	MT-GLAZE 10K JA 1/10W
R030	4012764717	MT-GLAZE 0.000 ZA 1/3W	R110	4011623619	MT-GLAZE 470 JA 1/10W
R031	4012764717	MT-GLAZE 0.000 ZA 1/3W	R111	4012566519	MT-GLAZE 68 JA 1/10W

Ref. No.	Part No.	Description	Ref. No.	Part No.	Description
R118	4012764717	MT-GLAZE 0.000 ZA 1/3W	R3127	4011505915	MT-GLAZE 10K JA 1/10W
R119	4012764717	MT-GLAZE 0.000 ZA 1/3W	R3128	4011506011	MT-GLAZE 0.000 ZA 1/10W
R120	4012565611	MT-GLAZE 47 JA 1/10W	R405	4012560111	MT-GLAZE 8.2K JA 1/10W
R122	4012566311	MT-GLAZE 47K JA 1/10W	R700	4012556015	MT-GLAZE 1M JA 1/10W
R125	4011506011	MT-GLAZE 0.000 ZA 1/10W	R701	4011506219	MT-GLAZE 1K JA 1/10W
R1500	4011623718	MT-GLAZE 4.7K JA 1/10W	R702	4011506219	MT-GLAZE 1K JA 1/10W
R1502	4011506011	MT-GLAZE 0.000 ZA 1/10W	R703	4011505915	MT-GLAZE 10K JA 1/10W
R1503	4011623718	MT-GLAZE 4.7K JA 1/10W	R704	4012556510	MT-GLAZE 100 JA 1/10W
R1506	4011506011	MT-GLAZE 0.000 ZA 1/10W	R705	4012556510	MT-GLAZE 100 JA 1/10W
R1507	4011506011	MT-GLAZE 0.000 ZA 1/10W	R706	4011623718	MT-GLAZE 4.7K JA 1/10W
R1508	4011623718	MT-GLAZE 4.7K JA 1/10W	R707	4011622216	MT-GLAZE 10 JA 1/10W
R1509	4011623718	MT-GLAZE 4.7K JA 1/10W	R708	4011622216	MT-GLAZE 10 JA 1/10W
R1510	4012562719	MT-GLAZE 75 JA 1/10W	R709	4011622216	MT-GLAZE 10 JA 1/10W
R1511	4012562719	MT-GLAZE 75 JA 1/10W	R710	4011622216	MT-GLAZE 10 JA 1/10W
R1512	4012562719	MT-GLAZE 75 JA 1/10W	R711	4011622216	MT-GLAZE 10 JA 1/10W
R1513	4012565611	MT-GLAZE 47 JA 1/10W	R712	4011622216	MT-GLAZE 10 JA 1/10W
R1514	4012565611	MT-GLAZE 47 JA 1/10W	R713	4011622216	MT-GLAZE 10 JA 1/10W
R1515	4012565611	MT-GLAZE 47 JA 1/10W	R714	4011622216	MT-GLAZE 10 JA 1/10W
R1516	4012556510	MT-GLAZE 100 JA 1/10W	R715	4012560715	MT-GLAZE 33 JA 1/10W
R1517	4012556510	MT-GLAZE 100 JA 1/10W	R716	4012560715	MT-GLAZE 33 JA 1/10W
R1518	4011623619	MT-GLAZE 470 JA 1/10W	R717	4012556015	MT-GLAZE 1M JA 1/10W
R1519	4012560418	MT-GLAZE 12K JA 1/10W	R718	4011506219	MT-GLAZE 1K JA 1/10W
R1520	4012560418	MT-GLAZE 12K JA 1/10W	R719	4011505915	MT-GLAZE 10K JA 1/10W
R1521	4011505915	MT-GLAZE 10K JA 1/10W	R720	4011506219	MT-GLAZE 1K JA 1/10W
R1522	4011505915	MT-GLAZE 10K JA 1/10W	R7200	4012650218	MT-GLAZE 390 FA 1/10W
R1524	4011505915	MT-GLAZE 10K JA 1/10W	R7201	4012565611	MT-GLAZE 47 JA 1/10W
R1526	4011506011	MT-GLAZE 0.000 ZA 1/10W	R7202	4012565611	MT-GLAZE 47 JA 1/10W
R1528	4011506011	MT-GLAZE 0.000 ZA 1/10W	R7203	4012558712	MT-GLAZE 22 JA 1/10W
R1772	4012562719	MT-GLAZE 75 JA 1/10W	R7204	4012558712	MT-GLAZE 22 JA 1/10W
R1773	4012562719	MT-GLAZE 75 JA 1/10W	R7205	4012558712	MT-GLAZE 22 JA 1/10W
R1774	4012562719	MT-GLAZE 75 JA 1/10W	R7206	4012565611	MT-GLAZE 47 JA 1/10W
R1775	4011505915	MT-GLAZE 10K JA 1/10W	R7207	4012565611	MT-GLAZE 47 JA 1/10W
R1777	4011505915	MT-GLAZE 10K JA 1/10W	R7208	4012563617	MT-GLAZE 15K JA 1/10W
R3000	4012642916	MT-GLAZE 12K FA 1/10W	R7209	4011623718	MT-GLAZE 4.7K JA 1/10W
R3001	4012642916	MT-GLAZE 12K FA 1/10W	R721	4012556510	MT-GLAZE 100 JA 1/10W
R3002	4012764717	MT-GLAZE 0.000 ZA 1/3W	R7210	4011523216	MT-GLAZE 330 JA 1/10W
R3003	4012764717	MT-GLAZE 0.000 ZA 1/3W	R7211	4012555919	MT-GLAZE 200 JA 1/10W
R3004	4011505816	MT-GLAZE 100K JA 1/10W	R7212	4012566519	MT-GLAZE 68 JA 1/10W
R3006	4011506318	MT-GLAZE 200K JA 1/10W	R7213	4012556510	MT-GLAZE 100 JA 1/10W
R3007	4011506011	MT-GLAZE 0.000 ZA 1/10W	R7214	4012564119	MT-GLAZE 56 JA 1/10W
R3010	4011506011	MT-GLAZE 0.000 ZA 1/10W	R7216	4011506011	MT-GLAZE 0.000 ZA 1/10W
R3011	4011506011	MT-GLAZE 0.000 ZA 1/10W	R7217	4011623015	MT-GLAZE 22K JA 1/10W
R3012	4011623718	MT-GLAZE 4.7K JA 1/10W	R7218	4011623015	MT-GLAZE 22K JA 1/10W
R3013	4011623718	MT-GLAZE 4.7K JA 1/10W	R7219	4011623015	MT-GLAZE 22K JA 1/10W
R3014	4011506011	MT-GLAZE 0.000 ZA 1/10W	R722	4012556510	MT-GLAZE 100 JA 1/10W
R3015	4011506011	MT-GLAZE 0.000 ZA 1/10W	R7220	4011623015	MT-GLAZE 22K JA 1/10W
R3016	4011506011	MT-GLAZE 0.000 ZA 1/10W	R7221	4011506011	MT-GLAZE 0.000 ZA 1/10W
R3022	4011506011	MT-GLAZE 0.000 ZA 1/10W	R7222	4011623718	MT-GLAZE 4.7K JA 1/10W
R3023	4012556510	MT-GLAZE 100 JA 1/10W	R7223	4011623718	MT-GLAZE 4.7K JA 1/10W
R3025	4012567011	MT-GLAZE 180K JA 1/10W	R7224	4011623718	MT-GLAZE 4.7K JA 1/10W
R3026	4012567011	MT-GLAZE 180K JA 1/10W	R7225	4011623718	MT-GLAZE 4.7K JA 1/10W
R3100	4011623411	MT-GLAZE 39K JA 1/10W	R7226	4011623718	MT-GLAZE 4.7K JA 1/10W
R3101	4011624012	MT-GLAZE 560 JA 1/10W	R7227	4011623718	MT-GLAZE 4.7K JA 1/10W
R3102	4012566311	MT-GLAZE 47K JA 1/10W	R723	4011623718	MT-GLAZE 4.7K JA 1/10W
R3103	4011505915	MT-GLAZE 10K JA 1/10W	R7232	4011623619	MT-GLAZE 470 JA 1/10W
R3104	4011505915	MT-GLAZE 10K JA 1/10W	R7233	4012558712	MT-GLAZE 22 JA 1/10W
R3105	4011623411	MT-GLAZE 39K JA 1/10W	R7234	4012558712	MT-GLAZE 22 JA 1/10W
R3106	4011624012	MT-GLAZE 560 JA 1/10W	R7235	4012558712	MT-GLAZE 22 JA 1/10W
R3107	4012566311	MT-GLAZE 47K JA 1/10W	R7236	4011623015	MT-GLAZE 22K JA 1/10W
R3108	4012561712	MT-GLAZE 33K JA 1/10W	R7238	4011623015	MT-GLAZE 22K JA 1/10W
R3109	4012561712	MT-GLAZE 33K JA 1/10W	R724	4011622216	MT-GLAZE 10 JA 1/10W
R3110	4012556510	MT-GLAZE 100 JA 1/10W	R725	4011622216	MT-GLAZE 10 JA 1/10W
R3114	4011506011	MT-GLAZE 0.000 ZA 1/10W	R726	4011622216	MT-GLAZE 10 JA 1/10W
R3115	4011506011	MT-GLAZE 0.000 ZA 1/10W	R727	4011622216	MT-GLAZE 10 JA 1/10W
R3123	4011623411	MT-GLAZE 39K JA 1/10W	R728	4011622216	MT-GLAZE 10 JA 1/10W
R3124	4011623015	MT-GLAZE 22K JA 1/10W	R729	4011622216	MT-GLAZE 10 JA 1/10W
R3125	4012566311	MT-GLAZE 47K JA 1/10W	R730	4011622216	MT-GLAZE 10 JA 1/10W

Ref. No.	Part No.	Description	Ref. No.	Part No.	Description
R731	4011622216	MT-GLAZE 10 JA 1/10W	R7408	4012582618	MT-GLAZE 150 FA 1/10W
R732	4012560715	MT-GLAZE 33 JA 1/10W	R7500	4011623718	MT-GLAZE 4.7K JA 1/10W
R733	4012560715	MT-GLAZE 33 JA 1/10W	R7501	4011623718	MT-GLAZE 4.7K JA 1/10W
R7339	4012556510	MT-GLAZE 100 JA 1/10W	R7502	4011505915	MT-GLAZE 10K JA 1/10W
R734	4011623718	MT-GLAZE 4.7K JA 1/10W	R7503	4011623718	MT-GLAZE 4.7K JA 1/10W
R7342	4012558712	MT-GLAZE 22 JA 1/10W	R7504	4011505915	MT-GLAZE 10K JA 1/10W
R7343	4012558712	MT-GLAZE 22 JA 1/10W	R7505	4012347613	MT-GLAZE 3.9 JA 1W
R7344	4012558712	MT-GLAZE 22 JA 1/10W	R7506	4012347613	MT-GLAZE 3.9 JA 1W
R7345	4012556510	MT-GLAZE 100 JA 1/10W	R7507	4011590614	MT-GLAZE 8.2 JA 1/16W
R7347	4012556510	MT-GLAZE 100 JA 1/10W	R7508	4012560319	MT-GLAZE 820 JA 1/10W
R7349	4012556510	MT-GLAZE 100 JA 1/10W	R7509	4011505915	MT-GLAZE 10K JA 1/10W
R7350	4012556510	MT-GLAZE 100 JA 1/10W	R7510	4011505915	MT-GLAZE 10K JA 1/10W
R7351	4012556510	MT-GLAZE 100 JA 1/10W	R7511	4011505915	MT-GLAZE 10K JA 1/10W
R7352	4011505915	MT-GLAZE 10K JA 1/10W	R7512	4011505915	MT-GLAZE 10K JA 1/10W
R7355	4011505915	MT-GLAZE 10K JA 1/10W	R7513	4012764717	MT-GLAZE 0.000 ZA 1/3W
R7357	4011505915	MT-GLAZE 10K JA 1/10W	R7514	4012764717	MT-GLAZE 0.000 ZA 1/3W
R7358	4011505915	MT-GLAZE 10K JA 1/10W	R752	4012566014	MT-GLAZE 27K JA 1/10W
R736	4011623718	MT-GLAZE 4.7K JA 1/10W	R7801	4011901717	MT-GLAZE 0.000 ZA 1W
R7360	4011505915	MT-GLAZE 10K JA 1/10W	R7808	4011506011	MT-GLAZE 0.000 ZA 1/10W
R7361	4012560418	MT-GLAZE 12K JA 1/10W	R7809	4011506011	MT-GLAZE 0.000 ZA 1/10W
R7362	4012567318	MT-GLAZE 6.8K JA 1/10W	R7810	4011506011	MT-GLAZE 0.000 ZA 1/10W
R7363	4012566311	MT-GLAZE 47K JA 1/10W	R8000	4012561712	MT-GLAZE 33K JA 1/10W
R7364	4012556510	MT-GLAZE 100 JA 1/10W	R8002	4012556510	MT-GLAZE 100 JA 1/10W
R7365	4012556510	MT-GLAZE 100 JA 1/10W	R8003	4012556510	MT-GLAZE 100 JA 1/10W
R7366	4012556510	MT-GLAZE 100 JA 1/10W	R8004	4011623718	MT-GLAZE 4.7K JA 1/10W
R7367	4012556015	MT-GLAZE 1M JA 1/10W	R8005	4011623718	MT-GLAZE 4.7K JA 1/10W
R7368	4011505915	MT-GLAZE 10K JA 1/10W	R8006	4011623718	MT-GLAZE 4.7K JA 1/10W
R7369	4011506219	MT-GLAZE 1K JA 1/10W	R8007	4011623718	MT-GLAZE 4.7K JA 1/10W
R7370	4011505915	MT-GLAZE 10K JA 1/10W	R8009	4011623718	MT-GLAZE 4.7K JA 1/10W
R7371	4011506219	MT-GLAZE 1K JA 1/10W	R8010	4011623718	MT-GLAZE 4.7K JA 1/10W
R7373	4011505915	MT-GLAZE 10K JA 1/10W	R8011	4012556510	MT-GLAZE 100 JA 1/10W
R7374	4011506011	MT-GLAZE 0.000 ZA 1/10W	R8012	4012556510	MT-GLAZE 100 JA 1/10W
R7375	4011505915	MT-GLAZE 10K JA 1/10W	R8013	4011506219	MT-GLAZE 1K JA 1/10W
R7376	4011506219	MT-GLAZE 1K JA 1/10W	R8014	4011506219	MT-GLAZE 1K JA 1/10W
R7377	4011505915	MT-GLAZE 10K JA 1/10W	R8015	4012556015	MT-GLAZE 1M JA 1/10W
R7378	4012556510	MT-GLAZE 100 JA 1/10W	R8016	4012556015	MT-GLAZE 1M JA 1/10W
R738	4012764717	MT-GLAZE 0.000 ZA 1/3W	R8017	4011623718	MT-GLAZE 4.7K JA 1/10W
R7380	4012565918	MT-GLAZE 2.7K JA 1/10W	R8018	4012566311	MT-GLAZE 47K JA 1/10W
R7381	4011506110	MT-GLAZE 2.2K JA 1/10W	R8019	4012556510	MT-GLAZE 100 JA 1/10W
R7382	4011623718	MT-GLAZE 4.7K JA 1/10W	R8020	4011506219	MT-GLAZE 1K JA 1/10W
R7383	4012566311	MT-GLAZE 47K JA 1/10W	R8021	4011506219	MT-GLAZE 1K JA 1/10W
R7384	4012566311	MT-GLAZE 47K JA 1/10W	R8022	4011506011	MT-GLAZE 0.000 ZA 1/10W
R7385	4011505915	MT-GLAZE 10K JA 1/10W	R8023	4011623619	MT-GLAZE 470 JA 1/10W
R7386	4012764717	MT-GLAZE 0.000 ZA 1/3W	R8025	4011506011	MT-GLAZE 0.000 ZA 1/10W
R7387	4012764717	MT-GLAZE 0.000 ZA 1/3W	R8026	4011623619	MT-GLAZE 470 JA 1/10W
R7388	4012567011	MT-GLAZE 180K JA 1/10W			
R7389	4012764717	MT-GLAZE 0.000 ZA 1/3W			
R739	4011623718	MT-GLAZE 4.7K JA 1/10W			
R7390	4012764717	MT-GLAZE 0.000 ZA 1/3W			
R7391	4012764717	MT-GLAZE 0.000 ZA 1/3W			
R7392	4012764717	MT-GLAZE 0.000 ZA 1/3W			
R7393	4012764717	MT-GLAZE 0.000 ZA 1/3W			
R7394	4012764717	MT-GLAZE 0.000 ZA 1/3W			
R7395	4012764717	MT-GLAZE 0.000 ZA 1/3W			
R7396	4012764717	MT-GLAZE 0.000 ZA 1/3W			
R7397	4012764717	MT-GLAZE 0.000 ZA 1/3W			
R7398	4012764717	MT-GLAZE 0.000 ZA 1/3W			
R7399	4012764717	MT-GLAZE 0.000 ZA 1/3W			
R740	4011623718	MT-GLAZE 4.7K JA 1/10W			
R7400	4012764717	MT-GLAZE 0.000 ZA 1/3W			
R7401	4012764717	MT-GLAZE 0.000 ZA 1/3W			
R7402	4012764717	MT-GLAZE 0.000 ZA 1/3W			
R7403	4012764717	MT-GLAZE 0.000 ZA 1/3W			
R7404	4012764717	MT-GLAZE 0.000 ZA 1/3W			
R7405	4012764717	MT-GLAZE 0.000 ZA 1/3W			
R7406	4012764717	MT-GLAZE 0.000 ZA 1/3W			
R7407	4012764717	MT-GLAZE 0.000 ZA 1/3W			
			<b>COIL</b>		
			L001	6450861680	INDUCTOR, 47U M
			L002	6450861680	INDUCTOR, 47U M
			L003	6450861680	INDUCTOR, 47U M
			L004	6450806827	INDUCTOR, 3.3U M
			L1000	6450363894	INDUCTOR, 220 OHM
				6520016989	INDUCTOR, 220 OHM
			L1001	6450363894	INDUCTOR, 220 OHM
				6520016989	INDUCTOR, 220 OHM
			L102	6450806827	INDUCTOR, 3.3U M
			L103	6450806827	INDUCTOR, 3.3U M
			L1500	4011506011	MT-GLAZE 0.000 ZA 1/10W
			L1501	4011506011	MT-GLAZE 0.000 ZA 1/10W
			L3001	6450806827	INDUCTOR, 3.3U M
			L3002	6450806827	INDUCTOR, 3.3U M
			L7500	6450363894	INDUCTOR, 220 OHM
				6520016989	INDUCTOR, 220 OHM
			L7501	6450363894	INDUCTOR, 220 OHM
				6520016989	INDUCTOR, 220 OHM
			L7502	6450363894	INDUCTOR, 220 OHM
				6520016989	INDUCTOR, 220 OHM

Ref. No.	Part No.	Description	Ref. No.	Part No.	Description
L7503	6450363894	INDUCTOR, 220 OHM	K1002	6100098053	JACK, PHONE D3.6
	6520016989	INDUCTOR, 220 OHM		6520015067	JACK, PHONE D3.6
L7504	6450363894	INDUCTOR, 220 OHM		6520015937	JACK, PHONE D3.6
	6520016989	INDUCTOR, 220 OHM	K1003	6520019188	JACK, RCA-5 (6-1)
L7505	6450363894	INDUCTOR, 220 OHM	K1006	6450754944	SOCKET, IF (HDMI) 19P
	6520016989	INDUCTOR, 220 OHM		6450857430	SOCKET, IF (HDMI) 19P
L7506	6450363894	INDUCTOR, 220 OHM	K1007	6450754944	SOCKET, IF (HDMI) 19P
	6520016989	INDUCTOR, 220 OHM		6450857430	SOCKET, IF (HDMI) 19P
L7507	6450363894	INDUCTOR, 220 OHM	K1501	6450077456	JACK, PHONE D3.5
	6520016989	INDUCTOR, 220 OHM		6520022003	JACK, PHONE D3.6
L7508	6450363894	INDUCTOR, 220 OHM	K1502	6450508011	SOCKET, D-SUB 15P
	6520016989	INDUCTOR, 220 OHM		6520016873	SOCKET, D-SUB 15P
L7509	6450363894	INDUCTOR, 220 OHM	<b>6103394701 ASSY,PWB, POWER, N5ZW</b>		
	6520016989	INDUCTOR, 220 OHM	<b>1AA0B10S265BA</b>		
L7510	6450363894	INDUCTOR, 220 OHM	<b>TRANSISTOR</b>		
	6520016989	INDUCTOR, 220 OHM			
L7511	6450363894	INDUCTOR, 220 OHM	Q1603	4051814609	TR 2SK3264
	6520016989	INDUCTOR, 220 OHM	Q1606	4050180606	TR 2SC3332-S
L8000	6450363894	INDUCTOR, 220 OHM	Q601	4052211308	TR STW25NM50N
	6520016989	INDUCTOR, 220 OHM	Q602	4051789709	TR 2SK3505
			Q604	4051789709	TR 2SK3505
			Q6800	4060214407	TR MMBTSC3928R
				4050144519	TR 2SC2412K T146 R
				4050144618	TR 2SC2412K T146 S
				4050158724	TR 2SC2812-L6-TB
				4050158922	TR 2SC2812-L7-TB
				4051631612	TR 2SC2812N-L6-TB0
				4051739813	TR 2SC3928A1R
				4051739912	TR 2SC3928A1S
			Q681	4060213004	TR CJD400-E
				4050235009	TR 2SD400-E-MP
			Q682	4060214407	TR MMBTSC3928R
				4050144519	TR 2SC2412K T146 R
				4050144618	TR 2SC2412K T146 S
				4050158724	TR 2SC2812-L6-TB
				4050158922	TR 2SC2812-L7-TB
				4051631612	TR 2SC2812N-L6-TB0
				4051739813	TR 2SC3928A1R
				4051739912	TR 2SC3928A1S
			Q683	4060214407	TR MMBTSC3928R
				4050144519	TR 2SC2412K T146 R
				4050144618	TR 2SC2412K T146 S
				4050158724	TR 2SC2812-L6-TB
				4050158922	TR 2SC2812-L7-TB
				4051631612	TR 2SC2812N-L6-TB0
				4051739813	TR 2SC3928A1R
				4051739912	TR 2SC3928A1S
			Q684	4060214407	TR MMBTSC3928R
				4050144519	TR 2SC2412K T146 R
				4050144618	TR 2SC2412K T146 S
				4050158724	TR 2SC2812-L6-TB
				4050158922	TR 2SC2812-L7-TB
				4051631612	TR 2SC2812N-L6-TB0
				4051739813	TR 2SC3928A1R
				4051739912	TR 2SC3928A1S
			Q685	4060214407	TR MMBTSC3928R
				4050144519	TR 2SC2412K T146 R
				4050144618	TR 2SC2412K T146 S
				4050158724	TR 2SC2812-L6-TB
				4050158922	TR 2SC2812-L7-TB
				4051631612	TR 2SC2812N-L6-TB0
				4051739813	TR 2SC3928A1R
				4051739912	TR 2SC3928A1S
			Q690	4052203115	TR ISA1235AC1E
				4052203016	TR ISA1235AC1F
<b>DIODE</b>					
D008	4072187716	ZENER DIODE UDZS20B-TE-17			
	4080641900	ZENER DIODE MM3Z 20B			
D009	4080627201	DIODE 1SS35			
	4071490817	DIODE 1SS355-TE-17			
D010	4080627201	DIODE 1SS35			
	4071490817	DIODE 1SS355-TE-17			
D1500	4080627201	DIODE 1SS35			
	4071490817	DIODE 1SS355-TE-17			
D1501	4080627201	DIODE 1SS35			
	4071490817	DIODE 1SS355-TE-17			
D1502	4072089713	ZD UDZS-TE-175.6B			
	4080629700	ZENER DIODE MM3Z5V6B			
D1503	4072089713	ZD UDZS-TE-175.6B			
	4080629700	ZENER DIODE MM3Z5V6B			
D3000	4080627201	DIODE 1SS35			
	4071490817	DIODE 1SS355-TE-17			
D3001	4080627201	DIODE 1SS35			
	4071490817	DIODE 1SS355-TE-17			
D3100	4080627201	DIODE 1SS35			
	4071490817	DIODE 1SS355-TE-17			
D3101	4080627201	DIODE 1SS35			
	4071490817	DIODE 1SS355-TE-17			
D400	4080627201	DIODE 1SS35			
	4071490817	DIODE 1SS355-TE-17			
D401	4080627201	DIODE 1SS35			
	4071490817	DIODE 1SS355-TE-17			
D700	4080627201	DIODE 1SS35			
	4071490817	DIODE 1SS355-TE-17			
D701	4080627201	DIODE 1SS35			
	4071490817	DIODE 1SS355-TE-17			
D702	4080627201	DIODE 1SS35			
	4071490817	DIODE 1SS355-TE-17			
D703	4080627201	DIODE 1SS35			
	4071490817	DIODE 1SS355-TE-17			
D704	4080627201	DIODE 1SS35			
	4071490817	DIODE 1SS355-TE-17			
D7200	4080627201	DIODE 1SS35			
	4071490817	DIODE 1SS355-TE-17			
D7201	4080627201	DIODE 1SS35			
	4071490817	DIODE 1SS355-TE-17			
<b>MISCELLANEOUS</b>					
A102	6520025042	TUNERU/V			
K1000	6520019171	JACK, RCA-6			
K1001	6520011960	SOCKET, DIN 4P			



Ref. No.	Part No.	Description	Ref. No.	Part No.	Description
	4033701517	CERAMIC 0.1U K 50V		4033701517	CERAMIC 0.1U K 50V
C662	4041064700	ELECT 2200U M 35V	C695	4041078400	CERAMIC 1000P K 1K
C663	4041064205	ELECT 1000U M 35V		4040846307	CERAMIC 1000P K 1K
	4034315505	ELECT 1000U M 35V		4032221303	CERAMIC 1000P K 1K
C664	4041044900	CERAMIC 0.1U K 50V		4032719602	CERAMIC 1000P K 1K
	4040912606	CERAMIC 0.1U K 50V	C696	4040912606	CERAMIC 0.1U K 50V
C665	4041064205	ELECT 1000U M 35V		4033701517	CERAMIC 0.1U K 50V
	4034315505	ELECT 1000U M 35V	C698	4041044900	CERAMIC 0.1U K 50V
C666	4041078400	CERAMIC 1000P K 1K		4040912606	CERAMIC 0.1U K 50V
	4040846307	CERAMIC 1000P K 1K	C699	4041064304	ELECT 470U M 16V
	4032221303	CERAMIC 1000P K 1K			
	4032719602	CERAMIC 1000P K 1K	<b>RESISTOR</b>		
C667	4041078400	CERAMIC 1000P K 1K	R1601	4012552710	MT-GLAZE 3.9M JA 1/4W
	4040846307	CERAMIC 1000P K 1K	R1602	4012552710	MT-GLAZE 3.9M JA 1/4W
	4032221303	CERAMIC 1000P K 1K	R1603	4011882818	MT-GLAZE 56K JA 1/4W
	4032719602	CERAMIC 1000P K 1K	R1604	4011879214	MT-GLAZE 10 JA 1/4W
C670	4041063802	ELECT 1000U M 16V	R1605	4011882610	MT-GLAZE 56 JA 1/4W
C671	4041044900	CERAMIC 0.1U K 50V	R1606	4011505915	MT-GLAZE 10K JA 1/10W
	4040912606	CERAMIC 0.1U K 50V	R1607	4011506219	MT-GLAZE 1K JA 1/10W
C672	4041064304	ELECT 470U M 16V	R1608	4021196308	OXIDE-MT 0.47 JA 1W
C673	4041044900	CERAMIC 0.1U K 50V		4020949509	OXIDE-MT 0.47 JA 1W
	4040912606	CERAMIC 0.1U K 50V		4021205000	OXIDE-MT 0.47 JA 1W
C675	4041044900	CERAMIC 0.1U K 50V		4010575216	OXIDE-MT 0.47 JA 1W
	4040912606	CERAMIC 0.1U K 50V	R1609	4012189213	MT-GLAZE 100 JA 1/3W
C676	4041064205	ELECT 1000U M 35V	R1610	4011881217	MT-GLAZE 33 JA 1/4W
C677	4041064700	ELECT 2200U M 35V	R1611	4012560210	MT-GLAZE 120K JA 1/10W
C678	4041078400	CERAMIC 1000P K 1K	R1612	4012565314	MT-GLAZE 56K JA 1/10W
	4040846307	CERAMIC 1000P K 1K	R1613	4012559214	MT-GLAZE 6.2K JA 1/10W
	4032221303	CERAMIC 1000P K 1K	R1614	4011624111	MT-GLAZE 5.6K JA 1/10W
	4032719602	CERAMIC 1000P K 1K	R1615	4011035610	MT-GLAZE 10K JA 1/4W
C679	4041078400	CERAMIC 1000P K 1K	R1616	4011880517	MT-GLAZE 2.2K JA 1/4W
	4040846307	CERAMIC 1000P K 1K	R1617	4011882818	MT-GLAZE 56K JA 1/4W
	4032221303	CERAMIC 1000P K 1K	R1618	4021034501	OXIDE-MT 68K JA 2W
	4032719602	CERAMIC 1000P K 1K		4020932709	OXIDE-MT 68K JA 2W
C680	4041063901	ELECT 1000U M 25V		4010694511	OXIDE-MT 68K JA 2W
	4034309702	ELECT 1000U M 25V	R1619	4011842010	MT-GLAZE 2.2 JA 1/2W
C6800	4040912606	CERAMIC 0.1U K 50V	R1621	4012552710	MT-GLAZE 3.9M JA 1/4W
	4033701517	CERAMIC 0.1U K 50V	R1622	4012552710	MT-GLAZE 3.9M JA 1/4W
C6803	4040912606	CERAMIC 0.1U K 50V	R1623	4012556114	MT-GLAZE 20K JA 1/10W
	4033701517	CERAMIC 0.1U K 50V	R1685	4012566014	MT-GLAZE 27K JA 1/10W
C681	4041063901	ELECT 1000U M 25V	R6002	4012565611	MT-GLAZE 47 JA 1/10W
	4034309702	ELECT 1000U M 25V	R6003	4012641919	MT-GLAZE 10K FA 1/10W
C682	4041098408	ELECT 100U M 25V	R6005	4012641810	MT-GLAZE 1K FA 1/10W
	4034275304	ELECT 100U M 25V	R6006	4012582618	MT-GLAZE 150 FA 1/10W
C683	4041063703	ELECT 2200U M 25V	R6008	4011882313	MT-GLAZE 4.7K JA 1/4W
	4034311804	ELECT 2200U M 25V	R6009	4011506110	MT-GLAZE 2.2K JA 1/10W
C684	4041032907	CERAMIC 0.01U K 50V	△R601	4010104802	CARBON 470K JA 1/2W
	4040901204	CERAMIC 0.01U K 50V		4021038400	CARBON 470K JA 1/2W
C685	4041044900	CERAMIC 0.1U K 50V	△R602	4020925305	CARBON 470K JA 1/2W
	4040912606	CERAMIC 0.1U K 50V		4021038400	CARBON 470K JA 1/2W
C686	4041044900	CERAMIC 0.1U K 50V		4020925305	CARBON 470K JA 1/2W
	4040912606	CERAMIC 0.1U K 50V	R603	4080563707	THERMISTOR NTPAD5R1LDNB0
C687	4041032907	CERAMIC 0.01U K 50V	R604	4012552710	MT-GLAZE 3.9M JA 1/4W
	4040901204	CERAMIC 0.01U K 50V	R605	4012552710	MT-GLAZE 3.9M JA 1/4W
C688	4041078400	CERAMIC 1000P K 1K	R606	4021102200	OXIDE-MT 0.22 JA 2W
	4040846307	CERAMIC 1000P K 1K		4021033405	OXIDE-MT 0.22 JA 2W
	4032221303	CERAMIC 1000P K 1K		4011007716	OXIDE-MT 0.22 JA 2W
	4032719602	CERAMIC 1000P K 1K	R607	4021102200	OXIDE-MT 0.22 JA 2W
C689	4040912606	CERAMIC 0.1U K 50V		4021033405	OXIDE-MT 0.22 JA 2W
	4032245715	CERAMIC 1000P K 50V		4011007716	OXIDE-MT 0.22 JA 2W
C690	4041063802	ELECT 1000U M 16V	R608	4011880418	MT-GLAZE 220 JA 1/4W
C691	4041063703	ELECT 2200U M 25V	R609	4011505816	MT-GLAZE 100K JA 1/10W
C692	4041063901	ELECT 1000U M 25V	R615	4012654414	MT-GLAZE 6.8K FA 1/10W
	4034309702	ELECT 1000U M 25V	R616	4012567615	MT-GLAZE 3.9K JA 1/10W
C693	4041044900	CERAMIC 0.1U K 50V	R618	4012543015	MT-GLAZE 33K JA 1/4W
	4040912606	CERAMIC 0.1U K 50V	R621	4011882016	MT-GLAZE 4.7 JA 1/4W
C694	4040912606	CERAMIC 0.1U K 50V			



Ref. No.	Part No.	Description	Ref. No.	Part No.	Description
R624	4011881217	MT-GLAZE 33 JA 1/4W	R696	4011506219	MT-GLAZE 1K JA 1/10W
R626	4011881910	MT-GLAZE 390K JA 1/4W	R697	4011506110	MT-GLAZE 2.2K JA 1/10W
R627	4011881910	MT-GLAZE 390K JA 1/4W	R698	4011624111	MT-GLAZE 5.6K JA 1/10W
R630	4021096400	OXIDE-MT 12K JA 1W	R699	4011465110	MT-GLAZE 1K JA 1/4W
	4021048409	OXIDE-MT 12K JA 1W	<b>TRANSFORMER</b>		
	4010589817	OXIDE-MT 12K JA 1W	△T6011	6520025219	TRANS, POWER, PULSE
R636	4012566311	MT-GLAZE 47K JA 1/10W	T602	6520025172	TRANS, POWER, PULSE
R637	4012646518	MT-GLAZE 2.2K FA 1/10W	<b>COIL</b>		
R642	4011505915	MT-GLAZE 10K JA 1/10W	△L601	6520024755	LINE FILTER
R643	4012563617	MT-GLAZE 15K JA 1/10W	L602	6520024472	LINE FILTER
R644	4012561415	MT-GLAZE 330K JA 1/10W	L603	6520024472	LINE FILTER
R645	4012555810	MT-GLAZE 2K JA 1/10W	L604	6520024472	LINE FILTER
R647	4011505915	MT-GLAZE 10K JA 1/10W	L605	6520025202	INDUCTOR ,560UH
R648	4012566311	MT-GLAZE 47K JA 1/10W	L660	6520024144	INDUCTOR, 0.8UH
R649	4011879214	MT-GLAZE 10 JA 1/4W	L661	6520024144	INDUCTOR, 0.8UH
R650	4011879214	MT-GLAZE 10 JA 1/4W	L662	6520001749	CORE, PIPE
R651	4012566311	MT-GLAZE 47K JA 1/10W	L663	6520024144	INDUCTOR, 0.8UH
R652	4011879214	MT-GLAZE 10 JA 1/4W	L670	6520001749	CORE, PIPE
R653	4012566212	MT-GLAZE 270 JA 1/10W	L671	6520001749	CORE, PIPE
R654	4021036406	OXIDE-MT 0.68 JA 1W	<b>DIODE</b>		
	4020949608	OXIDE-MT 0.68 JA 1W	D1601	4080476205	ZENER DIODE MTZJ36A
	4010576817	OXIDE-MT 0.68 JA 1W	D1602	4080585105	DIODE LL4148
R655	4011879214	MT-GLAZE 10 JA 1/4W	D1604	4080584207	DIODE EU1
R656	4012560012	MT-GLAZE 120 JA 1/10W	D1605	4080475307	ZENER DIODE MTZJ16A-52
R658	4021173200	SOLID 10M KA 1/2W	D1606	4080584207	DIODE EU1
R659	4021173200	SOLID 10M KA 1/2W	D1607	4080456603	DIODE EG01C
R661	4021096103	OXIDE-MT 0.47 JA 2W		4080583804	DIODE EG01C
	4020931405	OXIDE-MT 0.47JA 2W	D601	4072494309	DIODE FMD-G26S
	4010642106	OXIDE-MT 0.47 JA 2W	D602	4080614706	DIODE RL255
R664	4011836712	MT-GLAZE 3.3K JA 1/2W	D603	4080643508	DIODE D15SB60
R666	4011836712	MT-GLAZE 3.3K JA 1/2W	D604	4072187518	ZENER DIODE UDZS16B-TE-17
R667	4011506219	MT-GLAZE 1K JA 1/10W		4080647506	ZENER DIODE MM3Z 16B
R670	4021196308	OXIDE-MT 0.47 JA 1W	D610	4080585105	DIODE LL4148
	4020949509	OXIDE-MT 0.47 JA 1W	D611	4080585105	DIODE LL4148
	4010575216	OXIDE-MT 0.47 JA 1W	D612	4080585105	DIODE LL4148
R671	4012566014	MT-GLAZE 27K JA 1/10W	D630	4080585105	DIODE LL4148
R672	4011623718	MT-GLAZE 4.7K JA 1/10W	D631	4080585105	DIODE LL4148
R6800	4011506219	MT-GLAZE 1K JA 1/10W	D638	4080475307	ZENER DIODE MTZJ16A-52
R6801	4011506110	MT-GLAZE 2.2K JA 1/10W	D650	4072626700	PHOTO COUPLE BPC-817MC
R6802	4012655718	MT-GLAZE 8.2K FA 1/10W		4072348701	PHOTO COUPLE PC123X5YFZ
R6803	4012643715	MT-GLAZE 1.5K FA 1/10W		4072303908	PHOTO COUPLE PC123Y52
R6804	4012641919	MT-GLAZE 10K FA 1/10W	D651	4072626700	PHOTO COUPLE BPC-817MC
R6805	4011623619	MT-GLAZE 470 JA 1/10W		4072348701	PHOTO COUPLE PC123X5YFZ
R6806	4012566014	MT-GLAZE 27K JA 1/10W		4072303908	PHOTO COUPLE PC123Y52
R6807	4011623718	MT-GLAZE 4.7K JA 1/10W	D652	4072626700	PHOTO COUPLE BPC-817MC
R6809	4011623015	MT-GLAZE 22K JA 1/10W		4072348701	PHOTO COUPLE PC123X5YFZ
R681	4021102200	OXIDE-MT 0.22 JA 2W		4072303908	PHOTO COUPLE PC123Y52
R6810	4011007716	OXIDE-MT 0.22 JA 2W	D660	4072538102	DIODE RB215T-90
R6810	4011505915	MT-GLAZE 10K JA 1/10W	D662	4072538102	DIODE RB215T-90
R6811	4011506219	MT-GLAZE 1K JA 1/10W	D663	4072625208	DIODE RB085T-90
R6812	4011506219	MT-GLAZE 1K JA 1/10W	D670	4080458508	DIODE RU3YX
R6813	4011506219	MT-GLAZE 1K JA 1/10W		4080651107	DIODE RU3YX
R6814	4011506219	MT-GLAZE 1K JA 1/10W	D673	4080660505	DIODE RN1Z
R682	4012566014	MT-GLAZE 27K JA 1/10W	D680	4072625208	DIODE RB085T-90
R683	4011623718	MT-GLAZE 4.7K JA 1/10W	D6801	4080585105	DIODE LL4148
R684	4021196407	OXIDE-MT 10 JA 1W	D6802	4080585105	DIODE LL4148
	4020926302	OXIDE-MT 10 JA 1W	D6803	4080585105	DIODE LL4148
	4010581118	OXIDE-MT 10 JA 1W	D6804	4080585105	DIODE LL4148
R685	4012566014	MT-GLAZE 27K JA 1/10W	D6805	4072219615	ZENER DIODE UDZS27B-TE-17
R686	4011603314	MT-GLAZE 1.5K JA 1/4W		4080641306	ZENER DIODE MM3Z 27B
R687	4011623718	MT-GLAZE 4.7K JA 1/10W	D6806	4072219615	ZENER DIODE UDZS27B-TE-17
R688	4011623718	MT-GLAZE 4.7K JA 1/10W		4080641306	ZENER DIODE MM3Z 27B
R691	4011623619	MT-GLAZE 470 JA 1/10W	D6807	4072089713	ZD UDZS-TE-175.6B
R692	4011880418	MT-GLAZE 220 JA 1/4W		4080629700	ZENER DIODE MM3Z5V6B
R693	4011623718	MT-GLAZE 4.7K JA 1/10W			
R694	4011623015	MT-GLAZE 22K JA 1/10W			
R695	4011506219	MT-GLAZE 1K JA 1/10W			

Ref. No.	Part No.	Description	Ref. No.	Part No.	Description
D6808	4072312217	ZENER DIODE UDZS13B-TE-17	Q701	4052203115TR	ISA1235AC1E
	4080646707	ZENER DIODE MM3Z13B		4052203016TR	ISA1235AC1F
D682	4072217116	ZENER DIODE UDZS-TE-1712B		4060214308TR	MMBTSA1235F
	4080631802	ZENER DIODE MM3Z12B		4051345925TR	2SA1037AK-T146-R
D690	4072537501	DIODE RB085T-60		4051472215TR	2SA1037AK-S-T146
D691	4080585105	DIODE LL4148		4051739615TR	2SA1235A1E
				4051739714TR	2SA1235A1F
<b>MISCELLANEOUS</b>			Q702	4060214407TR	MMBTSC3928R
△F601	4240067403	FUSE 250V 5A		4050144519TR	2SC2412K T146 R
△VA601	4072254309	VARISTOR ENE621D-14A		4050144618TR	2SC2412K T146 S
	4072620609	VARISTOR MYG3-14K385		4050158724TR	2SC2812-L6-TB
				4050158922TR	2SC2812-L7-TB
<b>6103395449 ASSY,PWB, KEY, N5YV</b>				4051631612TR	2SC2812N-L6-TB0
<b>1AA0B10S2650B</b>				4051739813TR	2SC3928A1R
				4051739912TR	2SC3928A1S
<b>CAPACITOR</b>			Q703	4060214407TR	MMBTSC3928R
C1900	4040949800	CERAMIC 0.1U Z 25V		4050144519TR	2SC2412K T146 R
	4031640214	CERAMIC 0.1U Z 25V		4050144618TR	2SC2412K T146 S
				4050158724TR	2SC2812-L6-TB
				4050158922TR	2SC2812-L7-TB
<b>RESISTOR</b>				4051631612TR	2SC2812N-L6-TB0
R1900	4012563617	MT-GLAZE 15K JA 1/10W		4051739813TR	2SC3928A1R
R1901	4012563617	MT-GLAZE 15K JA 1/10W		4051739912TR	2SC3928A1S
R1902	4012560418	MT-GLAZE 12K JA 1/10W	Q704	4060214407TR	MMBTSC3928R
R1903	4012560111	MT-GLAZE 8.2K JA 1/10W		4050144519TR	2SC2412K T146 R
R1904	4012567219	MT-GLAZE 18K JA 1/10W		4050144618TR	2SC2412K T146 S
R1905	4012565314	MT-GLAZE 56K JA 1/10W		4050158724TR	2SC2812-L6-TB
R1906	4012560418	MT-GLAZE 12K JA 1/10W		4050158922TR	2SC2812-L7-TB
R1907	4012560111	MT-GLAZE 8.2K JA 1/10W		4051631612TR	2SC2812N-L6-TB0
R1908	4012567219	MT-GLAZE 18K JA 1/10W		4051739813TR	2SC3928A1R
R1909	4011506011	MT-GLAZE 0.000 ZA 1/10W		4051739912TR	2SC3928A1S
R1910	4011506011	MT-GLAZE 0.000 ZA 1/10W	Q705	4060214407TR	MMBTSC3928R
R1911	4011506011	MT-GLAZE 0.000 ZA 1/10W		4050144519TR	2SC2412K T146 R
R1912	4011506011	MT-GLAZE 0.000 ZA 1/10W		4050144618TR	2SC2412K T146 S
				4050158724TR	2SC2812-L6-TB
<b>COIL</b>				4050158922TR	2SC2812-L7-TB
L1900	6450046650	INDUCTOR,600 OHM		4051631612TR	2SC2812N-L6-TB0
				4051739813TR	2SC3928A1R
<b>DIODE</b>				4051739912TR	2SC3928A1S
ZD1900	4072065618	ZENER DIODE UDZS-TE-1710B	Q710	4052203115TR	ISA1235AC1E
	4080632403	ZENER DIODE MM3Z 10B		4052203016TR	ISA1235AC1F
ZD1901	4072065618	ZENER DIODE UDZS-TE-1710B		4060214308TR	MMBTSA1235F
	4080632403	ZENER DIODE MM3Z 10B		4051345925TR	2SA1037AK-T146-R
ZD1902	4072065618	ZENER DIODE UDZS-TE-1710B		4051472215TR	2SA1037AK-S-T146
	4080632403	ZENER DIODE MM3Z 10B		4051739615TR	2SA1235A1E
ZD1903	4072065618	ZENER DIODE UDZS-TE-1710B		4051739714TR	2SA1235A1F
	4080632403	ZENER DIODE MM3Z 10B	Q711	4052203115TR	ISA1235AC1E
ZD1904	4072065618	ZENER DIODE UDZS-TE-1710B		4052203016TR	ISA1235AC1F
	4080632403	ZENER DIODE MM3Z 10B		4060214308TR	MMBTSA1235F
ZD1905	4072065618	ZENER DIODE UDZS-TE-1710B		4051345925TR	2SA1037AK-T146-R
	4080632403	ZENER DIODE MM3Z 10B		4051472215TR	2SA1037AK-S-T146
ZD1906	4072065618	ZENER DIODE UDZS-TE-1710B		4051739615TR	2SA1235A1E
	4080632403	ZENER DIODE MM3Z 10B		4051739714TR	2SA1235A1F
<b>6103394602 ASSY,PWB,USB, N5ZW</b>			Q712	4060214407TR	MMBTSC3928R
<b>1AA0B10S26600</b>				4050144519TR	2SC2412K T146 R
				4050144618TR	2SC2412K T146 S
				4050158724TR	2SC2812-L6-TB
				4050158922TR	2SC2812-L7-TB
				4051631612TR	2SC2812N-L6-TB0
				4051739813TR	2SC3928A1R
				4051739912TR	2SC3928A1S
<b>TRANSISTOR</b>			Q713	4060214407TR	MMBTSC3928R
Q700	4060214407TR	MMBTSC3928R		4050144519TR	2SC2412K T146 R
	4050144519TR	2SC2412K T146 R		4050144618TR	2SC2412K T146 S
	4050144618TR	2SC2412K T146 S		4050158724TR	2SC2812-L6-TB
	4050158724TR	2SC2812-L6-TB		4050158922TR	2SC2812-L7-TB
	4050158922TR	2SC2812-L7-TB		4051631612TR	2SC2812N-L6-TB0
	4051631612TR	2SC2812N-L6-TB0		4051739813TR	2SC3928A1R
	4051739813TR	2SC3928A1R		4051739912TR	2SC3928A1S
	4051739912TR	2SC3928A1S		4060214407TR	MMBTSC3928R
				4050144519TR	2SC2412K T146 R
				4050144618TR	2SC2412K T146 S
				4050158724TR	2SC2812-L6-TB
				4050158922TR	2SC2812-L7-TB
				4051631612TR	2SC2812N-L6-TB0

Ref. No.	Part No.	Description	Ref. No.	Part No.	Description	
Q714	4051739813TR	2SC3928A1R	C715	4032989619	CERAMIC 0.1U K 16V	
	4051739912TR	2SC3928A1S		4041034505	CERAMIC 0.1U K 16V	
	4060214407TR	MMBTSC3928R		4040950509	CERAMIC 0.1U K 16V	
	4050144519TR	2SC2412K T146 R		4032989619	CERAMIC 0.1U K 16V	
	4050144618TR	2SC2412K T146 S		C716	4033823219	ELECT 100U M 6.3V
	4050158724TR	2SC2812-L6-TB		C717	4041034505	CERAMIC 0.1U K 16V
	4050158922TR	2SC2812-L7-TB			4040950509	CERAMIC 0.1U K 16V
	4051631612TR	2SC2812N-L6-TB0			4032989619	CERAMIC 0.1U K 16V
	4051739813TR	2SC3928A1R		C718	4041034505	CERAMIC 0.1U K 16V
	4051739912TR	2SC3928A1S			4040950509	CERAMIC 0.1U K 16V
Q715	4052027711TR	TPC8109	C719	4032989619	CERAMIC 0.1U K 16V	
				4041034505	CERAMIC 0.1U K 16V	
				4040950509	CERAMIC 0.1U K 16V	
				4032989619	CERAMIC 0.1U K 16V	
			C720	4041034505	CERAMIC 0.1U K 16V	
				4040950509	CERAMIC 0.1U K 16V	
				4032989619	CERAMIC 0.1U K 16V	
			C721	4041034505	CERAMIC 0.1U K 16V	
				4040950509	CERAMIC 0.1U K 16V	
				4032989619	CERAMIC 0.1U K 16V	
			C722	4041034505	CERAMIC 0.1U K 16V	
				4040950509	CERAMIC 0.1U K 16V	
				4032989619	CERAMIC 0.1U K 16V	
			C723	4041034505	CERAMIC 0.1U K 16V	
				4040950509	CERAMIC 0.1U K 16V	
				4032989619	CERAMIC 0.1U K 16V	
			C724	4041034505	CERAMIC 0.1U K 16V	
				4040950509	CERAMIC 0.1U K 16V	
				4032989619	CERAMIC 0.1U K 16V	
			C725	4041034505	CERAMIC 0.1U K 16V	
				4040950509	CERAMIC 0.1U K 16V	
				4032989619	CERAMIC 0.1U K 16V	
			C726	4041034505	CERAMIC 0.1U K 16V	
				4040950509	CERAMIC 0.1U K 16V	
				4032989619	CERAMIC 0.1U K 16V	
			C727	4041034505	CERAMIC 0.1U K 16V	
				4040950509	CERAMIC 0.1U K 16V	
				4032989619	CERAMIC 0.1U K 16V	
			C728	4041034505	CERAMIC 0.1U K 16V	
				4040950509	CERAMIC 0.1U K 16V	
				4032989619	CERAMIC 0.1U K 16V	
			C729	4041034505	CERAMIC 0.1U K 16V	
				4040950509	CERAMIC 0.1U K 16V	
				4032989619	CERAMIC 0.1U K 16V	
			C730	4041034505	CERAMIC 0.1U K 16V	
				4040950509	CERAMIC 0.1U K 16V	
				4032989619	CERAMIC 0.1U K 16V	
			C731	4041034505	CERAMIC 0.1U K 16V	
				4040950509	CERAMIC 0.1U K 16V	
				4032989619	CERAMIC 0.1U K 16V	
			C738	4033823219	ELECT 100U M 6.3V	
			C739	4041034505	CERAMIC 0.1U K 16V	
				4040950509	CERAMIC 0.1U K 16V	
				4032989619	CERAMIC 0.1U K 16V	
			C740	4041034505	CERAMIC 0.1U K 16V	
				4040950509	CERAMIC 0.1U K 16V	
				4032989619	CERAMIC 0.1U K 16V	
			C741	4041034505	CERAMIC 0.1U K 16V	
				4040950509	CERAMIC 0.1U K 16V	
				4032989619	CERAMIC 0.1U K 16V	
			C742	4033823219	ELECT 100U M 6.3V	
			C743	4041034505	CERAMIC 0.1U K 16V	
				4040950509	CERAMIC 0.1U K 16V	
				4032989619	CERAMIC 0.1U K 16V	
			C744	4041034505	CERAMIC 0.1U K 16V	
				4040950509	CERAMIC 0.1U K 16V	
				4032989619	CERAMIC 0.1U K 16V	

**INTEGRATED CIRCUIT**

IC700	4096889818	IC AML7213
IC701	4095587210	IC 24C02CT-I/SNG
IC702	4090397814	IC NJM4558M-TE2
IC703	4106326507	IC K4S641632K-UC60
IC703	4106239005	IC K4S641632K-UC60
IC704	4106672406	IC S29AL016D70TFI020-N5ZW
IC704A	4105707307	IC S29AL016D70TFI020
IC705	4095599015	IC AMS1117-3.3
	4096836515	IC LM1117S-3.3
IC706	4096889313	IC LM1117S-ADJ
IC708	4096553412	IC IRF7314PBF
IC709	4106163409	IC PST413A300NR

**CAPACITOR**

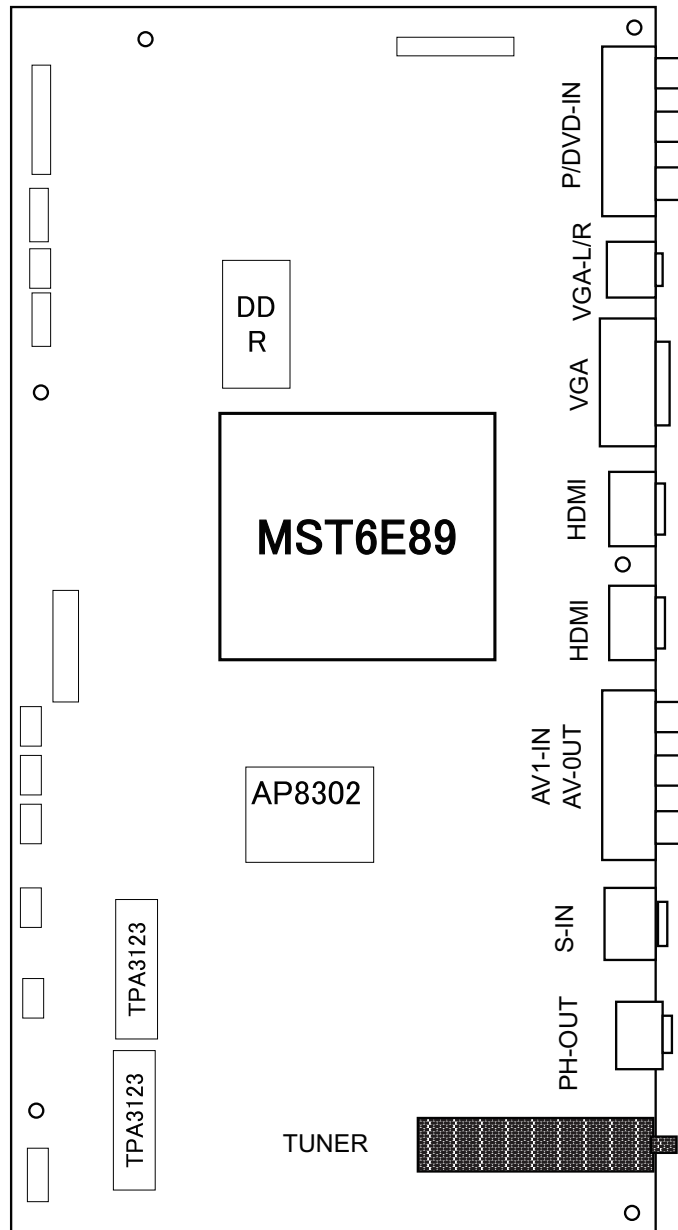
C700	4033940916	ELECT 22U M 6.3V
C701	4041032907	CERAMIC 0.01U K 50V
	4040901204	CERAMIC 0.01U K 50V
	4032152211	CERAMIC 0.01U K 50V
C702	4041032907	CERAMIC 0.01U K 50V
	4040901204	CERAMIC 0.01U K 50V
	4032152211	CERAMIC 0.01U K 50V
C703	4041047901	CERAMIC 22P J 50V
	4040947608	CERAMIC 22P J 50V
	4031459915	CERAMIC 22P J 50V
C704	4041047901	CERAMIC 22P J 50V
	4040947608	CERAMIC 22P J 50V
	4031459915	CERAMIC 22P J 50V
C705	4041040209	CERAMIC 100P J 50V
	4040946403	CERAMIC 100P J 50V
	4031573611	CERAMIC 100P J 50V
C706	4033823219	ELECT 100U M 6.3V
C707	4041034505	CERAMIC 0.1U K 16V
	4040950509	CERAMIC 0.1U K 16V
	4032989619	CERAMIC 0.1U K 16V
C708	4041034505	CERAMIC 0.1U K 16V
	4040950509	CERAMIC 0.1U K 16V
	4032989619	CERAMIC 0.1U K 16V
C709	4041034505	CERAMIC 0.1U K 16V
	4040950509	CERAMIC 0.1U K 16V
	4032989619	CERAMIC 0.1U K 16V
C710	4041034505	CERAMIC 0.1U K 16V
	4040950509	CERAMIC 0.1U K 16V
	4032989619	CERAMIC 0.1U K 16V
C711	4041034505	CERAMIC 0.1U K 16V
	4040950509	CERAMIC 0.1U K 16V
	4032989619	CERAMIC 0.1U K 16V
C712	4041034505	CERAMIC 0.1U K 16V
	4040950509	CERAMIC 0.1U K 16V
	4032989619	CERAMIC 0.1U K 16V
C713	4041034505	CERAMIC 0.1U K 16V
	4040950509	CERAMIC 0.1U K 16V
	4032989619	CERAMIC 0.1U K 16V
C714	4041034505	CERAMIC 0.1U K 16V
	4040950509	CERAMIC 0.1U K 16V

Ref. No.	Part No.	Description	Ref. No.	Part No.	Description
C745	4041034505	CERAMIC 0.1U K 16V		4040901105	CERAMIC 1000P K 50V
	4040950509	CERAMIC 0.1U K 16V	C780	4033940916	ELECT 22U M 6.3V
	4032989619	CERAMIC 0.1U K 16V	C781	4041034505	CERAMIC 0.1U K 16V
C746	4041034505	CERAMIC 0.1U K 16V		4040950509	CERAMIC 0.1U K 16V
	4040950509	CERAMIC 0.1U K 16V		4032989619	CERAMIC 0.1U K 16V
	4032989619	CERAMIC 0.1U K 16V	C783	4041034505	CERAMIC 0.1U K 16V
C748	4033823219	ELECT 100U M 6.3V		4040950509	CERAMIC 0.1U K 16V
C749	4041034505	CERAMIC 0.1U K 16V		4032989619	CERAMIC 0.1U K 16V
	4040950509	CERAMIC 0.1U K 16V	C784	4041034505	CERAMIC 0.1U K 16V
	4032989619	CERAMIC 0.1U K 16V		4040950509	CERAMIC 0.1U K 16V
C750	4041034505	CERAMIC 0.1U K 16V		4032989619	CERAMIC 0.1U K 16V
	4040950509	CERAMIC 0.1U K 16V	C785	4041034505	CERAMIC 0.1U K 16V
	4032989619	CERAMIC 0.1U K 16V		4040950509	CERAMIC 0.1U K 16V
C751	4041034505	CERAMIC 0.1U K 16V		4032989619	CERAMIC 0.1U K 16V
	4040950509	CERAMIC 0.1U K 16V	C786	4041034505	CERAMIC 0.1U K 16V
	4032989619	CERAMIC 0.1U K 16V		4040950509	CERAMIC 0.1U K 16V
C753	4033841312	ELECT 47U M 6.3V		4032989619	CERAMIC 0.1U K 16V
C754	4041034505	CERAMIC 0.1U K 16V	C787	4041034505	CERAMIC 0.1U K 16V
	4040950509	CERAMIC 0.1U K 16V		4040950509	CERAMIC 0.1U K 16V
	4032989619	CERAMIC 0.1U K 16V		4032989619	CERAMIC 0.1U K 16V
C755	4033841312	ELECT 47U M 6.3V	C788	4041034505	CERAMIC 0.1U K 16V
C756	4041034505	CERAMIC 0.1U K 16V		4040950509	CERAMIC 0.1U K 16V
	4040950509	CERAMIC 0.1U K 16V		4032989619	CERAMIC 0.1U K 16V
	4032989619	CERAMIC 0.1U K 16V	C789	4041034505	CERAMIC 0.1U K 16V
C757	4033841312	ELECT 47U M 6.3V		4040950509	CERAMIC 0.1U K 16V
C758	4041034505	CERAMIC 0.1U K 16V		4032989619	CERAMIC 0.1U K 16V
	4040950509	CERAMIC 0.1U K 16V	C790	4033823219	ELECT 100U M 6.3V
	4032989619	CERAMIC 0.1U K 16V	C791	4041034505	CERAMIC 0.1U K 16V
C759	4041040209	CERAMIC 100P J 50V		4040950509	CERAMIC 0.1U K 16V
	4040946403	CERAMIC 100P J 50V		4032989619	CERAMIC 0.1U K 16V
	4031573611	CERAMIC 100P J 50V	C792	4033823219	ELECT 100U M 6.3V
C760	4041047901	CERAMIC 22P J 50V	C793	4041034505	CERAMIC 0.1U K 16V
	4040947608	CERAMIC 22P J 50V		4040950509	CERAMIC 0.1U K 16V
	4031459915	CERAMIC 22P J 50V		4032989619	CERAMIC 0.1U K 16V
C761	4041040209	CERAMIC 100P J 50V	C794	4041034505	CERAMIC 0.1U K 16V
	4040946403	CERAMIC 100P J 50V		4040950509	CERAMIC 0.1U K 16V
	4031573611	CERAMIC 100P J 50V		4032989619	CERAMIC 0.1U K 16V
C762	4041047901	CERAMIC 22P J 50V	C795	4033823219	ELECT 100U M 6.3V
	4040947608	CERAMIC 22P J 50V	C796	4033823219	ELECT 100U M 6.3V
	4031459915	CERAMIC 22P J 50V	C797	4041034505	CERAMIC 0.1U K 16V
C763	4041040209	CERAMIC 100P J 50V		4040950509	CERAMIC 0.1U K 16V
	4040946403	CERAMIC 100P J 50V		4032989619	CERAMIC 0.1U K 16V
	4031573611	CERAMIC 100P J 50V	C798	4041034505	CERAMIC 0.1U K 16V
C764	4041047901	CERAMIC 22P J 50V		4040950509	CERAMIC 0.1U K 16V
	4040947608	CERAMIC 22P J 50V		4032989619	CERAMIC 0.1U K 16V
	4031459915	CERAMIC 22P J 50V	C799	4033823219	ELECT 100U M 6.3V
C765	4033823219	ELECT 100U M 6.3V	C800	4041034505	CERAMIC 0.1U K 16V
C766	4033823219	ELECT 100U M 6.3V		4040950509	CERAMIC 0.1U K 16V
C767	4033823219	ELECT 100U M 6.3V		4032989619	CERAMIC 0.1U K 16V
C768	4041034505	CERAMIC 0.1U K 16V	C801	4034030111	ELECT 470U M 6.3V
	4040950509	CERAMIC 0.1U K 16V	C802	4041034505	CERAMIC 0.1U K 16V
	4032989619	CERAMIC 0.1U K 16V		4040950509	CERAMIC 0.1U K 16V
C769	4033841312	ELECT 47U M 6.3V		4032989619	CERAMIC 0.1U K 16V
C770	4040944300	CERAMIC 2200P Z 50V	C803	4033823219	ELECT 100U M 6.3V
	4031737518	CERAMIC 2200P Z 50V	C804	4041034505	CERAMIC 0.1U K 16V
C771	4033940916	ELECT 22U M 6.3V		4040950509	CERAMIC 0.1U K 16V
C772	4041040605	CERAMIC 120P J 50V		4032989619	CERAMIC 0.1U K 16V
	4040946809	CERAMIC 120P J 50V	C805	4033823219	ELECT 100U M 6.3V
C774	4033940916	ELECT 22U M 6.3V	C806	4041034505	CERAMIC 0.1U K 16V
C775	4041032402	CERAMIC 1000P K 50V		4040950509	CERAMIC 0.1U K 16V
	4040901105	CERAMIC 1000P K 50V		4032989619	CERAMIC 0.1U K 16V
C776	4041040605	CERAMIC 120P J 50V	C807	4041034505	CERAMIC 0.1U K 16V
	4040946809	CERAMIC 120P J 50V		4040950509	CERAMIC 0.1U K 16V
C777	4033940916	ELECT 22U M 6.3V		4032989619	CERAMIC 0.1U K 16V
C778	4040944300	CERAMIC 2200P Z 50V	C810	4041034505	CERAMIC 0.1U K 16V
	4031737518	CERAMIC 2200P Z 50V		4040950509	CERAMIC 0.1U K 16V
C779	4041032402	CERAMIC 1000P K 50V		4032989619	CERAMIC 0.1U K 16V

Ref. No.	Part No.	Description	Ref. No.	Part No.	Description
C811	4034028118	ELECT 220U M 6.3V	R748	4011623718	MT-GLAZE 4.7K JA 1/10W
C812	4041034505	CERAMIC 0.1U K 16V	R749	4011623718	MT-GLAZE 4.7K JA 1/10W
	4040950509	CERAMIC 0.1U K 16V	R750	4011623718	MT-GLAZE 4.7K JA 1/10W
	4032989619	CERAMIC 0.1U K 16V	R751	4011505915	MT-GLAZE 10K JA 1/10W
C813	4033831115	ELECT 4.7U M 25V	R752	4011623718	MT-GLAZE 4.7K JA 1/10W
C814	4033942712	ELECT 1U M 50V	R753	4011623718	MT-GLAZE 4.7K JA 1/10W
C815	4041034505	CERAMIC 0.1U K 16V	R754	4011505915	MT-GLAZE 10K JA 1/10W
	4040950509	CERAMIC 0.1U K 16V	R756	4012567318	MT-GLAZE 6.8K JA 1/10W
	4032989619	CERAMIC 0.1U K 16V	R758	4011506219	MT-GLAZE 1K JA 1/10W
C817	4041034505	CERAMIC 0.1U K 16V	R759	4011623718	MT-GLAZE 4.7K JA 1/10W
	4040950509	CERAMIC 0.1U K 16V	R760	4011623718	MT-GLAZE 4.7K JA 1/10W
	4032989619	CERAMIC 0.1U K 16V	R761	4011050019	MT-GLAZE 1K JA 1/2W
			R762	4011506219	MT-GLAZE 1K JA 1/10W
<b>RESISTOR</b>			R763	4011623718	MT-GLAZE 4.7K JA 1/10W
RB700	6450370663	R-NETWORK 22X4 0.063W	R764	4011623718	MT-GLAZE 4.7K JA 1/10W
	6520019836	R-NETWORK 22X4 0.063W	R773	4011506011	MT-GLAZE 0.000 ZA 1/10W
	6520020016	R-NETWORK 22X4 0.063W	R774	4011506011	MT-GLAZE 0.000 ZA 1/10W
R517	4011505816	MT-GLAZE 100K JA 1/10W	R775	4011506011	MT-GLAZE 0.000 ZA 1/10W
R518	4011506011	MT-GLAZE 0.000 ZA 1/10W	R776	4011506011	MT-GLAZE 0.000 ZA 1/10W
R520	4011505816	MT-GLAZE 100K JA 1/10W	R777	4011506011	MT-GLAZE 0.000 ZA 1/10W
R521	4011506011	MT-GLAZE 0.000 ZA 1/10W	R778	4011505816	MT-GLAZE 100K JA 1/10W
R700	4012644613	MT-GLAZE 180 FA 1/10W	R779	4012764717	MT-GLAZE 0.000 ZA 1/3W
R701	4012559016	MT-GLAZE 82 JA 1/10W	R780	4012764717	MT-GLAZE 0.000 ZA 1/3W
R702	4011505816	MT-GLAZE 100K JA 1/10W	R781	4012764717	MT-GLAZE 0.000 ZA 1/3W
R703	4012641919	MT-GLAZE 10K FA 1/10W	R782	4012764717	MT-GLAZE 0.000 ZA 1/3W
R704	4012649311	MT-GLAZE 3.3K FA 1/10W	R783	4011505915	MT-GLAZE 10K JA 1/10W
R705	4012644613	MT-GLAZE 180 FA 1/10W	R785	4012764717	MT-GLAZE 0.000 ZA 1/3W
R707	4012649311	MT-GLAZE 3.3K FA 1/10W	R796	4011506011	MT-GLAZE 0.000 ZA 1/10W
R708	4012644613	MT-GLAZE 180 FA 1/10W	R797	4012645917	MT-GLAZE 200 FA 1/10W
R709	4011505915	MT-GLAZE 10K JA 1/10W	R798	4011506011	MT-GLAZE 0.000 ZA 1/10W
R710	4012556510	MT-GLAZE 100 JA 1/10W	R799	4012648819	MT-GLAZE 3K FA 1/10W
R711	4011505915	MT-GLAZE 10K JA 1/10W			
R712	4011505915	MT-GLAZE 10K JA 1/10W	<b>COIL</b>		
R714	4011505915	MT-GLAZE 10K JA 1/10W	L700	6450363894	INDUCTOR, 220 OHM
R715	4011505915	MT-GLAZE 10K JA 1/10W		6520016989	INDUCTOR, 220 OHM
R716	4011623718	MT-GLAZE 4.7K JA 1/10W	L701	6450363894	INDUCTOR, 220 OHM
R717	4011623718	MT-GLAZE 4.7K JA 1/10W		6520016989	INDUCTOR, 220 OHM
R718	4011623718	MT-GLAZE 4.7K JA 1/10W	L702	6450363894	INDUCTOR, 220 OHM
R719	4011623718	MT-GLAZE 4.7K JA 1/10W		6520016989	INDUCTOR, 220 OHM
R720	4011623718	MT-GLAZE 4.7K JA 1/10W	L703	6450363894	INDUCTOR, 220 OHM
R721	4011623718	MT-GLAZE 4.7K JA 1/10W		6520016989	INDUCTOR, 220 OHM
R722	4012562719	MT-GLAZE 75 JA 1/10W	L704	6450363894	INDUCTOR, 220 OHM
R723	4012562719	MT-GLAZE 75 JA 1/10W		6520016989	INDUCTOR, 220 OHM
R724	4012562719	MT-GLAZE 75 JA 1/10W	L705	6450363894	INDUCTOR, 220 OHM
R725	4011505915	MT-GLAZE 10K JA 1/10W		6520016989	INDUCTOR, 220 OHM
R726	4011505915	MT-GLAZE 10K JA 1/10W	L706	6450363894	INDUCTOR, 220 OHM
R727	4012561712	MT-GLAZE 33K JA 1/10W		6520016989	INDUCTOR, 220 OHM
R728	4011505816	MT-GLAZE 100K JA 1/10W	L707	6450025082	INDUCTOR, 0.22U M
R729	4011506219	MT-GLAZE 1K JA 1/10W		6520025394	INDUCTOR 0.22UH
R730	4011506219	MT-GLAZE 1K JA 1/10W	L708	6450025082	INDUCTOR, 0.22U M
R731	4011623718	MT-GLAZE 4.7K JA 1/10W		6520025394	INDUCTOR 0.22UH
R732	4011623718	MT-GLAZE 4.7K JA 1/10W	L709	6450025082	INDUCTOR, 0.22U M
R733	4012567318	MT-GLAZE 6.8K JA 1/10W		6520025394	INDUCTOR 0.22UH
R734	4011506219	MT-GLAZE 1K JA 1/10W	L710	6450363894	INDUCTOR, 220 OHM
R735	4012561712	MT-GLAZE 33K JA 1/10W		6520016989	INDUCTOR, 220 OHM
R736	4012561712	MT-GLAZE 33K JA 1/10W	L711	6450363894	INDUCTOR, 220 OHM
R737	4011523216	MT-GLAZE 330 JA 1/10W		6520016989	INDUCTOR, 220 OHM
R738	4011505915	MT-GLAZE 10K JA 1/10W	L712	6450363894	INDUCTOR, 220 OHM
R739	4011505915	MT-GLAZE 10K JA 1/10W		6520016989	INDUCTOR, 220 OHM
R740	4011505915	MT-GLAZE 10K JA 1/10W	L713	6450363894	INDUCTOR, 220 OHM
R741	4011506219	MT-GLAZE 1K JA 1/10W		6520016989	INDUCTOR, 220 OHM
R742	4011505915	MT-GLAZE 10K JA 1/10W	L714	6450363894	INDUCTOR, 220 OHM
R743	4011505915	MT-GLAZE 10K JA 1/10W		6520016989	INDUCTOR, 220 OHM
R744	4011505915	MT-GLAZE 10K JA 1/10W	L715	6450363894	INDUCTOR, 220 OHM
R745	4011523216	MT-GLAZE 330 JA 1/10W		6520016989	INDUCTOR, 220 OHM
R746	4011506219	MT-GLAZE 1K JA 1/10W			
R747	4012558712	MT-GLAZE 22 JA 1/10W			

Ref. No.	Part No.	Description	Ref. No.	Part No.	Description
<b>DIODE</b>					
D702	4080627201	DIODE 1SS35			
	4071630411	DIODE 1SS352-(TPH3)			
	4071490817	DIODE 1SS355-TE-17			
D703	4080627201	DIODE 1SS35			
	4071630411	DIODE 1SS352-(TPH3)			
	4071490817	DIODE 1SS355-TE-17			
D704	4080627201	DIODE 1SS35			
	4071630411	DIODE 1SS352-(TPH3)			
	4071490817	DIODE 1SS355-TE-17			
D705	4080627201	DIODE 1SS35			
	4071630411	DIODE 1SS352-(TPH3)			
	4071490817	DIODE 1SS355-TE-17			
D706	4080627201	DIODE 1SS35			
	4071630411	DIODE 1SS352-(TPH3)			
	4071490817	DIODE 1SS355-TE-17			
D707	4080627201	DIODE 1SS35			
	4071630411	DIODE 1SS352-(TPH3)			
	4071490817	DIODE 1SS355-TE-17			
D708	4080627201	DIODE 1SS35			
	4071630411	DIODE 1SS352-(TPH3)			
	4071490817	DIODE 1SS355-TE-17			
D709	4080627201	DIODE 1SS35			
	4071630411	DIODE 1SS352-(TPH3)			
	4071490817	DIODE 1SS355-TE-17			
D710	4071496324	DIODE SFPB-54V			
D711	4071496324	DIODE SFPB-54V			
D803	4072065519	ZD UDZS-TE-179.1B			
	4080641108	ZENER DIODE MM3Z9V1B			
D806	4072065519	ZD UDZS-TE-179.1B			
	4080641108	ZENER DIODE MM3Z9V1B			
<b>MISCELLANEOUS</b>					
K701	6520024540	SOCKET,USB 4P			
K702	6520024618	SOCKET,USB 5P			
X700	6450292514	OSC,CRYSTAL 27.0MHZ			
	6520024892	OSC,CRYSTAL27.000MHZ			

# PCB ASSEMBLE

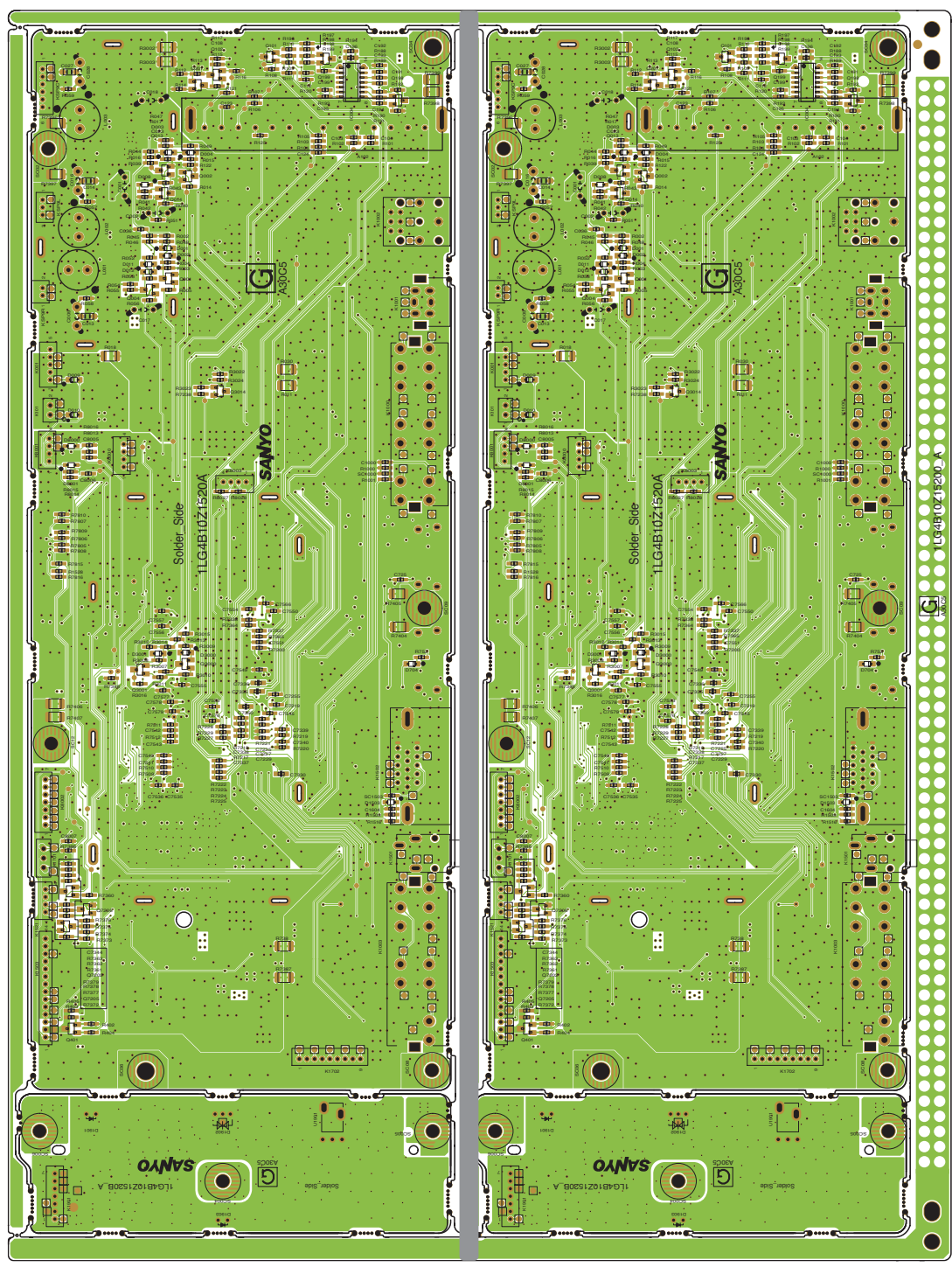






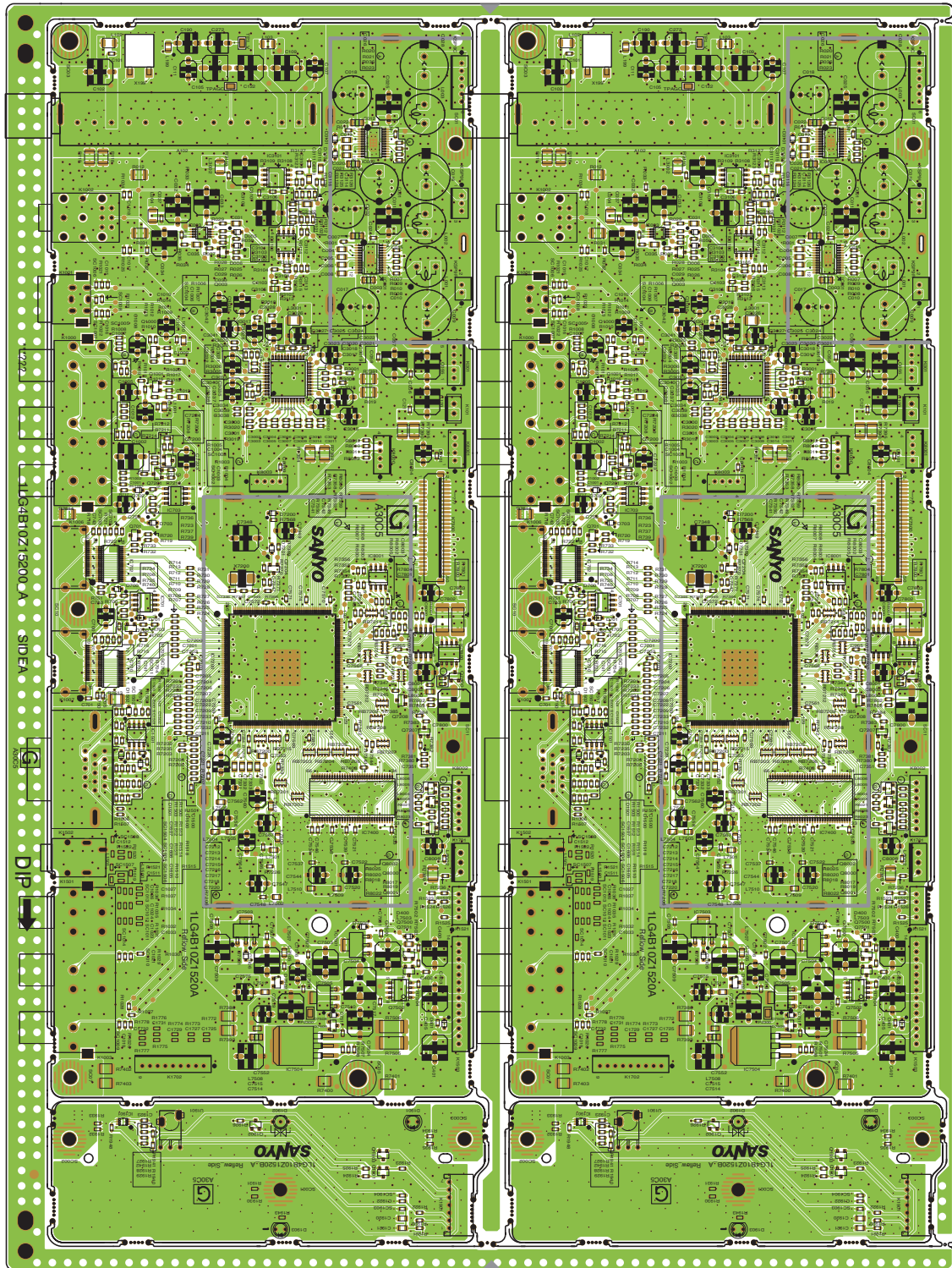
# Printed Wiring Board

## MAIN BOARD (Solder Side)



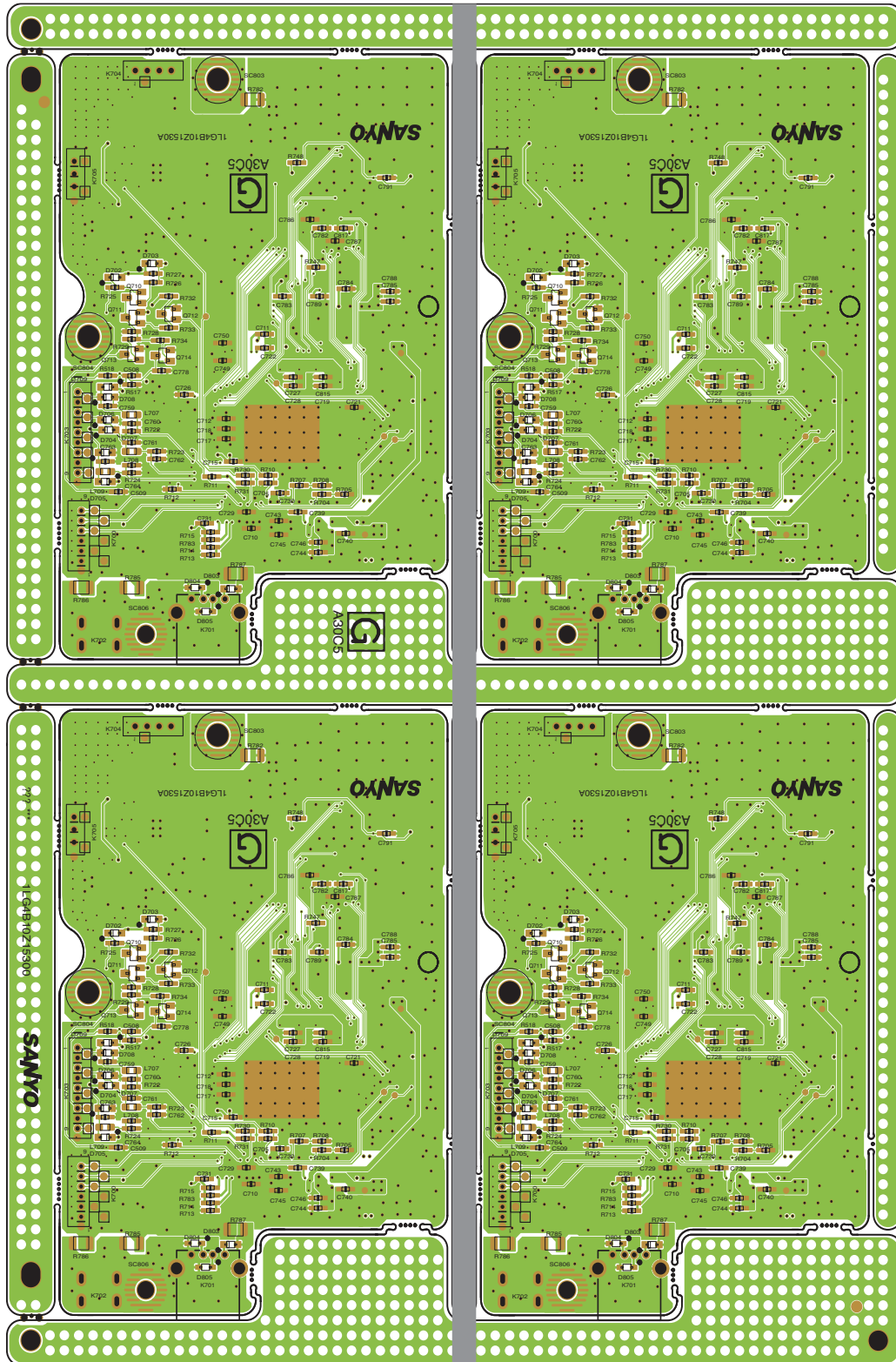
# Printed Wiring Board

## MAIN BOARD (Part Side)



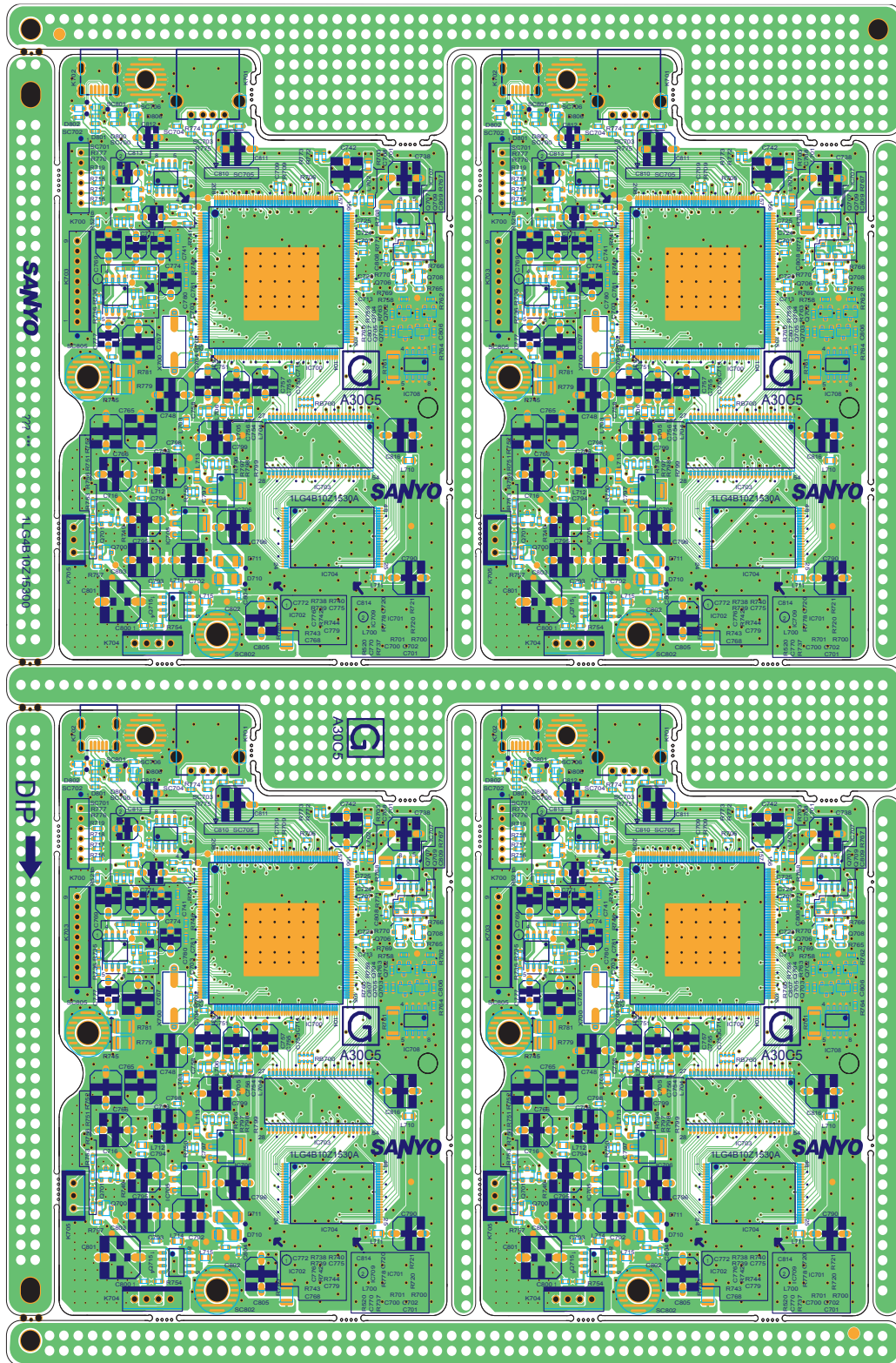
# Printed Wiring Board

## USB BOARD (Solder Side)



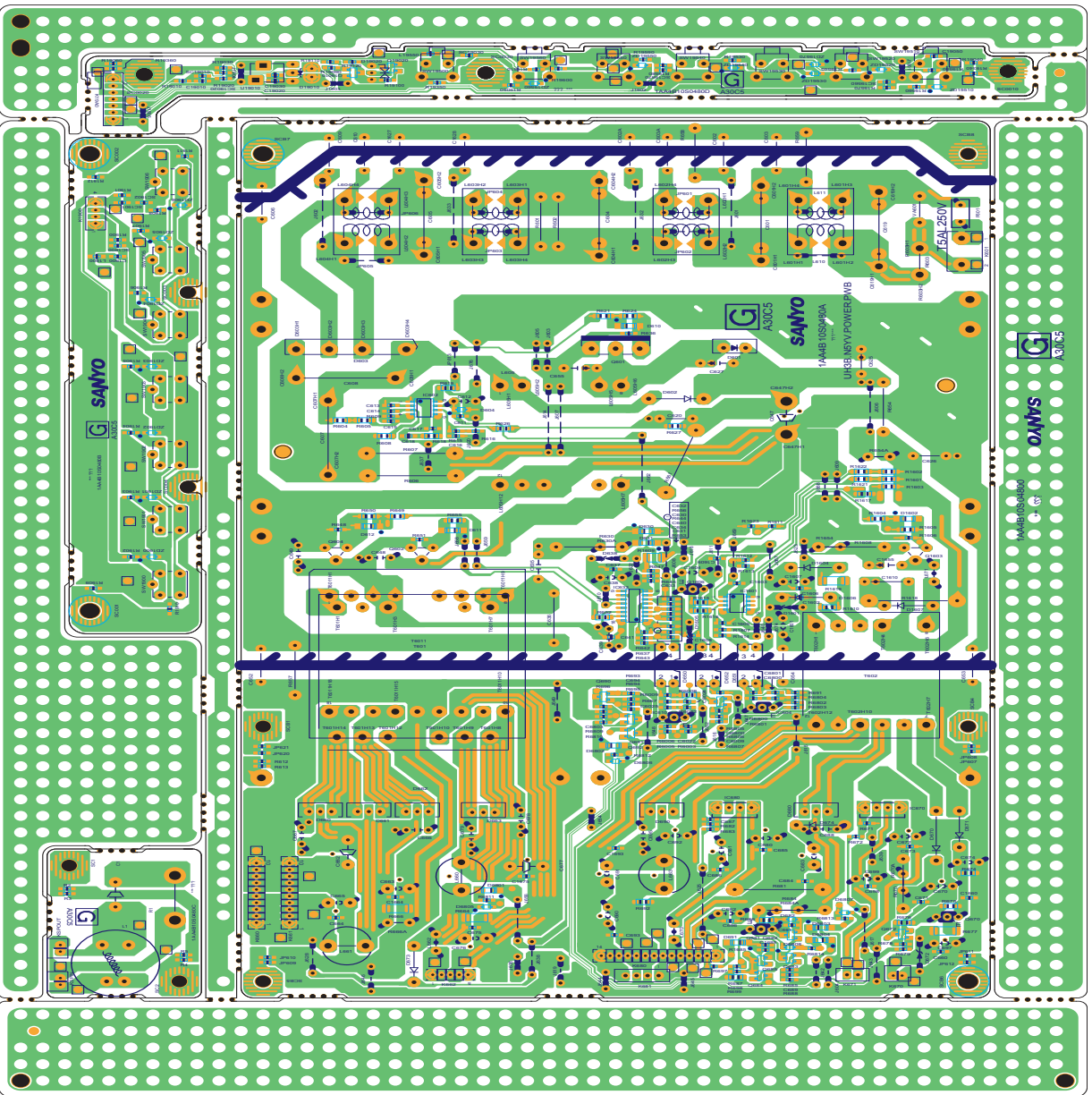
# Printed Wiring Board

## USB BOARD (Part Side)



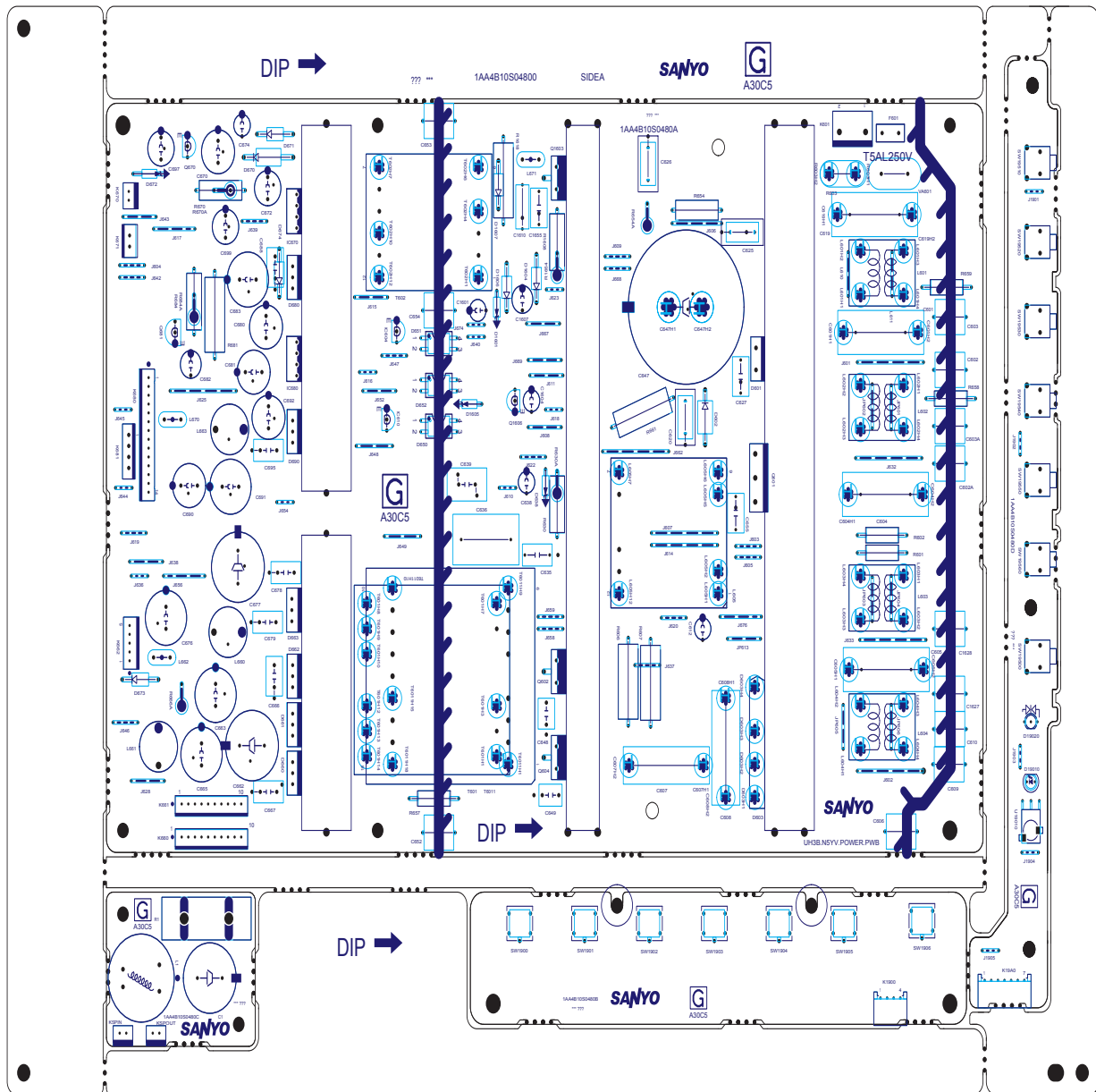
# Printed Wiring Board

POWER BOARD (Solder Side)

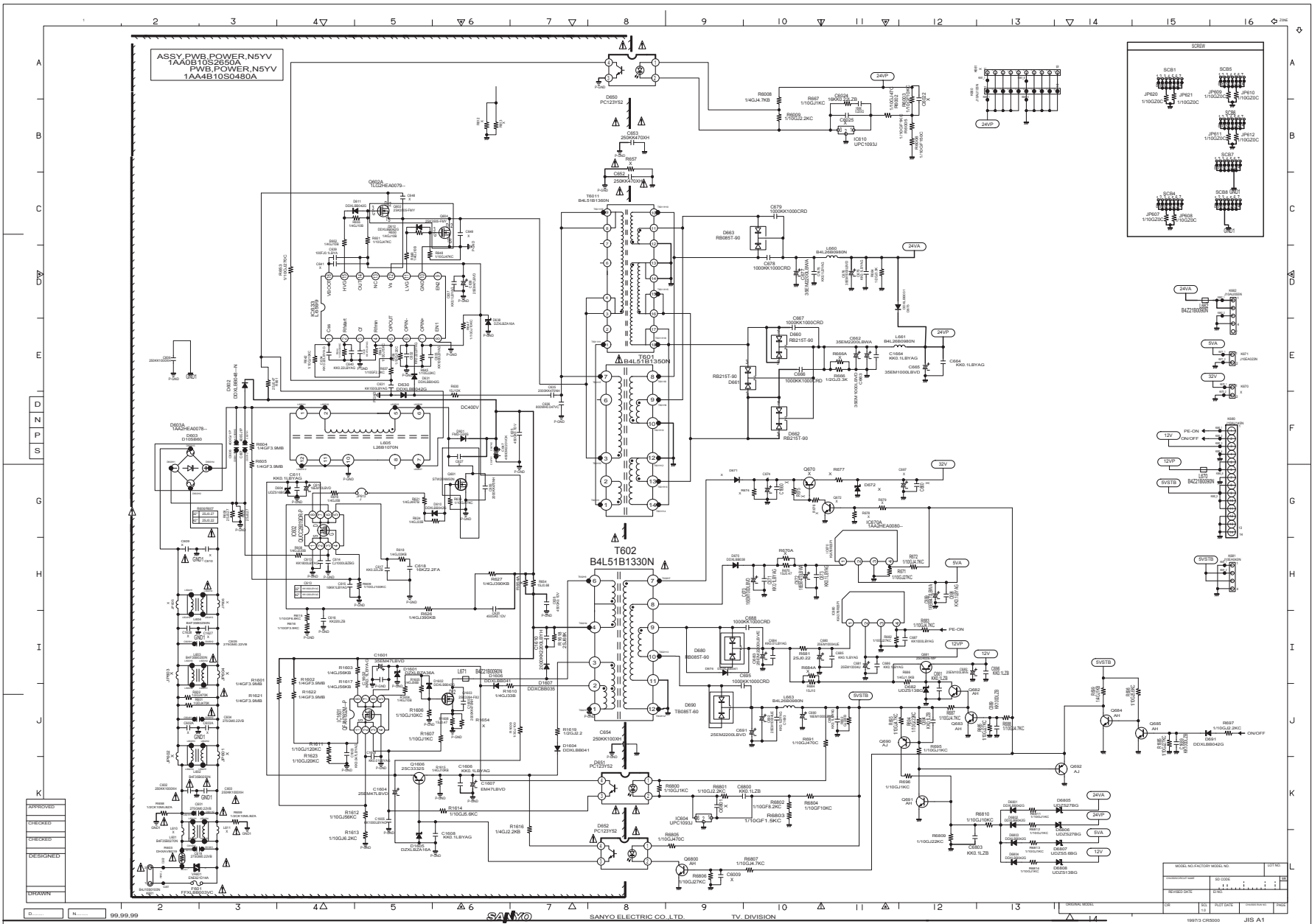


# Printed Wiring Board

## POWER BOARD (Part Side)



# Schematic Diagram



- APPROVED
- CHECKED
- CHECKED
- DESIGNED
- DRAWN

71

D. 90.09.99

SANYO

SANYO ELECTRIC CO., LTD. TV DIVISION

MODEL NO. (FACTORY MODEL NO.)	107160
NO. OF SHEETS	10
DATE	90.09.99
DESIGNED BY	Y. S. YAMAGUCHI
CHECKED BY	T. YAMAGUCHI
DRAWN BY	T. YAMAGUCHI
DATE	90.09.99
NO.	107160

10713 C00000 JIS A1

# Schematic Diagram

