



COOL AIR ANYWHERE

DUCTLESS MINI-SPLIT AC H SERIES

USER MANUAL



Models: (R32 Refrigerant)

H12TT1(1 Ton, 18.0 SEER2), H12TT2(1 Ton, 20.0 SEER2),
H18TT2(1.5 Ton, 21.0 SEER2), H24TT2(2 Ton, 19.5 SEER2)

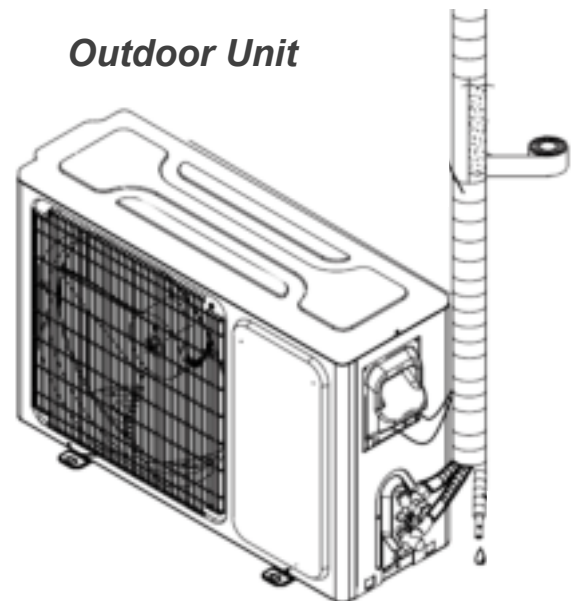
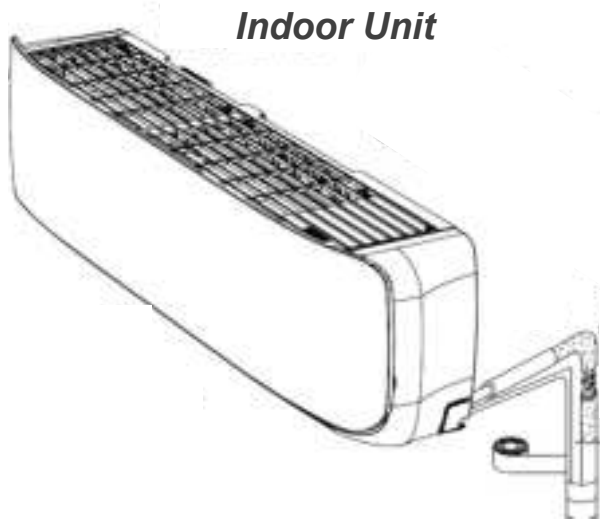
Models: (R454B Refrigerant)

H12FB1(1 Ton, 22.0 SEER2), H18FB2(1.5 Ton, 21.0 SEER2),
H24FB2(2 Ton, 22.5 SEER2)

Please read and keep these instructions for future reference.

Table Of Contents

1) Safety Precautions	
1.1 Product Use Warnings/Cautions.....	1
1.2 Cleaning & Maintenance Warnings.....	1
2) Specifications/Performance.....	2
3) Care & Maintenance.....	2, 3
4) General Troubleshooting.....	4
5) Troubleshooting: Error Code Table	
5.1 Error Code Table: Indoor Unit.....	5
5.2 Error Code Table LED: Outdoor Unit.....	6
6) Parts Illustration.....	7
7) Online Support.....	7
8) Warranty.....	8



Safety Precautions: 1.1 Product Use Warnings/Cautions

Read Before Performing Maintenance Or Troubleshooting. Failure to do so may cause serious damage or injury.

⚠ WARNING Warnings indicate that ignoring the instructions may lead to serious injury or death.

If any abnormal situations (burning odor, etc) arise, immediately turn off the unit and shut off the circuit breaker. Contact your installer or electrician for instructions on how to avoid electrical shock, fire or other injuries.

Do not insert fingers or other objects into air inlet or outlet. This may cause injury from the rotating fan or cause damage to internal components.

Do not use flammable sprays (hairspray, lacquer, paint, etc) near the unit as it may cause fire or combustion.

Do not operate air conditioner in areas near combustible gases which could lead to an explosion.

Do not operate in high humidity space (bathroom, laundry room) as it may lead to electrical shock or internal component corrosion.

Do not directly expose your body to prolonged periods of cool air.

⚠ CAUTION Cautions indicate that ignoring the instructions may lead to moderate injury to nearby persons or damage to the appliance or other property.

If the air conditioner is used concurrently with burners or other heating devices, thoroughly ventilate the room to avoid oxygen deficiency.

If you are not using the unit for long periods of time, turn off the air conditioner and breaker.

Turn off the breaker during lightning or strong storms.

Be sure condensate water drains out of the unit without obstructions.

Do not operate with wet hands as it may cause electrical shock.

Do not use this unit for anything other than what it is designed for—indoor environmental comfort.

Do not place objects on or stand on outdoor unit.

Do not allow air conditioner to operate for long periods of time with doors and/or windows open or if the outdoor humidity level is high. This can lead to condensate water to accumulate at or near the unit.

Safety Precautions: 1.2 Care & Maintenance Warnings

⚠ WARNING Warnings indicate that ignoring the instructions may lead to serious injury or death.

Turn off device and breaker before cleaning. Failure to do so can cause electrical shock.

Do not use excess amounts of water to clean unit.

Do not use combustible cleaning agents. Harsh chemicals can result in fire or unit damage.

Specifications/Performance: 2.0

Specifications	H12FB1 (1 Ton)	H12TT1 (1 Ton)	H12TT2 (1 Ton)	H18FB2 (1.5 Ton)	H18TT2 (1.5 Ton)	H24FB2 (2 Ton)	H24TT2 (2 Ton)
Cooling Capacity	12000 BTU/hr	12000 BTU/hr	12000 BTU/hr	18000 BTU/hr	18000 BTU/hr	24000 BTU/hr	24000 BTU/hr
SEER2	22.0	18.0	20.0	21.0	21.0	22.5	19.5
Refrigerant Type	R454B	R32	R32	R454B	R32	R454B	R32
Heating Capacity	12000 BTU/hr	12000 BTU/hr	12000 BTU/hr	18000 BTU/hr	18000 BTU/hr	24000 BTU/hr	24000 BTU/hr
COP2 For Heating	3.66	3.40	3.50	3.61	3.91	3.35	3.30
Voltage	115	115	230	230	230	230	230
Frequency	60	60	60	60	60	60	60
Phase	1	1	1	1	1	1	1
Rated Current Cooling	8.8 Amps	10.7 Amps	4.8 Amps	6.1 Amps	6.4 Amps	8.7 Amps	10.0 Amps
Rated Current Heating	8.6 Amps	9.5 Amps	4.5 Amps	6.5 Amps	8.1 Amps	9.3 Amps	9.5 Amps
Air Flow Indoor Unit (CFM)	365	365	365	648	648	707	707
Indoor Unit Decibels	42	42	42	48	48	50	50
Outdoor Unit Decibels	53	53	53	58	56	61	60

User Care & Maintenance: 3.0

⚠️ Disconnect power supply before cleaning or maintenance.

Cleaning Your Indoor Unit:

Use only soft, dry cloths to wipe the unit clean. If unit is extremely dirty, use a cloth soaked in warm water.

Do not use chemicals or solvents to clean the unit.

Do not use water hotter than 104° F as it may cause discoloration or deforming of the panel.

Cleaning The Air Filter:

A dirty or clogged air conditioner can decrease the cooling efficiency of your unit. It is recommended to clean your air filters every 2 weeks or 200 hours of use.

Disconnect unit from power source (turn off breaker) prior to opening front cover to access pads. Lift up front panel from lower corners to swing cover up. **Fig. 3**

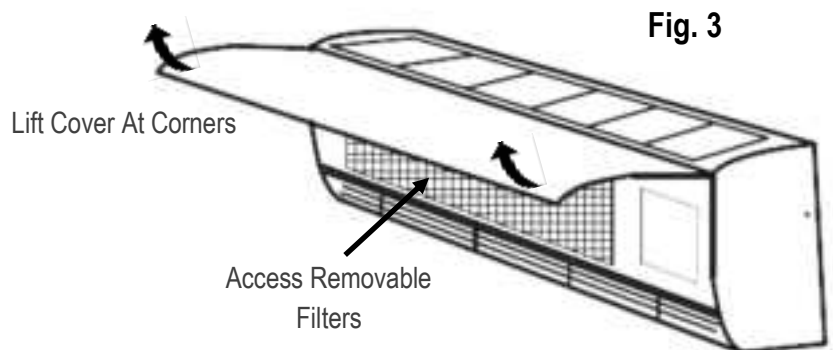
Gently remove air filters from indoor unit.

Clean filters with warm soapy water.

Use a mild detergent.

Rinse with fresh water, dry completely.

Replace filters and close cover.



User Care & Maintenance Continued:

Cleaning & Maintenance Of Outdoor Unit:

Any maintenance needing to be done regarding the outdoor unit should be done by a certified or qualified person.

Inspect outdoor unit for any build up of leaves or other clutter and remove from surrounding area as needed.

Note: Do not clean near outdoor unit while it is running. Disconnect power prior to cleaning.

Maintenance - Storage & Inspection:

When not in use for long periods of time:

- Clean and dry filters completely
- Disconnect from power source (turn off breaker)
- Remove battery from remote controller

When starting up after long periods of non use:

- Check for damaged wires
- Clean and dry filters completely
- Install remote controller batteries
- Check for leaks
- Make sure nothing is blocking any air intake or outlets

Helpful Operating Tips: **Relaxing Room Temperature At Night:** During night time hours, try using sleep mode to gradually relax the room temperature and allow the unit to run less which results in saving energy.

Curtains & Shades: In the summer, blocking the effects of the sun can significantly help with cooling costs. If possible, close shades/curtains in any areas that may get direct sunlight. In the winter months, open curtains & shades to allow solar heat into your living areas.

Close Doors: If possible, confine cooling and heating to living areas by closing doors to limit the space you are cooling or heating to the specified capability of the unit.

Clear Around Outdoor Unit: Keeping the area around the outdoor unit free of leaves and debris will greatly help with operating efficiencies. It may also be necessary to hose off the unit to free the coil fins of debris—which could make the unit work harder.

Rearrange The Room: Furniture that obstructs airflow means you could be heating and cooling objects instead of the actual living space. Remove or rearrange obstacles blocking airflow. Use the swing louvers to help direct airflow in the right direction.

Try 75 Degrees: 75°F is a good point for an air conditioner to run at its optimal performance level. Even a 1 degree change in the temperature setting can result in more energy use.

Lighting: Turning off unnecessary lights can help reduce heat. Each light gives off significant heat. Your air conditioner will waste energy overcoming the heat from your lights in order to reach and hold the desired room temperature.

When Away From Home: If possible, while you are away from home, turn your unit to auto mode and make sure windows and shades are closed. Although the room temp may be slightly uncomfortable when returning home, the unit will have the room back to the desired temperature in a short period of time.

Use Of The Fan: It will be more energy efficient to use the fan on a lower, more quiet setting than to run at full speed—when possible.

Troubleshooting: 4.0



If any of the following conditions occur, turn off unit and breaker immediately.

- Power wires are damaged or visibly worn
- You smell a burning odor or see smoke
- The unit makes a loud or abnormal sound
- The unit is tripping the circuit breaker
- Water or other objects get inside indoor unit or are coming out of indoor unit



Do not attempt to fix the above issues yourself. Contact qualified person(s) for repair and/or reading the outdoor LED display while compressor is running.

Issue	Possible Causes	Solution
Unit does not run	Circuit breaker may be tripped or shut off	Reset circuit breaker
	Batteries in remote control may be dead	Change remote batteries
	Power failure	Wait for power to return
Emits peculiar odor	Odor may be coming from outside source not related to unit	Verify odor source is external
	Filters may need to be cleaned	Clean filters
Emits light mist	Can be formed in high humidity areas where there is a large difference between the room's air and the conditioned air	Will go away as unit runs
Emits noises	May be expansion & contracting due to change in temperature	Normal function
	May be caused by refrigerant gas flowing through the unit	Normal function
Poor cooling performance	Temperature setting may be higher than ambient temperature	Adjust temperature setting
	Air filters are dirty and may need to be cleaned	Clean filters
	Air inlets or outlets may be obstructed	Remove obstructions
	Shades or curtains are allowing too much solar heat in	Close shades or curtains
	Doors or windows may be open	Close doors or windows
	Too many sources of heat in room: lights, electronics, people, etc	Turn off unnecessary electronics, lights
Poor heating performance	Low refrigerant due to leak or long term use	Contact installer for recharge
	Outdoor temperature is extremely low	Use separate auxiliary heater as needed
	Cold air is entering through doors or windows	Close all doors and windows
Unit starts & stops frequently	Low refrigerant due to leak or long term use	Contact installer for recharge
	Too much or too little refrigerant in system	Contact installer for recharge
	Excess moisture has entered the system	Contact installer for service
	Compressor has failed	Replace compressor
	Voltage is too low or too high	Contact power company or local electrician

Error Code Table: 5.1

Finding error code: Press the remote control sleep button 10 times. Wait to hear “beep” between each press of the button. If the indoor unit does not display an error code, repeat button pressing 10 times. If the unit does not show an error code after several tries, see LED display 1,2,3 on the outdoor to diagnose issues.

ERROR CODE KEY: Solid On = ★ Flashing = ○ Off = X



Disconnect power before servicing.

Error Code	Sleep	Timer	Running	Issue	Possible Cause	Remedy
0				Normal		
1	○	★	★	Outdoor coil temp sensor warning	Sensor loose / bad connection	Ensure sensor connection is secure to board
					Sensor is defective	Replace outdoor temp sensor
					Indoor control board defective	Replace indoor control board
2	○	★	X	Outdoor unit overheating. (compressor exhaust temp sensor warning)	Refrigerant is low	Check for refrigerant leak, add refrigerant to specs
					Sensor loose / bad connection	Ensure temp sensor connection is not loose
					Sensor is defective	Replace compressor exhaust temp sensor
					Outdoor control board defective	Replace outdoor control board
5	★	○	X	Outdoor control board not working	Failed control board	Replace outdoor control board.
6	X	○	X	AC Voltage too high or too low	Supply voltage is higher or lower than normal	Check voltage from breaker box. If too high or too low, correct voltage variance.
7	★	★	X	Communication issue (between units)	Connections don't match up between units	Ensure wiring between units match diagram and is not nicked <u>or</u> cut
					Cable is loose	Tighten connections securely
10	★	X	X	Communication issue (driver)	Connections don't match up between units	Ensure wiring between units match diagram and is not nicked <u>or</u> cut
					Cable is loose	Tighten connections securely
					Faulty outdoor control board	Replace outdoor unit control board
11	○	X	X	Outdoor EEPROM issue	Faulty outdoor control board	Replace outdoor unit control board
13	○	X	★	Compressor exhaust temp too high	Refrigerant is low	Check for leaks, add refrigerant to specs, ensure coil is clean
					Temp sensor failed	Replace temp sensor
14	★	★	○	Outdoor ambient temp sensor issue	Temp sensor failed	Replace temp sensor
15	X	○	★	Compressor shell temp too high	Refrigerant is low	Check for leaks, add refrigerant to specs, ensure coil is clean
					Temp sensor failed	Replace temp sensor
16	★	X	★	Refrigerant temp issue	Refrigerant is low	Check for leaks, add refrigerant to specs, ensure coil is clean
17	X	★	X	Outdoor control board failure	Failed control board	Replace outdoor control board
18	X	★	★	Compressor start failure	Outdoor control board defective	Replace control board
					Compressor defective	Replace compressor
19	X	★	○	Compressor drive issue	Outdoor drive board failed	Replace outdoor drive board
					Compressor defective	Replace compressor
					Outdoor control board defective	Replace control board
20	★	X	○	Outdoor fan motor failed	Motor connection wire loose	Ensure wires are securely connected and not nicked <u>or</u> cut
					Motor failed	Replace motor
					Outdoor control board defective	Replace control board

Error Code Table: 5.1 Continued

Error Code	Sleep	Timer	Running	Issue	Possible Cause	Remedy
21	X	X	○	Outdoor coil issue	Too much refrigerant	Check refrigerant level, adjust to specs
					Outdoor fan motor defective	Replace fan motor
					Outdoor unit dirty	Check filters for debris, clean if needed
33	★	○	○	Indoor temp sensor Issue	Indoor temp sensor loose	Ensure sensor connection is secure to board
					Indoor temp sensor defective	Replace temp sensor
					Indoor control board defective	Replace indoor control board
34	X	○	○	Indoor coil temp sensor failure	Indoor coil sensor loose	Ensure sensor connection is secure to board
					Indoor coil sensor defective	Replace temp sensor
					Indoor control board defective	Replace indoor control board
36	○	★	○	Communication issue (between units)	Connections don't match up between units	Ensure wiring between units match diagram and is not nicked <u>or</u> cut
					Cable is loose	Tighten connections securely to unit
38	○	○	X	Indoor EEPROM issue	Indoor EEPROM chip loose	Secure chip in place
					Indoor control board defective	Replace indoor control board
39	○	○	★	Indoor fan motor runs abnormally	Motor cord connection loose	Securely tighten if possible
					Motor failed	Replace motor
					Indoor control board defective	Replace indoor control board
41	X	X	★	Indoor grounding issue	Indoor control board defective	Replace indoor control board

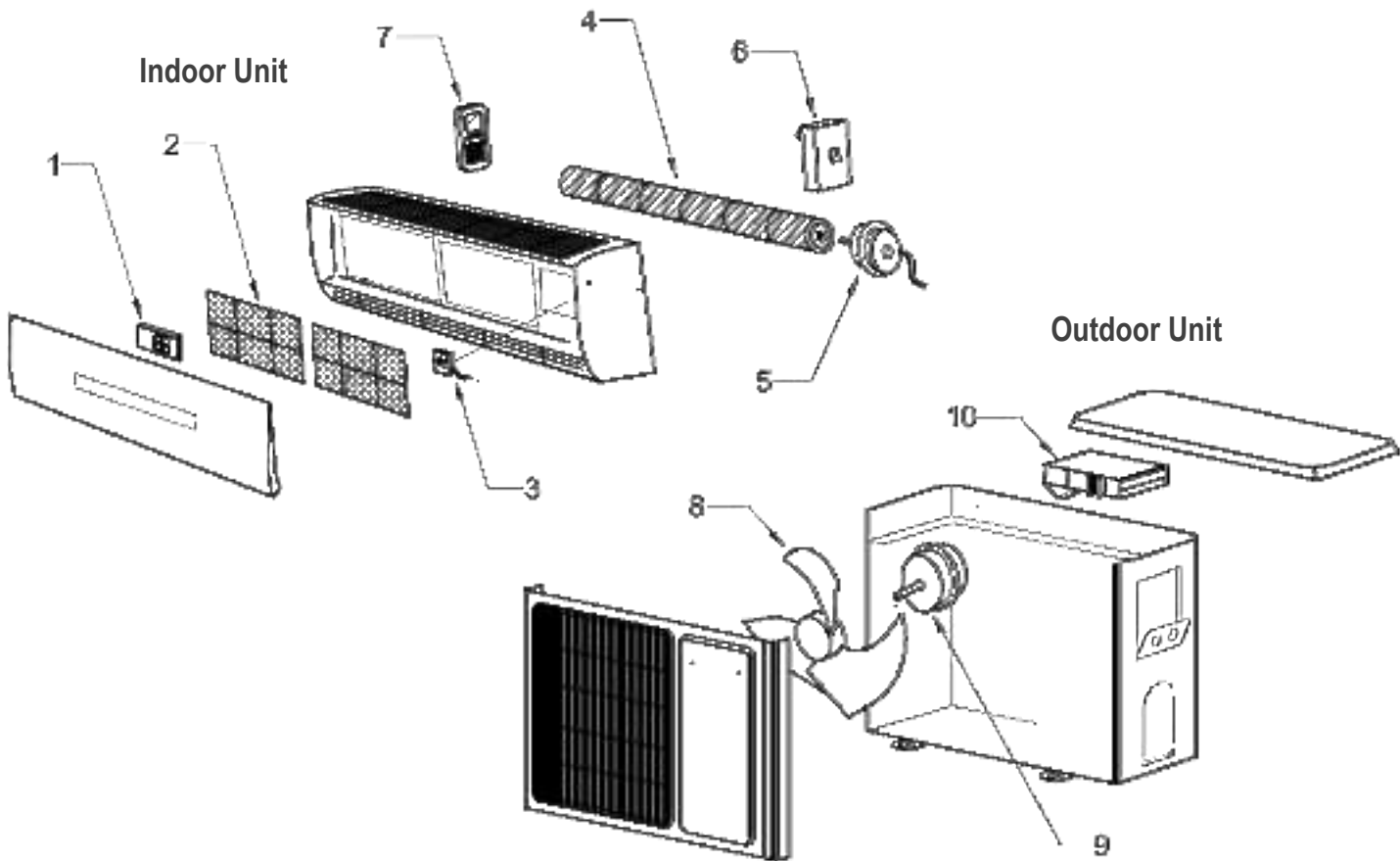
Error Code Table LED: 5.2 Outdoor Control Board

LED display is located on the outdoor control board. **⚠ WARNING** Use caution when removing top panel and reading LED lights as fan blade is within reach and will be running. This step should be done by qualified personnel. To find the LED 1,2,3 lights, remove top panel of outdoor unit(while compressor is running). Top panel is held in place with 3 screws. Remove the back cover from the control board. LED display lights 1,2,3 will be visible.

LED 1,2,3 KEY: Solid On = ★ Flashing = ○ Off = X

Error Code	LED 1	LED 2	LED 3	Issue	Possible Cause	Remedy
1	○	○	○	Normal operation		
2	X	X	★	Decreased frequency	Incoming voltage too high or too low	Check voltage from breaker. Correct the voltage variance
3	X	★	★	Decreased frequency	Check refrigerant	Evacuate refrigerant from unit
4	★	X	★	Decreased frequency	Not enough refrigerant	Add refrigerant
5				No power		
6	★	★	★		Incoming voltage issue	Check voltage from breaker to unit
7	○	X	X		Too much voltage from breaker box to unit	
8	★	X	X	Decreased frequency	Communication issue between indoor and outdoor unit	Ensure wiring between units match diagram, ensure wire isn't nicked <u>or</u> cut
9	X	★	○	Unit overheating	Decreased frequency	Clean outdoor coil and check refrigerant
10	X	★	X	Not applicable to Hessaire units		

Parts Illustrations: 6.0



No.	Description	H12TT1	H12FB1	H12TT2	H18TT2	H18FB2	H24TT2	H24FB2
		(1 Ton) 115v, 18.0 SEER 12000 BTU	(1 Ton) 115v, 22.0 SEER 12000 BTU	(1 Ton) 230v, 20.0 SEER 12000 BTU	(1.5 Ton) 230v, 21.0 SEER 18000 BTU	(1.5 Ton) 230v, 21.0 SEER 18000 BTU	(2 Ton) 230v, 19.5 SEER 24000 BTU	(2 Ton) 230v, 22.5 SEER 24000 BTU
1	Display Panel	12115D	12115D	12115D	18230D	18230D	18230D	18230D
2	Filters (2)	12115F	12115F	12115F	18230F-B	18230F	18230F	18230F
3	WiFi Component	1218WC	1218WC	1218WC	1218WC	1218WC	1218WC	1218WC
4	Indoor Fan Blade	12115B1	12115B1	12115B1	18230B117-B	18230B1	18230B1	18230B1
5	Indoor Motor	12115M1	12115M1	12230M1-B	18230M117-B	18230M1-B	18230M1	18230M1
6	Indoor Control Board	12TT1C1	12FB1C1	12TT2C1	18TT2C1	18FB2C1	24TT2C1	24FB2C1
7	Remote Control	1218RC	1218RC	1218RC	1218RC	1218RC	1218RC	1218RC
8	Outdoor Fan Blade	12115B2-B	1218B2	12115B2-B	1218B2	18230B2	18230B2	24HEB2-B
9	Outdoor Motor	12115M2-B	12HEM2	12230M2-B	18230M217-B	18230M2-B	24230M2-B	24HEM2-B
10	Outdoor Control Board	12TT1C2	12FB1C2	12TT2C2	18TT2C2	18FB2C2	24TT2C2	24FB2C2

Note: Must have serial number of unit when requesting replacement parts

Online Support: 7.0

Additional Resources:

For additional factory support, please visit hessaire.com.

For advanced technical support, please visit <https://hessaire.com/pages/minisplit-error-code-form>. A link to error code diagnostics is available for reference use by certified installers and/or repair persons.

Warranty: 8.0

HESSAIRE PRODUCTS, INC. RESERVES THE RIGHT TO VOID ANY AND ALL WARRANTIES ON UNITS WITHOUT A WARRANTY REGISTRATION AND/OR WITHOUT PROOF OF PURCHASE OR OWNERSHIP.

To register for your warranty, go to <http://hessaire.com/warranty> and complete the registration form. Please register the product within 90 days of purchase.

LIMITED WARRANTY

Hessaire Split-Type Air Conditioners are warranted to the verified owner against defects in materials and workmanship under normal use and maintenance, as provided below:

COVERAGE FOR THE COMPRESSOR

7 year conditional coverage for the air conditioner compressor, beginning on the date that installation is completed.

ONE (1) YEAR LIMITED WARRANTY

Per agreement between Hessaire and the authorized dealers and contractors, the authorized dealer or contractor provides a one (1) year limited warranty for repair or replacement, beginning on the date the installation of the air conditioner is completed. The air conditioner compressor is excluded from this warranty.

If the date of purchase cannot be verified, the warranty period begins three (3) months after the month of manufacture—indicated by the first four (4) digits of the unit's serial number (yymm).

Any part of the unit replaced or repaired under the above warranties is warranted only for the unexpired portion of the warranty term.

WARRANTY LIMITATIONS—Hessaire is not responsible for:

- Damage or repairs required as a result of faulty installation or application
- Damage or repairs required as a result of floods, fires, wind, lightning, accidents or other conditions beyond our reasonable control
- Damage or repairs resulting from installation in an environment containing corrosive chemical agents
- Damage or repairs required as a result of the use of components or accessories not compatible with the unit
- Normal maintenance, as described in the installation and operating manual, such as cleaning of the coils, filter cleaning and/or replacement, or damage caused by failure to perform such maintenance
- Parts or accessories not supplied or designated for use by us
- Damage or repairs required as a result of any improper use, maintenance, operation or servicing
- Damage or failure to start due to interrupted and/or improper electrical service
- Changes in the appearance of the unit that do not affect its performance
- Replacement of fuses and replacement or resetting of circuit breakers or power cords
- Damage caused by transportation or handling
- Additional handling charges to make a unit reasonably accessible for normal service.
- Labor or other costs incurred for diagnosing, repairing, removing, installing, shipping, servicing or handling of either defective parts, or replacement parts, or new units.



COOL AIR ANYWHERE

MINI-SPLIT SIN CONDUCTO AC
H SERIES

MANUAL DE USUARIO



Modelos: (R32 Refrigerant)

H12TT1(1 Ton, 18.0 SEER2), H12TT2(1 Ton, 20.0 SEER2),
H18TT2(1.5 Ton, 21.0 SEER2), H24TT2(2 Ton, 19.5 SEER2)

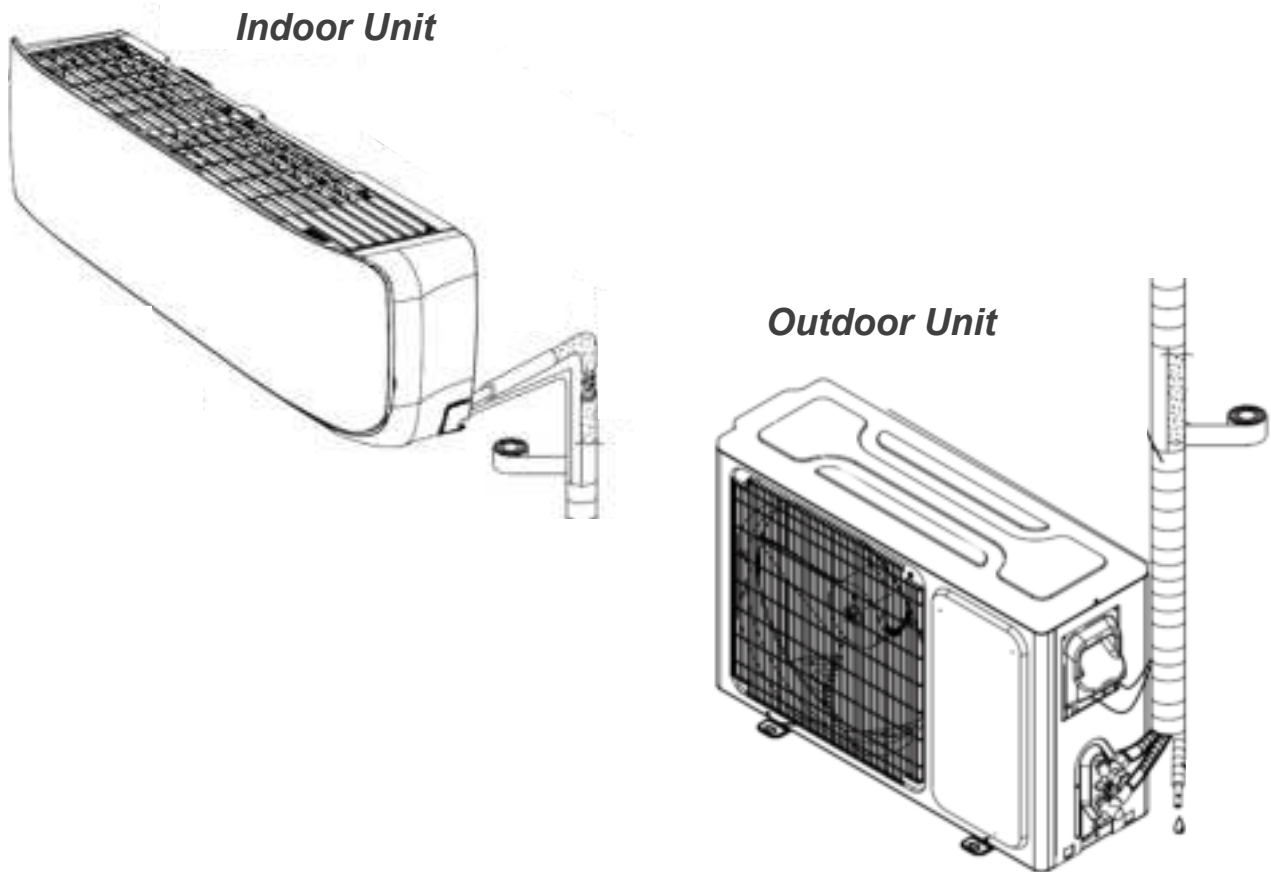
Modelos: (R454B Refrigerant)

H12FB1(1 Ton, 22.0 SEER2), H18FB2(1.5 Ton, 21.0 SEER2),
H24FB2(2 Ton, 22.5 SEER2)

Lea y conserve estas instrucciones para futuras consultas.

Tabla de contenido

1) Precauciones de seguridad	
1.1 Advertencias/precauciones.....	1
1.2 Advertencias de limpieza y mantenimiento.....	1
2) Especificaciones/Rendimiento.....	2
3) Cuidado y mantenimiento.....	2, 3
4) Solución de problemas generales.....	4
5) Troubleshooting: Error Code Table	
5.1 Error Code Table: Indoor Unit.....	5
5.2 Error Code LED Table: Outdoor Unit.....	6
6) Ilustración de piezas.....	7
7) Soporte en línea.....	7
8) Garantía.....	8



Precauciones de seguridad: 1.1 Advertencias / precauciones de uso del producto

Lea antes de realizar el mantenimiento o la solución de problemas. El no hacerlo puede causar daños o lesiones graves.



Las advertencias indican que ignorar las instrucciones puede provocar lesiones graves o la muerte.

Si surge alguna situación anormal (olor a quemado, etc.), apague inmediatamente la unidad y apague el disyuntor. Comuníquese con su instalador o electricista para obtener instrucciones sobre cómo evitar descargas eléctricas, incendios u otras lesiones.

No inserte los dedos u otros objetos en la entrada o salida de aire. Esto puede causar lesiones por el ventilador giratorio o causar daños a los componentes internos.

No use aerosoles inflamables (laca para el cabello, laca, pintura, etc.) cerca de la unidad, ya que pueden provocar un incendio o combustión.

No opere el acondicionador de aire en áreas cerca de gases combustibles que podrían provocar una explosión.

No lo utilice en espacios con mucha humedad (baño, lavadero), ya que puede provocar una descarga eléctrica o la corrosión de los componentes internos.

No exponga directamente su cuerpo a períodos prolongados de aire frío.



Las precauciones indican que ignorar las instrucciones puede provocar lesiones moderadas a las personas cercanas o daños al electrodoméstico u otra propiedad.

Si el aire acondicionado se usa al mismo tiempo que quemadores u otros dispositivos de calefacción, ventile bien la habitación para evitar la deficiencia de oxígeno.

Si no va a utilizar la unidad durante períodos prolongados, apague el aire acondicionado y el disyuntor.

Apague el interruptor durante tormentas fuertes o relámpagos.

Asegúrese de que el agua condensada salga de la unidad sin obstrucciones.

No lo opere con las manos mojadas ya que puede causar una descarga eléctrica.

No utilice esta unidad para nada que no sea para lo que fue diseñada: comodidad ambiental interior.

No coloque objetos sobre la unidad exterior ni se pare sobre ella.

No permita que el aire acondicionado funcione durante largos períodos de tiempo con las puertas y / o ventanas abiertas o si el nivel de humedad exterior es alto. Esto puede hacer que se acumule agua condensada en la unidad o cerca de ella.

Precauciones de seguridad: 1.2 Advertencias de cuidado y mantenimiento



Las advertencias indican que ignorar las instrucciones puede provocar lesiones graves o la muerte.

Apague el dispositivo y el disyuntor antes de limpiar. No hacerlo puede provocar una descarga eléctrica.

No use cantidades excesivas de agua para limpiar la unidad.

No utilice agentes limpiadores combustibles. Los productos químicos fuertes pueden provocar incendios o daños en la unidad.

Especificaciones / Rendimiento: 2.0

Características técnicas	H12FB1 (1 Ton)	H12TT1 (1 Ton)	H12TT2 (1 Ton)	H18FB2 (1.5 Ton)	H18TT2 (1.5 Ton)	H24FB2 (2 Ton)	H24TT2 (2 Ton)
Capacidad de enfriamiento	12000 BTU/hr	12000 BTU/hr	12000 BTU/hr	18000 BTU/hr	18000 BTU/hr	24000 BTU/hr	24000 BTU/hr
Ratio de eficiencia ²	22.0	18.0	20.0	21.0	21.0	22.5	19.5
Tipo de refrigerante	R454B	R32	R32	R454B	R32	R454B	R32
Capacidad de calentamiento	12000 BTU/hr	12000 BTU/hr	12000 BTU/hr	18000 BTU/hr	18000 BTU/hr	24000 BTU/hr	24000 BTU/hr
COP para calefacción	3.66	3.40	3.50	3.61	3.91	3.35	3.30
Voltaje	115	115	230	230	230	230	230
Frecuencia	60	60	60	60	60	60	60
Fase	1	1	1	1	1	1	1
Refrigeración de corriente nominal	8.8 Amps	10.7 Amps	4.8 Amps	6.1 Amps	6.4 Amps	8.7 Amps	10.0 Amps
Calefacción de corriente nominal	8.6 Amps	9.5 Amps	4.5 Amps	6.5 Amps	8.1 Amps	9.3 Amps	9.5 Amps
Unidad interior de flujo de aire (CFM)	365	365	365	648	648	707	707
Decibelios de la unidad interior	42	42	42	48	48	50	50
Decibelios de la unidad exterior	53	53	53	58	56	61	60

Cuidado y mantenimiento del usuario: 3.0

⚠ Desconecte la fuente de alimentación antes de la limpieza o el mantenimiento.

Limpeza de su unidad interior:

Utilice solo paños suaves y secos para limpiar la unidad. Si la unidad está extremadamente sucia, use un paño empapado en agua tibia.

No utilice productos químicos ni disolventes para limpiar la unidad.

No use agua a más de 104 ° F, ya que puede causar decoloración o deformación del panel.

Limpeza del filtro de aire:

Un aire acondicionado sucio u obstruido puede disminuir la eficiencia de enfriamiento de su unidad. Se recomienda limpiar sus filtros de aire cada 2 semanas o 200 horas de uso.

Desconecte la unidad de la fuente de alimentación (apague el disyuntor) antes de abrir la cubierta para acceder a las almohadillas. Levante el panel frontal desde las esquinas inferiores para levantar la cubierta. Fig. 3

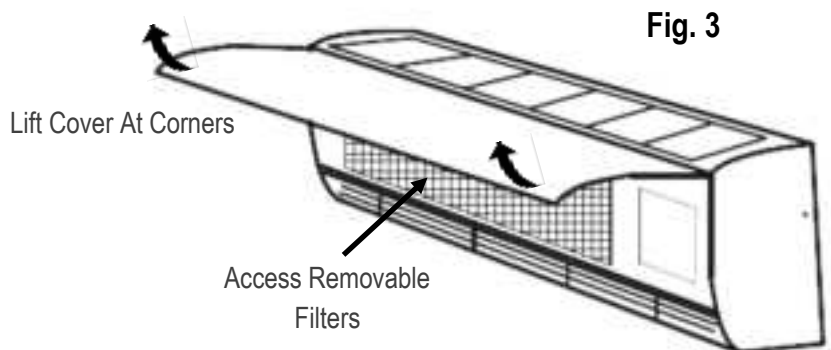
Retire con cuidado los filtros de aire de la unidad interior.

Limpiar los filtros con agua tibia y jabón.

Use un detergente suave.

Enjuague con agua dulce, seque completamente.

Reemplace los filtros y cierre la tapa.



Continuación del cuidado y mantenimiento del usuario:

Limpieza y mantenimiento de la unidad exterior:

Cualquier mantenimiento que deba realizarse con respecto a la unidad exterior debe realizarlo una persona certificada o calificada.

Inspeccione la unidad exterior para detectar cualquier acumulación de hojas u otro desorden y retírela del área circundante según sea necesario.

Nota: No limpie cerca de la unidad exterior mientras está funcionando. Desconecte la energía antes de limpiar.

Mantenimiento - Almacenamiento e inspección:

Cuando no esté en uso durante largos períodos de tiempo:

Limpiar y secar completamente los filtros

Desconecte de la fuente de energía (apague el disyuntor)

Retire la batería del control remoto

Al poner en marcha después de largos períodos de inactividad:

Compruebe si hay cables dañados

Limpiar y secar completamente los filtros

Instale las baterías del control remoto

Compruebe si hay fugas

Asegúrese de que nada bloquee ninguna entrada o salida de aire

Consejos útiles de funcionamiento:

Temperatura ambiente relajante por la noche: durante las horas nocturnas, intente usar el modo de suspensión para relajar gradualmente la temperatura ambiente y permitir que la unidad funcione menos, lo que se traduce en un ahorro de energía.

Cortinas y cortinas: en el verano, bloquear los efectos del sol puede ayudar significativamente con los costos de enfriamiento. Si es posible, cierre las persianas / cortinas en cualquier área que pueda recibir luz solar directa. En los meses de invierno, abra las cortinas y las cortinas para permitir que el calor solar entre en sus áreas de estar.

Cierre las puertas: si es posible, limite el enfriamiento y la calefacción a las áreas habitables cerrando las puertas para limitar el espacio que está enfriando o calentando a la capacidad especificada de la unidad.

Despeje alrededor de la unidad exterior: Mantener el área alrededor de la unidad exterior libre de hojas y escombros ayudará enormemente con la eficiencia operativa. También puede ser necesario lavar la unidad con una manguera para liberar las aletas del serpentín de desechos, lo que podría hacer que la unidad trabaje más.

Reorganice la habitación: los muebles que obstruyen el flujo de aire significan que podría estar calentando y enfriando objetos en lugar del espacio habitable real. Retire o reorganice los obstáculos que bloquean el flujo de aire. Utilice las rejillas giratorias para ayudar a dirigir el flujo de aire en la dirección correcta.

Pruebe 75 grados: 75 ° F es un buen punto para que el aire acondicionado funcione a su nivel de rendimiento óptimo. Incluso un cambio de 1 grado en el ajuste de temperatura puede resultar en un mayor uso de energía.

Iluminación: apagar las luces innecesarias puede ayudar a reducir el calor. Cada luz emite un calor significativo. Su aire acondicionado desperdiciará energía superando el calor de sus luces para alcanzar y mantener la temperatura ambiente deseada.

Cuando esté lejos de casa: Si es posible, mientras está fuera de casa, ponga su unidad en modo automático y asegúrese de que las ventanas y persianas estén cerradas. Aunque la temperatura de la habitación puede ser un poco incómoda al regresar a casa, la unidad hará que la habitación vuelva a la temperatura deseada en un corto período de tiempo.

Uso del ventilador: será más eficiente desde el punto de vista energético utilizar el ventilador en un entorno más bajo y silencioso que hacerlo funcionar a máxima velocidad, cuando sea posible.

Resolución de problemas: 4.0



Si ocurre alguna de las siguientes condiciones, apague la unidad y el disyuntor inmediatamente.

Los cables de alimentación están dañados o visiblemente desgastados

Huele un olor a quemado o ve humo

La unidad emite un sonido fuerte o anormal

La unidad dispara el disyuntor

Entran agua u otros objetos dentro de la unidad interior o salen de la unidad interior

No intente solucionar los problemas anteriores usted mismo. Comuníquese con personas calificadas para la reparación.



Problema	Causas Posibles	Soluciones
La unidad no funciona	El disyuntor puede dispararse o apagarse	Restablecer el disyuntor
	Las baterías del control remoto pueden estar agotadas	Cambiar las pilas del mando a distancia
	Fallo de alimentación	Espera a que vuelva la energía
Emite un olor peculiar	El olor puede provenir de una fuente externa no relacionada con la unidad	Verifique que la fuente de olor sea externa
	Es posible que sea necesario limpiar los filtros	Filtros limpios
Emite niebla ligera	Se puede formar en áreas de alta humedad donde hay una gran diferencia entre el aire de la habitación y el aire acondicionado.	Desaparecerá cuando la unidad funcione
Emite ruidos	Puede haber expansión y contracción debido al cambio de temperatura.	Función normal
	Puede ser causado por el flujo de gas refrigerante a través de la unidad.	Función normal
Rendimiento de enfriamiento deficiente	El ajuste de temperatura puede ser más alto que la temperatura ambiente	Ajustar la configuración de temperatura
	Los filtros de aire están sucios y es posible que deban limpiarse	Limpiar los filtros
	Las entradas o salidas de aire pueden estar obstruidas	Eliminar obstrucciones
	Las cortinas o cortinas dejan entrar demasiado calor solar	Cerrar cortinas o cortinas
	Las puertas o ventanas pueden estar abiertas	Cerrar puertas o ventanas
	Demasiadas fuentes de calor en la habitación: luces, aparatos electrónicos, personas, etc.	Apague los dispositivos electrónicos innecesarios, las luces
Bajo nivel de refrigerante debido a fugas o uso prolongado	Póngase en contacto con el instalador para recargar	
Rendimiento de calefacción deficiente	La temperatura exterior es extremadamente baja	Use un calentador auxiliar separado según sea necesario
	El aire frío entra por puertas o ventanas	Cerrar puertas
	Bajo nivel de refrigerante debido a fugas o uso prolongado	Póngase en contacto con el instalador para recargar
La unidad se enciende y se detiene con frecuencia	Demasiada o muy poca refrigerante en el sistema	Póngase en contacto con el instalador para recargar
	Ha entrado exceso de humedad en el sistema	Comuníquese con el instalador para obtener servicio
	La compresora ha fallado	Reemplazar compresor
	El voltaje es demasiado bajo o demasiado alto	Comuníquese con la compañía eléctrica o el electricista local.

Código de error: 5.1

Unidad interior: Presione el botón de suspensión del control remoto 10 veces. Si el código de error no aparece, mire la pantalla LED en la placa exterior. Precaución: desconecte la alimentación antes de realizar el mantenimiento.

Clave de código de error : en continuo = ★ el parpadeo = ○ apagado = X

Código de error	dormir	temporizador	funcionamiento	Asuntos	Causa Posible	Remedio
0				Normal		
1	○	★	★	La advertencia del sensor de temperatura de la bobina exterior	Sensor suelta / mala conexión	Segure que la conexión este segura en el tablero
					Sensor defectuosa	Reemplazar el sensor le control exterior
					Reemplazar el tablero de control interior	Reemplazar el tablero de control interior
2	○	★	X	Calentamiento excesivo de la unidad Exterior	Refrigerante esta bajo	Verifica la fuga del refrigerante, agregar refrigerante al especificaciones
					Sensor suelta / mala conexión	Segure la conexión del sensor de temperatura no este suelta
					Sensor defectuoso	Reemplazar la sensor de temperatura de escape del compresor
					Reemplazar el tablero del control exterior	Reemplazar el tablero de control exterior
5	★	○	X	Tablero de control exterior no funcionando	Tablero fallida	Reemplazar el tablero de control exterior
6	X	○	X	Voltaje del AC muy alto o muy bajo	Tensión del voltaje es mas alta o baja de normal	Verificar voltaje de la caja de fusibles. Si esta muy alta o baja, corije la diferencia del voltaje
7	★	★	X	Asuntos del la Comunicación (Entre Unidades)	Comunicación no coincide entre unidades	Segure los alambres entre unidades son iguales en el diagrama o que no esten mellada o cortada
					El cable esta suelto	Aprete las conexiones de forma segura
10	★	X	X	Asunto del Comunicación (Conductor)	Conexión no coincide entre unidades	Segure los alambres entre unidades son iguales en el diagrama o que no esten mellada o cortada
					El cable esta suelto	Aprete las conexiones de forma segura
					Tablero exterior fallida	Reemplazar la unidad del tablero de control exterior
11	○	X	X	Asuntos exterior EEPROM	Tablero exterior fallida	Reemplazar la unidad del tablero de control exterior
13	○	X	★	Temperatura del escape del compresora muy alta	Refrigerante esta bajo	Comprobar si hay fugas, anadir refrigerante al especificaciones, segure la bobina este limpia
					Sensor de la temperatura fallida	Reemplazar el sensor de temperatura
14	★	★	○	Ambiente del sensor de temperatura exterior	Sensor de la temperatura fallida	Reemplazar el sensor de temperatura
15	X	○	★	La cascara del compresor muy alta	Refrigerante esta bajo	Comprobar si hay fugas, anadir refrigerante al especificaciones, segure la bobina este limpia
					Sensor de la temperatura fallida	Reemplazar el sensor de temperatura
16	★	X	★	Asunto del la temperatura del refrigerante	Refrigerante esta bajo	Comprobar si hay fugas, anadir refrigerante al especificaciones, segure la bobina este limpia
17	X	★	X	Falla del tablero exterior	Tablero fallida	Reemplazar el tablero de control exterior
18	X	★	★	Aranque del compresor fallida	Tablero exterior defectuosa	Reemplazar el tablero de control
					Compresora defectuosa	Reemplazar compresora
19	X	★	○	Asuntos del la compresora de conducir	Exterior del conducir tablero fallida	Reemplazar el tablero de placa de accionamiento
					Compresora defectuosa	Reemplazar compresora
					Tablero exterior defectuosa	Reemplazar el tablero de control
20	★	X	○	Fallida del motor del ventilador exterior	Conexión del alambre del motor suelto	Segure los alambres esten conectada segurament o
					Fallida de motor	Reemplazar el motor
					Tablero exterior defectuosa	Reemplazar el tablero de control

Código de error: 5.1 continuado

Código de error	dormir	temporizador	funcionamiento	Asuntos	Causa Posible	Remedio
21	X	X	○	Asuntos del la bobina exterior	Demasiado refrigerante	Comprobar nivel de refrigerante, ajustar a especificación
					Motor de ventilador exterior fallida	Reemplazar el motor
					Unidad de exterior sucio	Comprobar el filtro de basura, limpia si es necesario
33	★	○	○	Asuntos del sensor de temperatura exterior	Sensor de temperatura interior suelta	Segure la conexión del sensor este segura en el tablero
					Sensor de temperatura interior defectuosa	Reemplazar el sensor de temperatura
					Tablero de control interior defectuosa	Reemplazar el tablero de control interior
34	X	○	○	Fallida del sensor de temperatura de la bobina interior	Sensor de bobina interior suelta	Segure la conexión de sensor este segura en el tablero
					Sensor de bobina interior defectuosa	Reemplazar el sensor de la temperatura
					Tablero de control interior defectuosa	Reemplazar el tablero de control interior
36	○	★	○	Asuntos del la Comunicación (Entre Unidades)	Conexión no coincide entre unidades	Segure los alambres entre unidades son iguales en el diagrama o que no estén mellada o cortada
					El cable esta suelto	Aprete las conexiones de forma segura a la unidad
38	○	○	X	Asuntos EEPROM interior	Chip suelto del EEPROM interior	Segure chip este en su lugar
					Tablero de control interior defectuosa	Reemplazar el tablero de control interior
39	○	○	★	Motor interior de ventilador corre anormalmente	Conexión del cable del motor suelto	Apriete firmemente si es posible
					Fallida de motor	Reemplazar motor
					Tablero de control interior defectuosa	Reemplazar el tablero de control interior
41	X	X	★	Problema de pusetas a tierra interior	Tablero de control interior defectuosa	Reemplazar el tablero de control interior

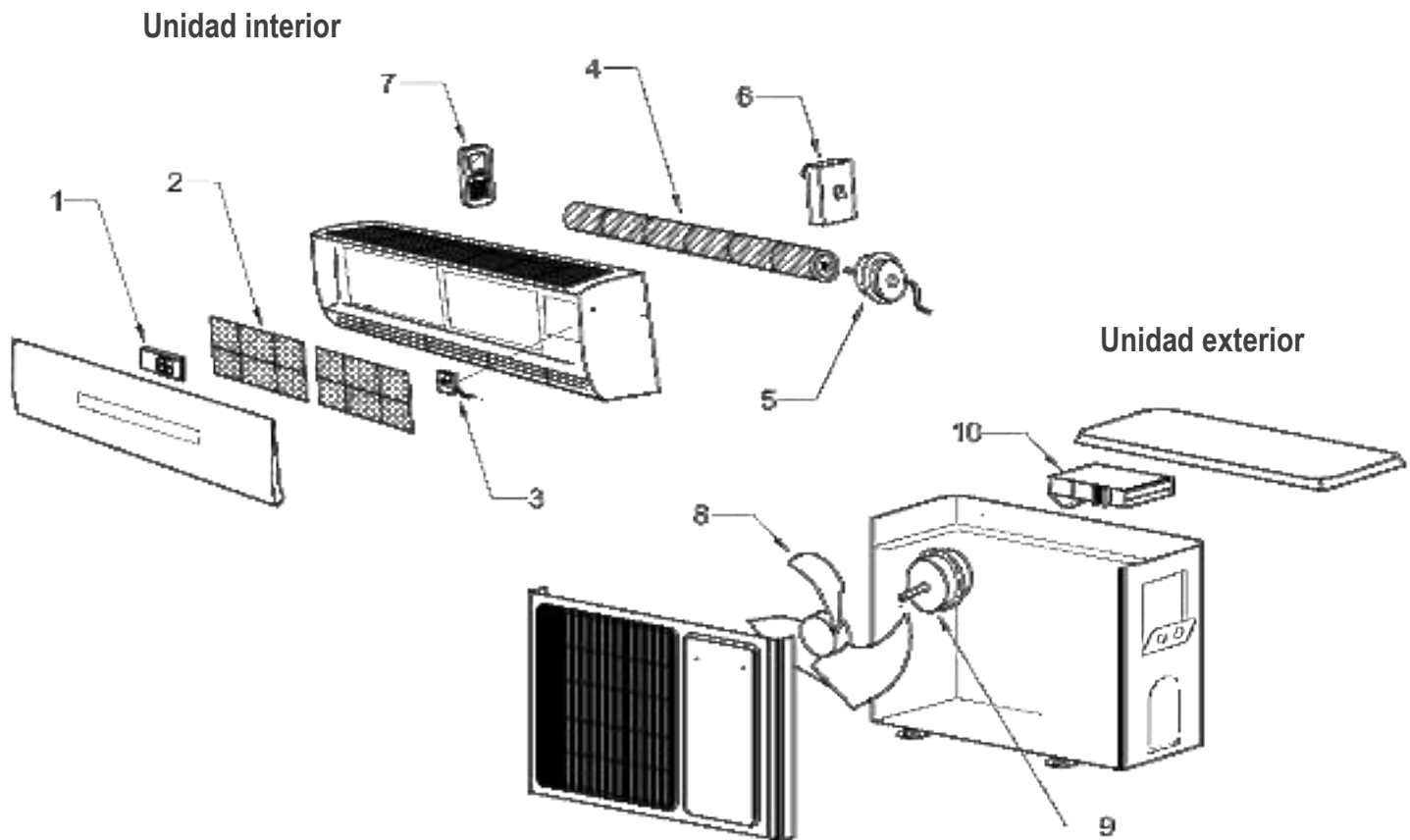
Código de error LED: 5.2

LED La pantalla se encuentra en el tablero de control exterior. Tenga cuidado. La aspa del ventilador se está moviendo. Retire la cubierta del tablero de control para ver la pantalla.

Clave de código de error LED : en continuo = ★ el parpadeo = ○ apagado = X

Código de error	LED 1	LED 2	LED 3	Asuntos	Causa Posible	Remedio
1	○	○	○	Normal		
2	X	X	★	Disminución de la frecuencia	voltaje demasiado alto o bajo	Verifique el voltaje de la caja del interruptor. Voltaje fijo
3	X	★	★	Disminución de la frecuencia	Compruebe el refrigerante	Retire el refrigerante de la unidad
4	★	X	★	Disminución de la frecuencia	No hay suficiente refrigerante	Agregar refrigerante
5				sin energía		
6	★	★	★		Problema de voltaje entrante	Verifique el voltaje del interruptor a la unidad
7	○	X	X		Demasiado voltaje del interruptor a la unidad	
8	★	X	X	Disminución de la frecuencia	Problema de comunicación entre la unidad interior y exterior	Asegúrese de que el cableado sea el mismo entre las unidades interiores y exteriores
9	X	★	○	Sobrecalentamiento de la	Disminución de la frecuencia	Limpie la bobina exterior. Compruebe el refrigerante
10	X	★	X	No aplicable a las unidades de Hessaire		

Ilustraciones: 6.0



No.	Description	H12TT1 (1 Ton) 115v, 18.0 SEER 12000 BTU	H12FB1 (1 Ton) 115v, 22.0 SEER 12000 BTU	H12TT2 (1 Ton) 230v, 20.0 SEER 12000 BTU	H18TT2 (1.5 Ton) 230v, 21.0 SEER 18000 BTU	H18FB2 (1.5 Ton) 230v, 21.0 SEER 18000 BTU	H24TT2 (2 Ton) 230v, 19.5 SEER 24000 BTU	H24FB2 (2 Ton) 230v, 22.5 SEER 24000 BTU
1	Panel de visualización	12115D	12115D	12115D	18230D	18230D	18230D	18230D
2	Filtros (2)	12115F	12115F	12115F	18230F-B	18230F	18230F	18230F
3	WiFi	1218WC	1218WC	1218WC	1218WC	1218WC	1218WC	1218WC
4	Aspa del ventilador	12115B1	12115B1	12115B1	18230B117-B	18230B1	18230B1	18230B1
5	Motor Interior	12115M1	12115M1	12230M1-B	18230M117-B	18230M1-B	18230M1	18230M1
6	Tablero de control	12TT1C1	12FB1C1	12TT2C1	18TT2C1	18FB2C1	24TT2C1	24FB2C1
7	Control remoto	1218RC	1218RC	1218RC	1218RC	1218RC	1218RC	1218RC
8	Hoja de ventilador al aire libre	12115B2-B	1218B2	12115B2-B	1218B2	18230B2	18230B2	24HEB2-B
9	Motor al aire libre	12115M2-B	12HEM2	12230M2-B	18230M217-B	18230M2-B	24230M2-B	24HEM2-B
10	Tablero de control exterior	12TT1C2	12FB1C2	12TT2C2	18TT2C2	18FB2C2	24TT2C2	24FB2C2

Nota: Debe tener el número de serie de la unidad al solicitar piezas de repuesto

Soporte en línea: 7.0

Recursos adicionales:

Para obtener asistencia adicional de fábrica, visite hessaire.com.

Para obtener soporte técnico avanzado, visite <https://hessaire.com/pages/minisplit-error-code-form>. Hay disponible un enlace al diagnóstico de códigos de error para uso de referencia por parte de instaladores certificados y / o reparadores.

Garantía: 8.0

HESSAIRE PRODUCTS, INC. SE RESERVA EL DERECHO DE ANULAR CUALQUIER Y TODAS LAS GARANTÍAS DE LAS UNIDADES SIN UN REGISTRO DE GARANTÍA Y / O SIN PRUEBA DE COMPRA O PROPIEDAD.

Para registrarse para su garantía, vaya a <http://hessaire.com/warranty> y complete el formulario de registro. Registre el producto dentro de los 90 días posteriores a la compra.

GARANTÍA LIMITADA

Los acondicionadores de aire Hessaire Split-Type están garantizados al propietario verificado contra defectos en materiales y mano de obra bajo uso y mantenimiento normales, como se indica a continuación:

COBERTURA DEL COMPRESOR

Cobertura condicional de 7 años para el compresor del aire acondicionado, a partir de la fecha en que se complete la instalación.

GARANTÍA LIMITADA DE UN (1) AÑO

Según el acuerdo entre Hessaire y los distribuidores y contratistas autorizados, el distribuidor o contratista autorizado proporciona una garantía limitada de un (1) año para reparación o reemplazo, a partir de la fecha en que se completa la instalación del aire acondicionado. El compresor del aire acondicionado está excluido de esta garantía.

Si no se puede verificar la fecha de compra, el período de garantía comienza tres (3) meses después del mes de fabricación, indicado por los primeros cuatro (4) dígitos del número de serie de la unidad (yyymm).

Cualquier parte de la unidad reemplazada o reparada bajo las garantías anteriores está garantizada solo por la parte restante del período de garantía.

LIMITACIONES DE LA GARANTÍA: Hessaire no es responsable de:

Daños o reparaciones necesarios como resultado de una instalación o aplicación defectuosa

Daños o reparaciones necesarias como resultado de inundaciones, incendios, viento, rayos, accidentes u otras condiciones fuera de nuestro control razonable.

Daños o reparaciones resultantes de la instalación en un entorno que contiene agentes químicos corrosivos

Daños o reparaciones necesarias como resultado del uso de componentes o accesorios no compatibles con la unidad.

Mantenimiento normal, como se describe en el manual de instalación y operación, como limpieza de las bobinas, limpieza y / o reemplazo del filtro, o daños causados por no realizar dicho mantenimiento.

Piezas o accesorios no suministrados o designados para su uso por nosotros

Daños o reparaciones necesarias como resultado de cualquier uso, mantenimiento, operación o servicio incorrectos.

Daño o falla en el arranque debido a un servicio eléctrico interrumpido y / o inadecuado

Cambios en la apariencia de la unidad que no afectan su desempeño

Reemplazo de fusibles y reemplazo o reajuste de disyuntores o cables de alimentación

Daños causados por transporte o manipulación

Cargos de manejo adicionales para que una unidad sea razonablemente accesible para el servicio normal

Mano de obra u otros costos incurridos para diagnosticar, reparar, quitar, instalar, enviar, dar servicio o manipular las piezas defectuosas, las piezas de repuesto o las unidades nuevas.