

Job Name:	
Submitted By:	



Submittal Sheet For: YN020GLSI24M2G / (2x) RT0xxGLSILCFHG

Date _____
 Ref. _____

Dual (2) Circuit Ducted Inverter Heat Pump Set

System Full Set Model: **YN020GLSI24M2G**

AHRI Reference Number: **217048772**

Cooling Mode Performance

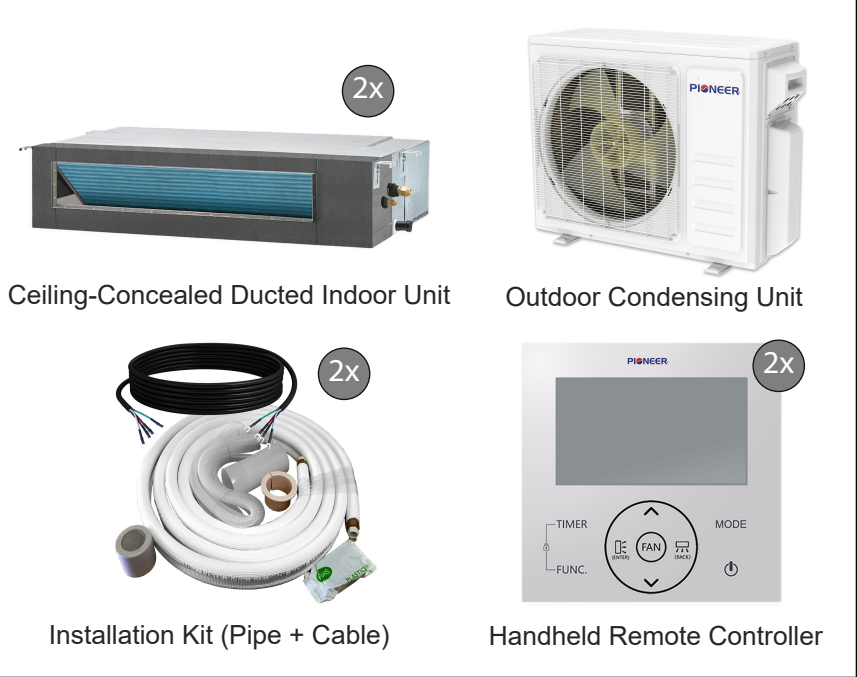
Rated Cooling	17,000 BTU/hr
Ambient Range	5°F ~ 131°F
SEER Rating	21.0 BTU/W·h
EER Rating	12.0 BTU/W·h

* 100% Capacity @ Indoor DB 80°F/WB 67°F

Heating Mode Performance

Rated Heating	19,000 BTU/hr
Ambient Range	-13°F ~ 86°F
HSPF2 IV (V)	9.5 (8.2) BTU/W·h
COP (47°F)	3.5 (W/W)

*High Heat (47°F) = 19,000 BTU / Low Heat (17°F) = 17,400 BTU / COP (5°F) = 1.9



Electrical Information

Rated Input (W)	Cooling	Heating
	1,410	1,490
Rated Current (A)	6.3	6.7
Breaker Needed	25A (Double-Pole)	
Power Supply	208~230V, 1Ph, 60Hz	

Piping and Refrigerant

Liquid Line (OD)	1/4" (2)
Suction Line (OD)	3/8" (2)
Refrigerant Precharge	R454b (Selectable Lineset)
Vertical Run/Elevation Diff.	50 ft. / 33 ft.

This combination is Energy-Star certified.

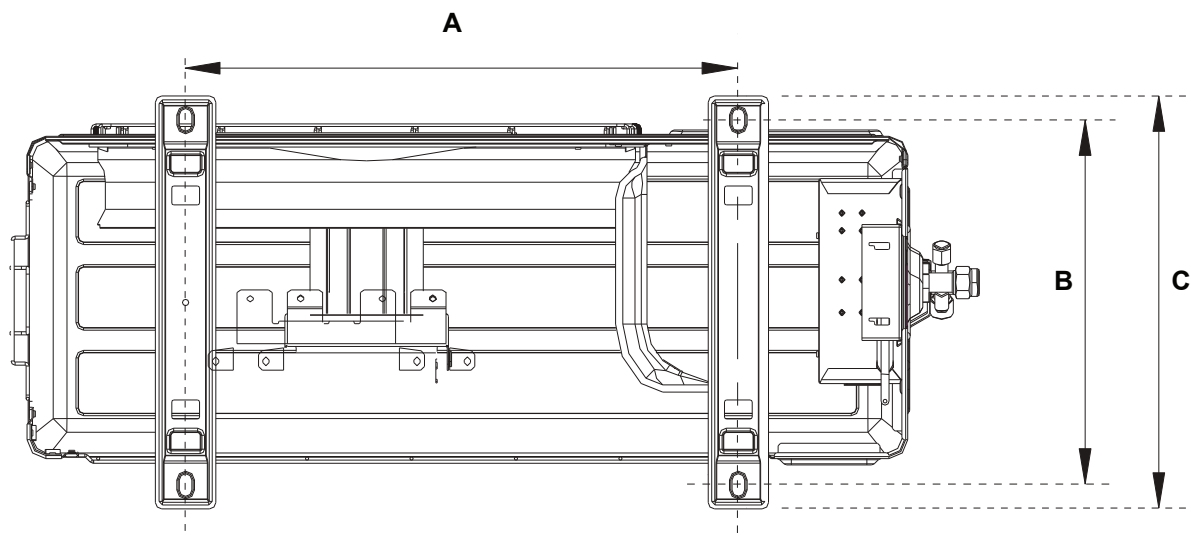


Exterior Unit (Condenser) Specifications

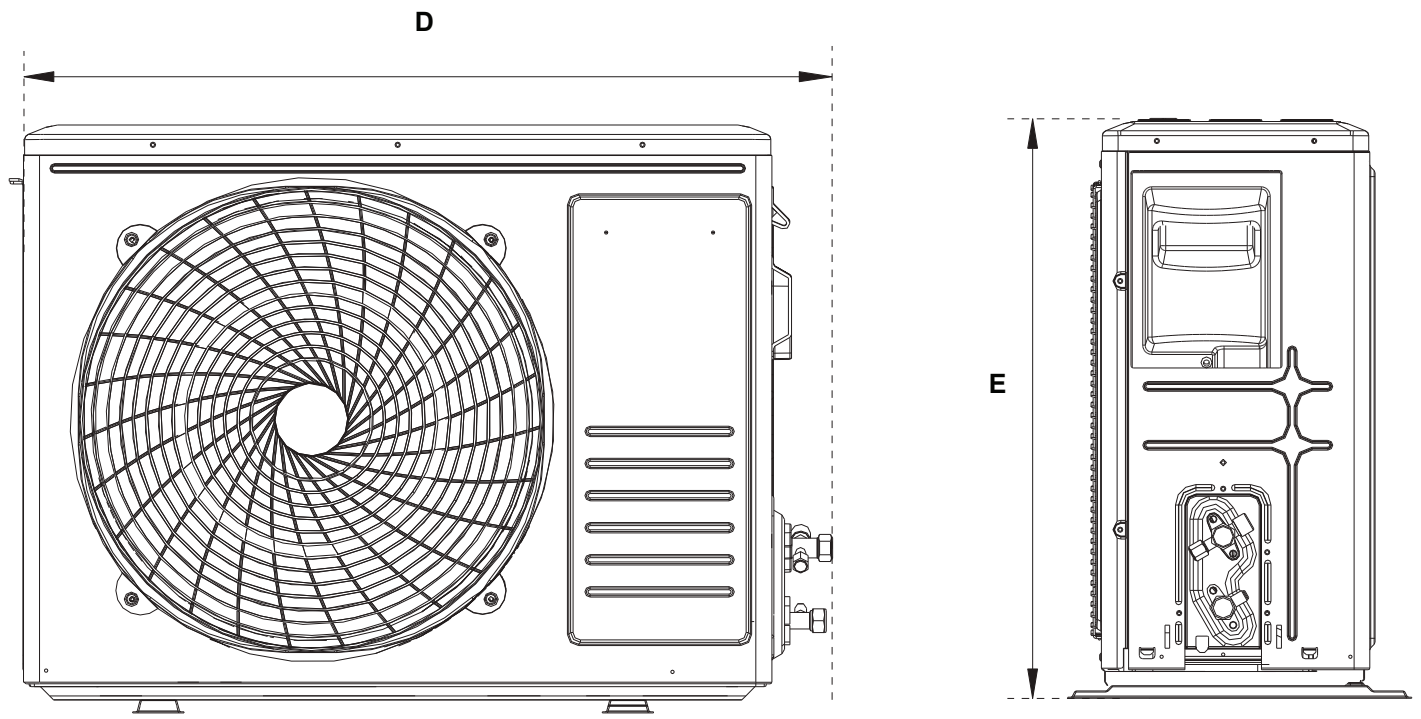
Sound Level (dBA)	58
Recommended Room Size	300~750 Sq. ft.
Minimum Room Size	68 Sq. ft.
Compressor	Twin-Rotary
Dimensions (WDH)	36"-1/2 x 15" x 27"-1/2
Weight (lbs)	92.6

Compatible Indoor Air Handler Units

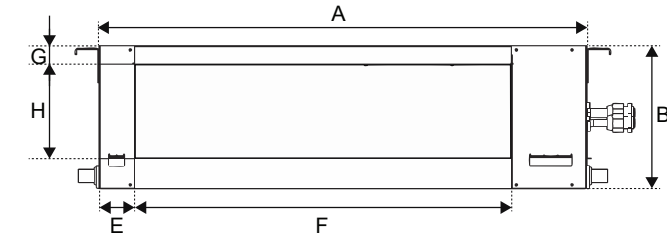
RT009GLSILCFHG (9K)	RT012GLSILCFHG (12K)
Quantity	2 (Up to 24,000 BTU)
Max Circuit Length	80 ft. (9K) / 100 ft. (12K)
Max Vertical Run	33 ft. (9K/12K)
Adjustment Charge	0.11 oz x (L1+L2-50 ft.)



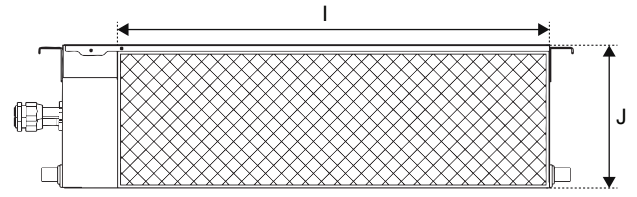
Model	A	B	C	D	E
YN020GLSI24M2G (18,000 BTU / 2-Zone)	23-1/8"	13-3/4"	15"	36-1/2"	27-1/2"
	586 mm	348 mm	380 mm	927 mm	699 mm



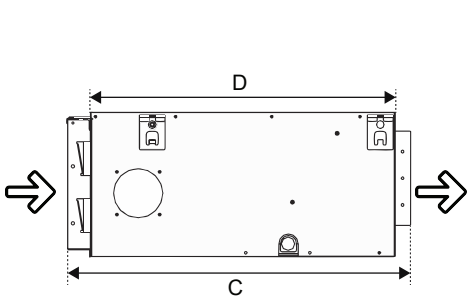
RT009GLSILCFHG Air Handler Dimensional Data



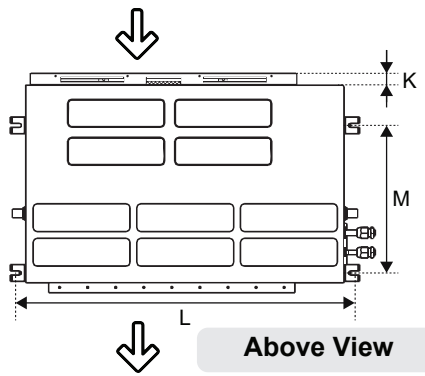
Supply Side



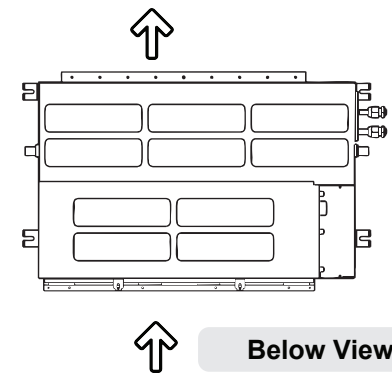
Inlet Side



Side View

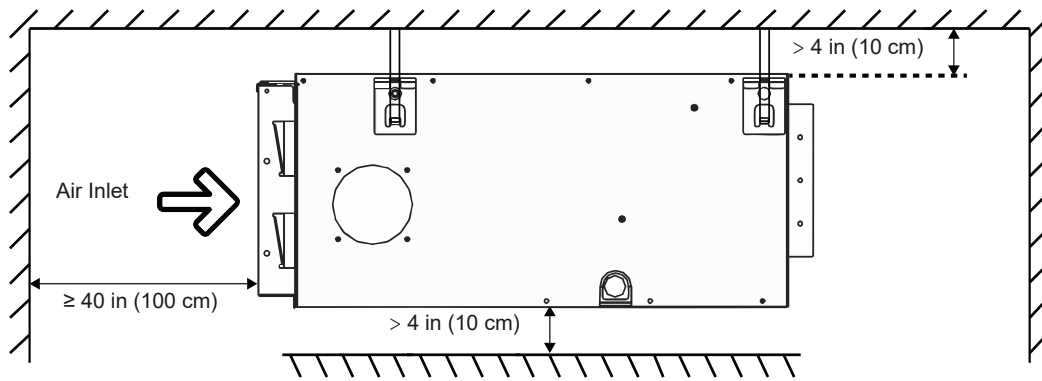


Above View

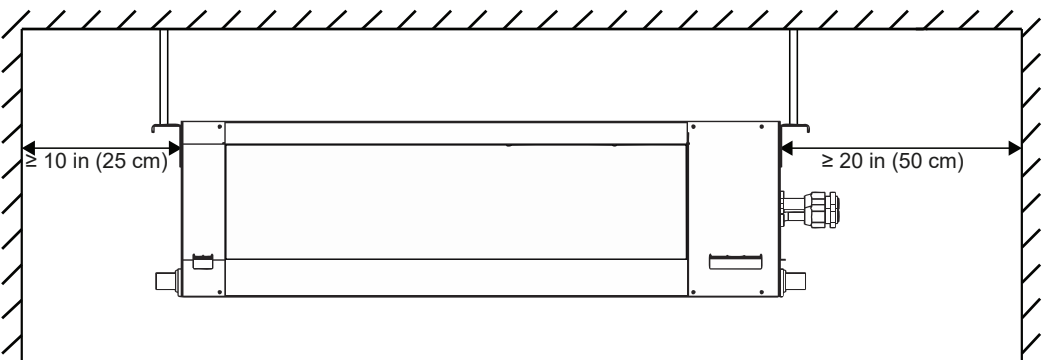


Below View

Overall Air Handler Dimensions				Front Side Air Outlet (Supply)				Rear Side Air Inlet (Return)			Mounting Brackets	
A	B	C	D	E	F	G	H	I	J	K	L	M
27-5/8 in	7-7/8 in	19-3/8 in	17-3/4 in	1-3/4 in	20-1/8 in	1/8 in	5-1/2 in	23-5/8 in	7-3/8 in	1-3/8 in	29-1/8 in	11-3/4 in
701.7 mm	200 mm	492.1 mm	450.9 mm	44.5 mm	511.2 mm	3.2 mm	139.7 mm	600.1 mm	187.3 mm	34.9 mm	739.8 mm	298.5 mm

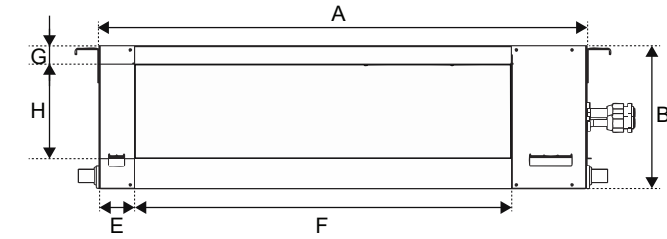


Side View

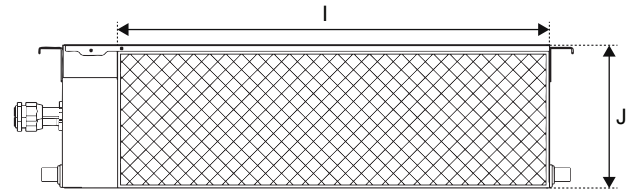


Front View

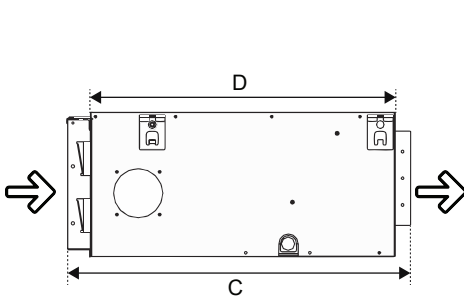
RT012GLSILCFHG Air Handler Dimensional Data



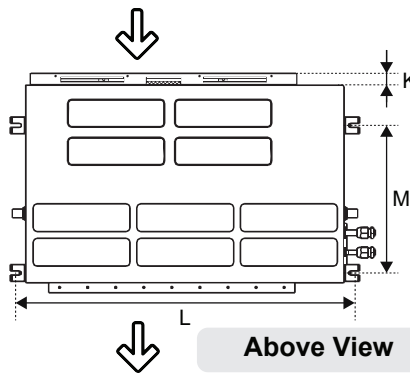
Supply Side



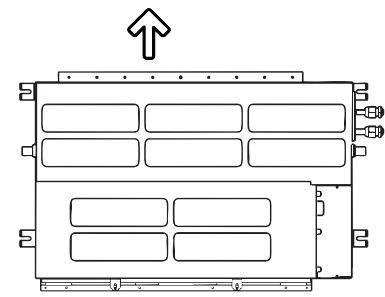
Inlet Side



Side View

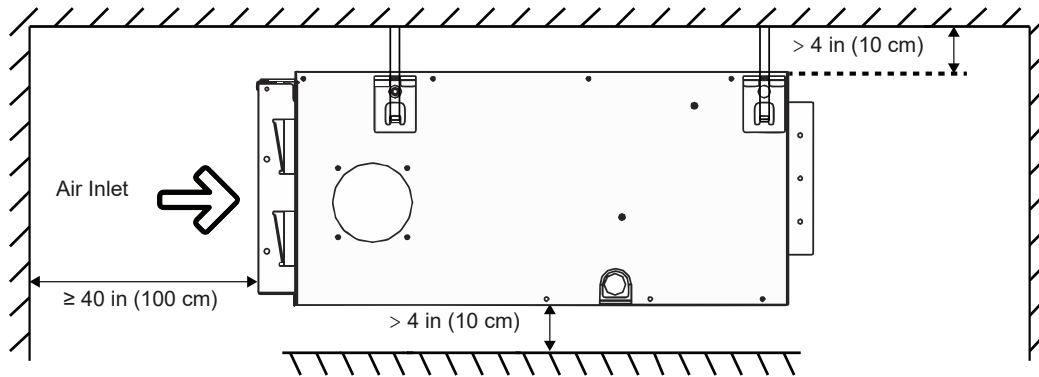


Above View

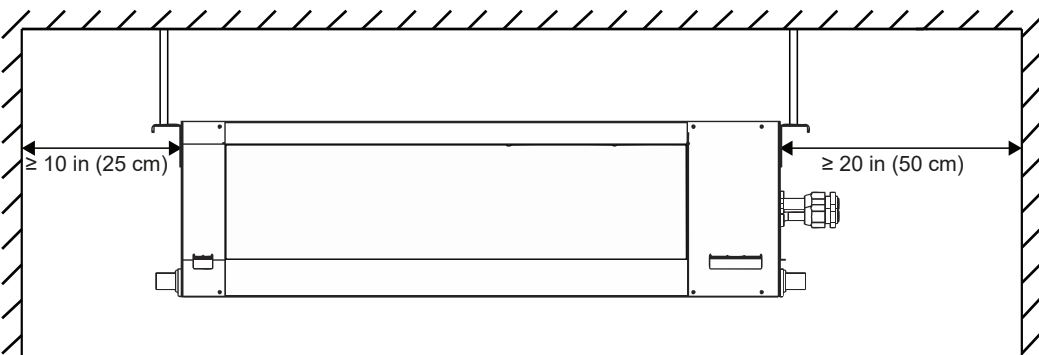


Below View

Overall Air Handler Dimensions				Front Side Air Outlet (Supply)				Rear Side Air Inlet (Return)			Mounting Brackets	
A	B	C	D	E	F	G	H	I	J	K	L	M
27-5/8 in	7-7/8 in	19-3/8 in	17-3/4 in	1-3/4 in	20-1/8 in	1/8 in	5-1/2 in	23-5/8 in	7-3/8 in	1-3/8 in	29-1/8 in	11-3/4 in
701.7 mm	200 mm	492.1 mm	450.9 mm	44.5 mm	511.2 mm	3.2 mm	139.7 mm	600.1 mm	187.3 mm	34.9 mm	739.8 mm	298.5 mm



Side View



Front View

RT009GLSILCFHG (Air Handler) Specifications

Airflow Rate (cfm)	335 (Turbo)/305 (Hi)/276 (Med)/182 (Lo)/ 182 (Mute)
Sound Level (dBA)	42 (Turbo)/39 (Hi)/34 (Med)/28 (Lo)/28 (Mute)
Auto Air Circulation	2-Way Louver (Up-Down + Left-Right)
Dimensions (WDH)	27"-1/2 x 19"-1/4 x 7"-7/8
Weight (lbs)	33.1

Matching Table (2 Circuits Utilized)

9000 + 9000
12000 + 9000
12000 + 12000
18000 + 9000

RT012GLSILCFHG (Air Handler) Specifications

Airflow Rate (cfm)	360 (Turbo)/330 (Hi)/270 (Med)/210 (Lo)/180 (Mute)
Sound Level (dBA)	44 (Turbo)/41 (Hi)/35 (Med)/33 (Lo)/32 (Mute)
Auto Air Circulation	2-Way Louver (Up-Down + Left-Right)
Dimensions (WDH)	27"-1/2 x 19"-1/4 x 7"-7/8
Weight (lbs)	33.1

Piping Diameters

9000 BTU	1/4" (Liquid) - 3/8" (Suction)
12000 BTU	1/4" (Liquid) - 3/8" (Suction)
<i>(All Necessary Adapters Provided with Condenser)</i>	

Although very seldom, if the total demand from the combined group of indoor units' exceeds the rated capacity of the outdoor unit, the capacity of each indoor unit will be annotated accordingly.

Every indoor unit attached to a multi zone system will operate at a random, self regulated capacity, based on the actual demand it measures from the zone it is serving (Between 30% to 100% of its rated capacity) or turn Off as needed.

Warranty Information and Length



Complete warranty details are available with the vendor or online at <https://www.pdhvac.com/support/warranty/>. This high-quality system is eligible for up to a 5-year limited warranty on the compressor, and 5 years on other internal parts. To qualify for this warranty, the system must be installed within 90 days and registered properly. All other installations that are unregistered qualify for only 1-year parts/compressor warranty.

Outstanding Features

- LED Display
- Energy Saving
- Ultra-Thin Design
- Dual Drain Options
- Customizable Timer
- Eco-Friendly Refrigerant
- Whisper-Quiet Operation
- Power Loss Memory Recovery

Available Accessories

Part Number	Description
IKT-LCVR4P-KIT	<i>Decorative PVC Line Cover Kit</i>
IKT-LNBR-1/4-3/8	<i>BendAid Flexible Easy Bender Kit</i>
BRK-FRM-C-2P	<i>Folding Mounting Bracket w/ Leveler</i>
IKT-UVL32UL-AG	<i>UVC Bacterial Disinfection Kit</i>
IKT-SURPRK-DV2	<i>Ultimate Surge and Power Protection</i>