

Who We Are

- SimPure® is a purification brand based in the United States, focusing on engineering filtration and advanced purification technologies.
- SimPure® promotes the philosophy of a minimalist lifestyle, returning to nature with clean water and fresh air.
- SimPure® designs products to be both smart, easy to operate, and practical in appearance and functionality.

Contact Us

If you require technical assistance, please contact our friendly professional support engineers, who will be pleased to assist you.

4530 B STREET NW #A,
AUBURN WA 98001, USA

Customer Service: service@simpurelife.com

Toll-Free :1-866-528-4572

Website: www.simpurelife.com

V7



4530 B STREET NW #A,
AUBURN WA 98001, USA



Water Filtration System
Model: V7

Retain owner's manual for future reference

REGISTER AND EXTENDED ONE YEAR WARRANTY

Please register your items within 30 days of your purchase at

Q simpurelife.com/pages/warranty-registration

or scan the following QR code



Note: All SimPure® products come with a 1-year warranty from the date of purchase. Follow the steps above to register and enjoy an extra year of product warranty - that's double the peace of mind!

Table of Contents

Overview.....	1
Getting Started.....	2
Introduction.....	2
Warning and Caution.....	3
Operating Guidelines.....	4
Typical Installation.....	5
Atypical Installation.....	5
Installation.....	6
System Contents.....	7
Installation Kit.....	7
Installation Guide.....	8
Installation Steps.....	9
Assemble the Components.....	12
Operation and Maintenance.....	13
Filter Cartridge Replacement	13
Frequently Asked Questions.....	14
Warranty.....	15
Our Products and Services.....	16

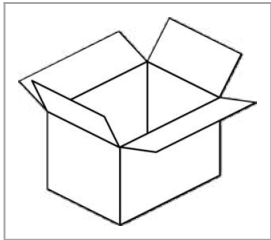
Overview

Getting Started



- Introduction
- Warning & Caution
- Operating Guidelines
- Typical Installation

Installation Guide



- Installation Kit
- Installation Guide
- Installation Steps
- Assemble Components

Operation Guide



- Operation & Maintenance Guide
- Replacement Filter
- Frequently asked questions
- Warranty

Getting Started

Introduction

Thank you for purchasing the SimPure® V7 Water Filtration System, delivering purified water to your home or office. Please refer to the SimPure® website for the latest product information, including manuals, product videos, support materials, and where to purchase SimPure® products and consumables.



The V7 is a piece of durable equipment, with proper care it will last for many years. This owner's handbook outlines the installation, operation, and maintenance requirements to sustain perfect product performance.

The V7 features a five-stage composite filtration system to produce clean water for your family

- Polypropylene fiber.
- Activated Carbon.
- KDF.
- Activated Carbon.
- Polypropylene fiber.

Customer Service: service@simpurelife.com

Toll-Free :1-866-528-4572

Website: www.simpurelife.com

V7 can filter out impurities and particles from your water, such as sediment, dirt, rust, chlorine, odors, lead, organic matter, and heavy metals, giving the water a much better taste.

Warning & Caution

SimPure® products are designed with safety in mind. However, personnel working on these units must be familiar with any potential dangers. All safety information detailed in this handbook should be reviewed before installing and operating this water purification system.

This product is not a toy, please keep children away from the System or use under adult supervision. Please keep packing materials out of children's reach.

The System has been designed for indoor use only. Install the System out of direct sunlight and secure it to a vertical surface such as a wall or inside a cupboard at ambient room temperature.

Do not move the System without first shutting off the water supply, draining, and releasing the water pressure.

This unit is for use with cold municipal tap water or potable well water that has been tested safe by a certified laboratory. Never use hot water or unknown/unsafe sources of water.

The installation of the System must comply with your local and state regulations. Please check before commencing installation.

In case of malfunction, shut-off the water supply to the System. If any part of the System is damaged or missing, replace the item before use.

Warnings and Cautions are provided; Failing to observe the instructions could result in damage to the equipment, associated parts, surroundings, or personal injury.

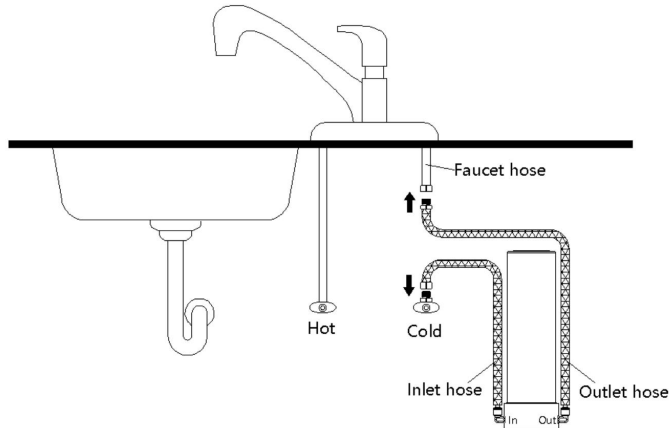
Operating Guidelines

The following table lists the operating parameters for this product. Operating this product outside these specifications may cause system performance issues and may even lead to personal injury and void any warranty. Please contact SimPure® for further advice and support if unsure about the requirements.

Operating Parameters	
Model	SimPure® V7
Maximum Flow Rate	1.6 Gallons per minute (6 L/min)
Filter Capacity	20,000 gallons (12 months service life)
Power Requirements	Not applicable, this product only requires water pressure to operate.
Feed Water Type	Municipal Potable/Tap water or Well water meeting government drinking water standards
Feed Water Pressure	10 - 125 PSI (Install a pressure regulator if exceeding this feed water pressure)
Feed Water Temperature	40-100°F (4-38°C)
Ambient Temperature	40-104°F (4-40°C)
Dimensions	4.9 x 3.5 x 11.5 inch

Typical Installation

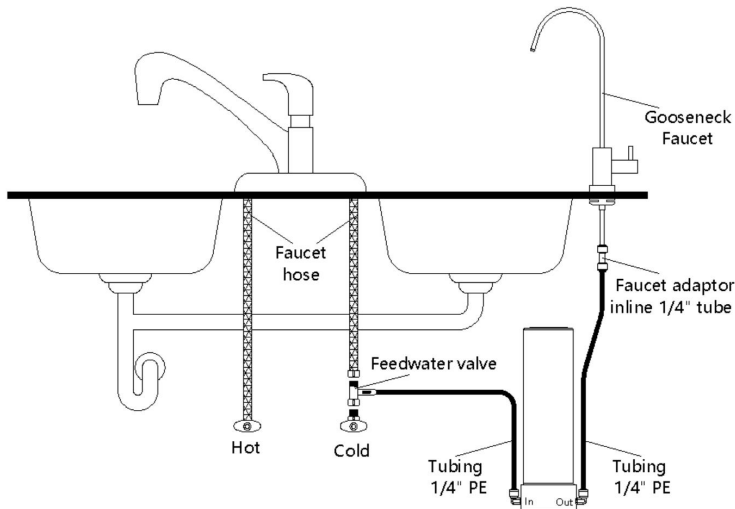
The following illustration is an example of a typical under sink installation .
No additional accessories required.



Atypical Installation(Need Additional Accessories)

The following illustration is an example of a atypical under sink installation .
Additional accessories are required as follows:

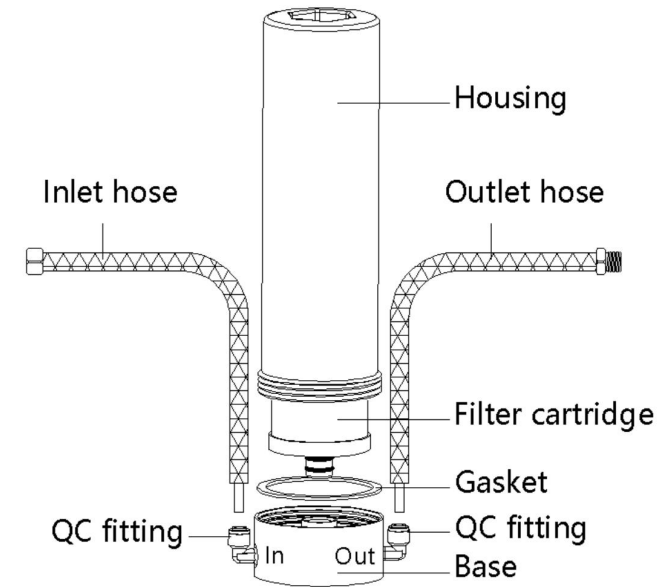
1. Feed water valve
2. Tubing 1/4" PE
3. Gooseneck faucet
4. Faucet adaptor



Installation

System Contents

Your SimPure® V7 Water Filtration System was carefully assembled, packaged, and shipped complete with the parts you should require for a standard installation.



Unsure about something? Is there a problem?
Please contact SimPure® through our website or toll-free number.

Customer Service: service@simpurelife.com

Toll-Free :1-866-528-4572

Website: www.simpurelife.com

Installation Kit

Carefully unpack your SimPure® V7 Water Filtration System. Layout the parts, so you can familiarize yourself with the components, check nothing is missing before you start the installation.

Package Contents List	
	Description
A	Main body (including the cartridge)
B	3/8" Braided stainless inlet hoses (29.5 inches)
C	3/8" Braided stainless outlet hoses (29.5 inches)
D	Spare wrench tools
E	Spare parts kit
E1	Teflon tape (roll)
E2	Elbow 1/4" tube QC to threaded (x2)
E3	3/8" male comp. x 1/2" female NPT convertor fitting
E4	1/2" male NPT x 3/8" female comp. convertor fitting



Installation Guide

Read the entire manual thoroughly before beginning your installation. Take note of the safety tips and follow all steps to ensure your System is installed correctly before use. Installation needs to comply with state and local laws and regulations; you must check and comply with all local plumbing codes. Warning: Massachusetts, USA, require installation by a licensed plumber and does not permit the use of saddle valves. (plumbing code 248-CMR of the Commonwealth of Massachusetts)

Hand tools required

Essential hand tools are required to install the SimPure® V7 System. Adjustable wrench, cross-head screwdriver (Phillips).



Plan your Installation

Your SimPure® V7 System can be installed under a sink or in a remote location. Typical remote sites are a laundry room or utility room.

Dispense Point

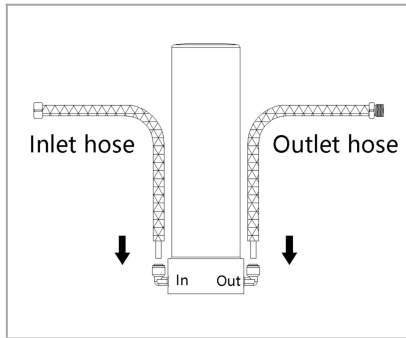
The V7 is an inline Purification System designed to be installed into an existing cold water dispense point, such as a faucet. Should you require a separate outlet for the V7, please purchase a drinking faucet or other style outlet suitable for your application and follow the manufactures installation instructions.

Check Location and Space Requirements

Determine and check the size and position of the V7 for proper installation into the chosen space and remember to leave enough room around the System for changing filters and maintenance.

Installation Steps

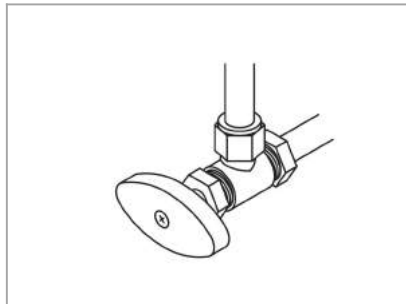
Step 1 - Installing the V7 Assembly



Connecting Tubing.

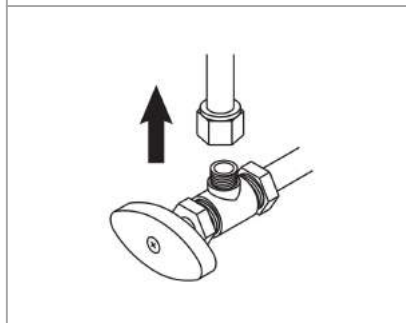
Using the inlet hose and outlet hose connect up the V7 taking notice of the direction of water flow, **IN** to **OUT** is marked on the V7 filter base.

Step 2 - Plumbing Instructions



Locate Shut off valve. Turn off the COLD water shut off valve located under the sink.

Warning: Make sure you have turned the water supply off before starting any plumbing work.



Remove the original connection from between the faucet and the cold water shut off valve under the sink.

Step 3 - Connections

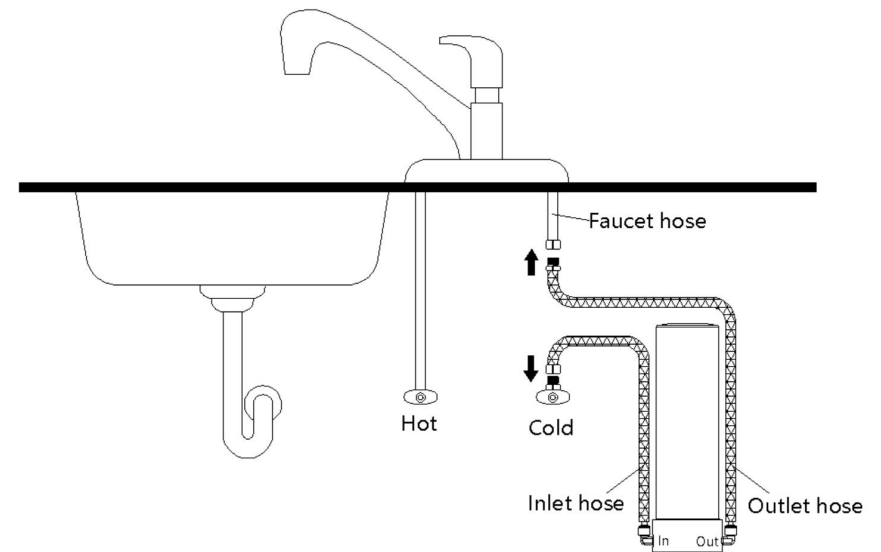
Follow the instruction below to connect the SimPure® V7 Filtration System.

1. Connect the water supply (cold water only).

Connect the inlet hose to the cold water valve.

2. Connect to the faucet.

Connect the outlet hose to the faucet hose.

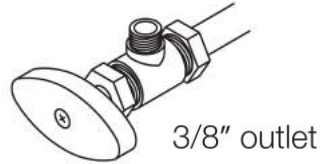


Step 4 - System Flushing

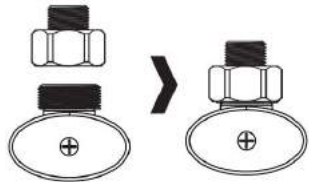
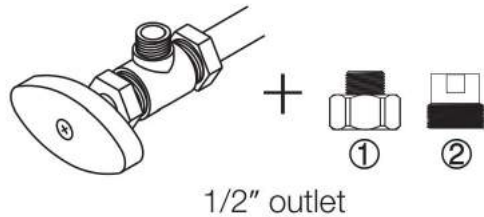
After assembling the SimPure® V7, turn on the faucet to flush the System for 5 minutes to rinse all fittings and the new filter. Check for any signs of leaks.

Tips

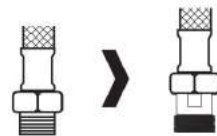
If the angle valve outlet is 3/8", it can be directly connected to the water supply.



If the angle valve outlet is 1/2", it can be connected via the following two fittings.



Connect ① to the cold angle valve.



Connect ② to the outlet hose.

Unsure about something? Is there a problem?
Please contact SimPure® through our website or toll-free number.

Customer Service: service@simpurelife.com

Toll-Free :1-866-528-4572

Website: www.simpurelife.com

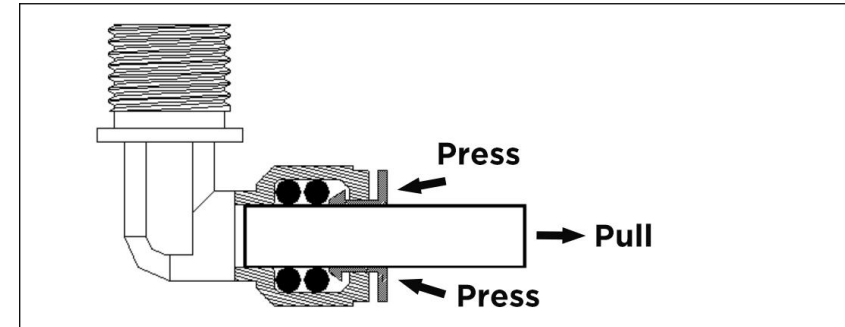
CONGRATULATIONS!
You have completed the installation!

Assemble the Components

How to use the Quick-Connect (QC) fittings

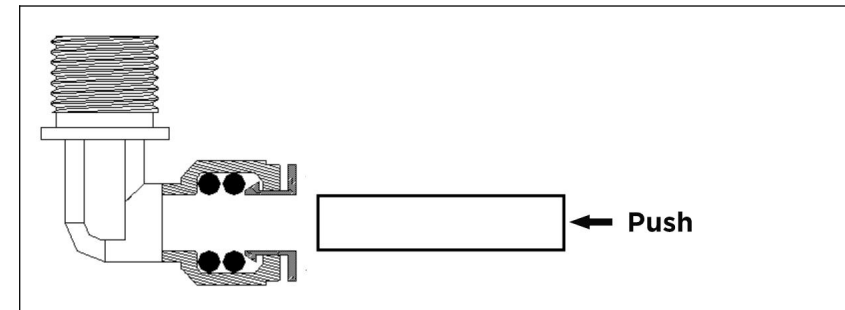


The SimPure® V7 System uses quick-connect (QC) fittings making the installation simple and easy.



How to release a tube from a quick-connect.

- (1) Push the collet down onto the fitting (closing the gap between the collet and fitting) and hold.
- (2) While holding the collet down, gently pull the tube in the opposite direction at the same time to release.



How to insert the tube into a quick-connect.

- (1) Make sure the tube has a clean square cut with no bur present.
- (2) Push the tube firmly into the QC fitting, making sure it is located correctly (you will feel the tube 'jump' into position as you push it into the fitting). The tube is secure once it has traveled 3/8" (15mm) into the fitting.

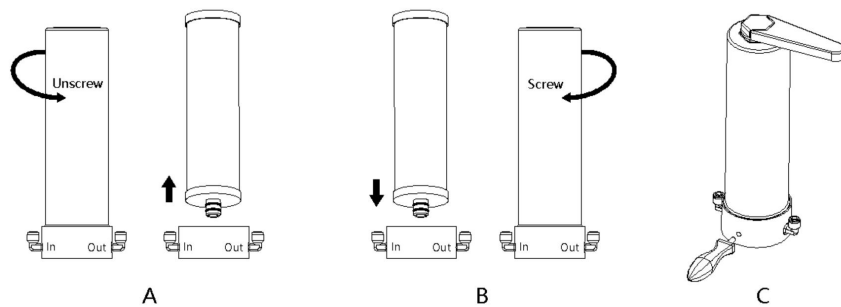
Operation and Maintenance Guide

The System is designed to filter feed water whenever the faucet is operated.

Filter cartridge replacement

Replacement Filter Part Number		
Part No.	Description	Replacement Schedule (Months)
HEUSX002_S9	V7 Filter Cartridge	12months

Note: Depending on your feed water quality, the V7 Filter Cartridge can last up to 12 months; however, if you use a lot of water or have poor feed water quality, you may need to replace your Filter Cartridge sooner.



Step 1 – Close the shut- off valve and open the faucet to release any water pressure.

Step 2 – Unscrew the housing and pull out the old filter cartridge.(See Figure A)

Step 3 – Insert the new filter cartridge and run it in till you hit the ultimate stop,then tighten the housing.(See Figure B)

Note:Before installing a new filter cartridge, be sure to remove impurities and rinse with water to ensure the seal and seal area are clean.

Step 4 – Run water to drain for 5 mins to rinse the new cartridge.

Note: You may notice Black Carbon particles for the first minute, this is normal.

Note: If you find it difficult to unscrew and tighten the housing, you can use the spare wrench tools. (See Figure C)

Frequently Asked Questions

Q: Why doesn't the TDS value lower after filtration?

A: The main purpose of this SimPure V7 filter is not to remove TDS. TDS stands for total dissolved solids, and it is basically composed of inorganic salts and a small amount of organic matter. The filter can remove harmful substances while keeping beneficial trace elements. Please choose SimPure RO system if you are looking for physical removal of TDS.

Q: When should I replace the cartridge?

A: The filter's service life is related to the water quality. If the flow rate is significantly reduced or if the water has a peculiar smell, we suggest that you replace the cartridge.

Q: Why does black water come out during flushing?

A: It's normal that black water comes out when flushing. The purpose is to remove carbon powder remaining on the surface of filter materials. You can normally use it after flushing for 5 minutes.

Q: What should I do if the filter is leaking?

A: Turn off shut off valve first.

1. If the QC fitting is leaking, remove the tube, clean and re-insert.
2. If threaded fitting, tighten or re-tape with Teflon Tape.
3. If between the housing and base, clean the dirt inside the base, make sure the gasket is clean, and tighten it.

Q: What should I do if there is no water from the faucet?

A: Make sure the shut off valve is open, and there is water available. If using Teflon Tape make sure it has not blocked the water supply (re-tape fittings if necessary)

Customer Service: service@simpurelife.com

Toll-Free :1-866-528-4572

Website: www.simpurelife.com

Warranty

SimPure® warrants to the customer that its residential Filtration System will be free from defects in material and workmanship under normal use and service for a period of 1 year. We will replace or repair any part of the SimPure® V7 System that we find to be defective in operation due to faulty materials or workmanship within one year since the date of the original purchase. Used replaceable filter cartridges and membranes are excluded.

General Conditions

SimPure® obligation to the customer under these warranties shall be limited, at its option, to replacement or repair of items covered by these warranties. Prior to return or repair of covered items, the customer must obtain a return goods authorization number from SimPure® and, at SimPure® option, return the item with freight prepaid by the customer.

Damage to any part of this System because of misuse, misapplication, negligence, alteration, accident, installation, or operation contrary to our instructions, incompatibility with accessories not installed by SimPure®, or damage caused by freezing, flood, fire, or Acts of God are not covered by this warranty. In all such cases, regular charges will apply. This limited warranty does not include service to diagnose a claimed malfunction in this unit. This warranty is void if the claimer is not the original purchaser of the unit or if the unit is not operated under normal municipal water or well water conditions. We assume no warranty liability in connection with this System other than that specified herein. This warranty is in lieu of all other warranties, expressed or implied, including warranties of fitness for a particular purpose. SimPure® liability hereunder shall not exceed the cost of the product. Under no circumstances will SimPure® be liable for any incidental or consequential damages or for any other loss, damage or expense of any kind, including loss of use, arising in connection with the installation or use or inability to use the covered items. These warranties are governed by the laws of the state of Washington, USA, and may change at any time without notice.

Our Products & Services

Consumables



Full selection of consumable items to maintain your SimPure® V7 System well into the future are available from SimPure® online or through your local Distributor.

Whole House Filtration System



SimPure® Whole House Pre-Filter (DC3/DC5 series and Big blue series) help to purify the water coming into your home.

Lasts Longer To Give You The Best Value In Filtration.

Reverse Osmosis System



SimPure® Y7 Countertop RO Water Filtration System help to improve your life.

Say goodbye to the hidden dangers of tap water and eliminate the need to purchase bottled water for your home.