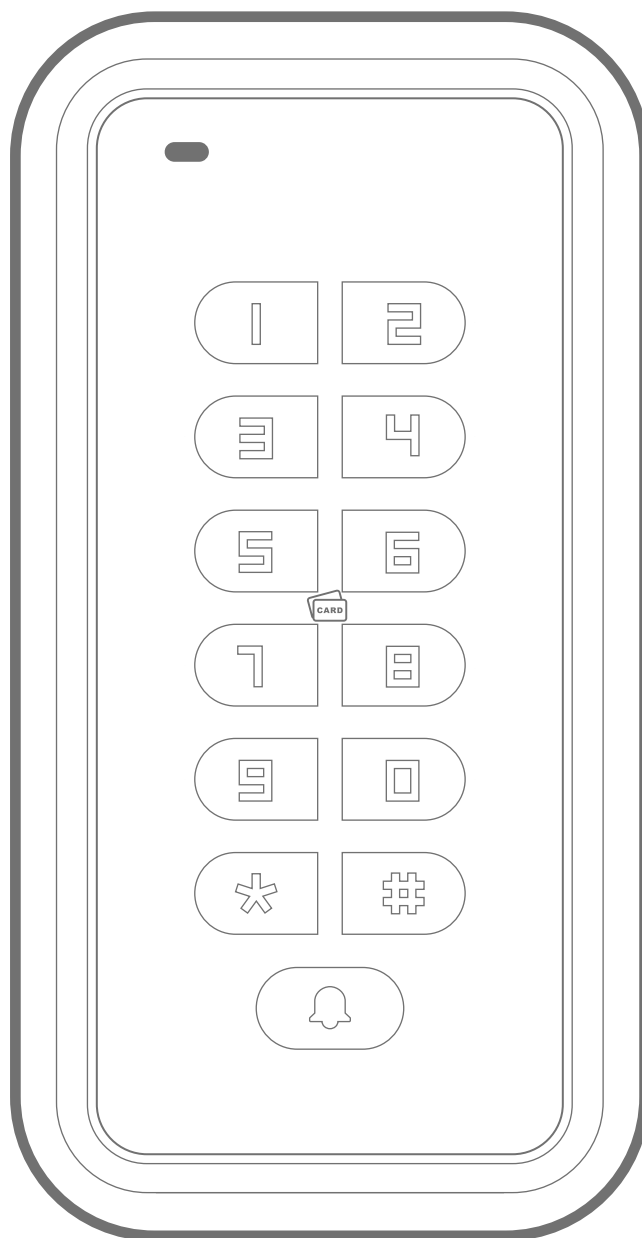


UHPPOTE

HBK-A03

ACCESS CONTROL KEYPAD



USER MANUAL

Packing List

Name	Quantity	Remarks
Access Keypad	1	
User Manual	1	English
Plastic Anchors	4	Ø6x25mm, used for fixing
Self - Tapping Screw	4	M4x25mm Philips Self Tapping Screw

Introduction

The HBK-A03 Digital Keypads by HOBK offer the Digital Keypad Controller (DKC) or Wiegand output for universal compatibility with access control systems. The outdoor-rated 12 key plastic 2'x6' keypad features silicone rubber keys. HBK-A03 keypads are shipped in 'DKC' from the factory. When interfacing with the Wiegand, please change the keypad to 'Wiegand Mode'. Instructions on how to change from DKC to Wiegand mode are found in the Changing to Wiegand Mode section below.

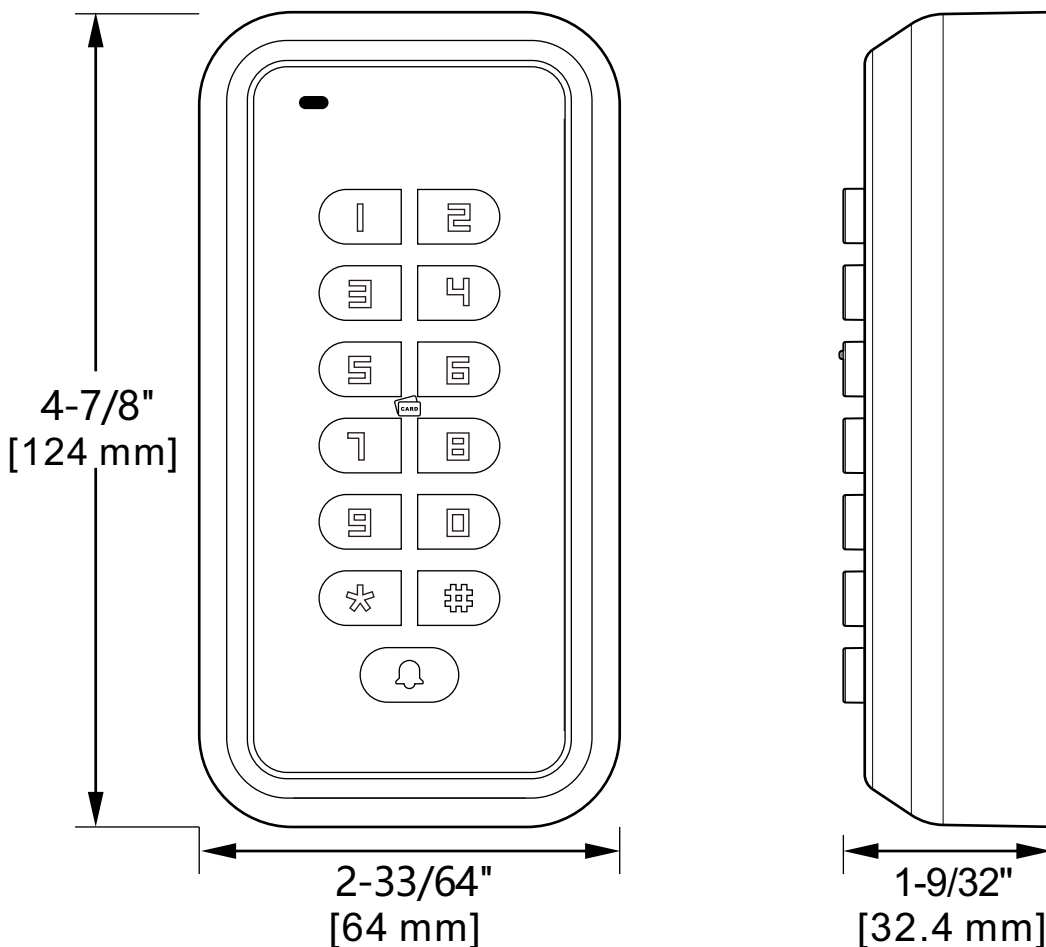
Features

- Full programming from the keypad.
- Supports Card, PIN, Card + PIN, Card or PIN.
- Can be used as standalone keypad.
- Adjustable door open time.
- Very low power consumption.
- Backlit keys.
- Lock output current short circuit protection.
- With bell function, supports external bell.
- Audible keystroke echo.
- Red, blue, white, yellow and green LED indicators display the working status.
- Wiegand 26 input for connection to external reader or Wiegand 26 output for connection to a controller.

Specifications

Operating Voltage	12VDC	Card Type	ID card or IC card
Lock Output Load	Max. 1.5A	Door Open Time	0-99 seconds
Card Capacity	2000	Card Reading Distance	Max. 2-23/64"
PIN Capacity	500	Product Weight	1.01lb
Idle Current	50mA	Enclosure Material	Zinc Alloy
Waterproof Level	IP66	Operating Temperature	-40°F-140°F
Operating Humidity	10%-90%RH		
Dimensions	4-7/8" x 2-33/64" x 1-9/32"		
Wiring Connections	Electric Lock, Exit Button, Bell		

Dimensions



Installation

- Remove the back cover from the keypad
- Drill 4 holes on the wall for the self-tapping screws and 1 hole for the cable
- Put the supplied plastic anchors into the 4 holes
- Fix the back cover firmly on the wall with 4 self-tapping screws
- Thread the cable through the cable hole
- Attach the keypad to the back cover

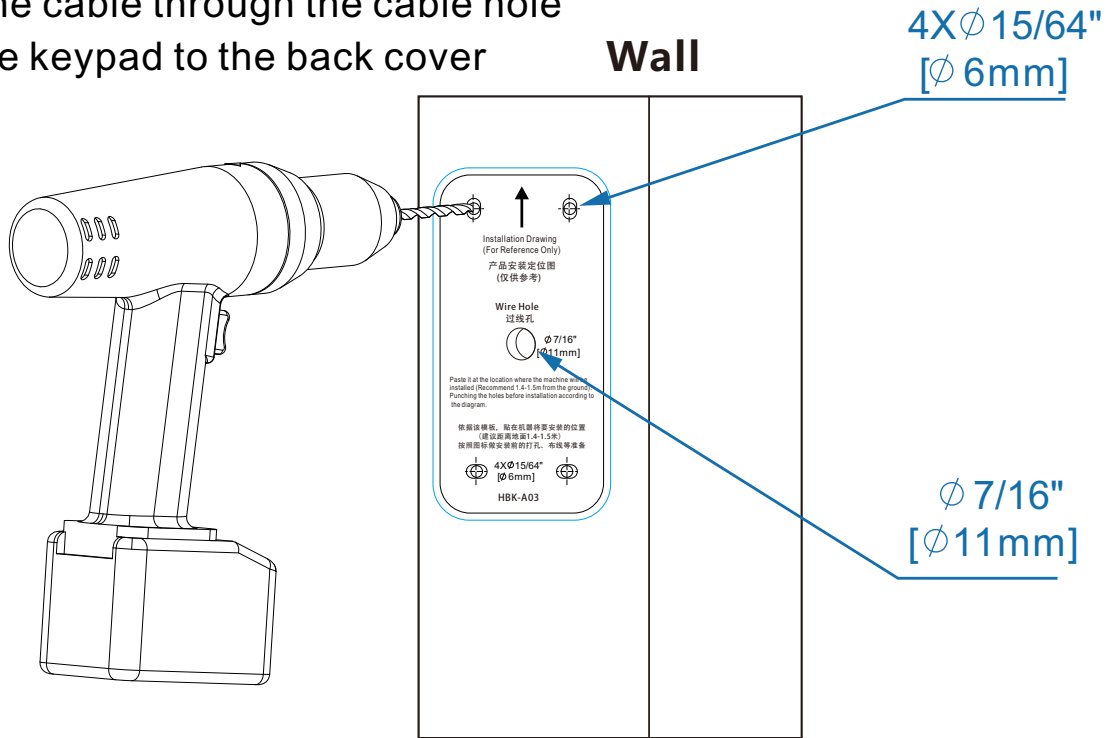


Figure 1 - Hole locations

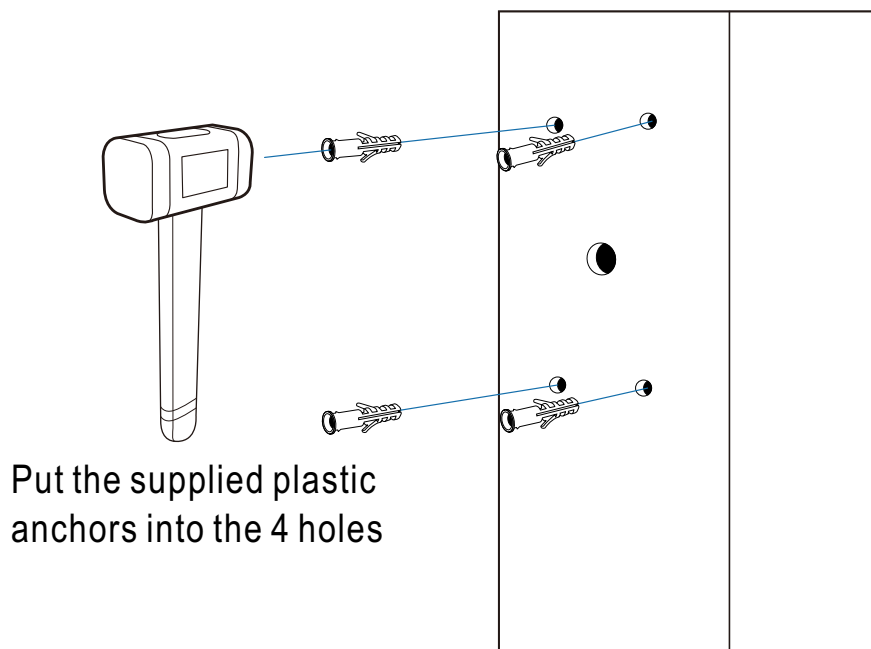


Figure 2 - Installation of plastic anchors

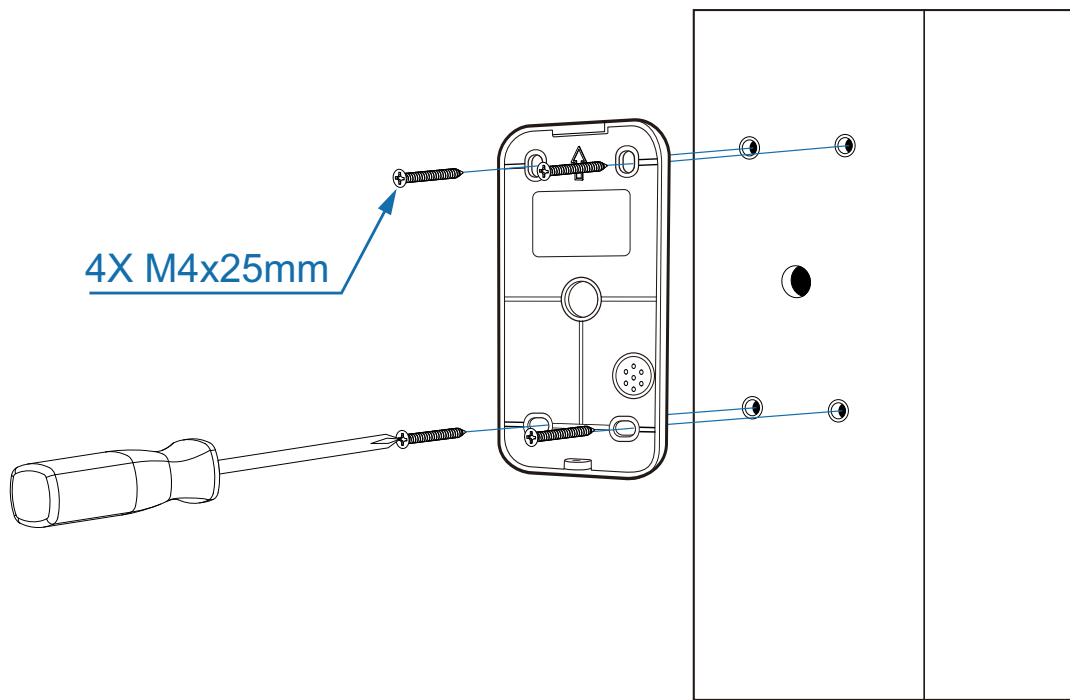


Figure 3 - Installation of Mounting Hardware

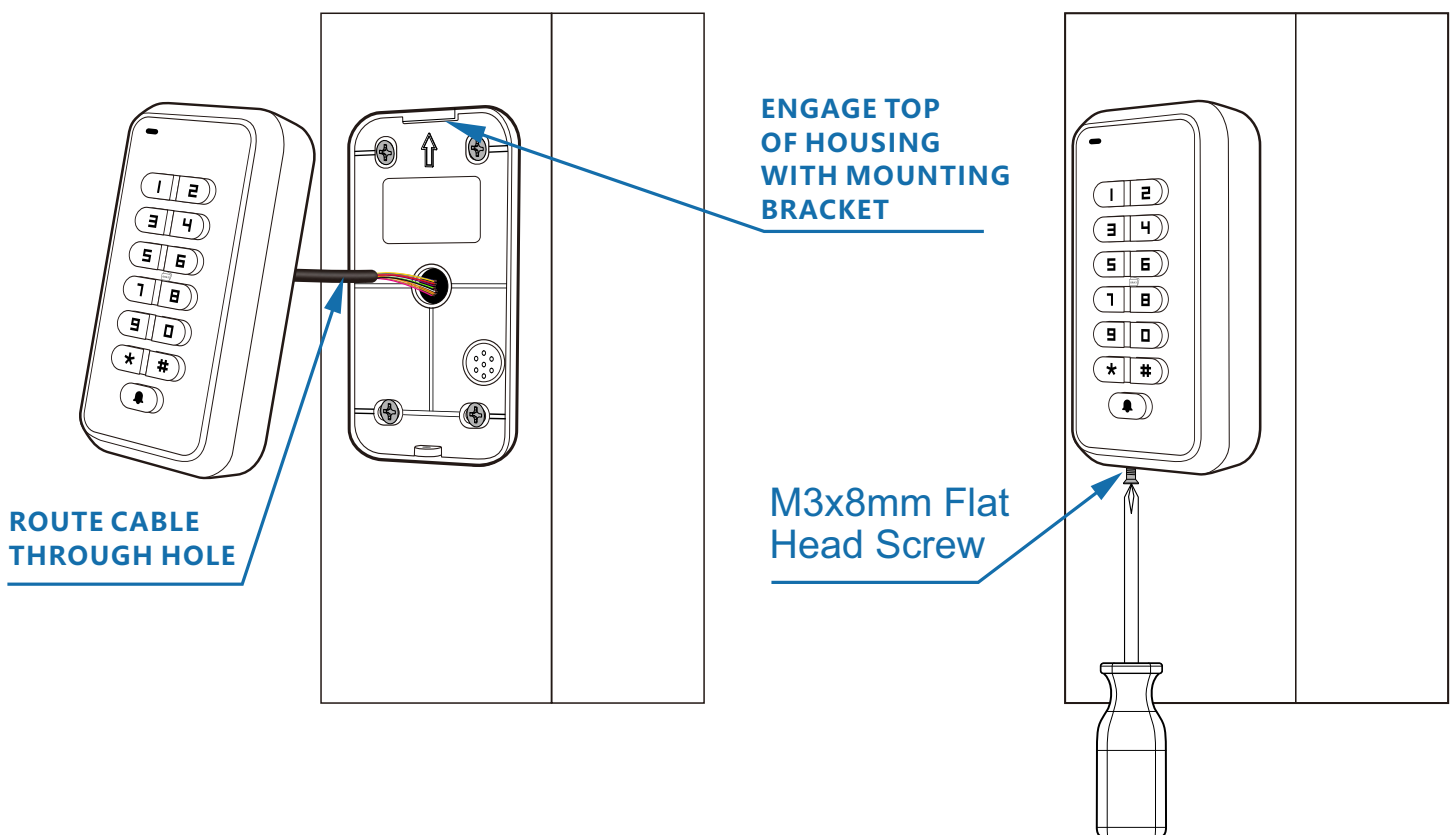
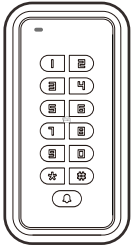


Figure 4 - Installation of HBK-A03

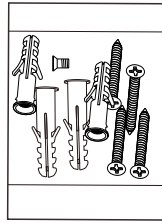
Figure 5 - Installation of securing screw

Packaging Details

After opening the package, please make sure the device is in good condition and confirm below accessories are complete or not.



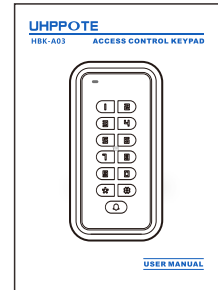
HBK-A03 x1



Accessories Package x1



Installation Drawing x1

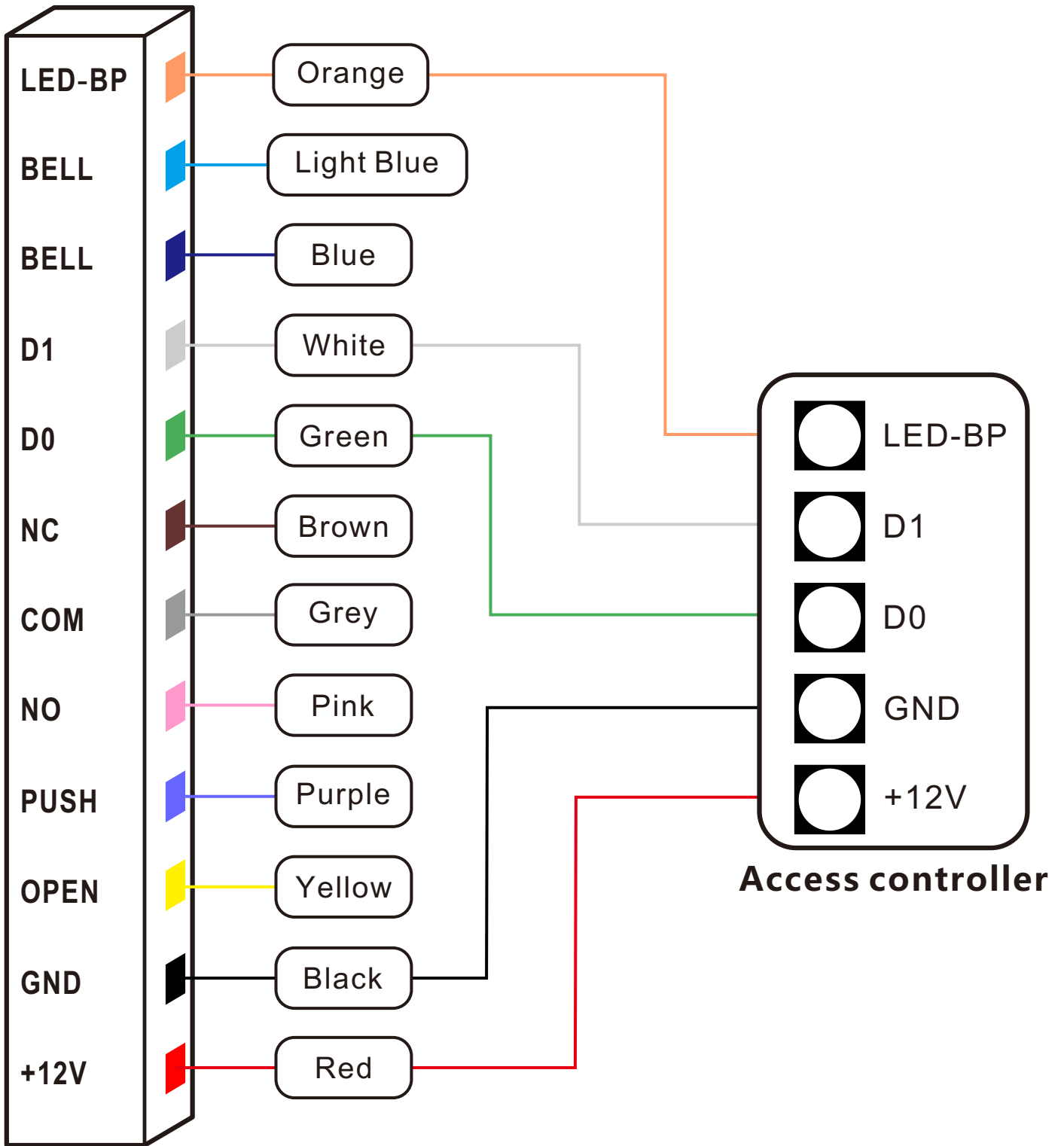


User Manual x1

Wiring Terminal Connections

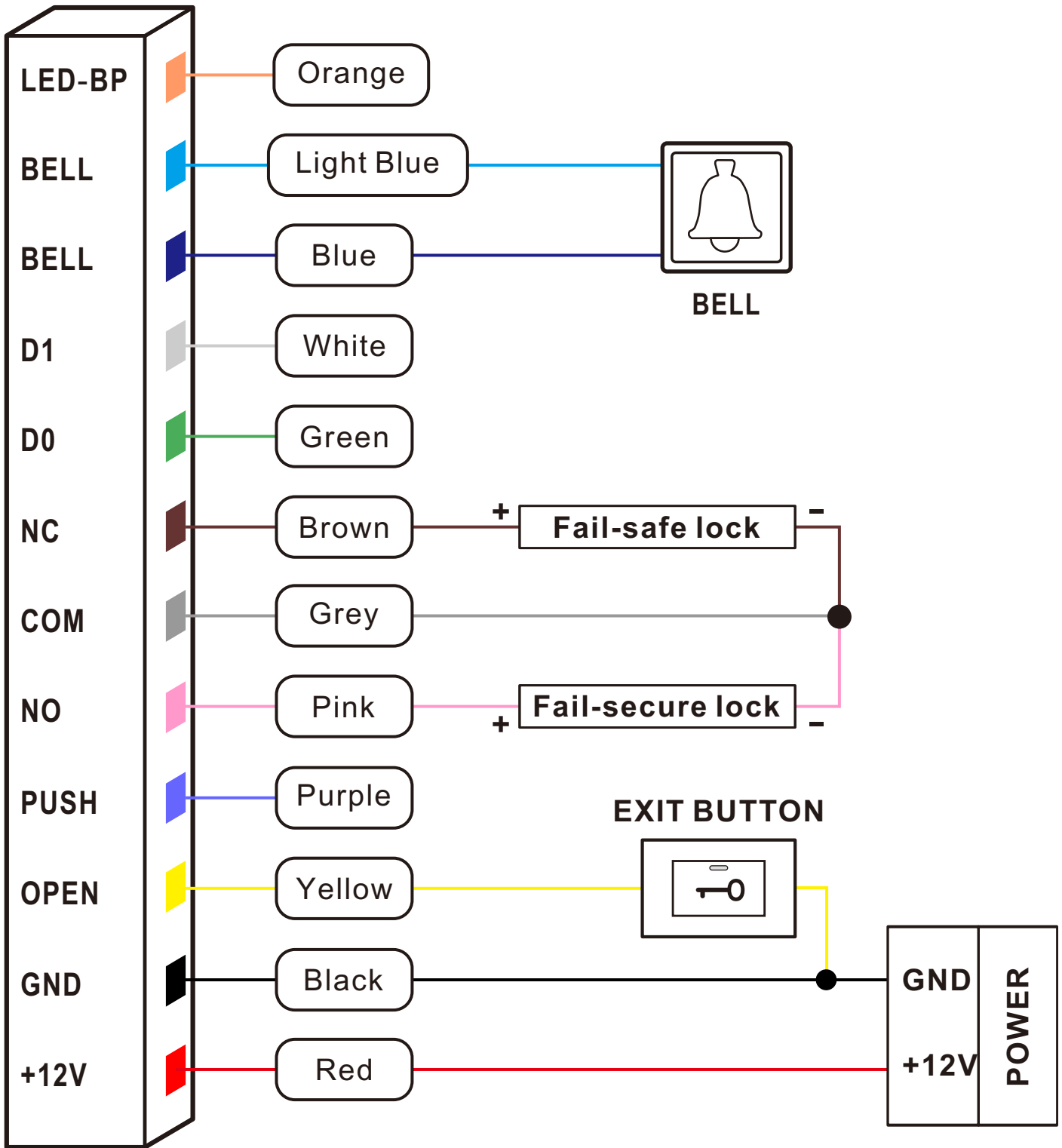
DKC Terminal	Wiring Reference	Wire Color
+12V	Positive DC supply lead	Red
GND	Ground	Black
OPEN	Opening signal outputs for connected to Exit Button	Yellow
PUSH	Control Signal outputs for connected to Special Power Supply	Purple
NO	NO	Pink
COM	COM	Grey
NC	NC	Brown
D0	Wiegand data zero	Green
D1	Wiegand data one	White
BELL	External doorbell	Blue
BELL	External doorbell	Light Blue
LED/BEEP	Green light and sound input for Wiegand Mode	Orange

Wiring diagram for operating as a Wiegand Output Reader

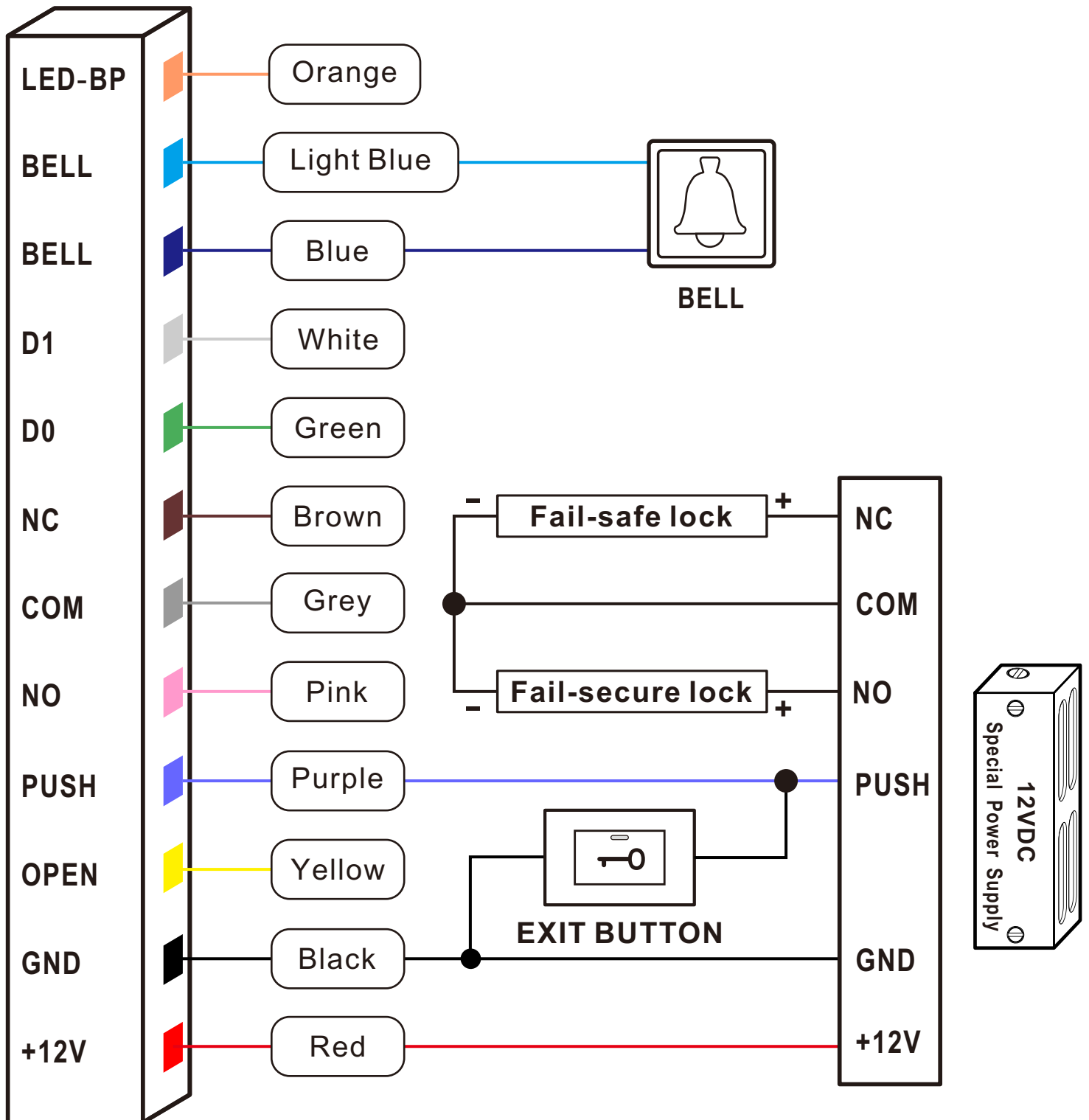


In this mode the device supports Wiegand 26 bit output.

Common Power Supply Diagram



Special Power Supply Diagram



Sound and Light Indication

Operation Status		LED Indicator	Sound
Standby	PIN only mode	White	
	Other mode	Red	
Press #		Flash yellow	
Press # #		Yellow	
In the programming mode	When a menu is waiting to be selected	Flash blue	
	When a menu has been selected	Blue	
Unlock the lock		Green	A short beep
Enter the PIN		Blue	
Operation successful		Flash green 1 time	A short beep
Operation failed		Flash red 3 times	3 short beeps
Press digit key			A short beep

Operation Guide

Purpose	Operation
Enter the programming mode	# Admin Code #
Return to previous menu in the programming mode	#
Exit from the programming mode	*
The following operations must be done in the programming mode	

Basic Operation

Change the admin code	0	New Admin Code # Repeat New Admin Code #	The admin code can be 4-8 long.
Add users	1	0 Read Card 1 Read Card 2 Read Card N #	To add card users
		1 User ID Number # Read Card #	To add a card user with ID number
		2 User ID Number # PIN #	To add or change a PIN user
		The user ID number is any 4-digit number from 0001 to 9999. Users can be added continuously by repeating the operation.	
Delete users	2	0 Read Card 1 Read Card 2 Read Card N #	Users can be deleted continuously.
		1 User ID Number #	The cards can be deleted when they are broken or lost.
		2 8 or 10 digits on the card #	For example, the card number is 0006307890 09616434, and you can input 0006307890 or 09616434.
		3 0000 #	To delete all users Attention: Delete all PIN & card users

Set public code	3	Public Code #	One public code is supported which can be used to open the door in any open mode.
		Repeat Public Code #	
		0000 #	To delete the public code
Set open mode	4	0 #	Entry is by either Card or PIN (Default)
		1 #	Entry is by Card and PIN together
		2 #	Entry is by PIN only
		3 #	Entry is by Card only
Set delay time	5	XX #	XX is any number from 0 to 99. The factory default setting is 3 seconds.

Advanced Application

6	1	XX #	Set multi-card access	XX is any number from 1 to 10. It is only for Card Only mode.
		The door will open only when the quantity of valid cards reached the set quantity.		
	2	1	Read Card #	Set admin add card
2		Read Card #	Set admin delete card	
0		#	Delete admin cards	

System Setting

8	1	0 #	Set output mode	Set the output mode to Normal Mode. The door will lock automatically after an unlock operation.
		1 #		Set the output mode to Toggle Mode. The door will keep unlocking until next unlock operation.
8	2	#	Set working as wiegand reader	

Optional Setting

9	1	0 #	Set sound	ON (Default)
		1 #		OFF
	2	0 #	Set keypad backlight	ON (Factory Default)
		1 #		OFF
		2 #		Auto Mode

Remark: The password can be set to 4-8 digits except zero in every digit.

Note that the following operations must be done exit from the programming mode

Set or change a PIN of an added card	# # Read an Added Card PIN # Repeat PIN #	
Reset to the default admin code	1. Power on. 2. Press 00 # within 10 seconds.	The default admin code is 123456. This operation will not delete the users.
Reset to default setting	1. Power on. 2. Press 99 # within 10 seconds.	

To Unlock the lock

For a PIN user	Input <input type="text" value="PIN"/> , then press <input type="text" value="#"/>
For a Card user	<input type="text" value="Read Card"/>
For a Card and PIN user	<input type="text" value="Read Card"/> (the LED indicator flashes green), then input <input type="text" value="PIN"/> <input type="text" value="#"/>

Keypad Operation

HBK-A03 are shipped in 'DKC' from the factory. When interfacing with the Wiegand, please change the keypad to 'Wiegand Mode'. Instructions on how to change from DKC to Wiegand mode are found below.

Changing to Wiegand Mode

- 1:** Enter the programming mode (See above 'Operation Guide').
- 2:** Press the '82 #' keys followed by pressing the '*' key.

Changing to Character Mode

- 1:** Remove power from the HBK-A03.
- 2:** Apply power to the HBK-A03.
- 3:** Press '99 #' keys within 10 seconds.

FCC Warning

FCC ID: 2A4H6HBK-A01

This device complies with part 15 of the FCC Rules. Operation is subject to the following two conditions: (1) this device may not cause harmful interference, and (2) this device must accept any interference received, including interference that may cause undesired operation. Any changes or modifications not expressly approved by the party responsible for compliance could void the user's authority to operate the equipment.

NOTE: This equipment has been tested and found to comply with the limits for a Class B digital device, pursuant to Part 15 of the FCC Rules. These limits are designed to provide reasonable protection against harmful interference in a residential installation. This equipment generates, uses and can radiate radio frequency energy and, if not installed and used in accordance with the instructions, may cause harmful interference to radio communications. However, there is no guarantee that interference will not occur in a particular installation. If this equipment does cause harmful interference to radio or television reception, which can be determined by turning the equipment off and on, the user is encouraged to try to correct the interference by one or more of the following measures:

- Reorient or relocate the receiving antenna.
- Increase the separation between the equipment and receiver.
- Connect the equipment into an outlet on a circuit different from that to which the receiver is connected.
- Consult the dealer or an experienced radio/TV technician for help. To maintain compliance with FCC's RF Exposure guidelines, This equipment should be installed and operated with minimum distance between 20cm the radiator your body: Use only the supplied antenna.

UHPPOTE

© 2023 HOBK Electronic Technology Co., Ltd All rights reserved



>75% recycled paper

Produced By HOBK