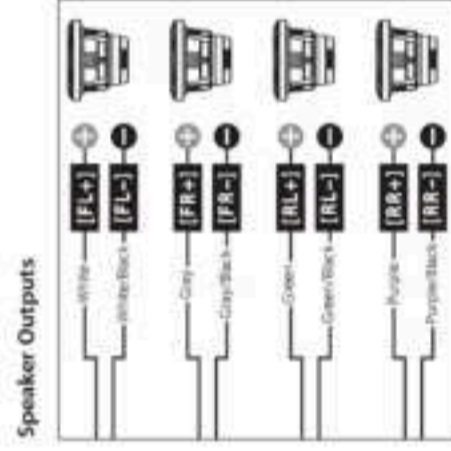
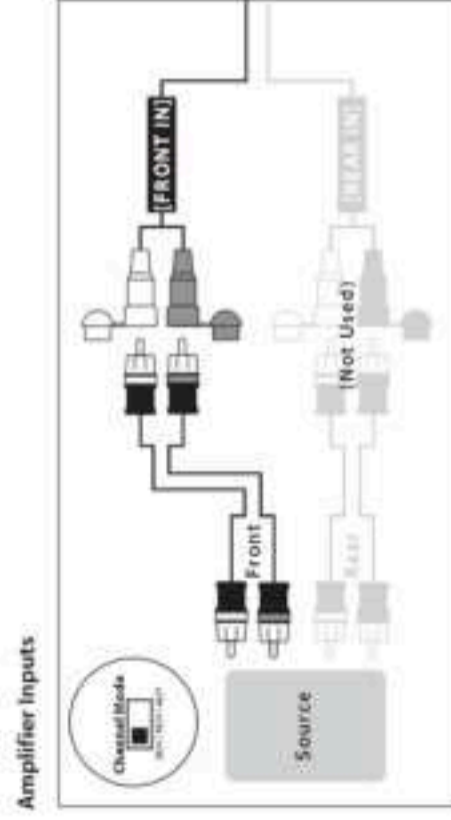




**4 Stereo Outputs (non-fading)**  
 Channel Mode: 2CH  
 Inputs: Use Front and Rear Inputs  
 RMS Power: 70W x 4 @ 4 Ω (125W x 4 @ 2 Ω)



FL+	ESPAÑOL	FRANCAIS	DEUTSCH
White	Blanco	Blanc	Weiß
White/Black	Blanco/Negro	Blanc/Noir	Weiß/Schwarz
Gray	Grís	Grís	Grâu
Gray/Black	Grís/Negro	Grís/Noir	Grâu/Schwarz
Green	Verde	Vert	Grün
Green/Black	Verde/Negro	Vert/Noir	Grün/Schwarz
Purple	Púrpura	Violet	Lib
Purple/Black	Púrpura/Negro	Violet/Noir	Lila/Schwarz

**Appendix A:**

**Input Sensitivity Level Setting**

Following the directions below will allow the installer to adjust the input sensitivity of each amplifier channel pair in just a few minutes using equipment commonly available in installation bays.

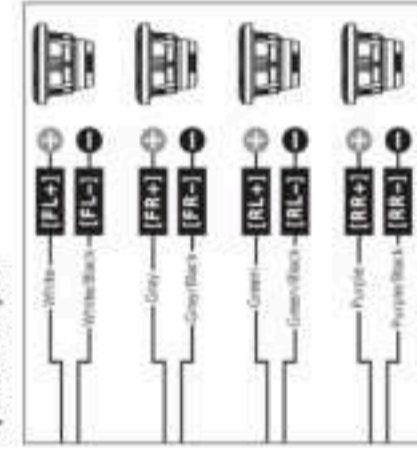
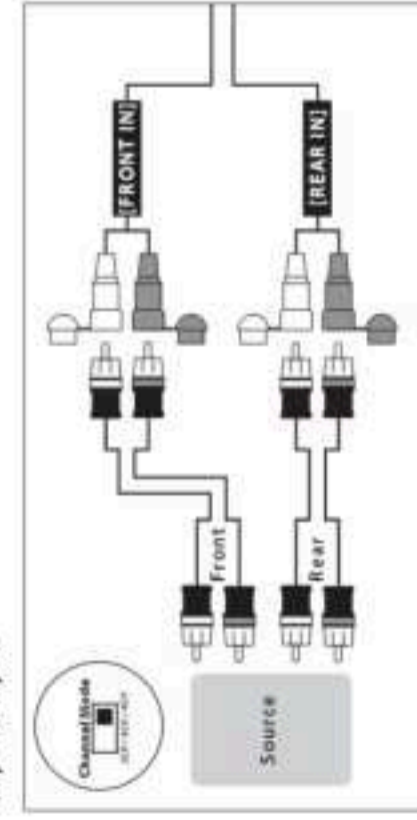
**Necessary Equipment**

- Digital AC Voltmeter
- CD or file with a sine-wave test tone recorded at 0 dB reference level in the frequency range to be amplified for that set of channels (50 Hz for subwoofer channels, 1 kHz for a midrange application). Do not use attenuated test tones (-10 dB, -20 dB, etc.).

**The Nine-Step Procedure**

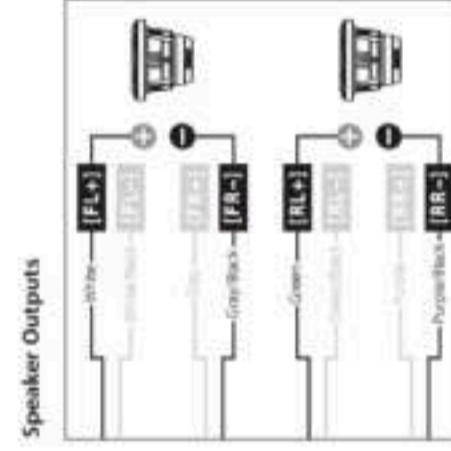
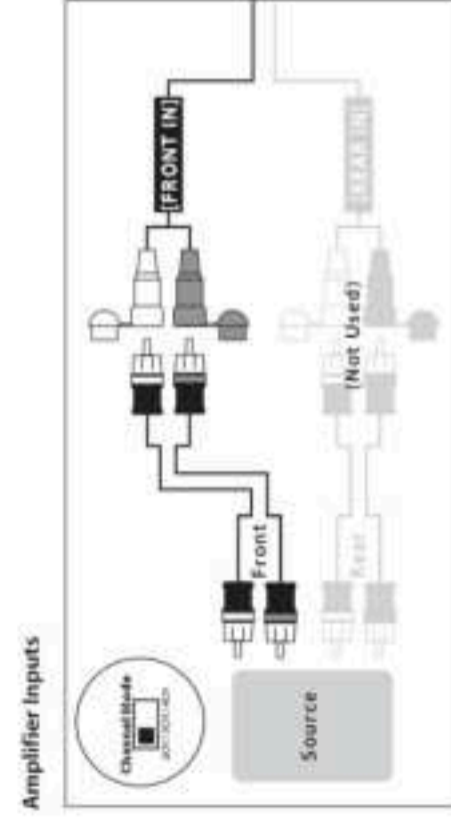
- 1) Disconnect the speakers from the amplifier's speaker output connectors (you need only disconnect one speaker wire).
- 2) Turn off all processing (bass/treble, loudness, EQ, etc.) on the source unit, processors (if used) and amplifier. Set the source unit's fader control to center position and its subwoofer level control to 3/4 of maximum.
- 3) Turn the "Input Sens." control all the way down.
- 4) Set the source unit volume to 3/4 of full volume. This will allow for reasonable gain overlap with moderate clipping at full volume.
- 5) Using the chart on this page, determine the target voltage for input sensitivity adjustment according to the nominal impedance of the speaker system connected to the amplifier outputs.
- 6) Verify that you have disconnected the speakers before proceeding. Play a track with an appropriate sine wave (within the frequency range to be amplified) at 3/4 source unit volume.
- 7) Connect the AC voltmeter to the speaker output connectors of the amplifier. Make sure you test the voltage at the correct connectors (L+ and L-).
- 8) Increase the "Input Sens." control until the target voltage is observed with the voltmeter.
- 9) Once you have adjusted the amplifier to its maximum low-distortion output level, reconnect the speaker(s) and listen to the system. The "Input Sens." controls can now be adjusted downward if the amplifier requires attenuation to achieve the desired system balance.

**Amplifier Inputs**



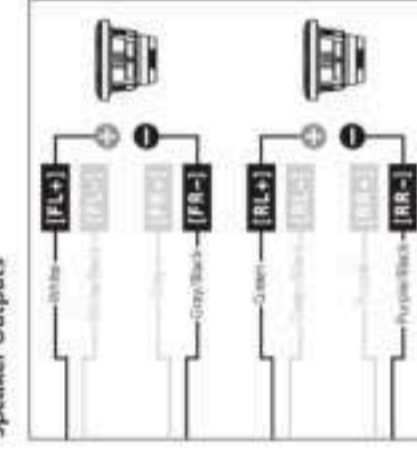
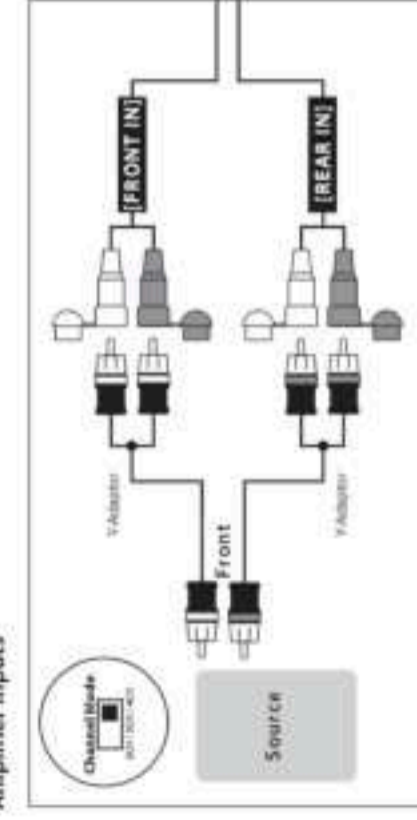
FL+	ESPAÑOL	FRANCAIS	DEUTSCH
White	Blanco	Blanc	Weiß
White/Black	Blanco/Negro	Blanc/Noir	Weiß/Schwarz
Gray	Grís	Grís	Grâu
Gray/Black	Grís/Negro	Grís/Noir	Grâu/Schwarz
Green	Verde	Vert	Grün
Green/Black	Verde/Negro	Vert/Noir	Grün/Schwarz
Purple	Púrpura	Violet	Lib
Purple/Black	Púrpura/Negro	Violet/Noir	Lila/Schwarz

**Amplifier Inputs**



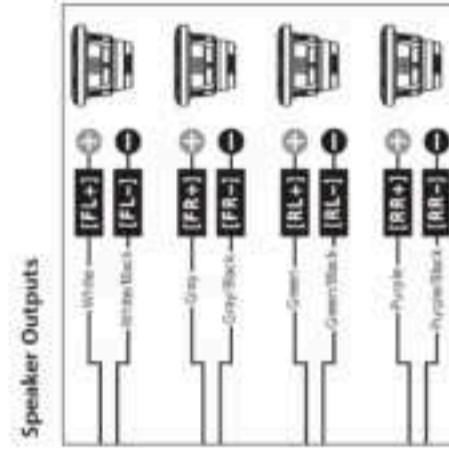
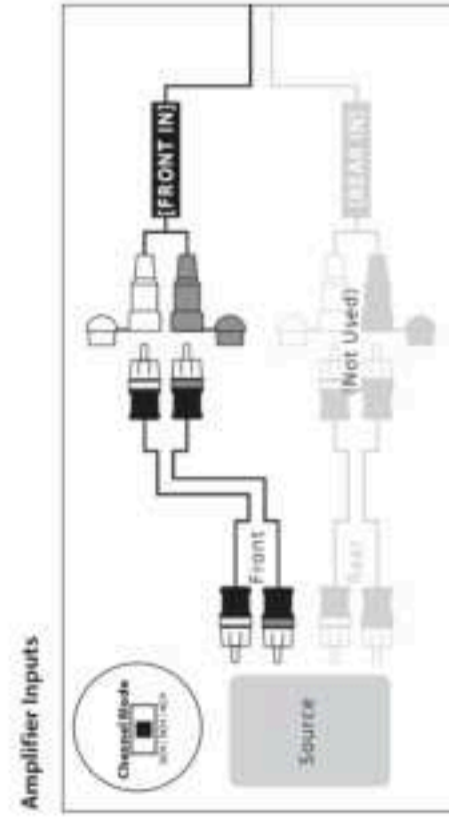
FL+	ESPAÑOL	FRANCAIS	DEUTSCH
White	Blanco	Blanc	Weiß
White/Black	Blanco/Negro	Blanc/Noir	Weiß/Schwarz
Gray	Grís	Grís	Grâu
Gray/Black	Grís/Negro	Grís/Noir	Grâu/Schwarz
Green	Verde	Vert	Grün
Green/Black	Verde/Negro	Vert/Noir	Grün/Schwarz
Purple	Púrpura	Violet	Lib
Purple/Black	Púrpura/Negro	Violet/Noir	Lila/Schwarz

**Amplifier Inputs**



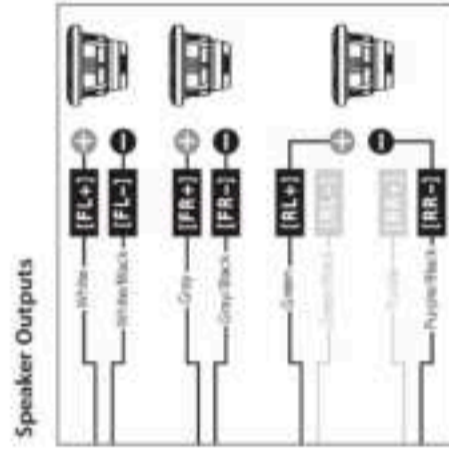
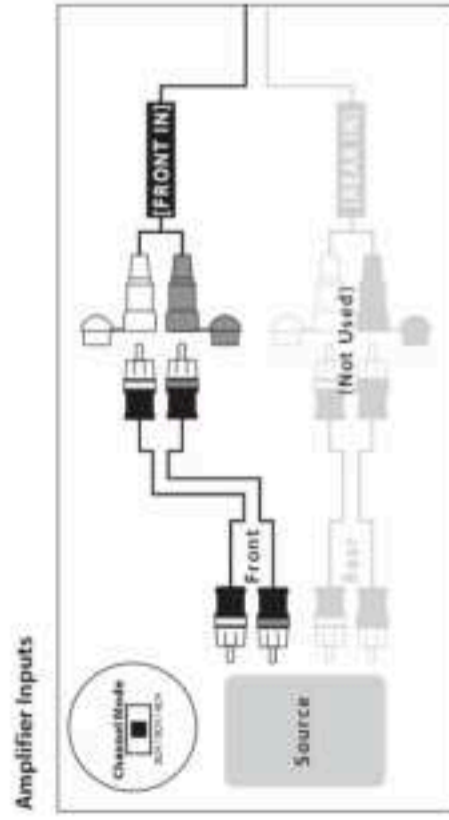
FL+	ESPAÑOL	FRANCAIS	DEUTSCH
White	Blanco	Blanc	Weiß
White/Black	Blanco/Negro	Blanc/Noir	Weiß/Schwarz
Gray	Grís	Grís	Grâu
Gray/Black	Grís/Negro	Grís/Noir	Grâu/Schwarz
Green	Verde	Vert	Grün
Green/Black	Verde/Negro	Vert/Noir	Grün/Schwarz
Purple	Púrpura	Violet	Lib
Purple/Black	Púrpura/Negro	Violet/Noir	Lila/Schwarz

**Amplifier Inputs**



FL+	ESPAÑOL	FRANCAIS	DEUTSCH
White	Blanco	Blanc	Weiß
White/Black	Blanco/Negro	Blanc/Noir	Weiß/Schwarz
Gray	Grís	Grís	Grâu
Gray/Black	Grís/Negro	Grís/Noir	Grâu/Schwarz
Green	Verde	Vert	Grün
Green/Black	Verde/Negro	Vert/Noir	Grün/Schwarz
Purple	Púrpura	Violet	Lib
Purple/Black	Púrpura/Negro	Violet/Noir	Lila/Schwarz

**Amplifier Inputs**



FL+	ESPAÑOL	FRANCAIS	DEUTSCH
White	Blanco	Blanc	Weiß
White/Black	Blanco/Negro	Blanc/Noir	Weiß/Schwarz
Gray	Grís	Grís	Grâu
Gray/Black	Grís/Negro	Grís/Noir	Grâu/Schwarz
Green	Verde	Vert	Grün
Green/Black	Verde/Negro	Vert/Noir	Grün/Schwarz
Purple	Púrpura	Violet	Lib
Purple/Black	Púrpura/Negro	Violet/Noir	Lila/Schwarz

**Troubleshooting**

Problem	Possible Cause	Solution
How to properly set input sensitivity		Please refer to Appendix A to set the input sensitivity for maximum, low-distortion output. Remove fuse and check with continuity meter. Replace if necessary.
Amplifier doesn't turn on	Faulty fuse Poor connection integrity Insufficient "Remote" input	Check "+12V", "Ground", and "Remote" leads for pinched wires; ensure tight connections. Make sure there is a sufficient +12V supply at the "Remote" connection; if not a relay may be required.
Intermittent output, fluctuates when I tap on it or hit a bump	Poor connection integrity	Make sure insulation has been properly stripped back at connection points for good contact area. Make sure input connectors are making good contact with input jacks of the amplifier.
Distorted, attenuated, or popping sound	Faulty speaker connection (Short Circuit / Over Current Protection)	Inspect speaker wires for possible short-circuit, either together or shorted to the vehicle's chassis ground. Check the nominal load impedance at the amplifier is equal to or greater than 2-ohms stereo (4-ohms bridged).
Output shuts off after a while	Overheating condition (Thermal Protection)	Make sure amplifier mounting area has adequate space for ventilation and heat dissipation.

**Limited Warranty - Amplifiers (USA)**

JL Audio warrants this product to be free of defects in materials and workmanship for a period of two (2) years from the original date of purchase. This warranty is not transferable and applies only to the original purchaser from an authorized JL Audio dealer. Should service be necessary under this warranty for any reason due to manufacturing defect or malfunction, JL Audio will (at its discretion), repair or replace the defective product with new or remanufactured product at no charge. Damage caused by the following is not covered under warranty: accident, misuse, abuse, product modification or neglect, failure to follow installation instructions, unauthorized repair attempts, misrepresentations by the seller. This warranty does not cover incidental or consequential damages and does not cover the cost of removing or reinstalling the unit(s). Cosmetic damage due to accident or normal wear and tear is not covered under warranty.

**Warranty is void if the product's serial number has been removed or defaced.**  
 Any applicable implied warranties are limited in duration to the period of the express warranty as provided herein beginning with the date of the original purchase at retail, and no warranties, whether express or implied, shall apply to this product thereafter. Some states do not allow limitations on implied warranties, therefore these exclusions may not apply to you. This warranty gives you specific legal rights, and you may also have other rights, which vary from state to state.

**If you need service on your JL AUDIO product:**

All warranty returns should be sent to JL Audio's Amplifier Service Facility freight-prepaid through an authorized JL Audio dealer and must be accompanied by proof of purchase (a copy of the original sales receipt). Direct returns from consumers or non-authorized dealers will be refused unless specifically authorized by JL Audio with a valid return authorization number. Warranty expiration on products returned without proof of purchase will be determined from the manufacturing date code. Coverage may be invalidated as this date is previous to purchase date. Non-defective items received will be returned freight-collect. Customer is responsible for shipping charges and insurance in sending the product to JL Audio. Freight damage on returns is not covered under warranty.

**For Service Information in the U.S.A., please call**  
**JL Audio Customer Service:**

(954) 443-1100  
 9:00 AM - 5:30 PM (Eastern Time Zone)  
**JL Audio, Inc.**  
 10369 North Commerce Pkwy.  
 Miramar, FL 33025

(Do not send product for repair to this address)

**International Warranties:**

Products purchased outside the United States of America are covered only by that country's distributor and not by JL Audio, Inc.