

 **TRUE FITNESS**



## **VAPOR STRYKER SLAT TREADMILL**

OWNER'S MANUAL AND ASSEMBLY GUIDE



## IMPORTANT—PLEASE READ

All products shown are prototype. Actual product delivered may vary. Product specifications, features, and software are subject to change without notice.

For the most up-to-date version of this manual, please see our website: <https://truefitness.com/services-support/user-manuals/>

## CONTACTING OUR SUPPORT TEAM

To contact TRUE for any of your pre or post installation questions, please call our toll-free numbers Monday - Friday 8:30am - 5:00pm (CST):

- Commercial Direct Customers and Corporate Accounts | 800.868.8783
- Retail Customers and Distributors | 800.883.8783

Or email us:

- Commercial Direct Customers and Corporate Accounts | [service.direct@truefitness.com](mailto:service.direct@truefitness.com)
- Retail Customers and Distributors | [service@truefitness.com](mailto:service@truefitness.com)
- Service International | [int.service@truefitness.com](mailto:int.service@truefitness.com)

When contacting TRUE, please have the following information ready:

- Serial Number of Unit
- Contact Information—Full Name, Email, and Phone Number
- Address of Facility or Residence
- Detailed Description Regarding Symptom of the Unit (along with pictures or video if applicable)

**NOTE:** Authorized service providers, dealers, and distributors may also use TRUE's online resource | [portal.truefitness.com](http://portal.truefitness.com).

## CONTACTING OUR SALES TEAM

Interested in owning more TRUE products? Please contact us with any product inquires so that we may direct you to the appropriate sales representative to help answer your questions.

- Phone | 800.426.6570
- Email | [sales@truefitness.com](mailto:sales@truefitness.com)
- Hours | Monday - Friday 8:30am - 5:00pm (CST)

## **REPORTING FREIGHT CLAIMS OR PARTS DAMAGE**

Unfortunately, sometimes materials can be damaged during shipment. If materials are damaged during shipment, please follow the guidelines below to determine the appropriate process for you to follow.

### **Severe Damage—Obvious damage to external packaging and internal product.**

Please refuse the shipment and it will be returned to TRUE by the carrier. Contact TRUE product support by calling 800.883.8783 or sales support by calling 800.426.6570 Monday–Friday during normal business hours to notify us that the shipment has been refused. Once we have received the damaged shipment, a replacement shipment will be sent to you. If the shipment comes in multiple boxes, only refuse boxes with damage.

### **Slight Damage—Minimal damage to external packaging with unknown internal damage to product.**

If the shipment has minimal damages and you are not sure if the actual product is damaged, you must sign the bill of lading as damaged when accepting the shipment. Once you have opened the box and you have determined something is indeed damaged, please gather the serial number, model number, description of damage, and photos of damage. Please make sure the photos include the damaged product as well as the damaged box the product arrived in. Contact TRUE product support ([service@truefitness.com](mailto:service@truefitness.com) | 800.883.8783) or TRUE sales support ([sales@truefitness.com](mailto:sales@truefitness.com) | 800.426.6570) Monday–Friday during normal business hours.

### **Concealed Damage—No damage to external packaging but internal damage to product.**

You may receive a shipment that looks intact and discover once the box has been opened that there are hidden damages. Please notify the carrier immediately. TRUE will not be able to file a claim if the carrier is not notified in a timely manner. Once you have called the carrier you will need to gather the serial number, model number, description of damage, and photos of damage. Contact TRUE product support ([service@truefitness.com](mailto:service@truefitness.com) | 800.883.8783) or TRUE sales support ([sales@truefitness.com](mailto:sales@truefitness.com) | 800.426.6570) Monday–Friday during normal business hours.

# TABLE OF CONTENTS

## SAFETY INSTRUCTIONS

IMPORTANT SAFETY INSTRUCTIONS—SAVE THESE INSTRUCTIONS.....	5
POWER REQUIREMENTS.....	7
SPACE REQUIREMENTS.....	8
SPECIFICATIONS.....	8
WARNING DECALS.....	9
COMPLIANCES.....	9
PROPER TRAINING POSITION AND TREADMILL SAFETY.....	10

## ASSEMBLY INSTRUCTIONS

PREASSEMBLY CHECKLIST.....	11
ASSEMBLY STEPS.....	14

## PRODUCT FEATURES

BASE OVERVIEW.....	32
CONSOLE OVERVIEW.....	33

## CARE AND MAINTENANCE

INSPECTION.....	35
CLEANING THE EQUIPMENT.....	35
MOVING THE MACHINE.....	36
LEVELING THE MACHINE.....	37
TENSIONING THE SLAT BELT.....	38
PREVENTATIVE MAINTENANCE.....	39
LONG TERM STORAGE.....	39

## ADDITIONAL INFORMATION

TROUBLESHOOTING.....	40
----------------------	----

## WARRANTY INFORMATION

COMMERCIAL WARRANTY .....	42
LIMITED-USE COMMERCIAL WARRANTY .....	43
IN-HOME USE WARRANTY .....	44
WARRANTY DETAILS .....	45
WARRANTY REGISTRATION .....	46

# SAFETY INSTRUCTIONS

## IMPORTANT SAFETY INSTRUCTIONS—SAVE THESE INSTRUCTIONS

This equipment is intended for a commercial or institutional setting. This owner's manual should be accessible to all personal trainers, faculty, and members.

- Read and understand all instructions and warnings prior to use.
- Obtain a medical exam before beginning any exercise program. If at any time during exercise you feel faint, dizzy, or experience pain, stop and consult your physician.
- Obtain proper instruction prior to use.
- This unit is intended for commercial use only. Usage class: SC.
- This unit is intended for indoor use only.
- Inspect the unit for incorrect, worn, or loose components and do not use until corrected, replaced, or tightened prior to use.
- Do not wear loose or dangling clothing while using the unit.
- Care should be used when mounting or dismounting the unit.
- Read, understand, and test the emergency stop procedures before use.
- Disconnect all power before servicing the unit.
- Do not exceed maximum user weight of 500 lbs / 226.7 kg.
- Keep the top side of the moving surface clean and dry.
- Keep children and animals away.
- Use caution when moving and assembling unit.
- All exercise equipment is potentially hazardous. If attention is not paid to the conditions of equipment usage, death, or serious injury could occur.

**⚠ DANGER:** To reduce the risk of electric shock, always unplug this product when not in use, before cleaning, or attempting any maintenance activity. Do not handle the plug with wet hands.

**⚠ WARNING:** To reduce the risk of burns, fire, and electric shock or injury to persons, follow these instructions:

- Heart rate monitoring systems may be inaccurate. Over-exercising may result in serious injury or death. If you feel faint, dizzy, or experience pain, stop exercising immediately.
- Health related injuries may result from incorrect or excessive use of exercise equipment.
- TRUE STRONGLY recommends seeing a physician for a complete medical exam before undertaking an exercise program, particularly if the user has a family history of high blood pressure or heart disease, is over the age of 45, smokes, has high cholesterol, is obese or has not exercised regularly in the past year. Additionally, TRUE recommends consulting a fitness professional on the correct use of this product.
- Equipment should be immediately taken out of use if it fails to work properly or when a warning is presented electronically.
- When using this exercise machine, basic precautions should always be followed.
- Use this equipment only for its intended use as described in this manual.
- This stationary training equipment is not suitable for high accuracy purposes.
- Do not move the equipment by lifting the console. Do not use the console as a handlebar during a workout.
- This product can expose you to chemicals including Toluene and Acrylamide which are known to the State of California to cause Cancer and birth defects or other reproductive harm. For more information, go to [www.P65Warnings.ca.gov](http://www.P65Warnings.ca.gov).
- Keep equipment stable on flat ground.
- Risk of personal injury—crushing hazard when equipment is in operation. Keep feet, hands, and fingers away from moving parts.
- Replace warning labels that may be worn, damaged, or missing.
- Replace any non-working or damaged components, remove the unit from service until repair is performed.
- Do not operate the equipment while being covered with a blanket, pillow, plastic, or anything that insulates or stops airflow. Keep air openings free of lint, hair or any obstructing material.
- To avoid serious injury, remove and store the power cord when the machine is not in use.
- This appliance should never be left unattended when plugged in.
- Do not use any type of extension cord with this product.
- Never operate a TRUE product if it has a damaged power cord or electrical plug, or if it has been dropped, damaged, or even partially immersed in water.
- Use a TRUE AC power cord or AC/DC adapter only.
- Position this product so the power cord plug is accessible to the user.

- Keep the power cord away from heated surfaces. Do not pull the equipment by the power cord or use the cord as a handle. Do not run the power cord along the side or under the equipment.
- If the electrical supply cord is damaged it must be replaced by the manufacturer, an authorized service agent, or a similarly qualified person to avoid a hazard.
- This product must be connected to a properly grounded electrical outlet.
- To disconnect, turn power OFF at the ON/OFF switch if applicable, then remove plug from electrical outlet. On the machine power switch, (⏻) means that the machine power is **ON** and (⏻) means the machine power is **OFF**.
- Never insert objects into any openings in this product. If an object should drop inside, turn off the power, unplug the power cord from the outlet and carefully retrieve it. If the item cannot be reached, contact TRUE product support.
- Any changes or modifications to this equipment could void the product warranty.
- Do not use this product in areas where aerosol spray products are being used or where oxygen is being administered. Such substances create the danger of combustion and explosion.
- Do not use this product outdoors, near water, while wet, or in areas of high humidity including extreme temperature changes.
- Close supervision is necessary when used near children under the age of 15, or disabled persons.
- This equipment is not intended for use by persons with reduced physical, sensory, or mental capabilities, or lack of experience and knowledge, unless they are supervised or have been given instruction concerning use of the equipment by a person responsible for their safety.
- Children shall not play with the appliance.
- Cleaning and user maintenance shall not be made by children without supervision.
- Wear shoes with rubber or high traction soles. Do not use shoes with heels, leather soles, cleats or spikes. Make sure no stones are embedded in the soles. Do not use this product in bare feet. Keep all loose clothing, shoelaces and towels away from moving parts.
- Do not use if you have a cold or fever.
- To avoid injury, attach the safety clip to clothing before use.
- When mounting the treadmill, ensure the treadmill belt is not running.
- Use handlebars to maintain balance when mounting and dismounting the treadmill and for additional stability while exercising.
- To avoid injury, stand on the side rails before starting the equipment.
- While the treadmill is in use, proceed at a speed that the user can safely maintain with the ability to immediately engage the safety key to stop the treadmill belt if necessary.
- Avoid the possibility of bystanders being struck or caught between moving parts by making sure that they are out of reach of the equipment while it is in motion.
- Do not use typing or web surfing features at excessive speeds. Always stabilize yourself when using typing or web surfing features. (Varies by console option.)
- Never place liquids of any type directly on the unit except in the accessory tray or bottle holders. Containers with lids are recommended.
- Always follow the console instructions for proper operation.
- Do not use the contact heart rate grips as a handlebar during a workout.
- Avoid exiting equipment while leaving the tread belt in motion.
- Never walk or jog backwards on the equipment.
- Allow only one person at a time on the equipment while it's operating.
- Do not allow animals on or near the equipment while in operation.
- To avoid serious injury, do not touch the incline rack while the equipment is in use.
- To avoid serious injury, do not touch the belt while the equipment is in use.
- Do not reach into or underneath the unit, or tip it on its side during operation.
- Do not change the incline of the equipment by placing objects under it.
- Do not use attachments not recommended by the manufacturer.
- Allow only trained personnel to service this equipment.
- It is the sole responsibility of the owner/operator to ensure regular and scheduled maintenance is performed.
- Do not remove the motor cover or you may risk injury due to electric shock. Please contact TRUE product support if the motor area needs servicing.
- Noise emission under load is higher than without load. A-weighted emission sound pressure level at the trainer's ear: 67 dBA.

## POWER REQUIREMENTS

Read and understand all instructions before plugging any TRUE power cord into an electrical outlet.

### DEDICATED LINE

This product requires a dedicated line without GFCI (Ground-Fault Circuit Interrupter) or AFCI (Arc-Fault Circuit Interrupter). GFCI and AFCI protection is not required for receptacles on a dedicated branch circuit located and identified for a cord-and-plug-connected appliance, such as a treadmill. A dedicated line assures that adequate power is available for safe operation over the life of your TRUE product.

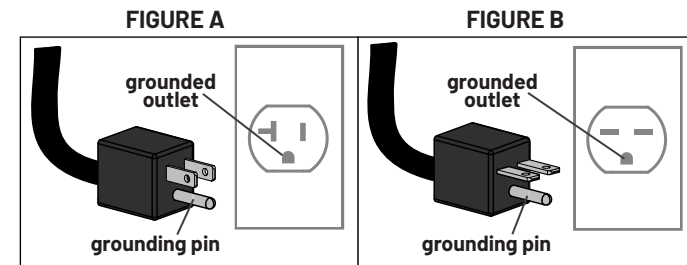
### GROUNDING INSTRUCTIONS

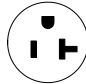
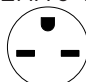
This product must be grounded. If the product malfunctions or breakdowns, grounding provides a path of least resistance for electric current to reduce the risk of electric shock. This product is equipped with a cord having an equipment grounding conductor and a grounding plug. The plug must be plugged into an appropriate outlet that is properly installed and grounded in accordance with all local codes and ordinances.

#### **⚠ DANGER:**

- Improper connection of the equipment grounding conductor can result in risk of electrical shock.
- Check with a qualified electrician or service provider if you are in doubt as to whether the equipment is properly grounded or installed on a dedicated line.
- Seek a qualified electrician to perform any modifications to the cord or plug. TRUE is not responsible for injuries or damages as a result of cord or plug modification.

- To reduce the risk of burns, fire, electric shock, or injury, it is imperative to connect each product to a properly grounded 110V or 220V electrical outlet. The voltage required for your unit is located on the serial number decal (usually on the front of the unit). Depending on where you live voltage requirements differ.
- Some TRUE products require a circuit rated 110V, 60 Hz, and 20 amps. In the United States, most residential homes have circuits rated 110V, 60 Hz, and 15 amps. If your unit requires a 20 amp outlet, contact an electrician to install a dedicated 20 amp circuit prior to use.
- **110 Volt**—This model is for use on a nominal 110V circuit and has a grounding plug that looks like the plug illustrated in figure A. Make sure the product is connected to an outlet having the same configuration as the plug. No adapter should be used with this product.
- **220 Volt**—This model is for use on a circuit having a nominal rating no less than 208V and more than 240V and is factory equipped with a specific electric cord and has a grounding plug that looks like the plug illustrated in figure B. Make sure that the product is connected to an outlet having the same configuration as the plug in figure B. No adapter should be used with this product. If the product must be reconnected for use on a different type of electric circuit, the reconnection should be made by qualified service personnel.

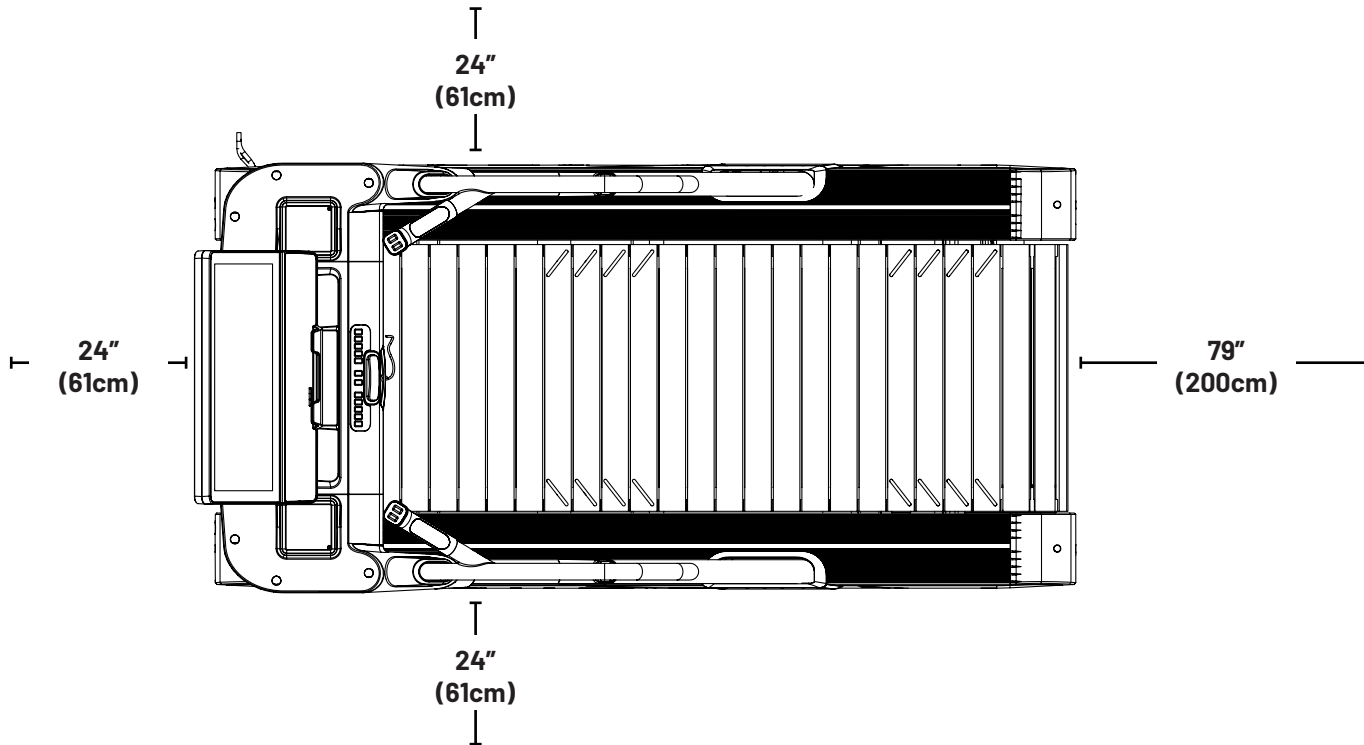


Power Information						
Model	Line Voltage (V)	Frequency (Hz)	Rated Current (Amps)	Number of Units per Circuit	Plug/Outlet*	Max Power Dissipation (Watt)
TC1-SA-35	110	50/60Hz	20	Dedicated 1	NEMA 5-20 	1650
	220	50/60Hz	8	Dedicated 1	NEMA 6-15* 	1650

\*The plug configuration for the power adapter may vary by country.

## SPACE REQUIREMENTS

TRUE recommends leaving a minimum of 24" (61cm) on each side of the equipment and a 79" (200cm) safety zone at the rear of the equipment. This space is required if the user needs to make an emergency dismount from the machine. Do not place other equipment in this space.



## SPECIFICATIONS

- **DIMENSIONS (L X W X H)**  
72" x 35" x 64" / 182cm x 89cm x 163cm
- **MACHINE WEIGHT**  
599 lbs / 271.7 kg
- **MAXIMUM USER WEIGHT**  
500 lbs / 226.7 kg



## WARNING DECALS

**⚠ WARNING:** Replace warning labels that may be worn, damaged, or missing.

To replace any worn or missing decals contact TRUE product support (service@truefitness.com | 800.883.8783).

**TRUE FITNESS**  
TRUE FITNESS TECHNOLOGY, INC.  
865 HOFF RD. ST. LOUIS, MO 63366, USA

Model No. **TC1-SA-35**  
Serial No./Date Code **24-TC1SA35001A**

PRODUCT: Treadmill  
CLASS: SB  
STANDARD: EN ISO 20957-1  
EN957-6  
MAXIMUM USER WEIGHT: 226.7kg/500lbs

ETL LISTED US  
Intertek  
3135202

CONFORMS TO ANSI/UL  
STD. 1647  
CERTIFIED TO CAN/CSA  
STD. C22.2 NO. 68

Intertek Testing Services Taiwan Ltd. MADE IN TAIWAN



**NOTICE**

Position mechanical moving equipment (i.e. fork lift) between the transportation wheels assembly and the incline wheels assembly. Failure to do so may result in damage to equipment.

P4 00707525

## COMPLIANCES

This equipment complies with all applicable codes and regulations. For a complete list of compliances, please visit [www.truefitness.com](http://www.truefitness.com).

# PROPER TRAINING POSITION AND TREADMILL SAFETY

## Treadmill Entry

When first stepping on the treadmill, step onto the side rails (straddle covers) and hold the hand rails until both feet are fully on the belt.

## Treadmill Use

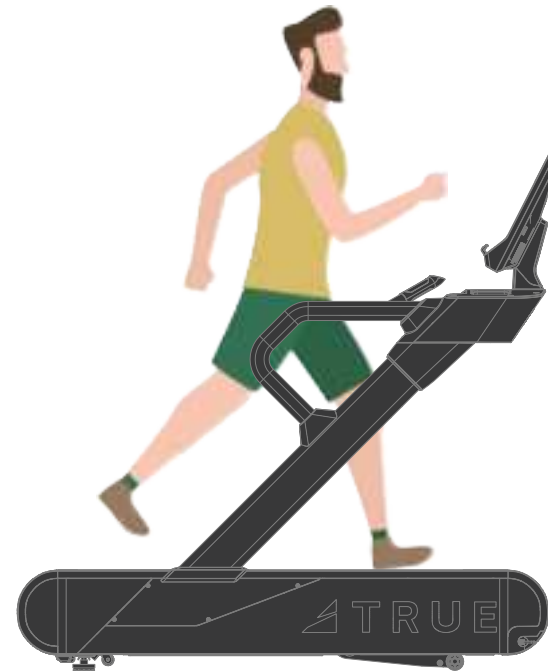
Ensure you have good balance and your feet are stable before you start the treadmill.

Keep your gaze forward and avoid looking down or to your sides, this will help maintain good balance and prevent falls.

While using, ensure all hands, legs, and feet remain within the boundary box of the treadmill belt.

## Treadmill Exit

When getting off the treadmill, wait until the belt comes to a full stop, then step on the side rails (straddle covers) and then onto the floor.



# ASSEMBLY INSTRUCTIONS



**NOTE:** Supplemental video available @TRUEFitnessservicevids: <https://www.youtube.com/watch?v=MsbivI9SB64>

## PREASSEMBLY CHECKLIST

### BASIC GUIDELINES FOR SETTING UP THE EQUIPMENT

After removing the equipment from the packaging, place the equipment on a clean, level surface. Make sure the electrical cord easily reaches a grounded three-pronged outlet.

**⚠ DANGER:** Do not use an extension cord or ungrounded outlet. The ground helps prevent electrical damage to your equipment and enhances your safety by helping to prevent shock. Check with a qualified electrician or serviceman if you are in doubt as to whether the equipment is properly grounded. Do not modify the plug provided with the unit if it will not fit the outlet. Have a proper outlet installed by a qualified electrician.

### ⚠ CAUTION:



**Use caution when assembling the equipment.**  
Unpacking and assembling of this product is a two person task.



**Use caution when unpacking this product. Avoid damage to the product.**  
**DO NOT use a box cutter. DO NOT slice into the packaging.**

### VERIFY BOX CONTENTS

**IMPORTANT!** Please verify box contents. If you have questions, or if there are any missing parts, contact product support ([service@truefitness.com](mailto:service@truefitness.com) | 800.883.8783).

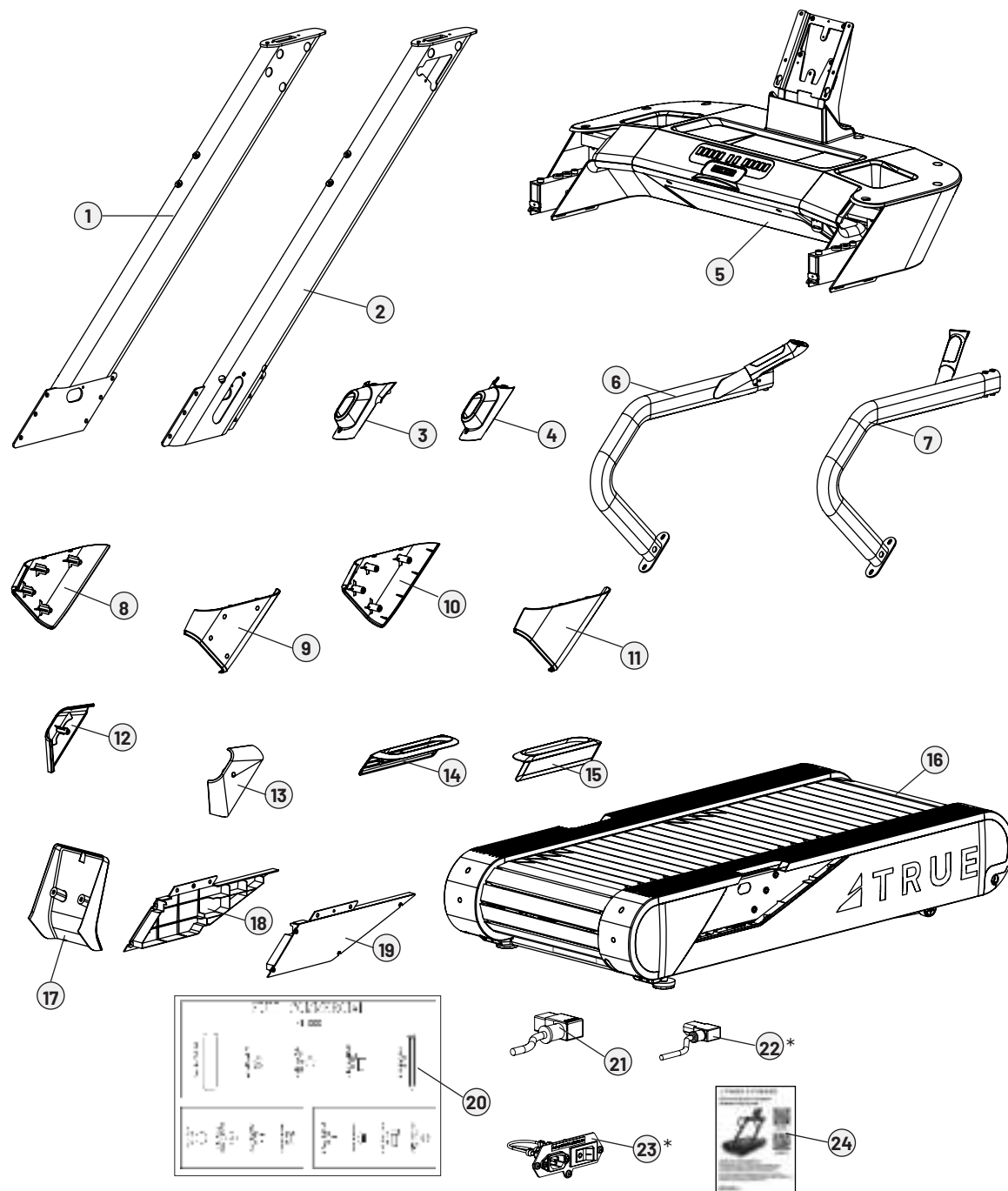
TOOLS NEEDED FOR ASSEMBLY		INCLUDED IN BOX
5mm Allen Wrench		NO
6mm Allen Wrench		NO
8mm Allen Wrench		NO
10mm T-Handle Allen Wrench		YES

TOOLS NEEDED FOR ASSEMBLY		INCLUDED IN BOX
#2 Phillips screwdriver		NO
Pliers		NO
Level		NO

## BOX CONTENTS


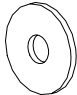
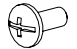





ITEM	DESCRIPTION	QTY
1	PEDESTAL UPRIGHT ASSEMBLY, LEFT	1
2	PEDESTAL UPRIGHT ASSEMBLY, RIGHT	1
3	HAND RAIL COVER, LEFT	1
4	HAND RAIL COVER, RIGHT	1
5	CONSOLE ASSEMBLY	1
6	HAND RAIL ASSEMBLY, SLAT, LEFT	1
7	HAND RAIL ASSEMBLY, SLAT, RIGHT	1
8	OUTER PEDESTAL COVER, LEFT	1
9	INNER PEDESTAL COVER, LEFT	1
10	INNER PEDESTAL COVER, RIGHT	1
11	OUTER PEDESTAL COVER, RIGHT	1
12	OUTER HAND RAIL COVER	2
13	INNER HAND RAIL COVER	2
14	PEDESTAL TUBE TRIM, LEFT	1
15	PEDESTAL TUBE TRIM, RIGHT	1
16	SLAT TREADMILL BASE	1
17	REAR CONSOLE COVER	1
18	BASE SIDE TRIM PLASTIC (LEFT)	1
19	BASE SIDE TRIM PLASTIC (RIGHT)	1
20	HARDWARE PACK	1
21	110V POWER CORD	1
22*	220V POWER CORD*	1
23*	220V POWER INLET ASSEMBLY*	1
24	ASSEMBLY INSTRUCTIONS	1

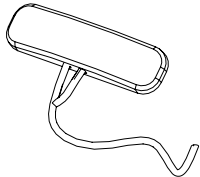


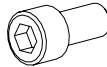
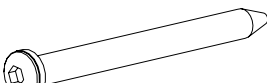
\*The 220V Power Cord and 220V Power Inlet Assembly are only included with this product if the unit is being used on a circuit having a nominal rating of more than 110-V.



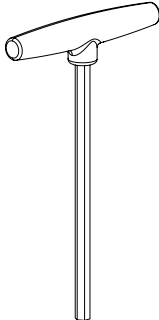
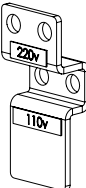
## HARDWARE PACK CONTENTS

### ST1177 Hardware Pack

ITEM	DESCRIPTION	QTY
ST1019	SCREW COVER 	2
ST1005	WASHER, 6X19X1.5 	2
TCS4005	SCREW, M4X0.7X10 	8
TI0065	SCREW, M8X0.8X15 	4
TC0033	SCREW, M5X0.8X6 	2
TCS0024	SEMS SCREW, M4X0.7X12 	14
FT0047	HEX SOCKET BOLT, M8X1.25X20 	4
FT0014	SPLIT LOCK WASHER, M8 	4

ITEM	DESCRIPTION	QTY
ST1024	SAFETY KEY ASSEMBLY 	1
TCS0028	SAFETY KEY CORD LOCK 	1
FE0090	SPLIT LOCK WASHER, M10 	12
FE0091	HEX SOCKET BOLT, M10X1.5X20 	12
TPS8123	SEMS HEX SOCKET BOLT, M8X1.25X90 	8

### ST1000 Additional Hardware Bag

ITEM	DESCRIPTION	QTY
ST1021	10MM T-HANDLE ALLEN WRENCH 	1
TCS0024	POWER CORD RETAINER 	1

## ASSEMBLY STEPS

### Step 1—Attach the Pedestal Upright Assemblies

- A. On the right side of the machine, fully route the Power, I/O Communication, Network, and Coaxial cables from the base through the opening on the lower right pedestal upright assembly.

**IMPORTANT! Confirm cable slack in the base will not interfere with the moving belt treads.**

- B. Using the M10 lock washers and M10 hex bolts, finger tight the left and right pedestal upright assemblies to the base.

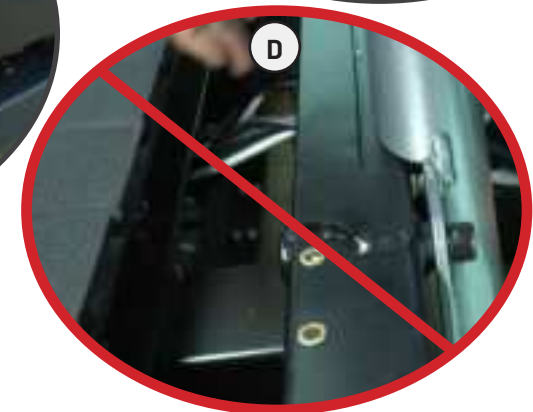
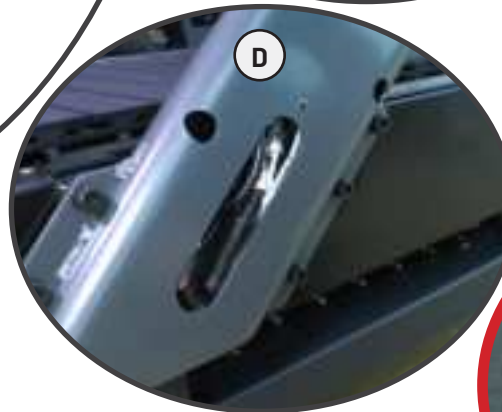
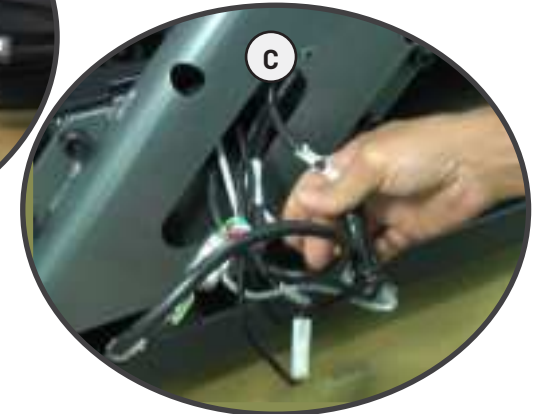
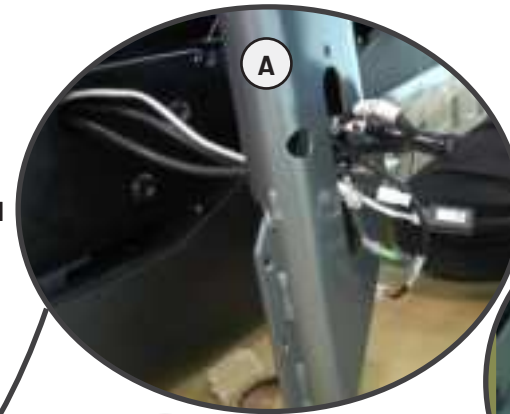
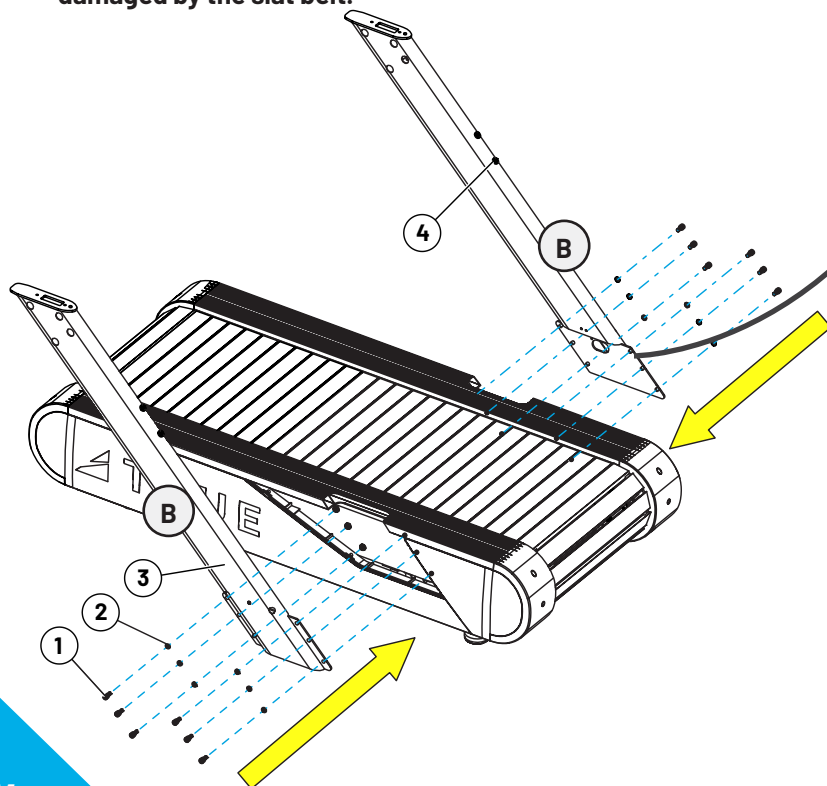
**NOTE:** You will not fully tighten the hardware until step 6.

- C. Connect the Power, I/O Communication, Network, and Coaxial cables from the base to the Power, I/O Communication, Network, and Coaxial cables inside the right pedestal upright assembly.

- D. Verify all cables have been securely connected and then carefully tuck all cables back inside the right pedestal upright assembly.

**IMPORTANT! Verify cables are carefully tucked in the right upright pedestal and DO NOT get pushed back into the base as this might cause them to be damaged by the slat belt.**

Parts Used in this Step			
Item	Part	Description	Qty
1	FE0091	HEX SOCKET BOLT, M10X1.5X20	12
2	FE0090	SPLIT LOCK WASHER, M10	12
3	ST1009L-35	PEDESTAL UPRIGHT ASSEMBLY, LEFT	1
4	ST1009R-35	PEDESTAL UPRIGHT ASSEMBLY, RIGHT	1



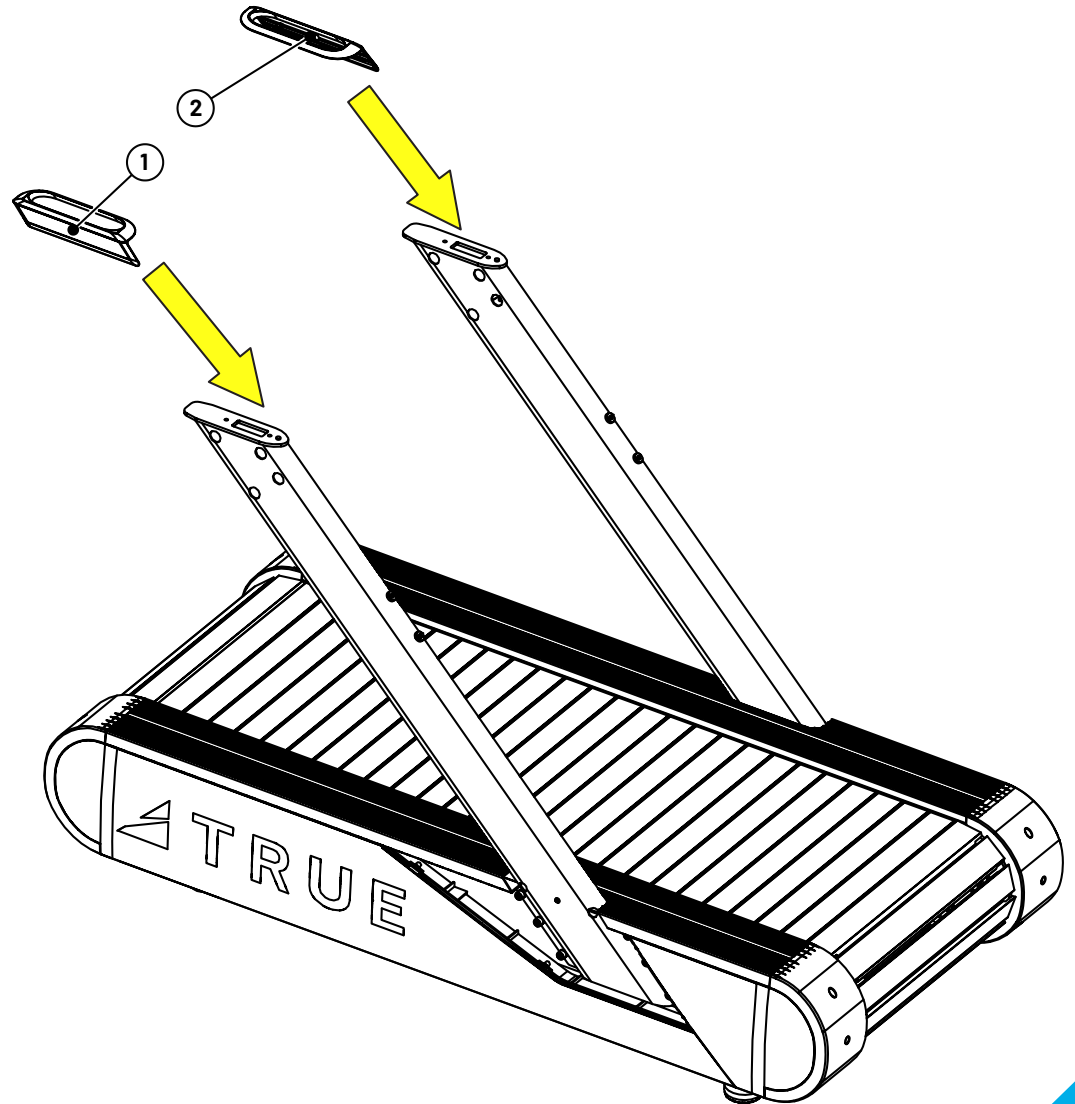
**DO NOT PUSH CABLES BACK INTO THE BASE AS THIS MIGHT CAUSE THEM TO BE DAMAGED BY THE SLAT BELT**

## Step 2—Attach Pedestal Tube Trim


Slide the pedestal tube trim pieces down the pedestal upright assemblies.

**NOTE:** Do not place the pedestal tube trims in their final resting location until step 6.

Parts Used in this Step			
Item	Part	Description	Qty
1	ST1025L	PEDESTAL TUBE TRIM, LEFT	1
2	ST1025R	PEDESTAL TUBE TRIM, RIGHT	1



## Step 3—Attach Console Assembly

Tools Used in this Step	
5mm Allen Wrench	

Parts Used in this Step			
Item	Part	Description	Qty
1	TPS8123	SEMS HEX SOCKET BOLT, M8X1.25X90	4
2	ST1015-35	CONSOLE ASSEMBLY	1

- A. Route the Power, I/O, Communication, and Coaxial cables from the console assembly through the opening on the right pedestal upright assembly. Carefully set the console assembly on both the right and left pedestal upright assemblies.

**IMPORTANT! DO NOT pinch the cables.**

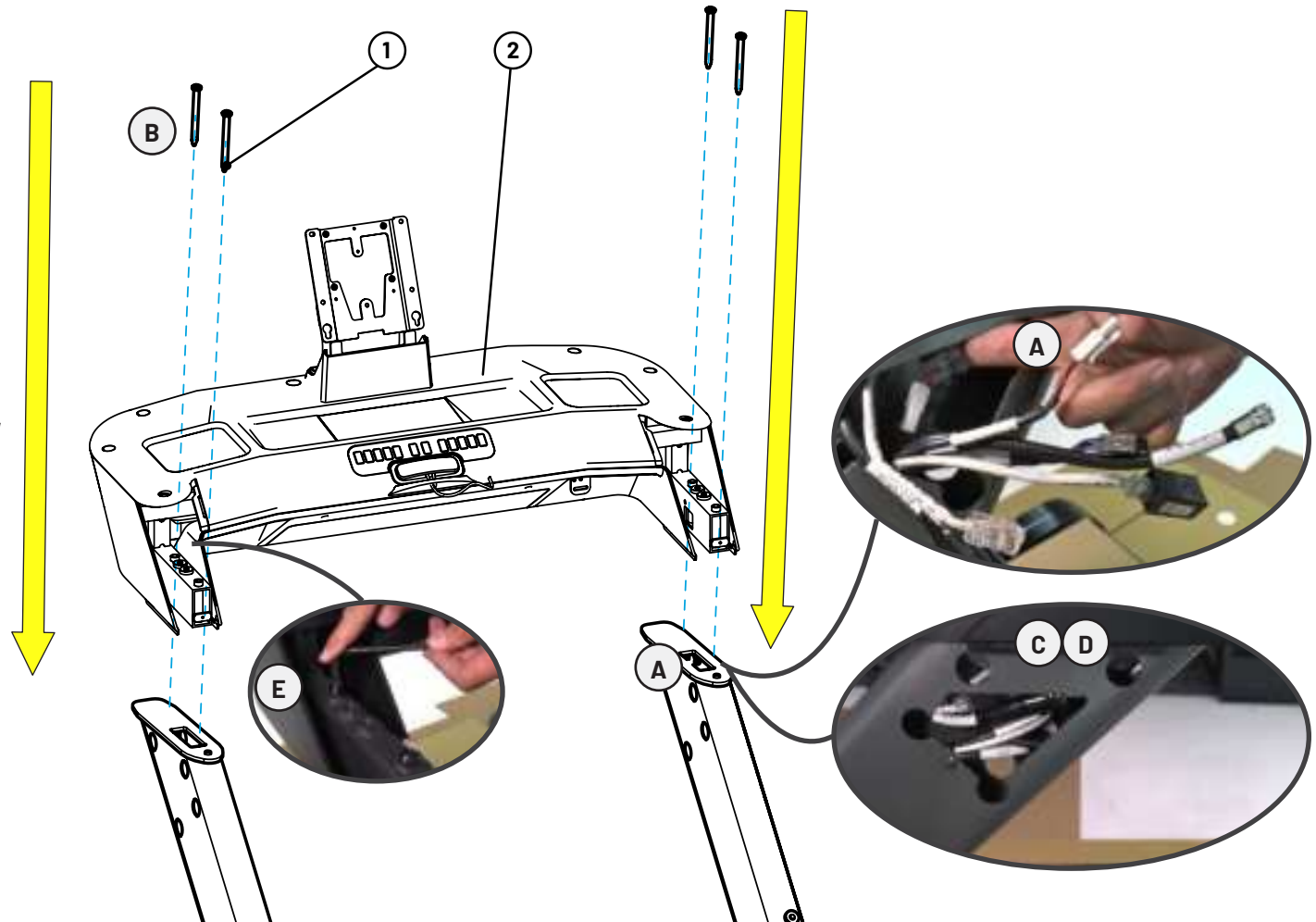
- B. Using the M8 hex bolts, finger tight the console assembly to the left and right pedestal upright assemblies.

**NOTE:** You will not fully tighten the hardware until step E.

- C. Connect the Power, I/O Communication, Network, and Coaxial cables from the console assembly to the Power, I/O Communication, Network, and Coaxial cables inside the right pedestal upright assembly.

- D. Verify all cables have been securely connected and then carefully tuck all cables back inside the right pedestal upright assembly.

- E. Using a 5mm allen wrench, fully tighten the M8 hex bolts.

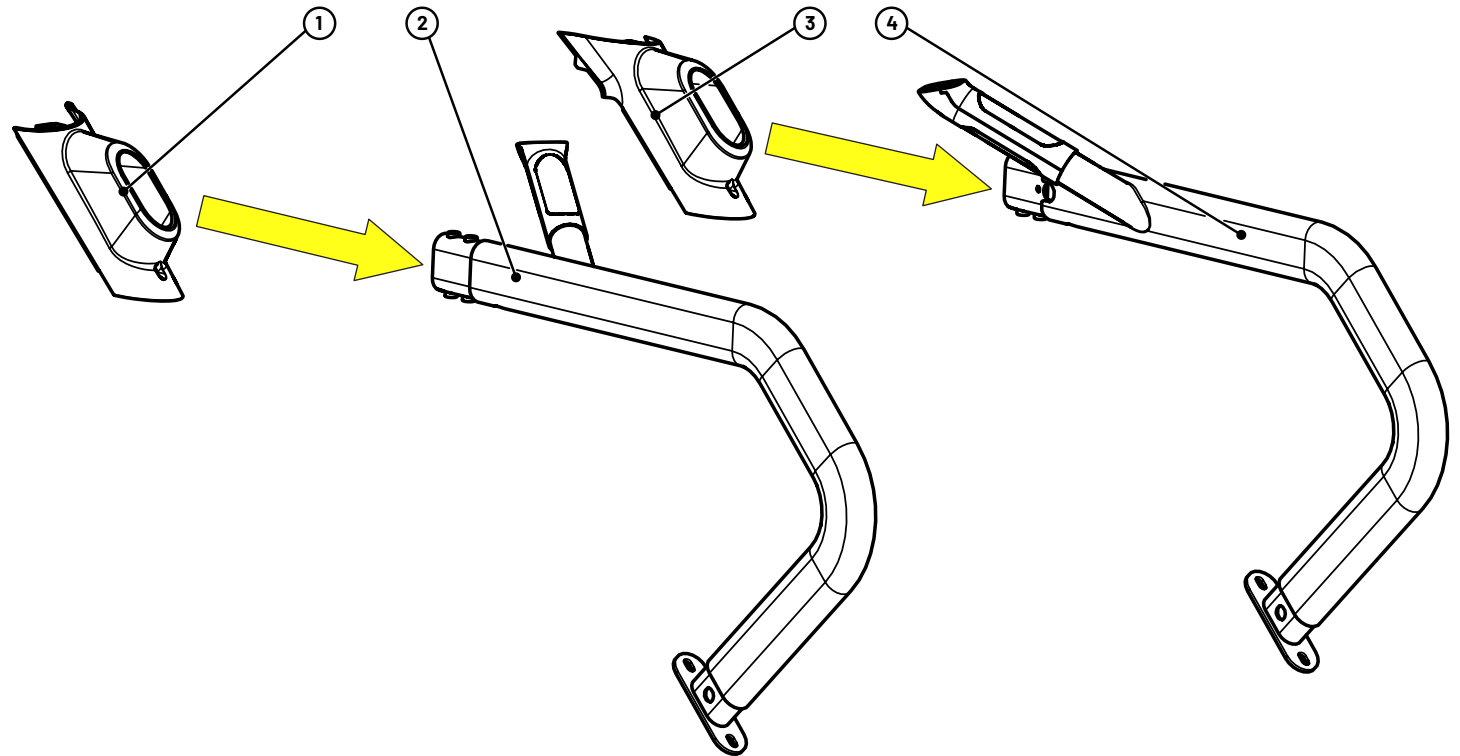





## Step 4-1—Slide Hand Rail Covers Onto Hand Rail Assemblies

Parts Used in this Step			
Item	Part	Description	Qty
1	ST1017L	HAND RAIL COVER, LEFT	1
2	ST1004L-35	HAND RAIL ASSEMBLY, LEFT	1
3	ST1017R	HAND RAIL COVER, RIGHT	1
4	ST1004R-35	HAND RAIL ASSEMBLY, RIGHT	1

Slide the hand rail cover assemblies onto the hand rail assemblies as shown.

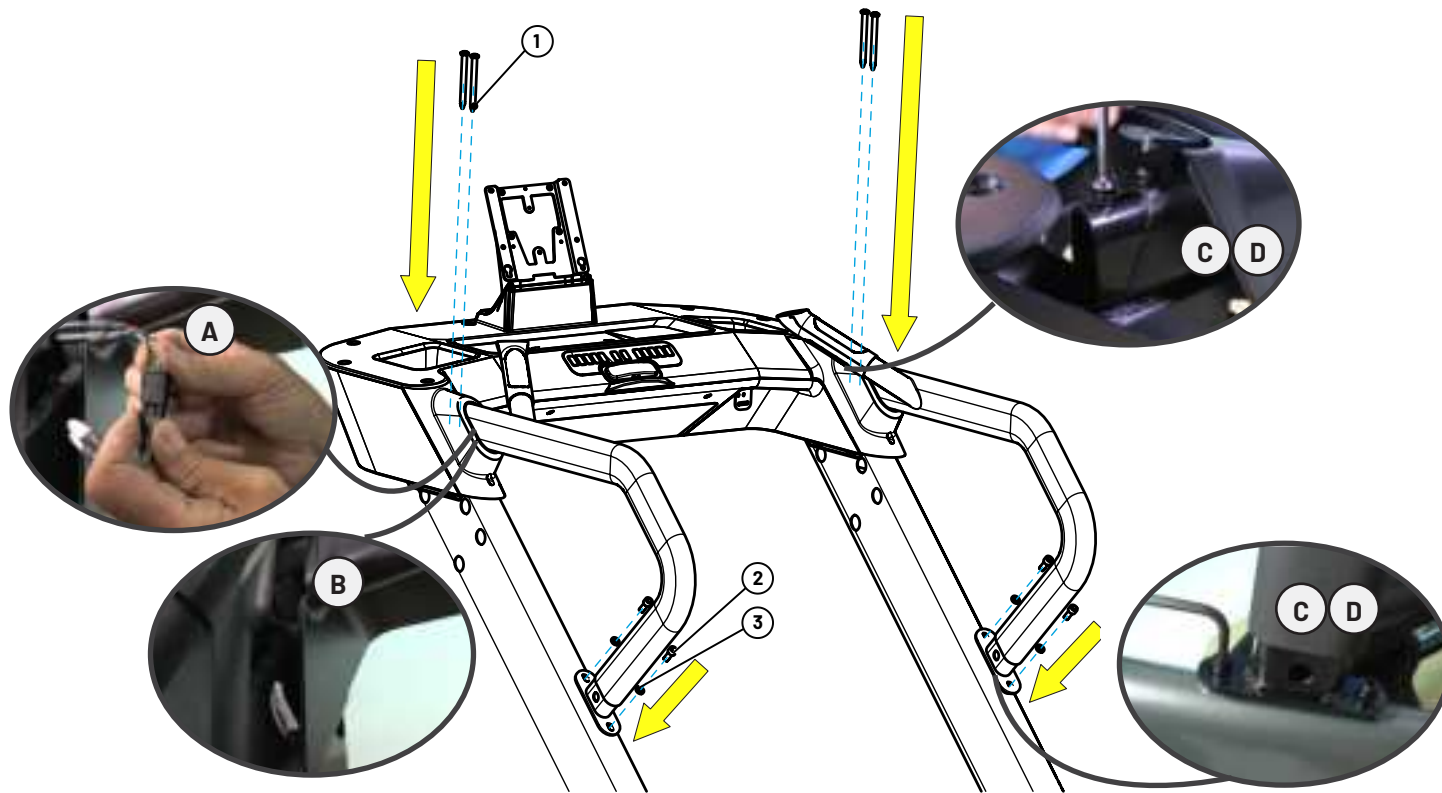


## Step 4-2—Attach Hand Rail Assemblies

Tools Used in this Step	
5mm and 6mm Allen Wrench	

Parts Used in this Step			
Item	Part	Description	Qty
1	TPS8123	SEMS HEX SOCKET BOLT, M8X1.25X90	4
2	FT0047	HEX SOCKET BOLT M8X1.25X20	4
3	FT0014	SPLIT LOCK WASHER, M8	4

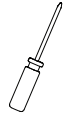
- Connect the left and right heart rate cables between the console assembly and hand rail assemblies.
- Carefully tuck cables inside the console assembly.  
**IMPORTANT! DO NOT pinch the cables.**
- Align the holes of the hand rail assemblies with the holes on the console assembly and pedestal assemblies.
- Using 5mm and 6mm allen wrenches, evenly tighten all hardware ensuring the hardware holes remain aligned.



## Step 5—Attach Hand Rail Covers

### Tools Used in this Step

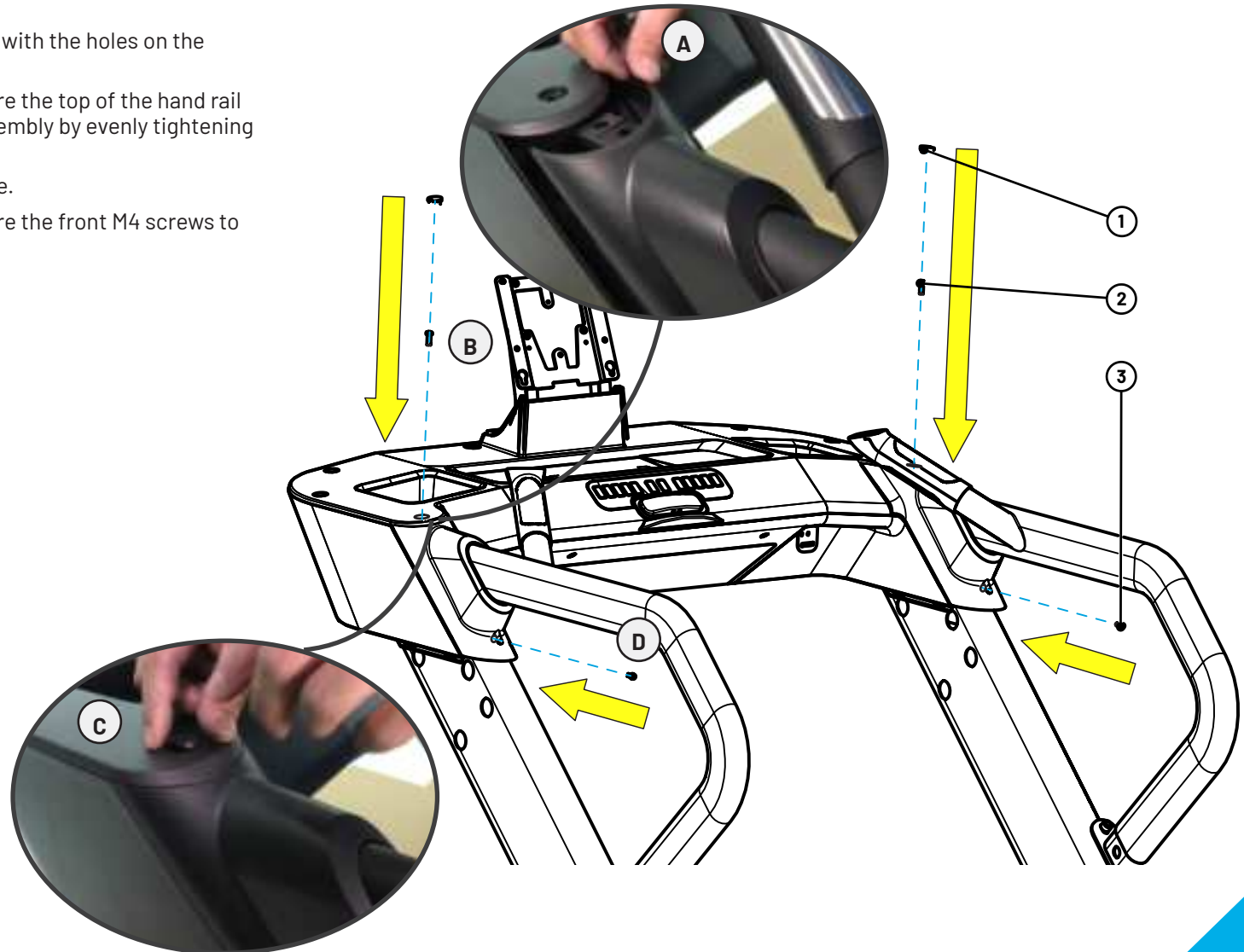
#2 Phillips Screwdriver





### Parts Used in this Step

Item	Part	Description	Qty
1	ST1019	SCREW COVER,	2
2	TI0065	SCREW, M5X0.8X15	2
3	TCS0024	SCREW, M4X0.7X12	2

- Align the holes of the hand rail cover with the holes on the console assembly.
- Using a #2 Phillips screwdriver secure the top of the hand rail cover assemblies to the console assembly by evenly tightening the M5 screws.
- Press the top screw covers into place.
- Using a #2 Phillips screwdriver secure the front M4 screws to the console assembly.

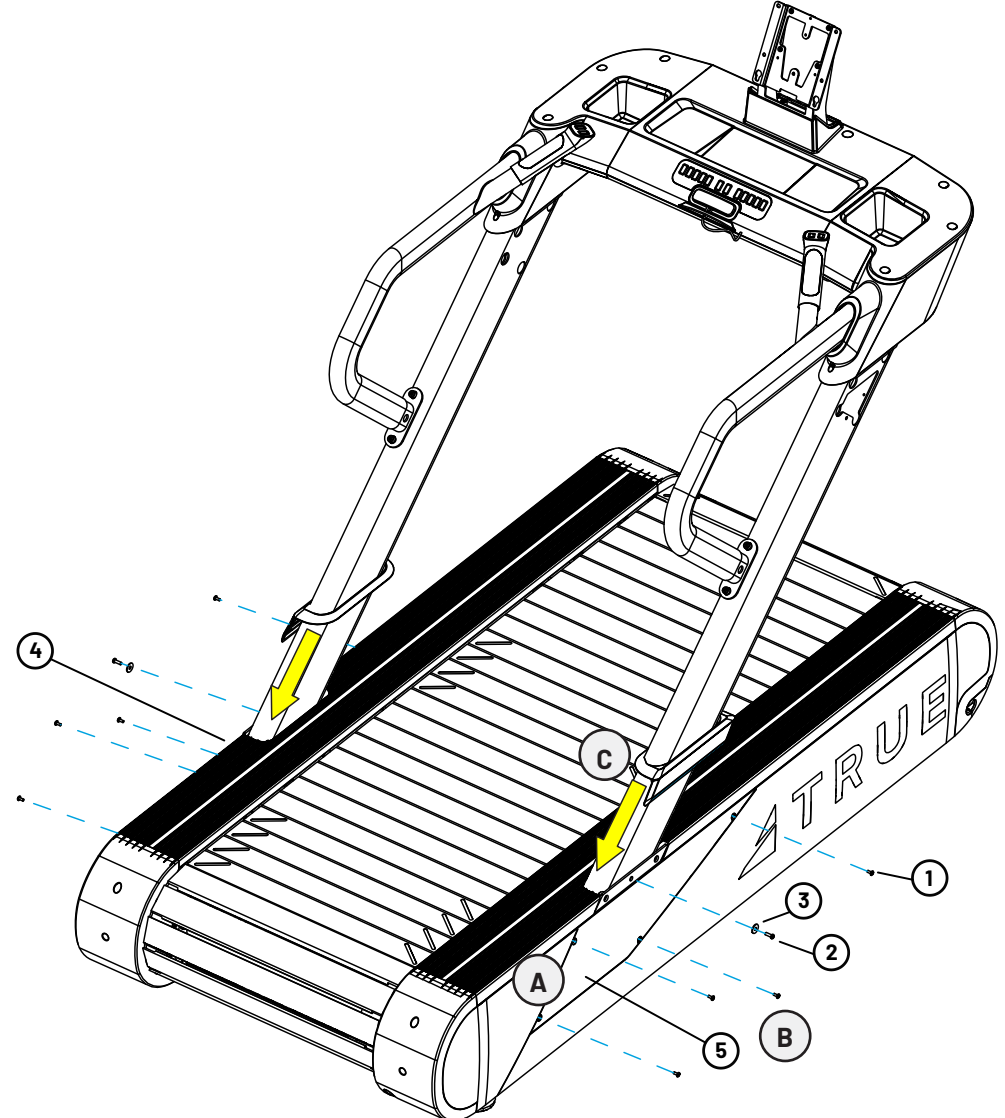


## Step 6—Attach Base Side Trim Plastics


Tools Used in this Step	
#2 Phillips Screwdriver	
8mm Allen Wrench	

Parts Used in this Step			
Item	Part	Description	Qty
1	TCS4005	SCREW, M4X0.7X10	8
2	T10065	SCREW, M5X0.8X15	2
3	ST1005	WASHER, 6X19X1.5	2
4	ST1014L	BASE SIDE TRIM PLASTIC, LEFT	1
5	ST1014R	BASE SIDE TRIM PLASTIC, RIGHT	1

- A. Using an 8mm allen wrench, fully tighten the M10 bolts from step 1.
- B. Using a #2 Phillips screwdriver secure the left and right side trim plastics to the base using the identified hardware.
- C. After all hardware has been fully tightened, press the left and right pedestal tube trim pieces into place.

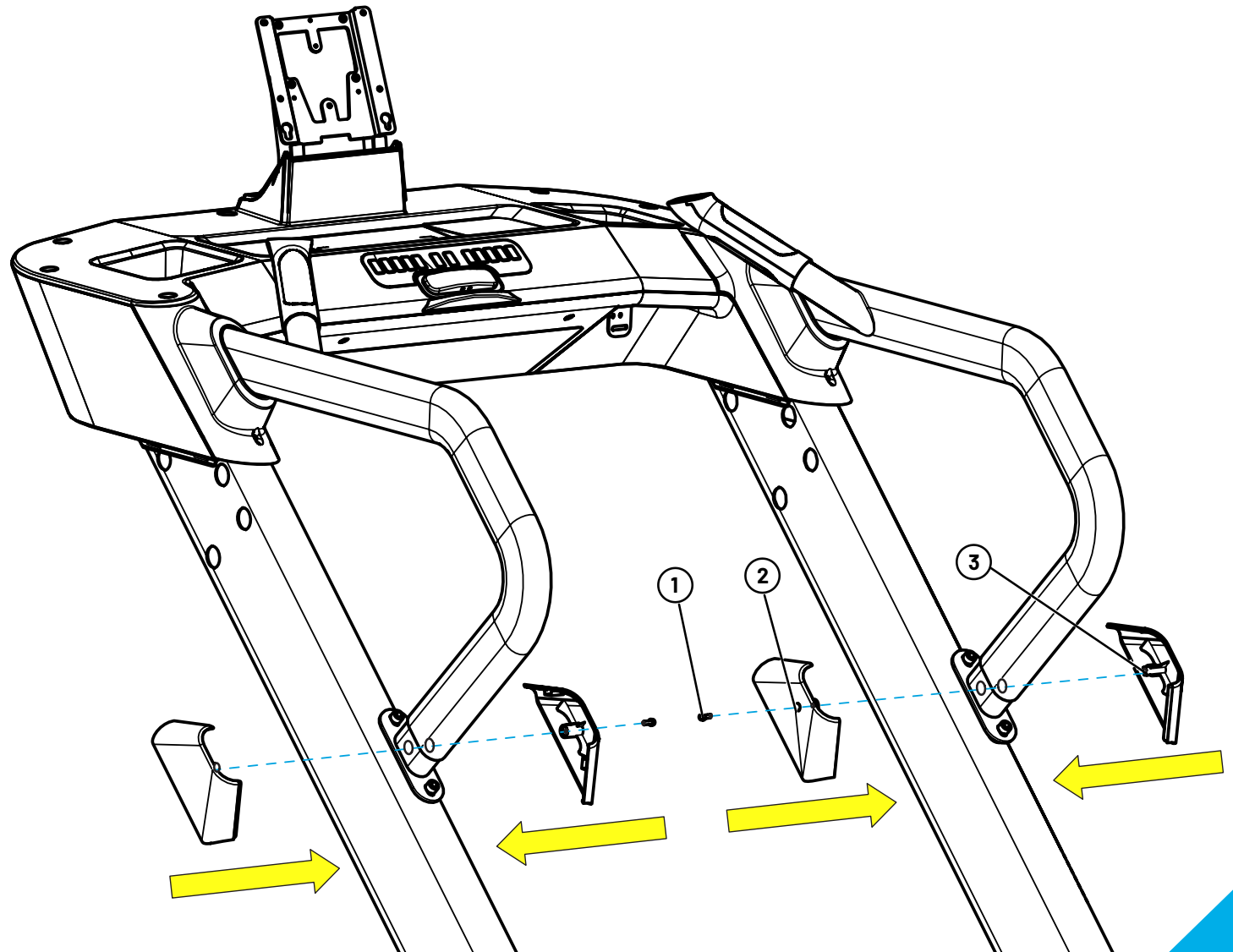


## Step 7—Attach Inner and Outer Hand Rail Covers


Tools Used in this Step	
#2 Phillips Screwdriver	

Using a #2 Phillips screwdriver secure the inner and outer hand rail covers to the hand rail assemblies using the identified hardware.

Parts Used in this Step			
Item	Part	Description	Qty
1	TCS0024	SCREW, M4X0.7X12	2
2	ST1013	INNER HAND RAIL COVER	2
3	ST1020	OUTER HAND RAIL COVER	2

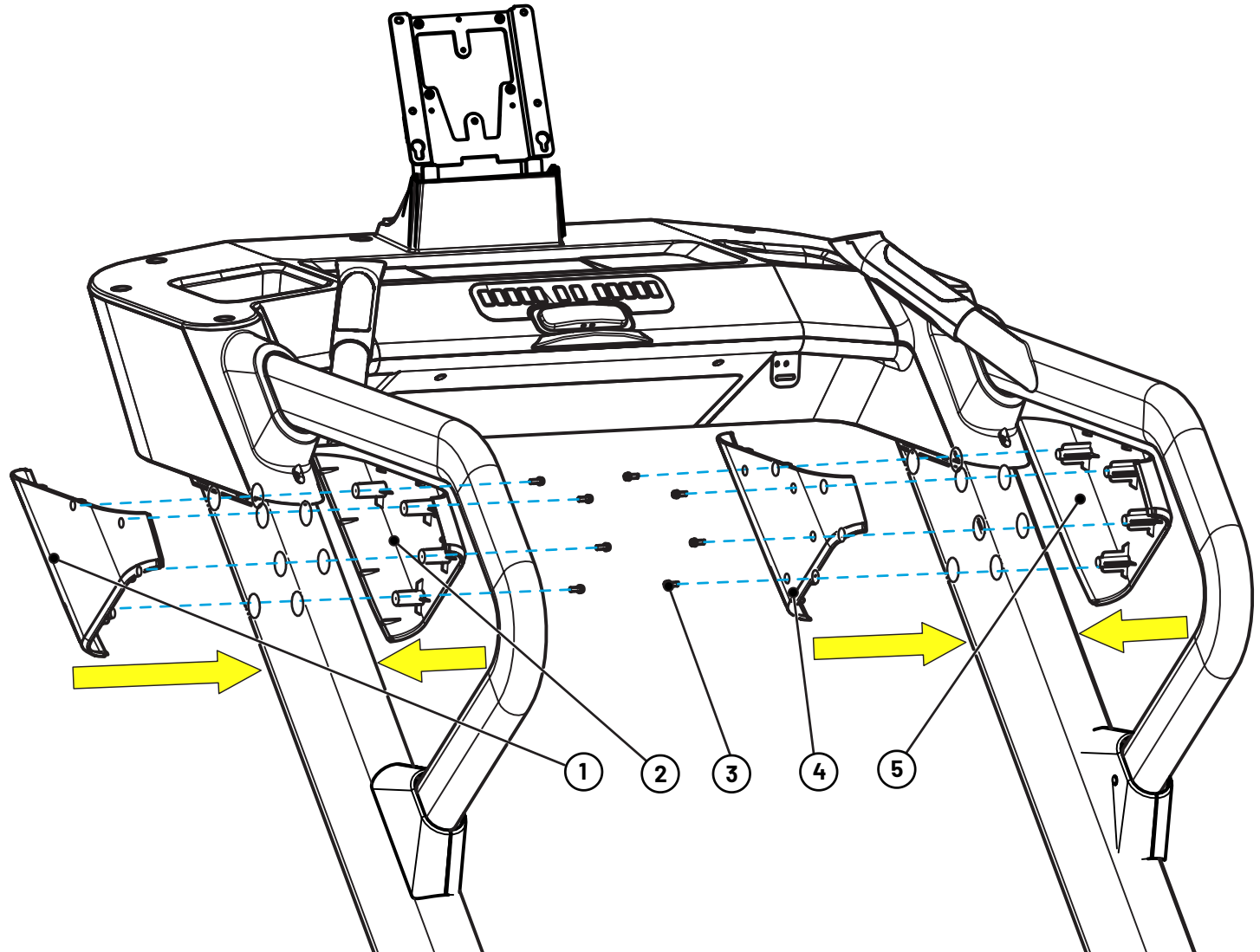


## Step 8—Attach Inner and Outer Pedestal Covers

Tools Used in this Step	
#2 Phillips Screwdriver	

Parts Used in this Step			
Item	Part	Description	Qty
1	ST1018L	OUTER PEDESTAL COVER, LEFT	1
2	ST1006L	INNER PEDESTAL COVER, LEFT	1
3	TCS0024	SCREW, M4X0.7X12	8
4	ST1006R	INNER PEDESTAL COVER, RIGHT	1
5	ST1018R	OUTER PEDESTAL COVER, RIGHT	1

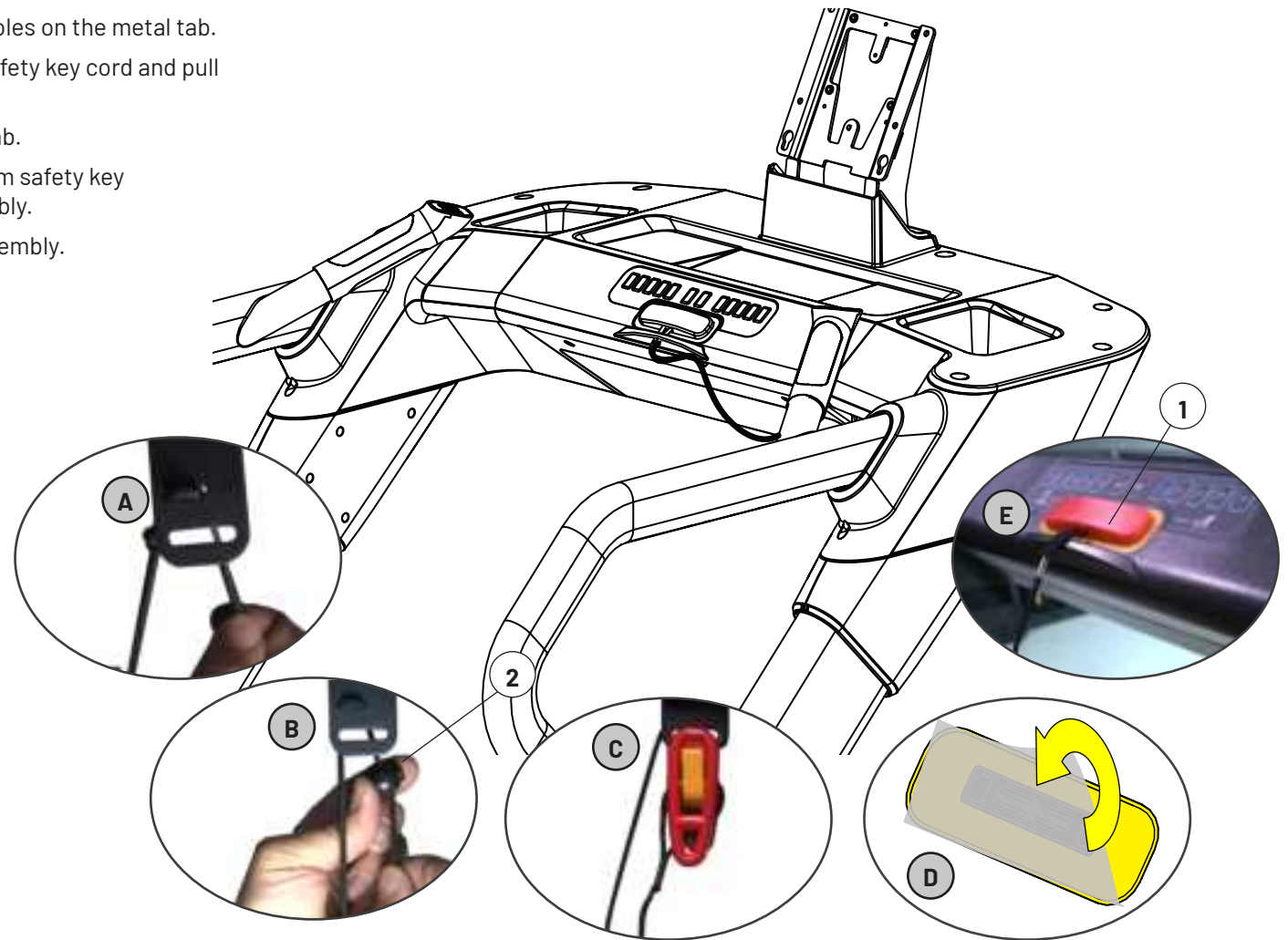
Using a #2 Phillips screwdriver secure the inner and outer pedestal covers to the pedestal upright assemblies using the identified hardware.




## Step 9—Attach Safety Key

Parts Used in this Step			
Item	Part	Description	Qty
1	ST1024	SAFETY KEY ASSEMBLY	1
2	TCS0028	SAFETY KEY CORD LOCK	1

- A. Insert the safety key cord through the holes on the metal tab.
- B. Attach the cord lock to the end of the safety key cord and pull the cord lock up behind the metal tab.
- C. Attach the safety key clip to the metal tab.
- D. If applicable, remove protective film from safety key attachment point on the console assembly.
- E. Attach the safety key to the console assembly.



## Step 10—Attach Console and Rear Console Cover

Tools Used in this Step	
#2 Phillips Screwdriver	

Parts Used in this Step			
Item	Part	Description	Qty
1	N/A	CONSOLE MAST ASSEMBLY	1
2	N/A	CONSOLE	1
3	ST1016	REAR CONSOLE COVER	1
4	TCS0024	SCREW, M4X0.7X12	2

- A. If the console has three preassembled screws (00567700), remove these screws.

Remove and set aside the top two preassembled screws (00567800).

Slightly loosen the bottom two screws but leave them installed.

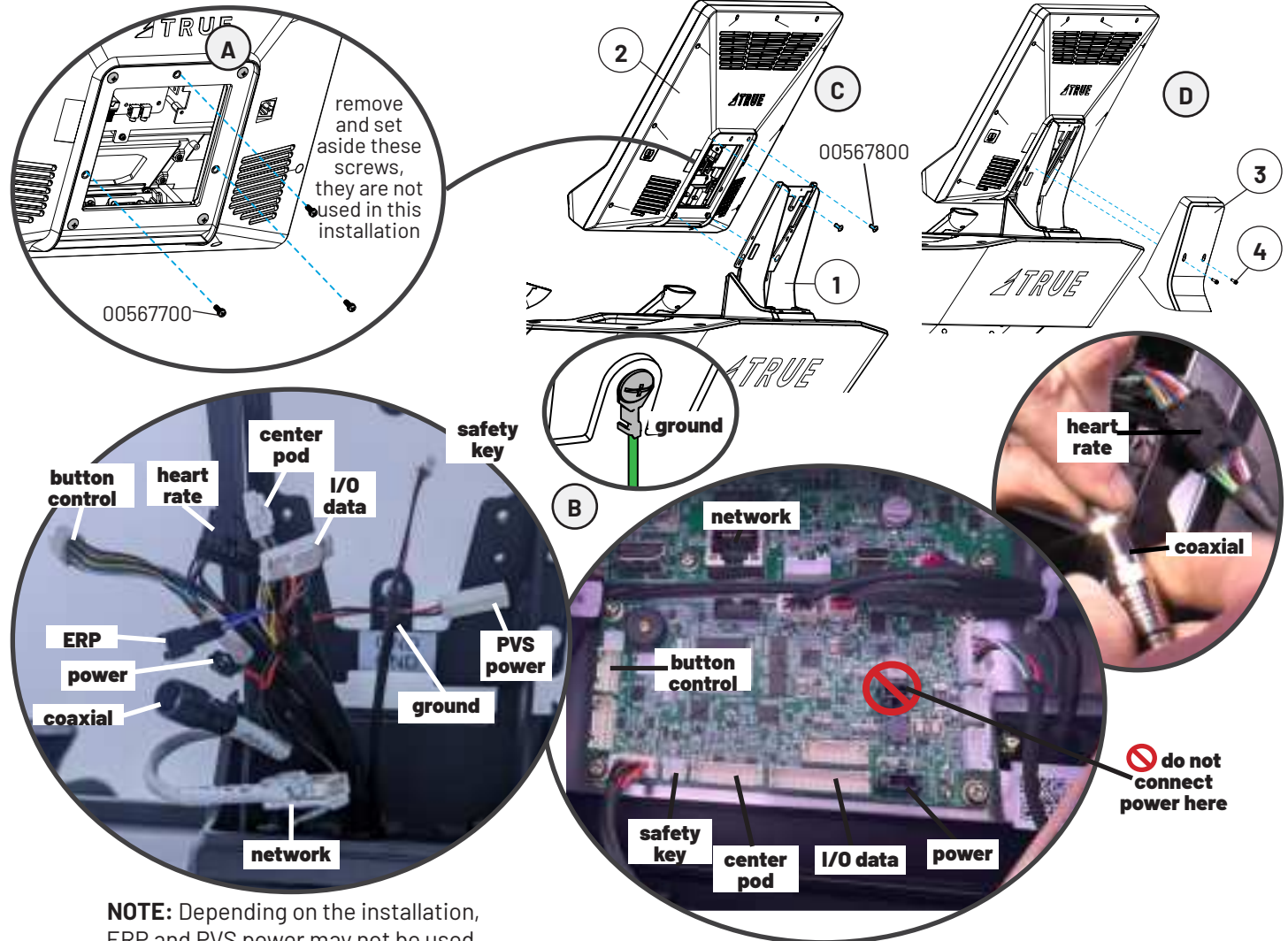
**All four screws will be used to secure the console to the mast in step C.**

- B. Connect the applicable cables: network, coaxial, heart rate, button control, safety key, centerpod, I/O data, power, and ground (use the screw on the console mast to attach the ground cable from the console).

**NOTE:** The LED console without a PVS does not use the coaxial cable. Tuck the coaxial and network cables down the console mast.

Tuck excess cable length inside the console mast to avoid pinching the cables.

- C. Using a #2 Phillips screwdriver, secure the console to the console mast using the four screws (00567800).
- D. Using a #2 Phillips screwdriver, attach the rear console cover.




**NOTE:** Depending on the installation, ERP and PVS power may not be used.



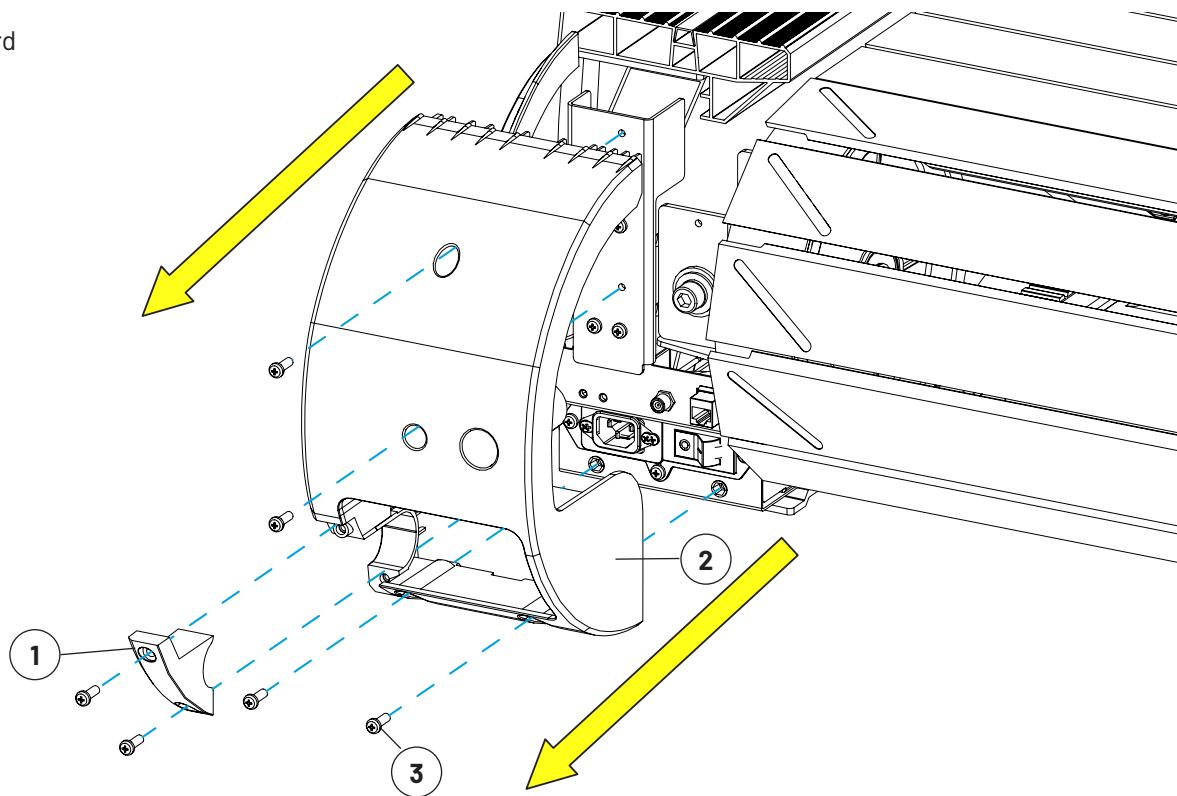
## Optional Step 11-1—Change Power Inlet Assembly from 110V to 220V—Remove and Set Aside Front Roller Cover and Power Cord Closure

**NOTE:** This step is for use on a circuit having a nominal rating no less than 208V and more than 240V. If your circuit is a nominal rating of 110V go to step 12.

Tools Used in this Step	
#2 Phillips Screwdriver	

Parts Used in this Step			
Item	Part	Description	Qty
1	ST1045	POWER CORD CLOSURE	1
2	ST1085R	FRONT ROLLER COVER	1
3	TI0065	SCREW, M5X0.8X15	6

Using a #2 Phillips screwdriver, remove the power cord closure, power cord retainer, power cord (if already attached), and front roller cover.

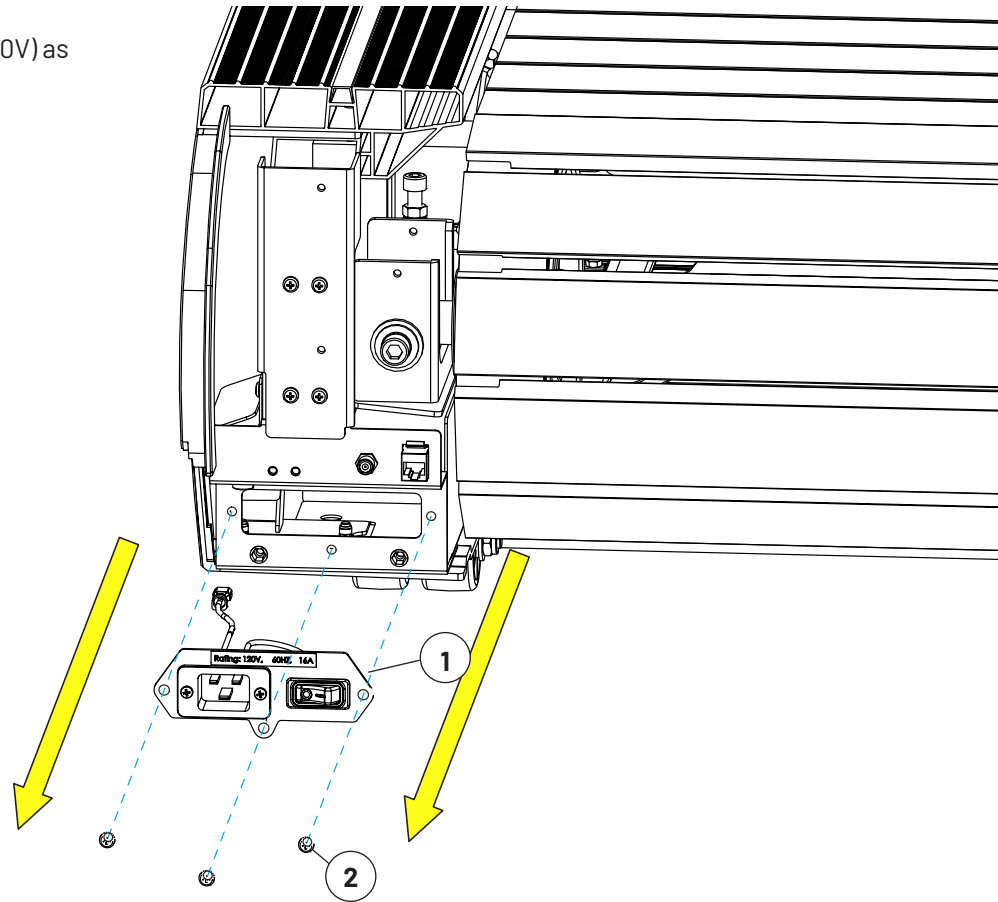


## Optional Step 11-2—Change Power Inlet Assembly from 110V to 220V—Remove 110V Power Inlet Assembly

Tools Used in this Step	
#2 Phillips Screwdriver	

Parts Used in this Step			
Item	Part	Description	Qty
1	ST1245	POWER INLET ASSEMBLY (110V)	1
2	TC0033	SCREW, M5X0.8X6	3

Using a #2 Phillips screwdriver, remove the power inlet assembly (110V) as shown below.



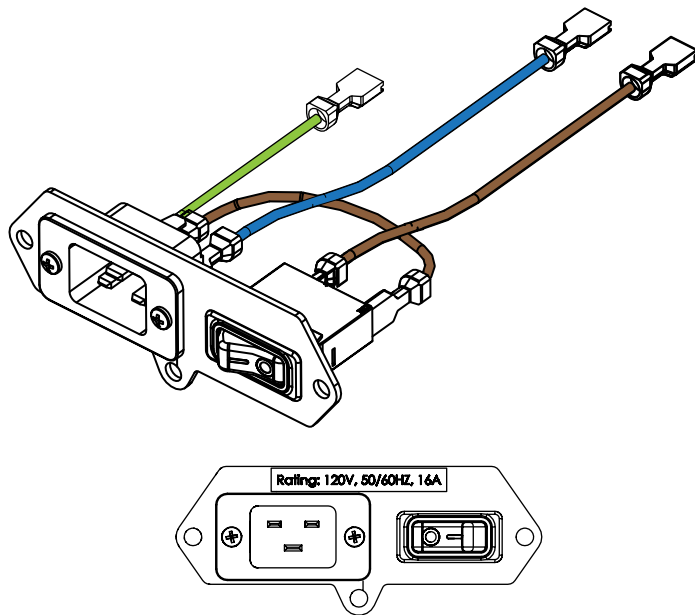
## Optional Step 11-3—Change Power Inlet Assembly from 110V to 220V—Transfer Wires

Disconnect the wires from the 110V power inlet assembly and transfer them to the 220V power inlet assembly.

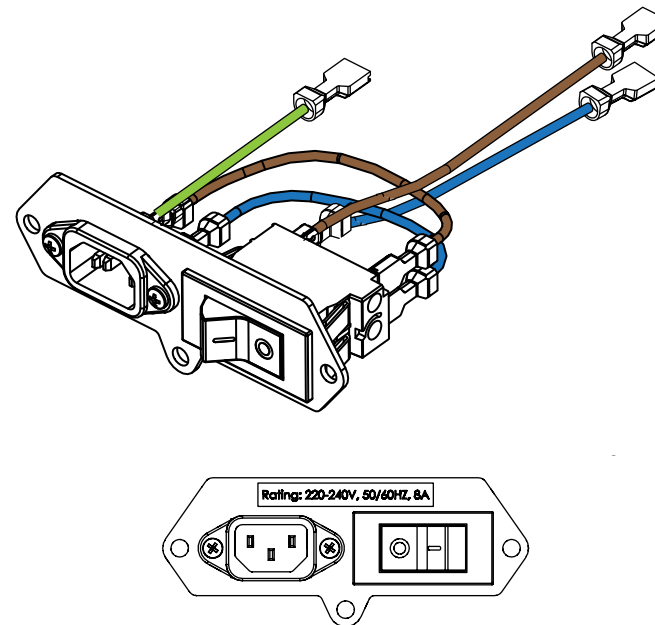
**IMPORTANT! The 220V panel has a green, blue, and brown dot. The dot color corresponds to the cable color.**

- Move the green cable to the green dot.
- Move the blue cable to the blue dot.
- Move the brown cable to the brown dot.


Power Inlet Assembly (110V)



Power Inlet Assembly (220V)

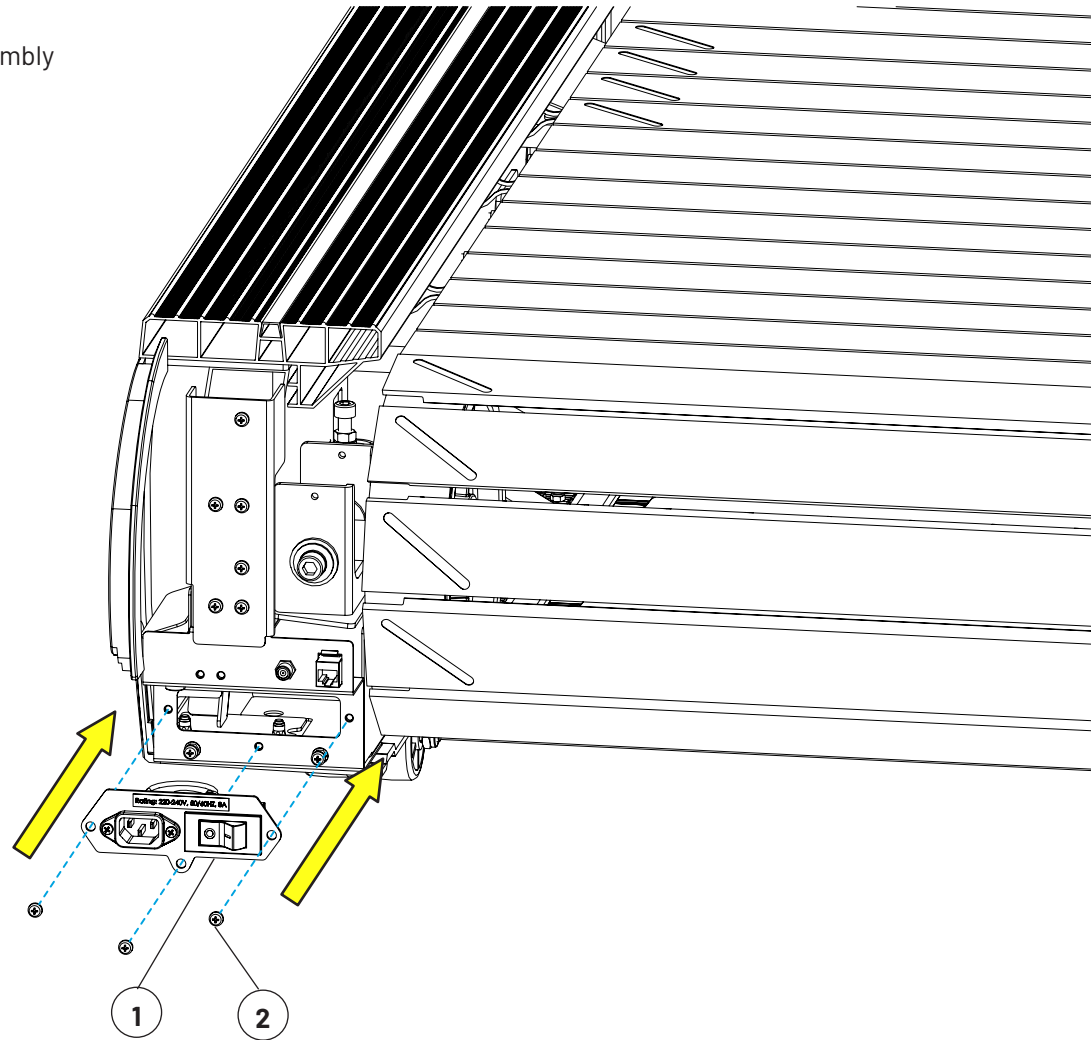


## Optional Step 11-4—Change Power Inlet Assembly from 110V to 220V—Attach 220V Power Inlet Assembly

Tools Used in this Step	
#2 Phillips Screwdriver	

Parts Used in this Step			
Item	Part	Description	Qty
1	00604600-35	POWER INLET ASSEMBLY (220V)	1
2	TC0033	SCREW, M5X0.8X6	3

Using a #2 Phillips screwdriver, secure the power inlet assembly (220V) as shown below.



## Optional Step 11-5—Change Power Inlet Assembly from 110V to 220V—Attach 220V Power Cord

### Tools Used in this Step

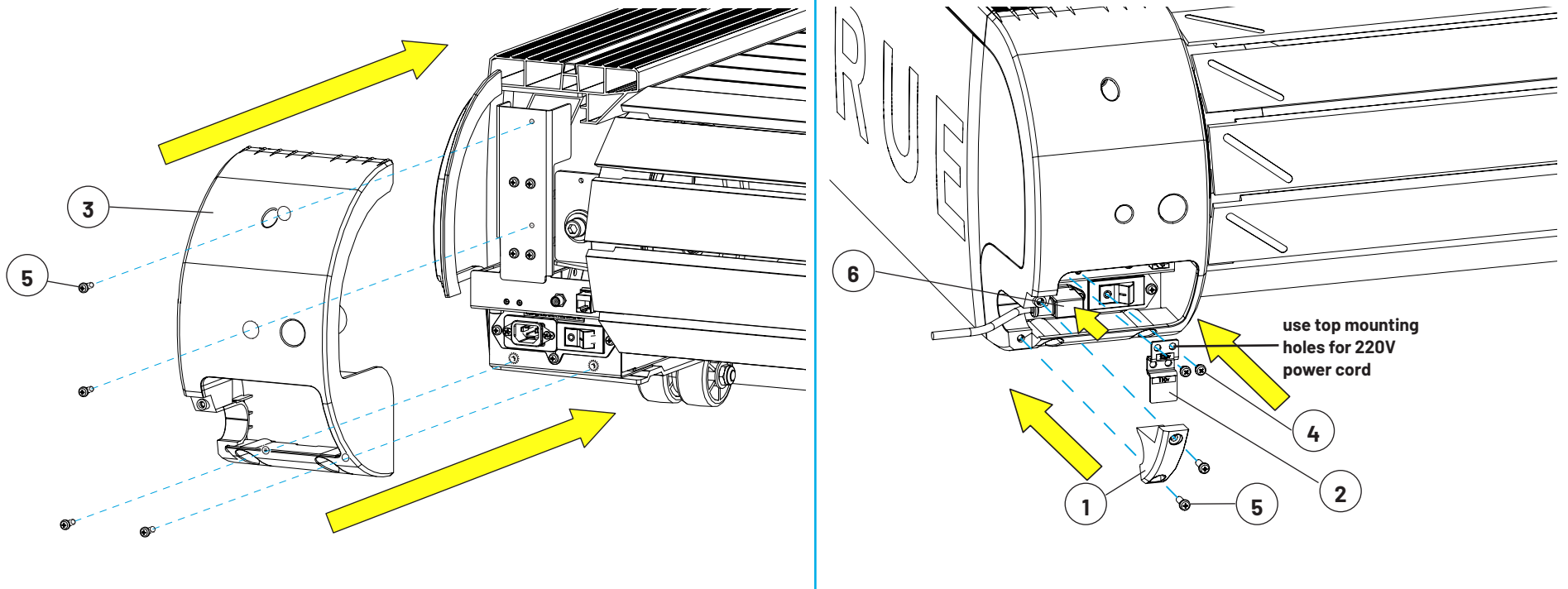
#2 Phillips Screwdriver



### Parts Used in this Step

Item	Part	Description	Qty
1	ST1045	POWER CORD CLOSURE	1
2	ST1012	UNIVERSAL POWER CORD RETAINER	1
3	ST1085R	FRONT ROLLER COVER	1
4	TC0033	SCREW, M5X0.8X6	2
5	T10065	SCREW, M5X0.8X15	6
6	00363100	220V POWER CORD	1

Using a #2 Phillips screwdriver, secure the front roller cover, power cord, power cord retainer, and power cord closure.

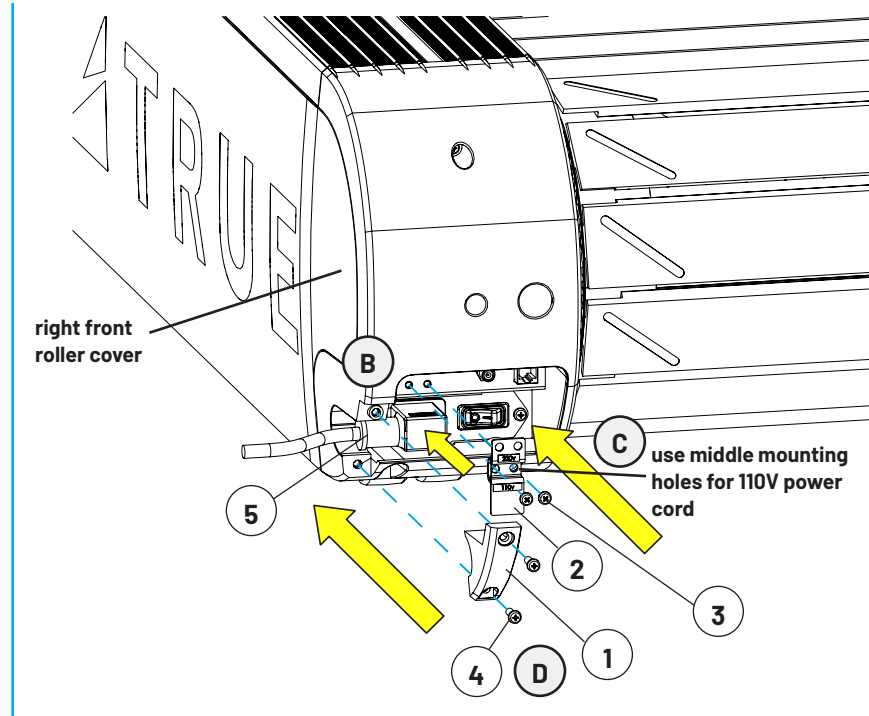
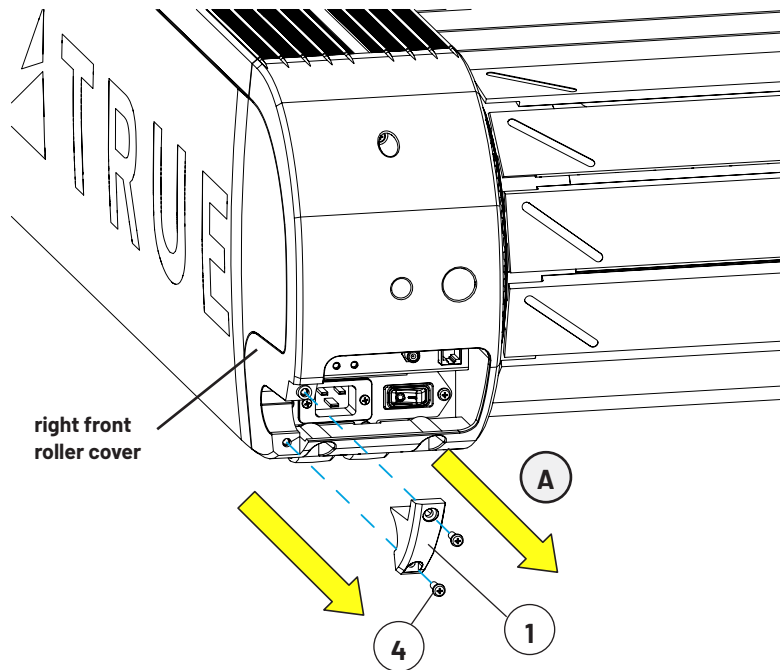


## Step 12—Attach 110V Power Cord

Tools Used in this Step	
#2 Phillips Screwdriver	

Parts Used in this Step			
Item	Part	Description	Qty
1	ST1045	POWER CORD CLOSURE	1
2	ST1012	POWER CORD RETAINER	1
3	TC0033	SCREW, M5X0.8X6	2
4	T10065	SCREW, M5X0.8X15	2
5	00553600	110V POWER CORD	1

- Using a #2 Phillips screwdriver, remove the power cord closure (located on the right front roller cover).
- Insert the 110V power cord plug into the power inlet assembly.
- Using a #2 Phillips screwdriver, secure the power cord retainer.
- Using a #2 Phillips screwdriver, re-secure the power cord closure.



## **IMPORTANT STEP—DO NOT SKIP!**

### **Step 13—Configure the Console with the Base and then Run Calibration**

**⚠ CAUTION: AVOID DAMAGE TO THE MACHINE!**

**ALWAYS VERIFY THE CORRECT BASE MODEL HAS BEEN CONFIGURED TO THE CONSOLE BEFORE RUNNING CALIBRATION.**

## **THE CORRECT BASE MODEL FOR THIS MACHINE IS VAPOR STRYKER**

Please follow the instructions included with your console for important configuration and calibration steps.

Please contact product support right away if you run into issues setting up the machine:  
800.883.8783 | [service@truefitness.com](mailto:service@truefitness.com) | Monday–Friday 8:30am–5:00pm (CST)

# PRODUCT FEATURES

## BASE OVERVIEW

### A. Console Assembly

The console allows the user to set up a workout program and control the Slat Treadmill during a workout.

### B. Quick Access Keys

Allows the user to quickly start, stop and wake the Slat Treadmill or make fast, convenient adjustments to the incline level or speed of the Slat Treadmill.

### C. Contact Heart Rate Pads

Allows the user to check their heart rate without wearing a wireless chest strap.

**IMPORTANT! For increased safety and accuracy this feature should only be used when the belt speed is below 4 mph.**

### D. Safety (E-Stop) Key

A tethered safety device designed to attach to both the user and the Slat Treadmill console. Removal of the key from the console will stop belt motion to prevent injury in an emergency.

**IMPORTANT! The safety key must be in place on the Slat Treadmill, and should be attached to the user's clothing. The Slat Treadmill will not operate if the safety key is not attached to the Slat Treadmill.**

### E. Belt

The moving surface of the Slat Treadmill on which the user walks or runs.

### F. Straddle Covers

Stationary covers on either side of the belt, which allows the user to safely straddle the belt during startup or in the event of an emergency.

### G. Belt Adjustment Bolts

An adjustment system that allows the users to adjust the belt tension as needed.

### H. On/Off Switch

Allows users or faculty to turn the power on or off to the Slat Treadmill.

### I. Power Cord

Delivers power from the wall outlet to the Slat Treadmill.

### J. Leveling Feet

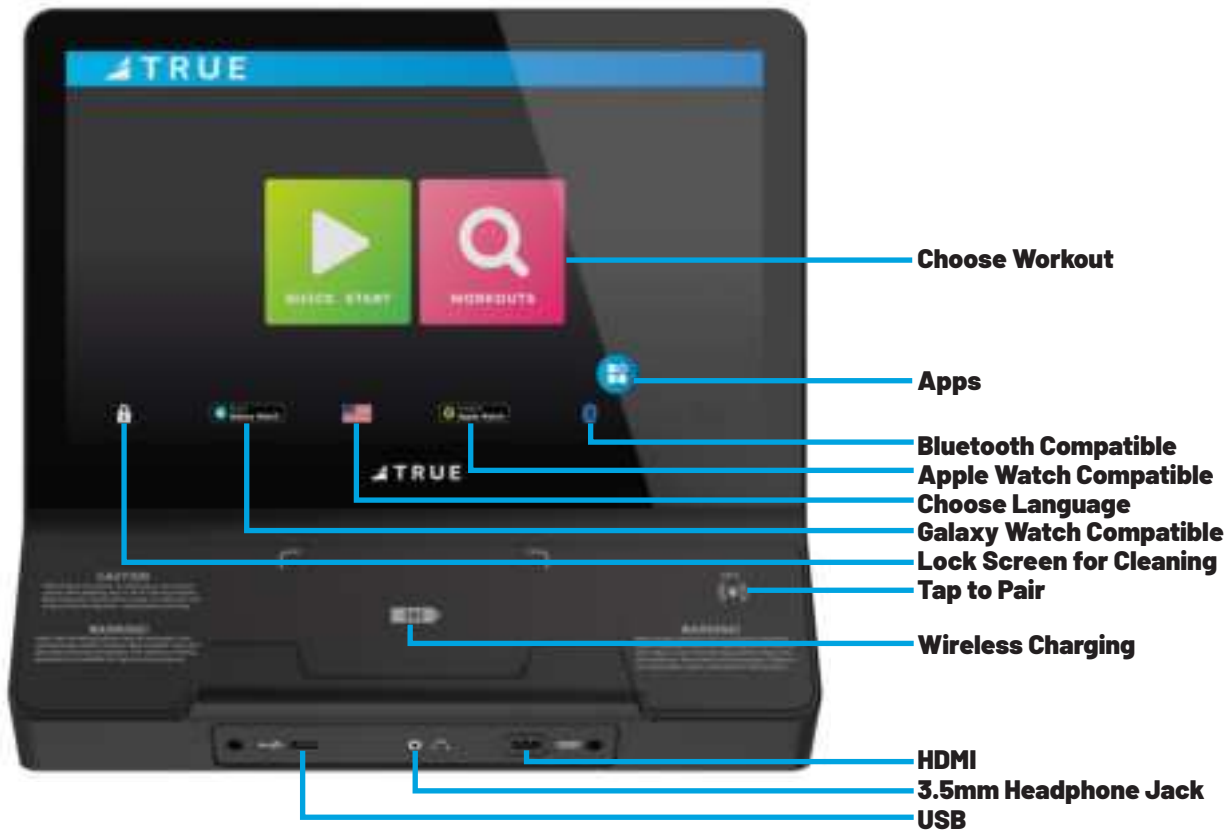
An adjustable system used to aid in the leveling the Slat Treadmill.



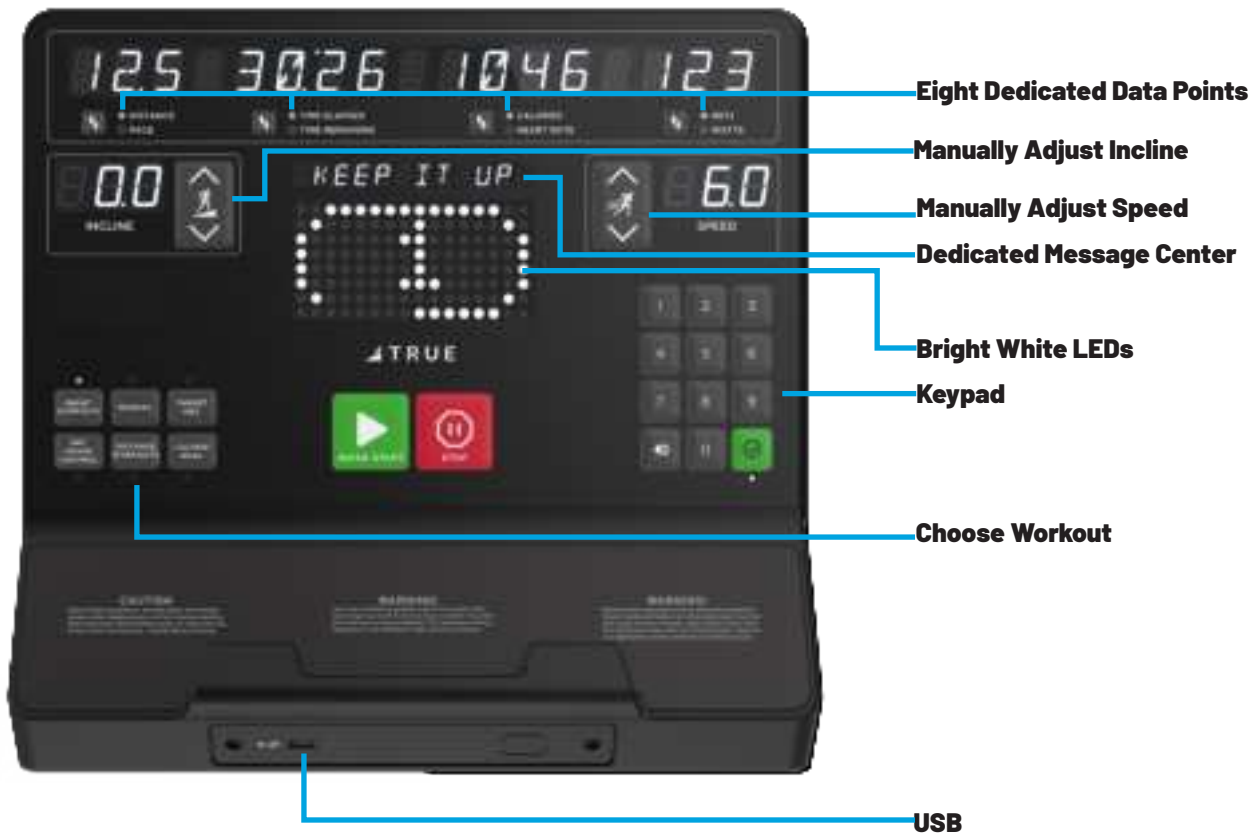


# CONSOLE OVERVIEW

## UNITE TOUCHSCREENS (16" SHOWN)



## UNITE LED



# CARE AND MAINTENANCE

It is important to perform the minor maintenance tasks described in this section. Failure to maintain the treadmill as described here could void the TRUE Fitness Warranty. To reduce the risk of electrical shock, always unplug the unit from its power source before cleaning or performing any maintenance tasks.

## INSPECTION

TRUE is not responsible for performing or scheduling regular maintenance or inspections. Users should inspect the treadmill daily. Check for worn, frayed or missing safety lanyards. Replace missing or worn safety lanyards immediately. Do not exercise on the treadmill without attaching the safety clip to your clothing. Look and listen for loose fasteners, unusual noises, worn or frayed power cords, and any other indications that the equipment may be in need of service. If any of these are noticed, obtain service. Do not attempt to use the treadmill until proper service has been performed or damaged parts have been replaced.

### IMPORTANT!

If you determine that the treadmill needs service, make sure that the treadmill cannot be used inadvertently. Turn the unit off, and then unplug the power cord from its power source. Remove the magnetic safety key and safety clip and store it in a safe place. Make sure other users know that the treadmill needs service. To order parts or to contact a TRUE authorized service representative, please visit [www.truefitness.com](http://www.truefitness.com).

## CLEANING THE EQUIPMENT

### AFTER EACH USE

- Use GymWipes™ Antibacterial wipes or spray a solution of 30 parts water to 1 part mild detergent to dampen a soft cloth and wipe all exposed surfaces.
- Use a LCD/screen cleaner or spray a solution of 1 part 91% isopropyl alcohol and 1 part water to dampen a soft cloth and wipe the surface of the console. This helps remove fingerprints, dust, and dirt.

### WEEKLY

- **Vacuum**—Use a vacuum to remove any dust or dirt that might have accumulated under or around the treadmill, any motor cover vents, and under the straddle covers. Clogged air vents can prevent adequate cooling to the drive motor, incline motor, and motor control board causing a shortened life.
- **Inspect Belt**—Check for proper running belt alignment and tension. If running belt adjustment is required, please see the following pages for how to adjust.

### ⚠ CAUTION:

Do not use any acidic cleaners. Doing so will weaken the paint or powder coatings and may void the TRUE Fitness Warranty. Never pour water or spray liquids on any part of the treadmill. Allow the treadmill to dry completely before using. Frequently vacuum the floor underneath the unit to prevent the accumulation of dust and dirt, which can affect the smooth operation of the unit. Use a soft nylon scrub brush to clean the running belt. Do not clean directly underneath the treadbelt. Most of the working mechanisms are protected inside the motor cover and base of the treadmill. However, for efficient operation, the treadmill relies on low friction. To keep the friction low, the unit's running belt, staging platforms, and internal mechanisms must be as clean as possible.

## MOVING THE MACHINE

### ⚠ CAUTION:

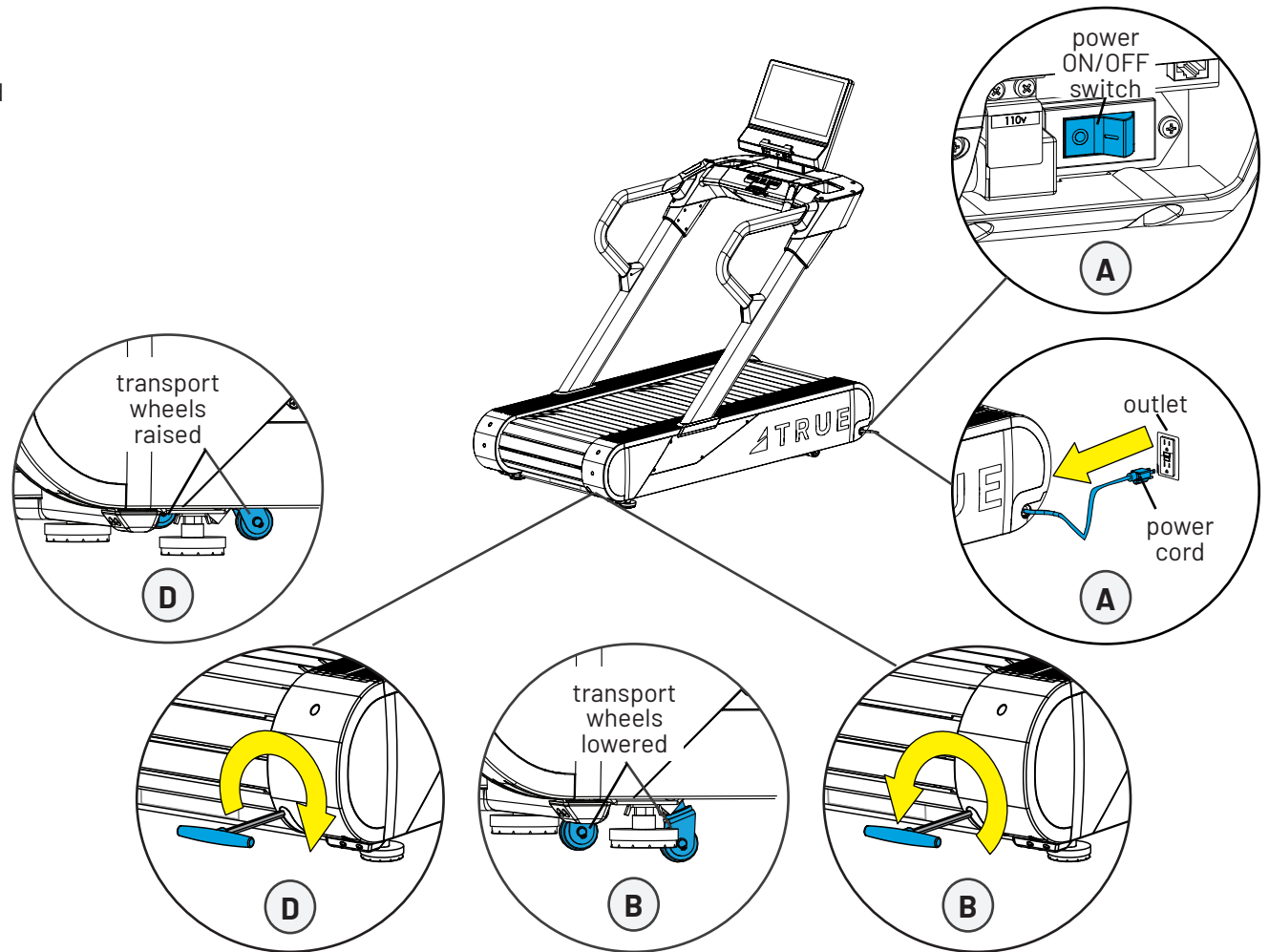
The machine can be moved by one or more persons. Use caution when you move the machine. The treadmill is heavy and can be awkward. Use a second person if necessary.

- A. Power OFF (⊖) the unit and disconnect the power cord from the wall outlet.
- B. Using the 10mm T handled allen wrench (TRUE P/N ST1021), rotate the bolt to the LEFT to LOWER the transport wheels. It will become increasingly difficult to turn the bolt as the transport wheels make contact with the ground.

- C. Carefully roll the machine on the transport wheels to its new location.

**IMPORTANT! Do not stand or rock on the machine when the transport wheels are lowered.**

- D. Using the 10mm T handled allen wrench, rotate the bolt to the RIGHT to RAISE the transport wheels. Once the bolt becomes easy to turn, the transport wheels are no longer on the ground.



## LEVELING THE MACHINE

### ⚠ CAUTION:

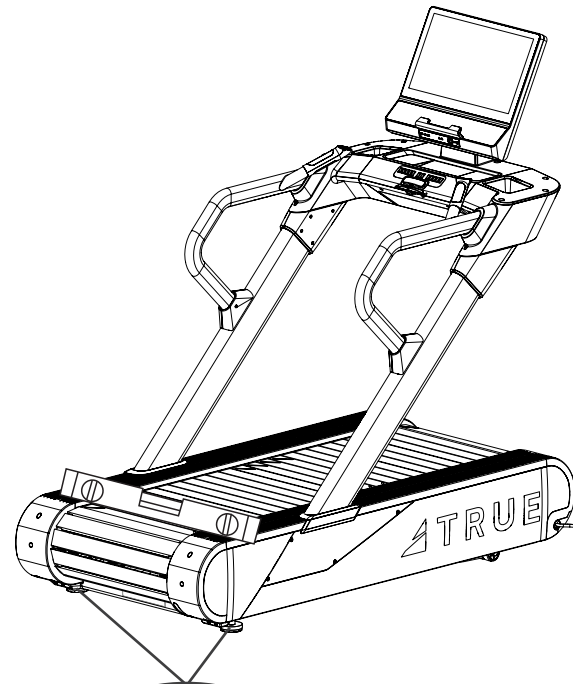
Prevent potential damage to the machine and injury to the user. This unit is equipped with adjustable rear leveling feet. Make sure that the running surface is level at all times. If the treadmill is placed on an uneven surface, adjusting the rear feet can help, but may not completely compensate for extremely uneven surfaces. Treadmills that are not level can cause misalignment of the belt, uneven belt wear, and possible injuries for the user.

Once the machine has been moved to its designated location:

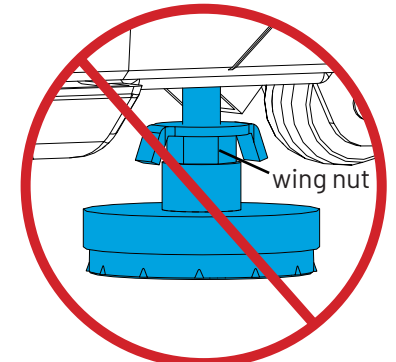
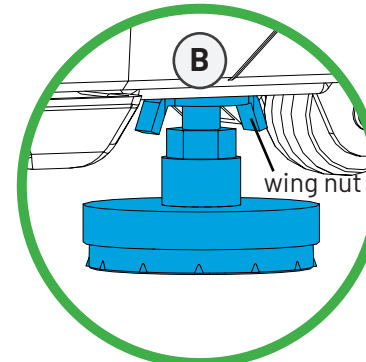
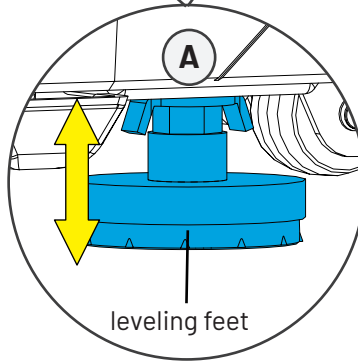
- A. Using a level or estimating by sight, adjust both leveling feet until they contact the floor.

**IMPORTANT! Do not adjust the leveling feet to such a height that they detach or unscrew from the machine.**

- B. Verify both wing nuts are securely tightened (wing nuts should be flush against the bottom of the frame).



**NOTE:** You should be able to loosen and tighten the wing nuts by hand. If not, using pliers can help.



## TENSIONING THE SLAT BELT

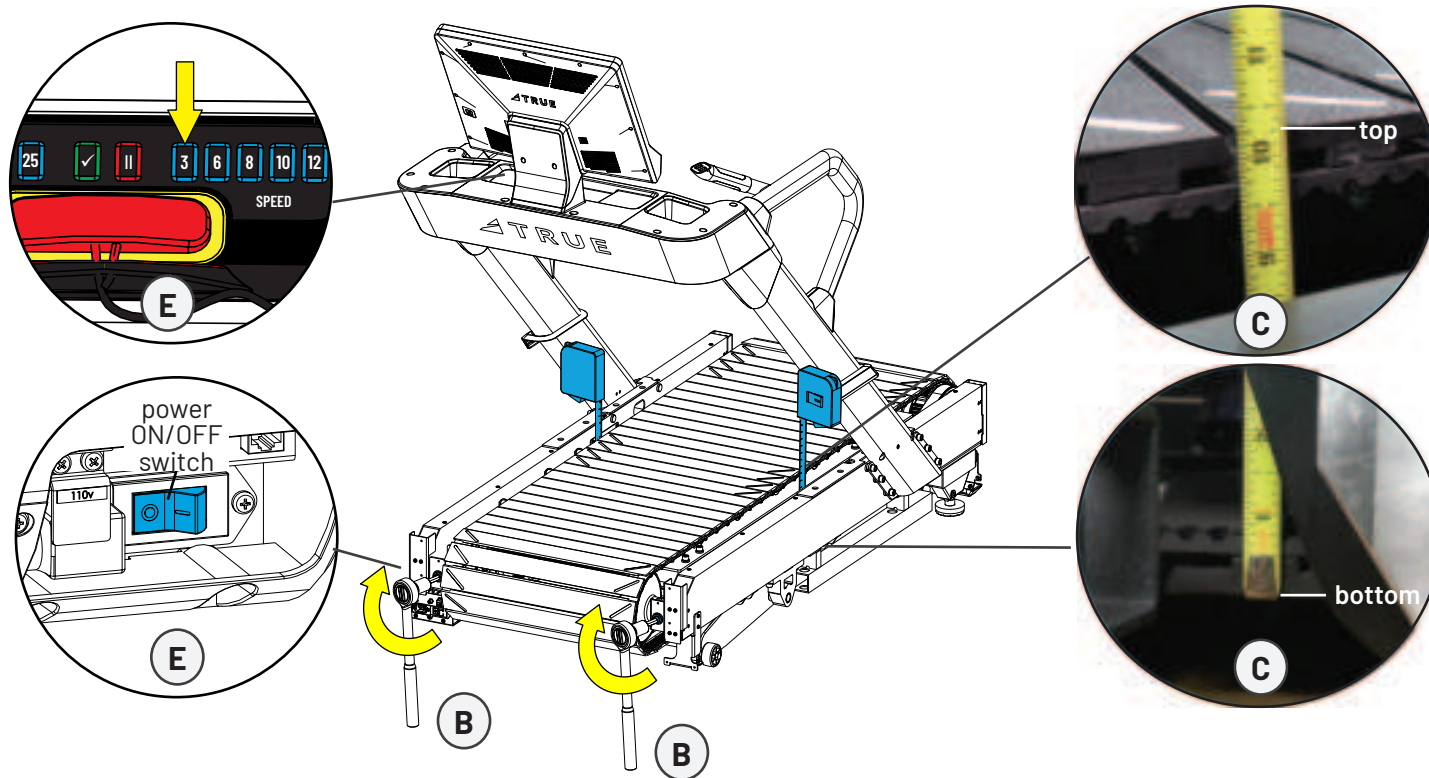
- A. Using a #2 Phillips screwdriver, remove the front roller covers and side straddle covers.
- B. Using an 8mm allen wrench or socket wrench with hex bit, turn both adjustment bolts clockwise  $\frac{1}{4}$  turn, alternating between the left and right bolts.
- C. Measure the vertical distance between the top and bottom of the slat belt assembly at the midspan confirming a measurement of  $10\frac{1}{4}$ " (26 cm).

**IMPORTANT! When measuring, do not pull up on the tape measure. Pulling up can cause the measurement to be off. Just rest the tape measure in place to achieve the most accurate reading.**

**NOTE:** You might need to go back and forth between the right side and left side a few times. Adjusting one side affects the other side, and you want to **be sure both sides measure  $10\frac{1}{4}$ " (26 cm)**.

- D. Reattach the side straddle covers and front roller covers.
- E. Turn the treadmill ON (⏻) and start the belt at 3mph (5kph). Keep off the unit to verify the slat belt is rotating smoothly.

**NOTE:** If a slipping, skipping, or jerking sensation is present, check the drive belt. The drive belt is separate from the slat belt. If the drive belt is slipping you will need to replace the drive belt. Contact TRUE product support.



## PREVENTATIVE MAINTENANCE

TRUE recommends that quarterly scheduled maintenance be performed by a qualified service technician. Please contact your dealer or visit [www.truefitness.com](http://www.truefitness.com) to contact a local TRUE authorized service technician.

**IMPORTANT! Use only TRUE Fitness certified service providers. Using non-authorized service providers could void the TRUE Warranty.**

Frequency	Tasks
Daily	<ul style="list-style-type: none"><li>• Look and listen for loose fasteners, unusual noises, worn or frayed cables, and any other indications that the equipment may be in need of service.</li><li>• Use GymWipes™ Antibacterial wipes or spray a solution of 30 parts water to 1 part mild detergent to dampen a soft cloth and wipe all exposed surfaces.</li><li>• Use a LCD/screen cleaner or spray a solution of 1 part 91% isopropyl alcohol and 1 part water to dampen a soft cloth and wipe the surface of the console. This helps remove fingerprints, dust, and dirt.</li></ul>
Weekly	<ul style="list-style-type: none"><li>• Vacuum any dust or dirt that might have accumulated under or around the treadmill. Clogged air vents can prevent adequate cooling to the drive motor, incline motor, and motor control board causing a shortened life.</li><li>• Check for proper slat belt tension.</li></ul>
Quarterly	<ul style="list-style-type: none"><li>• Record time, distance, and hours from the console.</li><li>• Check error log in console.</li><li>• Remove shroud covers and vacuum any debris out of the speed sensor, control electronics and moving parts.</li><li>• Move and vacuum underneath the machine.</li><li>• Inspect all fasteners.</li><li>• Inspect all electrical connections.</li><li>• Inspect components for abnormal or premature wear.</li></ul>

## LONG TERM STORAGE

When the treadmill is not in use for any length of time, turn it off. Make sure that the power cord is unplugged from the power source and is positioned so that it will not become damaged or interfere with people or other equipment.

## CLEANING AND STORING THE CHEST STRAP

Clean the chest strap using a sponge or soft cloth dampened in mild soap and water. Dry the surface thoroughly with a clean towel. Store the chest strap in a place where it remains free of dust and dirt. Be sure to protect the chest strap from extreme temperatures. Do not store it in a place that may be exposed to temperatures below 32° F (0° C).

# ADDITIONAL INFORMATION

## TROUBLESHOOTING

This troubleshooting information is intended to assist in diagnostics only and is not all inclusive. Technical specifications, error codes, and programming are subject to change without notice. TRUE accepts no liability for any damage or loss suffered by persons whom rely wholly or in part on any description or statement contained within this manual. Please visit [www.truefitness.com](http://www.truefitness.com) to obtain the most recent version of all manuals and contact TRUE product support (800-883-8783) for assistance with troubleshooting and diagnostics.

Malfunction	Possible Cause	Corrective Action
No Power	Unit turned off	Verify the On/Off switch is at the ON position
	Damaged power cord	Replace power cord
	Power cord not fully seated in socket	Inspect power connection at the unit and outlet
	No power at outlet	Using a voltmeter verify power at outlet
	Tripped circuit breaker	The location of the circuit breaker is next to the On/Off switch. Verify the circuit breaker is not open. If the breaker is open reset.
Unit resets or pauses randomly	Damaged power cord	Replace power cord
	Power cord not fully seated in socket	Inspect power connection at the unit and outlet
	Safety e-stop key not fully engaged	Re-engage the safety/e-stop key to the console
	Nucleus board may be damaged	Contact TRUE product support
	Insufficient power	Verify output voltage from 20A outlet with a voltmeter
	Error code is displayed on console	Contact TRUE product support
	Pinched or loose main communication cable	
No User Present displayed on screen	User weight must be over 90lbs. Verify No User Present settings in console.	
Walking belt hesitates or slips when stepping	Adjust belt tension	See Tensioning the Slat Belt
Rubbing sound from treadmill when in operation	Foreign object may be stuck under walking belt	Inspect under the unit. Remove and object that may be under the unit.
	Foreign object may be stuck in motor compartment	Contact TRUE product support
	Rollers may be damaged or misaligned	
	Drive motor may be damaged	
	Drive belt may be misaligned	
	Slats may be loose or broken	
	Interference with anti-pinch bracket	
	Adjust belt tension	See Tensioning the Slat Belt



Malfunction	Possible Cause	Corrective Action
Heart rate is displaying erratically or not displaying	Transmitter belt contacts are not making good contact with the skin	Re-adjust the transmitter belt so that it is in full contact with the skin
	Contacts on the transmitter belt are not moist	Moisten the contacts on the transmitter belt
	Transmitter belt is not within 3 feet (1 meter) of the heart rate receiver	Adjust your position on the belt so that you are within 3 feet (1 meter) of the console
	The battery inside the transmitter belt is depleted	Replace the transmitter belt with a compatible transmitter belt
	Another user wearing a compatible transmitter strap is within 3 foot (1 meter) of the unit	Move the units so that there is more space in-between units
	Environmental interference from high voltage power lines	Move the unit to another position within the room or move the cause of the interference until heart rate reading are stable. If the probable source of interference is plugged into the same outlet move the suspect source to another outlet.
	Environmental interference from computers	
	Environmental interference from motor driven appliances	
	Environmental interference from cell or cordless phone	
	Environmental interference from Wi-Fi router	
Contact Heart Rate not displaying	Machine needs to be restarted	Power cycle
	Cables are pinched or damaged	Contact TRUE product support
	Nucleus board may be damaged	Contact TRUE product support
	Heart Rate Grips may be damaged	Contact TRUE product support

# WARRANTY INFORMATION

**ATTENTION OWNER'S:** To ensure you get the most out of your purchase and receive the full benefits of our warranty, you must register your product within 45 days of purchaser's receipt of this product.

## COMMERCIAL WARRANTY

<b>CARDIO</b>				
WARRANTY ITEM	VAPOR, APEX	GRAVITY PLUS	GRAVITY	ADX, RO, SURGE
Frame*	7 Years (with registration)	7 Years (with registration)	7 Years (with registration)	5 Years (with registration)
Parts	3 Years	3 Years	3 Years	3 Years
Consoles	3 Years	3 Years	3 Years	2 Years
Labor**	2 Years (with registration)	2 Years (with registration)	1 Year (with registration)	1 Year (with registration)
Wear Items***	180 Days	180 Days	180 Days	90 Days

<b>STRENGTH</b>	
WARRANTY ITEM	PALLADIUM, FUSE XL, FORCE, FITNESS LINE, ATLAS, XFT, XFW, MP, SM, FT, FS
Frame*	10 Years (with registration)
Parts	5 Years
Cables and Linear Bearings	1 Year
Labor**	1 Year (with registration)
Wear Items***	90 Days (6 Months for FORCE only)

<b>FLEXIBILITY</b>	
WARRANTY ITEM	STRETCH
Parts	1 Year
Wear Items***	90 Days

**Warranty does not cover damage or equipment failure resulting from or caused by improper assembly/installation, accident, misuse, abuse, unauthorized modification, or failure to provide reasonable and necessary maintenance.**

\*Frame is the serialized base of the unit and does not include paint or coatings. Frame warranty will equal that of parts warranty unless, within 45 days of purchaser's receipt of this Product (A) the warranty is registered on-line or (B) if the form provided with equipment is filled in, signed by the original purchaser, and mailed to TRUE.

\*\*Labor warranty is available for equipment located within United States. TRUE Fitness equipment is automatically covered under a 6-month Limited Labor Warranty. This 6-month Limited Labor Warranty begins from the date of purchase shown by a valid receipt. If a valid receipt is not available, the 6-month Limited Labor Warranty period begins from the date of manufacture on the originally purchased equipment.

\*\*\*Wear Items include: batteries, covers, caps, badges, paint, pedal straps, toe clips, elliptical pedal inserts, foot pads, Coax/TV, HDMI, USB, mirroring or Ethernet connections, and safety key.

*See Warranty Details for product registration requirements, terms, conditions, and complete coverage details.*

**ATTENTION OWNER'S:** To ensure you get the most out of your purchase and receive the full benefits of our warranty, you must register your product within 45 days of purchaser's receipt of this product.

## LIMITED-USE COMMERCIAL WARRANTY\*

<b>CARDIO</b>				
<b>WARRANTY ITEM</b>	<b>VAPOR, APEX</b>	<b>GRAVITY PLUS</b>	<b>GRAVITY</b>	<b>LAUNCH</b>
Frame**	7 Years (with registration)	7 Years (with registration)	7 Years (with registration)	7 Years (with registration)
Parts	5 Years	5 Years	5 Years	5 Years
Consoles	3 Years	3 Years	3 Years	3 Years
Tread Belt and Deck	5 Years	5 Years	5 Years	2 Years
Labor***	3 Years (with registration)	3 Years (with registration)	2 Years (with registration)	1 Year (with registration)
Wear Items****	180 Days	180 Days	180 Days	90 Days

TRUE Fitness may offer alternative warranties to purchasers of commercial equipment for limited-use commercial.\* This policy ensures that customers who use commercial equipment for limited-use commercial use may receive alternative warranty coverage, provided they meet the specified requirements. It's important to note that the specific terms and conditions of the alternative warranty, as well as the eligibility criteria, may vary depending on the product and TRUE's policies at the time of purchase. Customers should review the warranty terms and contact TRUE for precise details.

\*To be eligible for the alternative limited-use commercial warranty, equipment use cannot exceed 6-hours use a day or be for use in a membership, dues paying, or institutional facility.

Customers must provide TRUE with the following within 45 days of installation of the qualifying commercial-rated equipment:

- Purchase agreement.
- Proof of professional delivery and installation.
- TRUE will recognize the alternative warranty for the purchaser and implement it within 45 days of receiving the required documentation if such an alternative warranty is available for the specific product.

**Warranty does not cover damage or equipment failure resulting from or caused by improper assembly/installation, accident, misuse, abuse, unauthorized modification, or failure to provide reasonable and necessary maintenance.**

\*\*Frame is the serialized base of the unit and does not include paint or coatings. Frame warranty will equal that of parts warranty unless, within 45 days of purchaser's receipt of this Product (A) the warranty is registered on-line or (B) if the form provided with equipment is filled in, signed by the original purchaser, and mailed to TRUE.

\*\*\*Labor warranty is available for equipment located within United States. TRUE Fitness equipment is automatically covered under a 6-month Limited Labor Warranty. This 6-month Limited Labor Warranty begins from the date of purchase shown by a valid receipt. If a valid receipt is not available, the 6-month Limited Labor Warranty period begins from the date of manufacture on the originally purchased equipment.

\*\*\*\*Wear Items include: batteries, covers, caps, badges, paint, pedal straps, toe clips, elliptical pedal inserts, foot pads, Coax/TV, HDMI, USB, mirroring or Ethernet connections, and safety key.

**See Warranty Details for product registration requirements, terms, conditions, and complete coverage details.**

**ATTENTION OWNER'S:** To ensure you get the most out of your purchase and receive the full benefits of our warranty, you must register your product within 45 days of purchaser's receipt of this product.

## IN-HOME USE WARRANTY\*

<b>CARDIO</b>				
<b>WARRANTY ITEM</b>	<b>VAPOR, APEX</b>	<b>GRAVITY PLUS</b>	<b>GRAVITY</b>	<b>LAUNCH</b>
Frame**	25 Years (with registration)	25 Years (with registration)	25 Years (with registration)	25 Years (with registration)
Drive Motor***	25 Years (with registration)	25 Years (with registration)	25 Years (with registration)	25 Years (with registration)
Parts	10 Years	12 Years	10 Years	7 Years
Consoles	3 Years	3 Years	3 Years	3 Years
Tread Belt and Deck	10 Years	10 Years	7 Years	5 Years
Labor****	2 Years (with registration)	2 Years (with registration)	2 Years (with registration)	1 Year (with registration)
Wear Items*****	180 Days	180 Days	180 Days	180 Days

TRUE Fitness may offer alternative warranties to purchasers of commercial equipment for in-home use.\* This policy ensures that customers who use commercial equipment for in-home use may receive alternative warranty coverage, provided they meet the specified requirements. It's important to note that the specific terms and conditions of the alternative warranty, as well as the eligibility criteria, may vary depending on the product and TRUE's policies at the time of purchase. Customers should review the warranty terms and contact TRUE for precise details.

\*To be eligible for the alternative in-home use warranty, equipment must be used at a home address and cannot be used outside of the purchaser of the equipment and their immediate family.

Customers must provide TRUE with the following within 45 days of installation of the qualifying commercial-rated equipment:

- Purchase agreement.
- Proof of professional delivery and installation.
- TRUE will recognize the alternative warranty for the purchaser and implement it within 45 days of receiving the required documentation if such an alternative warranty is available for the specific product.

**Warranty does not cover damage or equipment failure resulting from or caused by improper assembly/installation, accident, misuse, abuse, unauthorized modification, or failure to provide reasonable and necessary maintenance.**

\*\*Frame is the serialized base of the unit and does not include paint or coatings. Frame warranty will equal that of parts warranty unless, within 45 days of purchaser's receipt of this Product (A) the warranty is registered on-line or (B) if the form provided with equipment is filled in, signed by the original purchaser, and mailed to TRUE.

\*\*\*Drive Motor warranty will equal that of parts warranty unless, within 45 days of purchaser's receipt of this Product (A) the warranty is registered on-line or (B) if the form provided with equipment is filled in, signed by the original purchaser, and mailed to TRUE.

\*\*\*\*Labor warranty is available for equipment located within United States. TRUE Fitness equipment is automatically covered under a 6-month Limited Labor Warranty. This 6-month Limited Labor Warranty begins from the date of purchase shown by a valid receipt. If a valid receipt is not available, the 6-month Limited Labor Warranty period begins from the date of manufacture on the originally purchased equipment.

\*\*\*\*\*Wear Items include: batteries, covers, caps, badges, paint, pedal straps, toe clips, elliptical pedal inserts, foot pads, Coax/TV, HDMI, USB, mirroring or Ethernet connections, and safety key.

**See Warranty Details for product registration requirements, terms, conditions, and complete coverage details.**

**ATTENTION OWNER'S:** To ensure you get the most out of your purchase and receive the full benefits of our warranty, you must register your product within 45 days of purchaser's receipt of this product.

## WARRANTY DETAILS

All TRUE Fitness products are distributed by TRUE and are warranted to the original product purchaser and the parts of the TRUE product (the "Product") listed below. During the applicable Warranty Period, the Product, under normal use and service, shall be free of manufacturing defects in workmanship and materials.

### NOTE:

- Standard shipping is included with warranty part replacement.
- Shipping for warranty frame or replacement is included for the period of three years from the original date of purchase.

### All Warranty Items are "LIMITED"

- This limited warranty does not cover damage or equipment failure resulting from or caused by improper assembly/installation, failure to follow instructions and warnings in owner's manual, accident, misuse, abuse, unauthorized modification, failure to provide reasonable and necessary maintenance, software version upgrades, compatibility with third party/aftermarket hardware, software, applications, or websites.
- TRUE's liability shall under no circumstances exceed the actual amount paid by you for the product, nor shall TRUE under any circumstances be liable for any consequential, incidental, special or punitive damages or losses, whether direct or indirect.
- Some states or countries do not allow the exclusion or limitation of incidental or consequential damages, so the above limitation or exclusion may not apply to you.
- TRUE will neither assume nor authorize any person to assure for us any other obligation or liability concerning the sale of this Product. Under no circumstances shall TRUE be liable under this warranty, or otherwise, of any damage to any person or property, including any lost profits or lost savings, for any special, indirect, secondary, incidental, or consequential damages arising out of the use of or inability to use this Product.
- This limited warranty, which is given expressly and in lieu of all other express warranties, constitutes the only warranty made by TRUE.
- The remedies described herein are your sole and exclusive remedies and TRUE's entire liability for any breach of this limited warranty.
- No one is authorized to change, modify, or extend the terms of this limited warranty.
- This limited warranty is in lieu of all other warranties of any kind either expressed or including but not limited to implied warranties of merchant.
- This limited warranty applies to the product only while the product remains in the possession of the original purchaser and is not transferable.
- This limited warranty becomes VALID ONLY if the Product is initially assembled/installed by a TRUE authorized dealer/technician (if anyone other than a TRUE authorized dealer/technician initially assembles and installs the Product, this limited warranty will be void unless the written authorization of TRUE is first obtained).
- The "Warranty Period" for this limited warranty shall be for the duration forth in the applicable charts, beginning from the date of original purchase; provided, however, except to the extent prohibited by applicable law, the "Warranty Period" shall only be six months for labor (from the date of original purchase) unless, within 45 days of purchaser's receipt of this Product (A) the warranty is registered on-line or (B) if the form provided with equipment is filled in, signed by the original purchaser, and mailed to TRUE.
- All serial numbers must be intact on the Product for this limited warranty to be valid.
- Installation or download of any 3rd party or after-market products will result in voided warranty. This includes, but is not limited to, electrical and mechanical parts, software, or applications.
- TRUE will ship to an authorized service provider any new or rebuilt replacement part or component, or at our option, replace or refund the Product.
- Replacement parts are warranted for the remaining portion of the original warranty period.
- Proof/receipts of necessary maintenance may be required within 30 days of requested warranty part or service.
- This limited warranty does not apply to the performance of the heart rate accuracy will not be warranted as performance varies, based on user's physiology, age, method of use, and other external factors.

**ATTENTION OWNER'S:** To ensure you get the most out of your purchase and receive the full benefits of our warranty, you must register your product within 45 days of purchaser's receipt of this product.

## WARRANTY REGISTRATION

Thank you for purchasing a TRUE product!

To ensure you get the most out of your purchase and receive the full benefits of our warranty, **you must register your product within 45 days of purchaser's receipt of this product.**

How to register your product:

- **Online:**  
Simply visit our website at [truefitness.com](http://truefitness.com) and register your product warranty in one simple step.
- **QR Code:**  
Scan the QR code below with your smartphone to be taken directly to the registration page.



- **By Mail:**  
Complete the information below and mail to:  
TRUE Product Support  
865 Hoff Road  
St. Louis, MO 63366



**PLEASE RETAIN THIS PORTION FOR YOUR RECORDS**  
**BASE SERIAL NUMBER:**  
**CONSOLE SERIAL NUMBER:**



**TRUE FITNESS** Model No. TC1-SA-35  
TRUE FITNESS TECHNOLOGY, INC. 865 HOFF RD. ST. LOUIS, MO 63366, USA Serial No./Date Code 24-TC1SA35001A

**ETL** US CONFORMS TO ANSI/UL STD. 1647  
**CE** CERTIFIED TO CAN/USA STD. C22.2 NO. 60939  
**Intertek** 3135202

PRODUCT: Treadmill  
CLASS: S8  
STANDARD: EN ISO 20957-1  
EN957-6  
MAXIMUM USER WEIGHT: 226.7kg/500lbs

Intertek Testing Services Taiwan Ltd. MADE IN TAIWAN

## WARRANTY REGISTRATION

**Base Serial Number**

**Console Serial Number**

**Purchase Date**

**Company (if applicable)**

**Customer Name (First and Last)**

**Email Address**

**Phone Number**

**Street Address**

**City**

**State**

**Postal Code**

**Country**





CONTACT US  
service@truefitness.com  
800.883.8783

865 Hoff Road  
St. Louis, MO 63366

[TRUEFITNESS.COM](https://www.truefitness.com)



MAN-TC1-SA-35 Owner's Manual and Assembly Guide REV07

© 2025 TRUE Fitness All Rights Reserved.