

Battery-Powered Outdoor Security Camera

2K
QHD

Tapo C425

TC85

 Up to 300-Day Battery Life^Δ

Free Person/Pet/
Vehicle Detection

Color
Night Vision

Adjustable
Magnetic Base



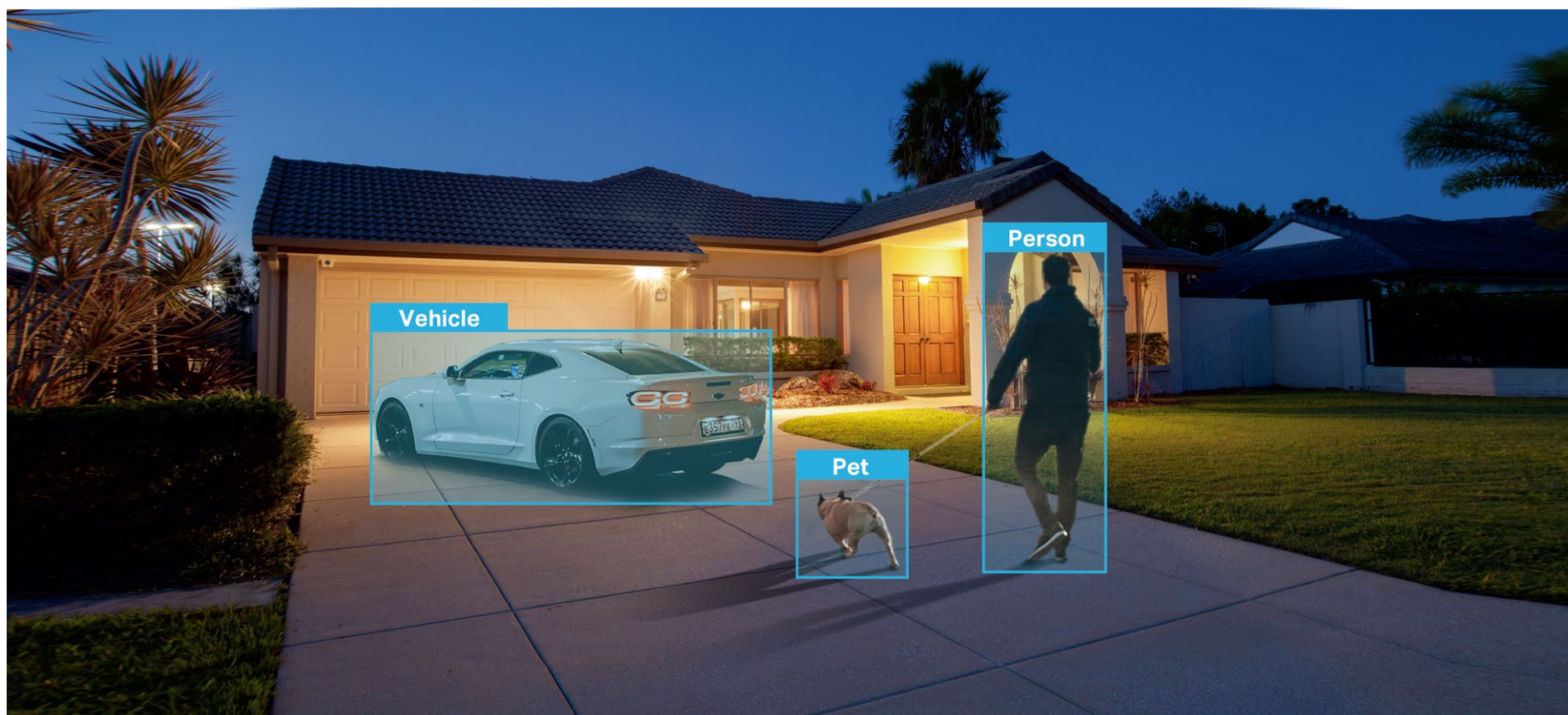
works with |  amazon alexa

 works with
Google Home

// Highlights

Free Person/Pet/Vehicle Detection

Smart AI accurately identifies people, pets, and vehicles, reducing false alerts and unnecessary notifications, which also extends battery life.



// Features



2K QHD Live View

Now with 1.7× more pixels than 1080p, providing clearer videos and more crisp photos.



Adjustable Magnetic Base

Thanks to a magnetic base, effortlessly place and rotate your camera at any angle, without needing to screw it into the bracket.



Local[†] and Cloud[‡] Storage

Save recorded video on a microSD card (up to 512 GB)[†], no subscription required. Cloud storage[‡] is also supported for flexibility.



Color Night Vision

Enhances your security by revealing vivid colors with built-in spotlights and starlight sensor.



142° Super-Wide FOV

Expands your visual coverage and ensures you to keep an eye on more vital areas.



10000mAh Rechargeable Battery

The built-in 10000mAh rechargeable battery leads to a long-lasting life (up to 300 days)^Δ, extending your usage.



Anti-Theft Alert & Privacy Lock

Get instantly notified if your camera is removed by an intruder. Secure your microSD card with a password through the Tapo app for enhanced privacy protection.



30-Day Free Trial of Tapo Care

Enjoy a one-time, 30-day free trial of advanced features with Tapo care cloud storage services.

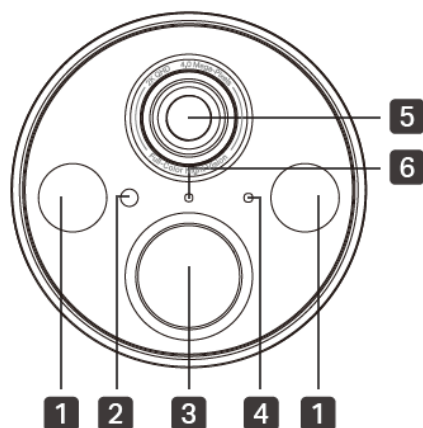


Customizable Sound and Light Alarm

Record your own audio as an alarm and adjust the brightness of dual spotlights for your customized use.

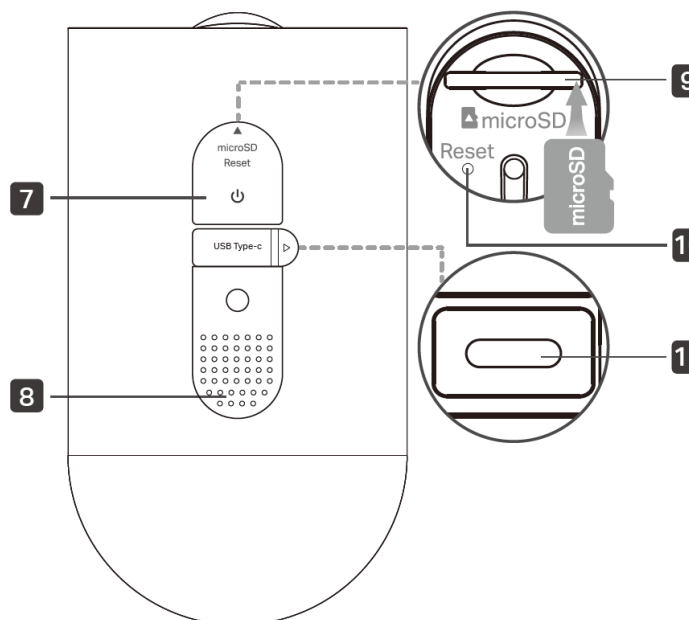
// Appearance

Front



- 1** Spotlights
- 2** Light Sensor
- 3** Motion Sensor
- 4** Microphone
- 5** Lens
- 6** Status LED

Side



- 7** **Power Button** Press and hold for about 3 seconds to turn on/off the camera.
- 8** **Speaker**
- 9** **microSD Card Slot**
Open the cover. Insert a microSD card* and initialize it on the Tapo app for local recording.
*microSD card not included.
- 10** **Reset Button**
Press and hold for 5s:
Reset Wi-Fi while keep other settings.
Press and hold for 10s:
Reset to factory settings.
- 11** **USB Type-C Charging Port**
Open the cover for USB charging.

*microSD card needs to be purchased separately. Actual storage capacity depends on the size of the microSD card used.

†Subscribe for cloud storage at <https://www.tapo.com/tapocare/>

‡300-day battery life is based on TP-Link laboratory tests with 230s of use per day. Increased usage of 360s per day reduces battery life to 180 days. Actual battery life may vary due to device settings, usage, router specifications, and environmental factors.

*Frame rate varies at different frequencies. Frame Rate is up to 25fps at 50Hz and 30fps at 60Hz.

**Tapo solar panel purchased separately. Actual experience may vary due to placement angle, weather conditions, and camera usage.

For more information, please visit <https://www.tapo.com/>

All brands and product names are trademarks or registered trademarks of their respective holders. Specifications are subject to change without notice.

// Specifications

Camera	Image Sensor	1/3" Progressive Scan CMOS Starlight Sensor
	Lens	Focal Length: 2.53 mm Aperture: F1.6 Field of View: 142° (Diagonal), 122° (Horizontal), 66° (Vertical)
	Night Vision	850 nm IR LED (49 ft / 15 m) Color Night Vision
	Day/Night Switch	IR Mode / Full-Color Mode
	Lighting	2× Spotlights
	Interface & Button	1× POWER Button 1× RESET Button 1× microSD Card Slot (Up to 512 GB)
Video & Audio	Maximum Resolution	2K QHD 4MP (2560 × 1440 px)
	Frame Rate	15/20/(25/30)fps*
	Digital Zoom	12×
	Video Compression	H.264
	Live View	Yes
	Image Enhancement	3D DNR WDR
	Audio Input & Output	Built-in Microphone and Speaker
	Audio Communication	Two-Way Audio with Noise Cancellation

Video & Audio	Siren Volume	94 dB (Level measured at 4-inch/10-cm distance)
Storage	Local Storage	microSD Card Slot on Camera (Up to 512 GB)
	Cloud Storage	Tapo Care Cloud Storage Services (Subscription required)
Detection & Notification	Sensor	Single Motion Sensor (FOV: 130° horizontal) Single Ambient Light Sensors
	Detection	Motion Detection Person Detection Pet Detection Vehicle Detection
	Activity Zones	Yes
	Output Notification	System Notification System Notification with Snapshot (Tapo Care Services)
Network	Network Connectivity	Connect via Wi-Fi
	Wireless Connectivity	IEEE 802.11 b/g/n, 2.4 GHz Wi-Fi
	Transmission Rate	11b: 11 Mbps 11g: 54 Mbps 11n: 72.2 Mbps
	Protocol	TCP/IP, ICMP, DNS, HTTPS, TCP, UDP
Security	Security	128-bit AES Encryption with SSL/TLS WPA/WPA2-PSK/WPA3-PSK

Power	Power Source	10000 mAh Built-in Rechargeable Lithium-ion Battery Optional Solar Panel: Tapo A202 (Sold separately)**
	Input Voltage	Adapter Input: 100-240 V, 50/60 Hz
	Output Voltage	Adapter Output: 5.0 V, 2.0 A
	Power Cord Length	USB Adapter Cable Length: 0.5 m (19.68 in.)
	Typical Power Consumption	Camera Typical Power Consumption: 1.19 W
	Maximum Power Consumption	Camera Max Power Consumption: 2.09 W
General	Smart Integration	Google Assistant, Amazon Alexa
	Weather Resistance	IP66
	Mounting Options	Tabletop Ceiling-Mounted Wall-Mounted
	Operating Temperature	-20°C ~ 45°C (-4 °F ~ 113 °F)
	Storage Temperature	-20°C ~ 60°C (-4 °F ~ 140 °F)
	Operating Humidity	10%~90% RH, Non-condensing

General	Storage Humidity	5%~90% RH, Non-condensing
	Charging Temperature	0°C ~ 45°C (32 °F ~ 113 °F)
	Dimensions	Camera Dimensions: 4.57 × 2.55 × 2.55 in (116.2 × 64.8 × 64.8mm)
	Weight	Camera Weight: 11.82 oz / 335 g Magnetic Base Weight: 2.68 oz / 76 g
	Package Contents	<ul style="list-style-type: none"> Tapo Camera x1 Mounting Template x1 Metal Plate x1 Magnetic Base x1 Mounting Screws Mounting Anchors USB Adapter Cable x1 Quick Start Guide