



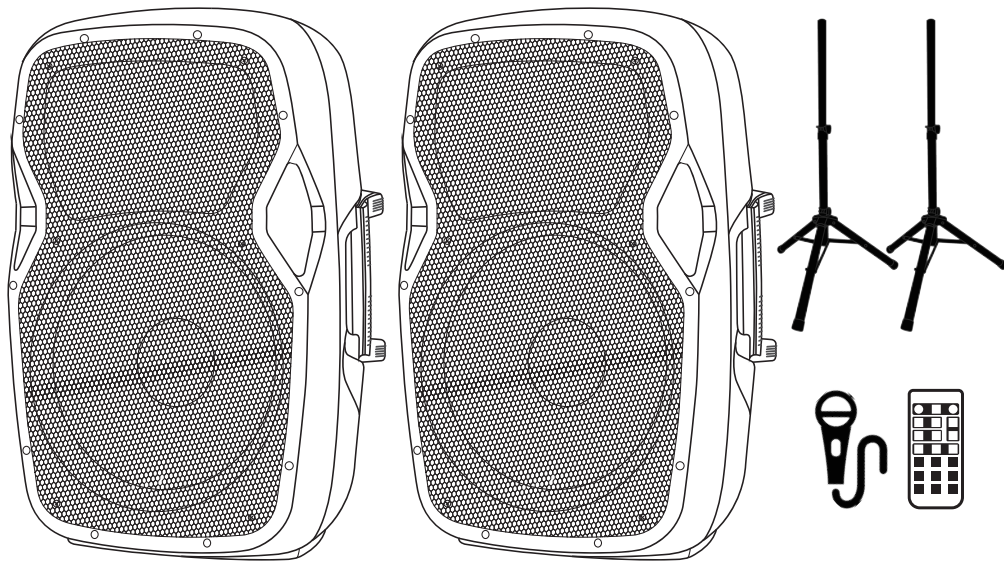
# EX-12A/EX-15A BARON SERIES

600W/800W ACTIVE SPEAKER

600W/800W PASSTIVE SPEAKER

## EX-12A/EX-15A BARON SERIES

12/15 INCH PROFESSIONAL COMBO SPEAKER  
(ACTIVE & PASSTIVE)



EX-12A/EX-15A BARON SERIES

### CONTENTS

1.0 IMPORTANT SAFETY INSTRUCTIONS .....	01
2.0 INTRODUCTION .....	02
2.1 ACTIVE & PASSTIVE SPEAKER .....	02
2.2 FEATURES .....	02
3.1 REAR PANEL(1) .....	03
3.2 REAR PANEL (2) .....	03
4.1 REAR PANEL DESCRIPTION .....	04
5.1 DESCRIPTION OF WIRED MICROPHONE .....	05
5.2 INSTRUCTION FOR SPEAKER TRIPOD .....	05
6.1 REMOTE CONTROL DESCRIPTION .....	06
6.2 TIPS ON USING THE REMOTE CONTROL .....	06
7.1 BLUETOOTH CONNECTION .....	07
7.2 ACTIVE SPEAKER CONNECTS TO PASSIVE SPEAKER .....	07
8.1 EX-12A PRODUCT SIZE .....	08
8.2 EX-15A PRODUCT SIZE .....	08
9.1 PACKAGE CONTECTS .....	09
9.2 TROUBLE SHOOTIN .....	09
10.1 SERVICE AND REPAIR .....	10
10.2 WARRANTY INFORMATION .....	10
10.3 CUSTOMER SERVICE AND TECHNICAL SUPPORT .....	10



FOR MORE INFORMATION, PLEASE FOLLOW  
EXOTON'S SOCIAL MEDIA PLATFORM.

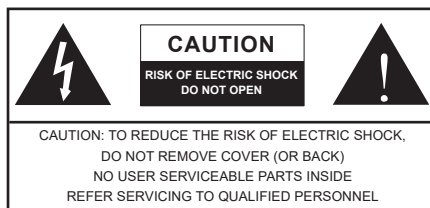
# User's Manual

## 1.0 IMPORTANT SAFETY INSTRUCTIONS

The apparatus shall not be exposed to dripping or splashing and that no objects filled with liquids, such as vases, shall be placed on the apparatus. The MAINS plug is used as the disconnect device, the disconnect device shall remain readily operable.

**Warning:** the user shall not place this apparatus in the confined area during the operation so that the mains switch can be easily accessible.

1. Read these instructions before operating this apparatus.
2. Keep these instructions for future reference.
3. Heed all warnings to ensure safe operation.
4. Follow all instructions provided in this document.
5. Do not use this apparatus near water or in locations where condensation may occur.
6. Clean only with dry cloth. Do not use aerosol or liquid cleaners. Unplug this apparatus before cleaning.
7. Do not block any of the ventilation openings. Install in accordance with the manufacturer's instructions.
8. Do not install near any heat sources such as radiators, heat registers, stoves, or other apparatus (including amplifiers) that produce heat.
9. Do not defeat the safety purpose of the polarized or grounding-type plug. A polarized plug has two blades with one wider than the other. A grounding type plug has two blades and a third grounding prong. The wide blade or the third prong is provided for your safety. If the provided plug does not fit into your outlet, consult an electrician for replacement of the obsolete outlet.
10. Protect the power cord from being walked on or pinched particularly at plug, convenience receptacles, and the point where they exit from the apparatus.
11. Only use attachments/accessories specified by the manufacturer.
12. Use only with a cart, stand, tripod, bracket, or table specified by the manufacturer, or sold with the apparatus. When a cart is used, use caution when moving the cart/apparatus combination to avoid injury from tip-over.
13. Unplug this apparatus during lightning storms or when unused for long periods of time.
14. Refer all servicing to qualified service personnel. Servicing is required when the apparatus has been damaged in any way, such as power-supply cord or plug is damaged, liquid has been spilled or objects have fallen into the apparatus, the apparatus has been exposed to rain or moisture, does not operate normally, or has been dropped.



The lightning flash with arrowhead symbol, within an equilateral triangle, is intended to alert the user to the presence of uninsulated "dangerous voltage" within the product's enclosure that may be of sufficient magnitude to constitute a risk of electric shock to persons.



The exclamation point within an equilateral triangle is intended to alert the user to the presence of important operating and maintenance (servicing) instructions in the literature accompanying the appliance.

**WARNING:** To reduce the risk of fire or electric shock, do not expose this apparatus to rain or moisture.

**CAUTION:** Use of controls or adjustments or performance of procedures other than those specified may result in hazardous radiation exposure.



## 2.0 INTRODUCTION

Congratulations on your purchase of the EX-12A/EX-15A Baron Series professional combo speaker. Baron Series speakers have an attractive yet impact-resistant design. The angled molded enclosure is made of highly durable polypropylene and is designed for use as a stage monitor, standmounted speaker or for permanent installation.

### 2.1 ACTIVE & PASSTIVE SPEAKER

The EX-12A/EX-15A Baron Series speaker is a complete package 2x12"/2x15" PA system. Everything you need in a pro PA system setup is included: You get two 12"/15" pro audio speakers with 1200/1600 watts of total power. The system includes a master active speaker that features the built in amplifier and a slave passive 12"/ 15" speaker that is powered from the master speaker/amp. Rounding off this system are speaker stands so you can mount the speakers, a microphone and all connection cables necessary, so that you can get your party started right out of the box. The EX-12A/EX-15A is perfect for DJ applications, karaoke, and parties or for live music gigs.

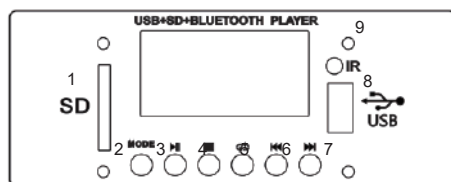
The EX-12A/EX-15A has a great Bluetooth integration, USB input, SD card input, and preset digital graphic equalizer effects. The ABS plastic polymer cabinet is time aligned with the drivers so the system is optimized to deliver a massive amount of bass, clean mids, and clear highs. The main active unit features are beginning to distort so you can keep control on the music. Separate Bass and Treble controls are also included so that you can custom tailor your sound stage. There is also a built in equalizer allowing you to adjust the sound to the style of music you are listening too.

The built in USB input and SD input are great options for playing back any of your stored music on USB or SD cards. The Bluetooth integration features the latest in BT protocol from the world leader in Bluetooth technology; CSR. Bluetooth is a great feature for powered pro audio speakers because it allows you to easily and wireless stream your music from any Bluetooth enabled MP3 player or phone. Also included in the MP3 section of the unit is a built-in FM radio.

### 2.2 FEATURES

- ▶ 600/800 Watts RMS
- ▶ 12" Woofer
- ▶ Mic / Line Balanced Preamp
- ▶ Switching Power Supply (115-230V, 50-60 Hz)
- ▶ Balanced XLR-type inputs with switched Mic/Line sensitivity and XLR-type LINK OUT
- ▶ 35mm socket on bottom for pole / stand mounting
- ▶ 7 color light

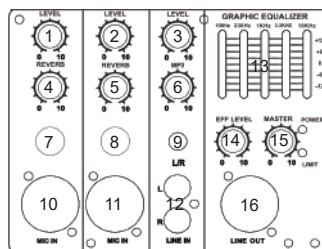
### 3.1 REAR PANEL (1)



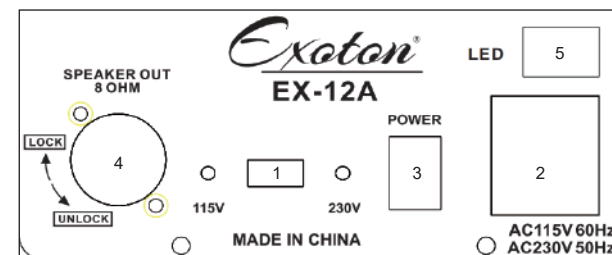
- 1、SD SLOT: Insert an SD card to read data from it
- 2、MODE BUTTON: Press to change modes between playing FM,USB, MP3 and Bluetooth
- 3、PLAY/PAUSE BUTTON: Press this button to start or pause play
- 4、RECYCLE BUTTON:Single song recycle/all songs recycle
- 5、FOLDER FUNCTION:Press this button to enter FOLDER selection
- 6、PREVIOUS BUTTON: Press this button to go to the previous track. Press and hold to scan backwards within tracks
- 7、NEXT BUTTON: Press this button to go to the next track. Press and hold to scan forwards within tracks
- 8、USB SLOT: You can play media files from a USB device by connecting the device to this slot
- 9、IR:Remote control receiver

### 3.2 REAR PANEL (2)

- 1、VOLUME LEVEL 1: Control the volume of line
- 2、VOLUME LEVEL 2: Control the volume of line
- 3、VOLUME LEVEL 3 : Control the volume of line
- 4、REVERB KONB :Control the reverberation of line
- 5、REVERB KONB :Control the reverberation of line
- 6、MP3 KONB :Controls the MP3 input volume
- 7、INSTRUMENT JACK:Two 1/4inch jack inputs for connecting musical Instruments
- 8、INSTRUMENT JACK:Two 1/4inch jack inputs for connecting musical Instruments
- 9、AUX IN::Auxiliary TRS input connector
- 10、MIC IN:This connector can either take a 1/4inch Jack balanced or an XLR balanced cabled microphone
- 11:MIC IN:This connector can either take a 1/4inch Jack balanced or an XLR balanced cabled microphone
- 12、RCA LINE IN:RCA connectors for line signal input
- 13、5 BAND EQ CONTROL:Adjust the amount of each frequency component in the sound signal to obtain the desired emphasis effect
- 14、EFF LEVEL:Control total reverb
- 15、MASTER VOLUME CONTROL:Adjust the total volume
- 16、XLR LINE OUT:RCA connectors for line signal output



### 4.1 REAR PANEL DESCRIPTION



#### 1.VOLTAGE SELECTOR

This switch allows you to select the AC electric current in use in your region. It is very important that you select the correct MAINS POWER voltage before plugging in the power cord. For 220-240 volts 50 Hz, push the switch up. For 110-120 volts60 Hz, push the switch down. Voltage levels vary from country to country, (even from city to city in certain countries). For example, North America uses a 110-120 volt,60HZ system, while the European standard is 220-240 volt,50HZ

#### 2.IEC SOCKET

Connect the supplied AC power cord here. Since Baron active speakers have built-in power amplifiers, you must connect them to an AC power supply or you won't get any sound.

Note: If you happen to leave the power cord behind at agig, don't worry.The 3-pin plug with ground pin is readily available at most office and computer supply stores.

#### 3. POWER SWITCH

To turn on the Baron active speaker set the power switch to the on (I) position. To turn the Performer off, set the switch to the off position (o). Make sure the volume control is turned down all the way before you turn the power on or off.

#### 4. SPEAKON JACK

Use a cable to plug into this jack to connect active and passive speakers.

#### 5. LIGHT SWITCH

Press to turn on or off the seven-color light.

**5.1 DESCRIPTION OF WIRED MICROPHONE**

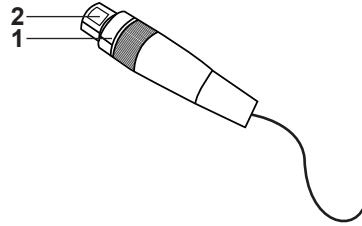
1. Installation and disassembly of connecting cables

(1) Installation of connecting line:

Counterclockwise rotation ① to open the Cannon plug;  
 Press the button ② to push the XLR plug into the microphone;  
 Release the button ② and rotate it clockwise ① to lock it;

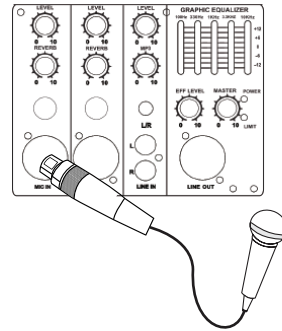
(2) Disassembly of the connecting line

Counterclockwise rotation ① to open the Cannon plug;  
 Press the button ② to pull the XLR plug out of the microphone;



2. Connect the microphone to the speaker

Plug the other end of the microphone into the back jack of the speaker 5/8/9. This microphone and jack 8/9 connection of sound performance will be more perfect.



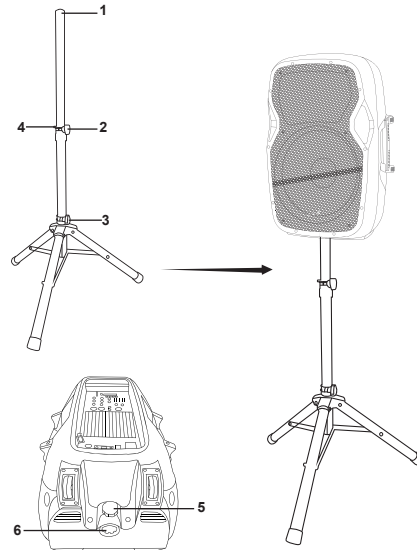
3. Instructions for using the microphone

- (1) Yelling may occur when covering the microphone head with your hand or holding the microphone close to the speaker. In this case, the first step is to reduce the volume. Then open the distance with a megaphone. Finally try to position the microphone against the speaker.
- (2) When the microphone sensitivity is high, care must be taken not to fall from the height, impact or give a strong impact.
- (3) When not in use, the microphone should be stored in a dry, clean place. Avoid storage or use in high temperature and humidity, so as not to affect sensitivity and timbre.

**5.2 INSTRUCTION FOR SPEAKER TRIPOD**

1.Steps for installing sound box support

- (1) Turn the knob on the bracket 2/3 counterclockwise, and then adjust the bracket to a suitable height and tighten the lock clockwise.
- (2) Insert 4 into the bracket jack to fix.
- (3) Turn the knob 6 at the bottom of the speaker counterclockwise.
- (4) Align jack 5 at the bottom of the speaker with jack 1 of the support. After the installation is stable, lock the thick button 6 clockwise.



**6.0 REMOTE CONTROL DESCRIPTION**

1.STANDBY ON

Start the EX-12A/EX-15A system or switch it to standby mode.

2.MODE

Press to change modes between playing FM, USB, MP3 or Bluetooth.

3.MUTE

Pause/resume sound playback

4.EQ

Adjust the amount of each frequency component in the sound signal to obtain the desired emphasis effect.

Note: This button only works with speakers with EQ functionality. This speaker does not have the EQ function.

5/6.VOL +/-

Adjust the volume

7.Previous track ◀◀

8.Next track ▶▶

9.Music play/pause ▶||

10.SCN

FM Search channel

11.RPT

Single track loop mode

12.Number keys

The remote control has 10 keys ranging from 0 to 9. In the music playing state, press the number key to enter the music it represents. For example, if the number "8" in your playlist is "8", pressing the "8" key will play the music represented by the number "8".

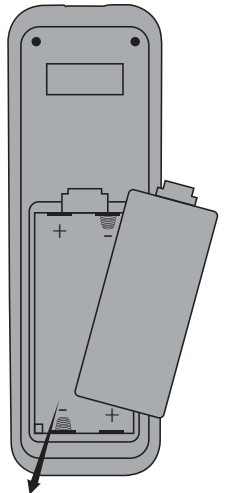
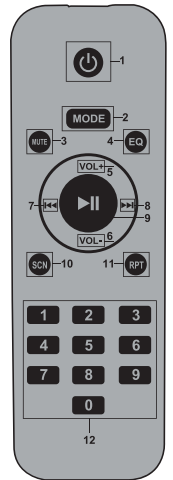
**Note:** The included remote control has no battery. To ensure that the battery is not dangerous due to leakage, there will be no batteries in the remote control. Before using the remote control, you need to purchase the matching 7 battery. You can buy it easily at a nearby convenience store or store. The remote won't work unless you have the battery installed correctly in positive and negative directions!

**6.1 TIPS ON USING THE REMOTE CONTROL**

Certain conditions (such as indoor lighting, furniture that interferes with the signal path, or direct sunlight) can interfere with how the remote works.

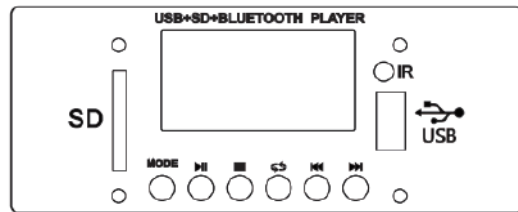
If the remote doesn't work:

- . The battery is not installed or properly installed.
- . Point the remote control directly at the right speaker receiving the signal from the remote control.
- . Dim lights or move speakers in the room to avoid direct sunlight.
- . When you use the remote control, stay close to the system.
- . If the problem persists, replace the battery on the remote control.



Please buy batteries and install them!

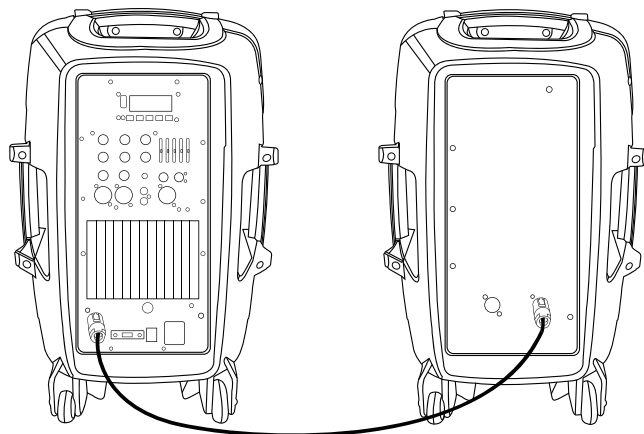
**7.1 BLUETOOTH CONNECTION**



1. Activate the BT-function on your device (Mobile phone, tablet etc.) from which you want to play the music. See the operating instructions for that device.
2. Press the "MODE" button and activate BT-function.
3. Select the Bluetooth name "EXOTON" on your device to connect.

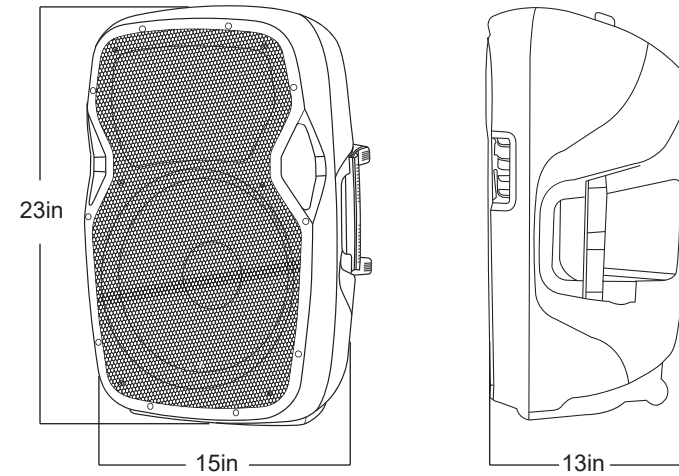
Attention: The BT distance is approx. 10 meter without any barrier.

**7.2 ACTIVE SPEAKER CONNECTS TO PASSIVE SPEAKER**

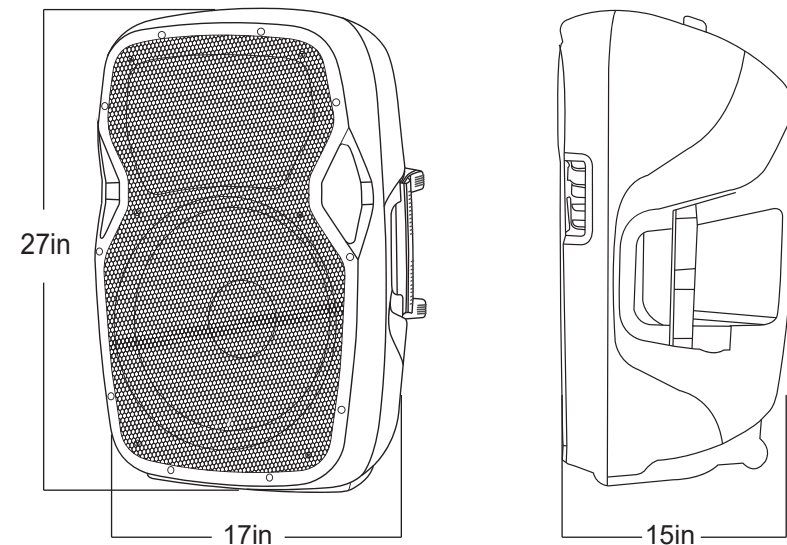


Plug the cable into the SPEAKER jack of the active and passive speaker to connect

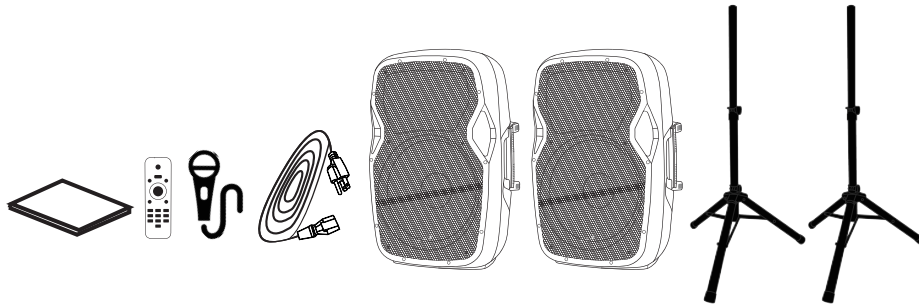
**8.1 EX-12A PRODUCT SIZE**



**8.2 EX-15A PRODUCT SIZE**



**9.1 PACKAGE CONTENTS**



- |                 |    |                  |    |
|-----------------|----|------------------|----|
| Active Speaker  | X1 | Remote Control   | X1 |
| Passive Speaker | X1 | Wire Microphones | X1 |
| Cabinet Stands  | X2 | Speaker Cable    | X1 |
| Power Cable     | X1 | User Manual      | X1 |

**9.2 TROUBLE SHOOTING**

Refer to the chart below if the speaker does not function properly. If the problem you are experiencing is not listed, or if the instructions fail to help you resolve the problem, disconnect the power cord and contact us immediately.

Problem	Cause	Solution
No power supply is provided even if the power plug is in the open position.	The power plug is not securely connected or there is no safety connection.	Ensure that all audio source devices are powered on and functioning properly. Attach the power plug firmly or reattach it securely.
	The connected socket is not energized.	Replace energized sockets.
No sound.	The audio signal has not been connected to the audio source input interface behind the speaker.	Connect the audio signal correctly to the audio input interface behind the speaker.
	The audio source device is not enabled.	Ensure that all audio source devices are powered on and functioning properly.
	The VOLUME control is set to 0.	Turn the VOLUME control on clockwise.
Sound quality deteriorates.	Connection error.	1. Check whether the audio signal cable is correctly connected to the output port of the audio source device.
	Loudspeaker failure.	2. Check whether all the speakers on the speaker box are making sound. If there is no sound, contact us immediately.
	Poor contact.	3. Check whether the connector of the speaker is oxidized and whether the terminal of the speaker is loose.
Sound level is too low.	You are playing an underbass.	Change the correct audio source.
	The volume control is set too low.	Turn the volume control clockwise to a suitable level.
The remote control does not control the hoist.	The battery is not installed correctly.	Install the battery correctly.
	The remote control is too far from the speaker.	Shorten the distance between remote control and speaker
	Battery failure caused by long service time.	Replace a new battery.

To purchase EXOTON other products , please contact us at [sales@hyaudio.com.cn](mailto:sales@hyaudio.com.cn) ([mike@hyaudio.com.cn](mailto:mike@hyaudio.com.cn)). Our other product list please visit: <https://hyanka.myshopify.com>. You can also contact us directly through Amazon and we will help you find the item you want.

**10.1 SERVICE AND REPAIR**

For spare parts, service and maintenance, please contact us at [sales@hyaudio.com.cn](mailto:sales@hyaudio.com.cn) ([mike@hyaudio.com.cn](mailto:mike@hyaudio.com.cn)) to purchase additional replacement parts or for other maintenance related matters. The company does not issue service manuals to users, and users are advised not to attempt any self-maintenance. Because doing so would void all warranties. If you have any question, also can visit our website to find the answers: <https://hyanka.myshopify.com>.

**10.2 WARRANTY INFORMATION**

EXOTON is committed to providing the best warranty service for each product. From the date of original purchase, EXOTON provides a warranty of three months for any material or workmanship problems arising out of strict compliance with the instructions. EXOTON may repair the product within this warranty period. Please be sure to properly keep the "proof" of purchase products, so as to obtain warranty service. Products without purchase certificate will not be accepted for return, and warranty service. The warranty service is limited to problems arising from normal use. Users should strictly follow the instructions for correct use. Any wanton damage or unauthorized maintenance of the machine, accident, wrong use, human negligence, etc., will not be accepted by the warranty scope. In addition, the guaranteed repair is only valid for purchase in the Brand's Amazon store or brand website store. If you have other questions, please visit: <https://hyanka.myshopify.com>.

**10.3 CUSTOMER SERVICE AND TECHNICAL SUPPORT**

You are welcome to visit our website at <https://hyanka.myshopify.com>. From this website, you can get answers to frequently asked questions, technical guidance, return instructions and other helpful information. We do our best to respond to your inquiry within one business day.

<https://hyanka.myshopify.com>



FOR MORE INFORMATION, PLEASE FOLLOW EXOTON'S SOCIAL MEDIA PLATFORM.