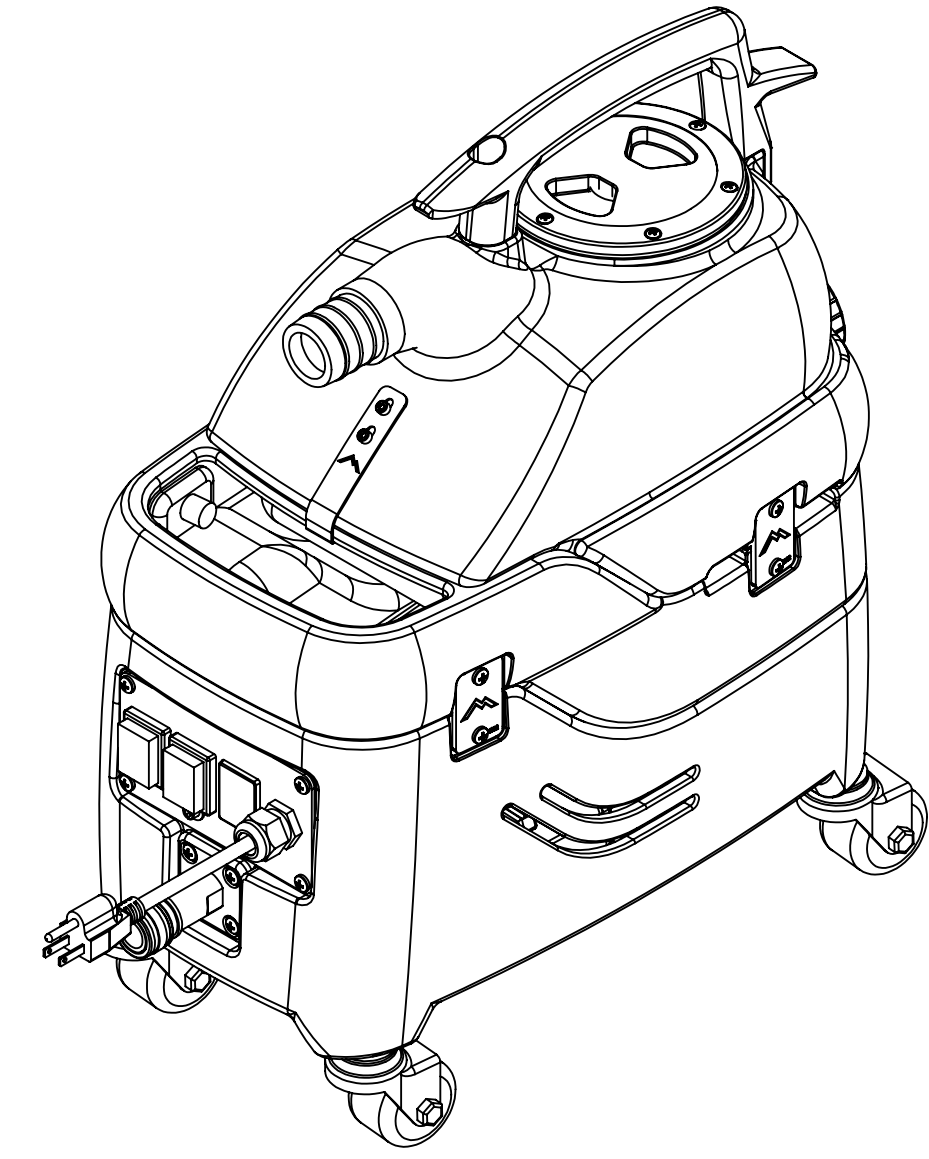


ITEM NO.	PART NO.	DESCRIPTION	QTY.
1	H246	screw, 8-32 x 3/8" SHCS, alloy, Black	2
2	H451	latch, S-300H	1
3	H770	bolt, 1/4-20 x 1/2" serrated hex flange, zinc	2
4	H611	handle, S-300H, black	1
5	H304	screw, #8 x 5/8", phil oval, self tapping, s/s	6
6	G030	lid, vac tank, 3.5", clear	1
7	G058	vac tank deflector	1
8	G217	filter, foam, 1.33" x .50"	1
9	G216	filter, screen mesh, 1.33" x 8 mesh	1
10	P610	vac tank, S-300H	1
11	G036	cap, 2.5" threaded, tethered	1
12	G004	gasket, vacuum motor	2
13	C316	vac motor, 2 stage, 115V, peripheral	1
14	H206	nut, lock, flange, 3/8-16, nylon insert, s/s	4
15	H638	caster, swivel, stem, 2", w/out lock	4
16	H273	nut, kep, #10-32 zinc	8
17	H484	plate, mounting, QD	1
18	H256	screw, 10-32 x 3/4", phil pan, s/s	6
19	H221	nut, lock, 1/2" steel, electrical	1
20	H289	washer, 10 flat, s/s	1
21	H389	screw, 10-32 x 1/2" SHCS, alloy	1
22	H220	fitting, strain relief, cord	1
23	E533	power cord, male end, blue lit, 25', 16/3, SJTW solid jacket, LA0041	1
24	P967A	plug, switch	1
25	E536	switch, rocker, 2 position	2
26	H029	screw, plastife, 10 x 1/2", s/s	4
27	H310	plate, switch, MyteeLite, 3 hole	1
28	B102	quick disconnect, 1/4" fqd x 1/4" fpt	1
29	B166	fitting, brass, 1/4"mpt x 1/4" push-in	2
30	P612	base, S-300H	1
31	PH657-4	tubing, 1/4", nylon, blk	1
32	B140	connector, 1/4" push-in x 1/8" mpt	2
33	C378	pump, 55psi, 115V flojet	1
34	H250	bracket, set 55 psi pump	2
35	B119	filter, strainer, 1/4"	1
36	B112	adapter, filter, 1/4" mpt x .453 slip	1
37	H212	flat washer, 9/16"ID x 1 1/16"OD, AN960-C916	2
38	P611	sol tank, S-300H	1
39	B207	elbow, brass, 90 deg, 1/4" fpt x 1/4" fpt	1
40	PH657-14	tubing, 1/4", nylon, blk	1
41	H230	screw, 10-32 x 1/2", phil pan, s/s	10
42	H312	plate, connecting, MyteeLite	5

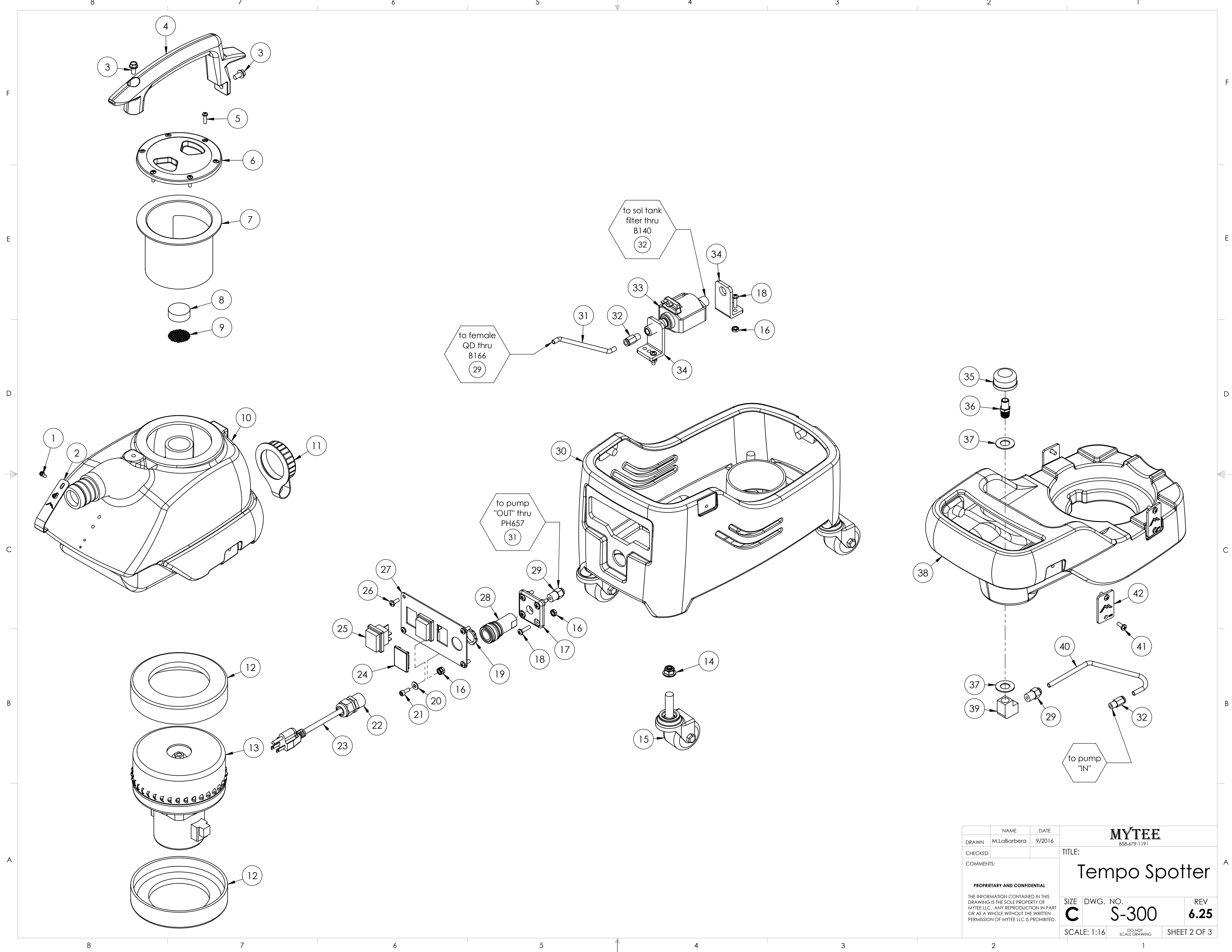
REVISIONS			
REV.	DESCRIPTION	DATE	APPROVED
OD	ORIGINAL DRAFT	2/2016	JFL
A	UPDATED PLUMBING	11/14/2016	ML
B	REPLACED E515 WITH E536	6/16/2025	JT



**ITEMS NOT SHOWN**

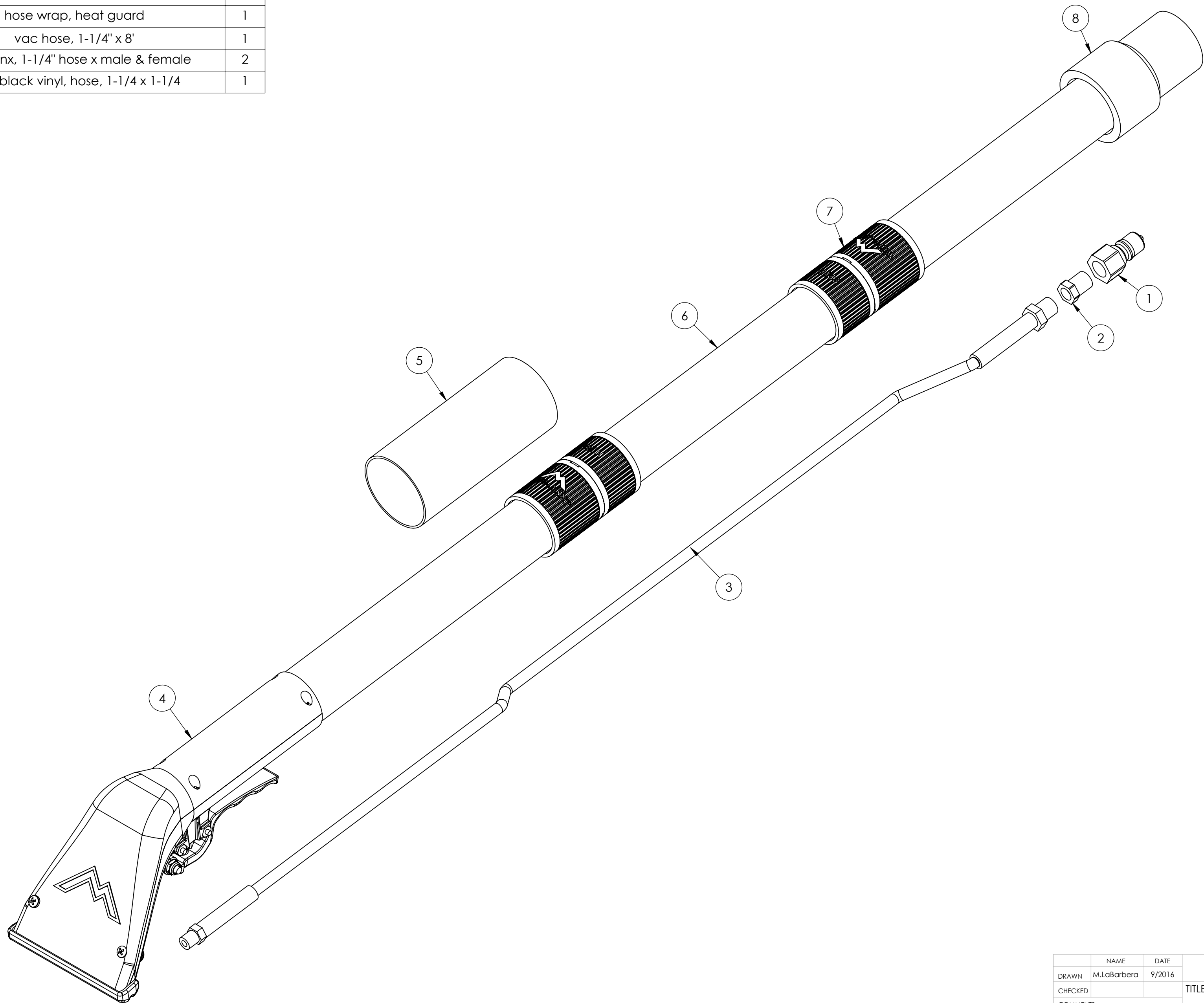
PART NO.	DESCRIPTION	QTY.
E395	harness, electrical, S-300	1

DRAWN	M.LaBarbera	DATE	9/2016	<b>MYTEE</b> 858-679-1191
CHECKED		TITLE:		
COMMENTS:				<b>Tempo Spotter</b>
<b>PROPRIETARY AND CONFIDENTIAL</b> THE INFORMATION CONTAINED IN THIS DRAWING IS THE SOLE PROPERTY OF MYTEE LLC. ANY REPRODUCTION IN PART OR AS A WHOLE WITHOUT THE WRITTEN PERMISSION OF MYTEE LLC IS PROHIBITED.				SIZE DWG. NO. REV <b>C S-300 6.25</b>
SCALE: 1:16			DO NOT SCALE DRAWING	SHEET 1 OF 3



	NAME	DATE	<b>MYTEE</b> 858-679-1191		
DRAWN	M.LaBarbera	9/2016			
CHECKED			TITLE:		
COMMENTS:			<b>Tempo Spotter</b>		
<small>PROPRIETARY AND CONFIDENTIAL</small> <small>THE INFORMATION CONTAINED IN THIS DRAWING IS THE SOLE PROPERTY OF MYTEE LLC. ANY REPRODUCTION IN PART OR AS A WHOLE WITHOUT THE WRITTEN PERMISSION OF MYTEE LLC IS PROHIBITED.</small>			SIZE	DWG. NO.	REV
			<b>C</b>	<b>S-300</b>	<b>6.25</b>
SCALE: 1:16			DO NOT SCALE DRAWING	SHEET 2 OF 3	

ITEM NO.	PART NO.	DESCRIPTION	QTY.
1	B101	quick disconnect, 1/4" mqd x 1/4" fpt	1
2	B104	bushing, brass, 1/4" mpt x 1/8" fpt	1
3	AH135	sol hose, 1/8" x 97", 1/8 mpt x 1/8 mpt	1
4	8400P	Air Lite	1
5	G079	hose wrap, heat guard	1
6	H360	vac hose, 1-1/4" x 8'	1
7	H133	Cuff-Lynx, 1-1/4" hose x male & female	2
8	H943	cuff, black vinyl, hose, 1-1/4 x 1-1/4	1



	NAME	DATE	<b>MYTEE</b> 858-679-1191		
DRAWN	M.LaBarbera	9/2016			
CHECKED			TITLE:		
COMMENTS:			<b>Tempo Spotter</b>		
<small> <b>PROPRIETARY AND CONFIDENTIAL</b>            THE INFORMATION CONTAINED IN THIS DRAWING IS THE SOLE PROPERTY OF MYTEE LLC. ANY REPRODUCTION IN PART OR AS A WHOLE WITHOUT THE WRITTEN PERMISSION OF MYTEE LLC IS PROHIBITED.         </small>			SIZE	DWG. NO.	REV
			<b>C</b>	<b>S-300</b>	<b>6.25</b>
SCALE: 1:16			DO NOT SCALE DRAWING	SHEET 3 OF 3	