

DVD HOME THEATER SOUND SYSTEM DVX-C310/DVX-C310SW

DVR-C310

SERVICE MANUAL

DVX-C310 consists of the DVR-C310 and NX-P300.

DVX-C310SW consists of the DVR-C310 and NX-SW300.

This service manual is for the DVR-C310.

For the NX-P300 and NX-SW300 service manual, please refer to the following publication number :

DVR-C300/NX-P300 (Including NX-SW300) 100946

IMPORTANT NOTICE

This manual has been provided for the use of authorized YAMAHA Retailers and their service personnel. It has been assumed that basic service procedures inherent to the industry, and more specifically YAMAHA Products, are already known and understood by the users, and have therefore not been restated.

WARNING: Failure to follow appropriate service and safety procedures when servicing this product may result in personal injury, destruction of expensive components, and failure of the product to perform as specified. For these reasons, we advise all YAMAHA product owners that any service required should be performed by an authorized YAMAHA Retailer or the appointed service representative.

IMPORTANT: The presentation or sale of this manual to any individual or firm does not constitute authorization, certification or recognition of any applicable technical capabilities, or establish a principle-agent relationship of any form.

The data provided is believed to be accurate and applicable to the unit(s) indicated on the cover. The research, engineering, and service departments of YAMAHA are continually striving to improve YAMAHA products. Modifications are, therefore, inevitable and specifications are subject to change without notice or obligation to retrofit. Should any discrepancy appear to exist, please contact the distributor's Service Division.

WARNING: Static discharges can destroy expensive components. Discharge any static electricity your body may have accumulated by grounding yourself to the ground buss in the unit (heavy gauge black wires connect to this buss).

IMPORTANT: Turn the unit OFF during disassembly and part replacement. Recheck all work before you apply power to the unit.

CONTENTS

TO SERVICE PERSONNEL	2-3	INTERNAL VIEW	8
PREVENTION OF ELECTROSTATIC DISCHARGE	4	REPAIR NOTES	8
LOCALE MANAGEMENT INFORMATION	4	DISASSEMBLY PROCEDURES	9-10
SYSTEM COMPOSITION	5	BLOCK DIAGRAM	12
FRONT PANEL	5	WIRING DIAGRAM	13
REAR PANEL	6	PRINTED CIRCUIT BOARDS	14-22
REMOTE CONTROL PANEL	6	SCHEMATIC DIAGRAMS	23-37
SPECIFICATIONS	6-7	REPLACEMENT PARTS LIST	38-39
DIMENSIONS	7		



このサービスマニュアルは、エコマーク認定の再生紙を使用しています。
This Service Manual uses recycled paper.

101015

© 2006 YAMAHA CORPORATION. All rights reserved.
This manual is copyrighted by YAMAHA and may not be copied or redistributed either in print or electronically without permission.



YAMAHA


YAMAHA CORPORATION
P.O.Box 1, Hamamatsu, Japan

'06.07

DVR-C310

■ TO SERVICE PERSONNEL

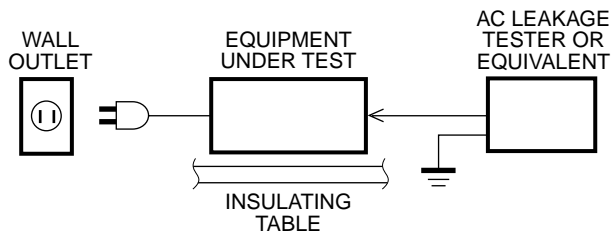
1. Critical Components Information

Components having special characteristics are marked  and must be replaced with parts having specifications equal to those originally installed.

2. Leakage Current Measurement (For 120V Models Only)

When service has been completed, it is imperative to verify that all exposed conductive surfaces are properly insulated from supply circuits.

- Meter impedance should be equivalent to 1500 ohms shunted by 0.15 μ F.
- Leakage current must not exceed 0.5mA.
- Be sure to test for leakage with the AC plug in both polarities.



THE DVD AUDIO/VIDEO PLAYER SHOULD NOT BE ADJUSTED OR REPAIRED BY ANYONE EXCEPT PROPERLY QUALIFIED SERVICE PERSONNEL.

WARNING: CHEMICAL CONTENT NOTICE!

The solder used in the production of this product contains LEAD. In addition, other electrical/electronic and/or plastic (where applicable) components may also contain traces of chemicals found by the California Health and Welfare Agency (and possibly other entities) to cause cancer and/or birth defects or other reproductive harm.

DO NOT PLACE SOLDER, ELECTRICAL/ELECTRONIC OR PLASTIC COMPONENTS IN YOUR MOUTH FOR ANY REASON WHATSOEVER!

Avoid prolonged, unprotected contact between solder and your skin! When soldering, do not inhale solder fumes or expose eyes to solder/flux vapor!

If you come in contact with solder or components located inside the enclosure of this product, wash your hands before handling food.

WARNING: Laser Safety

This product contains a laser beam component. This component may emit invisible, as well as visible radiation, which may cause eye damage. To protect your eyes and skin from laser radiation, the following precautions must be used during servicing of the unit.

- 1) When testing and/or repairing any component within the product, keep your eyes and skin more than 30 cm away from the laser pick-up unit at all times. Do not stare at the laser beam at any time.
- 2) Do not attempt to readjust, disassemble or repair the laser pick-up, unless noted elsewhere in this manual.
- 3) CAUTION : Use of controls, adjustments or performance of procedures other than those specified herein may result in hazardous radiation exposure.

Laser Emitting conditions:

- 1) When the Top Cover is removed, and the STANDBY/ON SW is turned to the "ON" position, the laser component will emit a beam for several seconds to detect if a disc is present. During this time (5-10 sec.) the laser may radiate through the lens of the laser pick-up unit. Do not attempt any servicing during this period!
If no disc is detected, the laser will stop emitting the beam. When a disc is loaded, you will not be exposed to any laser emissions.
- 2) The laser power level can be adjusted with the VR on the pick-up PWB, however, this level has been set by the factory prior to shipping from the factory. Do not adjust this laser level control unless instruction is provided elsewhere in this manual. Adjustment of this control can increase the laser emission level from the device.

Laser Diode Properties

Type: Semiconductor laser GaAlAs
 Wave length: 650 nm (DVD)
 784 nm (VCD/CD)
 Output Power: 7 mW (DVD/VCD/CD)
 Beam divergence: 60 degree

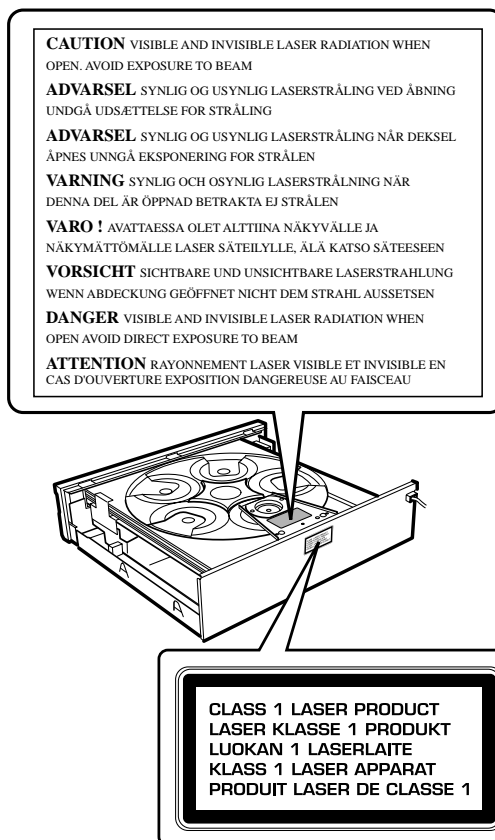
VARO! : AVATTAESSA JA SUOJALUKITUS OHITETTAESSA OLET ALTTIINA NÄKYMÄTTÖMÄLLE LASER-SÄTEILYLLE. ÄLÄ KATSO SÄTEESEEN.

WARNING! : OSYNLIG LASERSTRÅLNING NÄR DENNA DEL ÄR ÖPPNAD OCH SPÄRREN ÄR URKOPPLAD. BETRAKTA EJ STRÅLEN.

WARNING

The use of optical instruments with this product will increase eye hazard.

Repair handling should take place as much as possible with a disc loaded inside the player.



Warning for power supply

The primary side of the power supply carries live mains voltage when the player is connected to the mains even when the player is switched off !

This primary area is not shielded so it is possible to touch copper tracks and/or components when servicing the player. Service personnel have to take precautions to prevent touching this area or components in this area.

Note:

The screws on the DVD mechanism may never be touched, removed or re-adjusted.

Handle the DVD mechanism with care when the unit has to be exchanged!

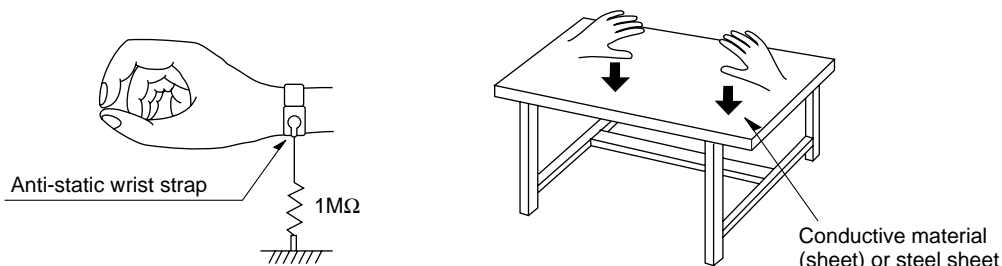
The DVD mechanism is very sensitive for dropping or giving shocks.

■ PREVENTION OF ELECTROSTATIC DISCHARGE

The laser diode in the traverse unit (optical pickup) may be damaged due to static electricity from clothes or the human body. Use caution to prevent electrostatic damage when servicing or handling the laser diode.

1. Grounding for electrostatic damage prevention

1. Worktable grounding
Put a grounded conductive material (sheet) or iron sheet on the area where the optical pickup is placed.
2. Human body grounding
Use an anti-static wrist strap to discharge the static electricity from your body.



2. Handling of the optical pickup

1. To prevent damage to the optical pickup replacement parts during transportation and before installation, both ends of the laser diode are short-circuited. After installing the new part, remove the short circuit according to the correct procedure in this service manual.
2. Do not use a tester to check the laser diode in the optical pickup. The power supply in the tester will damage the laser diode.

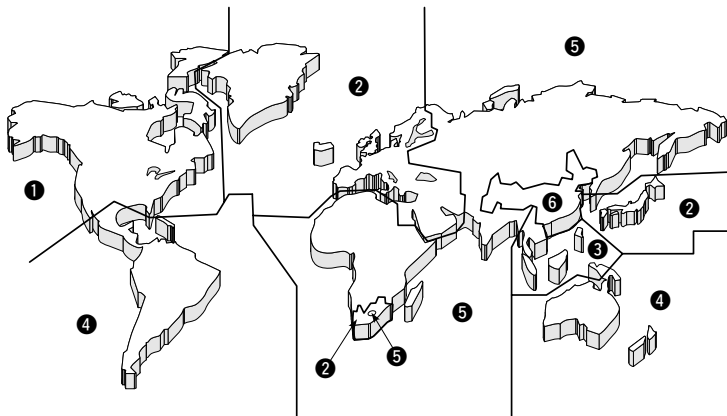
3. Handling Precautions for the Traverse Unit (Optical Pickup)

1. Handle the traverse unit (optical pickup) gently, as it is an extremely high-precision assembly.
2. The flexible cable lines may break if an excessive force is applied to it. Use caution when handling the cable.
3. The semi-fixed resistor for laser power adjustment should not be adjusted. Do not turn the resistor.

■ LOCALE MANAGEMENT INFORMATION

Locale Management Information : This DVD player is designed and manufactured to respond to the Locale Management Information that is recorded on a DVD disc. If the Locale number described on the DVD disc does not correspond to the Locale number of this DVD player, this DVD player cannot play this disc.

This product incorporates copyright protection technology that is protected by method claims of certain U.S. patents and other intellectual property rights owned by Macrovision Corporation and other rights owners. Use of this copyright protection technology must be authorized by Macrovision Corporation, and is intended for home and other limited viewing uses only unless otherwise authorized by Macrovision Corporation. Reverse engineering or disassembly is prohibited.

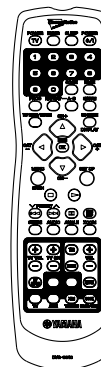
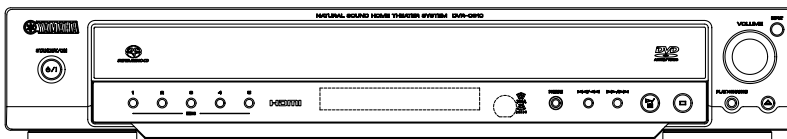


SYSTEM COMPOSITION

DVX-C310 consists of the DVR-C310 and NX-P300.

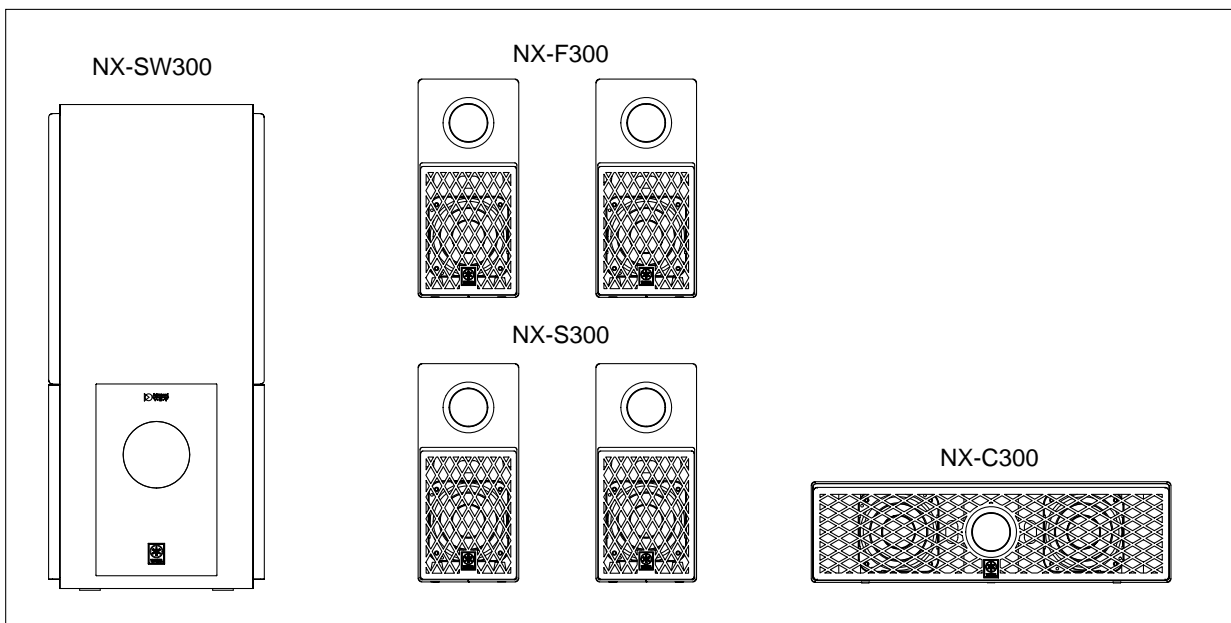
DVX-C310SW consists of the DVR-C310 and NX-SW300.

DVR-C310

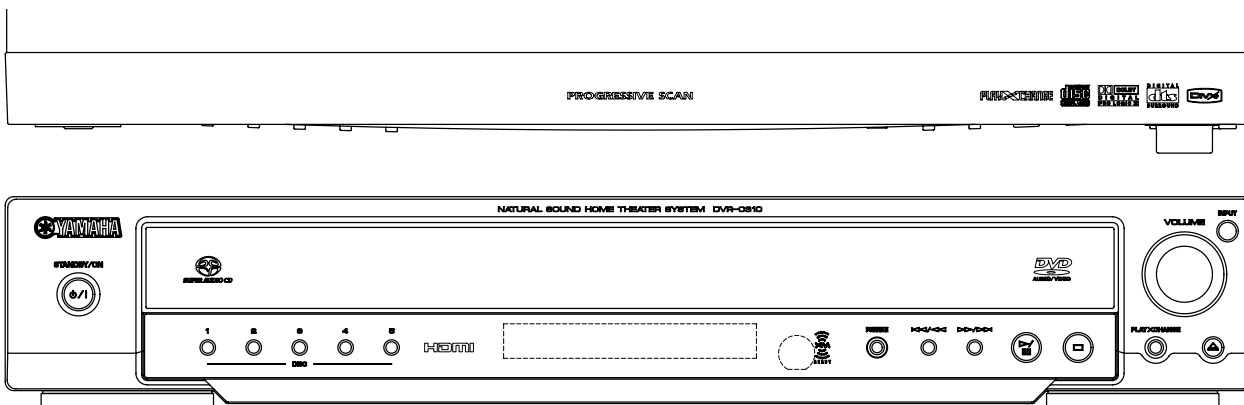


NX-P300

For the NX-P300 and NX-SW300 service manual, please refer to the DVR-C300/NX-P300 (Including NX-SW300) service manual (number : 100946).



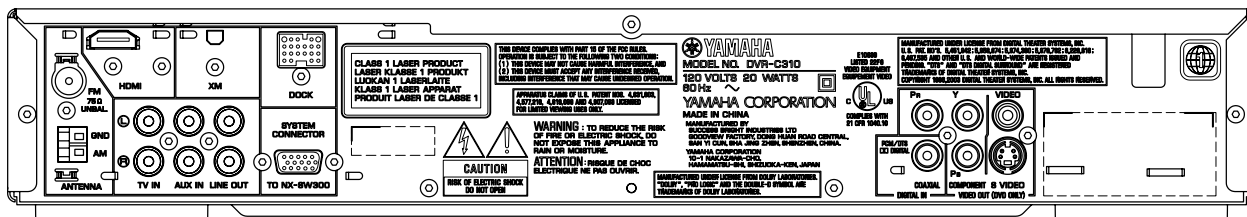
FRONT PANEL



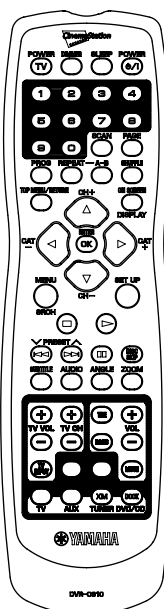
DVR-C310

REAR PANEL

▼ DVR-C310 (U, C models)



REMOTE CONTROL PANEL



SPECIFICATIONS

TUNER SECTION

FM Tuning Range	87.50 to 108.00 MHz	4 Hz to 22 kHz (48 kHz)
AM Tuning Range	530 to 1700 kHz	4 Hz to 44 kHz (96 kHz)

DISC SECTION

Laser Type	Semiconductor
Disc Diameter	12cm / 8cm
Video Decoding	MPEG-1 / MPEG-2 / DivX® 5, DivX® 4, DivX® 3
Video DAC	12 bits/108 MHz
Signal System	PAL / NTSC
Video Format	4:3 / 16:9
Composite Video Output	1.0 Vp-p, 75 ohms
S-video Output	Y - 1.0 Vp-p, 75 ohms C - 0.3 Vp-p, 75 ohms
Component Video Output	Y - 1.0 Vp-p, 75 ohms Pb/Cb Pr/CR - 0.7 Vp-p, 75 ohms
Audio DAC	24 bits / 192 kHz
Frequency Response	4 Hz to 20 kHz (44.1 kHz)

Audio S/N	105 dB
Distortion	0.0035 %
Dynamic Range	95 dB

AUDIO FORMAT

Digital	Dolby Digital/DTS/	
	MPEG	Compressed Digital
	PCM	16, 20, 24 bits
		fs 44.1, 48, 96 kHz
	MP3 (ISO 9660)	24, 32, 56, 64, 96, 128, 256 kbps
		fs 16, 22.05, 24, 32, 44.1, 48 kHz
	WMA	32 to 192 kbps, mono, stereo
	Full decoding of Dolby Digital and DTS multi-channel sound/ Dolby Surround Compatible Downmix from Dolby Digital multi- channel sound	
	Dolby Pro Logic II	

GENERAL

Power Supply Rating	
U, C models	120 V, 60 Hz
Power Consumption	20 W
Frequency Response	20 Hz to 20 kHz / -3 dB (Front, Center, Surround)
Signal to Noise Ratio	> 100 dB
Input Sensitivity	
AUX In, TV In	300 mV
Dimensions (W x H x D)	435 x 75 x 434 mm (17-1/8" x 2-15/16" x 17-1/16")
Weight	5.6 kg (12 lbs. 5 oz.)
Finish	Black color (U, C models) Silver color (U, C models)

ACCESSORIES

Remote Control	x1
Battery	x2
Indoor FM Antenna	x1
AM Loop Antenna	x1
Video Pin Cable (1.5m)	x1
System Control Cable (4m)	x1

* *Specifications subject to change without prior notice.*

PLAYXCHANGE

Capable of changing discs without interrupting current disc playback.

Pressing PLAYXCHANGE on the front panel to open the disc tray and reload or unload discs during playback.



Manufactured under license from Dolby Laboratories. "Dolby", "Pro Logic", "MLP Lossless" and the double-D symbol are trademarks of Dolby Laboratories.



"DTS" and "DTS Digital Surround" are registered trademarks of Digital Theater Systems, Inc.



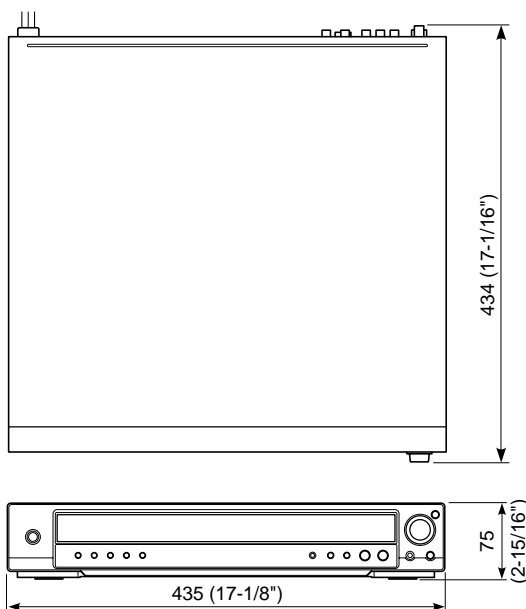
"DivX", "DivX Certified", and associated logos are trademarks of DivXNetworks, Inc. and are used under license.



The XM name and related logos are registered trademarks of XM Satellite Radio Inc.

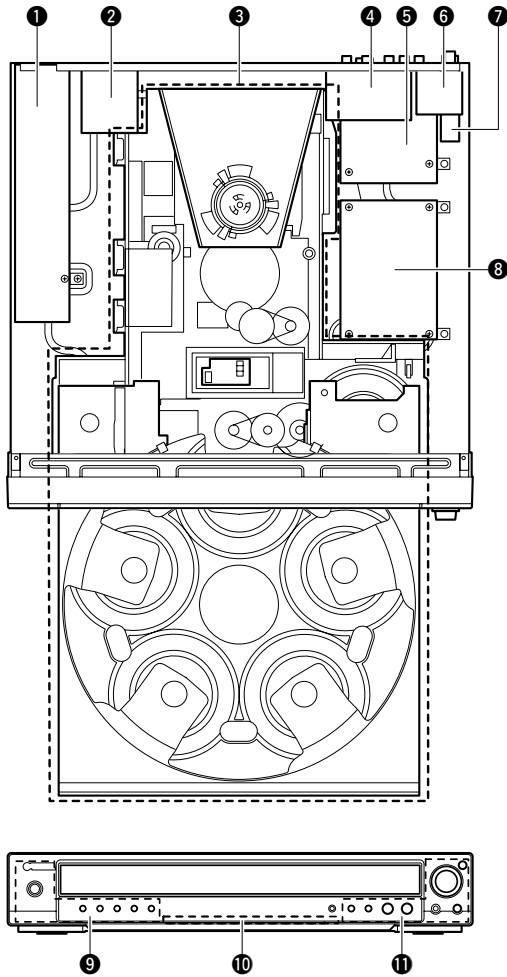
iPod®

"iPod" is a trademark of Apple Computer, Inc., registered in the U.S. and other countries.

■ DIMENSIONS

Unit : mm (inch)

INTERNAL VIEW



- ① POWER SUPPLY UNIT
- ② FRONT (4) P.C.B.
- ③ DVD 5-DISC CHANGER MODULE
- ④ XM P.C.B.
- ⑤ AV P.C.B.
- ⑥ HDMI P.C.B.
- ⑦ TUNER
- ⑧ MONO P.C.B.
- ⑨ FRONT (2) P.C.B.
- ⑩ FRONT (3) P.C.B.
- ⑪ FRONT (1) P.C.B.

REPAIR NOTES

1. DVD 5-Disc Changer Module

The DVD 5-disc changer module consists of the CM unit and tray ass'y. The DVD 5-disc changer module is supplied as a whole. Neither the CM unit nor tray ass'y can be supplied independently.

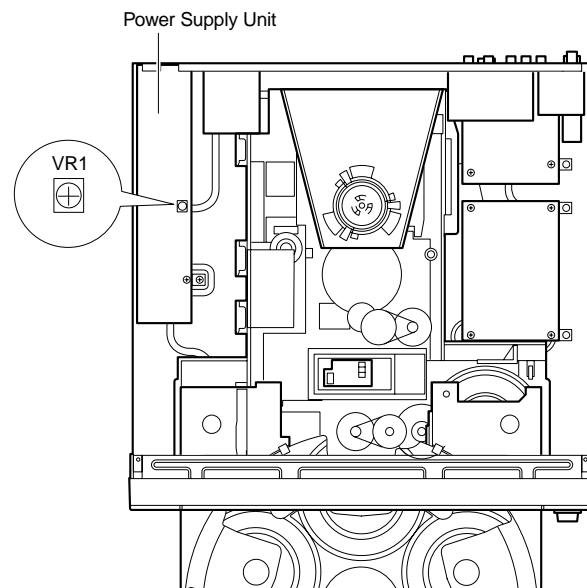
2. P.C.B. ASS'Y

None of the components of the following unit can be supplied separately. Each unit must be replaced as a whole in case of a failure.

- MONO P.C.B.
- FRONT P.C.B.
- AV P.C.B.
- XM P.C.B.
- HDMI P.C.B.
- Power Supply Unit

3. Power Supply Unit

Never touch the potentiometer (VR1) installed to the power supply unit.



DISASSEMBLY PROCEDURES

See overall ass'y for item numbers

Mounting
↕
Dismounting

Top Cover [240]

- Remove 7 screws. [250] (4 on side and 3 on rear side)
- Lift top cover from rear side to remove.

When disassembling, use the special screw driver with tip shape in figure.

Front Panel [101]

- Remove 3 cable connections. [1105][1504][CNB]
- Remove 2 screws. [260] (Bracket front to bottom frame)
- Unlock front panel from frame by releasing successively 4 snaps. (2 on the side and 2 on the bottom)

- Open tray. (See •How to manually eject the tray)
- Remove 2 screws. (Fig. 1)
- Dismount clamer ass'y. (Fig. 1)
- Solder the lands of the optical pick up. (Fig. 2)

Bracket Front

- Remove 4 screws. [252] (Bracket front to front panel)
- Remove bracket front.

FRONT (4) P.C.B. [1001 (4)]

- Open tray. (See •How to manually eject the tray)
- Remove cable connection. [1400]
- Remove 2 screws. [252] (P.C.B. to rear panel)
- Dismount P.C.B.

Power Supply Unit [1004]

- Open tray. (See •How to manually eject the tray)
- Remove 3 cable connections. [CN1][CNA][CNB]
- Remove 2 screws. [260] (P.C.B. to bottom frame)
- Release 2 spacers locking. (P.C.B. to bottom frame)
- Dismount power supply unit.

XM P.C.B. [1006]

- Open tray. (See •How to manually eject the tray)
- Remove cable connection. [1101 (XM P.C.B.)]
- Remove 2 screws. [252][260] (P.C.B. to rear panel)
- Dismount P.C.B.

HDMI P.C.B. [1008]

- Open tray. (See •How to manually eject the tray)
- Remove cable connection. [1101 (XM P.C.B.)]
- Remove 1 screw. [260] (P.C.B. to rear panel)
- Dismount P.C.B.

AV P.C.B. [1002]

- Remove 8 cable connections. [1101 (AV P.C.B.)][1102 (AV P.C.B.)][1110][1201][1401][1404][1502][1504]
- Remove 2 screws. [260] (P.C.B. to bottom frame)
- Remove 2 screws. [252] (P.C.B. to rear panel)
- Remove 2 jack screws. (P.C.B. to rear panel)
- Dismount P.C.B.

Tuner [1003]

- Remove cable connection. [1502]
- Remove 2 screws. [260] (P.C.B. to rear panel)
- Dismount tuner.

FRONT (2) P.C.B. [1001 (2)]

- Remove cable connections. [1303]
- Remove 6 screws. [252]
- Dismount P.C.B.

FRONT (1) P.C.B. [1001 (1)]

- Remove knob. [121]
- Remove nut.
- Remove cable connection. [1302 (FRONT (3) P.C.B.)]
- Remove 7 screws. [252]
- Dismount P.C.B.

DVD 5-Disc Changer Module

Tray Ass'y

- Remove stopper screws. (Fig. 4)
- Open tray ass'y. (See •How to manually eject the tray)
- Gently pull the tray ass'y out.

CM Unit

- Remove 4 cable connections. [1101 (MONO P.C.B.)][1102 (MONO P.C.B.)][1305][1404]
- Remove 5 screws. [260]
- Dismount CM unit.

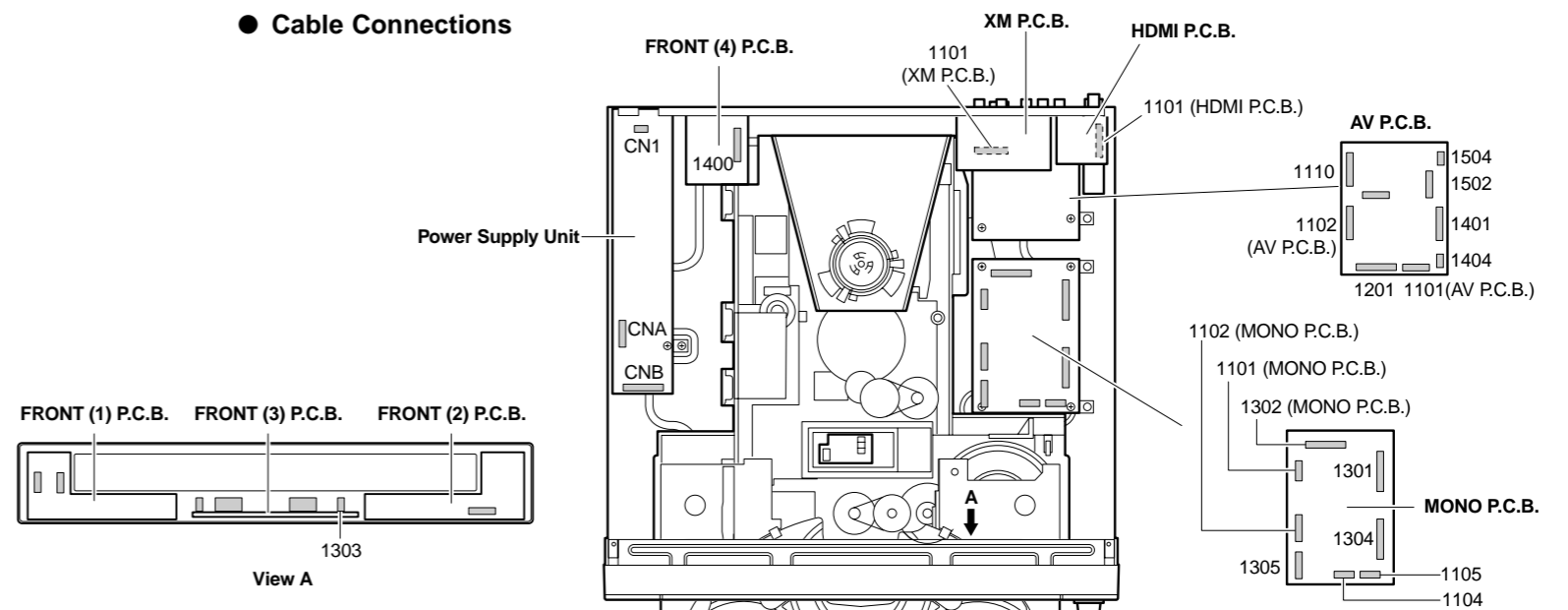
MONO P.C.B. [1007]

- Remove 8 cable connections. [1101 (MONO P.C.B.)][1102 (MONO P.C.B.)][1104][1105][1301][1302 (MONO P.C.B.)][1304][1305]
- Remove 4 screws. [260] (P.C.B. to bottom frame)
- Dismount P.C.B.

FRONT (3) P.C.B. [1001 (3)]

- Remove 2 screws. [251]
- Dismount P.C.B.

● Cable Connections



● **Preventive measure for laser diode from electrostatic breakdown**

When replacing the MONO Board or DVD 5-disc changer module, solder between lands of the optical pick up P.C.B. to protect the laser diode against electrostatic breakdown.

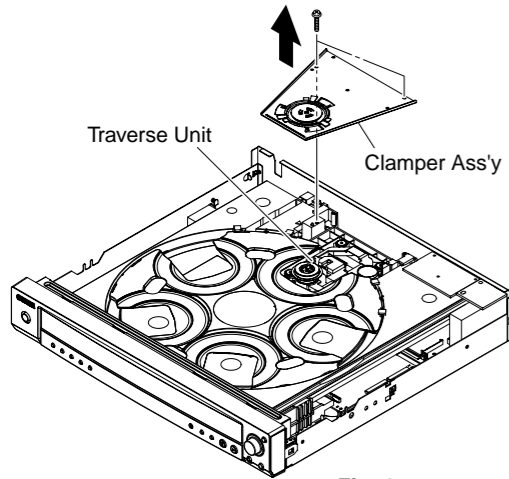


Fig. 1

Notes

- Use an anti-static soldering iron to short-circuit and unshort-circuit laser diode.
- After you have finished repairing, remove the solder from the short-circuit location.

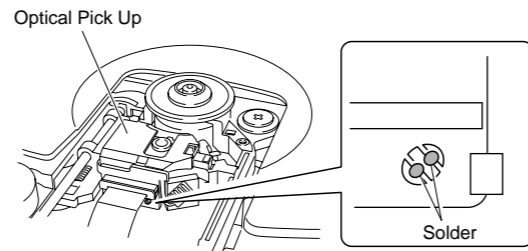


Fig. 2

● **How to manually eject the tray**

- Turn the player bottom up.
- Move the slider in the direction indicated with a screw driver until the tray is ejected.
- Gently pull the tray out.

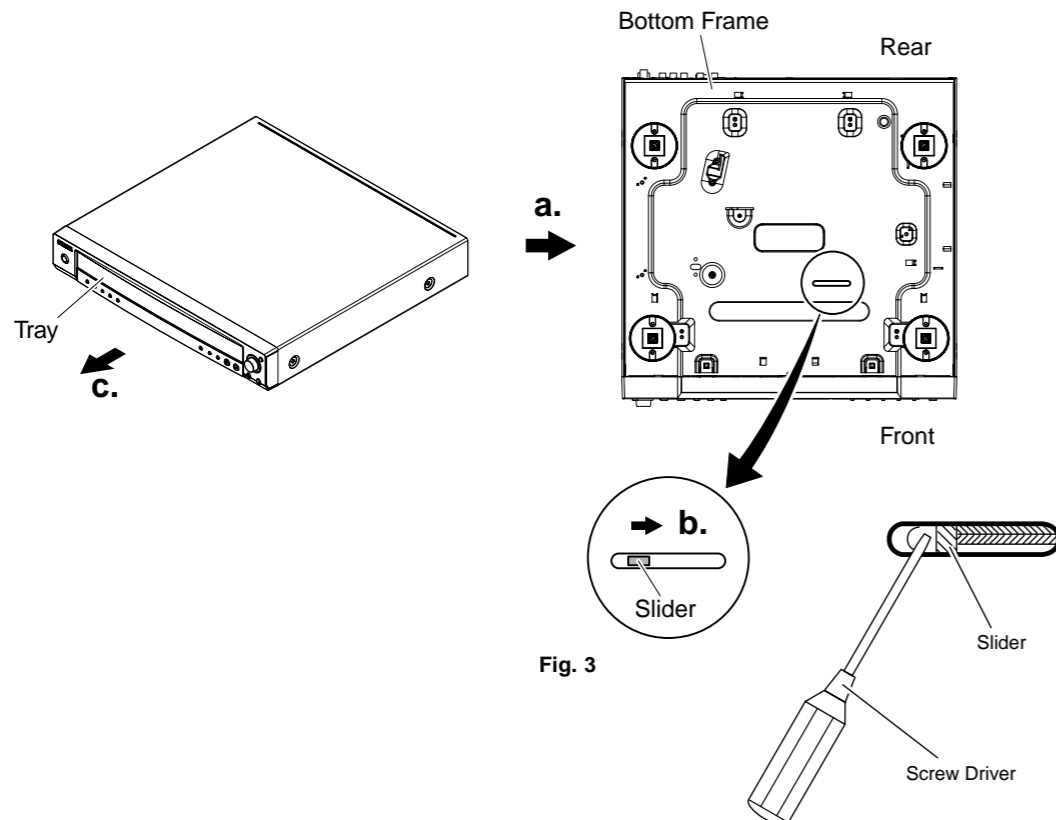


Fig. 3

1. Removal of Tray Ass'y

* *The tray ass'y cannot be supplied independently. The tray ass'y is contained in DVD 5-disc changer module and supplied as a DVD 5-disc changer module.*

- Remove the top cover.
- Open Tray (see How to manually eject the tray).
- Remove 1 screw (①).
- Remove the tray ass'y.

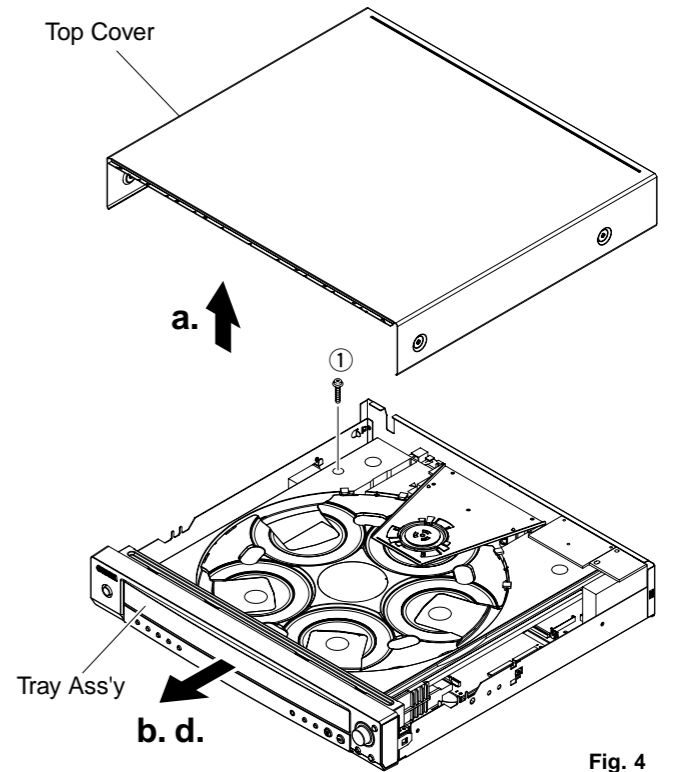


Fig. 4

● **Precaution for installation of the tray ass'y.**

On tray ass'y setting. Check the direction of marking "▲" on gear according to this drawing.

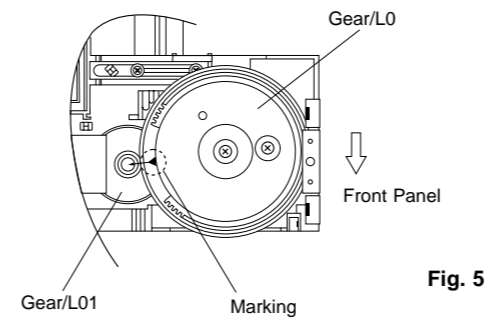


Fig. 5

2. Removal of Table

* *The table cannot be supplied independently. The table is contained in DVD 5-disc changer module and supplied as a DVD 5-disc changer module.*

- Remove the plate/table in Fig. 6.
- Remove 1 screw (②) and then take off the table in Fig. 6.

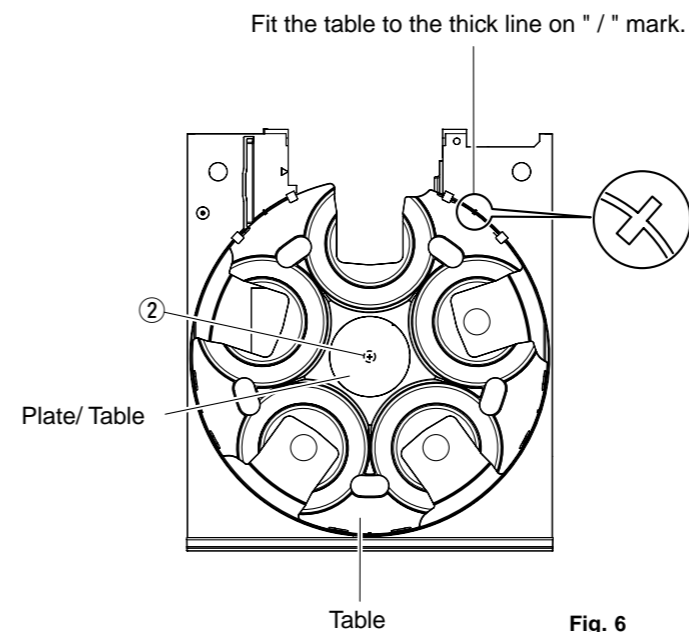


Fig. 6

IMPORTANT: Installation of Table.

Install the table according to the following procedure.

- 1) Slide the lever so that the gear/RT becomes free. (Fig.7)
- 2) With the "▲" mark on the gear/RT aligned with the same mark on the tray, lock it with the lever. (Fig.7)
- 3) Install the table by aligning it to the thick line on " / " mark. (Fig.6)

*Check that the table is locked after installation.

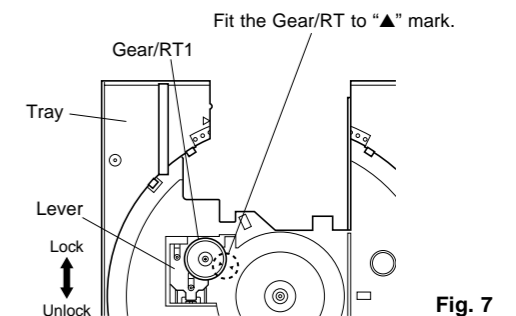
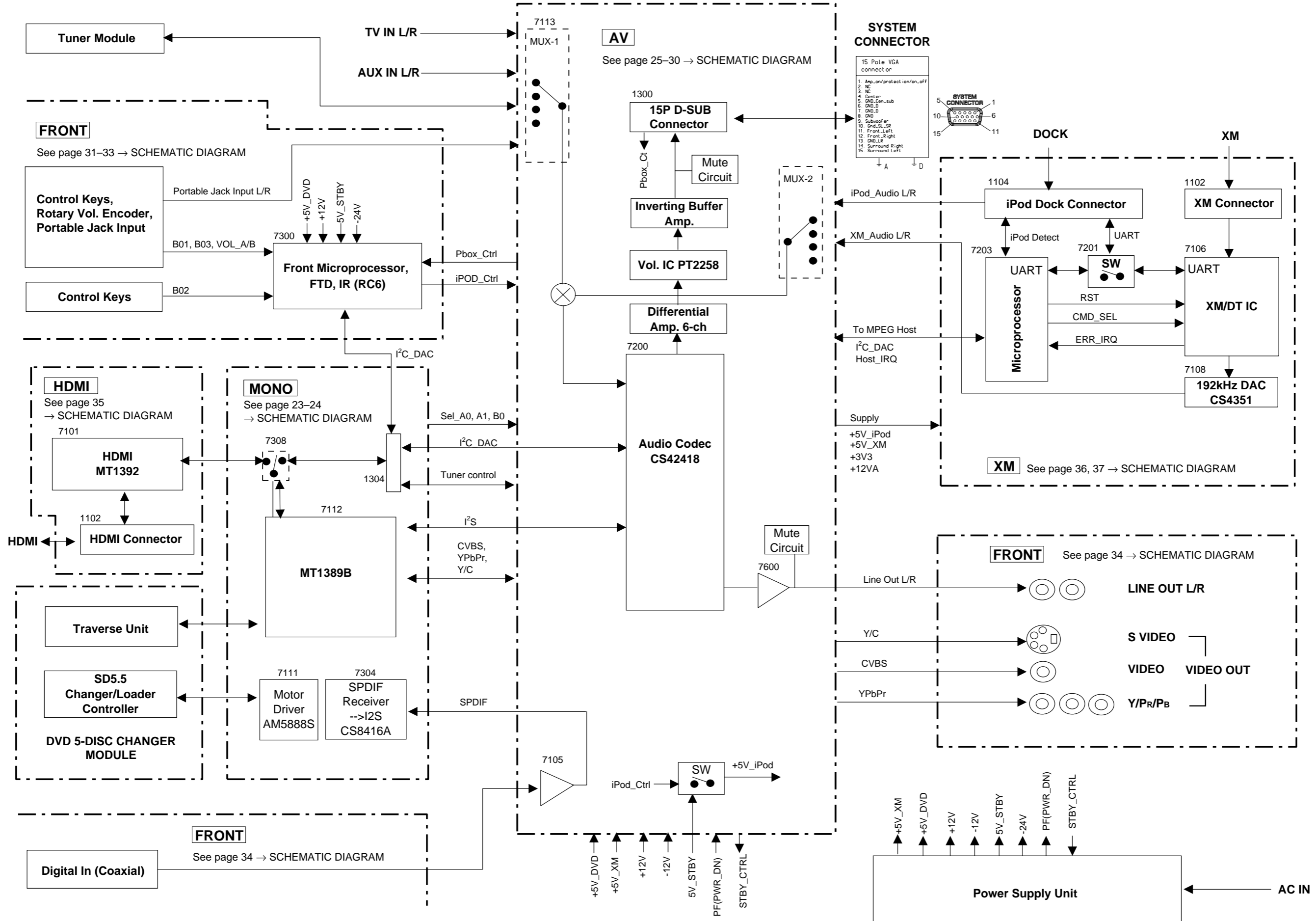


Fig. 7

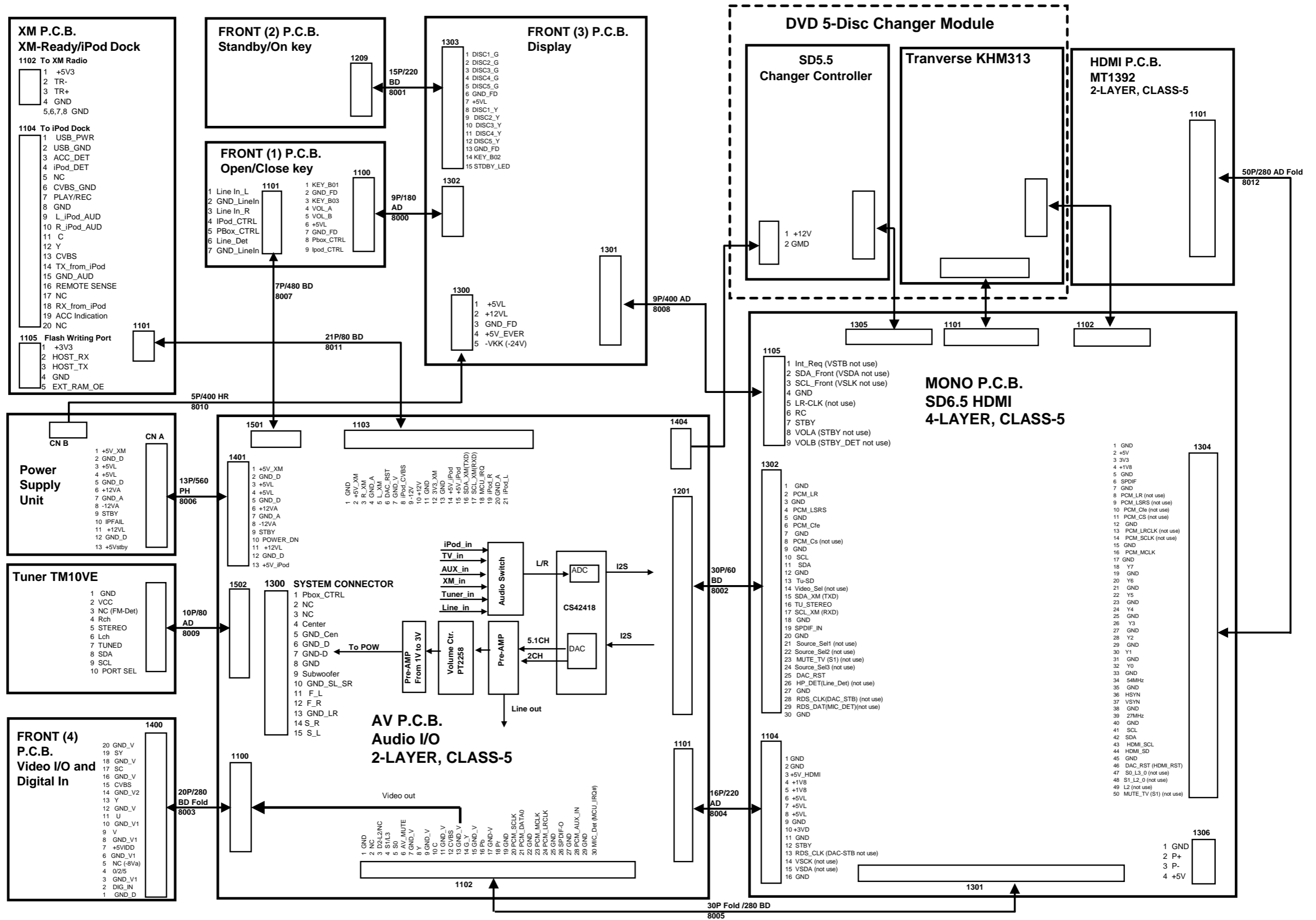
MEMO

■ BLOCK DIAGRAM



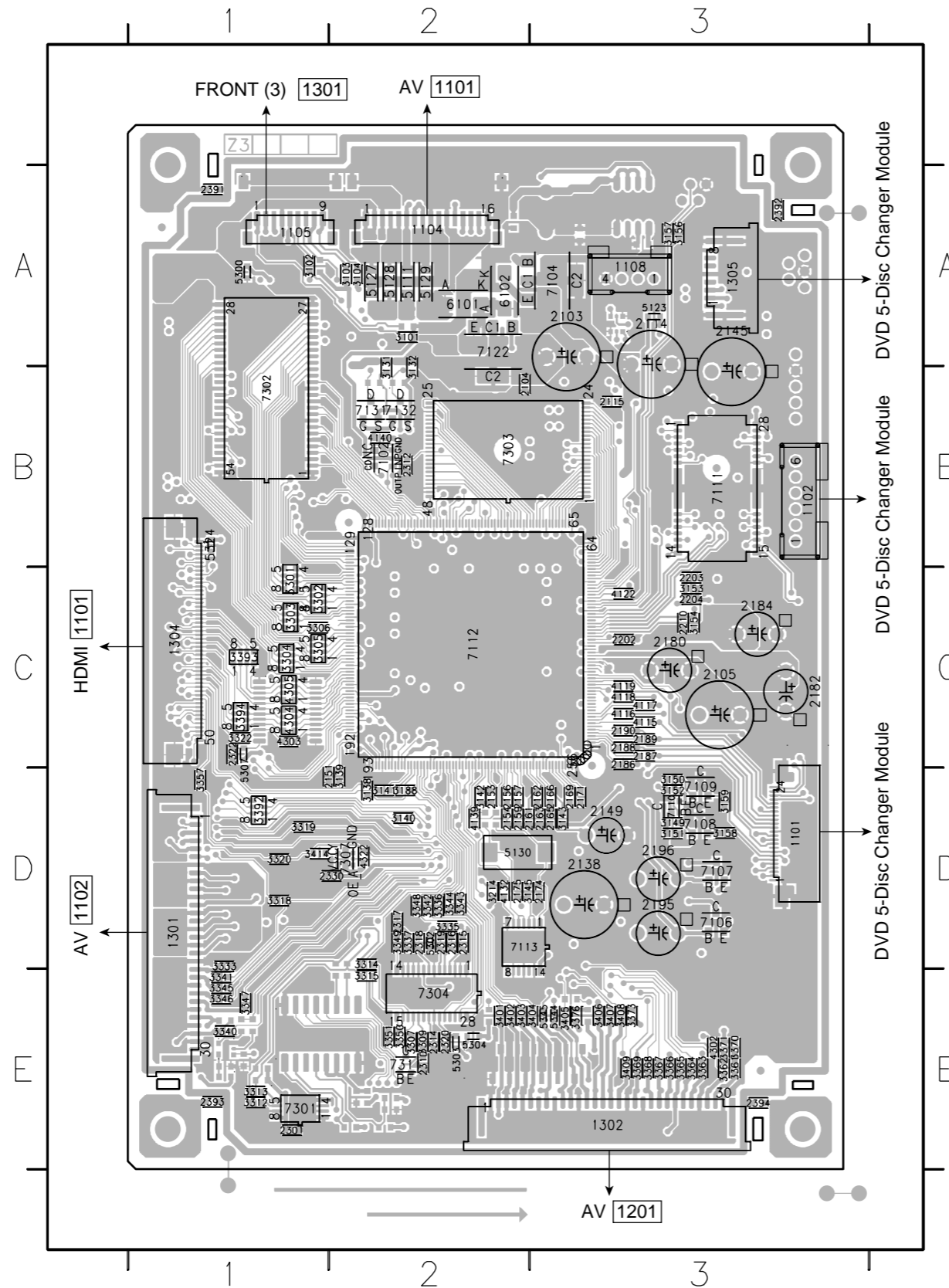
WIRING DIAGRAM

A
B
C
D
E
F



■ PRINTED CIRCUIT BOARDS
FOR INFORMATION ONLY (NO REPLACEMENT PARTS WILL BE AVAILABLE)

MONO Top View

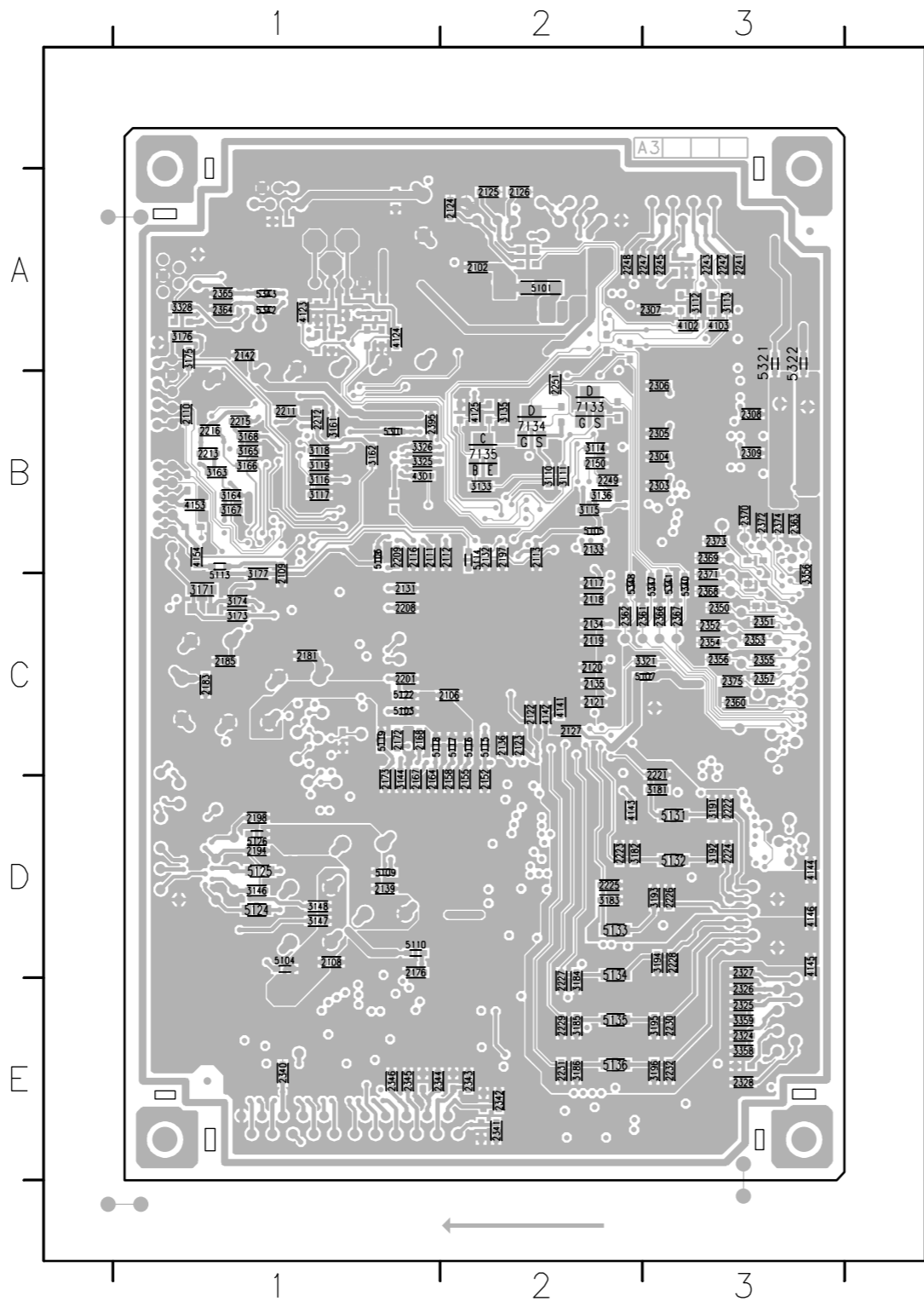


The first digit of a component indicates the component type.

- 1xxx : Connector 3xxx : Resistor 5xxx : Coil 7xxx : IC, Transistor, FET
- 2xxx : Capacitor 4xxx : SMD jumper 6xxx : Diode 9xxx : Wire jumper

1101	D3	3101	A2	3368	E3	7112	C2
1102	B3	3102	A1	3369	E3	7113	D2
1103	B3	3103	A2	3370	E3		
1104	A2	3104	A2	3371	E3	7122	A2
1105	A1	3131	B2	3373	E3	7131	B2
1108	A3	3132	B2	3376	E3	7132	B2
		3138	D2	3392	D1	7301	E1
		3139	D2	3393	C1	7302	B1
		3140	D2	3394	C1	7303	B2
1301	D1	3141	D2	3401	E2	7304	E2
1302	E3	3142	D2	3402	E2		
		3143	D3	3403	E2	7307	D2
1304	C1	3145	D2	3404	E3	7308	C1
1305	A3	3149	D3	3405	E3		
		3150	D3	3406	E3	7311	E2
2103	A3	3151	D3	3407	E3		
2104	B2	3152	D3	3408	E3		
2105	C3	3153	C3	3409	E3		
2114	A3	3154	C3				
2115	B3	3156	A3				
2138	D3	3157	A3				
2145	A3	3158	D3	3414	D1		
2149	D3	3159	D3				
2151	D1	3188	D2	4115	C3		
2153	D2			4116	C3		
2154	D2	3214	D2	4117	C3		
2156	D2	3301	C1	4118	C3		
2157	D2	3302	C1	4119	C3		
2159	D2	3303	C1	4122	C3		
2161	D2	3304	C1	4132	D2		
2162	D3	3305	C1				
2163	D3	3306	C1				
2165	D3	3307	E2				
2166	D3	3309	E2				
2169	D3			4139	D2		
2171	D3			4140	B2		
2174	D2	3312	F1	4302	F3		
2175	D2	3313	F1	4303	C1		
2180	C3	3314	D2	4304	C1		
2182	C3	3315	F2	4305	C1		
2184	C3						
2186	C3						
2187	C3						
2188	C3	3318	D1				
2189	C3	3319	D1				
2190	C3	3320	D1				
2195	D3	3322	C1	4322	D2		
2196	D3	3333	D1	5111	A2		
2202	C3	3335	D2	5123	A3		
2203	C3	3336	D2	5127	A2		
2204	C3	3337	D2	5128	A2		
2210	C3			5129	A2		
2301	F1	3340	F1	5130	D2		
2310	F2	3341	F1	5300	A1		
2312	B2	3342	D2	5302	D2		
		3343	D2	5303	F2		
		3344	D2	5304	F2		
2314	F2	3345	F1				
2315	D2	3346	F1	5307	D1		
2316	D2	3347	F1				
2317	D2	3348	D2	5324	B1		
2318	D2	3349	D2	5344	F3		
2319	D2	3350	F2	5345	F3		
2320	F2	3351	F2				
2322	C1			6101	A2		
				6102	A2		
2330	D2	3357	D1	7102	B2		
		3361	F3	7104	A3		
2391	A1	3362	F3	7106	D3		
2392	A3	3363	F3	7107	D3		
2393	E1	3364	F3	7108	D3		
2394	E3	3365	F3	7109	D3		
		3366	F3	7110	D3		
		3367	F3	7111	B3		

MONO Bottom View



The first digit of a component indicates the component type.

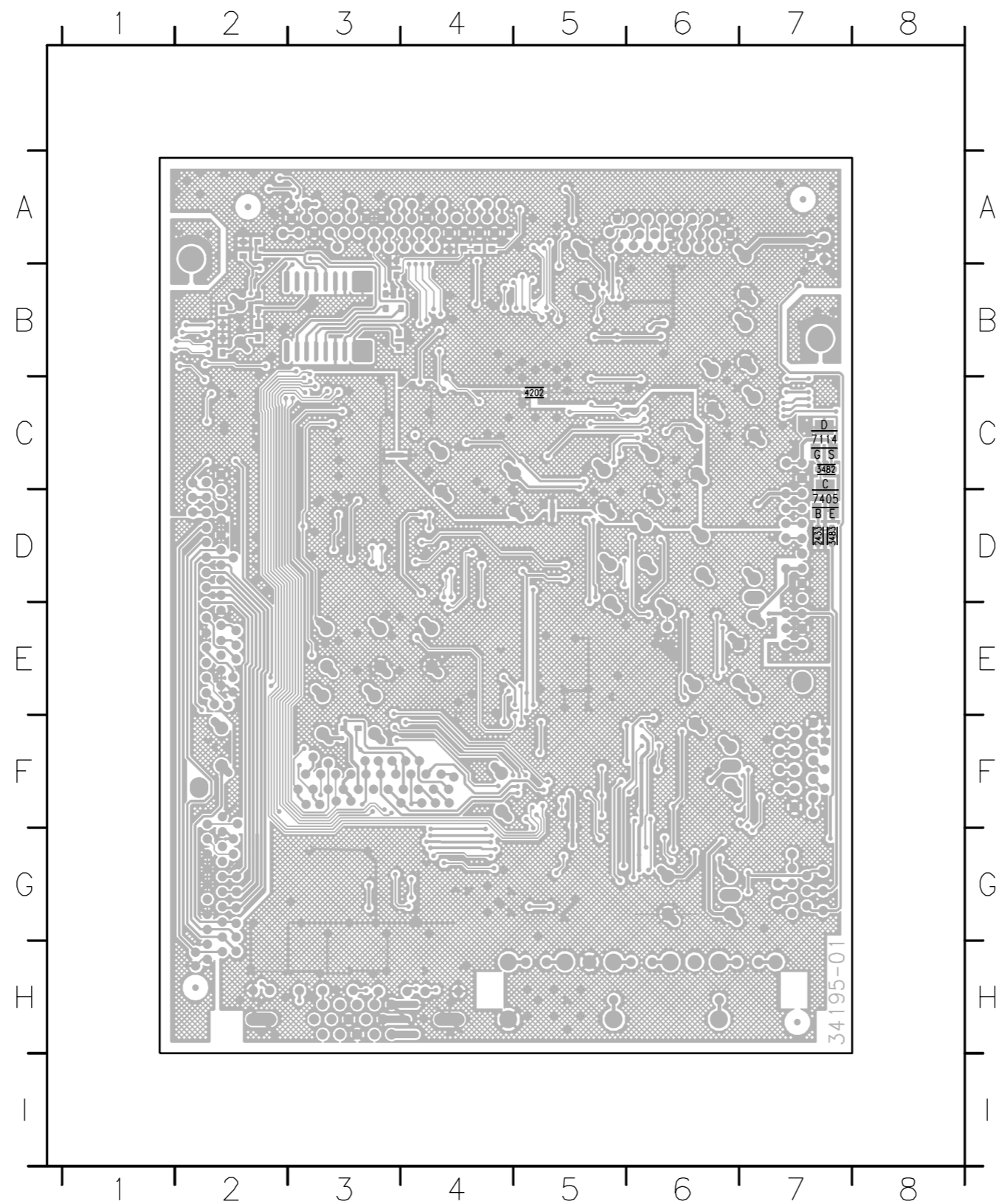
- 1xxx : Connector 3xxx : Resistor 5xxx : Coil 7xxx : IC, Transistor, FET
- 2xxx : Capacitor 4xxx : SMD jumper 6xxx : Diode 9xxx : Wire jumper

2102	A2		3164	B1	5104	D1	
2106	C2	2251	B2	3165	B1	5105	B2
2108	D1	2303	B3	3166	B1	5106	B1
2109	C1	2304	B3	3167	B1	5107	C3
2110	B1	2305	B3	3168	B1	5109	D1
2111	B1	2306	B3	3171	C1	5110	D1
2112	B2	2307	A3			5113	C1
2113	B2	2308	B3	3173	C1	5114	B2
2116	B1	2309	B3	3174	C1	5115	C2
2117	C2	2324	E3	3175	A1	5116	C2
2118	C2	2325	E3	3176	A1	5117	C2
2119	C2	2326	E3	3177	C1	5118	C1
2120	C2	2327	D3	3181	D3	5119	C1
2121	C2	2328	E3	3182	D2	5122	C1
2122	C2			3183	D2	5124	D1
2123	C2	2340	E1	3184	E2	5125	D1
2124	A2	2341	E2	3185	E2	5126	D1
2125	A2	2342	E2	3186	E2	5131	D3
2126	A2	2343	E2	3191	D3	5132	D3
2127	C2	2344	E1	3192	D3	5133	D2
2131	C1	2345	E1	3193	D3	5134	D2
2132	B2	2346	E1	3194	D3	5135	E2
2133	B2	2350	C3	3195	E3	5136	E2
2134	C2	2351	C3	3196	E3	5301	B1
2135	C2	2352	C3			5321	A3
2136	C2	2353	C3			5322	A3
2139	D1	2354	C3			5340	C3
2142	A1	2355	C3			5341	C3
2150	B2	2356	C3			5342	A1
2152	D2	2357	C3			5343	A1
2155	D2	2360	C3			5347	C3
2158	D2	2361	C3			5348	C2
2164	D1	2362	C2			7133	B2
2167	D1	2363	B3			7134	B2
2168	C1	2364	A1	3321	C3	7135	B2
2172	C1	2365	A1	3323	C3		
2173	D1	2366	C3	3324	C3		
2176	D1	2367	C3	3325	B1		
2181	C1	2368	C3	3326	B1		
2183	C1	2369	B3	3327	B3		
2185	C1	2370	B3	3328	A1		
		2371	C3				
2194	D1	2372	B3	3356	C3		
2197	B2	2373	B3	3358	E3		
2198	D1	2374	B3	3359	E3		
2201	C1	2375	C3				
2208	C1	2395	B1				
2209	B1						
2211	B1						
2212	B1	3105	A3	4102	A3		
2213	B1	3106	A3	4103	A3		
2215	B1			4123	A1		
2216	B1			4124	A1		
2221	C3			4125	B2		
2222	D3	3110	B2				
2223	D2	3111	B2				
2224	D3	3112	A3				
2225	D2	3113	A3				
2226	D3	3114	B2	4141	C2		
2227	E2	3115	B2	4142	C2		
2228	D3	3116	B1	4143	D2		
2229	E2	3117	B1	4144	D3		
2230	E3	3118	B1	4145	D3		
2231	E2	3119	B1	4146	D3		
2232	E3	3133	B2				
2241	A3	3135	B2				
2242	A3	3136	B2	4153	B1		
2243	A3	3144	D1	4154	B1		
		3146	D1	4301	B1		
		3147	D1				
2245	A3	3148	D1				
2247	A3	3161	B1				
2248	A2	3162	B1	5101	A2		
2249	B2	3163	B1	5103	C1		

The first digit of a component indicates the component type.

1xxx : Connector 3xxx : Resistor 5xxx : Coil 7xxx : IC, Transistor, FET
 2xxx : Capacitor 4xxx : SMD jumper 6xxx : Diode 9xxx : Wire jumper

AV Bottom View



2433 D7

3482 C7
~~3483~~ D7

4202 C5
 7114 C7

7405 D7

D
 7114
 G S
 3482
 C
 7405
 B E
 2433
 D7

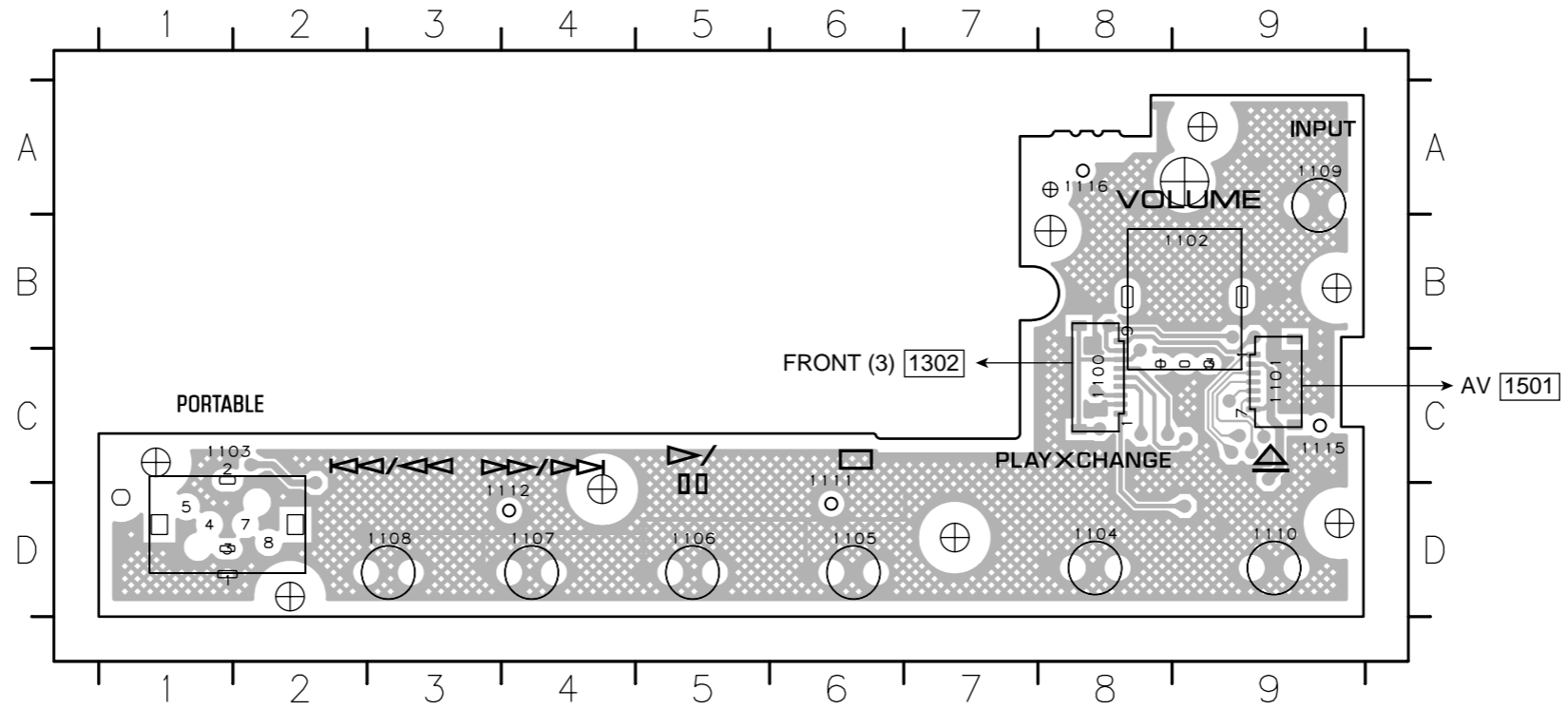
34195-01

The first digit of a component indicates the component type.

1xxx : Connector 3xxx : Resistor 5xxx : Coil 7xxx : IC, Transistor, FET
 2xxx : Capacitor 4xxx : SMD jumper 6xxx : Diode 9xxx : Wire jumper

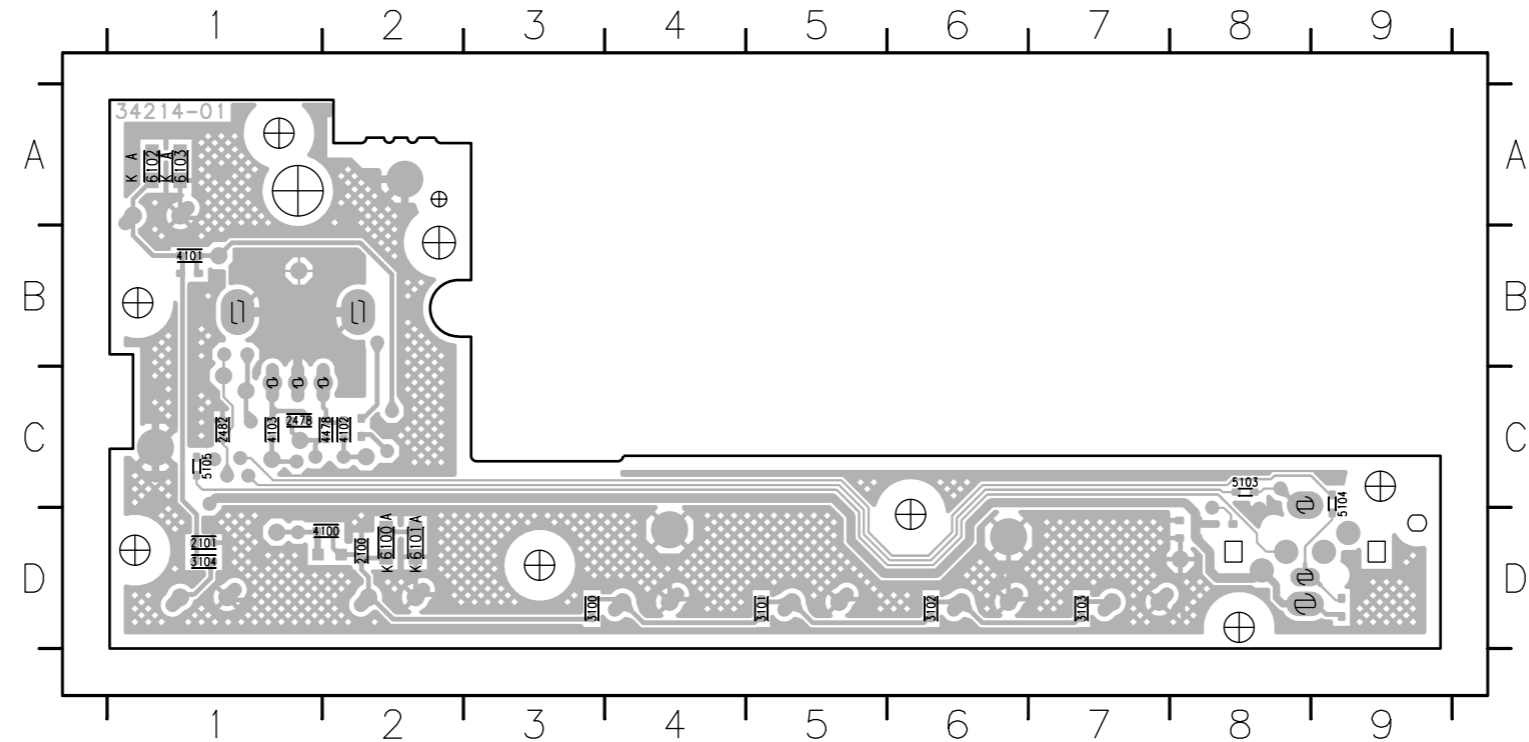
1100 C8 1102 B9 1104 D8 1106 D5 1108 D3 1110 D9 1112 D4 1115 C9 1116 A8

Front (1) Top View



2100 D2 2478 C1 2482 C1 3100 D3 3101 D5 3102 D6 3103 D7 3104 D1 4100 D2 4101 B1 4102 C2 4478 C2 5103 C8 5104 C9 5105 C1 6100 D2 6101 D2 6102 A1 6103 A1

Front (1) Bottom View

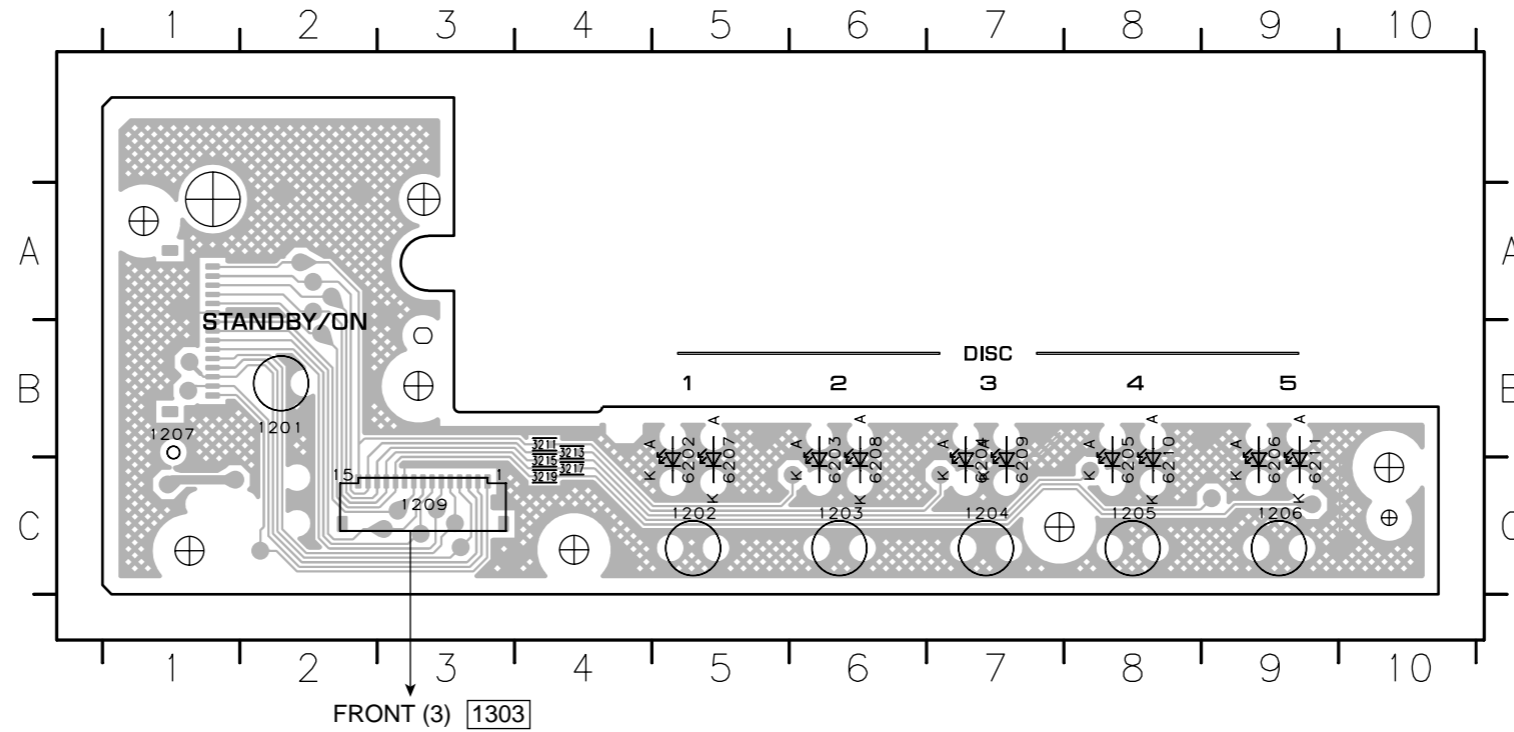


The first digit of a component indicates the component type.

1xxx : Connector 3xxx : Resistor 5xxx : Coil 7xxx : IC, Transistor, FET
 2xxx : Capacitor 4xxx : SMD jumper 6xxx : Diode 9xxx : Wire jumper

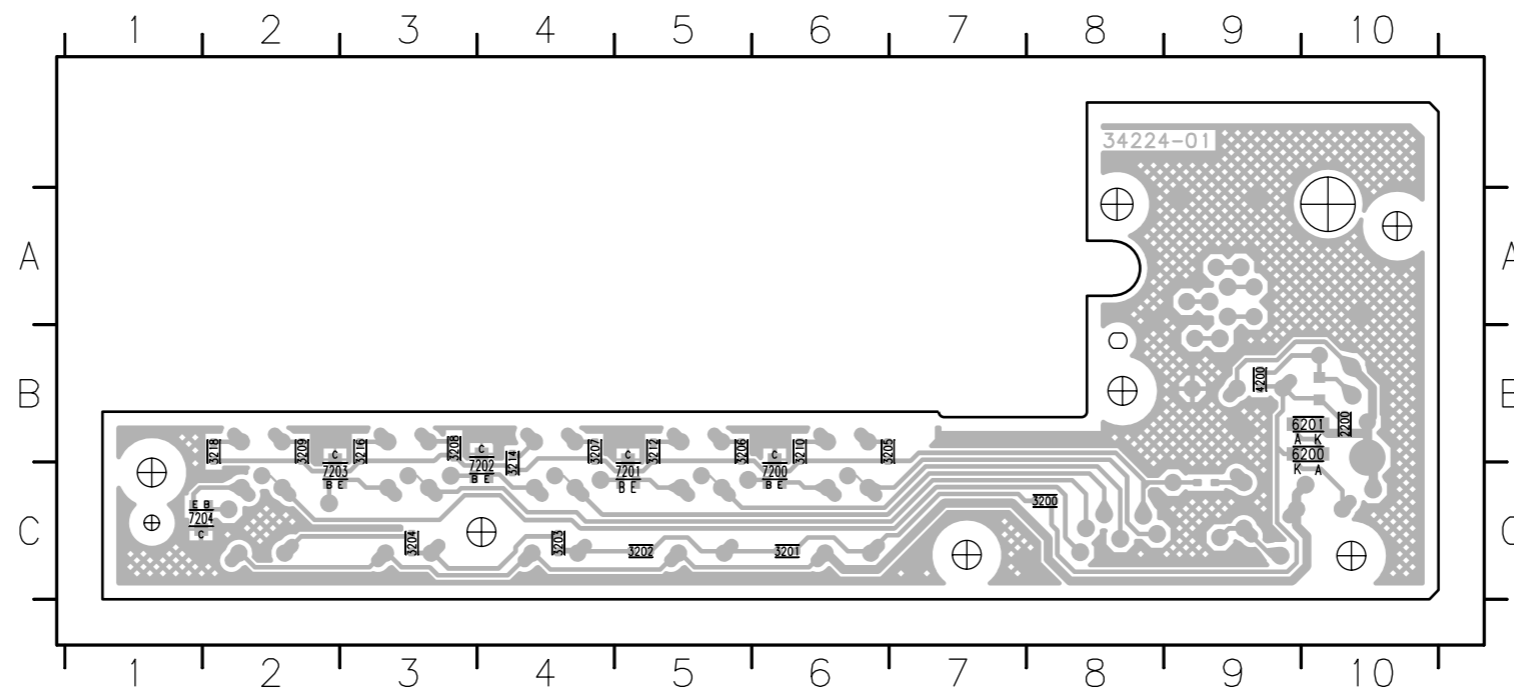
1201 B2 1203 C6 1206 C9 1209 C3 3215 C4 6202 C5 6205 C8 6208 C6 6211 C9
 1202 C5 1204 C7 1207 B1 3211 B4 3217 C4 6203 C6 6206 C9 6209 C7
 3213 B4 3219 C4 6204 C7 6207 C5 6210 C8

Front (2) Top View



2200 B10 3202 C5 3205 B6 3208 B3 3212 B5 3218 B2 6200 B10 7200 C6 7203 C2
 3200 C8 3203 C4 3206 B5 3209 B2 3214 C4 4200 B9 6201 B10 7201 C5 7204 C1
 3201 C6 3204 C3 3207 B4 3210 B6 3216 B3

Front (2) Bottom View

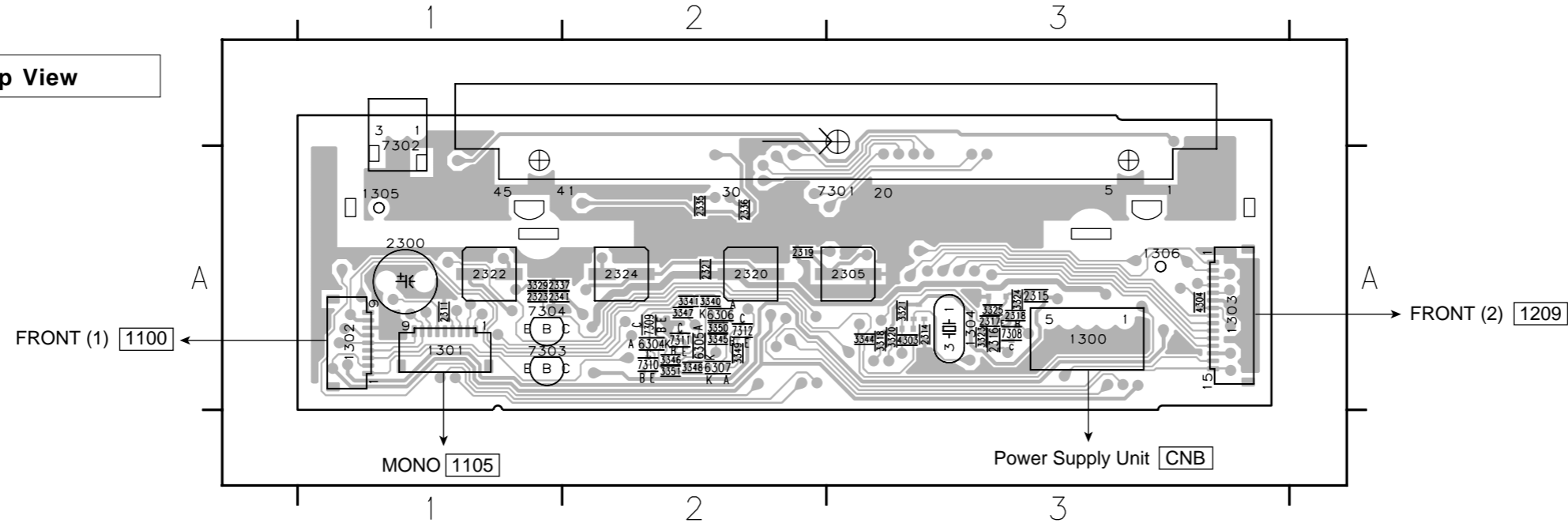


The first digit of a component indicates the component type.

1xxx : Connector 3xxx : Resistor 5xxx : Coil 7xxx : IC, Transistor, FET
 2xxx : Capacitor 4xxx : SMD jumper 6xxx : Diode 9xxx : Wire jumper

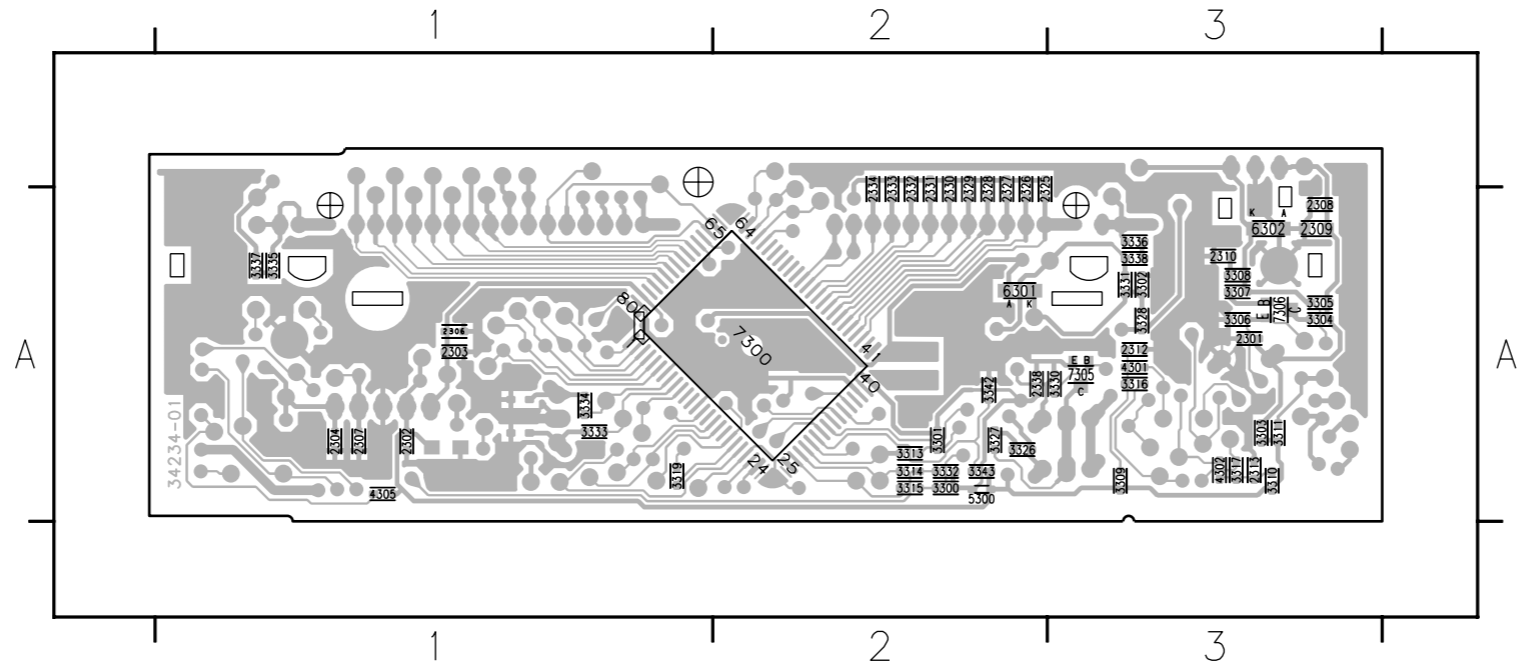
1300	A3	1306	A3	2316	A3	2322	A1	2341	A1	3324	A3	3345	A2	3351	A2	6306	A2		
1301	A1	2300	A1	2317	A3	2323	A1	3318	A3	3325	A3	3346	A2	3352	A3	6307	A2	7308	A3
1302	A1	2305	A3	2318	A3	2324	A2	3320	A3	3329	A1	3347	A2	3353	A3	7301	A3	7309	A2
1303	A3	2311	A1	2319	A2	2325	A2	3321	A3	3340	A2	3348	A2	3354	A2	7302	A1	7310	A2
1304	A3	2314	A3	2320	A2	2326	A2	3322	A3	3341	A2	3349	A2	3355	A2	7303	A1	7311	A2
1305	A1	2315	A3	2321	A2	2327	A1	3323	A3	3344	A3	3350	A2	6304	A2	7304	A1	7312	A2

Front (3) Top View



2301	A3	2308	A3	2326	A2	2332	A2	3300	A2	3306	A3	3313	A2	3326	A2	3333	A1	3342	A2	6301	A2
2302	A1	2309	A3	2327	A2	2333	A2	3301	A3	3307	A3	3314	A2	3327	A2	3334	A1	3343	A2	6302	A3
2303	A1	2310	A3	2328	A2	2334	A2	3302	A3	3308	A3	3315	A2	3328	A2	3335	A1	3344	A2	6303	A3
2304	A1	2312	A3	2329	A2	2335	A2	3303	A3	3309	A3	3316	A2	3329	A2	3336	A1	3345	A2	6304	A3
2306	A1	2313	A3	2330	A2	2336	A2	3304	A3	3310	A3	3317	A2	3330	A2	3337	A1	3346	A2	7300	A2
2307	A1	2325	A2	2331	A2			3305	A3	3311	A3	3318	A1	3331	A2	3338	A3	5300	A2	7305	A3

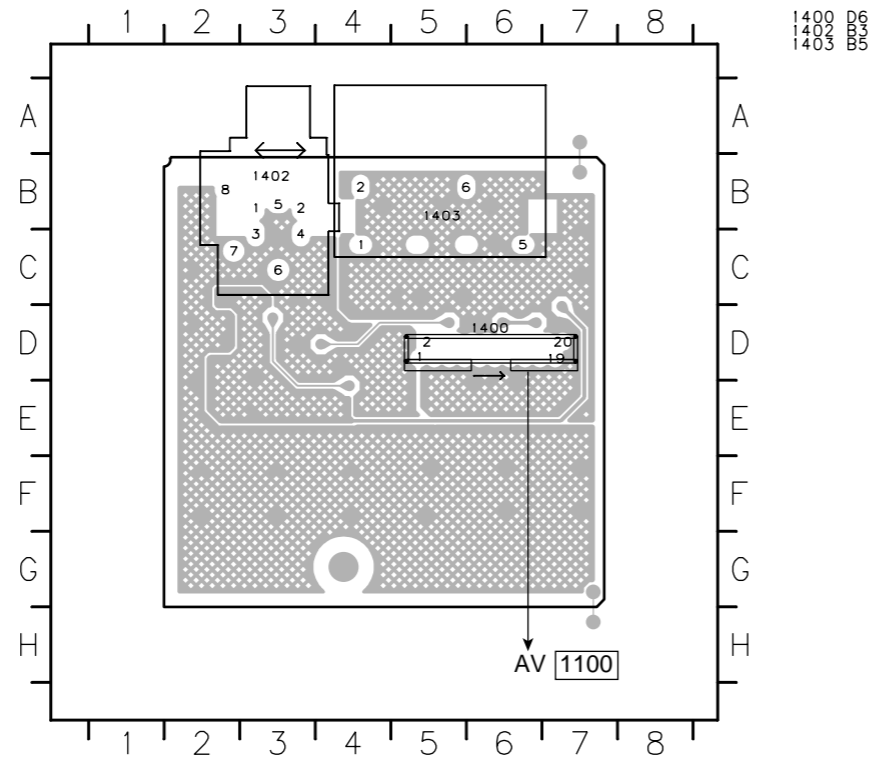
Front (3) Bottom View



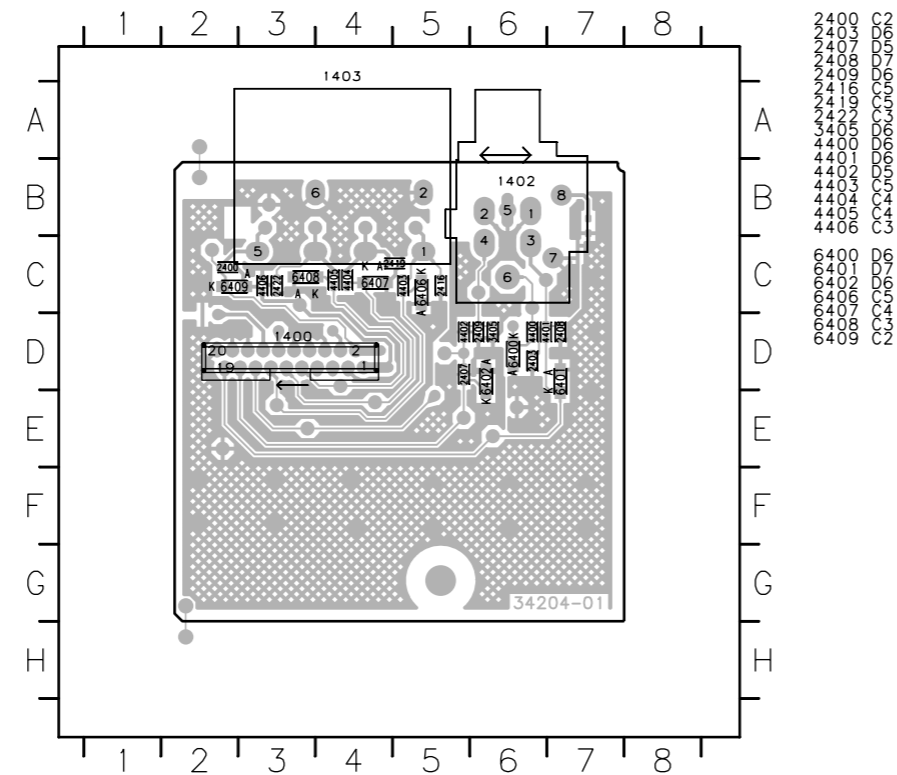
The first digit of a component indicates the component type.

1xxx : Connector 3xxx : Resistor 5xxx : Coil 7xxx : IC, Transistor, FET
 2xxx : Capacitor 4xxx : SMD jumper 6xxx : Diode 9xxx : Wire jumper

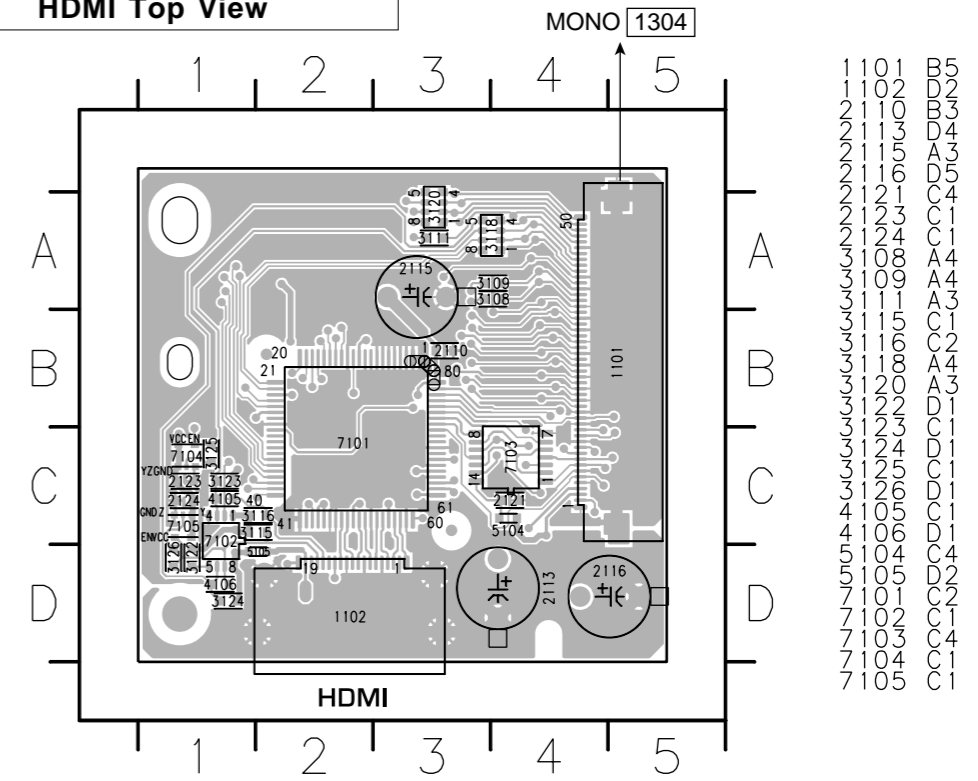
Front (4) Top View



Front (4) Bottom View

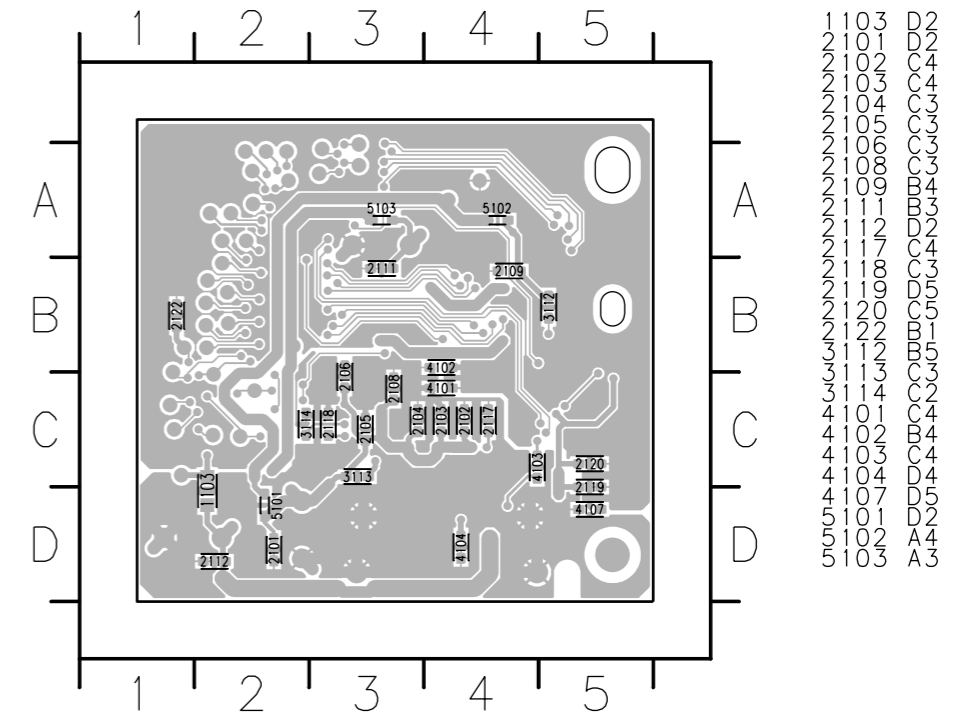


HDMI Top View



1101 B5
 1102 B3
 1103 D4
 1104 A3
 1105 C4
 1201 C1
 1202 A4
 1203 A3
 1204 C1
 1205 A4
 1301 C2
 1302 A3
 1303 D1
 1304 C1
 1401 D1
 1402 D1
 1403 C1
 1404 D1
 1405 D1
 1406 C4
 1407 D2
 1408 C2
 1409 C1
 1410 C4
 1411 C1
 1412 C1
 1413 C1
 1414 C1
 1415 C1
 1416 C1

HDMI Bottom View



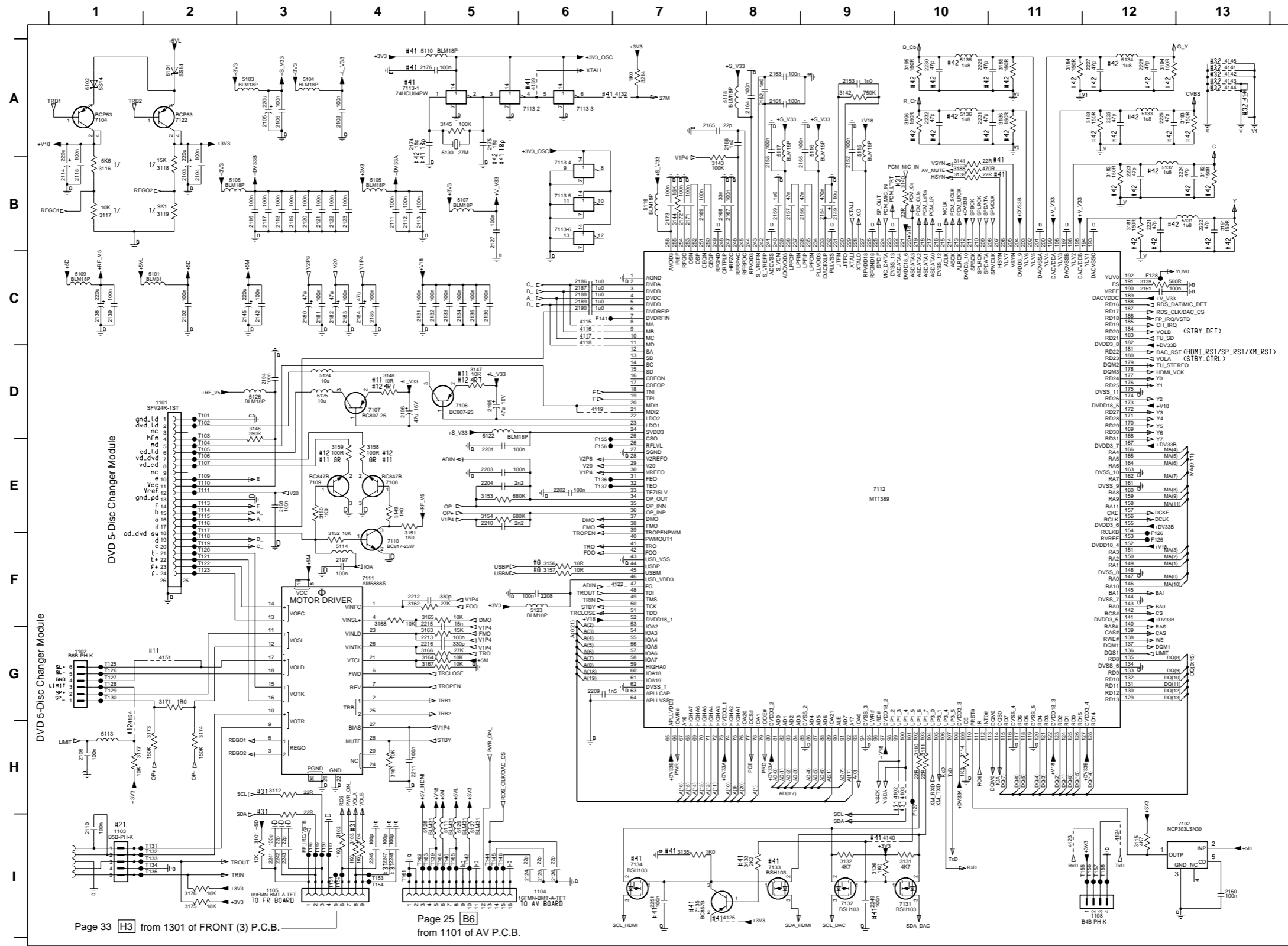
1101 D2
 1102 D2
 1103 D2
 1104 C4
 1105 D2
 1201 C1
 1202 C1
 1203 C1
 1204 C1
 1205 C1
 1301 C1
 1302 C1
 1303 C1
 1304 C1
 1401 C1
 1402 C1
 1403 C1
 1404 C1
 1405 C1
 1406 C1
 1407 C1
 1408 C1
 1409 C1
 1410 C1
 1411 C1
 1412 C1
 1413 C1
 1414 C1
 1415 C1
 1416 C1
 1417 C1
 1418 C1
 1419 C1
 1420 C1

SCHEMATIC DIAGRAMS FOR INFORMATION ONLY (NO REPLACEMENT PARTS WILL BE AVAILABLE)

MONO (1/2)

The first digit of a component type.

- 1xxx : Connector 3xxx : Resistor 5xxx : Coil 7xxx : IC, Transistor, FET
2xxx : Capacitor 4xxx : SMD jumper 6xxx : Diode 9xxx : Wire jumper



- #0 PROVISION #11 DM3121A #21 WXD-8829 #31 RECEIVERS #41 DIGITAL VIDEO
#12 KHM313 / KHM310 #22 DLM-1D #32 PLAYERS #42 ANALOG VIDEO
#23 5CDC

- 1101 D2 2248 I4 T158 H12
1102 G1 2249 I9 4153 G2 T161 I4
1103 I1 4154 G1 T162 I4
1104 I6 2251 I7 5101 C2 T163 I5
1105 I3 3101 I3 5103 A3 T164 I5
1106 H12 3102 I4 5104 A3 T165 I5
3103 I4 5105 B4
3104 I4 5106 B2
5107 B5
5109 C1
5110 A5
5111 I5
5113 H1
5114 F4
5115 A9
5116 A9
5117 A8
5118 A8
5119 B7
5121 D5
5122 D5
5123 F6
5124 D3
5125 D3
5126 D3
5127 B5
5128 I5
5129 I5
5130 A5
5131 B13
5132 B13
5133 B8
5134 I2
5135 I2
5136 I2
5137 A4
5138 A10
5139 A10
5140 A2
5141 A1
5142 D3
5143 D1
5144 A1
5145 A5
5146 D1
5147 D3
5148 A1
5149 A1
5150 E3
5151 E4
5152 F4
5153 E4
5154 E4
5155 E4
5156 F4
5157 F4
5158 A4
5159 E4
5160 A6
5161 A4
5162 F4
5163 B6
5164 G5
5165 F5
5166 G5
5167 G5
5168 F4
5169 G2
5170 I7
5171 H2
5172 F12
5173 H10
5174 H10
5175 H11
5176 H11
5177 H11
5178 H11
5179 H11
5180 H11
5181 H11
5182 H11
5183 H11
5184 H11
5185 H11
5186 H11
5187 H11
5188 H11
5189 H11
5190 H11
5191 H11
5192 H11
5193 H11
5194 H11
5195 H11
5196 H11
5197 H11
5198 H11
5199 H11
5200 H11
5201 E6 3214 A7 T125 G1
5202 E6 4102 H10 T127 G1
5203 E5 4103 H10 T128 G1
5204 E6 4115 C6 T129 G1
5205 G6 4116 C6 T130 G1
5206 E5 4117 C6 T131 I2
5207 H4 4118 C6 T132 I2
5208 F4 4119 D6 T133 I2
5209 G5 4122 F7 T134 I2
5210 F5 4123 H1 T135 I2
5211 G5 4124 H2 T136 E6
5212 B12 4125 I8 T137 E6
5213 B13 4132 A7 T140 I5
5214 B12 4132 A7 T141 I5
5215 A12 4132 A7 T142 I5
5216 A12 4132 A7 T143 I5
5217 A12 4132 A7 T144 I5
5218 A12 4132 A7 T145 I5
5219 A10 4139 A6 T148 I3
5220 A10 4140 I9 T150 I3
5221 A10 4141 A13 T151 I3
5222 I3 4142 A13 T152 I4
5223 I3 4143 A13 T153 I4
5224 I3 4144 A13 T154 I4
5225 I3 4145 A13 T155 I11
5226 I4 4146 A13 T156 I12

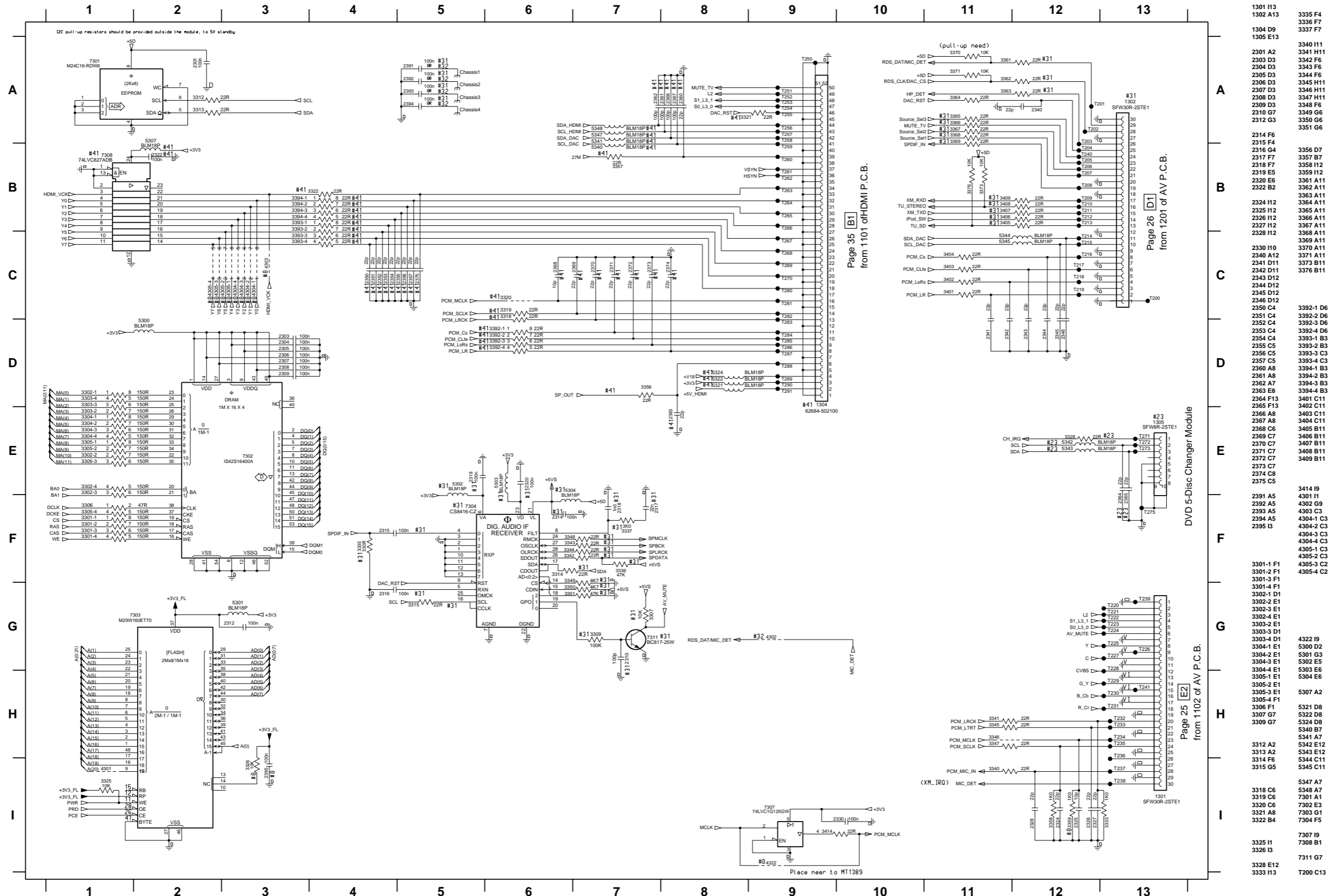
Page 33 [H3] from 1301 of FRONT (3) P.C.B. Page 25 [B6] from 1101 of AV P.C.B.

* Components having special characteristics are marked with a triangle symbol and must be replaced with parts having specifications equal to those originally installed.
*Schematic diagram is subject to change without notice.

MONO (2/2)

The first digit of a component indicates the component type.

1xxx : Connector 3xxx : Resistor 5xxx : Coil 7xxx : IC, Transistor, FET
 2xxx : Capacitor 4xxx : SMD jumper 6xxx : Diode 9xxx : Wire jumper

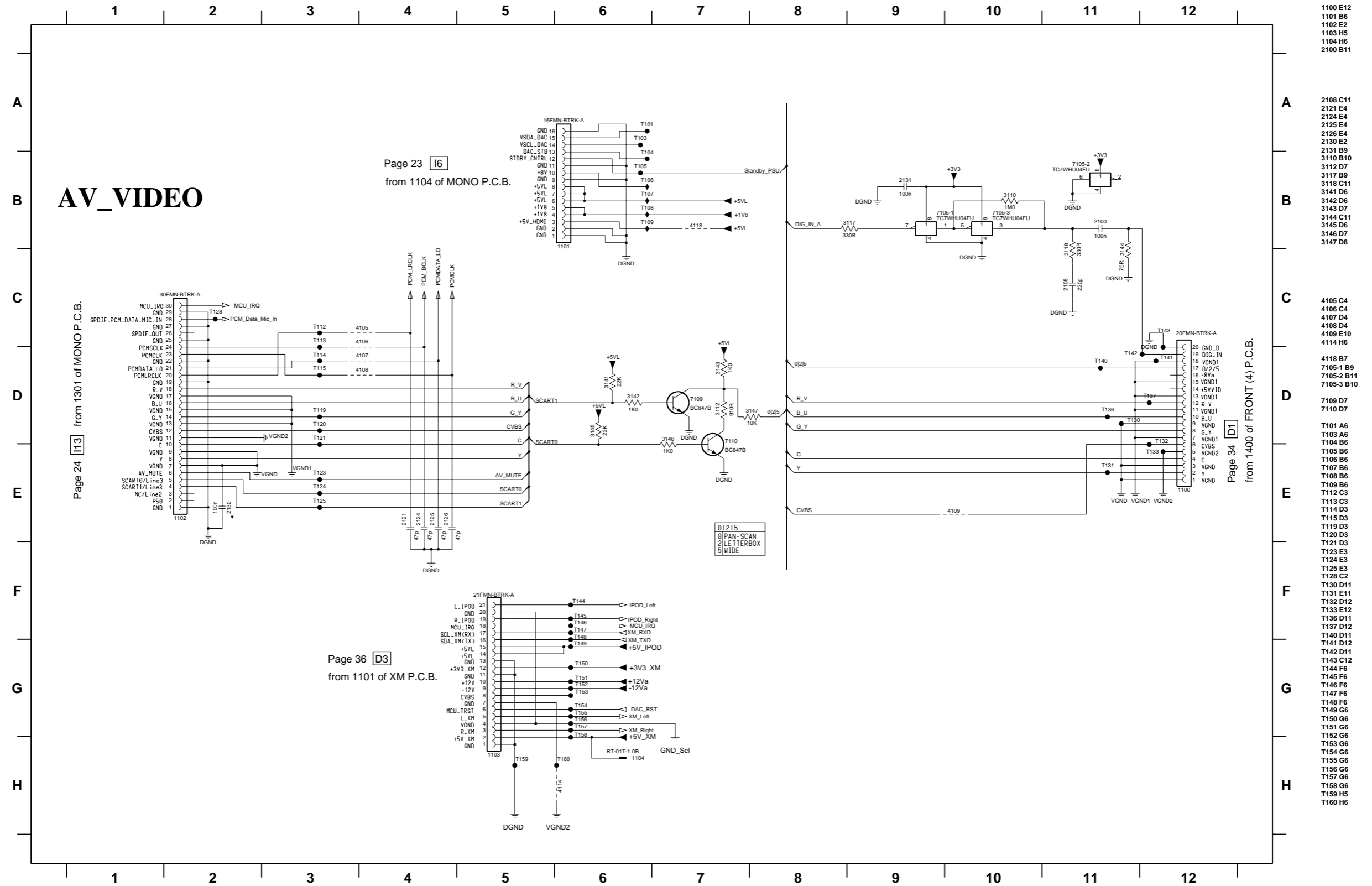


* Components having special characteristics are marked Δ and must be replaced with parts having specifications equal to those originally installed.
 * Schematic diagram is subject to change without notice.

AV (1/6)

The first digit of a component indicates the component type.

1xxx : Connector 3xxx : Resistor 5xxx : Coil 7xxx : IC, Transistor, FET
2xxx : Capacitor 4xxx : SMD jumper 6xxx : Diode 9xxx : Wire jumper



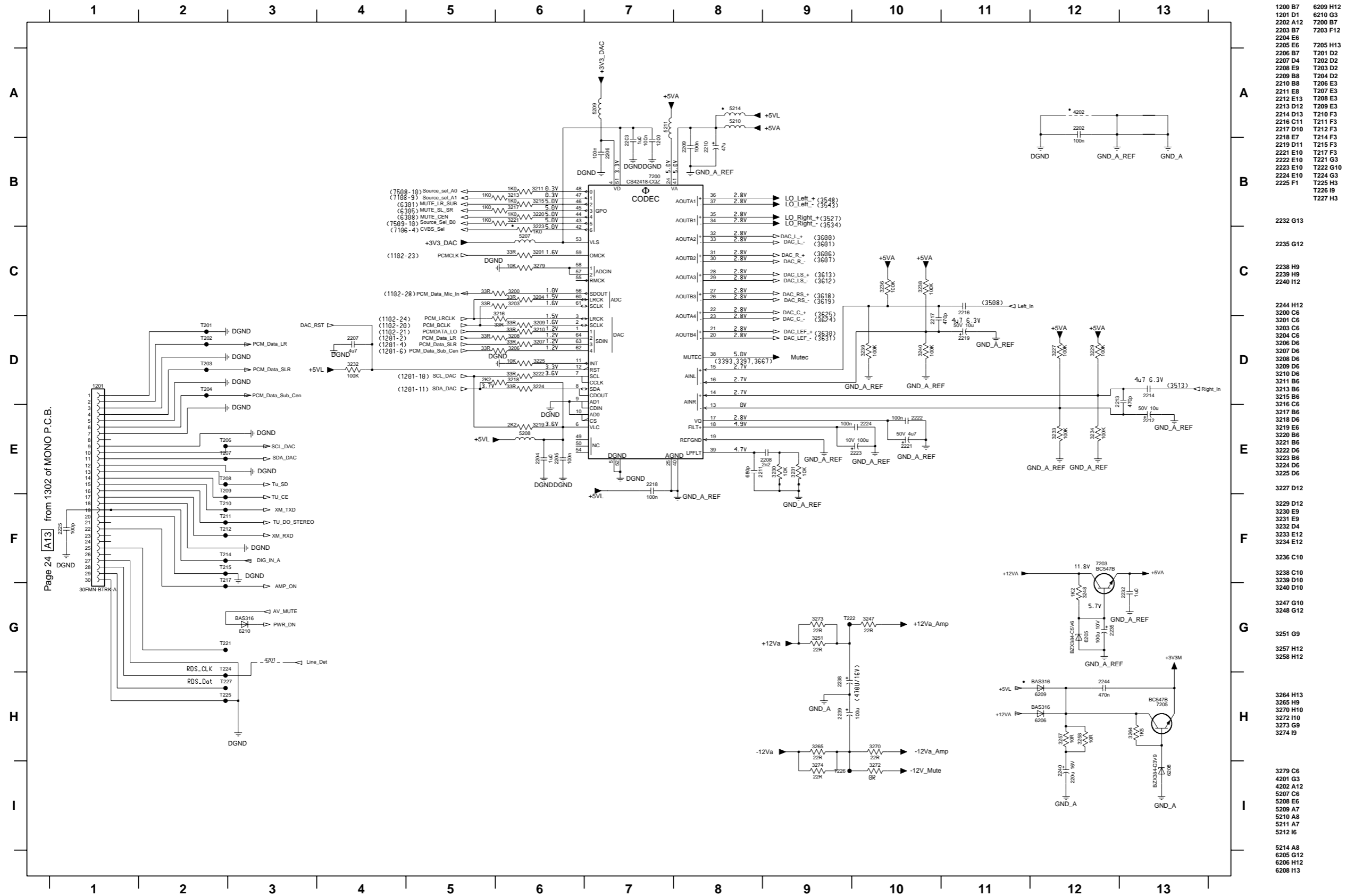
- 1100 E12
- 1101 B6
- 1102 E2
- 1103 H5
- 1104 H6
- 2100 B11
- 2108 C11
- 2121 E4
- 2124 E4
- 2125 E4
- 2126 E4
- 2130 E2
- 2131 B9
- 3110 B10
- 3112 D7
- 3117 B9
- 3118 C11
- 3141 D6
- 3142 D6
- 3143 D7
- 3144 C11
- 3145 D6
- 3146 D7
- 3147 D8
- 4105 C4
- 4106 C4
- 4107 D4
- 4108 D4
- 4109 E10
- 4114 H6
- 4118 B7
- 7105-1 B9
- 7105-2 B11
- 7105-3 B10
- 7109 D7
- 7110 D7
- T101 A6
- T103 A6
- T104 B6
- T105 B6
- T106 B6
- T107 B6
- T108 B6
- T109 B6
- T112 C3
- T113 C3
- T114 D3
- T115 D3
- T119 D3
- T120 D3
- T121 D3
- T123 E3
- T124 E3
- T125 E3
- T128 C2
- T130 D11
- T131 E11
- T132 D12
- T133 E12
- T136 D11
- T137 D12
- T140 D11
- T141 D12
- T142 D11
- T143 C12
- T144 F6
- T145 F6
- T146 F6
- T147 F6
- T148 F6
- T149 G6
- T150 G6
- T151 G6
- T152 G6
- T153 G6
- T154 G6
- T155 G6
- T156 G6
- T157 G6
- T158 G6
- T159 H5
- T160 H6

* Components having special characteristics are marked Δ and must be replaced with parts having specifications equal to those originally installed.
 * Schematic diagram is subject to change without notice.

AV (2/6)

The first digit of a component indicates the component type.

1xxx : Connector 3xxx : Resistor 5xxx : Coil 7xxx : IC, Transistor, FET
 2xxx : Capacitor 4xxx : SMD jumper 6xxx : Diode 9xxx : Wire jumper



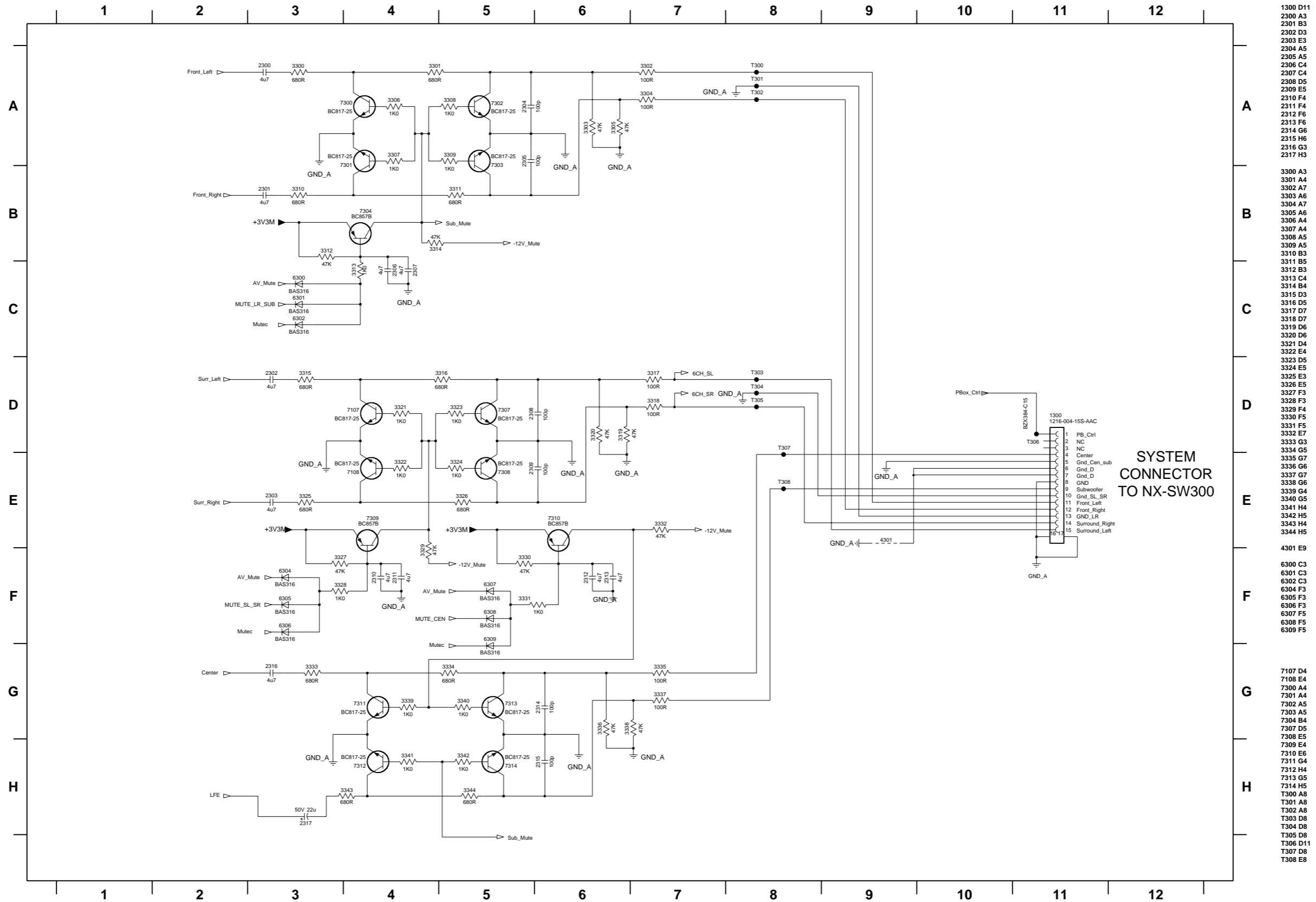
- 1200 B7
- 1201 D1
- 2202 A12
- 2203 B7
- 2204 E6
- 2205 E5
- 2206 B7
- 2207 D4
- 2208 E9
- 2209 B8
- 2210 B8
- 2211 E8
- 2212 E13
- 2213 D12
- 2214 D13
- 2216 C11
- 2217 D10
- 2218 E7
- 2219 D11
- 2221 E10
- 2222 E10
- 2223 E10
- 2224 F10
- 2225 F1
- 6209 H12
- 6210 G3
- 7200 B7
- 7203 F12
- 7205 H13
- T201 D2
- T202 D2
- T203 D2
- T204 D2
- T206 E3
- T207 E3
- T208 E3
- T209 E3
- T210 F3
- T211 F3
- T212 F3
- T214 F3
- T215 F3
- T217 G3
- T221 G3
- T222 G10
- T224 G3
- T225 H3
- T226 I9
- T227 H3
- 2232 G13
- 2235 G12
- 2238 H9
- 2239 H9
- 2240 H12
- 2244 H12
- 3200 C6
- 3201 C6
- 3203 C6
- 3204 C6
- 3206 D6
- 3207 D6
- 3208 D6
- 3209 D6
- 3210 D6
- 3211 B6
- 3213 B6
- 3215 B6
- 3216 C6
- 3217 B6
- 3218 D6
- 3219 E6
- 3220 B6
- 3221 B6
- 3222 D6
- 3223 B6
- 3224 D6
- 3225 D6
- 3227 D12
- 3229 D12
- 3230 E9
- 3231 E9
- 3232 D4
- 3233 E12
- 3234 E12
- 3236 C10
- 3238 C10
- 3239 D10
- 3240 D10
- 3247 G10
- 3248 G12
- 3251 G9
- 3257 H12
- 3258 H12
- 3264 H13
- 3265 H9
- 3270 H10
- 3272 I10
- 3273 G9
- 3274 I9
- 3279 C6
- 4201 G3
- 4202 A12
- 5207 C6
- 5208 E6
- 5209 A7
- 5210 A8
- 5211 A7
- 5212 I6
- 5214 A8
- 6205 G12
- 6206 H12
- 6208 H13

* Components having special characteristics are marked Δ and must be replaced with parts having specifications equal to those originally installed.
 * Schematic diagram is subject to change without notice.

AV (3/6)

The first digit of a component indicates the component type.

1xxx : Connector 3xxx : Resistor 5xxx : Coil 7xxx : IC, Transistor, FET
 2xxx : Capacitor 4xxx : SMD jumper 6xxx : Diode 9xxx : Wire jumper



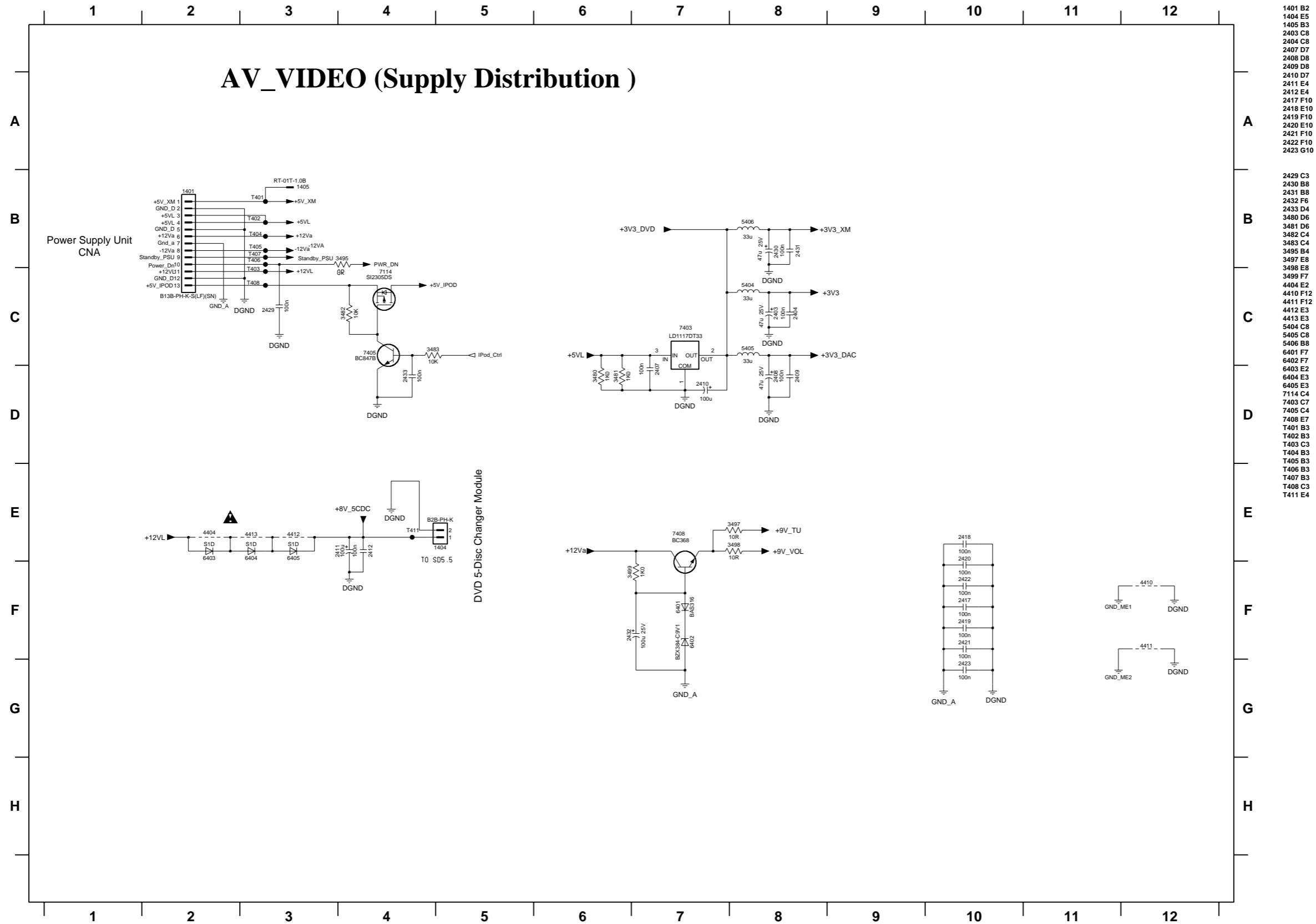
- 1300 D11
- 2300 A3
- 2301 B3
- 2302 D3
- 2303 E3
- 2304 A5
- 2305 A5
- 2306 C4
- 2307 C4
- 2308 D5
- 2309 E5
- 2310 F4
- 2311 F4
- 2312 F6
- 2313 F6
- 2314 G6
- 2315 H6
- 2316 G3
- 2317 H3
- 3300 A3
- 3301 A4
- 3302 A7
- 3303 A6
- 3304 A7
- 3305 A6
- 3306 A4
- 3307 A4
- 3308 A5
- 3309 A5
- 3310 B3
- 3311 B5
- 3312 B3
- 3313 C4
- 3314 B4
- 3315 D3
- 3316 D5
- 3317 D7
- 3318 D7
- 3319 D6
- 3320 D6
- 3321 D4
- 3322 E4
- 3323 D5
- 3324 E5
- 3325 E3
- 3326 E5
- 3327 F3
- 3328 F4
- 3329 F4
- 3330 F5
- 3331 F5
- 3332 E7
- 3333 G3
- 3334 G5
- 3335 G7
- 3336 G6
- 3337 G7
- 3338 G6
- 3339 G4
- 3340 G5
- 3341 H4
- 3342 H5
- 3343 H4
- 3344 H5
- 4301 E9
- 6300 C3
- 6301 C3
- 6302 C3
- 6304 F3
- 6305 F3
- 6306 F3
- 6307 F5
- 6308 F5
- 6309 F5
- 7107 D4
- 7108 E4
- 7300 A4
- 7301 A4
- 7302 A5
- 7303 A5
- 7304 B4
- 7307 D5
- 7308 E5
- 7309 E4
- 7310 E6
- 7311 G4
- 7312 H4
- 7313 G5
- 7314 H5
- T300 A8
- T301 A8
- T302 A8
- T303 D8
- T304 D8
- T305 D8
- T306 D11
- T307 D8
- T308 E8

* Components having special characteristics are marked Δ and must be replaced with parts having specifications equal to those originally installed.
 * Schematic diagram is subject to change without notice.

The first digit of a component indicates the component type.

1xxx : Connector 3xxx : Resistor 5xxx : Coil 7xxx : IC, Transistor, FET

2xxx : Capacitor 4xxx : SMD jumper 6xxx : Diode 9xxx : Wire jumper



- 1401 B2
- 1404 E5
- 1405 B3
- 2403 C8
- 2404 C8
- 2407 D7
- 2408 D8
- 2409 D8
- 2410 D7
- 2411 E4
- 2412 E4
- 2417 F10
- 2418 E10
- 2419 F10
- 2420 E10
- 2421 F10
- 2422 F10
- 2423 G10

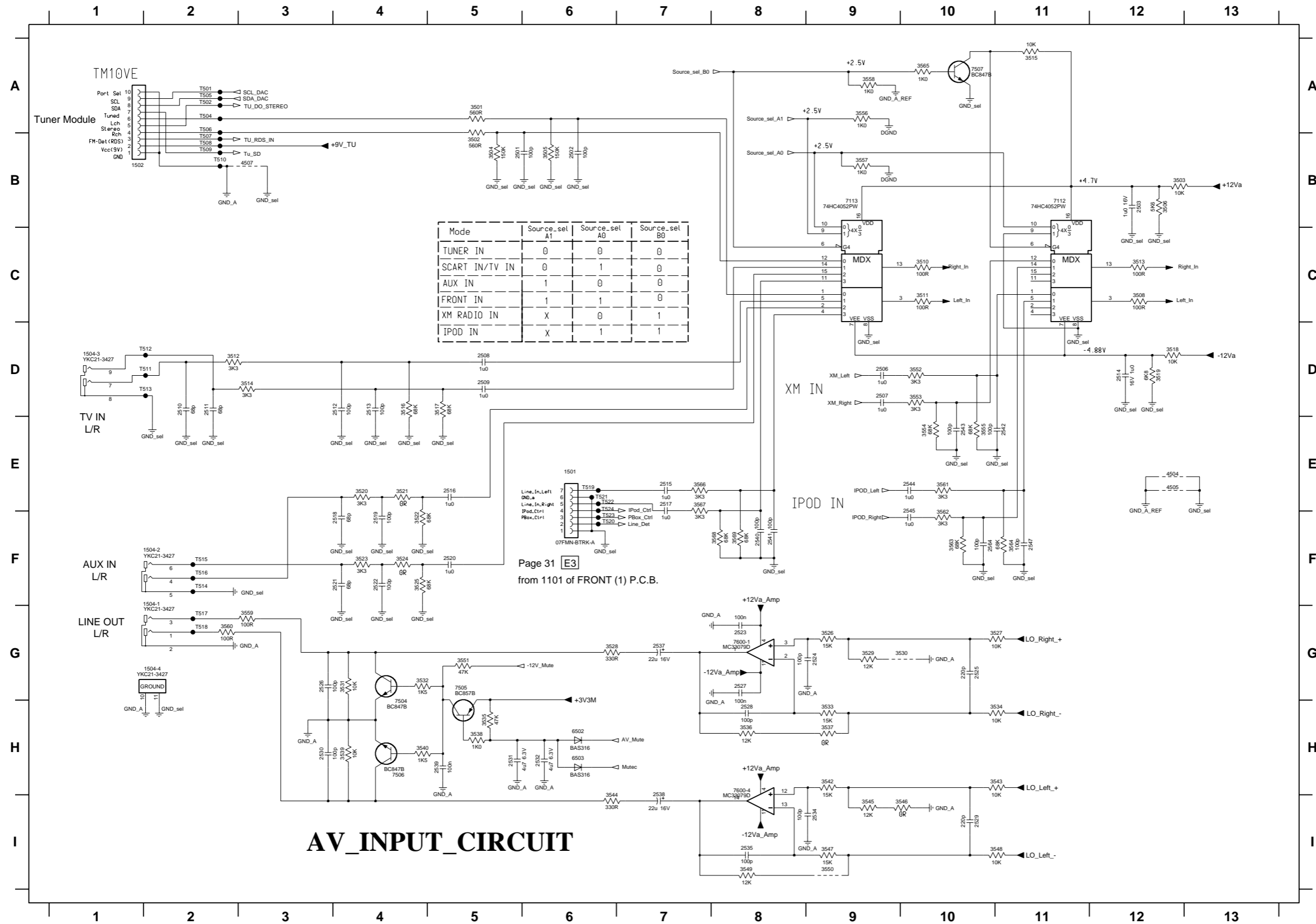
- 2429 C3
- 2430 B8
- 2431 B8
- 2432 F6
- 2433 D4
- 3480 D6
- 3481 D6
- 3482 C4
- 3483 C4
- 3495 B4
- 3497 E8
- 3498 E8
- 3499 F7
- 4404 E2
- 4410 F12
- 4411 F12
- 4412 E3
- 4413 E3
- 5404 C8
- 5405 C8
- 5406 B8
- 6401 F7
- 6402 F7
- 6403 E2
- 6404 E3
- 6405 E3
- 7114 C4
- 7403 C7
- 7405 C4
- 7408 E7
- 7401 B3
- 7402 B3
- T403 C3
- T404 B3
- T405 B3
- T406 B3
- T407 B3
- T408 C3
- T411 E4

* Components having special characteristics are marked Δ and must be replaced with parts having specifications equal to those originally installed.
 * Schematic diagram is subject to change without notice.

AV (5/6)

The first digit of a component indicates the component type.

1xxx : Connector 3xxx : Resistor 5xxx : Coil 7xxx : IC, Transistor, FET
 2xxx : Capacitor 4xxx : SMD jumper 6xxx : Diode 9xxx : Wire jumper



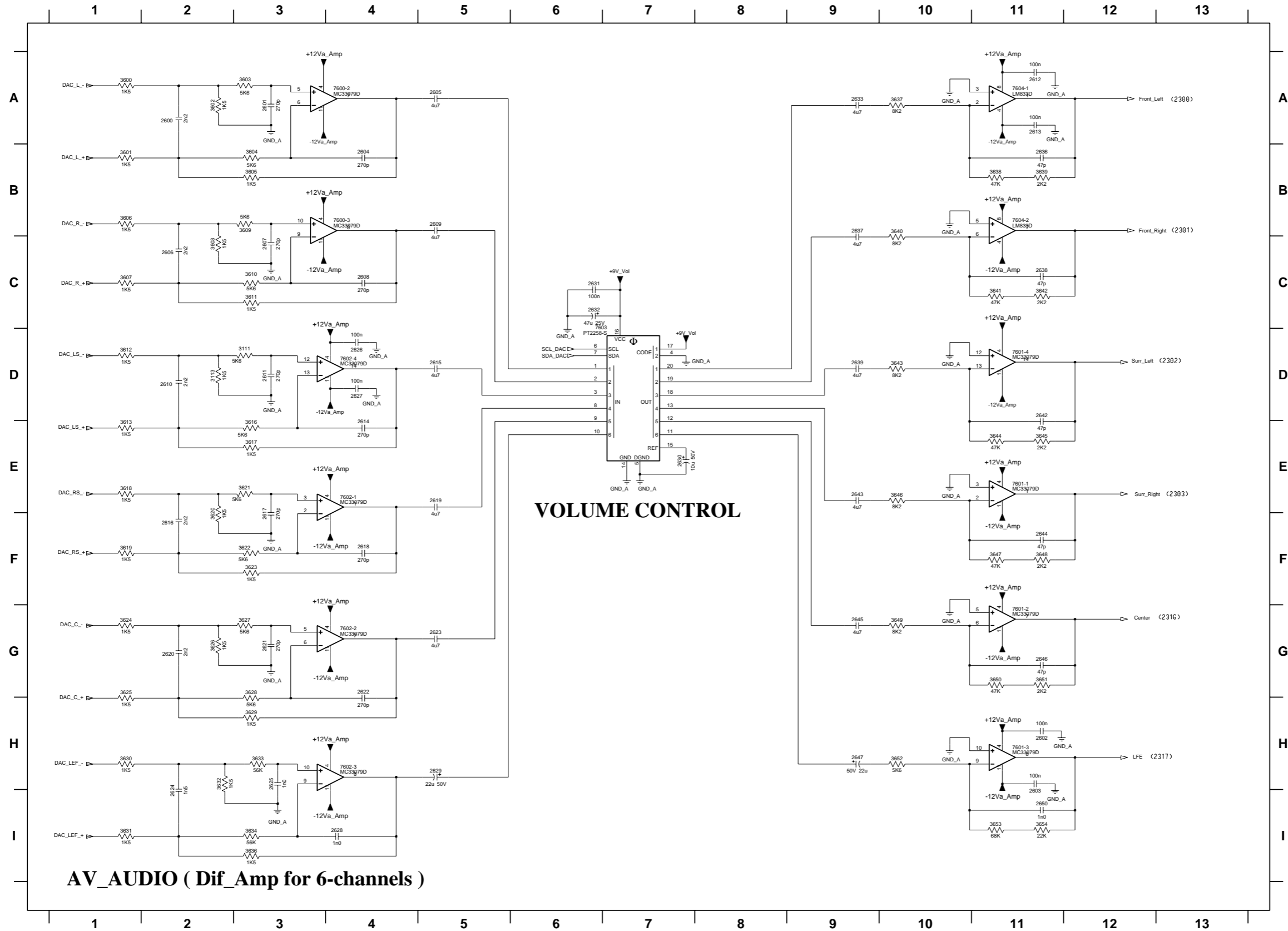
- 1501 E6
- 1502 B1
- 1504-1 F2
- 1504-2 F2
- 1504-3 D1
- 1504-4 G2
- 2501 B5
- 2502 B6
- 2503 B12
- 2506 D9
- 2507 D9
- 2508 D5
- 2509 D5
- 2510 D2
- 2511 D2
- 2512 D4
- 2513 D4
- 2514 D12
- 2515 E7
- 2516 E5
- 2517 E7
- 2518 F4
- 2519 F4
- 2520 F5
- 2521 F4
- 2522 F4
- 2523 G8
- 2524 G9
- 2525 G10
- 2526 G3
- 2527 G8
- 2528 H8
- 2529 H0
- 2530 H3
- 2531 H5
- 2532 H6
- 2534 I9
- 2535 I8
- 2537 G7
- 2538 I7
- 2539 H5
- 2540 F8
- 2541 F8
- 2542 E11
- 2543 E10
- 2544 E10
- 2545 F10
- 2547 F11
- 2564 F10
- 3501 A5
- 3502 B5
- 3503 B12
- 3504 B5
- 3505 B6
- 3506 B12
- 3508 C12
- 3510 C10
- 3511 C10
- 3512 D2
- 3513 C12
- 3514 D3
- 3515 A11
- 3516 D4
- 3517 D5
- 3518 D12
- 3519 D12
- 3520 E4
- 3521 E4
- 3522 F4
- 3523 F4
- 3524 F4
- 3525 F4
- 3526 G9
- 3527 G11
- 3528 G6
- 3529 G9
- 3530 G10
- 3531 G4
- 3532 G4
- 3533 H9
- 3534 H11
- 3535 H5
- 3536 H8
- 3537 H9
- 3538 H5
- 3539 H4
- 3540 H4
- 3542 H9
- 3543 H11
- 3544 I6
- 3545 I9
- 3546 I10
- 3547 I9
- 3548 I11
- 3549 I8
- 3550 I9
- 3551 G5
- 3552 D10
- 3553 D10
- 3554 E10
- 3555 E10
- 3556 A9
- 3557 B9
- 3558 A9
- 3559 G3
- 3560 G2
- 3561 E10
- 3562 F10
- 3563 F10
- 3564 F11
- 3565 A10
- 3566 E7
- 3567 E7
- 3568 F8
- 3569 F8
- 4504 E12
- 4505 E12
- 4507 B3
- 4508 H6
- 4509 H6
- 4510 B9
- 4511 B9
- 4512 H4
- 4513 D4
- 4514 G8
- 4515 H8
- 4516 A2
- 4517 A2
- 4518 A2
- 4519 A2
- 4520 A2
- 4521 B2
- 4522 B2
- 4523 B2
- 4524 B2
- 4525 D2
- 4526 D2
- 4527 D2
- 4528 F2
- 4529 F2
- 4530 F2
- 4531 G2
- 4532 G2
- 4533 G2
- 4534 G2
- 4535 G2
- 4536 G2
- 4537 G2
- 4538 G2
- 4539 G2
- 4540 G2

* Components having special characteristics are marked Δ and must be replaced with parts having specifications equal to those originally installed.
 * Schematic diagram is subject to change without notice.

AV (6/6)

The first digit of a component indicates the component type.

1xxx : Connector 3xxx : Resistor 5xxx : Coil 7xxx : IC, Transistor, FET
 2xxx : Capacitor 4xxx : SMD jumper 6xxx : Diode 9xxx : Wire jumper



AV_AUDIO (Dif_Amp for 6-channels)

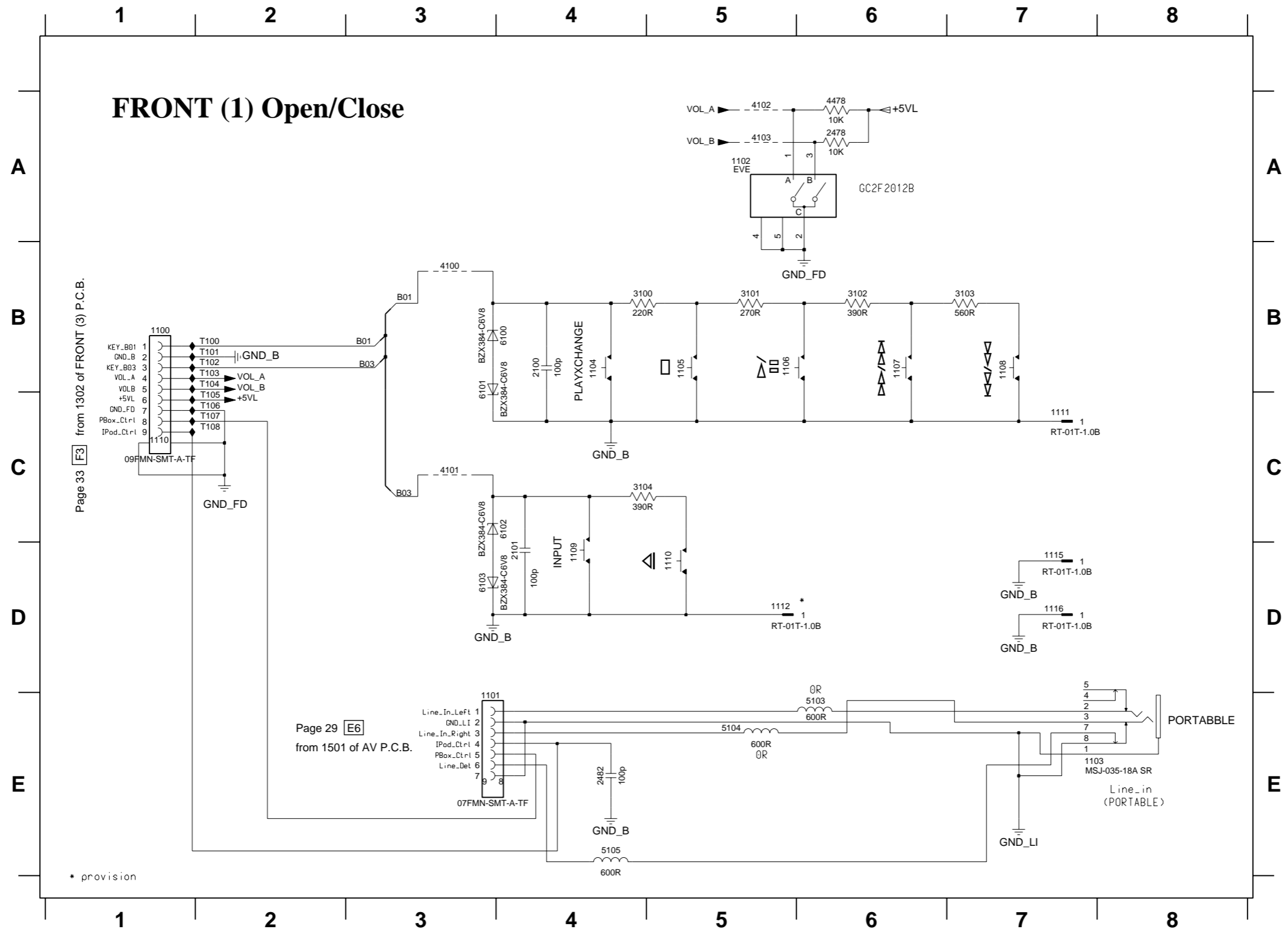
- 2600 A2
- 2601 A3
- 2602 H11
- 2603 H11
- 2604 B4
- 2605 A5
- 2606 C2
- 2607 C3
- 2608 C4
- 2609 B5
- 2610 D2
- 2611 D3
- 2612 A11
- 2613 A11
- 2614 E4
- 2615 D5
- 2616 F2
- 2617 F3
- 2618 F4
- 2619 E5
- 2620 G2
- 2621 C3
- 2622 G4
- 2623 G5
- 2624 I2
- 2625 H3
- 2626 D4
- 2627 D4
- 2628 H4
- 2629 H5
- 2630 E7
- 2631 C6
- 2632 C6
- 2633 A9
- 2636 B11
- 2637 B9
- 2638 C11
- 2639 D9
- 2642 D11
- 2643 E9
- 2644 F11
- 2645 G9
- 2646 G11
- 2647 H9
- 2650 H11
- 3111 D3
- 3113 D2
- 3600 A1
- 3601 B1
- 3602 A2
- 3603 A3
- 3604 B3
- 3605 B3
- 3606 B1
- 3607 C1
- 3608 C2
- 3609 B3
- 3610 C3
- 3611 C3
- 3612 D1
- 3613 E1
- 3616 E3
- 3617 E3
- 3618 E1
- 3619 F1
- 3620 F2
- 3621 E3
- 3622 F3
- 3623 F3
- 3624 G1
- 3625 G1
- 3626 G2
- 3627 G3
- 3628 G3
- 3629 H3
- 3630 H1
- 3631 H1
- 3632 H2
- 3633 H3
- 3634 I3
- 3636 I3
- 3637 A10
- 3638 B11
- 3639 B11
- 3640 B10
- 3641 C11
- 3642 C11
- 3643 D10
- 3644 E11
- 3645 E11
- 3646 E10
- 3647 F11
- 3648 F11
- 3649 G10
- 3650 G11
- 3651 G11
- 3652 H10
- 3653 H11
- 3654 H11
- 7600-2 A4
- 7600-3 B4
- 7601-1 E11
- 7601-2 G11
- 7601-3 H11
- 7601-4 D11
- 7602-1 E4
- 7602-2 G4
- 7602-3 H4
- 7602-4 D4
- 7603 D7
- 7604-1 A11
- 7604-2 B11

* Components having special characteristics are marked Δ and must be replaced with parts having specifications equal to those originally installed.
 * Schematic diagram is subject to change without notice.

FRONT (1/4)

The first digit of a component indicates the component type.

1xxx : Connector 3xxx : Resistor 5xxx : Coil 7xxx : IC, Transistor, FET
 2xxx : Capacitor 4xxx : SMD jumper 6xxx : Diode 9xxx : Wire jumper



- 1100 B1
- 1101 E3
- 1102 A5
- 1103 E7
- 1104 B4
- 1105 B5
- 1106 B5
- 1107 B6
- 1108 B7
- 1109 D4
- 1110 D5
- 1111 C7
- 1112 D5
- 1115 D7
- 1116 D7
- 2100 B4
- 2101 D4
- 2478 A6

- 2482 E4
- 3100 B4
- 3101 B5
- 3102 B6
- 3103 B7
- 3104 C4
- 4100 B3
- 4101 C3
- 4102 A5
- 4103 A5

- 4478 A6

- 5103 E6
- 5104 E5
- 5105 E4
- 6100 B4
- 6101 B3
- 6102 C4
- 6103 D3
- T100 B2
- T101 B2
- T102 B2
- T103 B2
- T104 B2
- T105 C2
- T106 C2
- T107 C2
- T108 C2

* provision

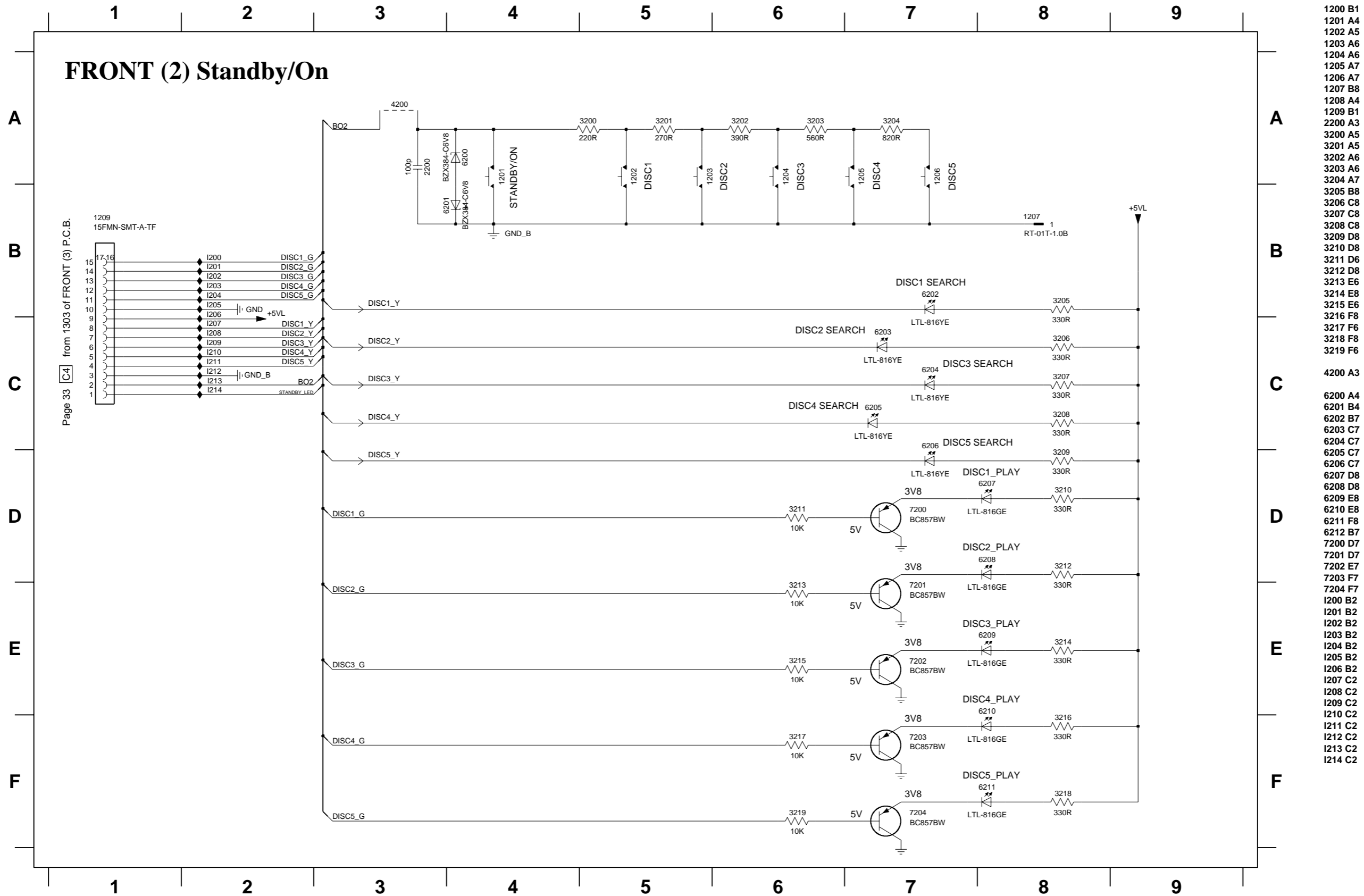
* Components having special characteristics are marked Δ and must be replaced with parts having specifications equal to those originally installed.
 * Schematic diagram is subject to change without notice.

FRONT (2/4)

The first digit of a component indicates the component type.

1xxx : Connector 3xxx : Resistor 5xxx : Coil 7xxx : IC, Transistor, FET

2xxx : Capacitor 4xxx : SMD jumper 6xxx : Diode 9xxx : Wire jumper



- 1200 B1
- 1201 A4
- 1202 A5
- 1203 A6
- 1204 A6
- 1205 A7
- 1206 A7
- 1207 B8
- 1208 A4
- 1209 B1
- 2200 A3
- 3200 A5
- 3201 A5
- 3202 A6
- 3203 A6
- 3204 A7
- 3205 B8
- 3206 C8
- 3207 C8
- 3208 C8
- 3209 D8
- 3210 D8
- 3211 D6
- 3212 D8
- 3213 E6
- 3214 E8
- 3215 E6
- 3216 F8
- 3217 F6
- 3218 F8
- 3219 F6
- 4200 A3
- 6200 A4
- 6201 B4
- 6202 B7
- 6203 C7
- 6204 C7
- 6205 C7
- 6206 C7
- 6207 D8
- 6208 D8
- 6209 E8
- 6210 E8
- 6211 F8
- 6212 B7
- 7200 D7
- 7201 D7
- 7202 E7
- 7203 F7
- 7204 F7
- I200 B2
- I201 B2
- I202 B2
- I203 B2
- I204 B2
- I205 B2
- I206 B2
- I207 C2
- I208 C2
- I209 C2
- I210 C2
- I211 C2
- I212 C2
- I213 C2
- I214 C2

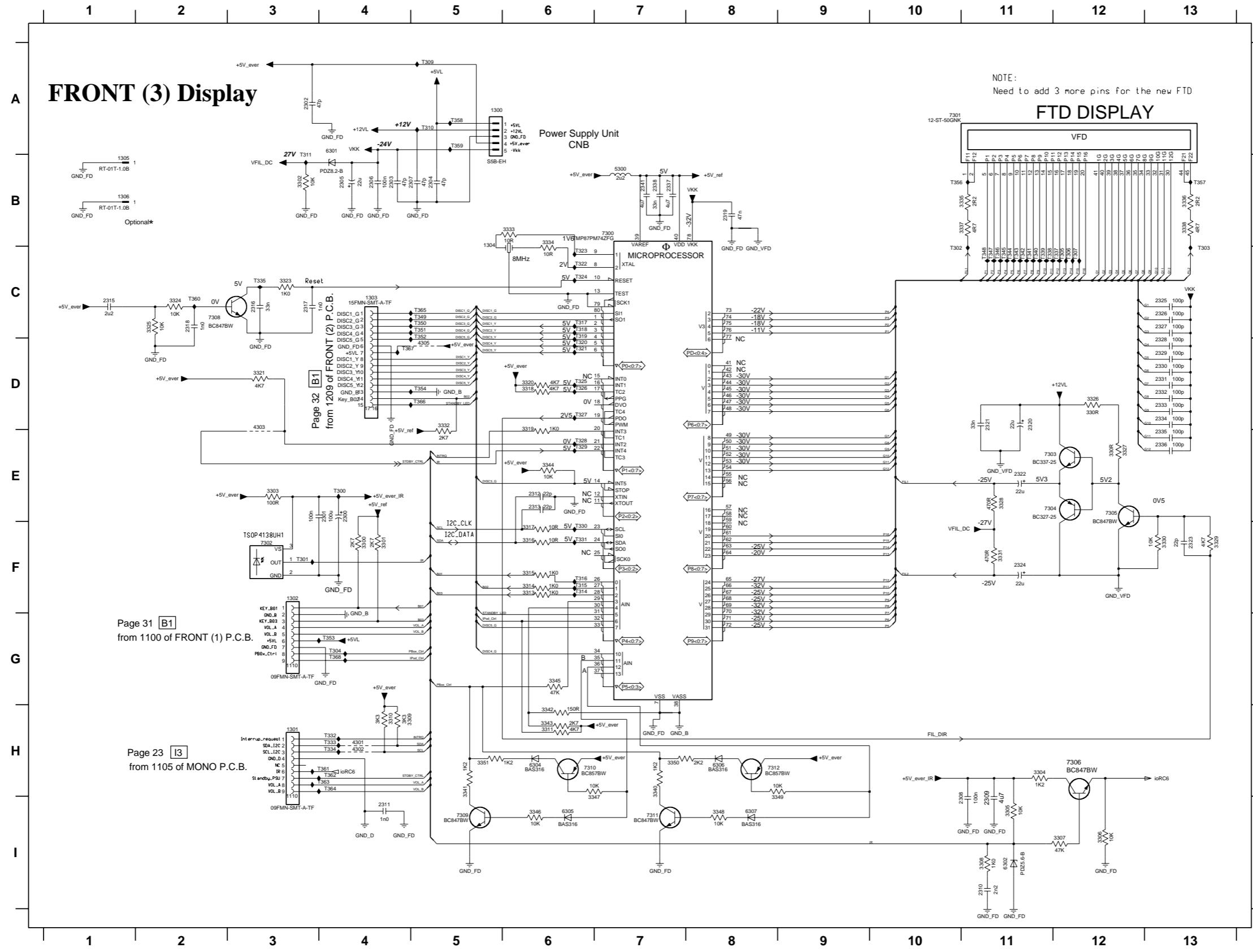
* Components having special characteristics are marked Δ and must be replaced with parts having specifications equal to those originally installed.
 * Schematic diagram is subject to change without notice.

FRONT (3/4)

The first digit of a component type.

1xxx : Connector 3xxx : Resistor 5xxx : Coil 7xxx : IC, Transistor, FET

2xxx : Capacitor 4xxx : SMD jumper 6xxx : Diode 9xxx : Wire jumper



- 1300 A5
- 1301 H3
- 1302 F3
- 1303 C4
- 1304 C5
- 1305 B1
- 1306 B1
- 2300 E4
- 2301 E4
- 2302 A3
- 2303 B4
- 2304 B5
- 2305 B4
- 2306 B4
- 2307 B5
- 2308 H11
- 2309 H11
- 2310 H11
- 2311 H4
- 2312 E6
- 2313 E6
- 2315 C1
- 2316 C3
- 2317 C3
- 2318 C2
- 2319 B8
- 2320 D11
- 2321 D11
- 2322 E11
- 2323 F13
- 2324 F11
- 2325 C13
- 2326 C13
- 2327 C13
- 2328 D13
- 2329 D13
- 2330 D13
- 2331 D13
- 2332 D13
- 2333 D13
- 2334 D13
- 2335 E13
- 2336 E13
- 2337 B7
- 2338 B7
- 2341 B7
- 3300 F4
- 3301 F4
- 3302 B3
- 3303 E3
- 3304 H11
- 3305 H11
- 3306 H12
- 3307 H2
- 3308 H11
- 3309 H5
- 3310 H4
- 3311 H6
- 3313 F6
- 3314 F6
- 3315 F6
- 3316 F6
- 3317 F6
- 3318 D6
- 3319 E5
- 3320 D6
- 3321 D3
- 3323 C3
- 3324 C2
- 3325 C2
- 3326 D12
- 3327 E12
- 3328 E11
- 3329 F13
- 3330 F13
- 3331 F11
- 3332 D5
- 3333 B6
- 3334 B6
- 3335 B11
- 3336 B13
- 3337 B11
- 3338 B13
- 3340 H7
- 3341 H5
- 3342 H6
- 3343 H6
- 3344 E6
- 3345 G6
- 3346 H6
- 3347 H6
- 3348 H8
- 3349 H8
- 3350 H7
- 3351 H5
- 4301 H4
- 4302 H4
- 4303 D3
- 4305 D5
- 5300 B7
- 6301 A4
- 6302 H11
- 6304 H6
- 6305 H6
- 6306 H8
- 6307 H8
- 7300 B7
- 7301 A10
- 7302 F3
- 7303 E12
- 7304 E12
- 7305 E12
- 7306 H12
- 7308 C2
- 7309 H5
- 7310 H6
- 7311 H7
- 7312 H8
- 7300 E4
- 7301 F3
- 7302 C10
- 7303 C13
- 7304 G4
- 7305 C12
- 7306 C12
- 7307 C12
- 7309 A5
- 7310 A5
- 7311 A3
- 7312 F6
- 7313 F6
- 7314 F6
- 7315 F6
- 7316 F6
- 7317 C6
- 7318 C6
- 7319 C6
- 7320 D6
- 7321 D6
- 7322 C6
- 7323 C6
- 7324 C6
- 7325 D6
- 7326 D6
- 7327 D6
- 7328 E6
- 7329 E6
- 7330 F6
- 7331 F6
- 7332 H4
- 7333 H4
- 7334 H4
- 7335 C3
- 7336 D3
- 7337 C11
- 7338 C11
- 7339 C11
- 7340 C11
- 7341 C11
- 7342 C11
- 7343 C11
- 7344 C11
- 7345 C11
- 7346 C11
- 7347 C11
- 7348 C11
- 7349 C5
- 7350 C5
- 7351 C5
- 7352 C5
- 7353 G4
- 7354 D5
- 7355 B11
- 7356 B11
- 7357 B13
- 7358 A5
- 7359 A5
- 7360 C2
- 7361 H4
- 7362 H4
- 7363 H4
- 7364 H4
- 7365 C5
- 7366 D5
- 7367 D4
- 7368 G4

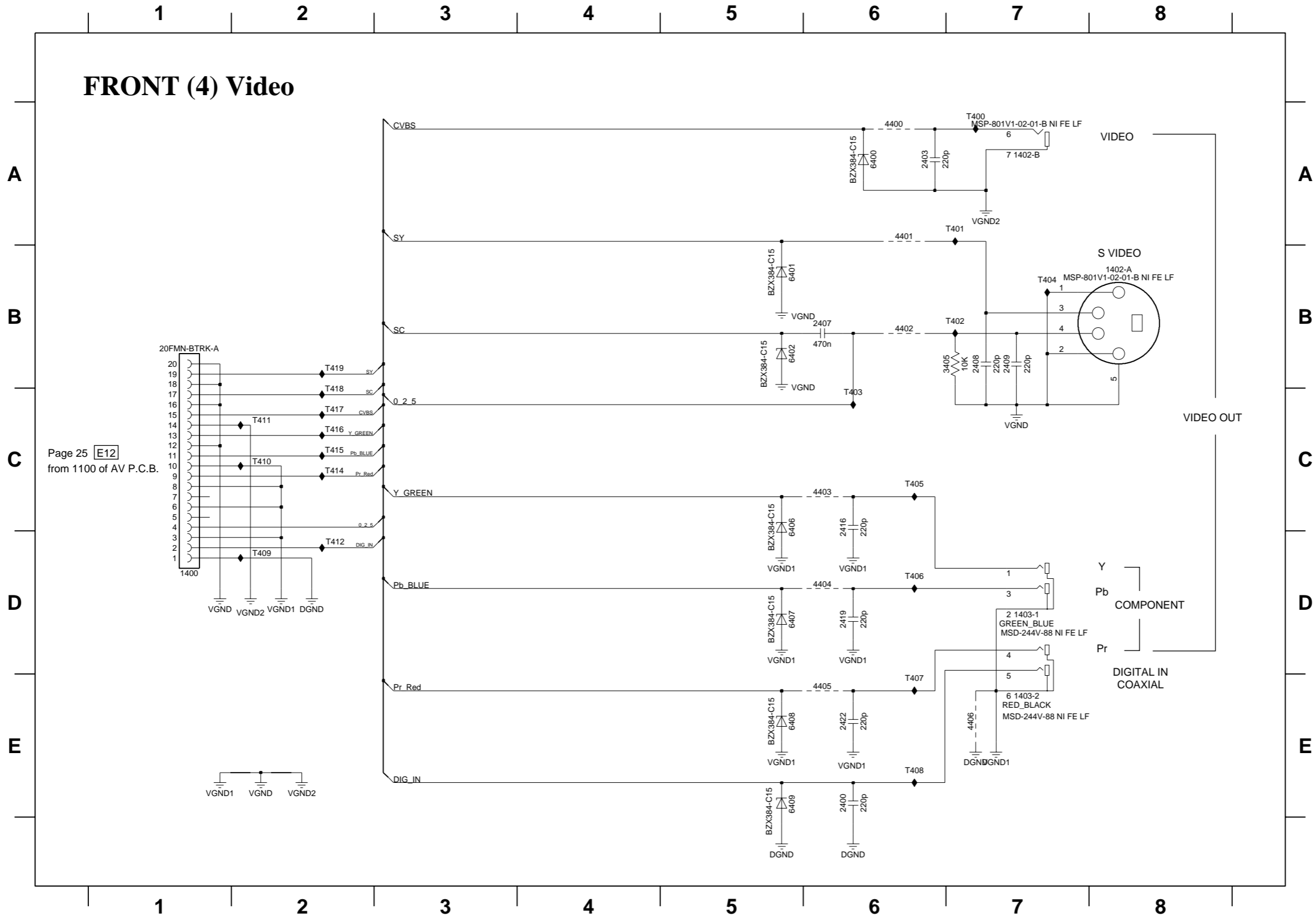
* Components having special characteristics are marked Δ and must be replaced with parts having specifications equal to those originally installed.
 * Schematic diagram is subject to change without notice.

FRONT (4/4)

The first digit of a component indicates the component type.

1xxx : Connector 3xxx : Resistor 5xxx : Coil 7xxx : IC, Transistor, FET

2xxx : Capacitor 4xxx : SMD jumper 6xxx : Diode 9xxx : Wire jumper



Page 25 E12
from 1100 of AV P.C.B.

- 1400 D1
- 1402-A B8
- 1402-B A7
- 1402-C C8
- 1403-1 D7
- 1403-2 E7
- 2400 E6
- 2403 A6
- 2407 B6
- 2408 B7
- 2409 B7
- 2416 C6
- 2419 D6
- 2422 E6
- 3405 B7
- 4400 A6
- 4401 A6
- 4402 B6
- 4403 C6
- 4404 D6
- 4405 E6
- 4406 E7

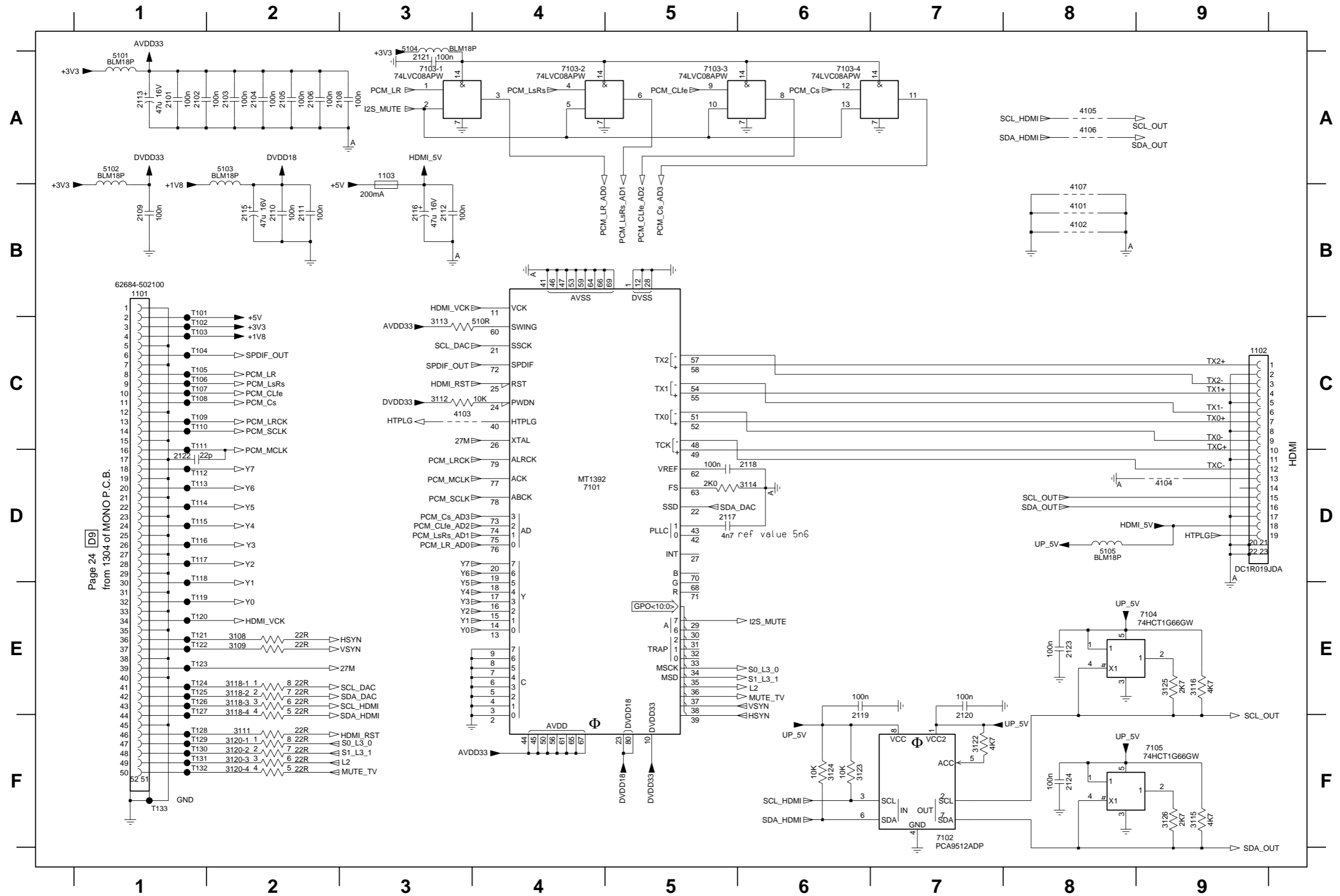
- 6400 A6
- 6401 B5
- 6402 B5
- 6406 C5
- 6407 D5
- 6408 E5
- 6409 E5
- T400 A7
- T401 A7
- T402 B7
- T403 C6
- T404 B7
- T405 C6
- T406 D6
- T407 E6
- T408 E6
- T409 D2
- T410 C2
- T411 C2
- T412 D2
- T414 C2
- T415 C2
- T416 C2
- T417 C2
- T418 C2
- T419 B2

* Components having special characteristics are marked \triangle and must be replaced with parts having specifications equal to those originally installed.
* Schematic diagram is subject to change without notice.

The first digit of a component indicates the component type.

1xxx : Connector 3xxx : Resistor 5xxx : Coil 7xxx : IC, Transistor, FET
 2xxx : Capacitor 4xxx : SMD jumper 6xxx : Diode 9xxx : Wire jumper

HDMI



1101	B1	T111	C1
1102	C9	T112	D1
1103	A3	T113	D1
2101	A1	T114	D1
2102	A1	T115	D1
2103	A2	T116	D1
2104	A2	T117	D1
2105	A2	T118	D1
2106	A2	T119	E1
2108	A3	T120	E1
2109	B1	T121	E1
2110	B2	T122	E1
2111	B2	T123	E1
2112	B3	T124	E1
2113	A1	T125	E1
2115	B2	T126	E1
2116	B3	T127	E1
2117	D5	T128	F1
2118	D6	T129	F1
2119	E6	T130	F1
2120	E7	T131	F1
2121	A3	T132	F1
2122	D1	T133	F1
2123	E8		
2124	F8		
3108	E2		
3109	E2		
3111	F2		
3112	C3		
3113	C3		
3114	D6		
3115	F9		
3116	E9		
3118-1	E2		
3118-2	E2		
3118-3	E2		
3118-4	E2		
3120-1	F2		
3120-2	F2		
3120-3	F2		
3120-4	F2		
3122	F7		
3123	F6		
3124	F6		
3125	E9		
3126	F9		
4101	B8		
4102	B8		
4103	C3		
4104	D9		
4105	A8		
4106	A8		
4107	A8		
5101	A1		
5102	A1		
5103	A2		
5104	A3		
5105	D8		
7101	D4		
7102	F7		
7103-1	A3		
7103-2	A4		
7103-3	A5		
7103-4	A6		
7104	E9		
7105	F9		
T101	B1		
T102	C1		
T104	C1		
T106	C1		
T107	C1		
T108	C1		
T109	C1		
T110	C1		
T111	C1		
T112	C1		
T113	C1		
T114	C1		
T115	C1		
T116	C1		
T117	C1		
T118	C1		
T119	C1		
T120	C1		
T121	C1		
T122	C1		
T123	C1		
T124	C1		
T125	C1		
T126	C1		
T127	C1		
T128	C1		
T129	C1		
T130	C1		
T131	C1		
T132	C1		
T133	C1		

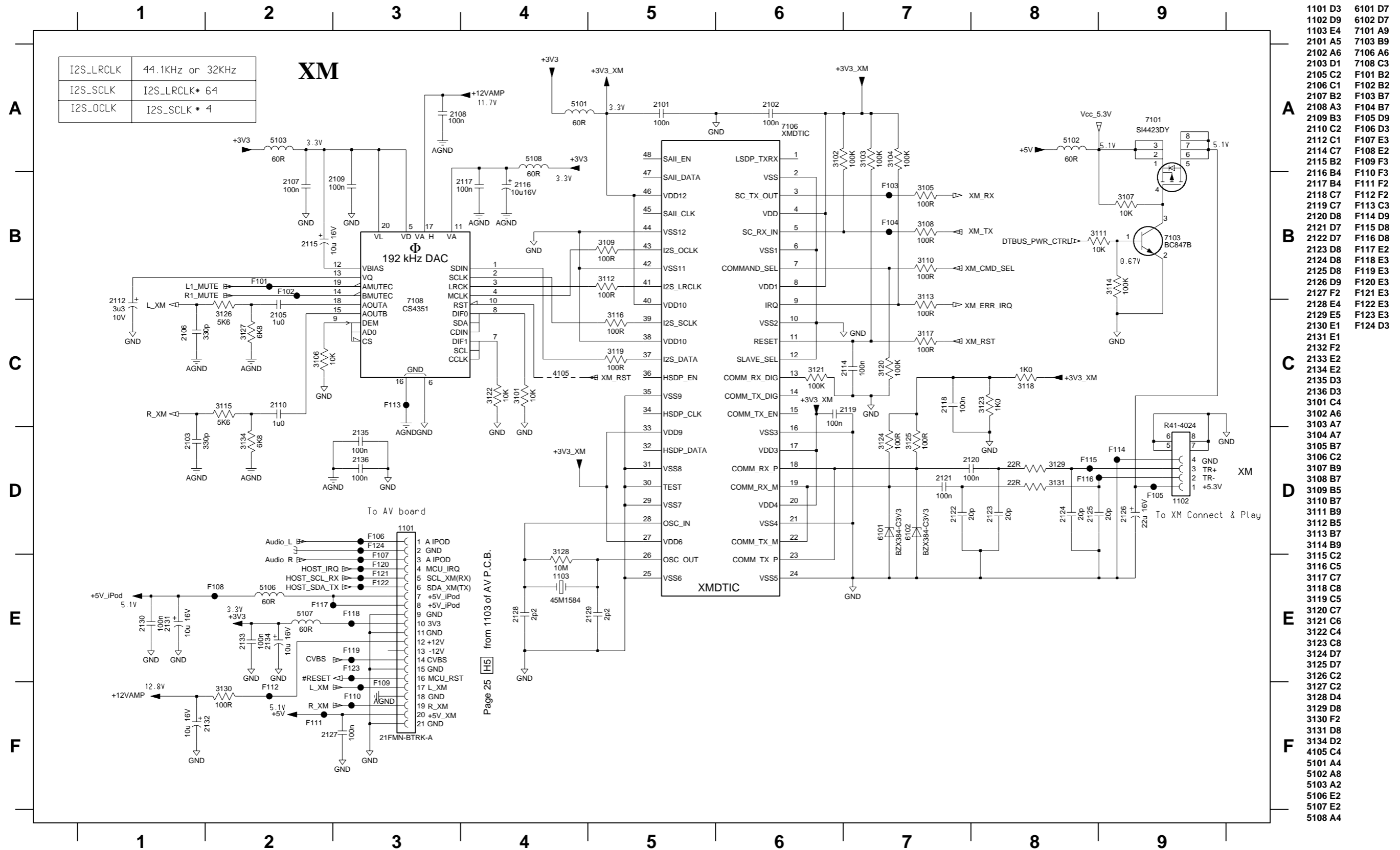
Page 24 [D9] from 1304 of MONO P.C.B.

XM (1/2)

The first digit of a component indicates the component type.

1xxx : Connector 3xxx : Resistor 5xxx : Coil 7xxx : IC, Transistor, FET

2xxx : Capacitor 4xxx : SMD jumper 6xxx : Diode 9xxx : Wire jumper



- 1101 D3
- 1102 D9
- 1103 E4
- 2101 A5
- 2102 A6
- 2103 D1
- 2105 C2
- 2106 C1
- 2107 B2
- 2108 A3
- 2109 B3
- 2110 C2
- 2112 C1
- 2114 C7
- 2115 B2
- 2116 B4
- 2117 B4
- 2118 C7
- 2119 C7
- 2120 D8
- 2121 D7
- 2122 D7
- 2123 D8
- 2124 D8
- 2125 D8
- 2126 D9
- 2127 F2
- 2128 E4
- 2129 E5
- 2130 E1
- 2131 E1
- 2132 F2
- 2133 E2
- 2134 E2
- 2135 D3
- 2136 D3
- 3101 C4
- 3102 A6
- 3103 A7
- 3104 A7
- 3105 B7
- 3106 C2
- 3107 B9
- 3108 B7
- 3109 B5
- 3110 B7
- 3111 B9
- 3112 B5
- 3113 B7
- 3114 B9
- 3115 C2
- 3116 C5
- 3117 C7
- 3118 C8
- 3119 C5
- 3120 C7
- 3121 C6
- 3122 C4
- 3123 C8
- 3124 D7
- 3125 D7
- 3126 C2
- 3127 C2
- 3128 D4
- 3129 D8
- 3130 F2
- 3131 D8
- 3134 D2
- 4105 C4
- 5101 A4
- 5102 A8
- 5103 A2
- 5106 E2
- 5107 E2
- 5108 A4
- 6101 D7
- 6102 D7
- 7101 A9
- 7103 B9
- 7106 B3
- 7108 C3
- F101 B7
- F102 B7
- F103 B7
- F104 B7
- F105 B7
- F106 D3
- F107 E3
- F108 E2
- F109 F3
- F110 B7
- F111 F2
- F112 F2
- F113 C3
- F114 D9
- F115 D8
- F116 D8
- F117 E2
- F118 E3
- F119 E3
- F120 E3
- F121 E3
- F122 E3
- F123 E3
- F124 D3

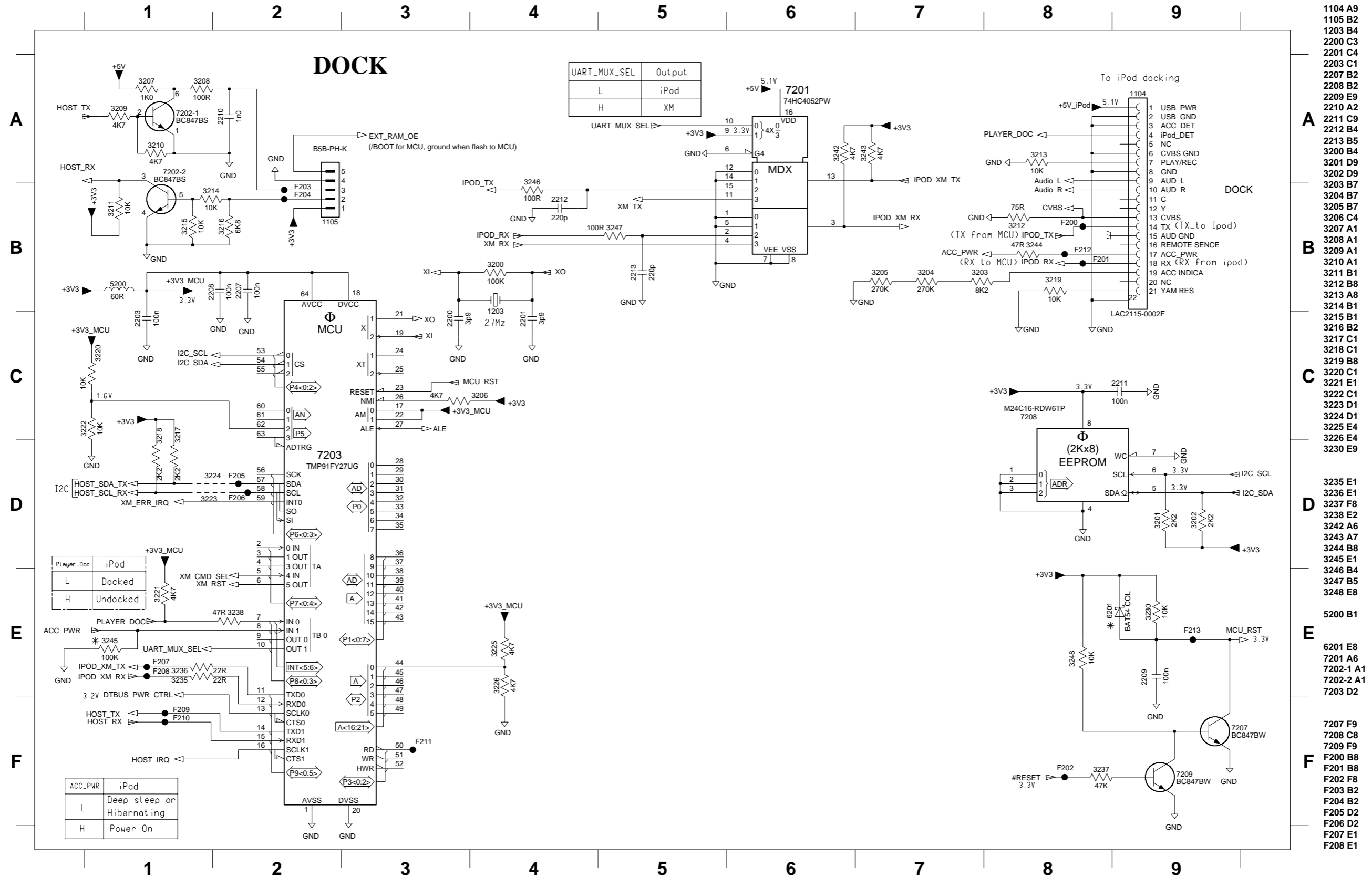
Page 25 [H5] from 1103 of AV P.C.B.

* Components having special characteristics are marked Δ and must be replaced with parts having specifications equal to those originally installed.
 * Schematic diagram is subject to change without notice.

XM (2/2)

The first digit of a component indicates the component type.

1xxx : Connector 3xxx : Resistor 5xxx : Coil 7xxx : IC, Transistor, FET
 2xxx : Capacitor 4xxx : SMD jumper 6xxx : Diode 9xxx : Wire jumper



- 1104 A9
- 1105 B2
- 1203 B4
- 2200 C3
- 2201 C4
- 2203 C1
- 2207 B2
- 2208 B2
- 2209 E9
- 2210 A2
- 2211 C9
- 2212 B4
- 2213 B5
- 3200 B4
- 3201 D9
- 3202 D9
- 3203 B7
- 3204 B7
- 3205 B7
- 3206 C4
- 3207 A1
- 3208 A1
- 3209 A1
- 3210 A1
- 3211 B1
- 3212 B8
- 3213 A8
- 3214 B1
- 3215 B1
- 3216 B2
- 3217 C1
- 3218 C1
- 3219 B8
- 3220 C1
- 3221 E1
- 3222 C1
- 3223 D1
- 3224 D1
- 3225 E4
- 3226 E4
- 3230 E9
- 3235 E1
- 3236 E1
- 3237 F8
- 3238 E2
- 3242 A6
- 3243 A7
- 3244 B8
- 3245 E1
- 3246 B4
- 3247 B5
- 3248 E8
- 5200 B1
- 6201 E8
- 7201 A6
- 7202-1 A1
- 7202-2 A1
- 7203 D2
- 7207 F9
- 7208 C8
- 7209 F9
- F200 B8
- F201 B8
- F202 F8
- F203 B2
- F204 B2
- F205 D2
- F206 D2
- F207 E1
- F208 E1
- F209 F1
- F210 F1
- F211 F3
- F212 B8
- F213 E9

* Components having special characteristics are marked Δ and must be replaced with parts having specifications equal to those originally installed.
 * Schematic diagram is subject to change without notice.

DVR-C310

REPLACEMENT PARTS LIST

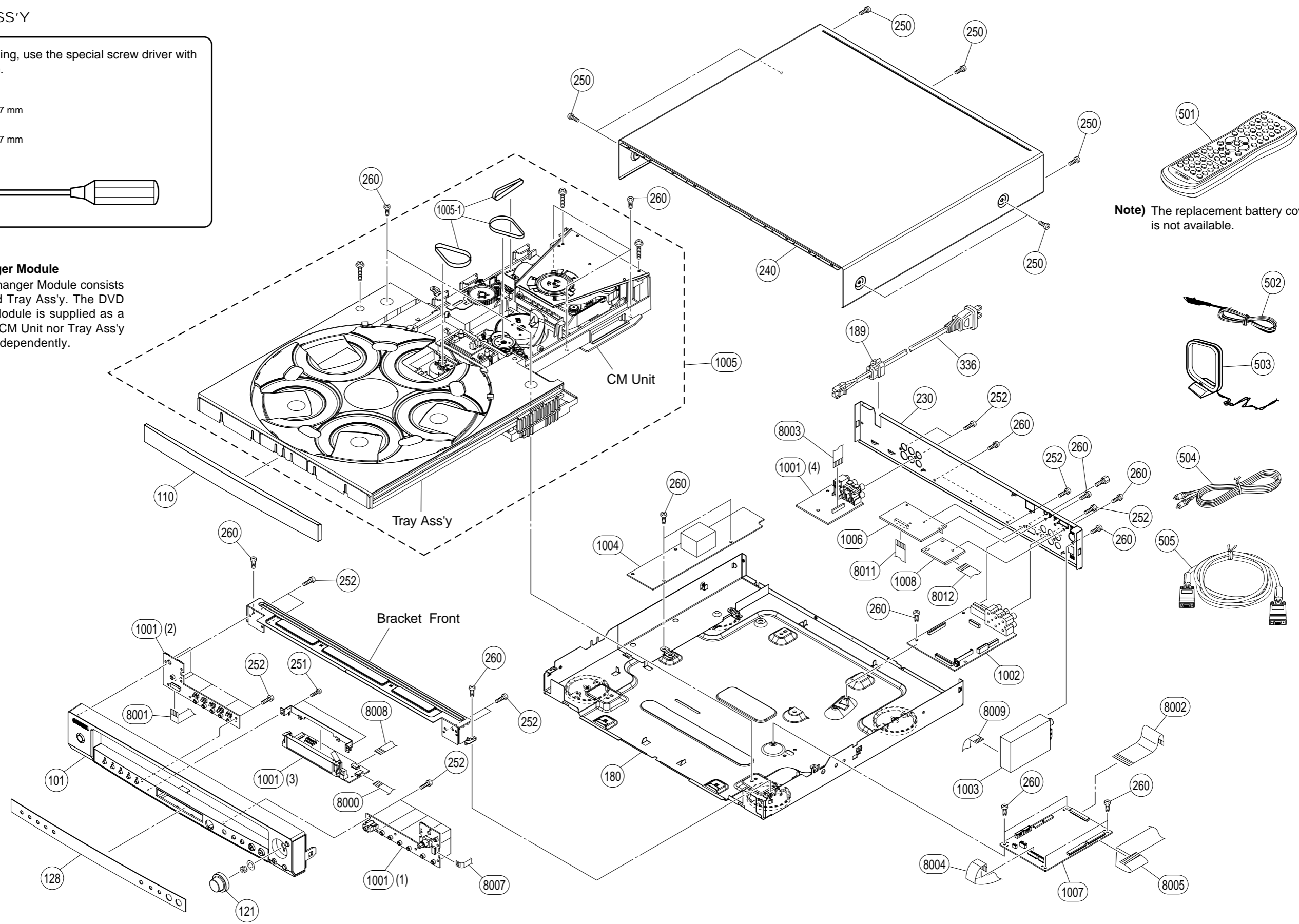
OVERALL ASS'Y

When disassembling, use the special screw driver with tip shape in figure.

T10 2.7 mm

T6 1.7 mm

DVD 5-Disc Changer Module
 The DVD 5-Disc Changer Module consists of the CM Unit and Tray Ass'y. The DVD 5-Disc Changer Module is supplied as a whole. Neither the CM Unit nor Tray Ass'y can be supplied independently.



Note) The replacement battery cover is not available.

● REPLACEMENT PARTS LIST

■ WARNING

- Components having special characteristics are marked △ and must be replaced with parts having specifications equal to those originally installed.

Ref. No.	Part No.	Description	Remarks	Markets
* 101	AAX78870	FRONT ASS'Y	BL	3141 079 39621
* 101	AAX78860	FRONT ASS'Y	SI	3141 079 39611
110	AAX67280	TRAY COVER	BL	3139 254 02182
110	AAX67270	TRAY COVER	SI	3139 244 06141
121	AAX67300	KNOB VOLUME	BL	3139 254 02172
121	AAX67290	KNOB VOLUME	SI	3139 244 06181
* 128	AAX78780	WINDOW		3139 244 12781
* 180	AAX78850	FRAME ASS'Y		3141 079 32481
189	AAX53540	BUSH	450H259010	3139 114 26671
* 230	AAX78880	REAR PANEL		3139 241 25021
240	AAX59320	TOP COVER	BL	3139 241 22041
240	AAX67260	TOP COVER	SI	3139 111 31041
250	AAX23640	PAN HEAD TORX S-TIGHT SCREW	BL 3x6 MFZN2B3	4822 502 13988
250	AAX23650	PAN HEAD TORX S-TIGHT SCREW	SI 3x6 MFZN2W3	2511 077 01039
251	AAX59360	PAN HEAD TORX S-TIGHT SCREW	2x8 MFZN2B3	2511 076 50003
252	AAX53520	PAN HEAD TORX P-TIGHT SCREW	3x8 MFZN2B3	2511 076 50012
260	AAX23640	PAN HEAD TORX S-TIGHT SCREW	3x6 MFZN2B3	2511 077 00039
△ 336	AAX47750	POWER CABLE	1.8m	2422 070 98235
* 1001	AAX78770	P.C.B. ASS'Y	FRONT	3139 248 88101
* 1002	AAX78730	P.C.B. ASS'Y	AV	3139 248 88121
* 1003	AAX78710	AM/FM TUNER	ENG06806QRF	2422 542 00032
△ * 1004	AAX78910	POWER SUPPLY UNIT	06P25	3139 247 13182
* 1005	AAX78720	DVD 5-DISC CHANGER MODULE	SD5.5	3139 247 13121
1005-1	VQ776900	BELT	V	
* 1006	AAX78760	P.C.B. ASS'Y	XM	3139 248 89801
* 1007	AAX78750	P.C.B. ASS'Y	MONO SD6.5	3139 248 88041
* 1008	AAX78740	P.C.B. ASS'Y	HDMI	3139 248 88051
* 8000	AAX78820	FLEXIBLE FLAT CABLE	9P 180mm P=1mm	3139 241 02681
* 8001	AAX78800	FLEXIBLE FLAT CABLE	15P 220mm P=1mm	3139 241 00801
8002	AAX67190	FLEXIBLE FLAT CABLE	30P 60mm P=1mm	3139 111 04271
* 8003	AAX78830	FLEXIBLE FLAT CABLE	20P 280mm P=1mm	3139 241 02731
8004	AAX58220	FLEXIBLE FLAT CABLE	16P 220mm P=1mm	3139 111 02421
8005	AAX67200	FLEXIBLE FLAT CABLE	30P 280mm P=1mm	3139 111 04571
8007	AAX67210	FLEXIBLE FLAT CABLE	7P 480mm P=1mm	3139 241 00701
8008	AAX67220	FLEXIBLE FLAT CABLE	9P 400mm P=1mm	3139 241 00761
* 8009	AAX78790	FLEXIBLE FLAT CABLE	10P 80mm P=1mm	3139 111 02721
* 8011	AAX78810	FLEXIBLE FLAT CABLE	21P 80mm P=1mm	3139 241 01561
* 8012	AAX78840	FLEXIBLE FLAT CABLE	50P 280mm P=0.5mm	3139 241 02741
		ACCESSORY		
* 501	AAX78900	REMOTE CONTROL	BL	3139 238 13551
* 501	AAX78890	REMOTE CONTROL	SI	3139 238 13541
502	AAX67120	INDOOR FM ANTENNA		2422 076 00546
503	AAX67100	AM LOOP ANTENNA		2422 549 45386
504	AAX22970	VIDEO PIN CABLE	1P YE 1.5m 1pc	3104 108 45432
505	AAX67250	SYSTEM CONTROL CABLE	D-SUB 15P 4m 1pc	2422 076 00671
		BATTERY	SUM-3N 2pcs	

* New Parts

DVR-C310

