

SmallRig



Rotating Left-Side Handle with ARRI Rosette

旋转侧手柄（左手，适配阿莱齿轮）



Operating Instruction | 操作指引

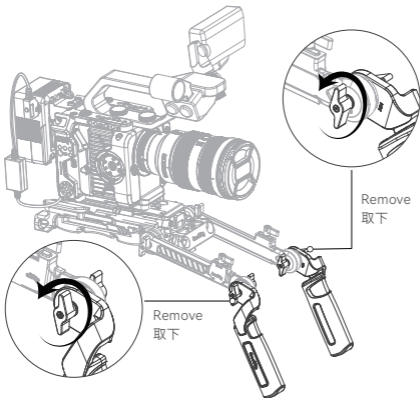
- Thank you for purchasing SmallRig's product.
感谢您购买 SmallRig 产品。
- Please read this Operating Instruction carefully.
使用本产品之前，请仔细阅读操作指引。
- Please follow the safety warnings.
请注意所有警告提示并遵循使用操作指引的所有指令。

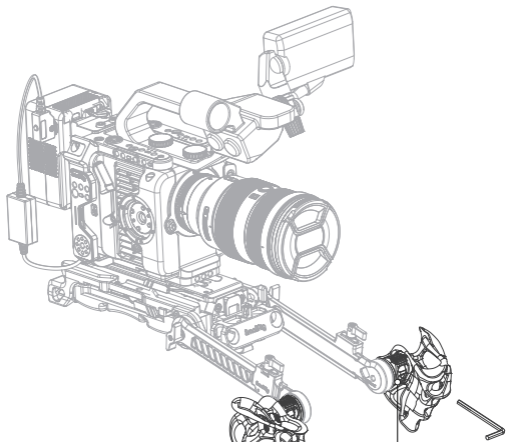
In the Box / 包装清单

Side Handle 侧手柄	× 1	Allen Wrench 六角扳手	× 1
Guarantee Card 保修卡	× 1		

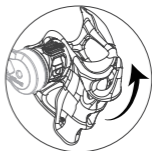
Installation Instructions / 安装步骤

1. Use with shoulder rigs (requires extension arms with ARRI rosette)
搭配肩扛使用（需搭配内置阿莱齿轮接口的延长臂）





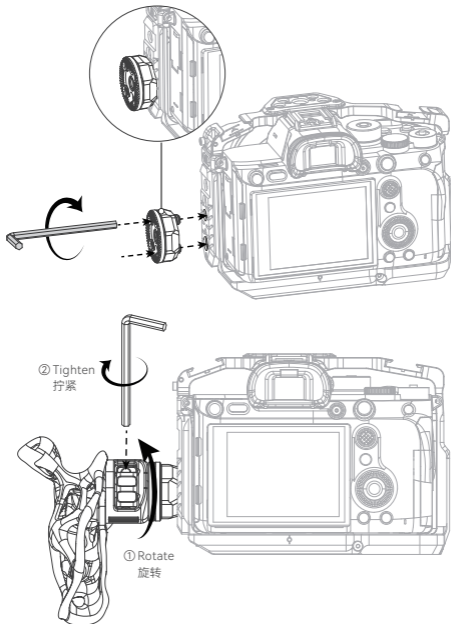
② Tighten
拧紧



① Rotate
旋转

2. Use with cages (requires ARRI-standard rosette adapter)

搭配拓展框使用（需搭配阿莱齿轮转接件）



When adjusting the angle, always hold the camera with your hand for safety.

如果您需要调整角度，在按压旋转按钮时请务必用手托住相机机身。

Specifications / 产品参数

Product Dimensions 产品尺寸	3.7 × 3.5 × 3.2in 94.7 × 90.0 × 82.0mm
Product Weight 产品重量	4.7 ± 0.2oz 132 ± 5.0g
Material(s) 主要材质	Wood, Aluminum Alloy 木头、铝合金

Specifications subject to change without prior notice. Please refer to the physical product for the most up-to-date information.

技术参数如有改动，以实物为准，恕不另行通知。

Manufacturer Email: support@smallrig.com

Manufacturer: Shenzhen Leqi Innovation Co., Ltd.

Address: Rooms 101, 701, 901, Building 4, Gonglianfuji Innovation Park, No. 58, Ping'an Road, Dafu Community, Guanlan Street, Longhua District, Shenzhen, Guangdong, China.

制造商：深圳市乐其创新股份有限公司

地址：中国广东省深圳市龙华区观澜街道大富社区平安路58号共联富基创新园4栋101、701、901

Consignor: Shenzhen LC Co., Ltd.

Address: Room 201, Building 4, Gonglianfuji Innovation Park, No. 58, Ping'an Road, Dafu Community, Guanlan Street, Longhua District, Shenzhen, Guangdong, China.

委托商：深圳市乐其创新股份有限公司

地址：中国广东省深圳市龙华区观澜街道大富社区平安路58号共联富基创新园4栋201

执行标准：GB/T 26572-2011



中国制造

Made in China