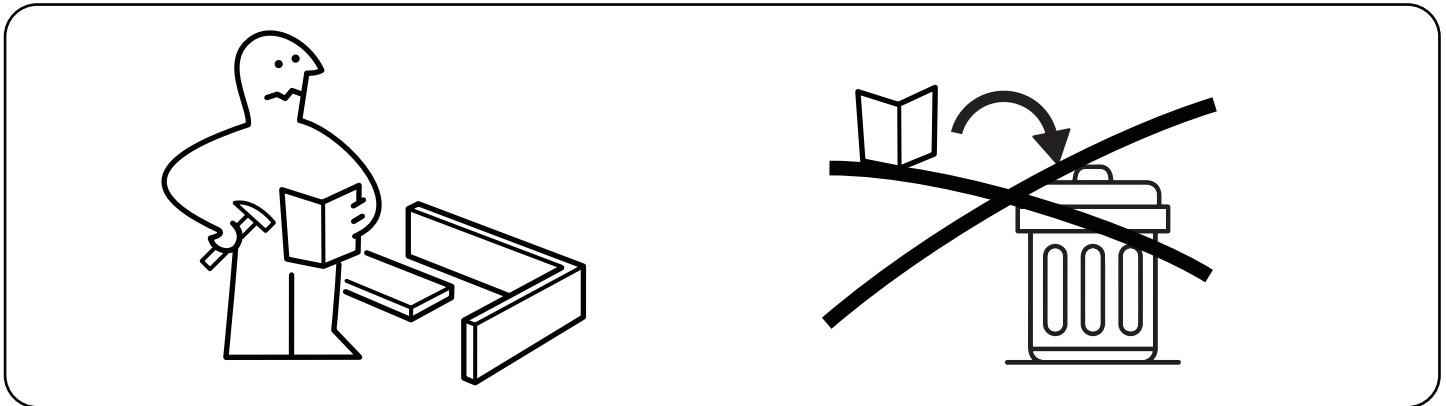


IMPORTANT, RETAIN FOR FUTURE REFERENCE: READ CAREFULLY  
WICHTIG, FÜR SPÄTERE NACHSCHLAGE AUFBEWAHREN: SORGFÄLTIG LESEN  
IMPORTANTE, GUARDAR PARA REFERENCIA FUTURA: LEER ATENTAMENTE  
IMPORTANTE, CONSERVARE PER RIFERIMENTI FUTURI: LEGGERE ATTENTAMENTE  
IMPORTANT, À CONSERVER POUR RÉFÉRENCE FUTURE : LIRE ATTENTIVEMENT



Assemble on a flat and solid surface. To avoid the unstable surface affecting the overall frame stability during installation.

Montieren Sie auf einer ebenen und festen Oberfläche. Um zu verhindern, dass eine unebene Oberfläche während der Montage die Gesamtrahmen-Stabilität beeinträchtigt.

Ensamblar en una superficie plana y sólida. Afin d'éviter que la surface inégale n'affecte la stabilité générale du cadre lors de l'installation.

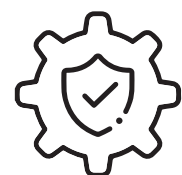
Assemblare su una superficie piana e solida. Per evitare che una superficie irregolare influisca sulla stabilità complessiva della struttura durante l'installazione.

Assembler sur une surface plate et solide. Para evitar que la instalación en una superficie irregular afecte la estabilidad general del marco.

Professional installation is highly recommended.  
Eine professionelle Installation wird dringend empfohlen.  
Une installation professionnelle est fortement recommandée.  
Si raccomanda vivamente l'installazione professionale.  
Se recomienda altamente la instalación profesional.



Periodically Check That All Components Are Tightly Secured.  
Überprüfen Sie Regelmäßig, Dass Alle Komponenten Fest Gesichert Sind.  
Vérifiez Périodiquement Que Tous Les Composants Sont Bien Fixés.  
Controllare Periodicamente Che Tutti I Componenti Siano Ben Fissati.  
Verifique Periódicamente Que Todos Los Componentes Estén Bien Asegurados.



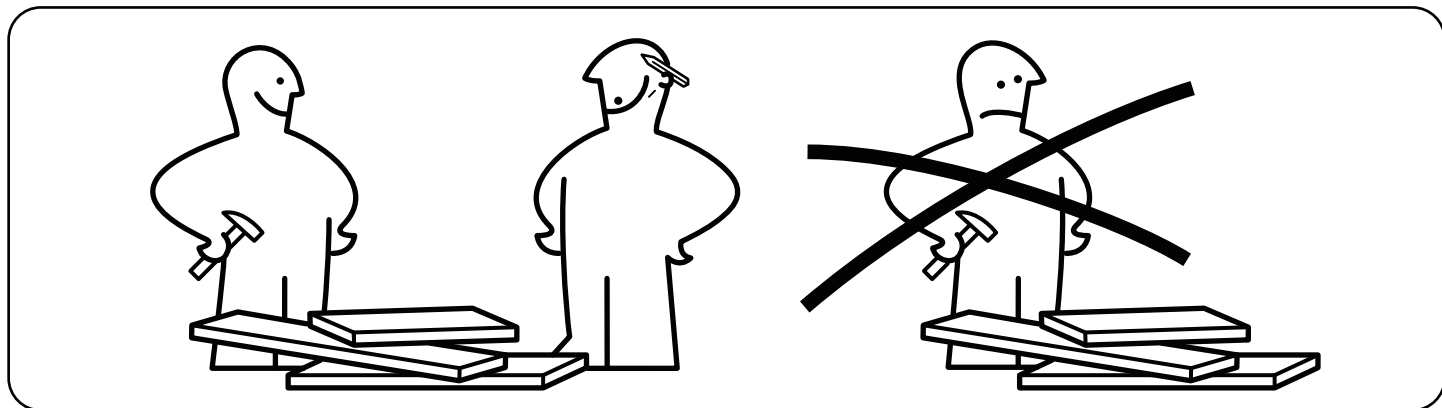
It is recommended that multiple people assemble this product.

Es wird empfohlen, dass mehrere Personen dieses Produkt zusammenbauen.

Il est recommandé que plusieurs personnes assemblent ce produit.

Si raccomanda che più persone assemblino questo prodotto.

Se recomienda que varias personas ensamblen este producto.



Please contact us if parts of your furniture are missing.

Bitte kontaktieren Sie uns, wenn Teile Ihrer Möbel fehlen.

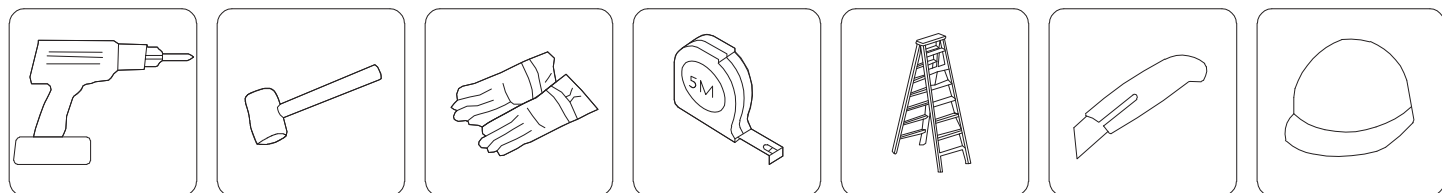
Por favor contáctenos si faltan piezas de sus muebles.

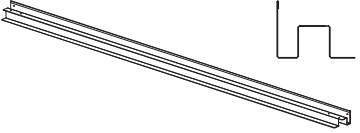
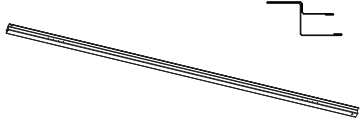
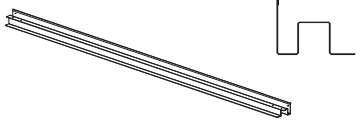

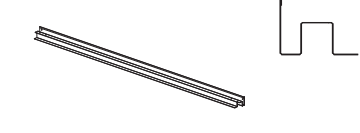


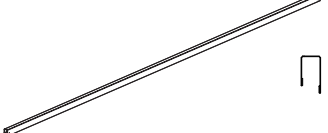



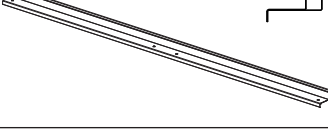
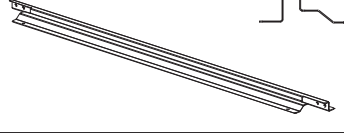
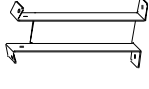
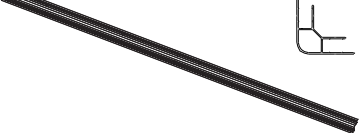
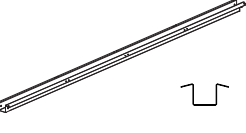
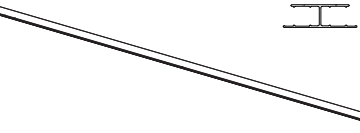

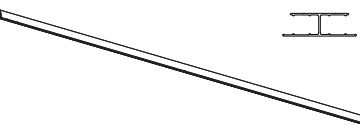
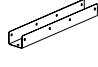
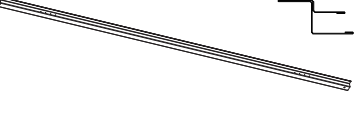

Si prega di contattarci se mancano parti dei vostri mobili.

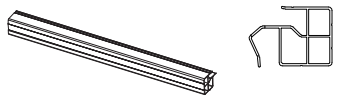
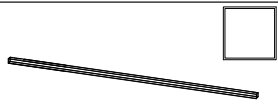


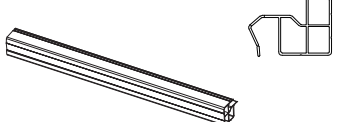
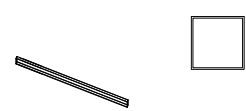
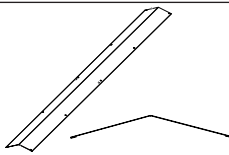
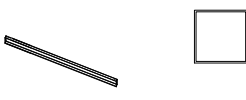
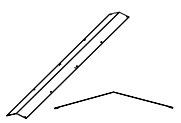
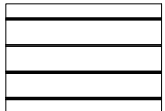

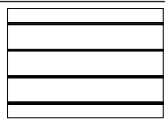
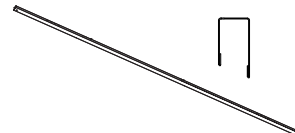
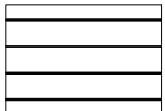

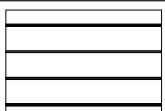
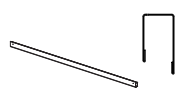
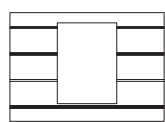

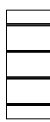
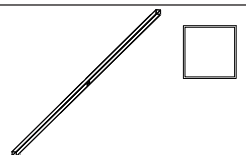
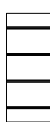
Veillez nous contacter si des pièces de vos meubles manquent.

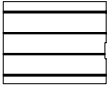
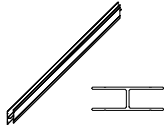
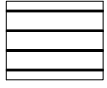
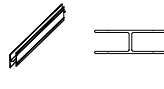
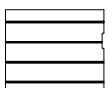
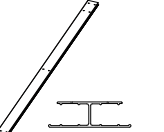
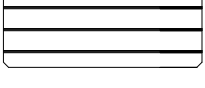
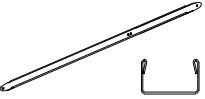
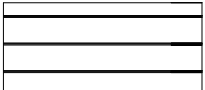

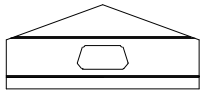
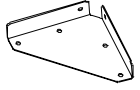
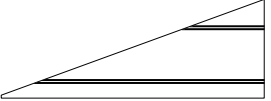
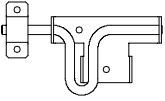
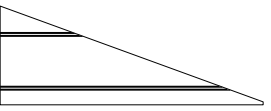
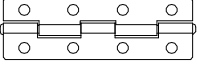
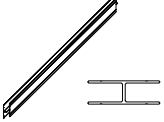
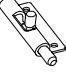

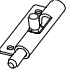

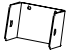



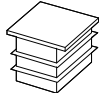
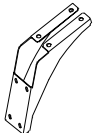
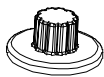
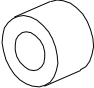
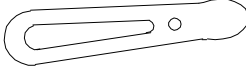

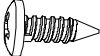
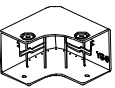

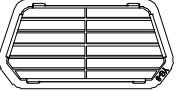
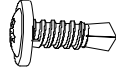


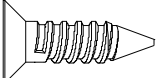
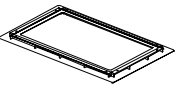
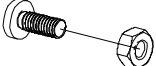



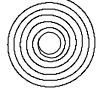
Please have the following auxiliary tools ready:

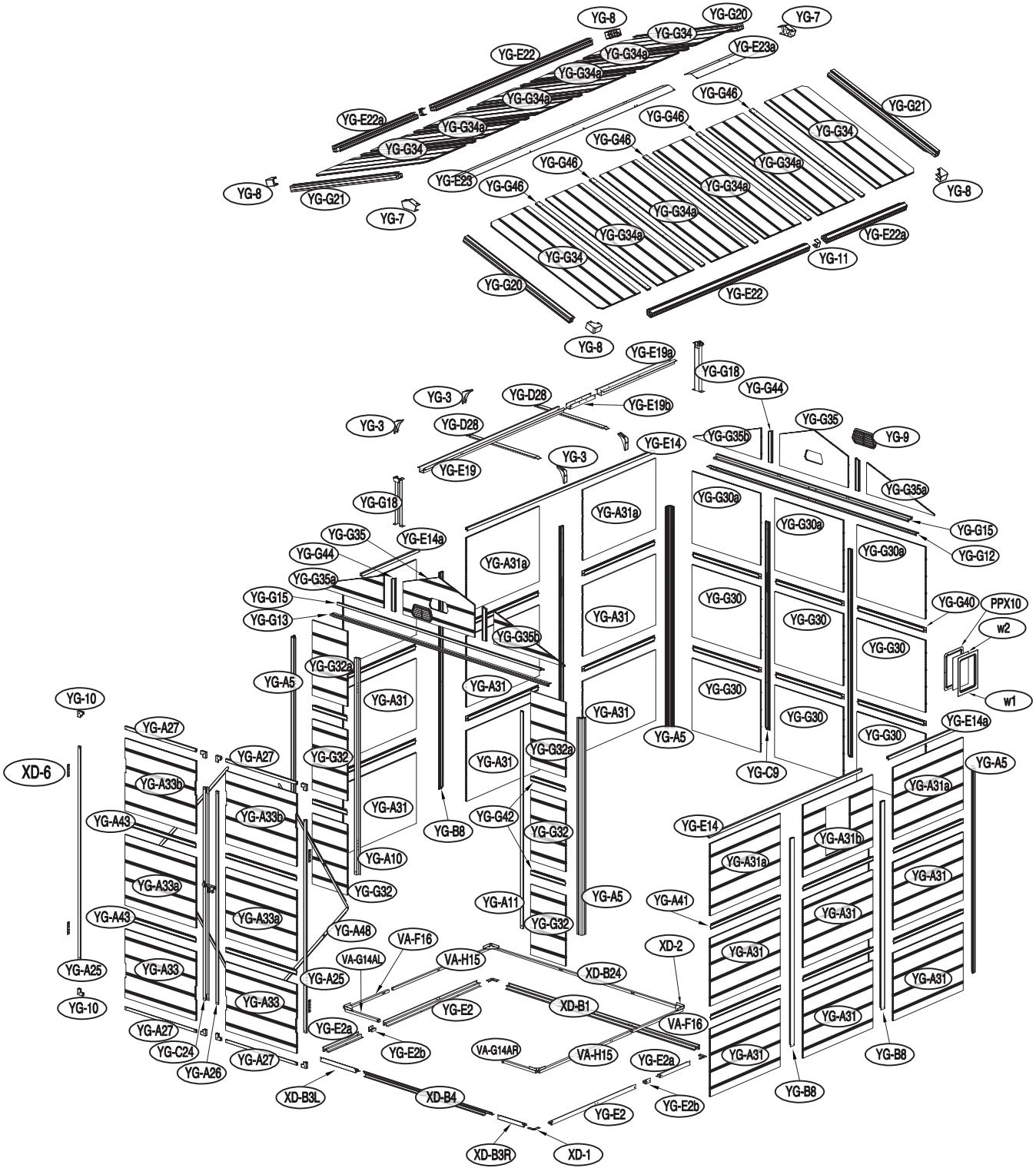


Item no.	Reference Image	Qty.	Item no.	Reference Image	Qty.
<b>XD-B1</b>		<b>X1</b>	<b>YG-A11</b>		<b>X1</b>
<b>YG-E2</b>		<b>X2</b>	<b>YG-G12</b>		<b>X1</b>
<b>YG-E2a</b>		<b>X2</b>	<b>YG-G13</b>		<b>X1</b>
<b>YG-E2b</b>		<b>X2</b>	<b>YG-E14</b>		<b>X2</b>
<b>XD-B3R</b>		<b>X1</b>	<b>YG-E14a</b>		<b>X2</b>
<b>XD-B3L</b>		<b>X1</b>	<b>YG-G15</b>		<b>X2</b>
<b>XD-B4</b>		<b>X1</b>	<b>YG-G18</b>		<b>X2</b>
<b>YG-A5</b>		<b>X4</b>	<b>YG-E19</b>		<b>X1</b>
<b>YG-B8</b>		<b>X4</b>	<b>YG-E19a</b>		<b>X1</b>
<b>YG-C9</b>		<b>X2</b>	<b>YG-E19b</b>		<b>X1</b>
<b>YG-A10</b>		<b>X1</b>	<b>YG-G20</b>		<b>X2</b>



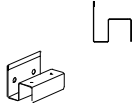
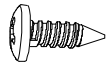
Item no.	Reference Image	Qty.	Item no.	Reference Image	Qty.
YG-G21		X2	VA-F16		X2
YG-E22		X2	VA-H15		X2
YG-E22a		X2	VA-G14AL		X1
YG-E23		X1	VA-G14AR		X1
YG-E23a		X1	YG-G30		X6
YG-C24		X1	YG-G30a		X3
YG-A25		X2	YG-A31		X12
YG-A26		X1	YG-A31a		X5
YG-A27		X4	YG-A31b		X1
YG-D28		X2	YG-G32		X4
XD-B24		X1	YG-G32a		X2

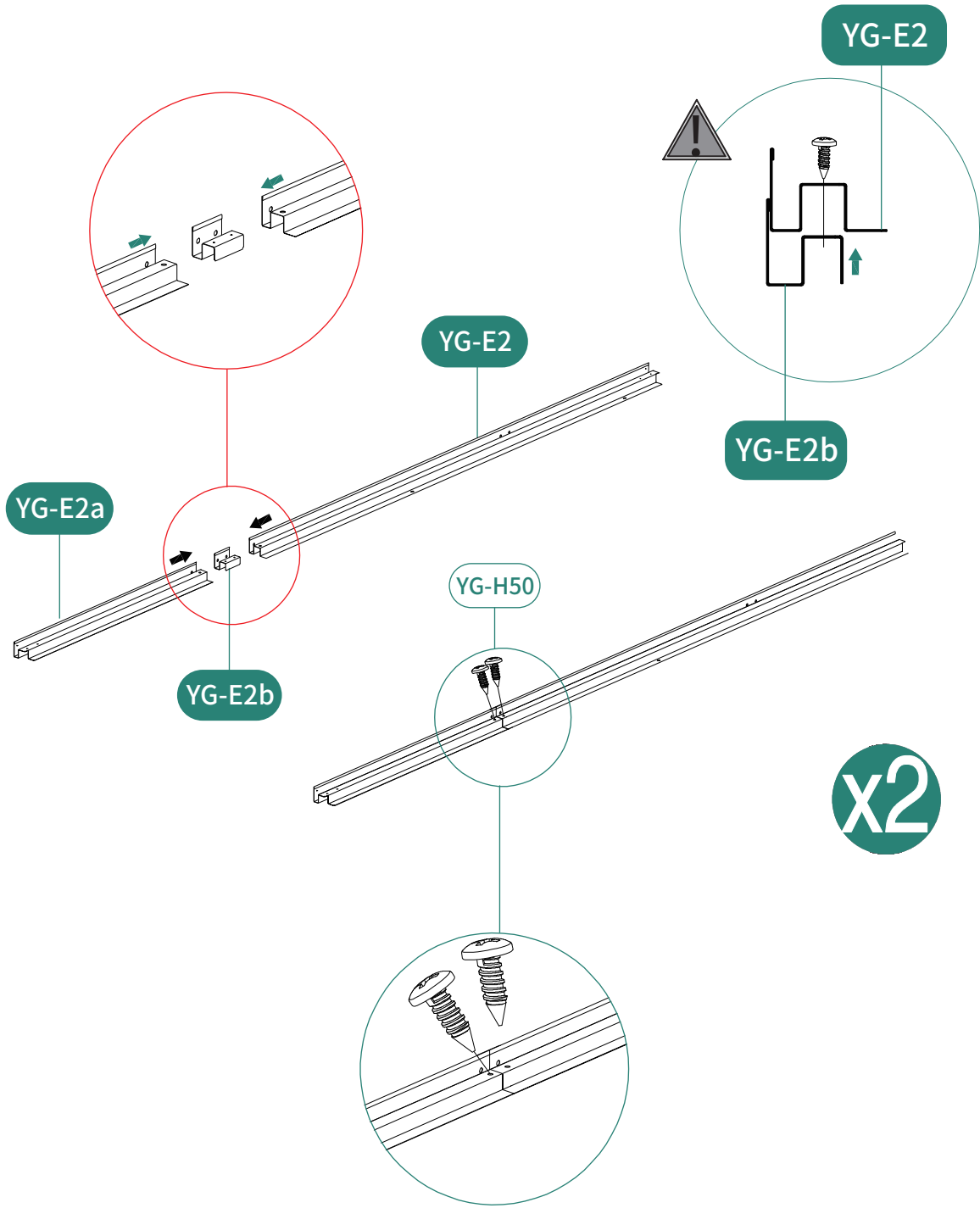
Item no.	Reference Image	Qty.	Item no.	Reference Image	Qty.
YG-A33		X2	YG-A43		X4
YG-A33a		X2	YG-G44		X4
YG-A33b		X2	YG-G46		X10
YG-G34		X4	YG-A48		X4
YG-G34a		X8	XD-1		X4
YG-G35		X2	XD-2		X4
YG-G35a		X2	XD-5		X1
YG-G35b		X2	XD-6		X4
YG-G40		X6	XD-7		X1
YG-A41		X12	XD-8		X1
YG-G42		X4	YG-1		X2

Item no.	Reference Image	Qty.	Item no.	Reference Image	Qty.
YG-2		X2	VA-43		X2
YG-3		X4	PA01		X3
YG-6		X2	CN-A33	 Auxiliary Tools	X2
YG-7		X2	YG-H50	 ST4.0X10	X474
YG-8		X4	YG-H51	 ST4.2X19	X9
YG-9		X2	YG-H52	 ST4.2X13	X32
YG-10		X8	YG-H53	 M4X10	X16
YG-11		X2	YG-H54	 ST4.0X12	X16
W1		X1	YG-H55	 M4X10	X18
PPX10		X1	YG-H56	 ST6.0X40	X12
W2		X1	VA-51		X1
			YG-54		X5



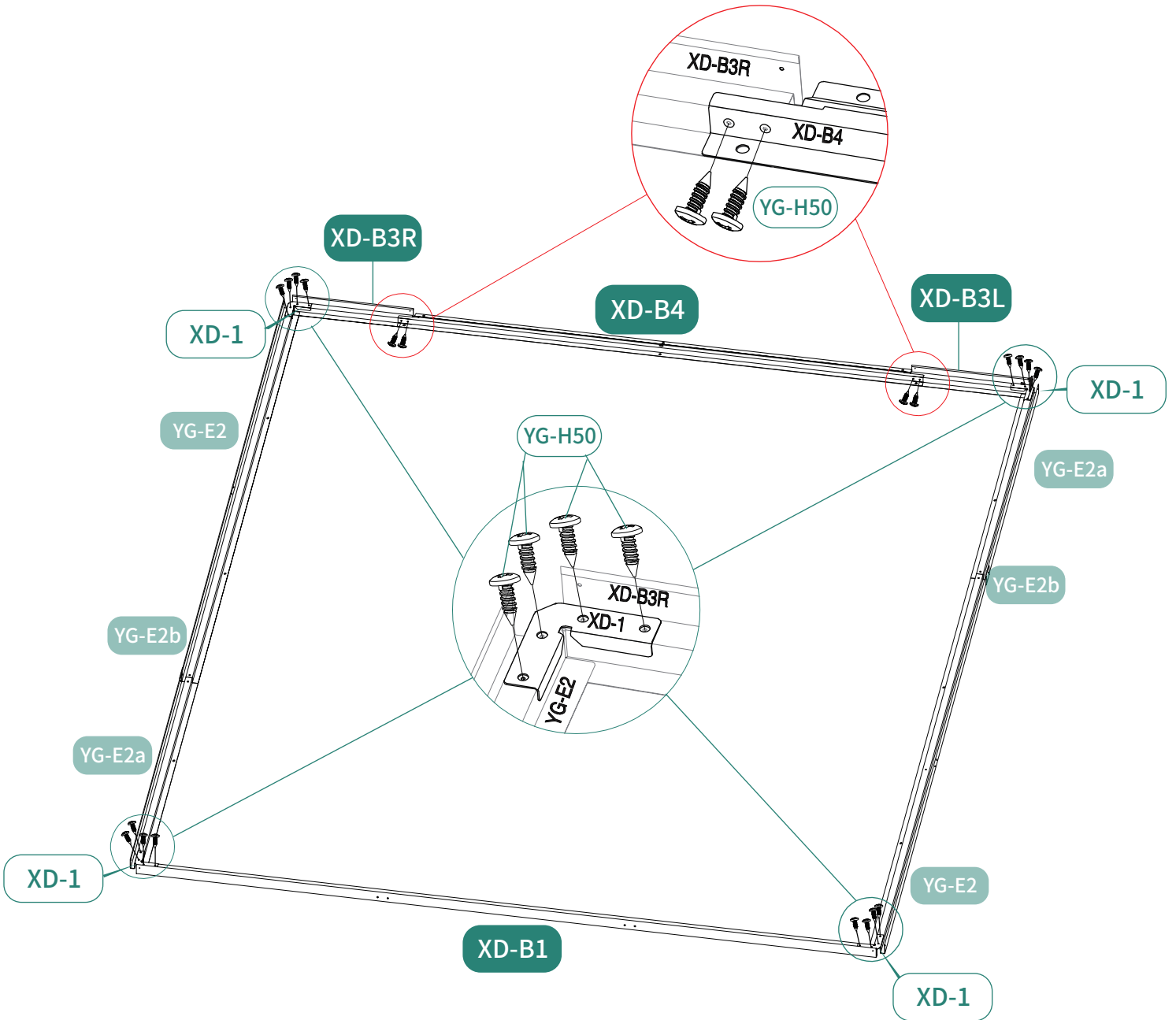
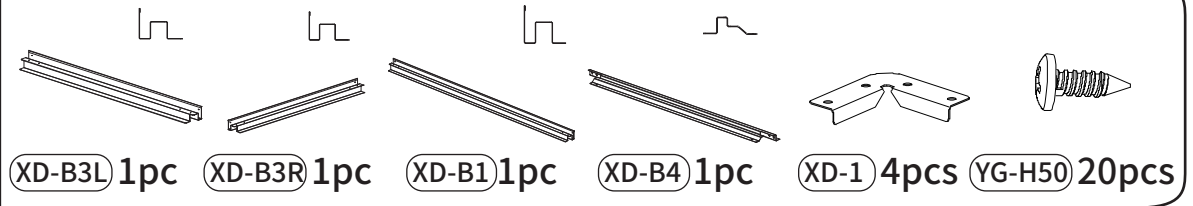
# 1

			
YG-E2 2pcs	YG-E2a 2pcs	YG-E2b 2pcs	YG-H50 4pcs






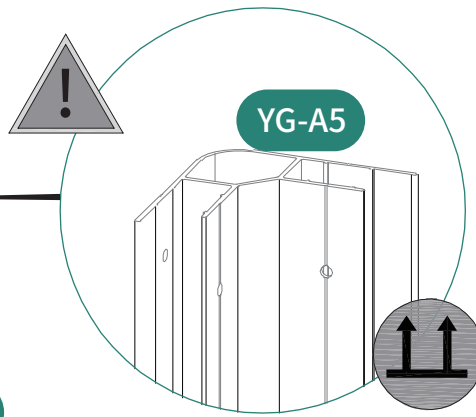
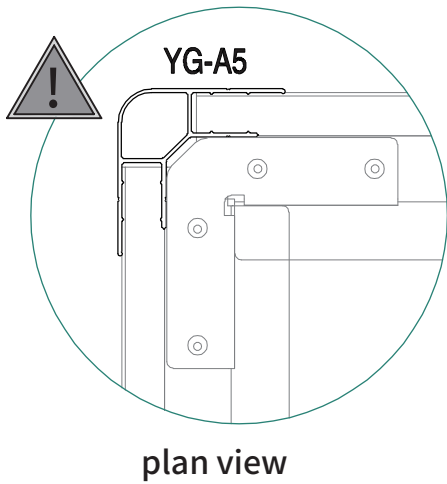
# 2



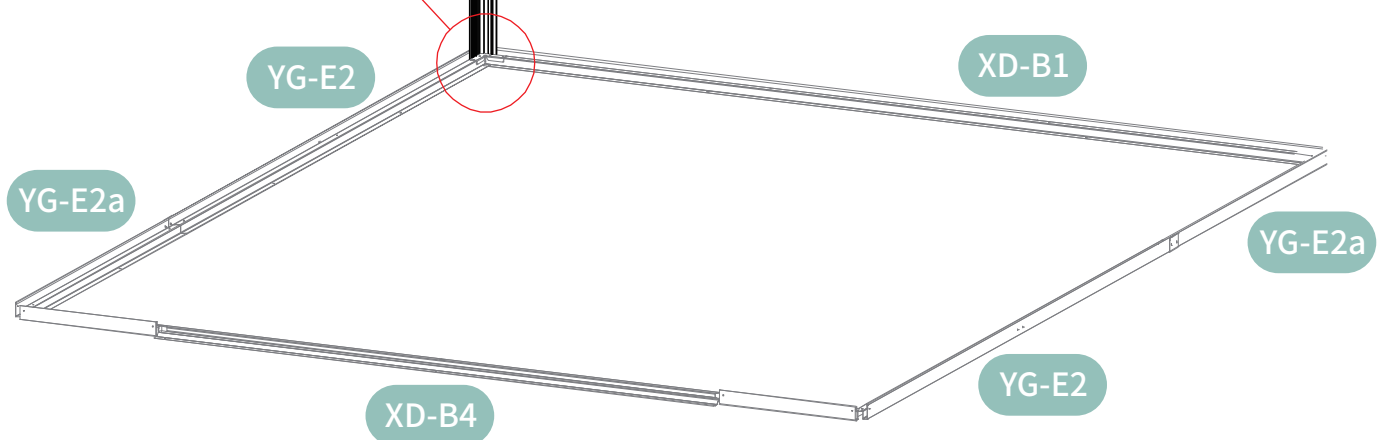
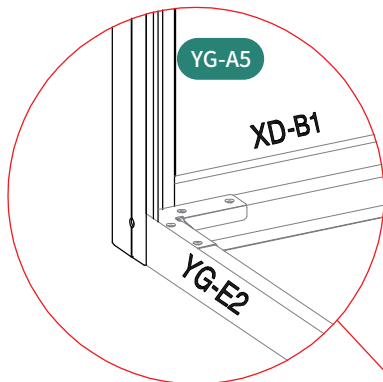
**3**



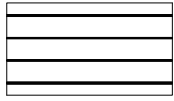
YG-A5 1pc



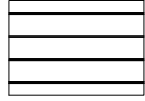
Observe the top and bottom positions of the columns



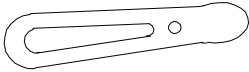
# 4



YG-A31 1pc



YG-G30 1pc

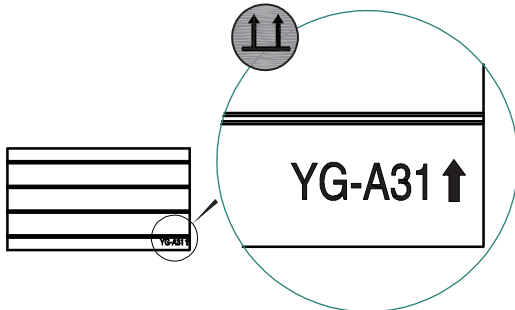
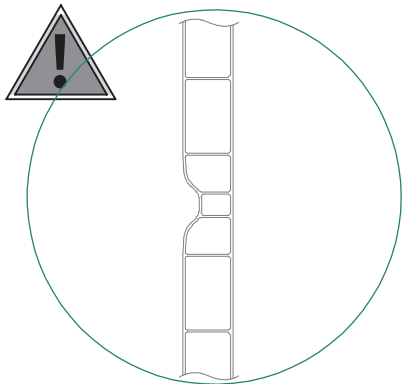


Auxiliary Tools

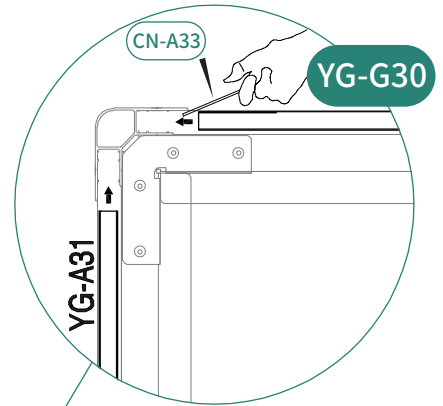
CN-A33

Assemble with the side with the grooves/indentations facing outward.

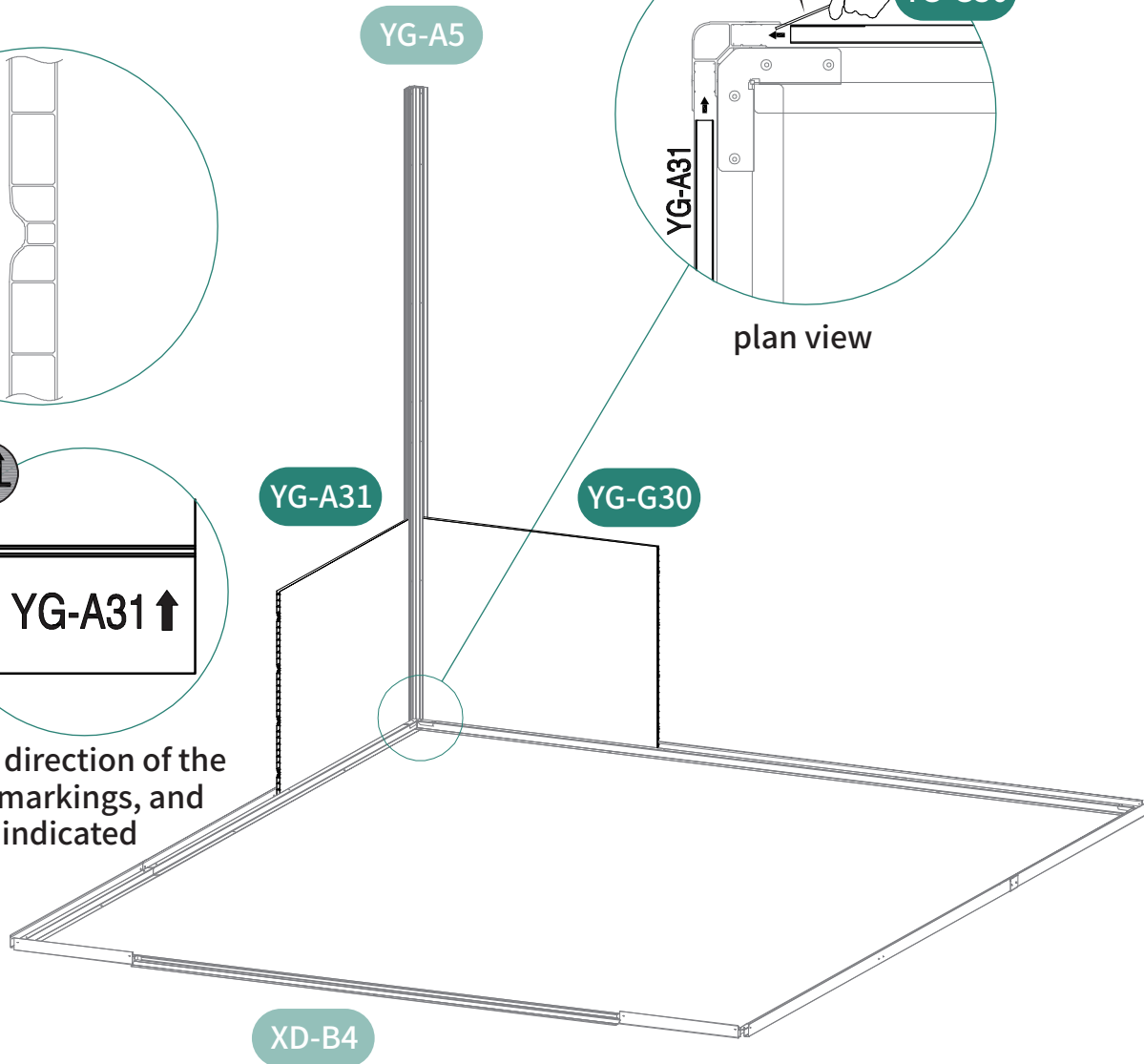
Ensure the panels are fully inserted into the slots to avoid issues with inserting subsequent panels.



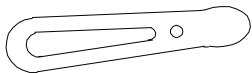
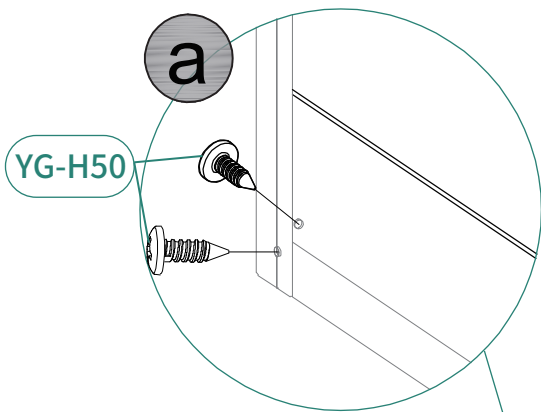
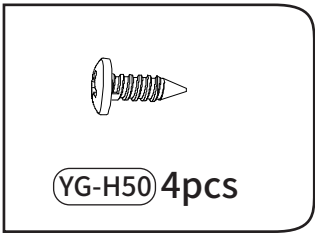
Pay attention to the direction of the arrow on the board markings, and follow the direction indicated by the arrow.



plan view

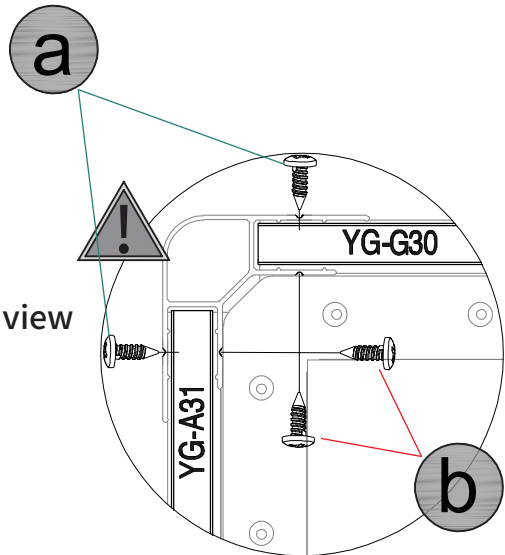


5

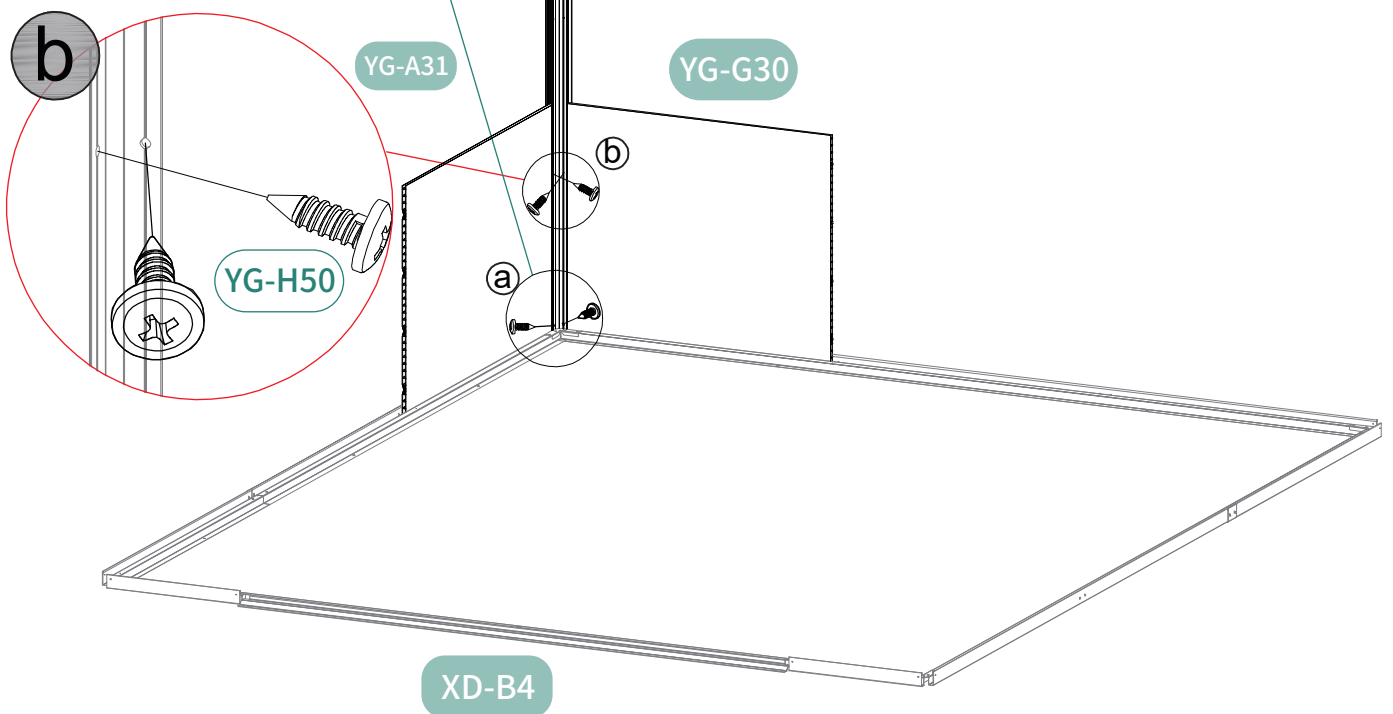


Auxiliary Tools

CN-A33



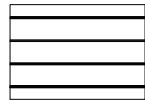
Ensure the panels are fully inserted into the slots to avoid issues with inserting subsequent panels.



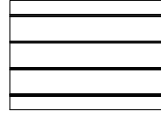
# 6



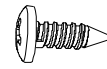
YG-A5 1pc



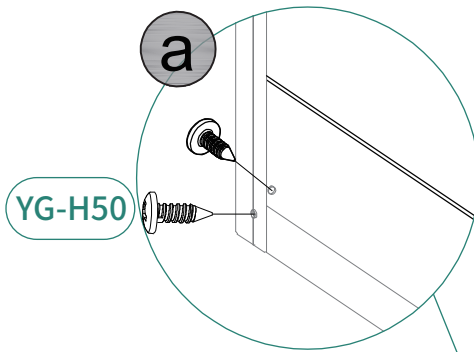
YG-A31 1pc



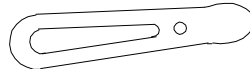
YG-G30 1pc



YG-H50 4pcs

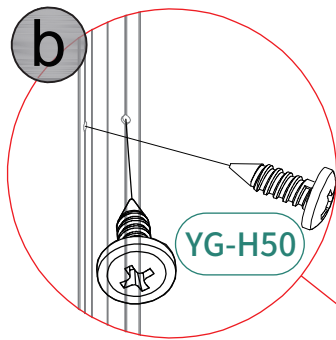


YG-H50

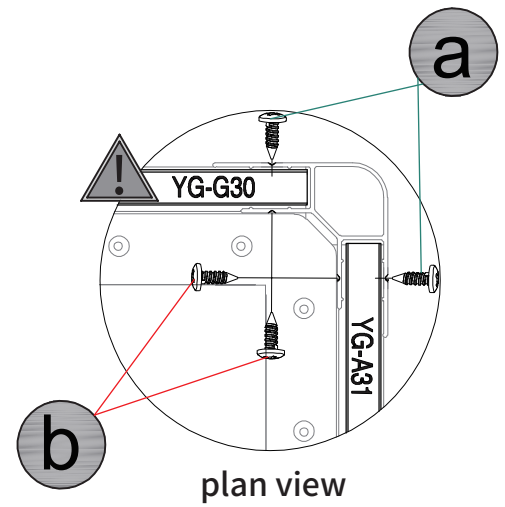


Auxiliary Tools

CN-A33



YG-H50



plan view

YG-A5

Ensure the panels are fully inserted into the slots to avoid issues with inserting subsequent panels.

YG-A31


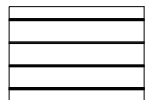

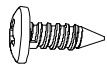
YG-G30

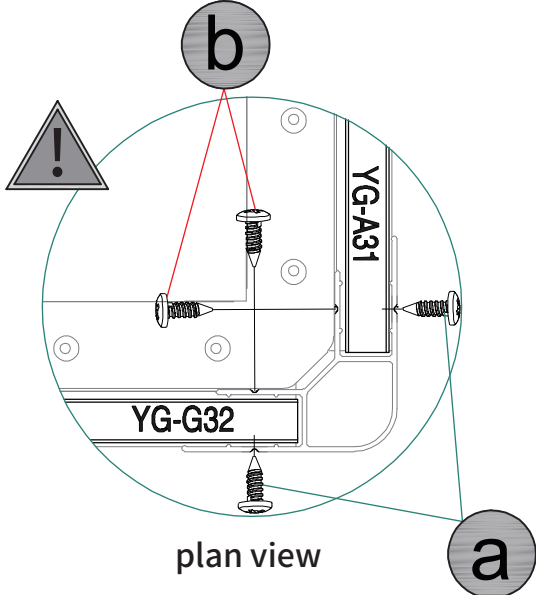
YG-G30

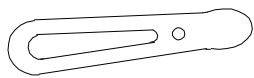
YG-A31

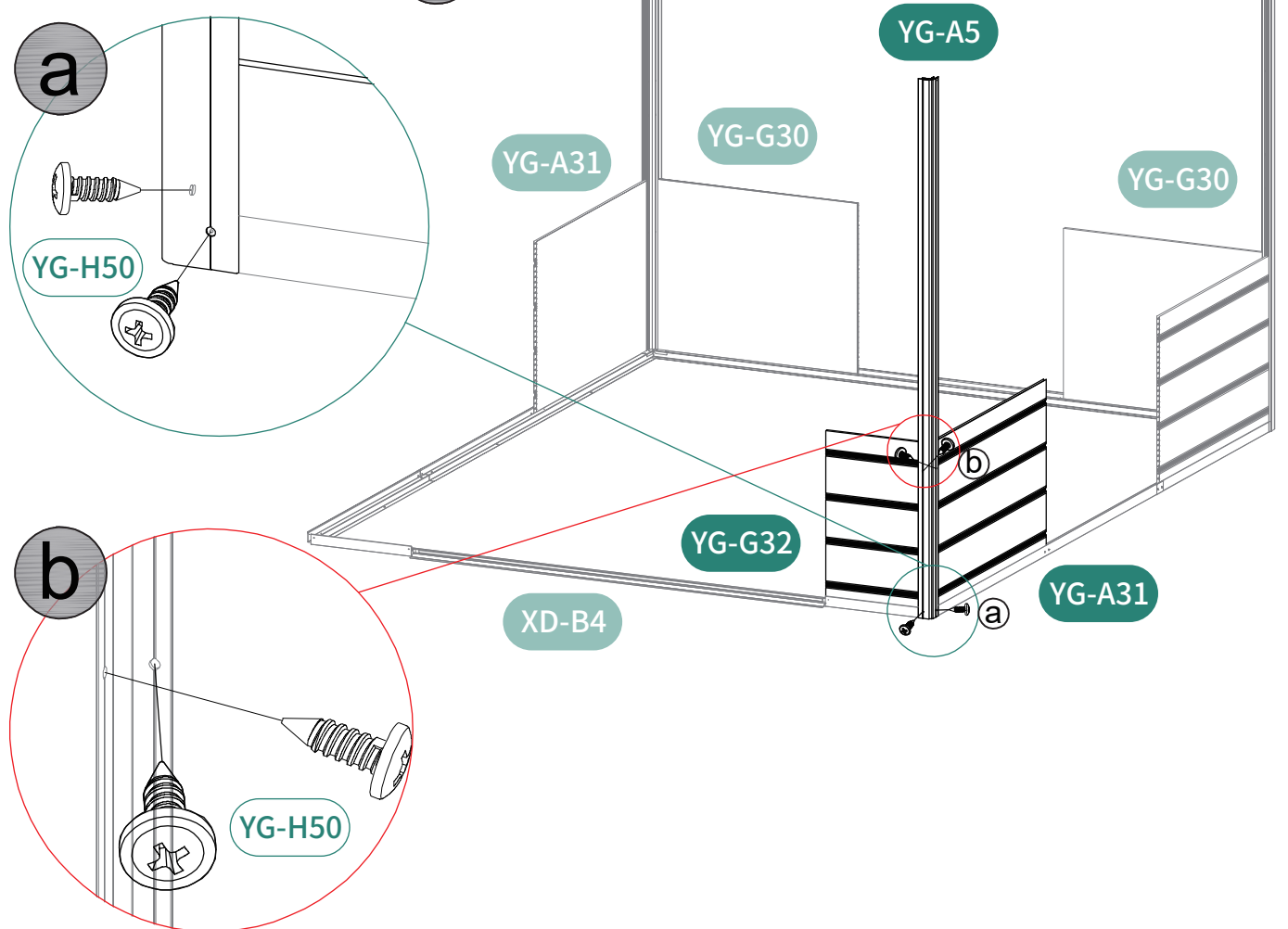
XD-B4

# 7

			
YG-A5 1pc	YG-A31 1pc	YG-G32 1pc	YG-H50 4pcs



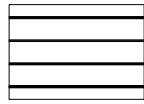
  
Auxiliary Tools  
CN-A33



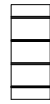
8



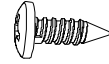
YG-A5 1pc



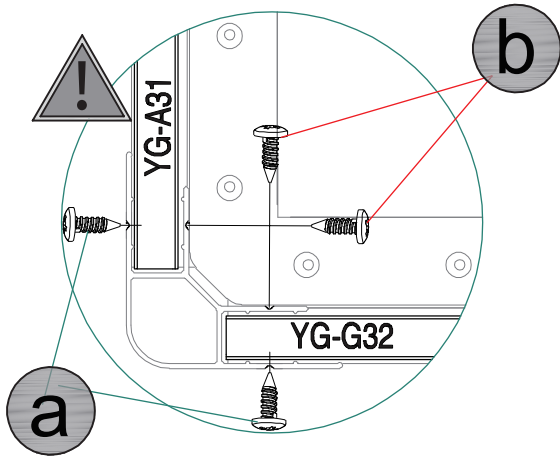
YG-A31 1pc



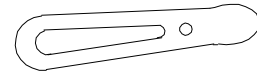
YG-G32 1pc



YG-H50 4pcs

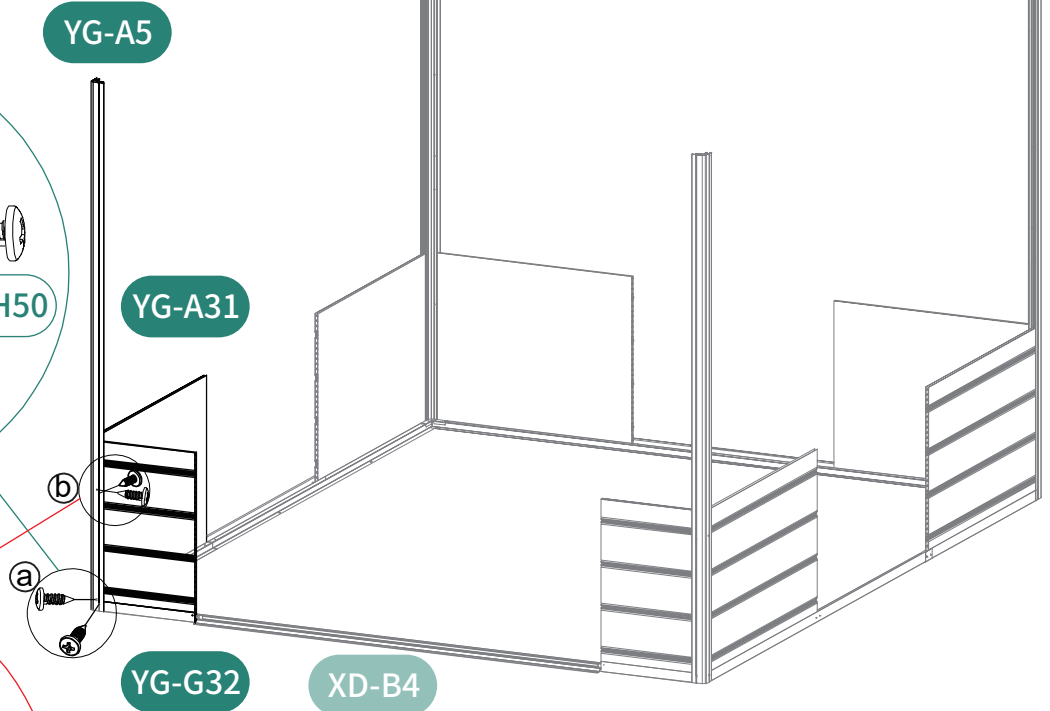
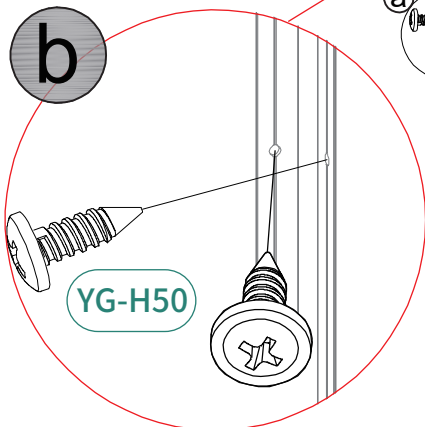
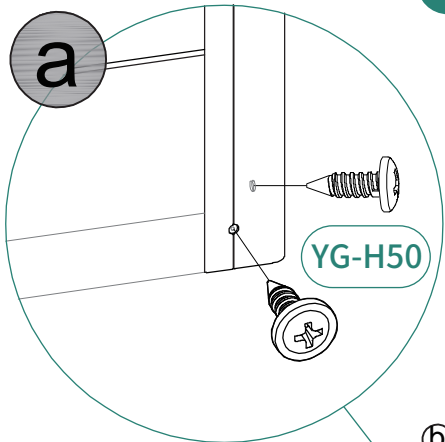


plan view

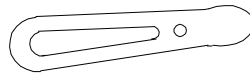
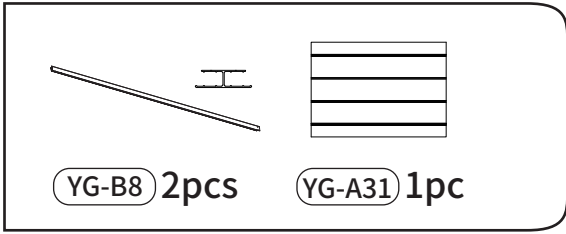


Auxiliary Tools

CN-A33



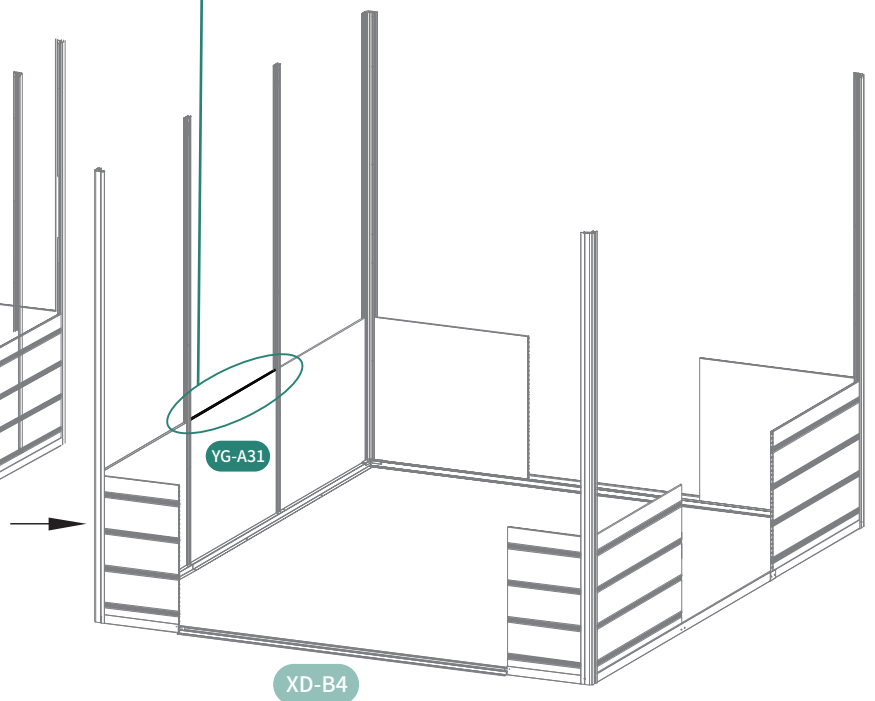
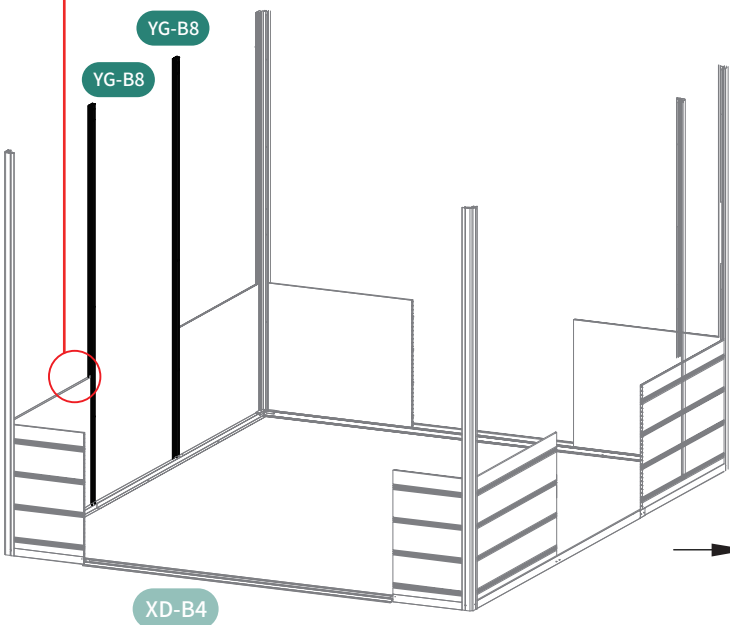
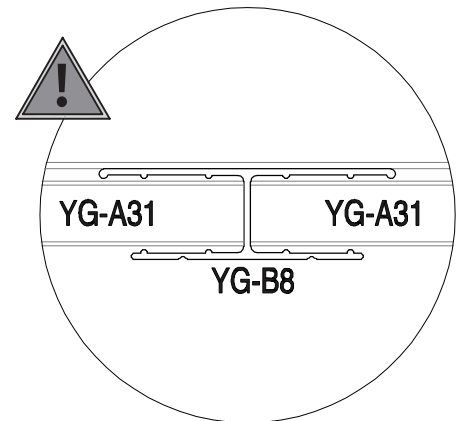
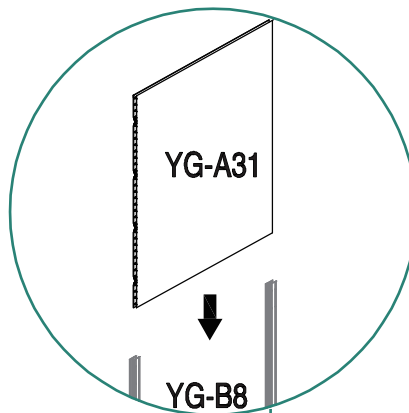
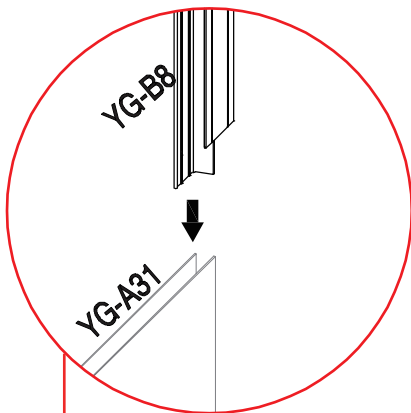
# 9



Auxiliary Tools

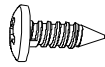
CN-A33

Ensure that the side panel is fully inserted into the slot. It is recommended to use a tool to assist with the operation.

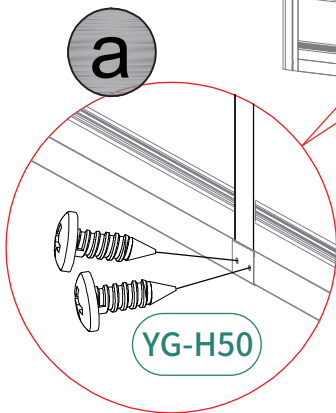
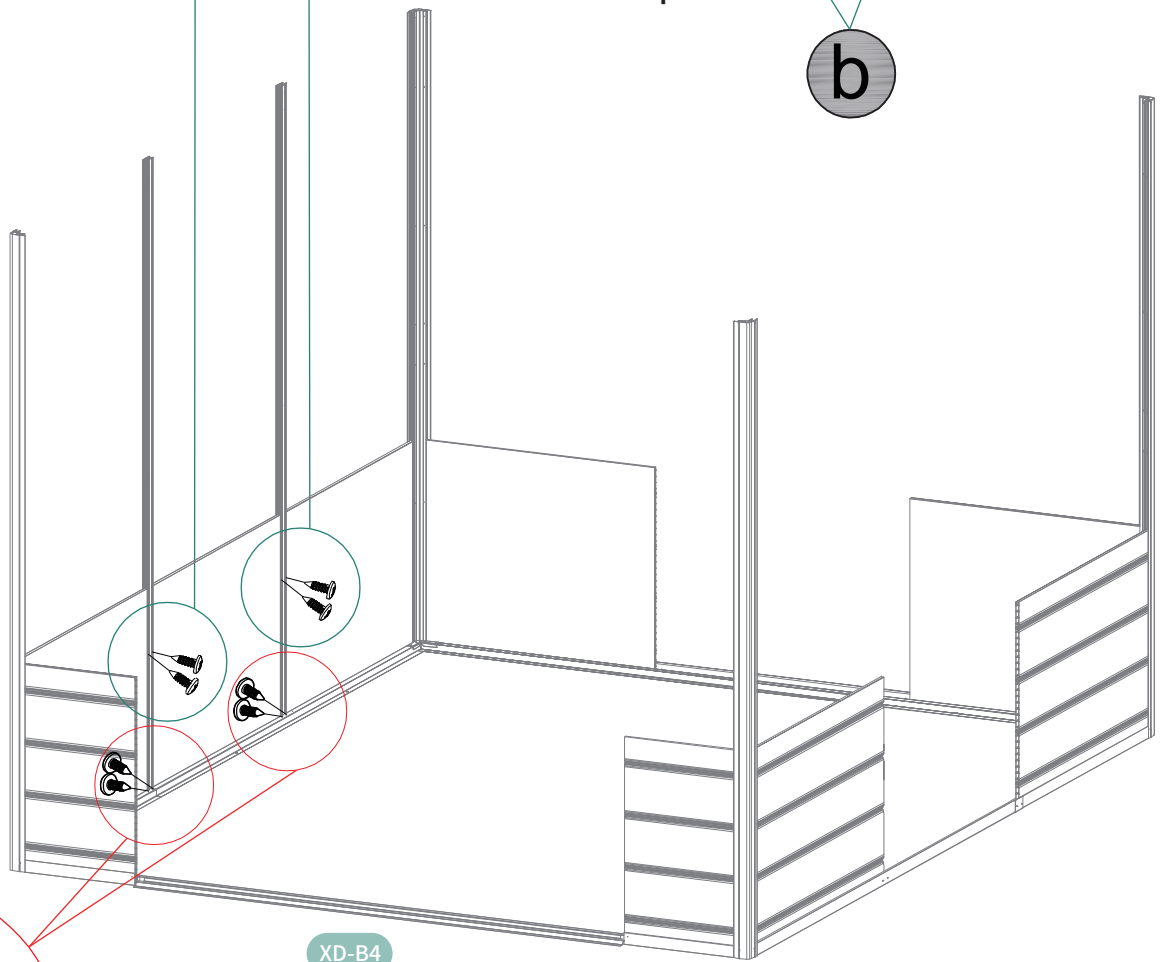
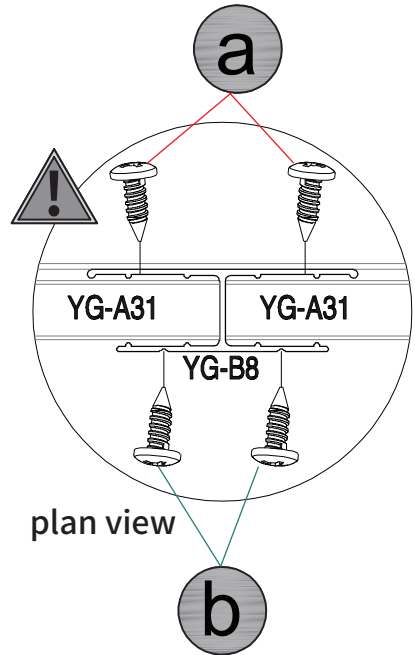
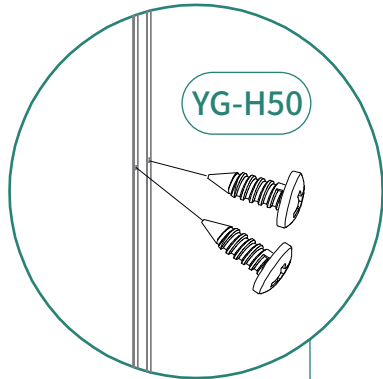




10



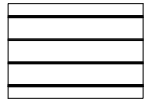
YG-H50 8pcs



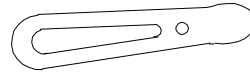
# 11



YG-B8 2pcs

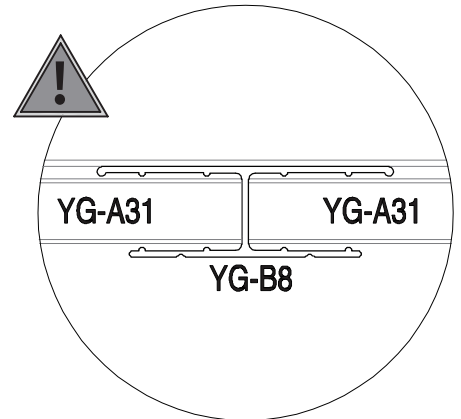
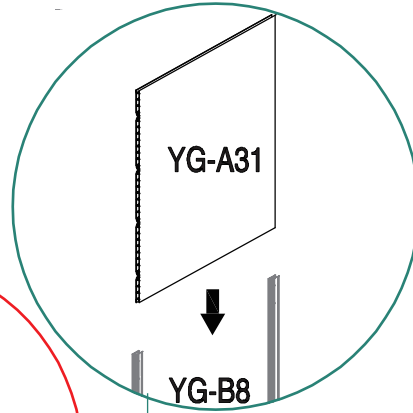
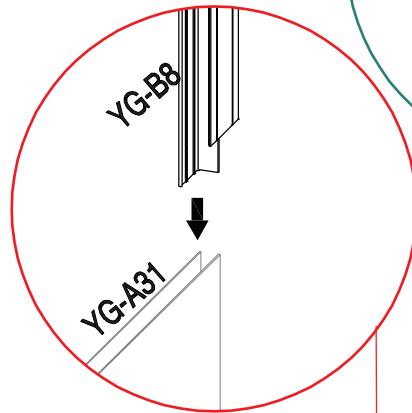


YG-A31 1pc

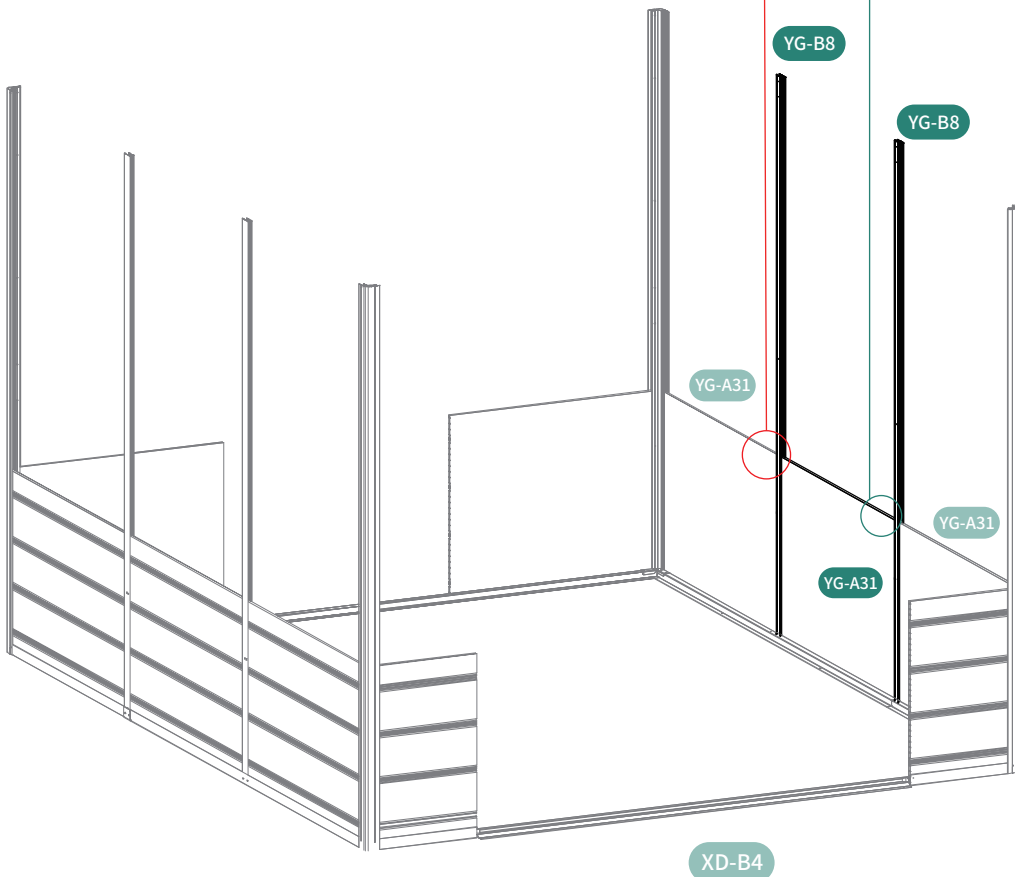


Auxiliary Tools

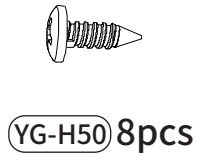
CN-A33



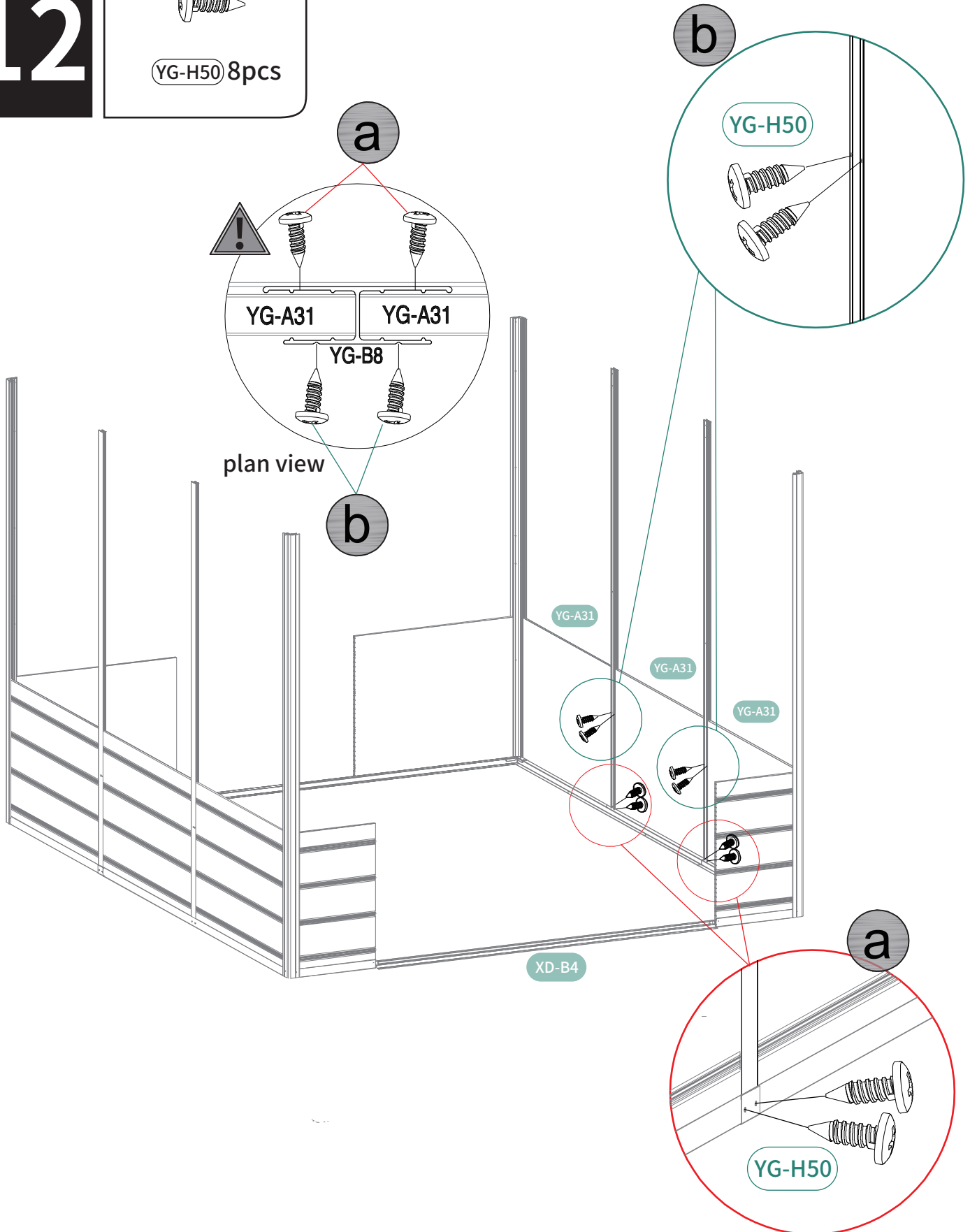
plan view



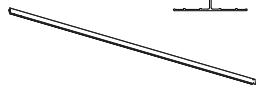
# 12



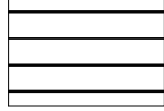
YG-H50 8pcs



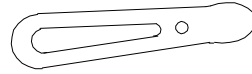
# 13



YG-C9 2pcs

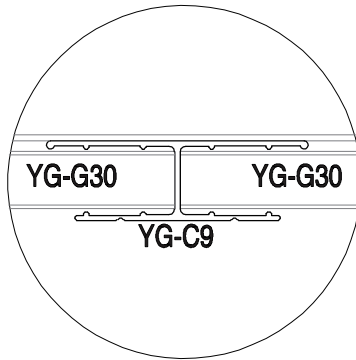
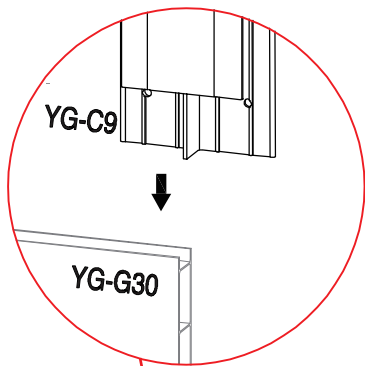


YG-G30 1pc

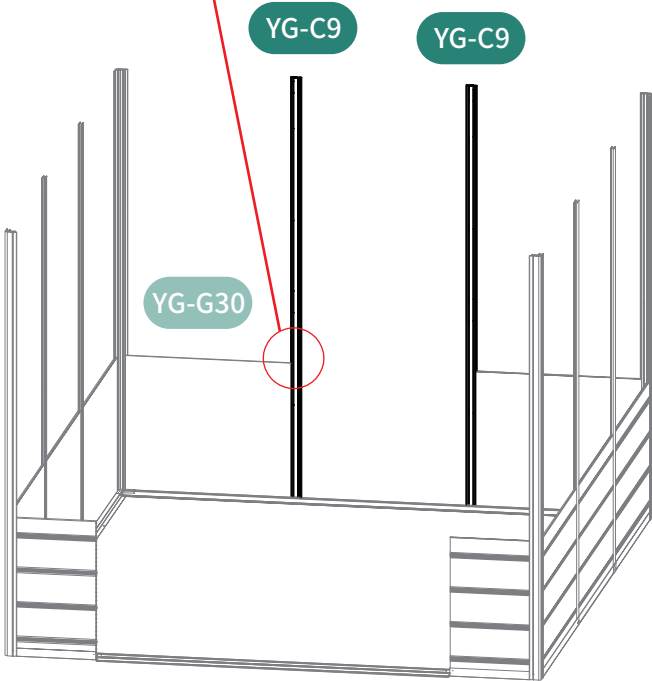
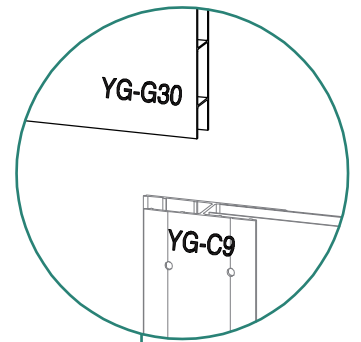


Auxiliary Tools

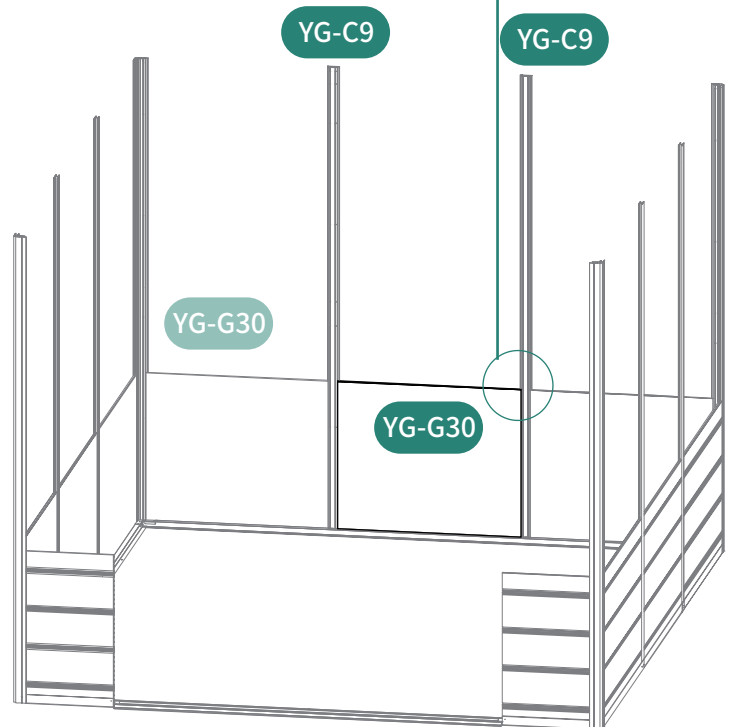
CN-A33



plan view

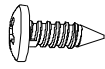


XD-B4

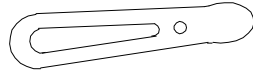


XD-B4

# 14

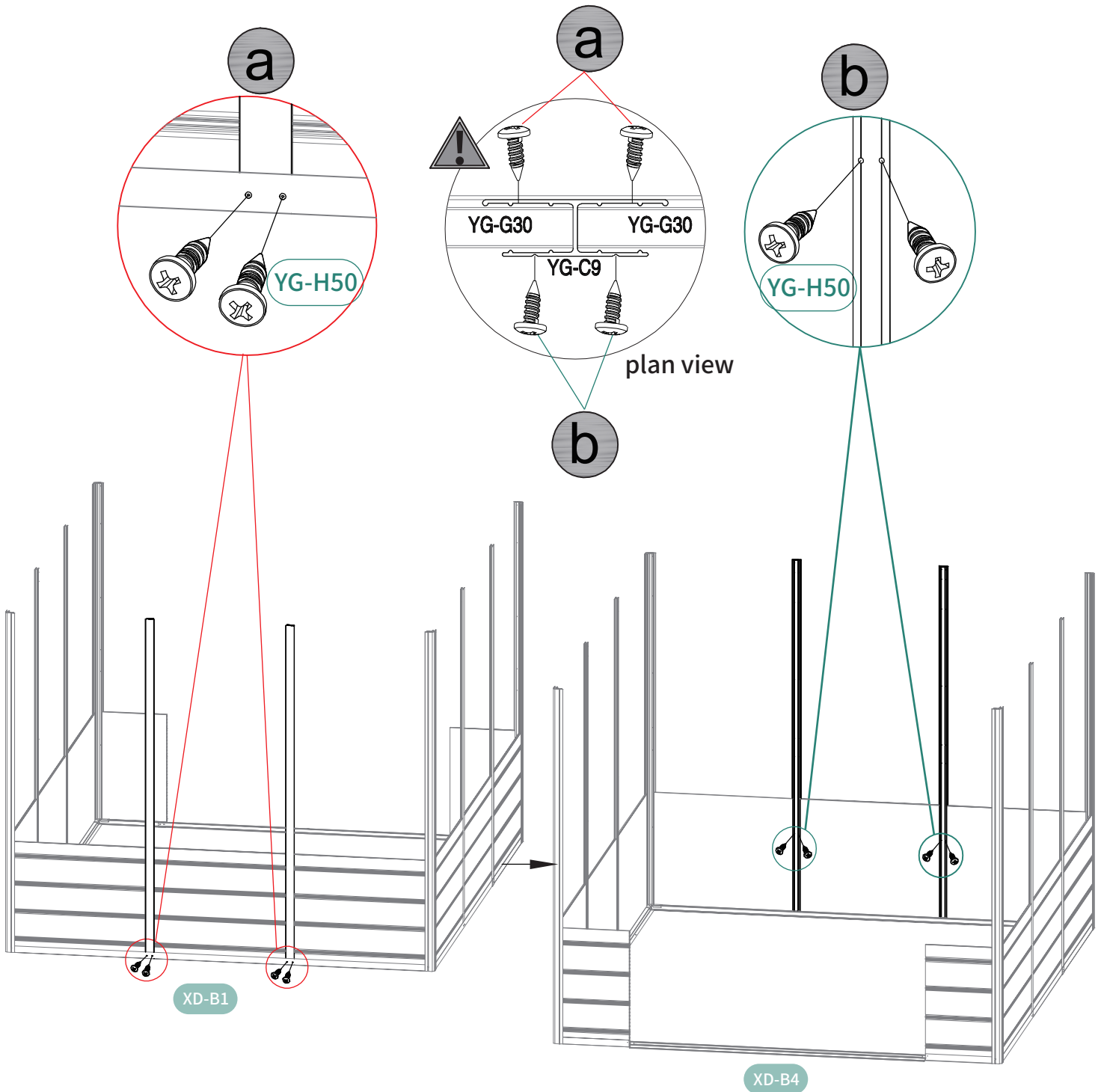


YG-H50 8pcs

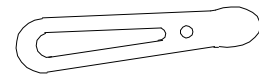
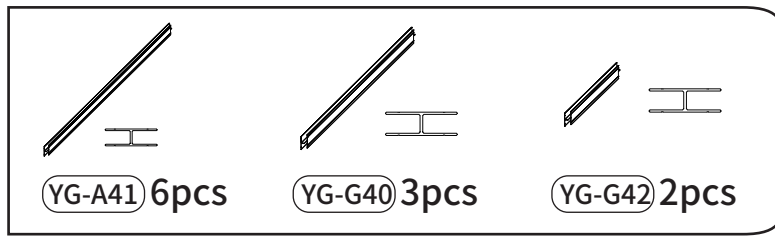


Auxiliary Tools

CN-A33



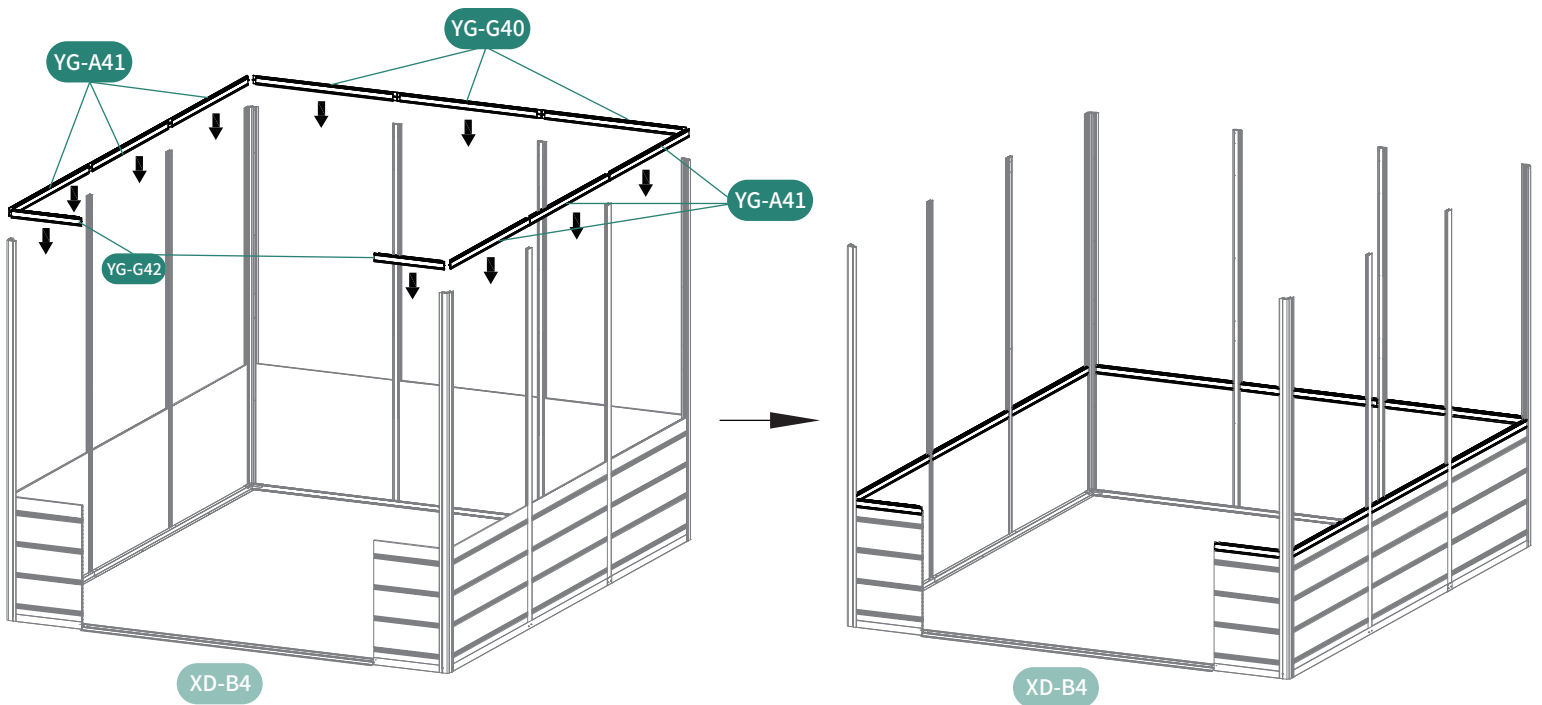
# 15



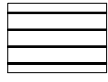
Auxiliary Tools

CN-A33

Ensure that the side panel is fully inserted into the slot. It is recommended to use a tool to assist with the operation.



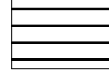
# 16



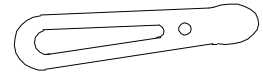
YG-A31 6pcs



YG-G32 2pcs

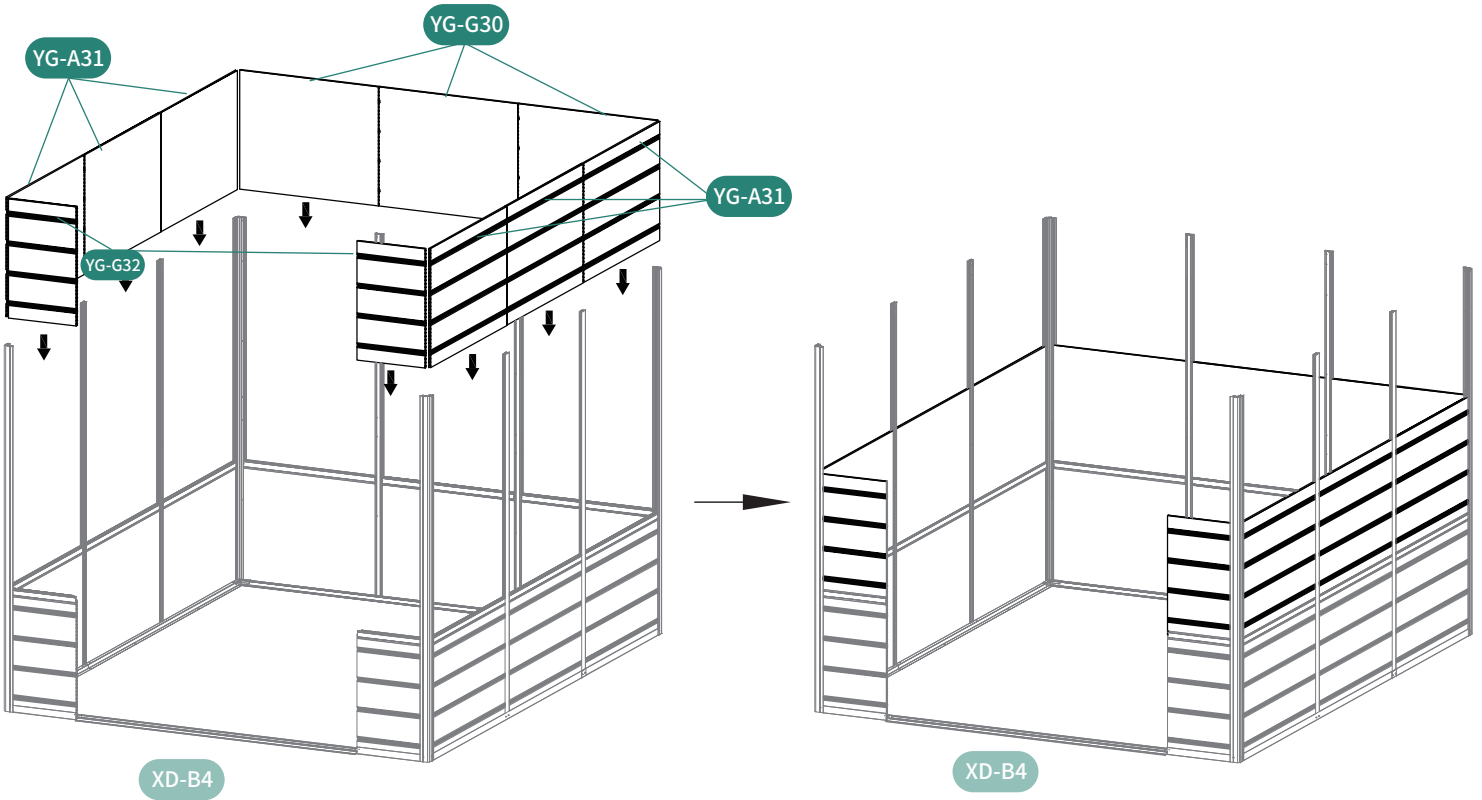


YG-G30 3pcs

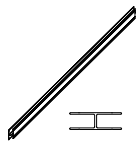


Auxiliary Tools

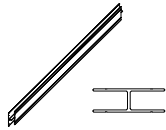
CN-A33



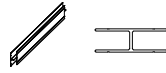
# 17



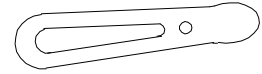
YG-A41 6pc



YG-G40 3pcs



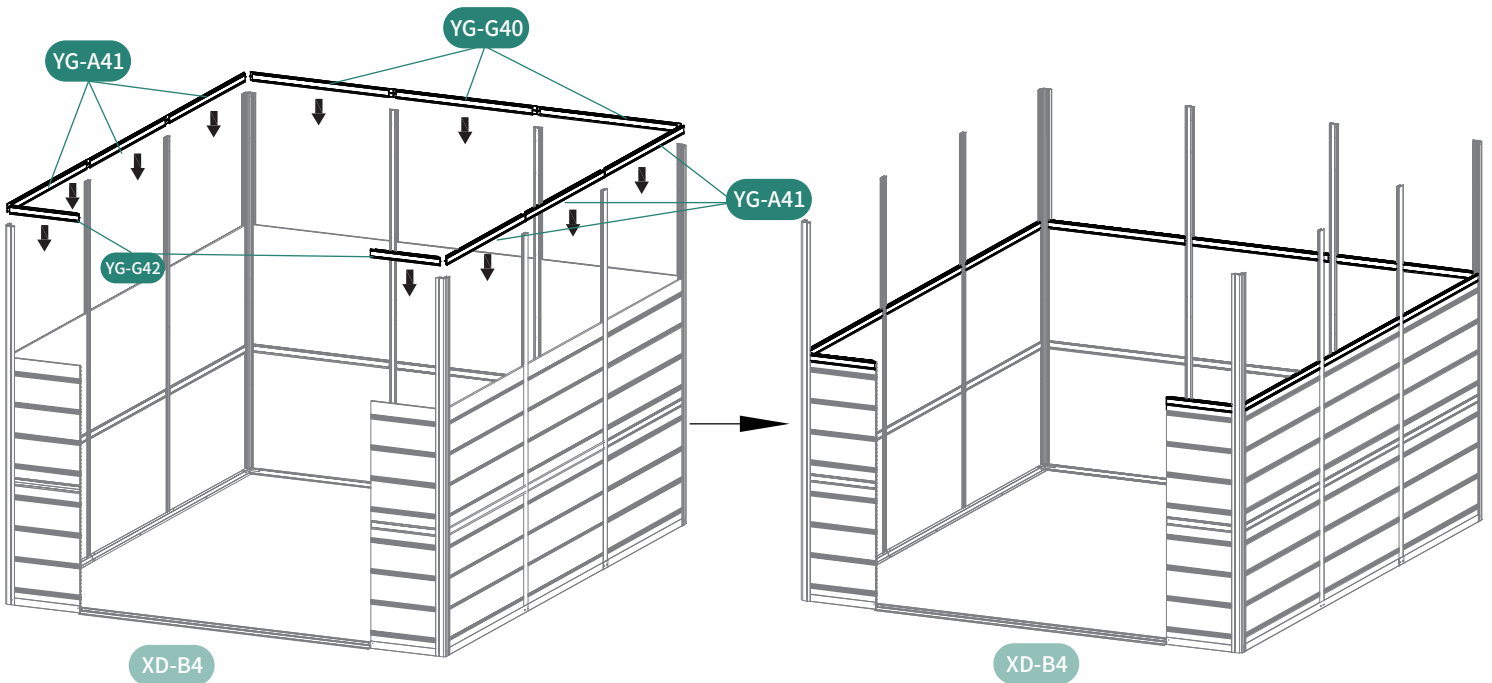
YG-G42 2pcs



Auxiliary Tools

CN-A33

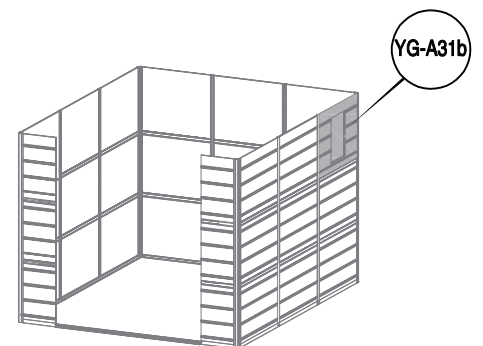
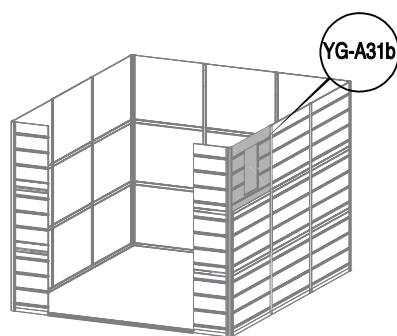
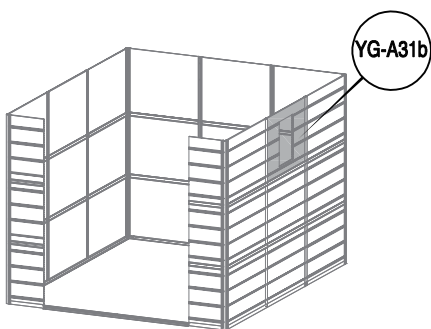
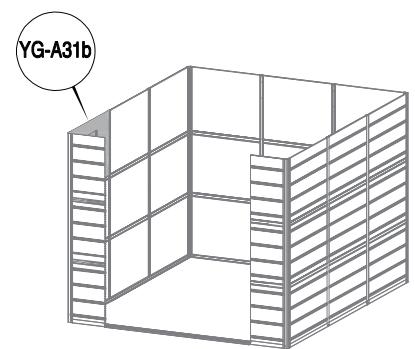
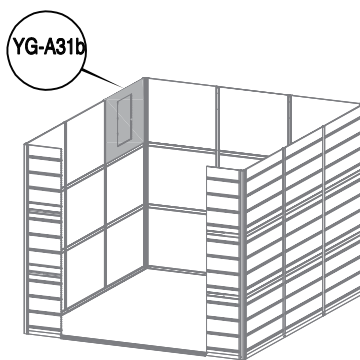
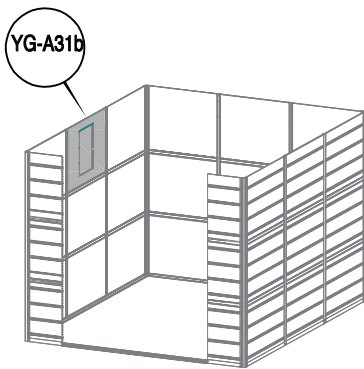
Ensure that the side panel is fully inserted into the slot. It is recommended to use a tool to assist with the operation.



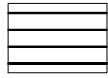


# 18

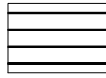
During window installation, the window's orientation can be adjusted according to the location where it is being placed, so that it accurately corresponds with the direction of the light exposure.



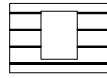
# 19



YG-A31a 5pcs



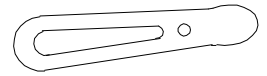
YG-G30a 3pcs



YG-A31b 1pc

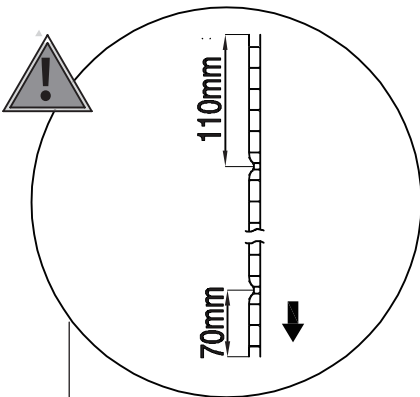


YG-C32a 2pcs

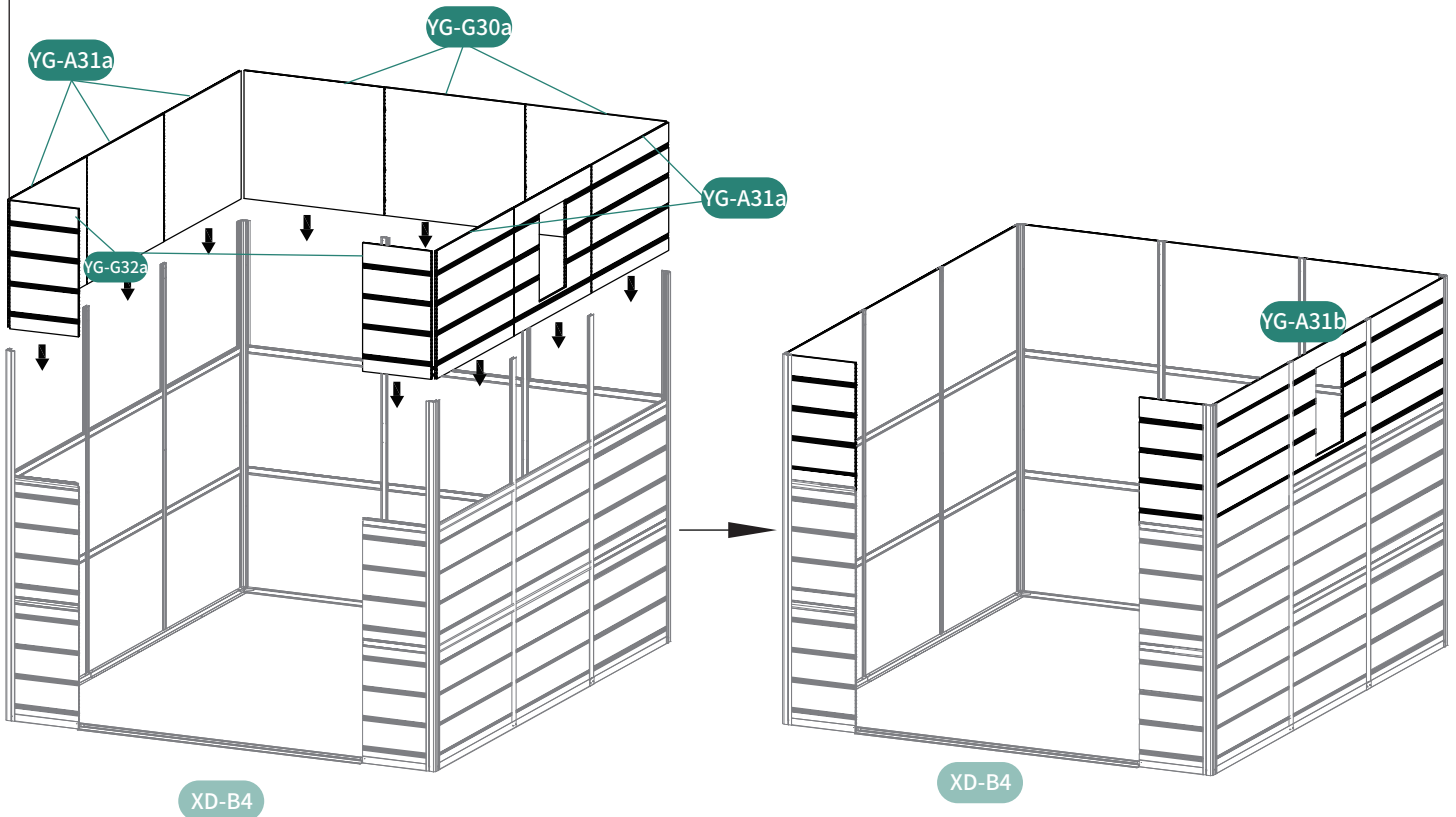


Auxiliary Tools

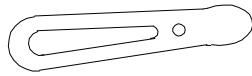
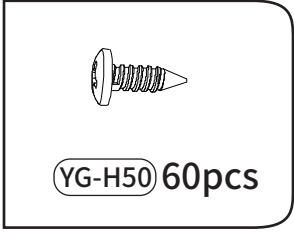
CN-A33



During installation, ensure the narrow edge of the panel is oriented facing downward

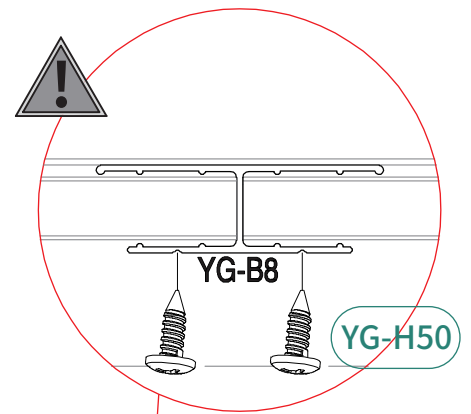
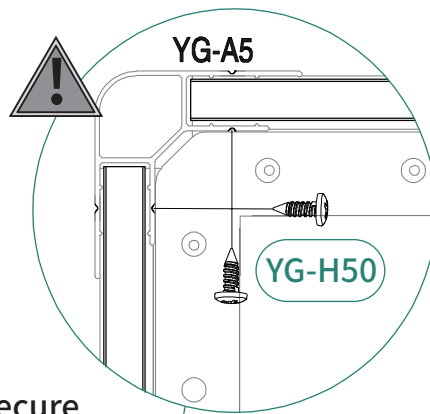


20



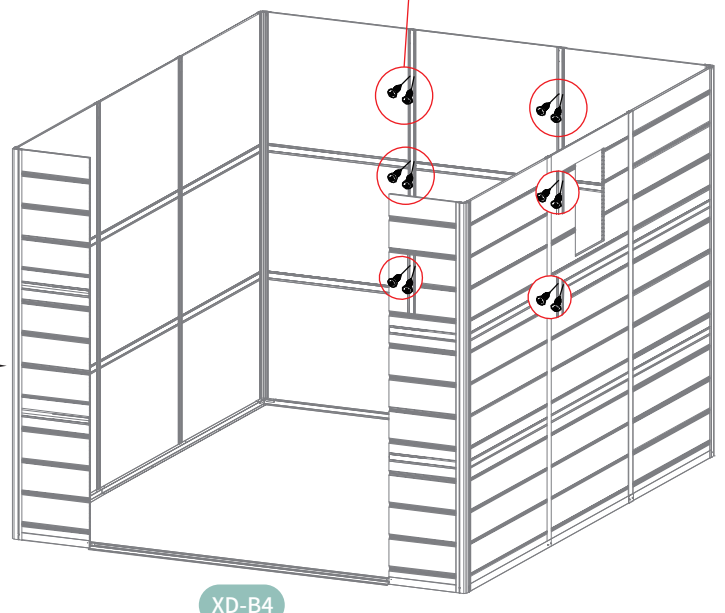
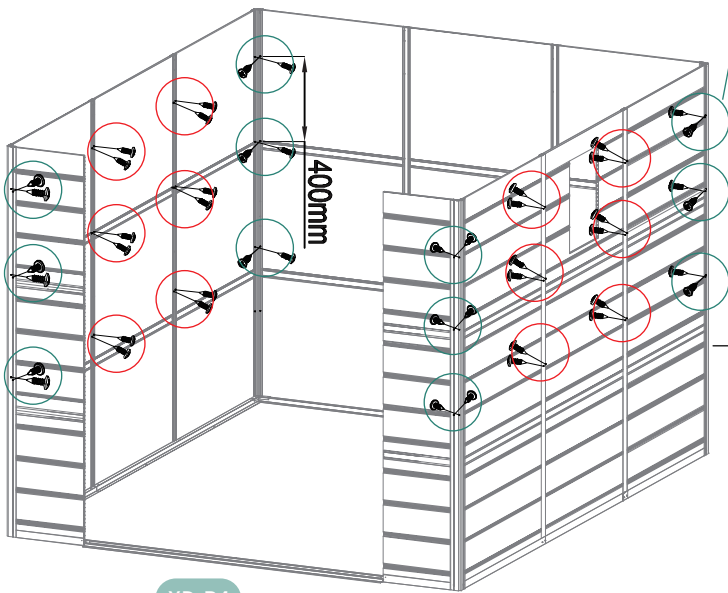
Auxiliary Tools

CN-A33

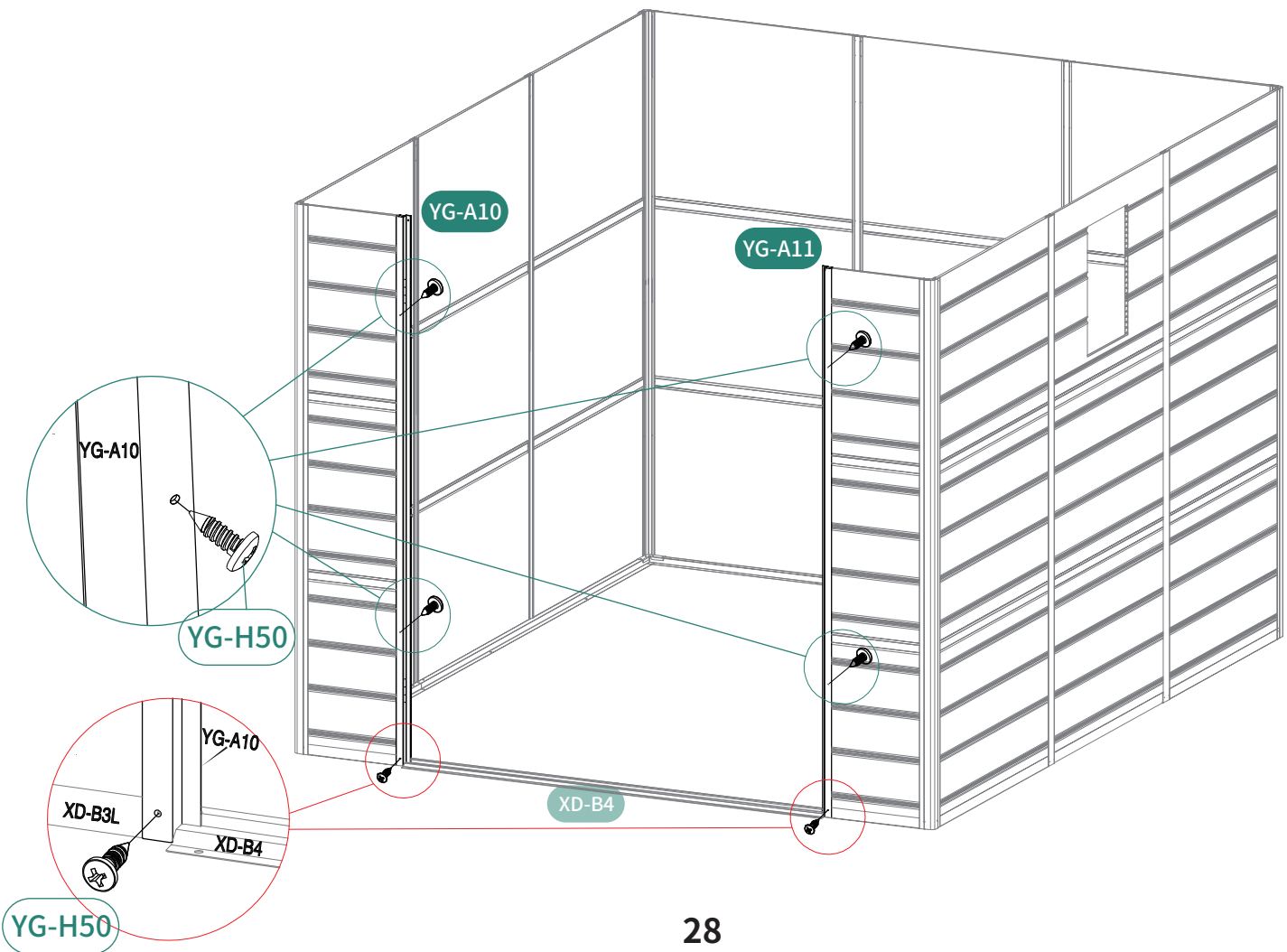
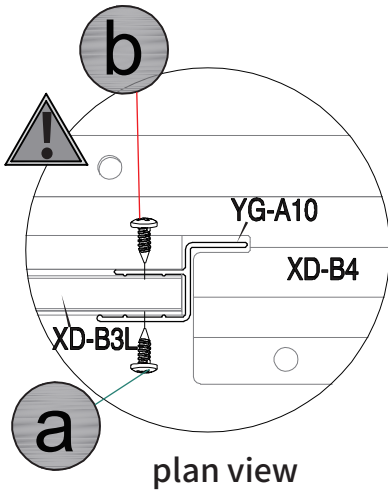
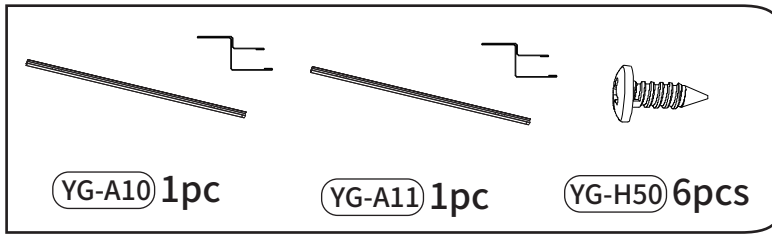


plan view

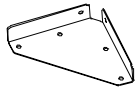
After the panel is installed, secure it from the inside using screws. When fastening, please align the screws with the grooves to avoid any deviations that could lead to loosening.



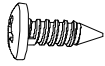
# 21



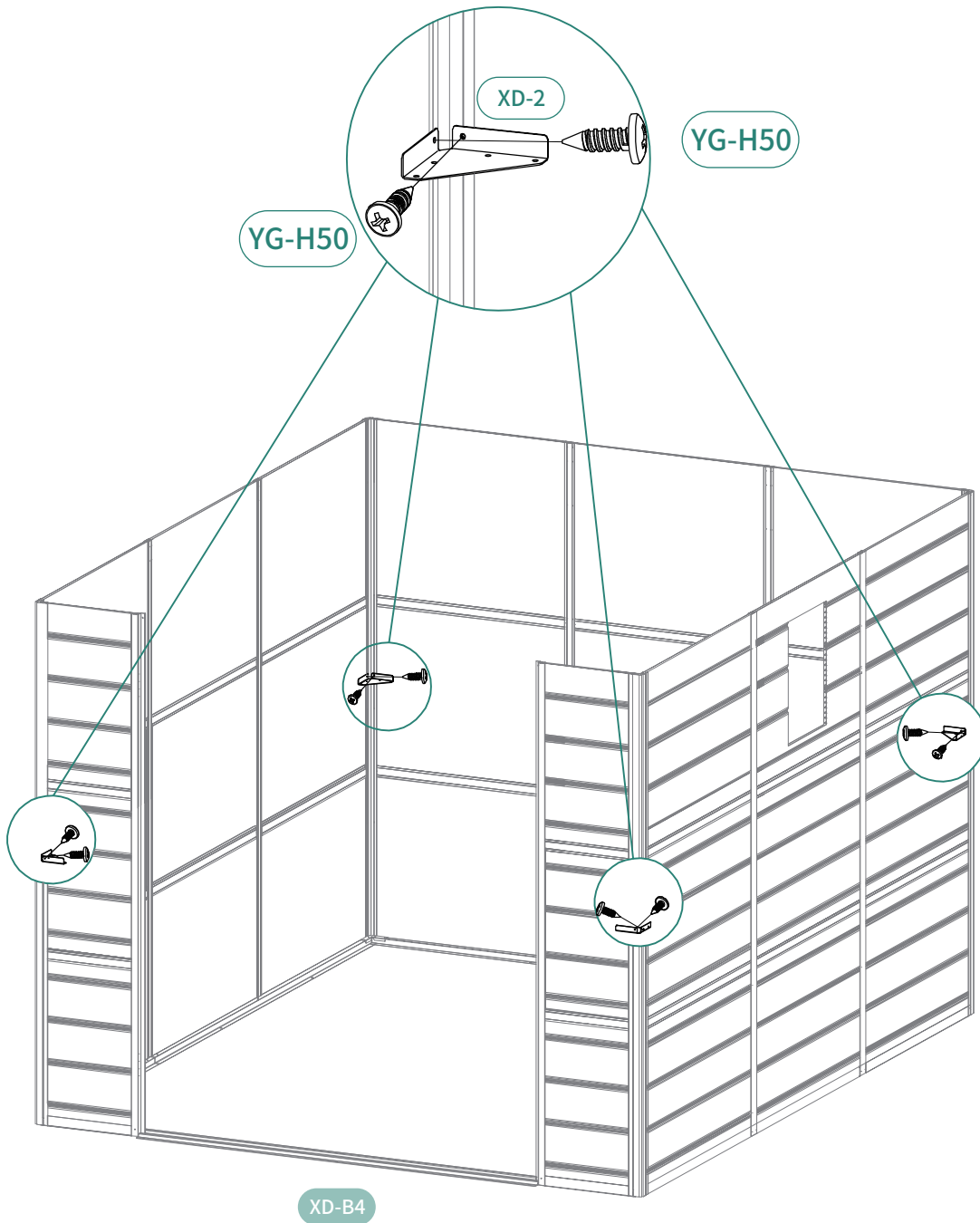
22



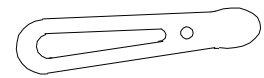
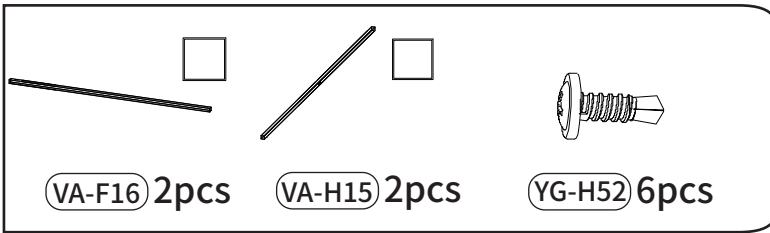
XD-2 4pcs



YG-H50 8pcs

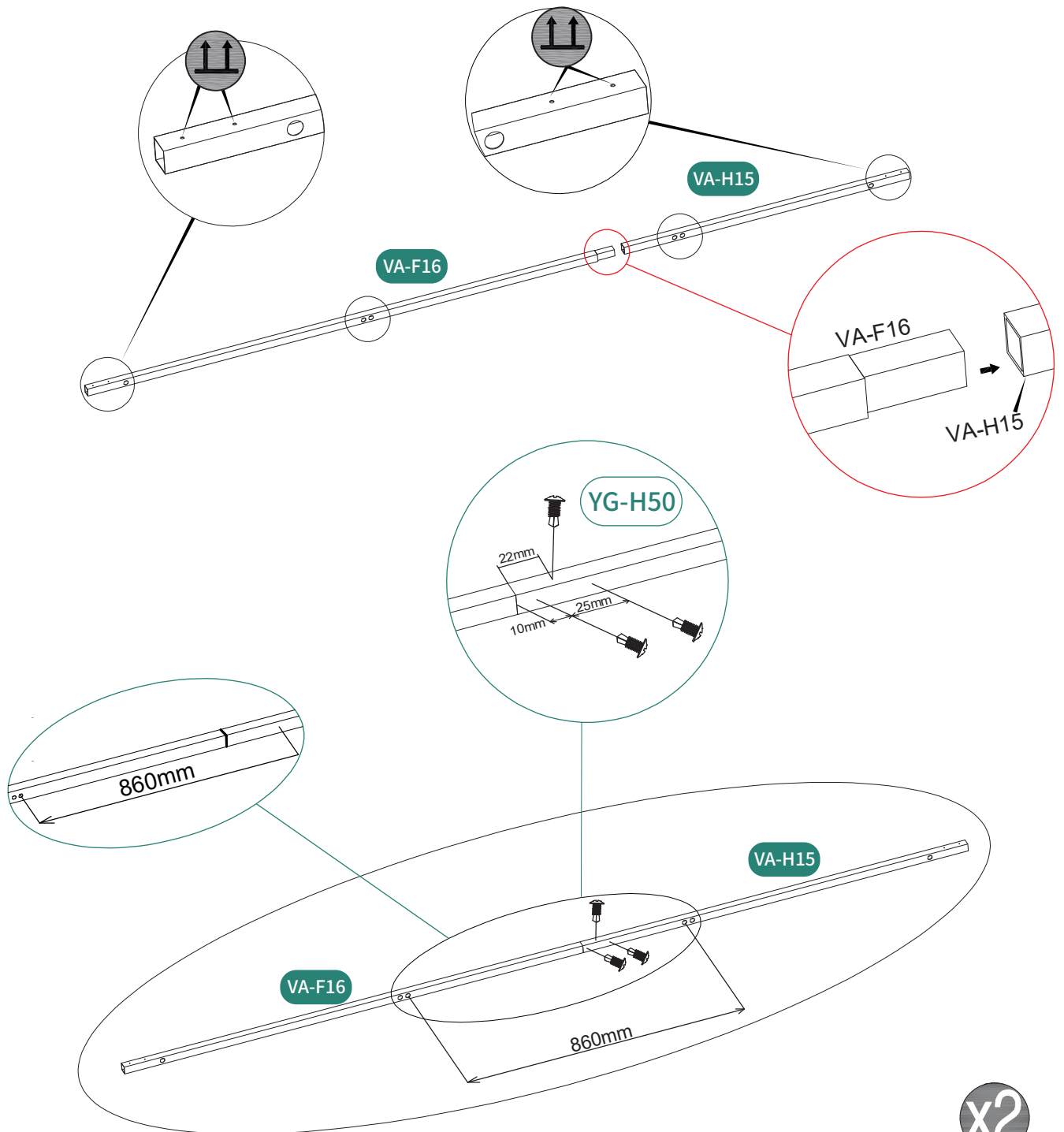


# 23

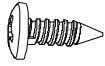


Auxiliary Tools

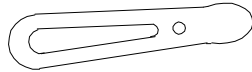
CN-A33



24

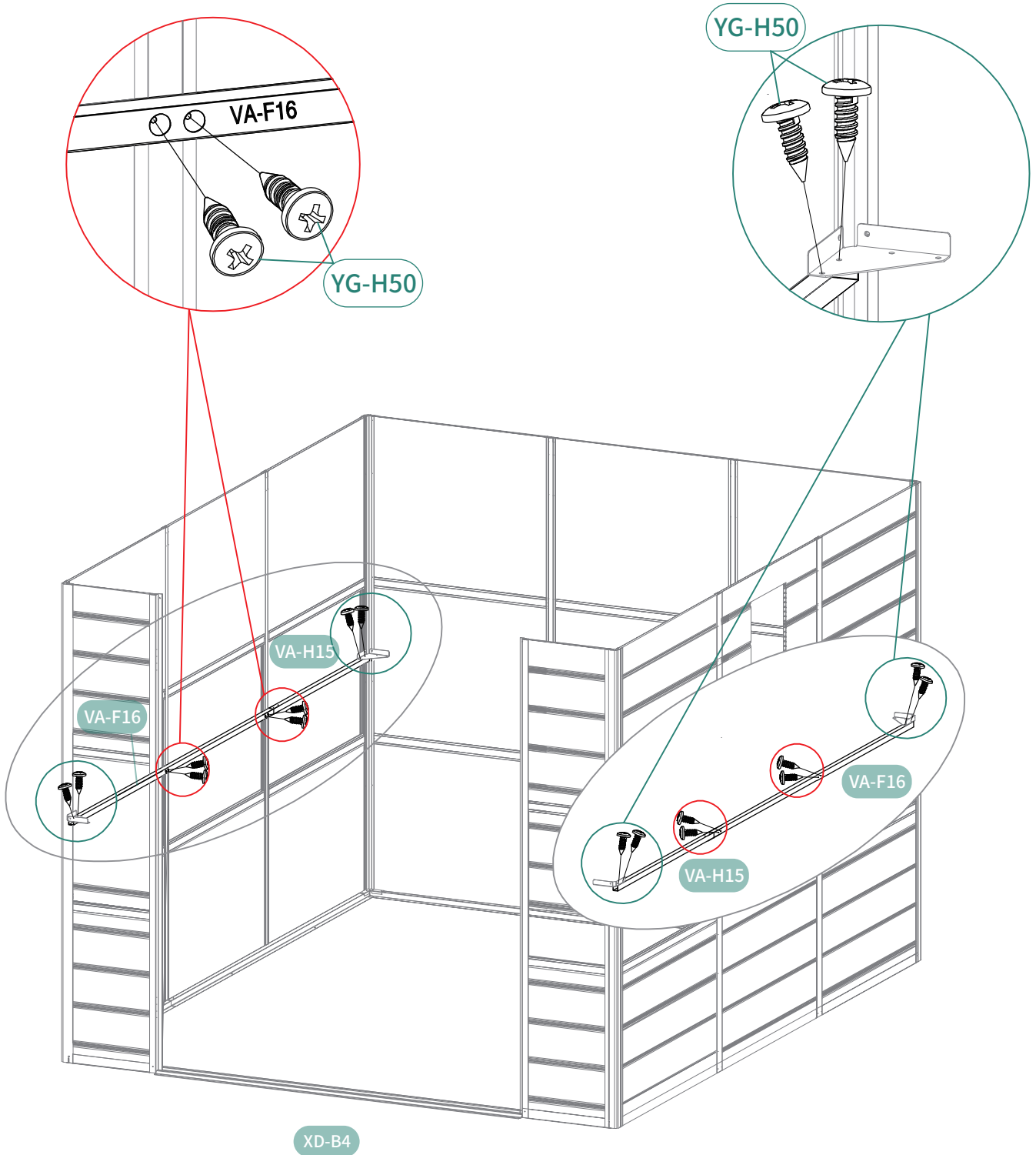


YG-H50 16pcs



Auxiliary Tools

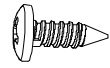
CN-A33



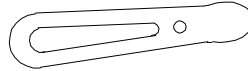
25



XD-B24 1pc

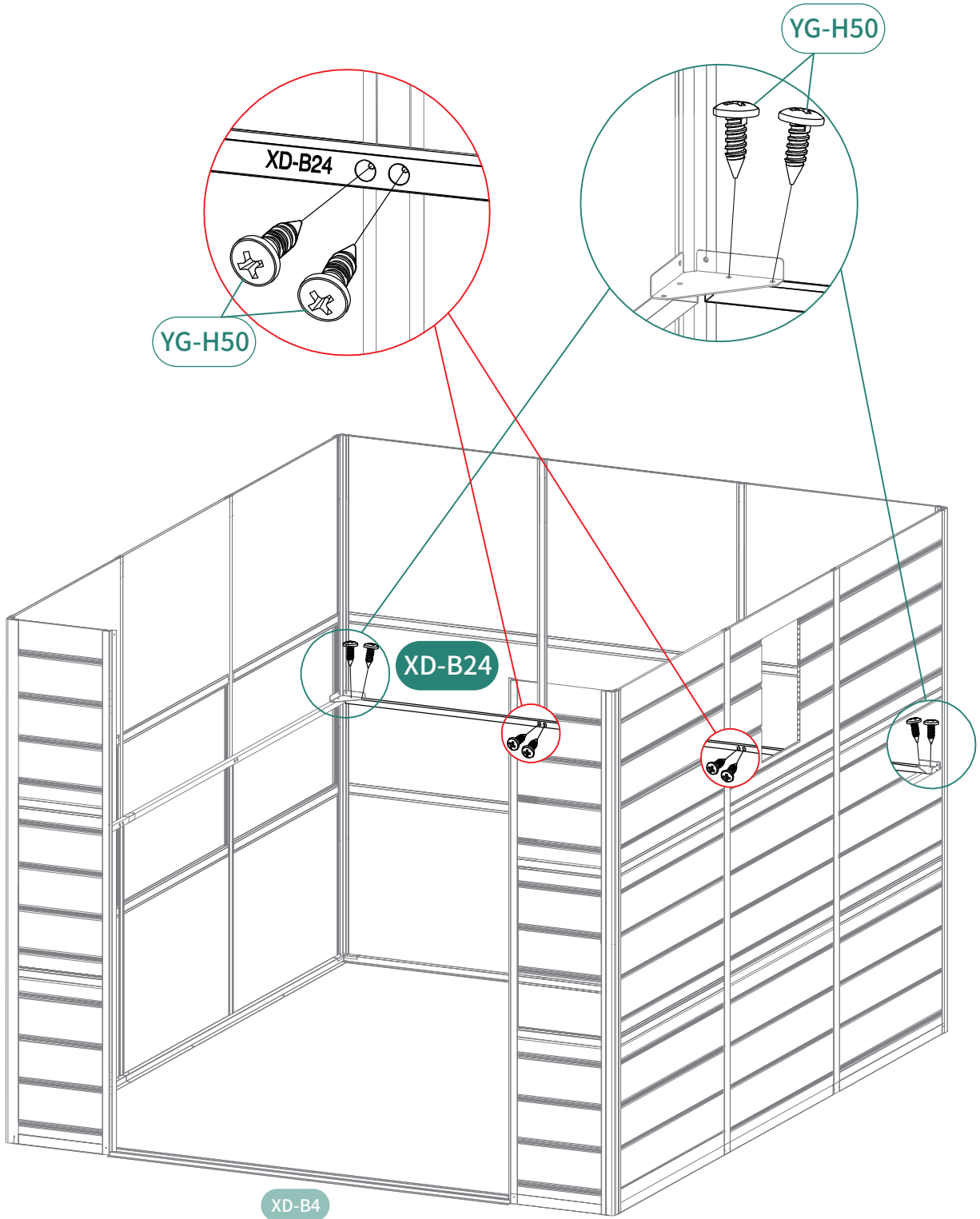


YG-H50 8pcs



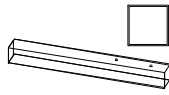
Auxiliary Tools

CN-A33

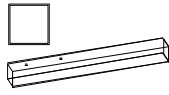




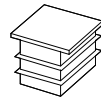
# 26



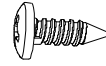
VA-G14AL 1pc



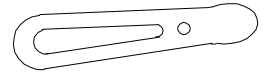
VA-G14AR 1pc



VA-43 2pcs



YG-H50 6pcs

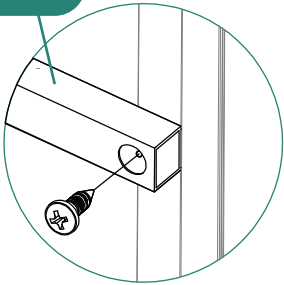


Auxiliary Tools

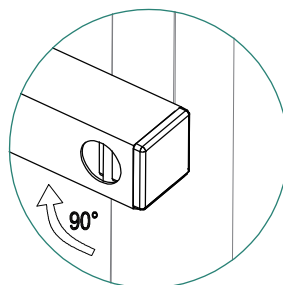
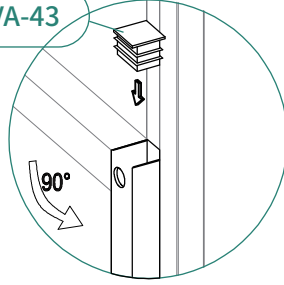
CN-A33

First, secure the reinforcement rod, but do not fully tighten it. Then, rotate the reinforcement rod and cover the hole with the cover plate. Next, rotate the reinforcement rod back to the original position. Finally, tighten the bolts completely to fully secure the reinforcement rod.

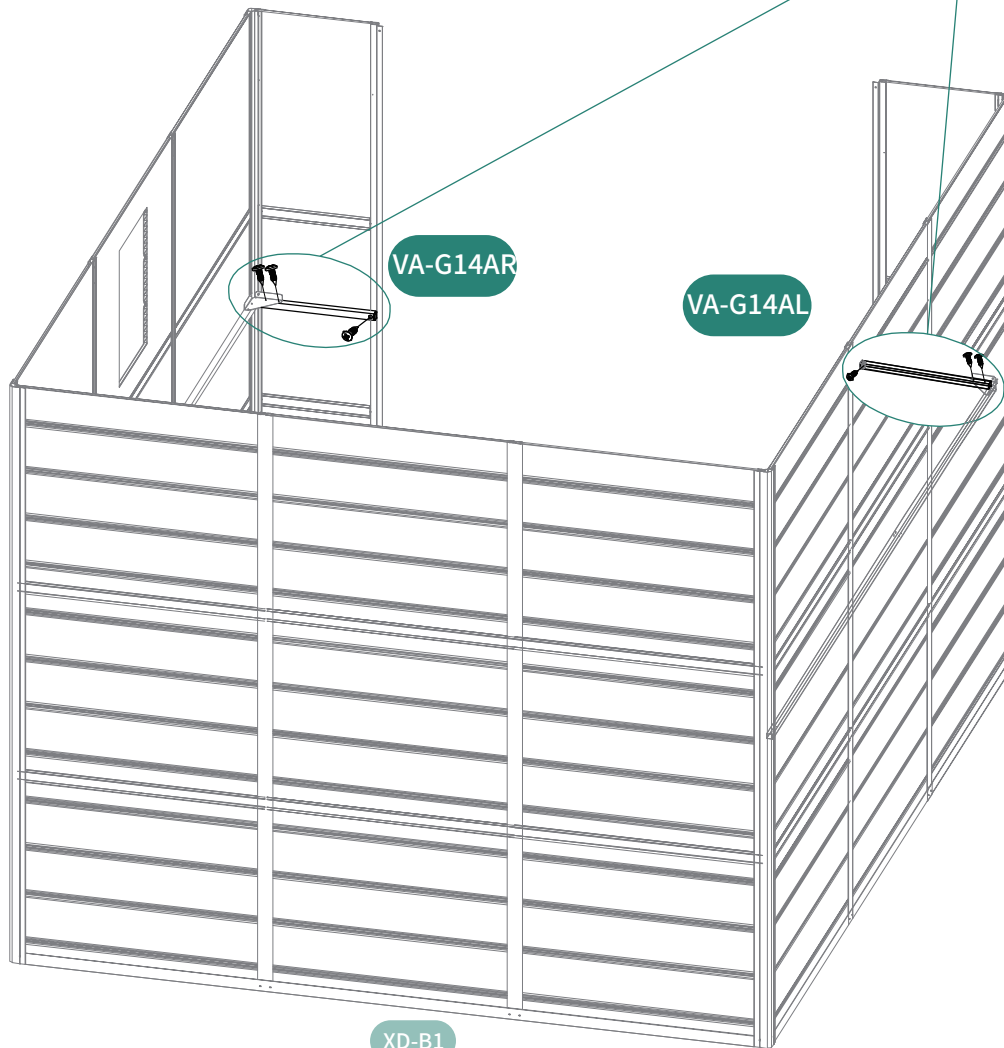
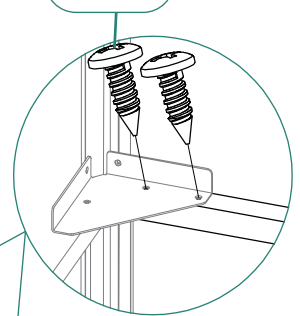
VA-G14AR



VA-43

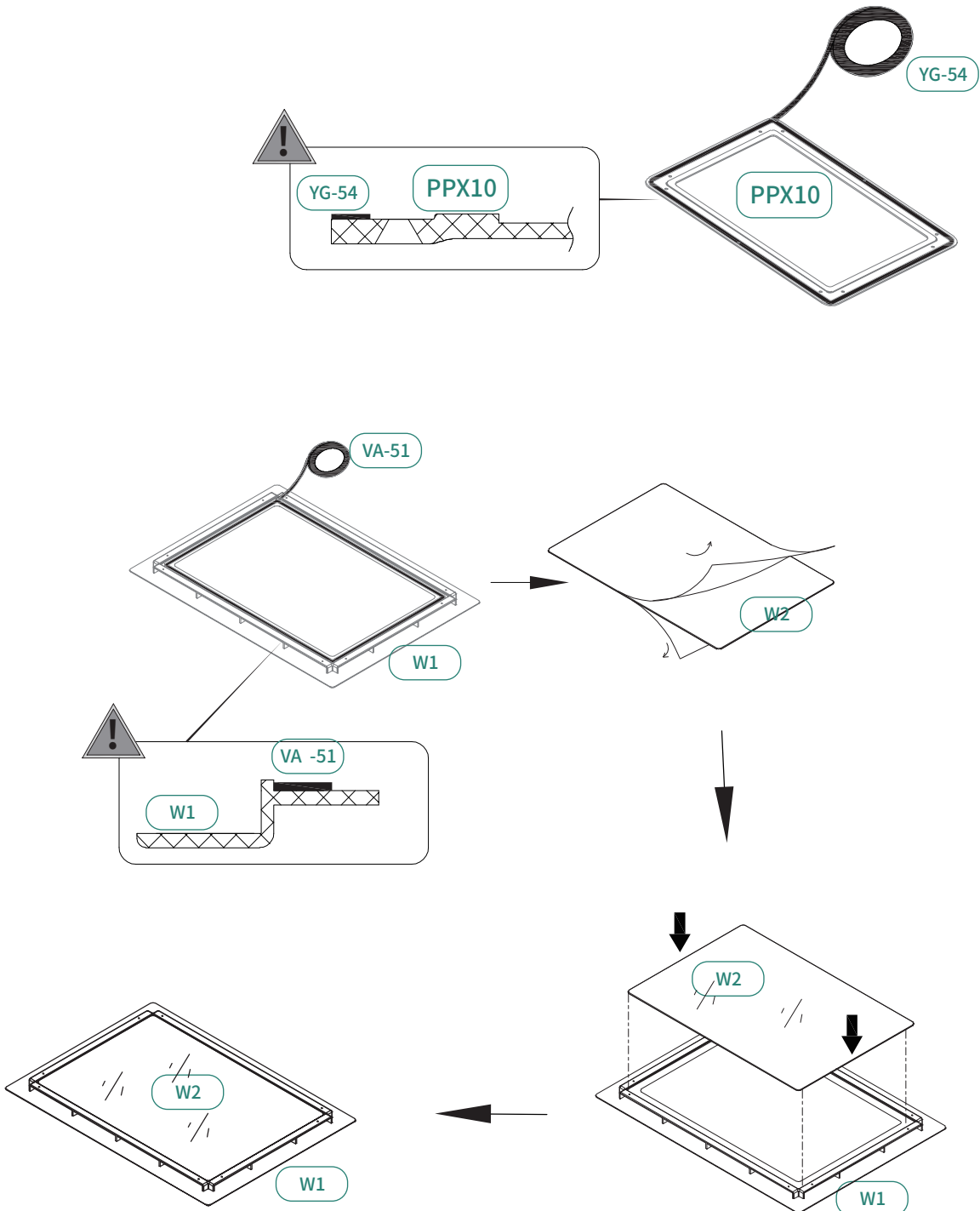
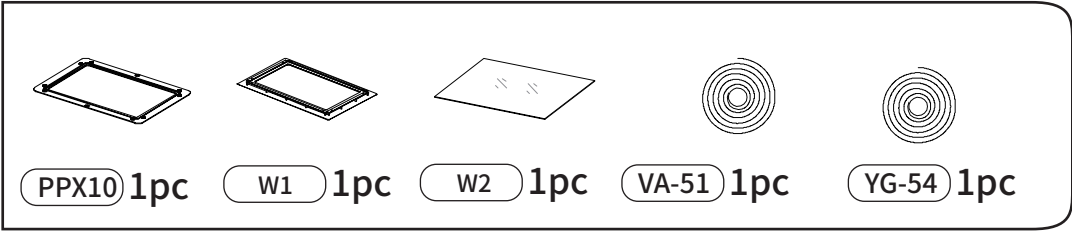


YG-H50

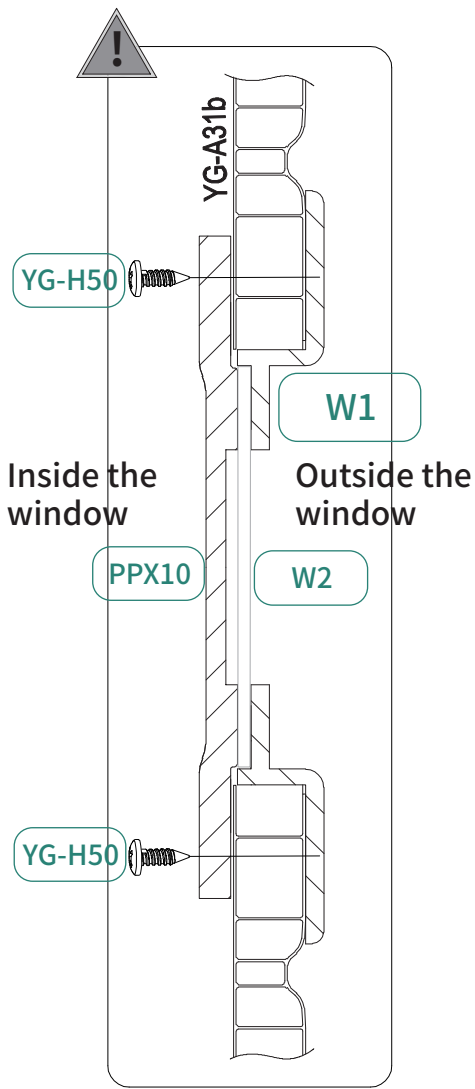
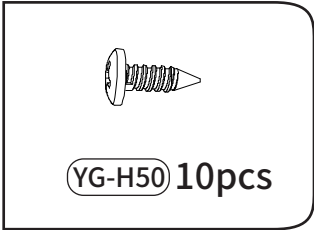


XD-B1

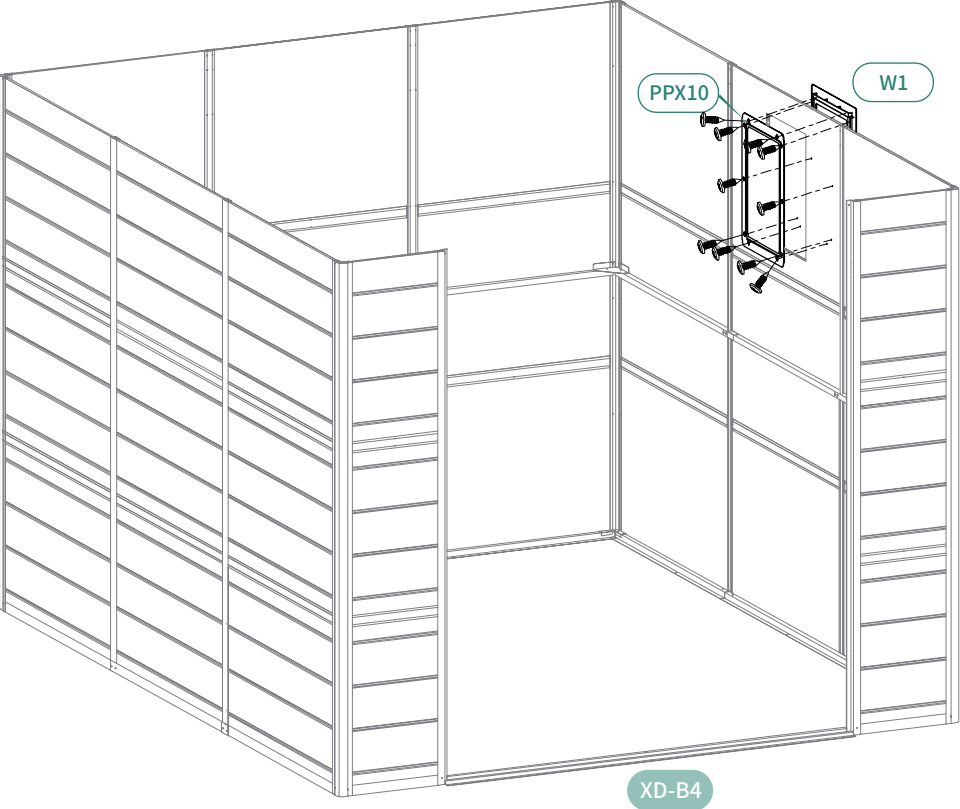
# 27



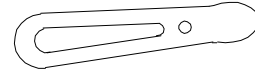
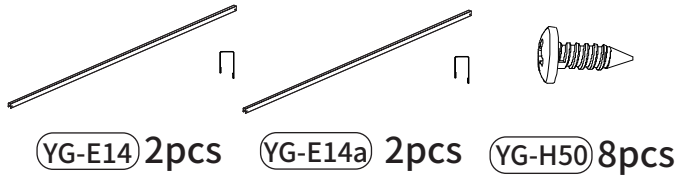
28



plan view

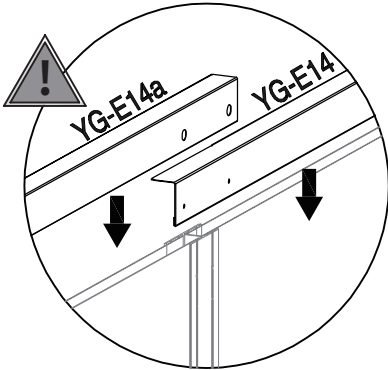


# 29

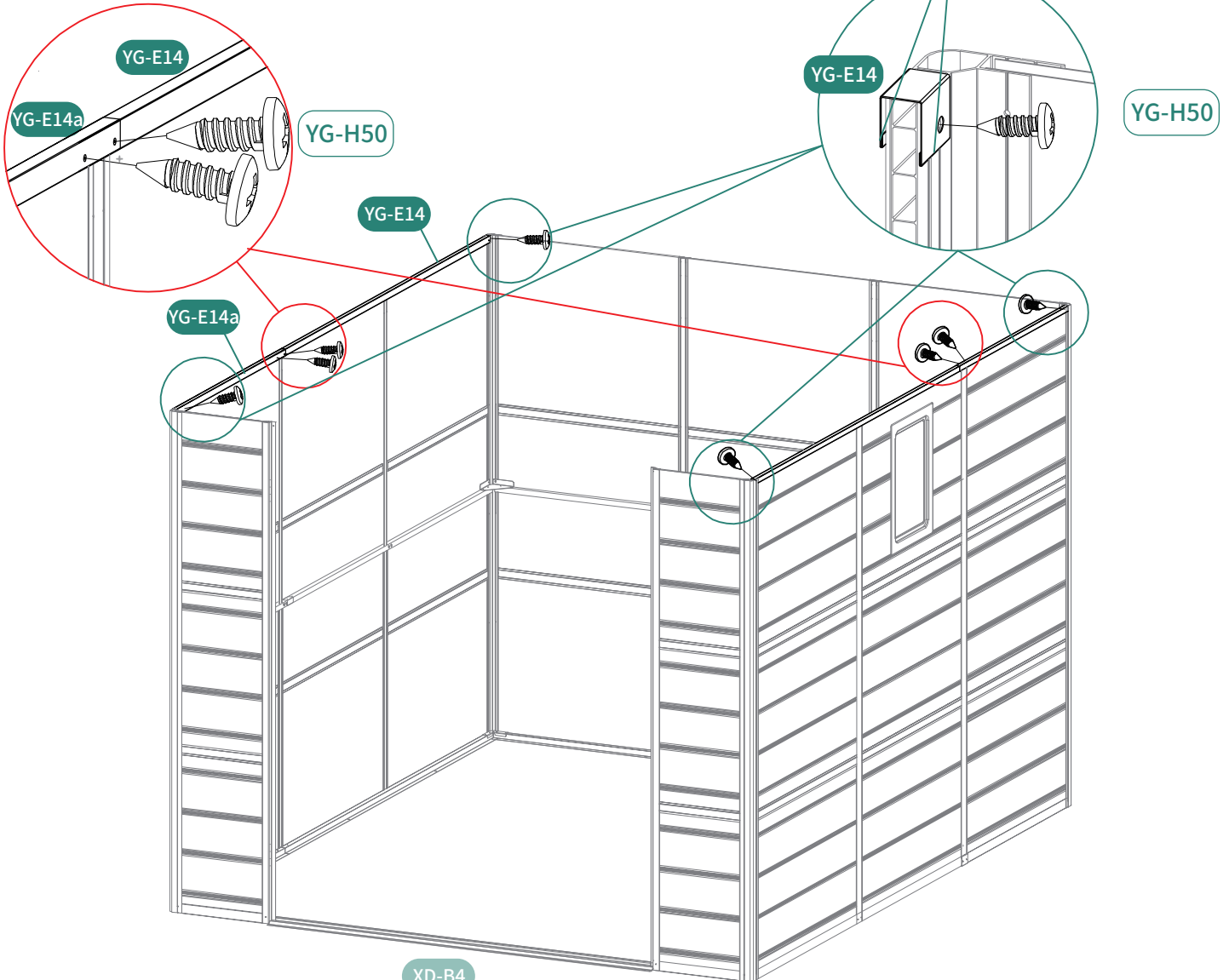


Auxiliary Tools

CN-A33



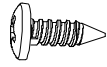
That the longer sides of the components should be oriented towards the inside, while the shorter sides should be oriented towards the outside during installation or assembly.



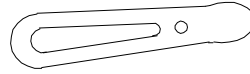
30



YG-G12 1pc

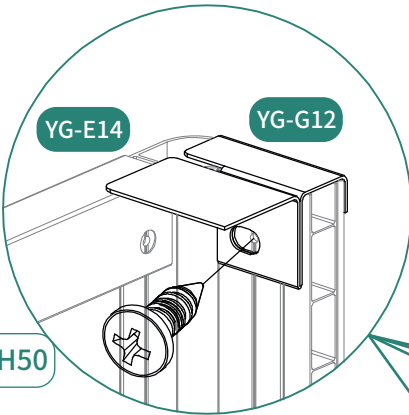


YG-H50 4pcs

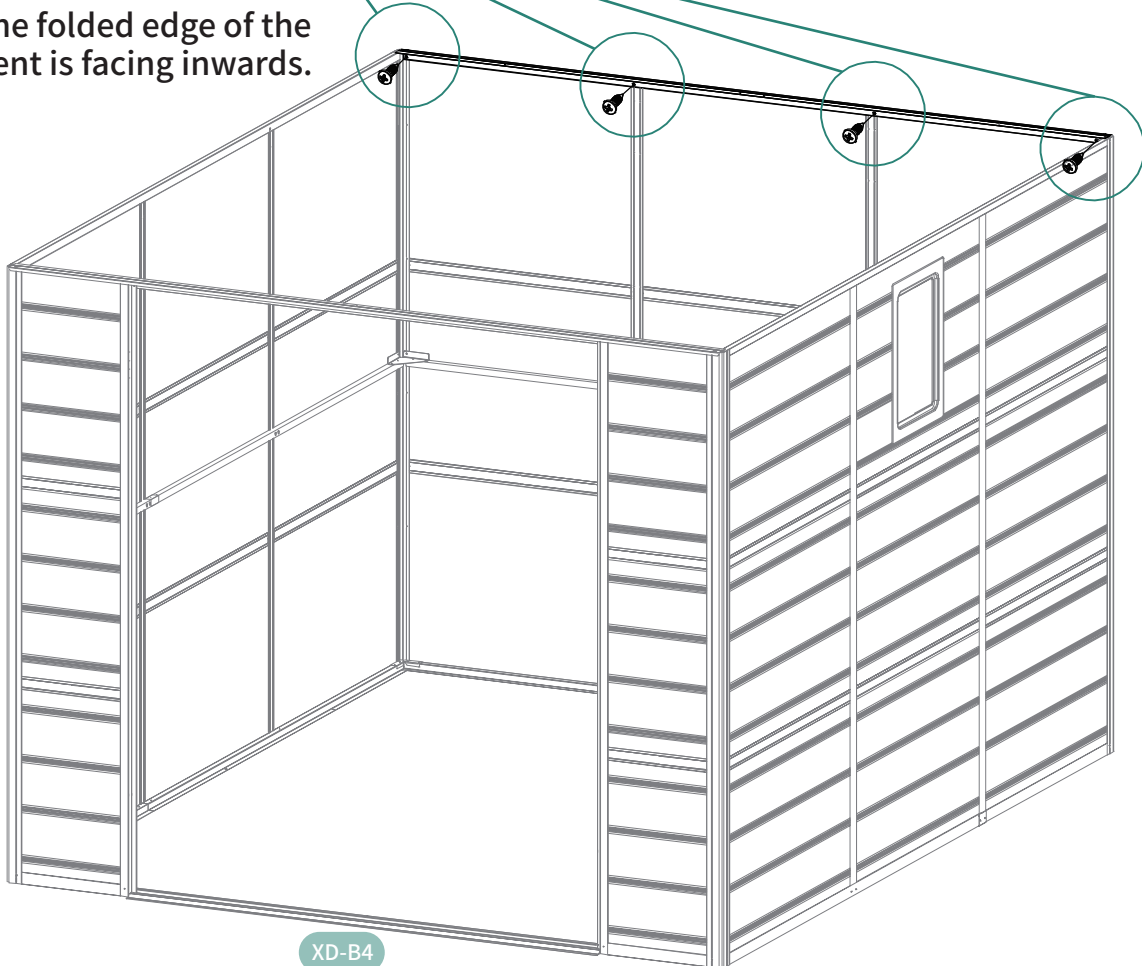


Auxiliary Tools

CN-A33



Ensure the folded edge of the component is facing inwards.



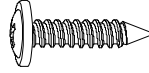
# 31



YG-G13 1pc



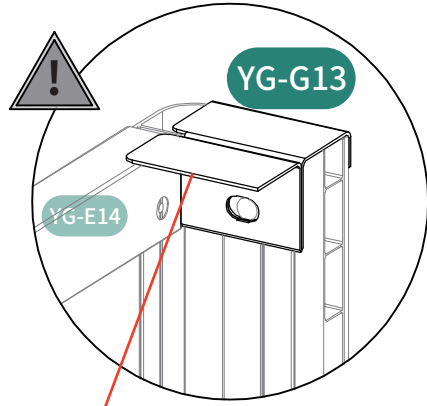
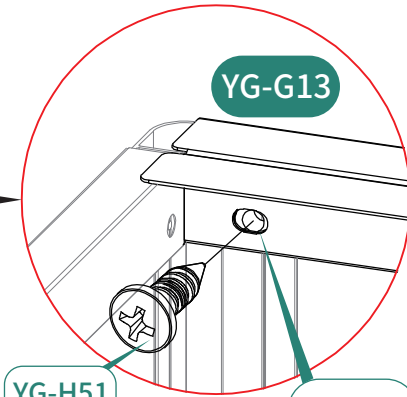
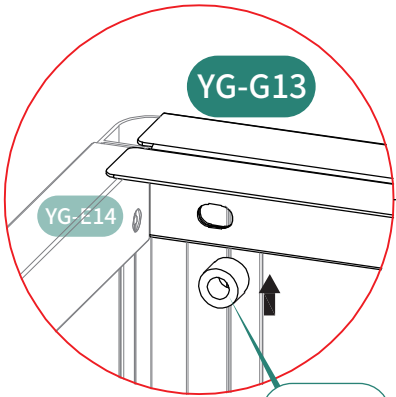
YG-6 2pcs



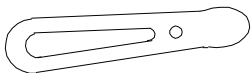
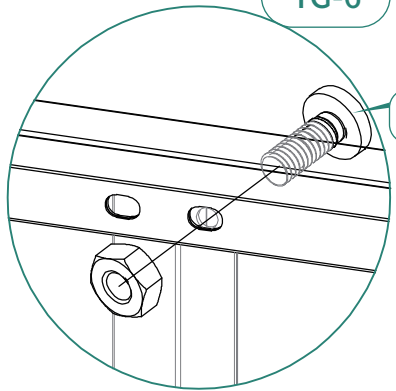
YG-H51 2pcs



YG-H55 2pcs

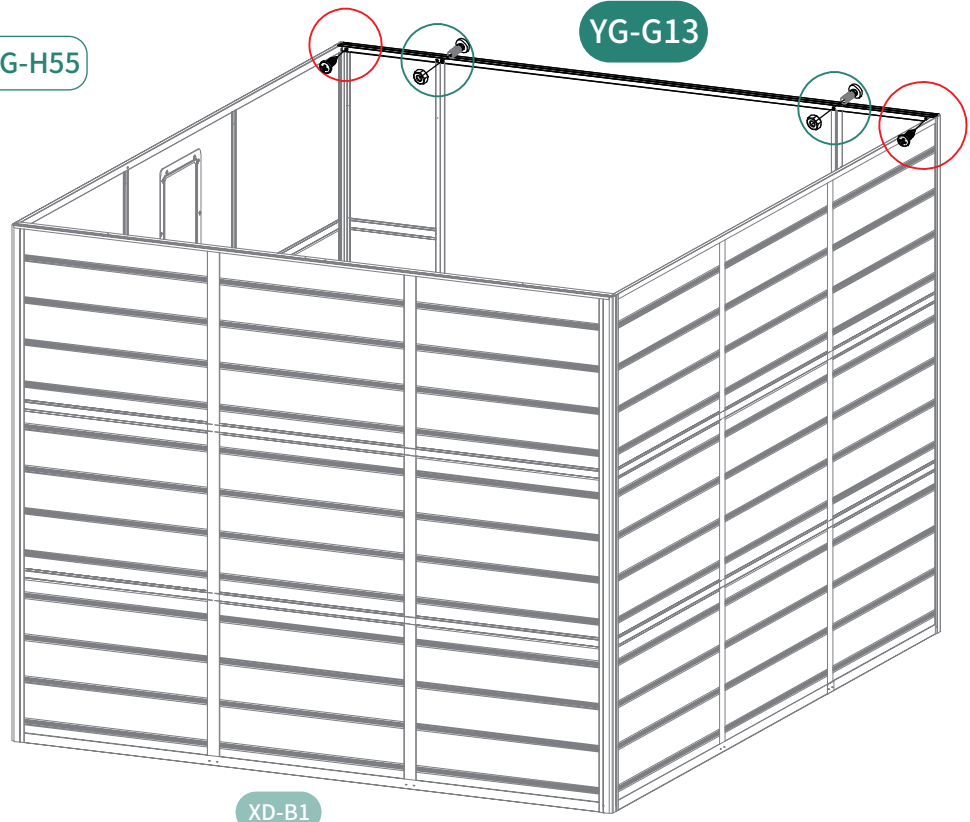


Ensure the folded edge of the component is facing inwards.



Auxiliary Tools

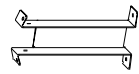
CN-A33



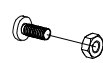
# 32



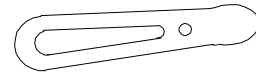
YG-G15 1pc



YG-G18 1pc

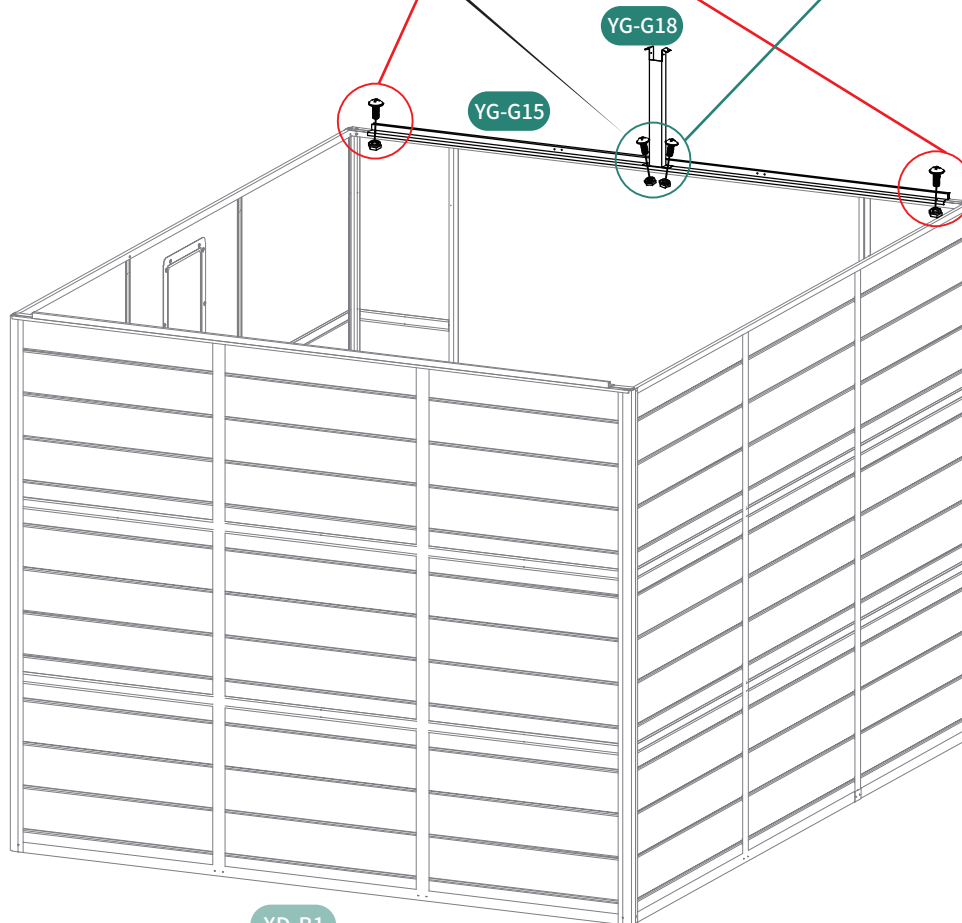
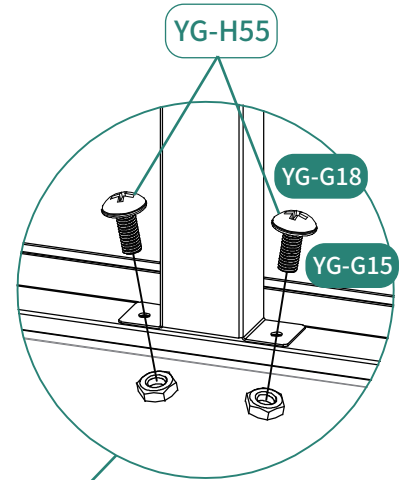
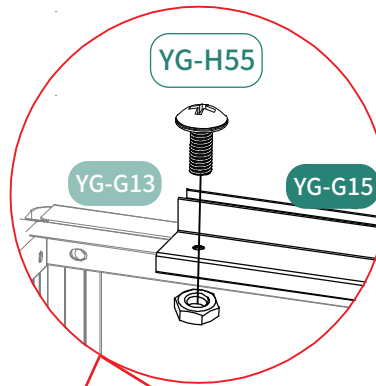
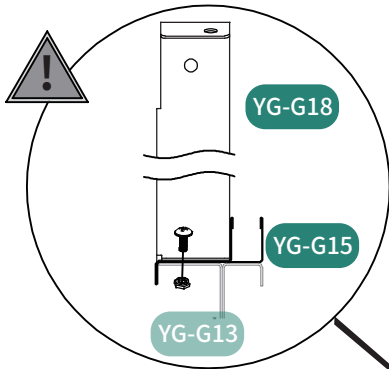


YG-H55 4pcs



Auxiliary Tools

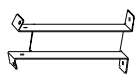
CN-A33



# 33



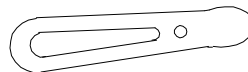
YG-G15 1pc



YG-G18 1pc

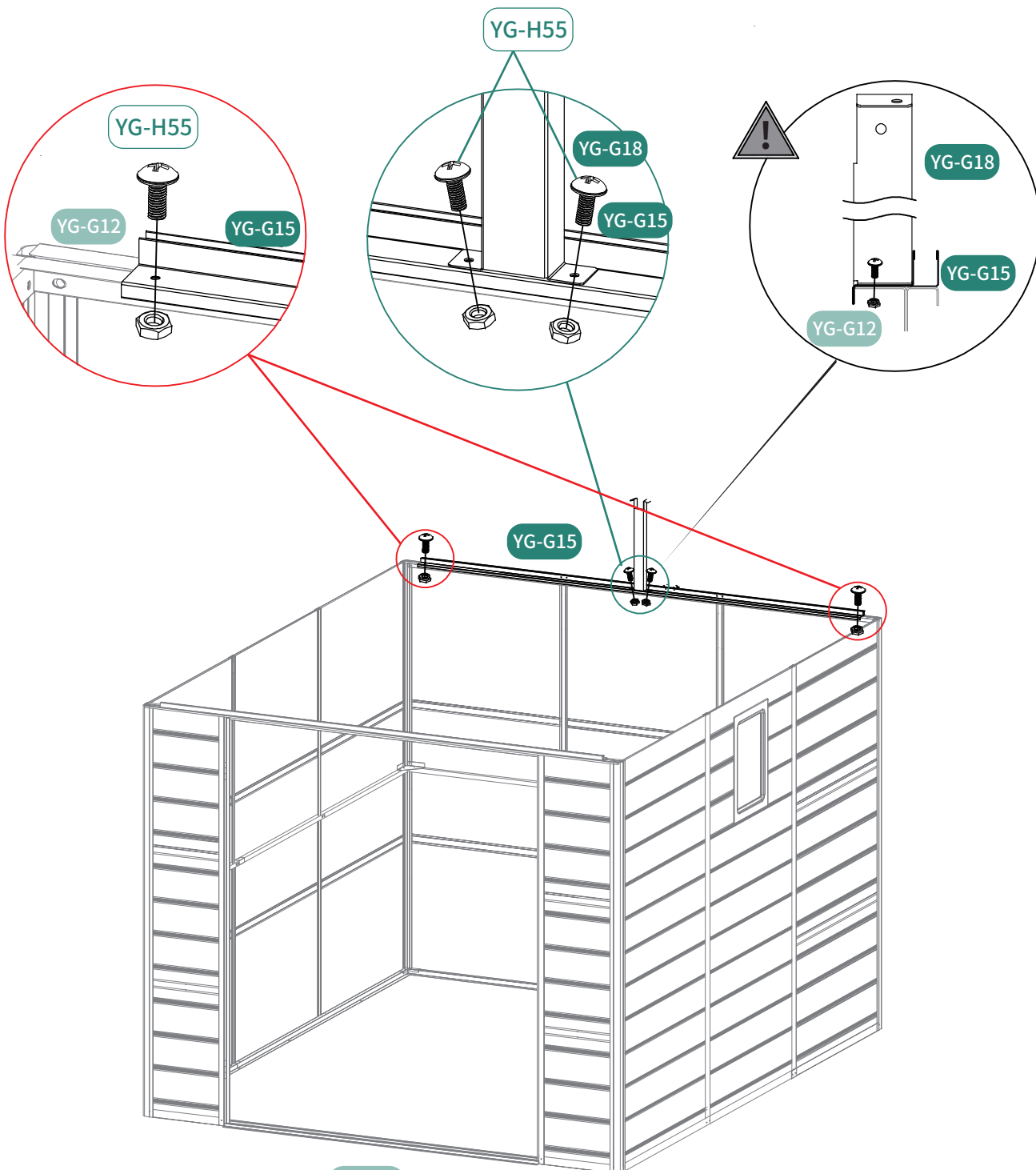


YG-H55 4pcs



Auxiliary Tools

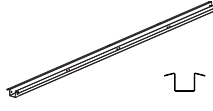
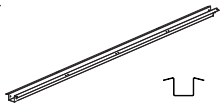
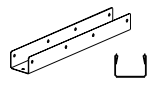
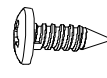
CN-A33

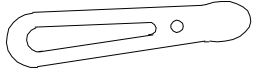


XD-B4

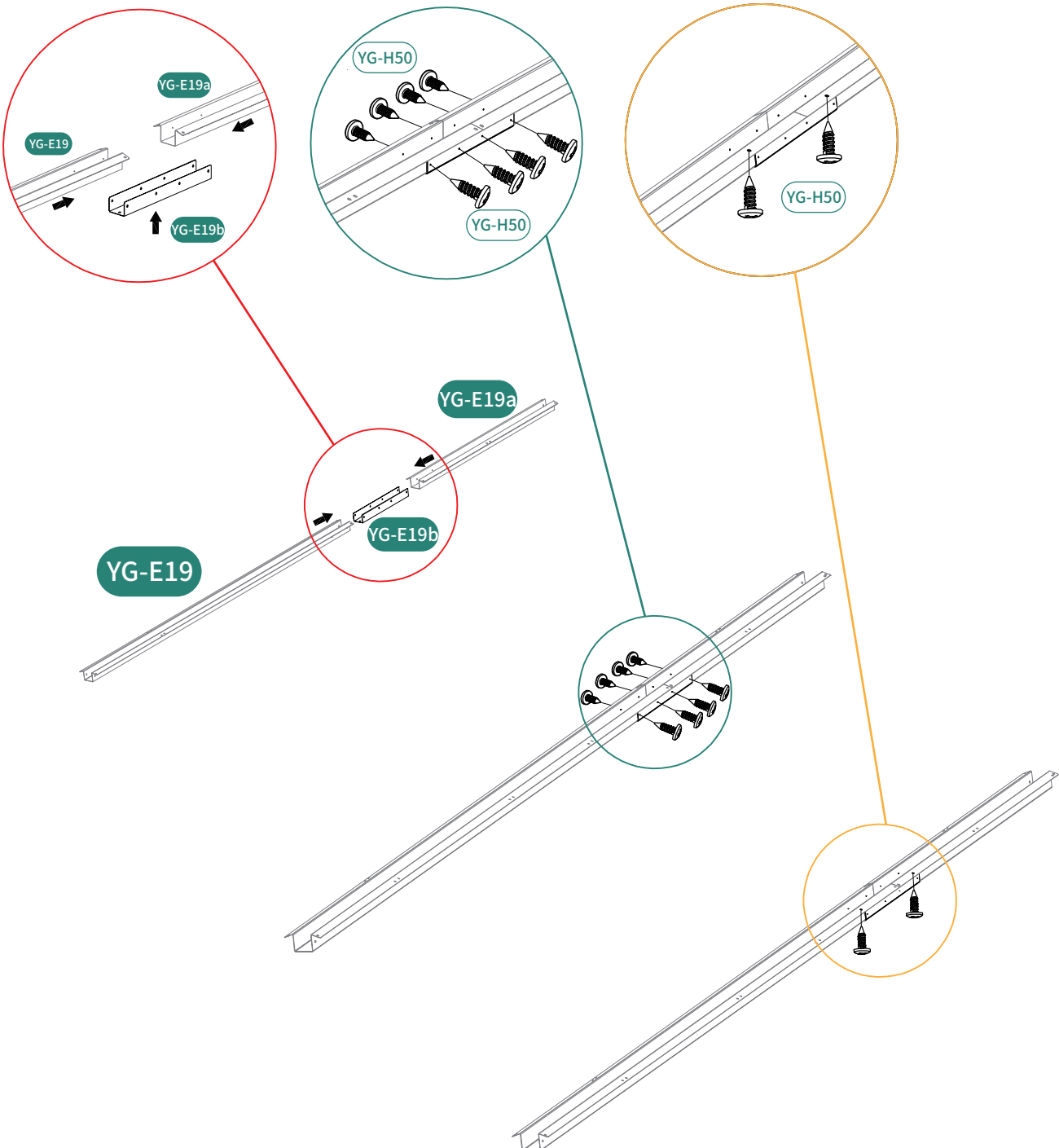


# 34

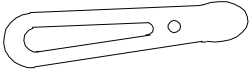
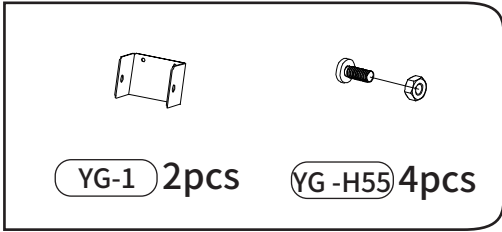
			
YG-E19 1pc	YG-E19a 1pc	YG-E19b 1pc	YG-H50 10pcs



Auxiliary Tools  
CN-A33

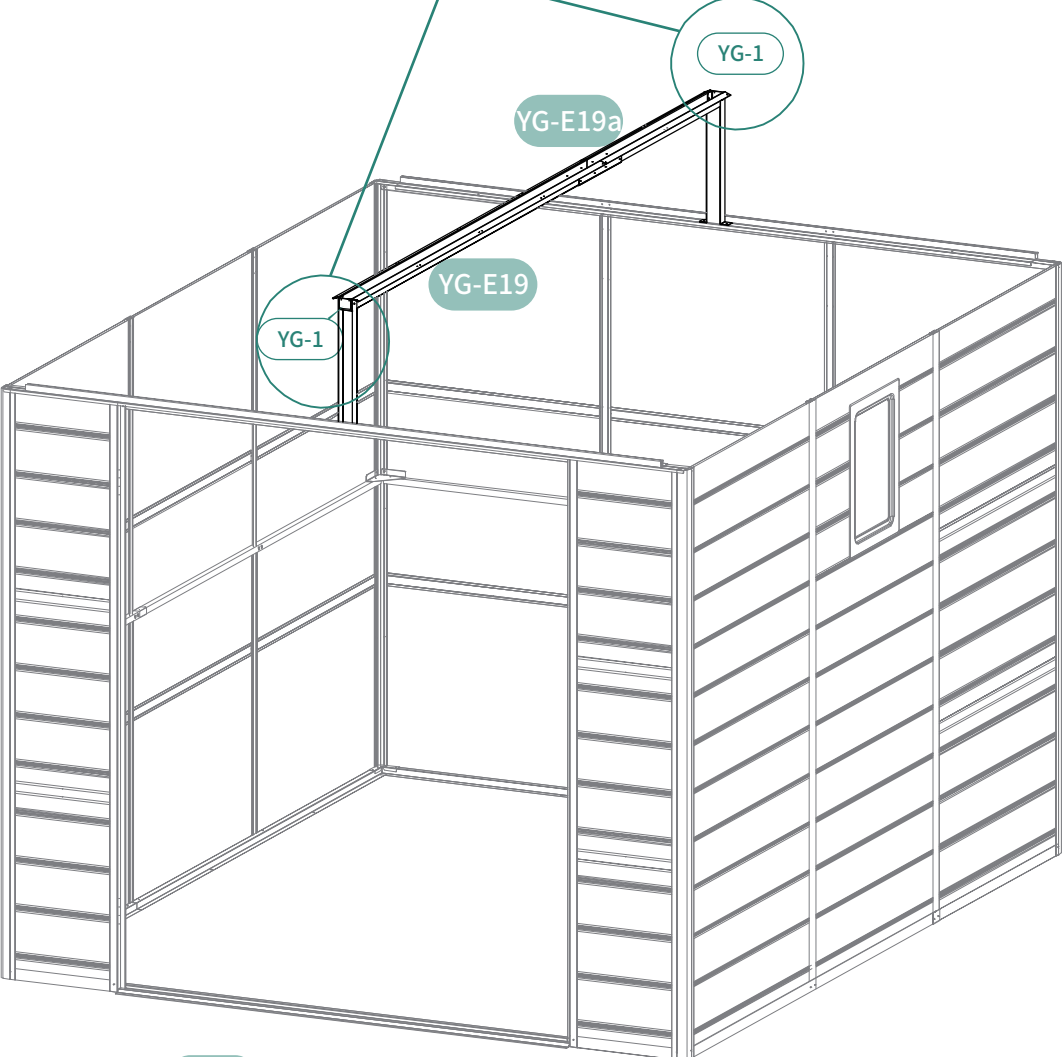
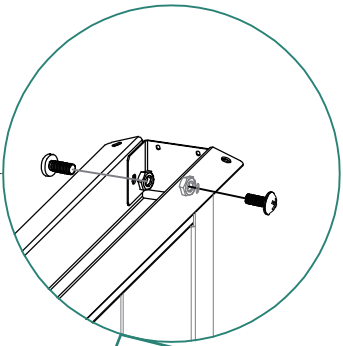
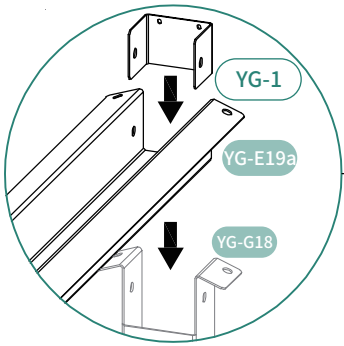


35



Auxiliary Tools

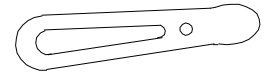
CN-A33



XD-B4

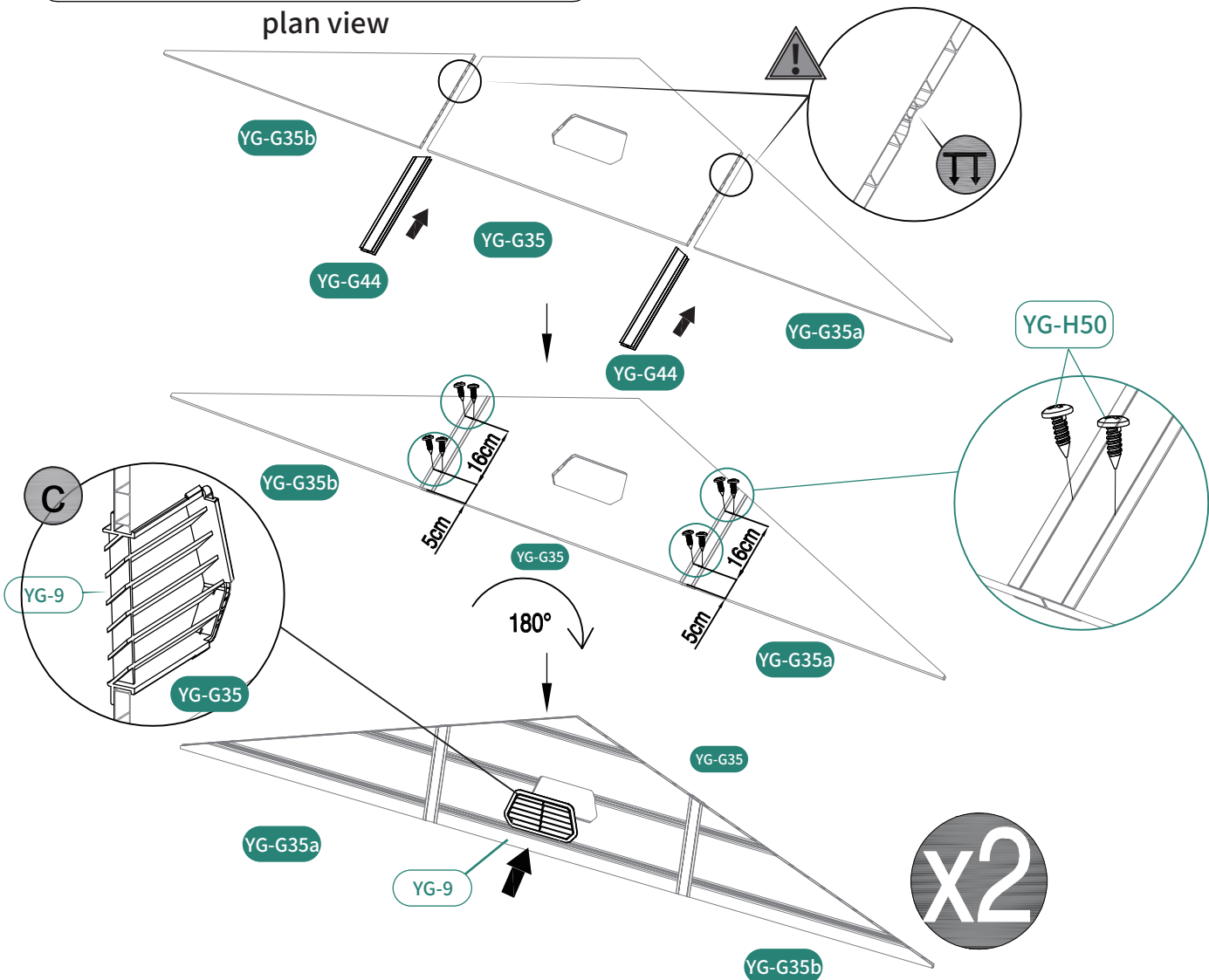
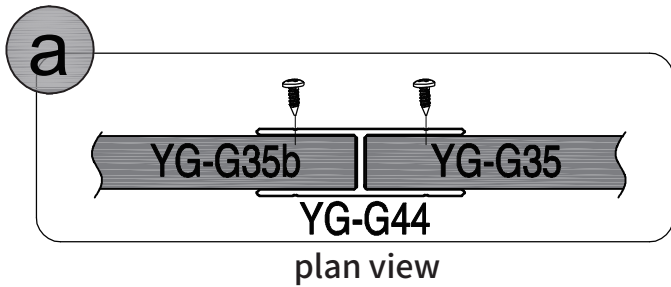
# 36

-  YG-G35 2pcs
-  YG-G35a 2pcs
-  YG-G35b 2pcs
-  YG-G44 4pcs
-  YG-9 2pcs
-  YG-H50 16pcs



Auxiliary Tools

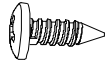
CN-A33



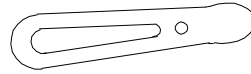
# 37



YG-2 2pcs

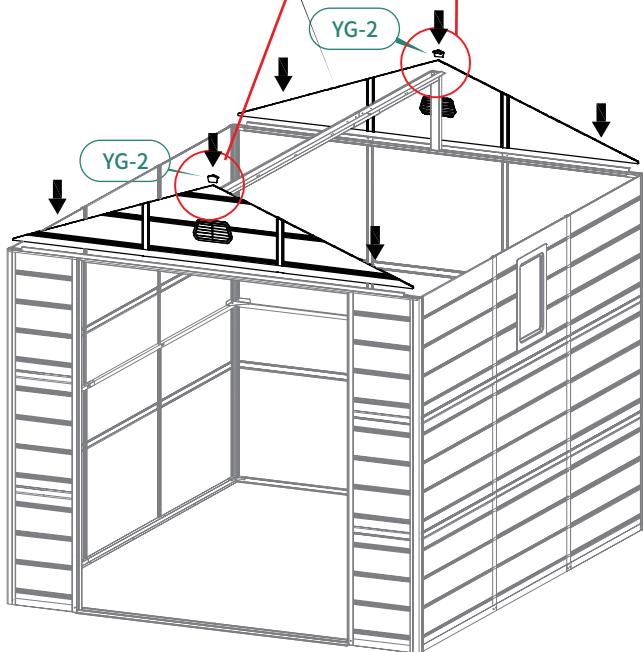
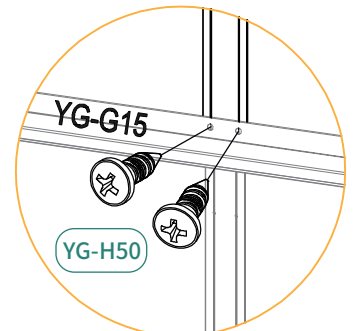
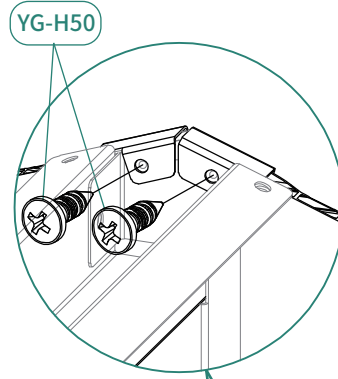
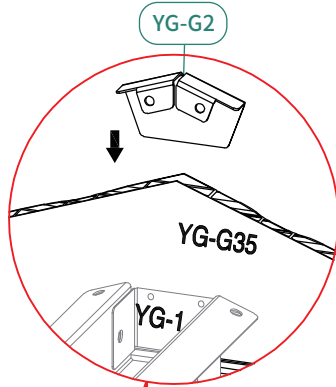
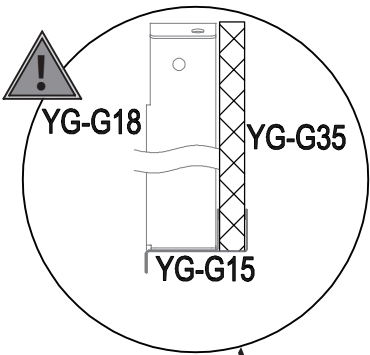


YG-H50 12pcs

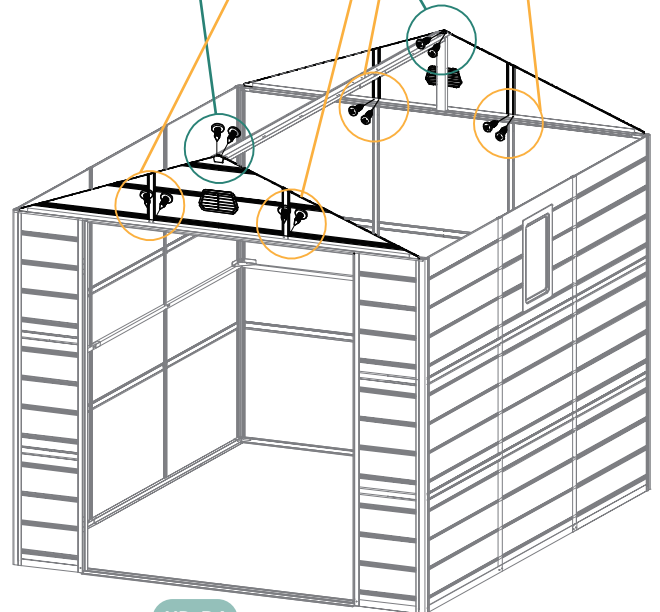


Auxiliary Tools

CN-A33



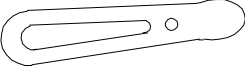
XD-B4



XD-B4

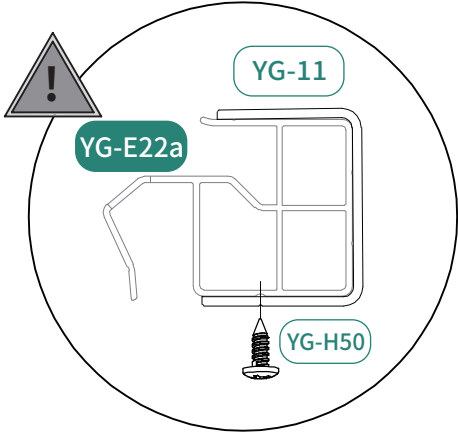
# 38

YG-E22 2pcs    YG-E22a 2pcs    YG-11 2pcs    YG-H50 4pcs

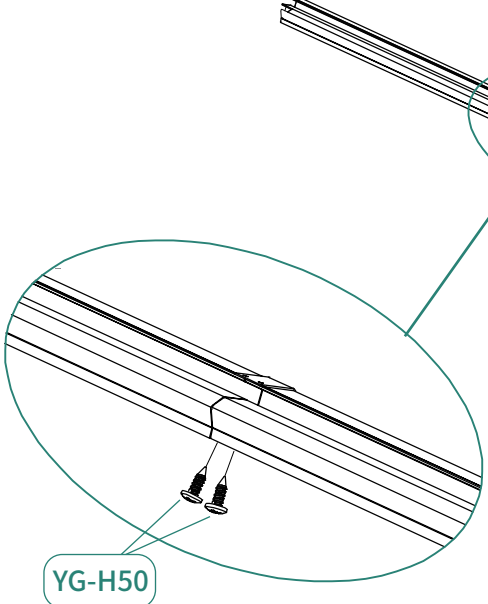
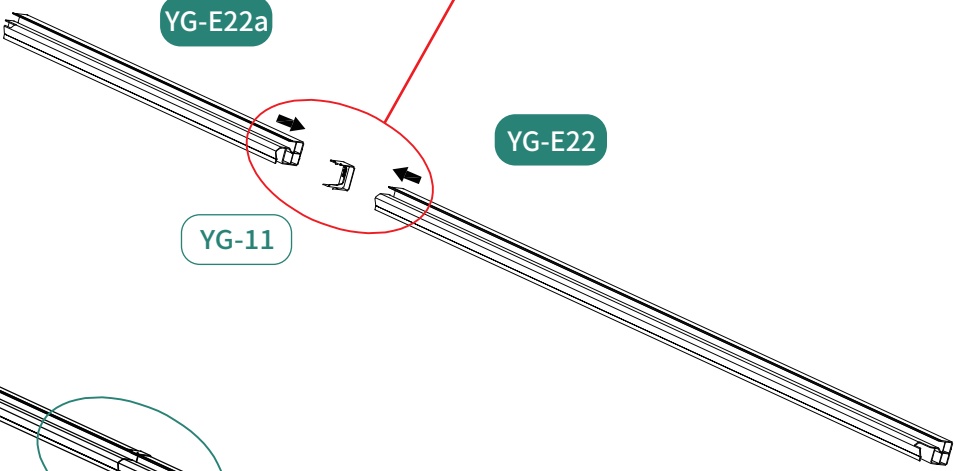
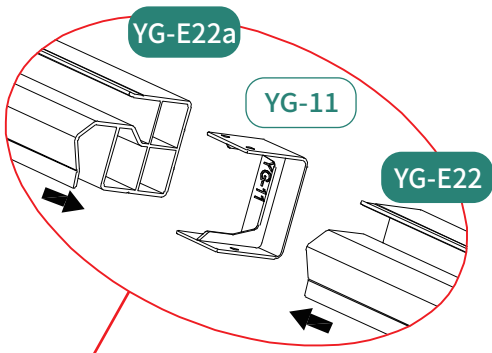


Auxiliary Tools

CN-A33



plan view

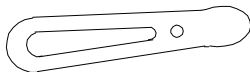


X2

# 39

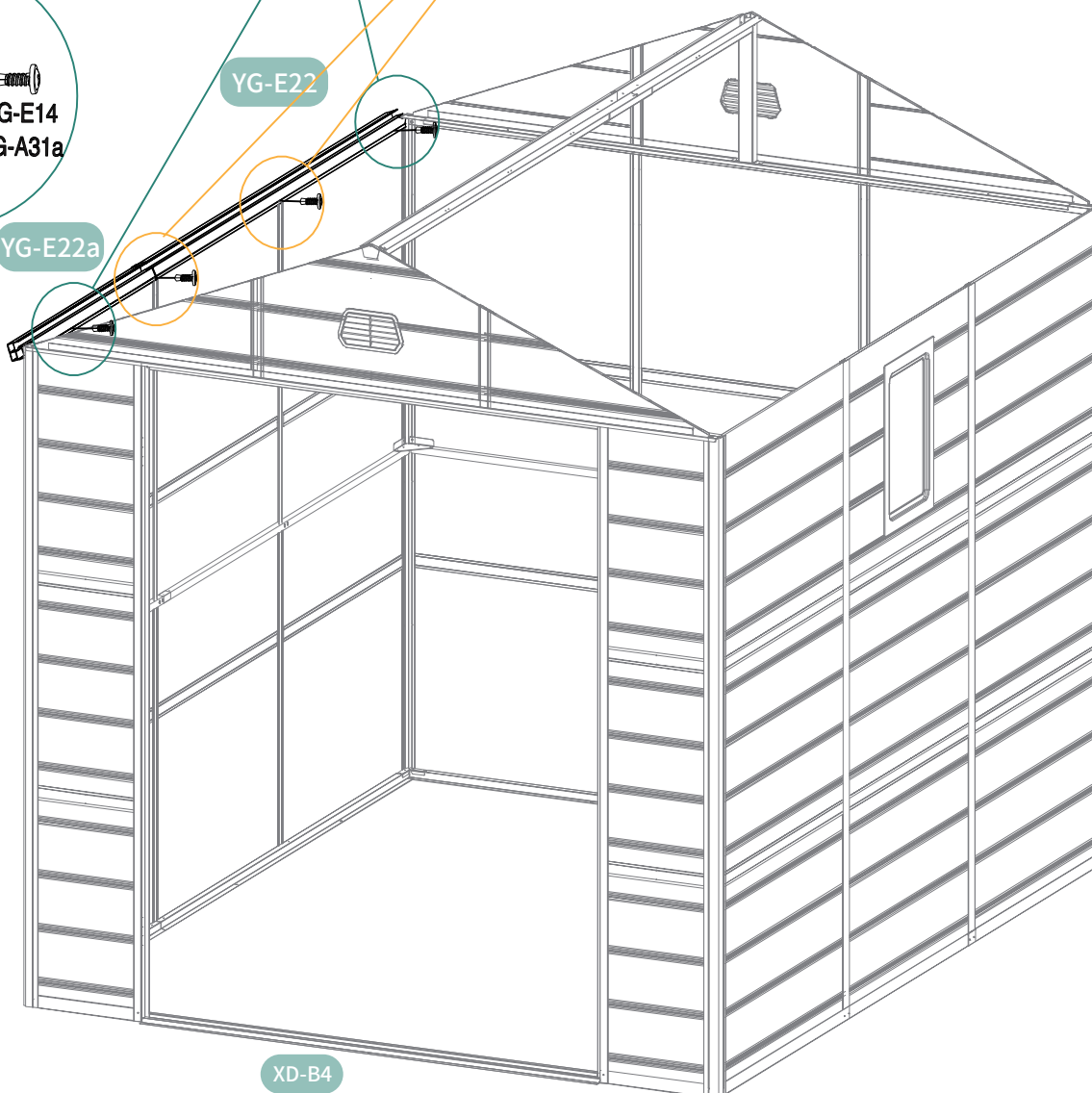
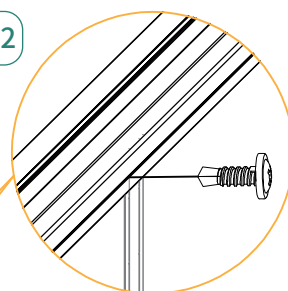
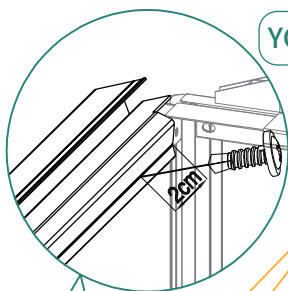
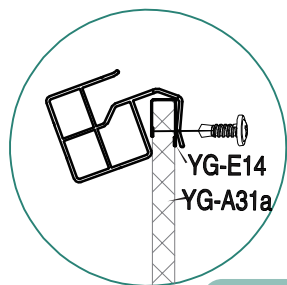
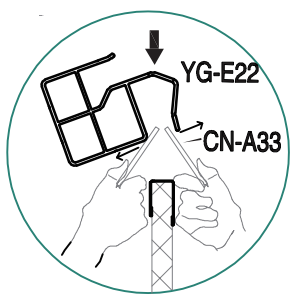


YG-H52 4pcs



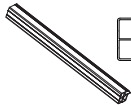
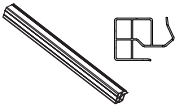
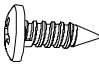
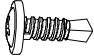
Auxiliary Tools

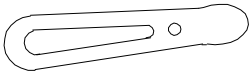
CN-A33



XD-B4

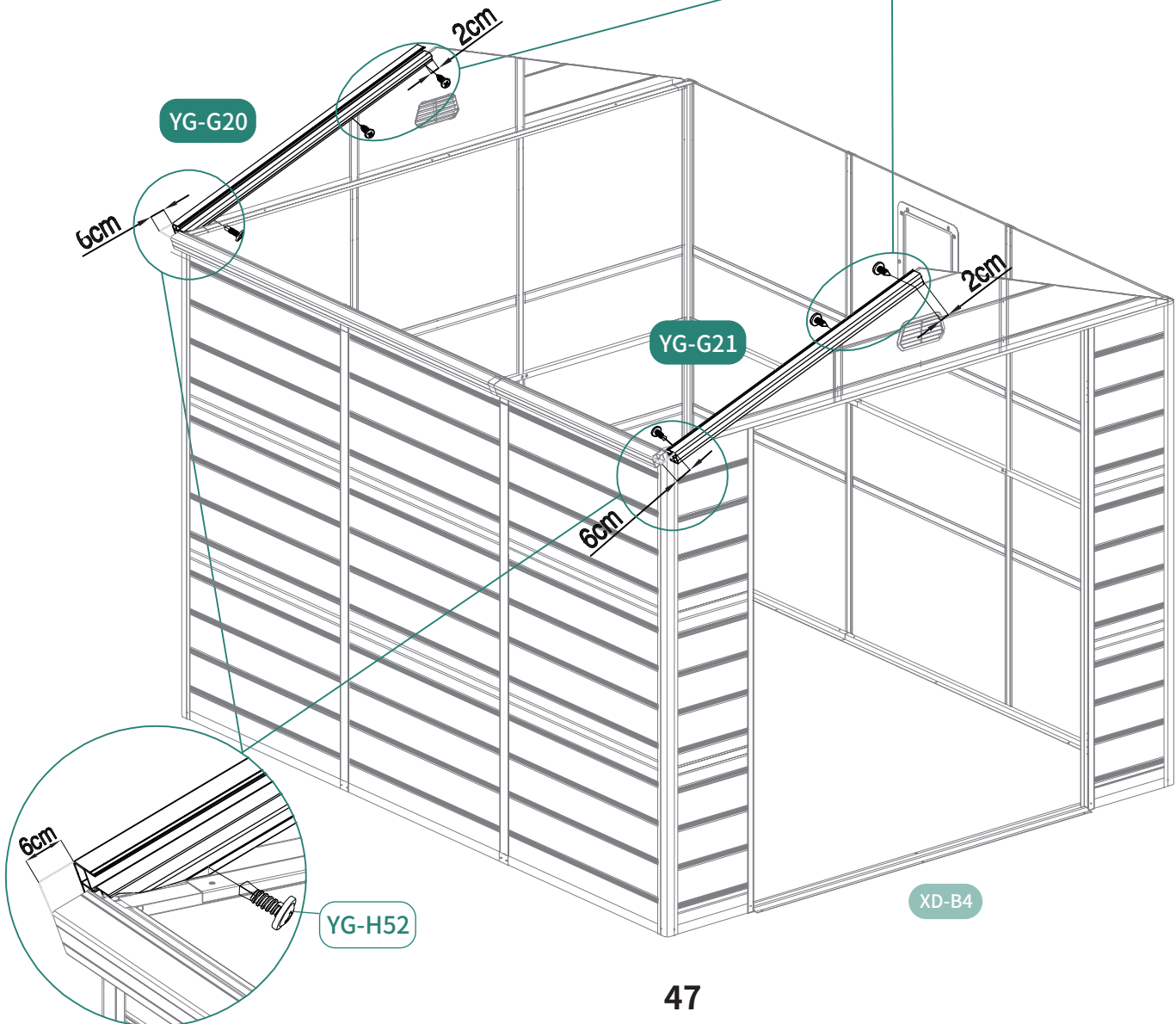
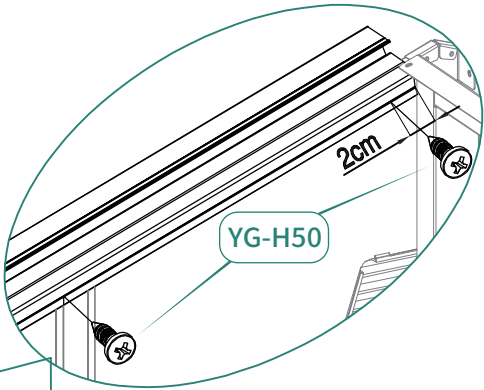
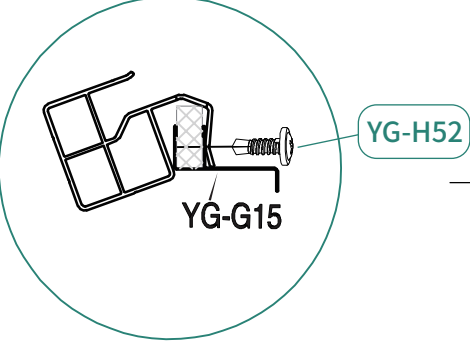
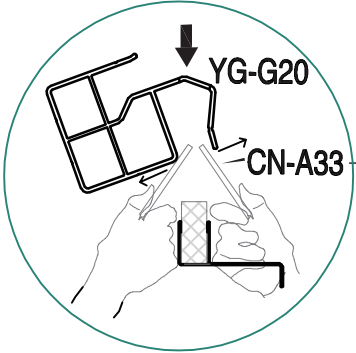
# 40

			
YG-G20 1pc	YG-G21 1pc	YG-H50 4pcs	YG-H52 2pcs



Auxiliary Tools

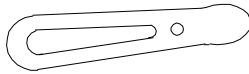
CN-A33



41

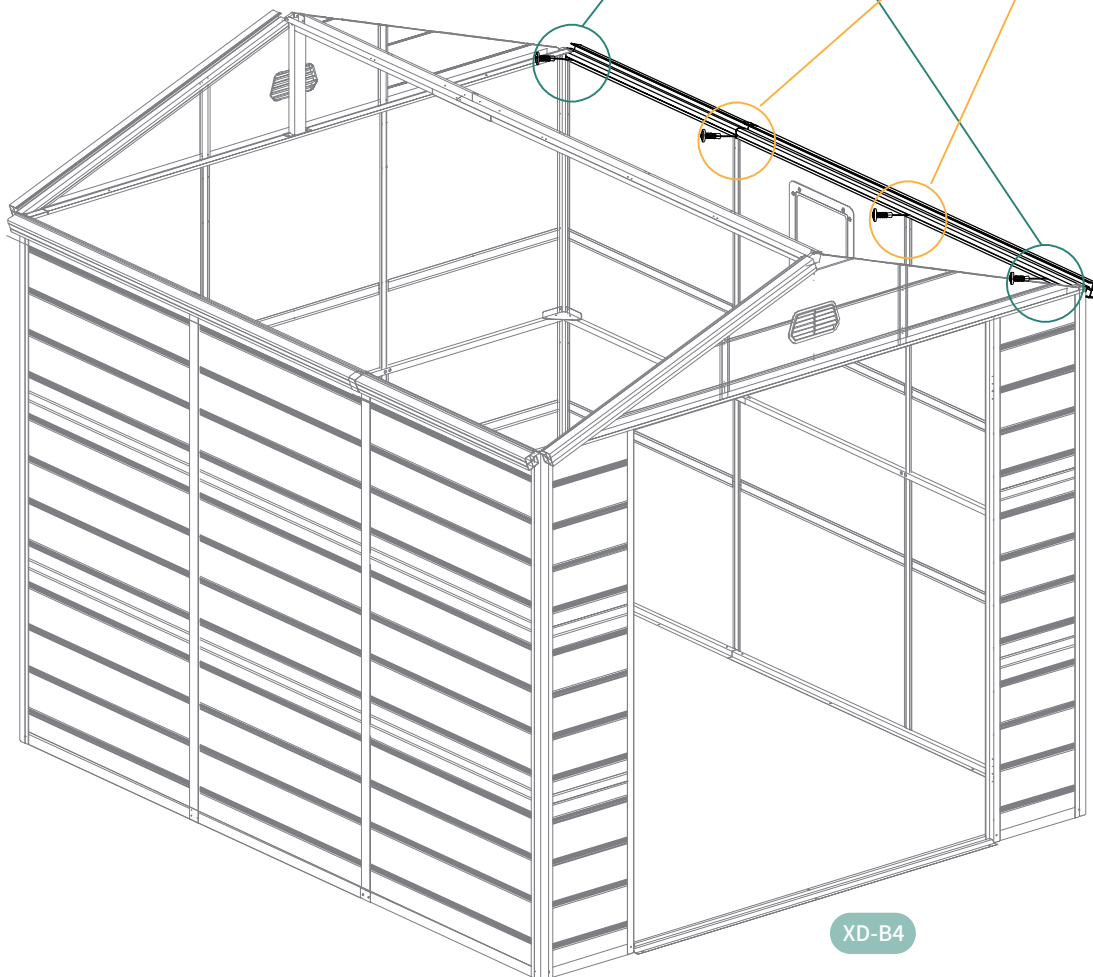
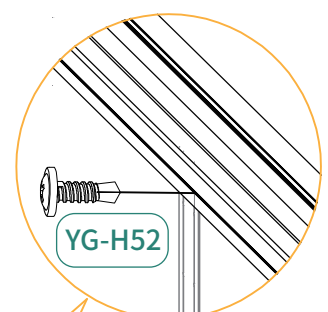
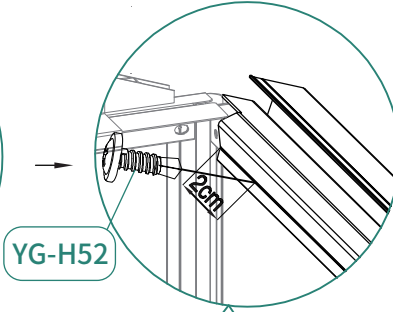
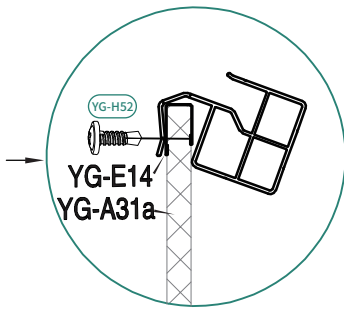
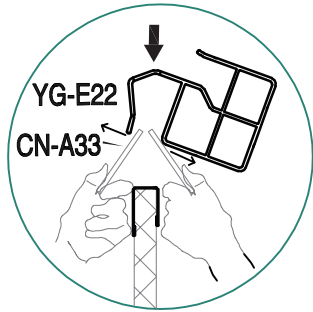


YG-H52 4pcs



Auxiliary Tools

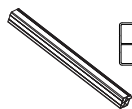
CN-A33



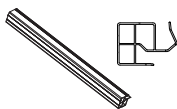
XD-B4



# 42



YG-G20 1pc



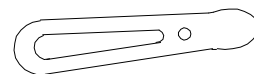
YG-G21 1pc



YG-H50 4pcs

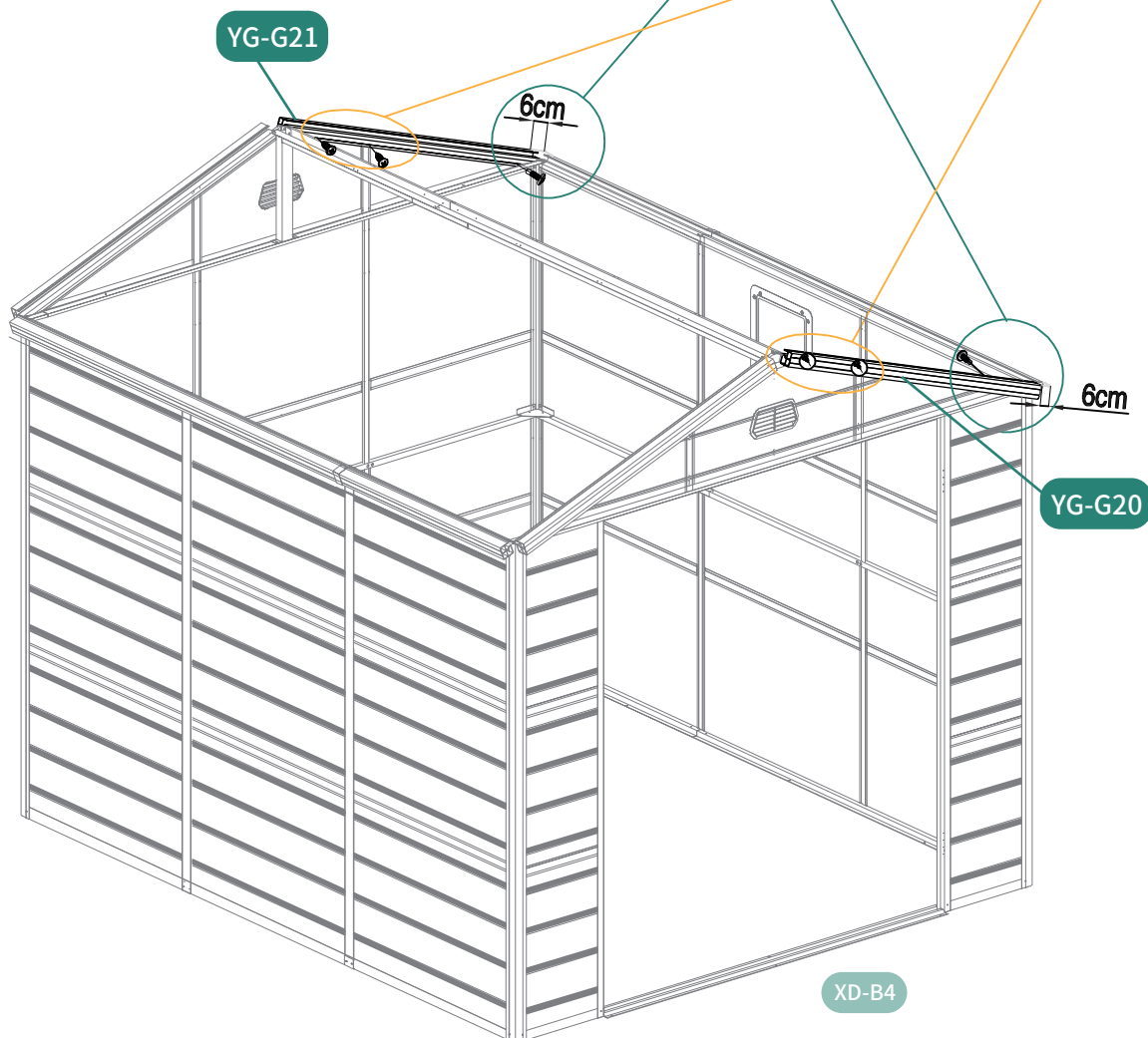
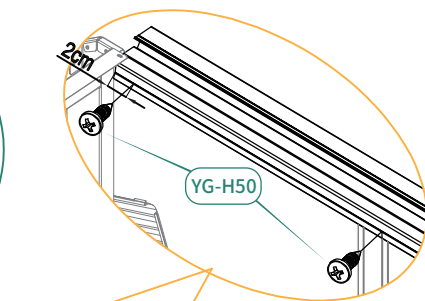
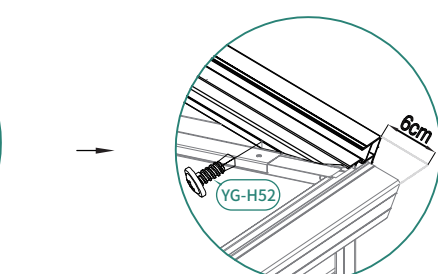
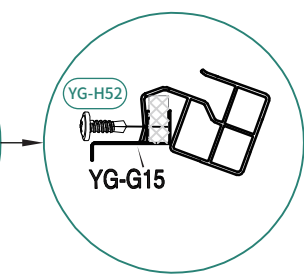
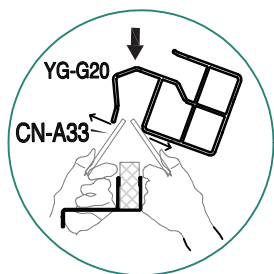


YG-H52 2pcs

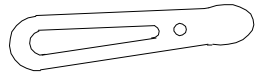
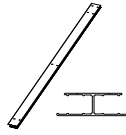
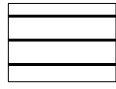
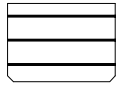


Auxiliary Tools

CN-A33



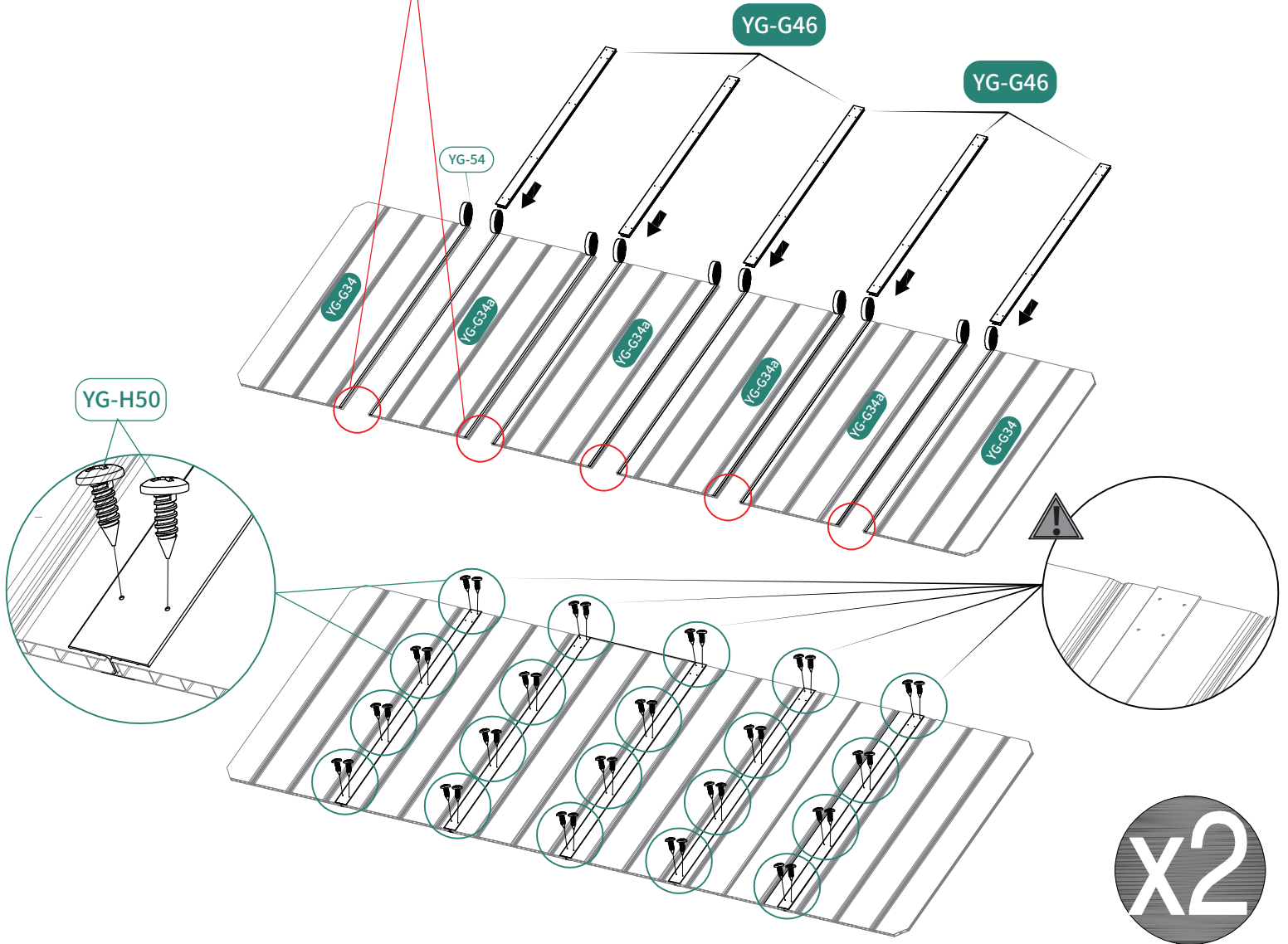
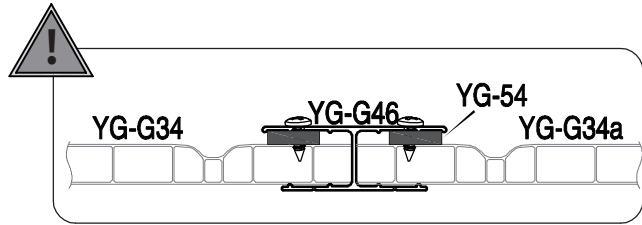
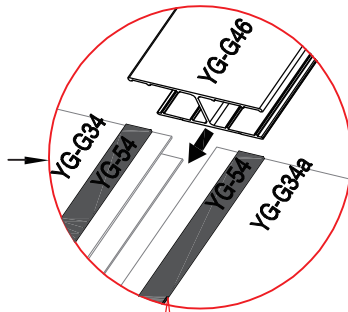
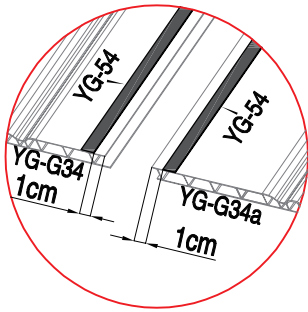
# 43



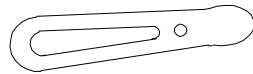
Auxiliary Tools

CN-A33

YG-G34 4pcs YG-G34a 8pcs YG-G46 10pcs YG-54 4pcs YG-H50 80pcs



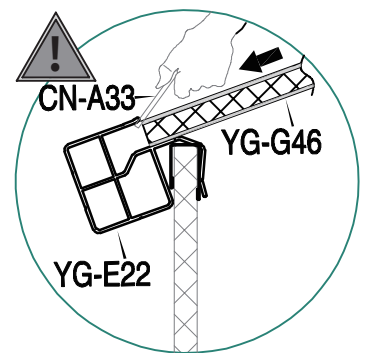
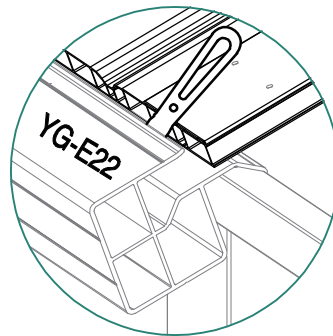
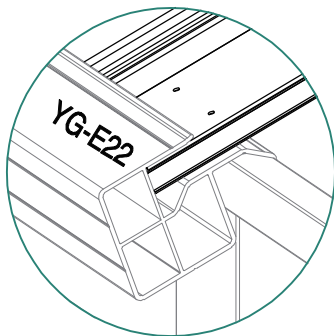
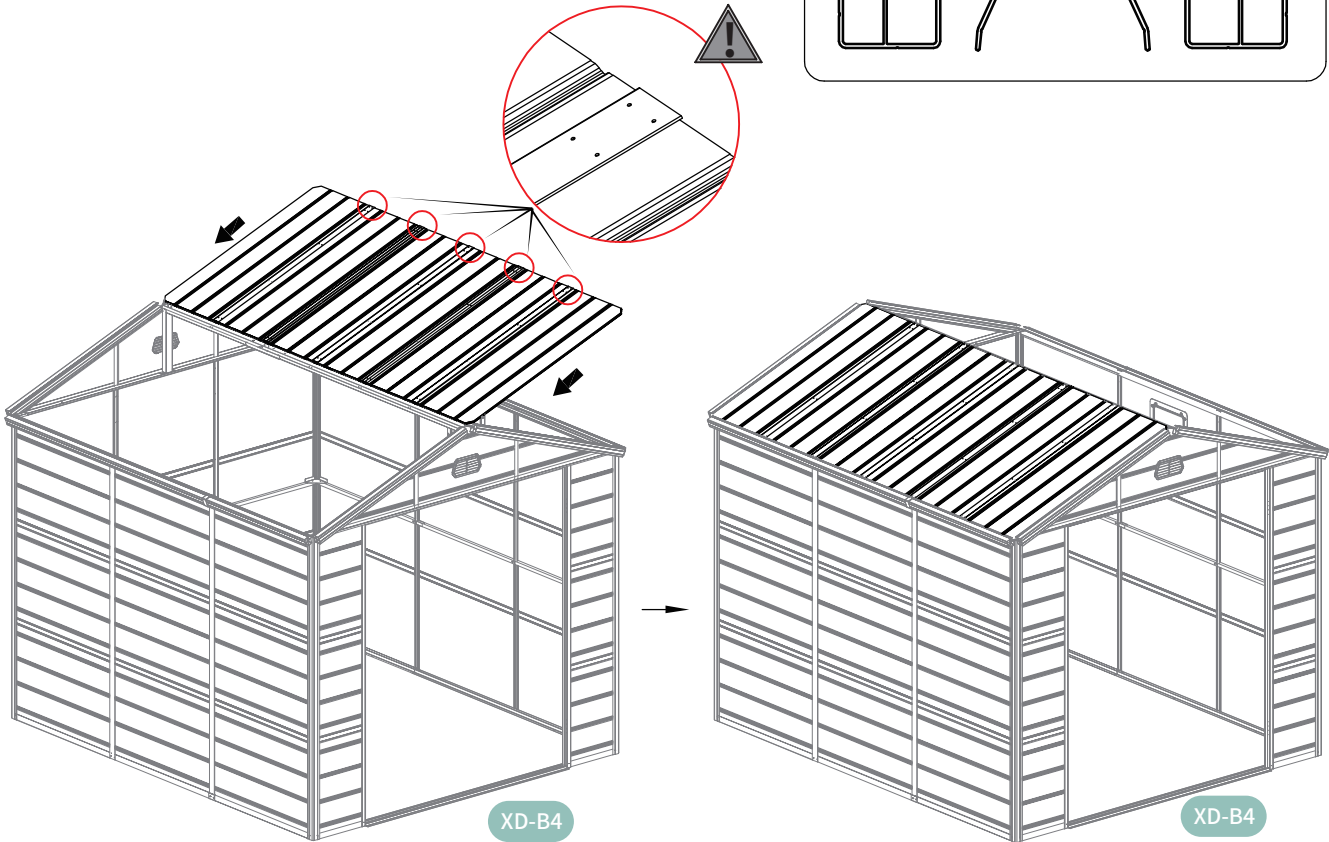
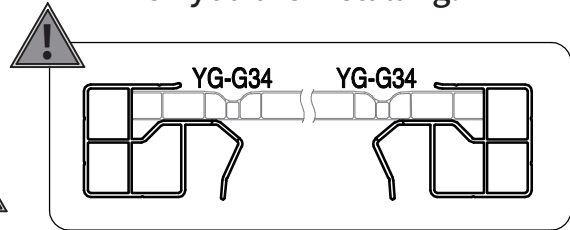
# 44



Auxiliary Tools

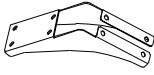
CN-A33

Important: This has 4 holes. Make sure not to ignore them when you are installing.

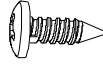


When sliding the roof panels into the slots, please use an assisting tool to ensure they are fully inserted into the tracks.

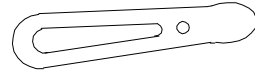
45



YG-3 2pc

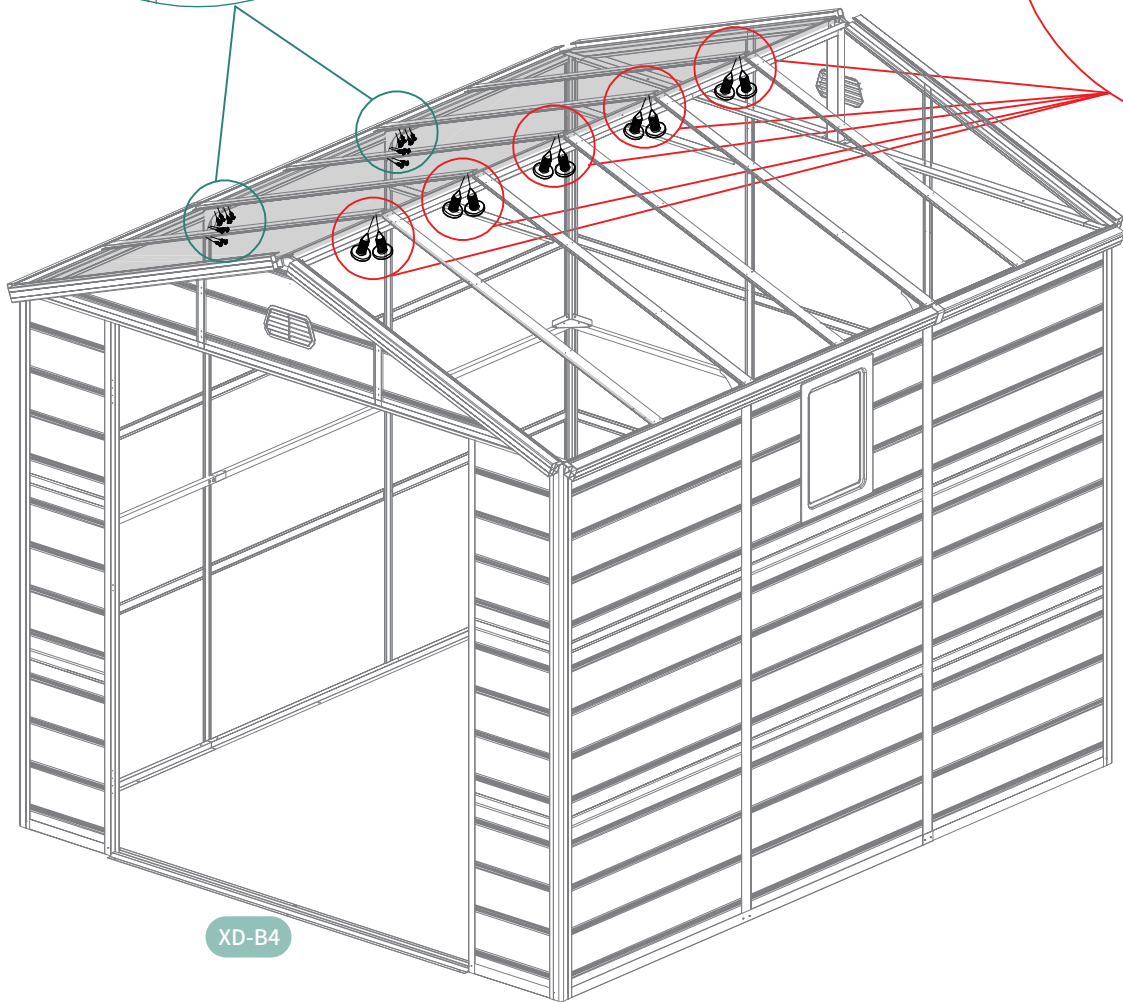
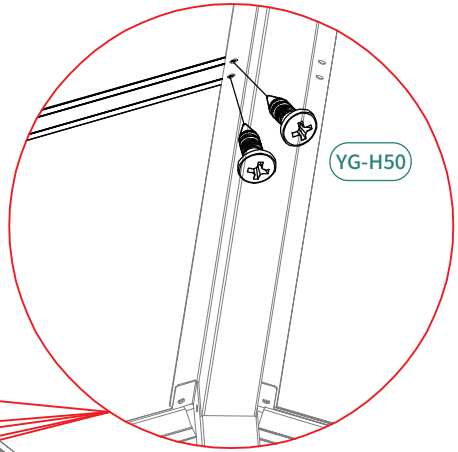
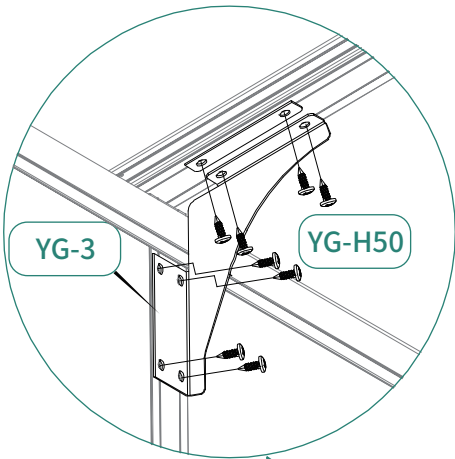


YG-H50 26pcs



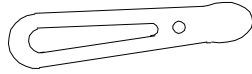
Auxiliary Tools

CN-A33



XD-B4

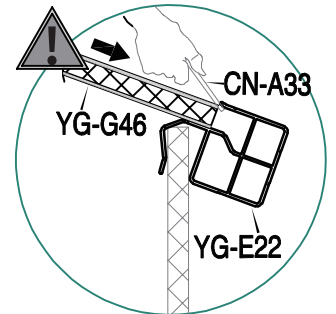
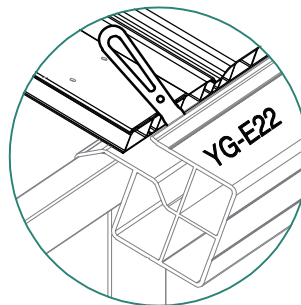
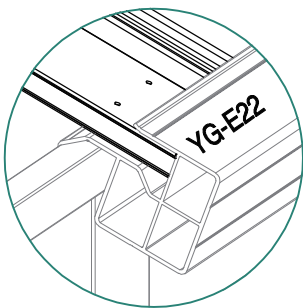
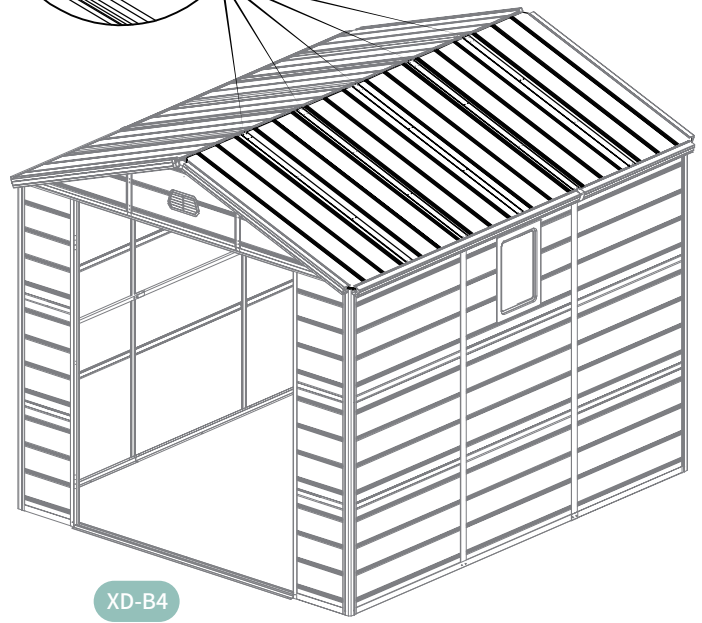
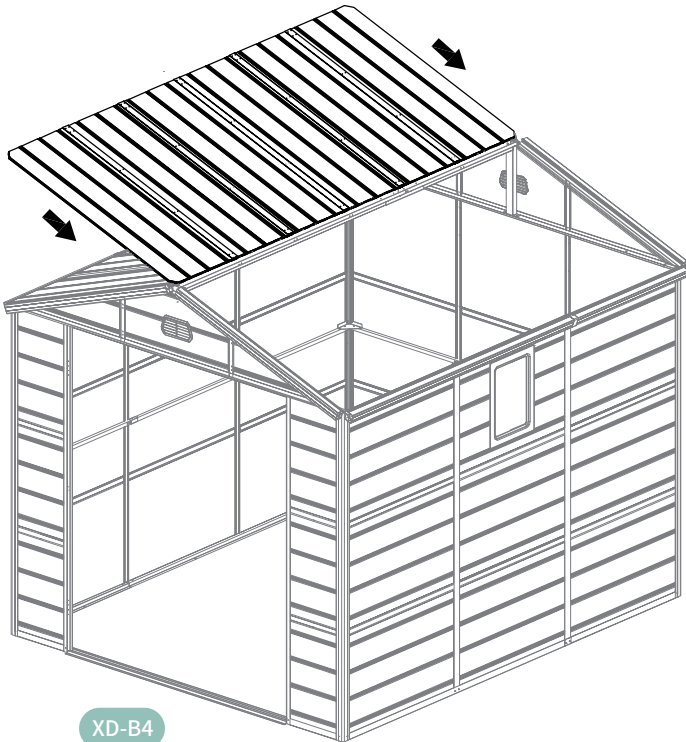
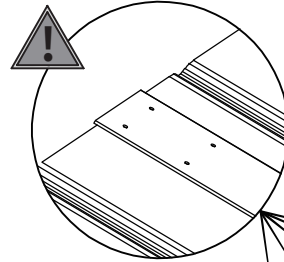
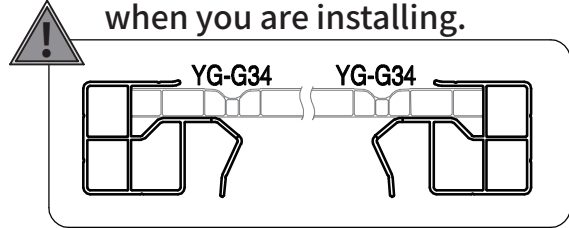
# 46



Auxiliary Tools

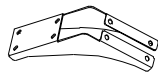
CN-A33

Important: This has 4 holes. Make sure not to ignore them when you are installing.



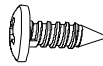
When sliding the roof panels into the slots, please use an assisting tool to ensure they are fully inserted into the tracks.

47



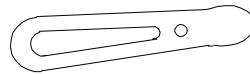
YG-3

2pcs



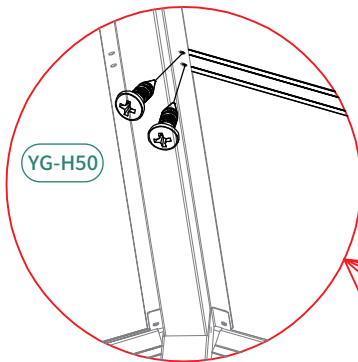
YG-H50

26pcs

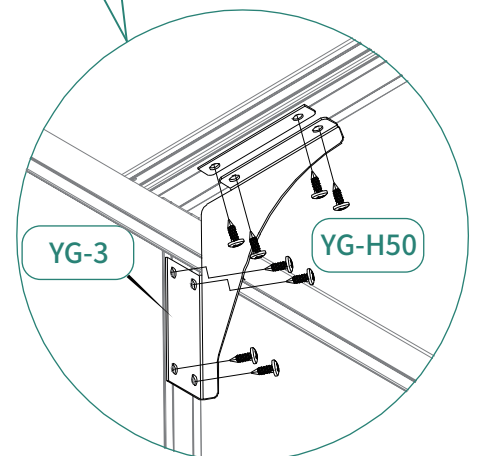
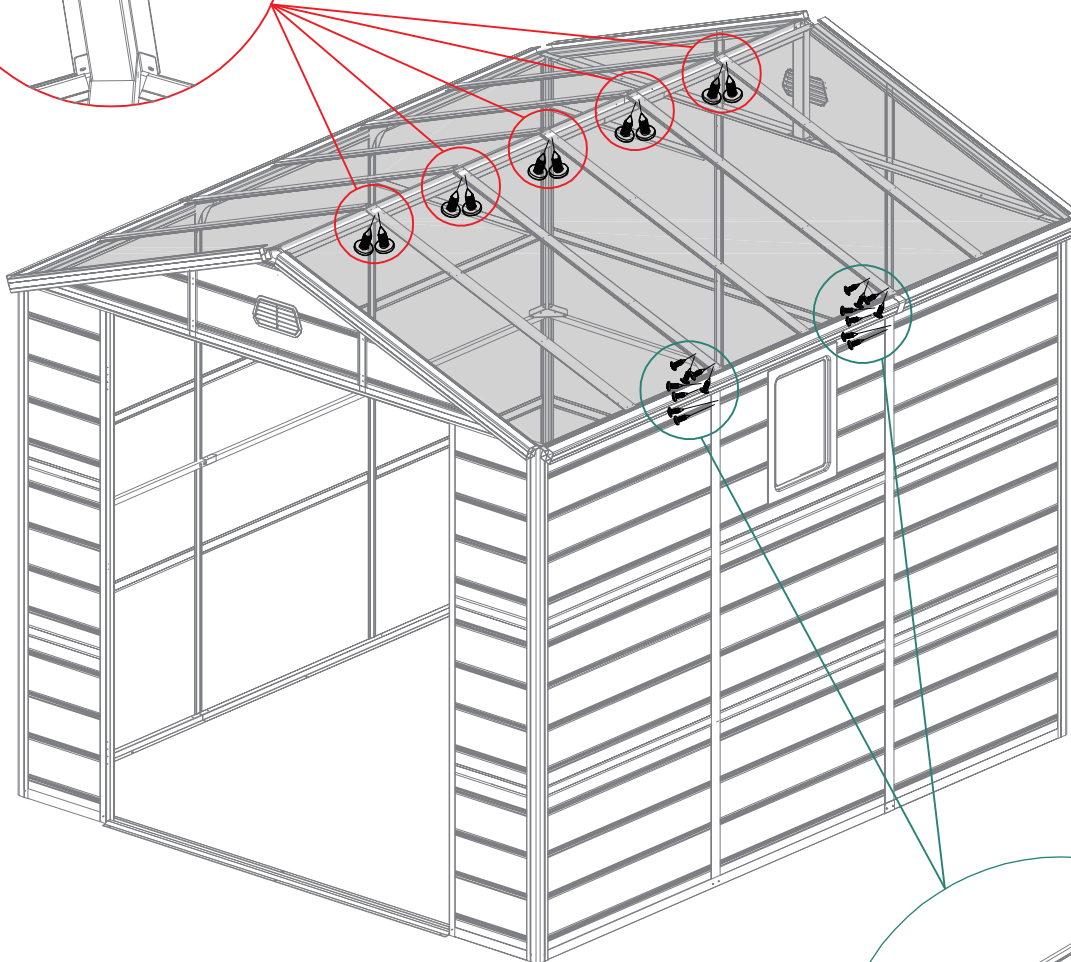


Auxiliary Tools

CN-A33



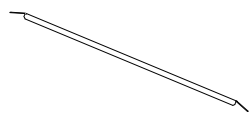
YG-H50



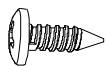
YG-3

YG-H50

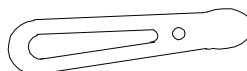
# 48



YG-D28 2pcs

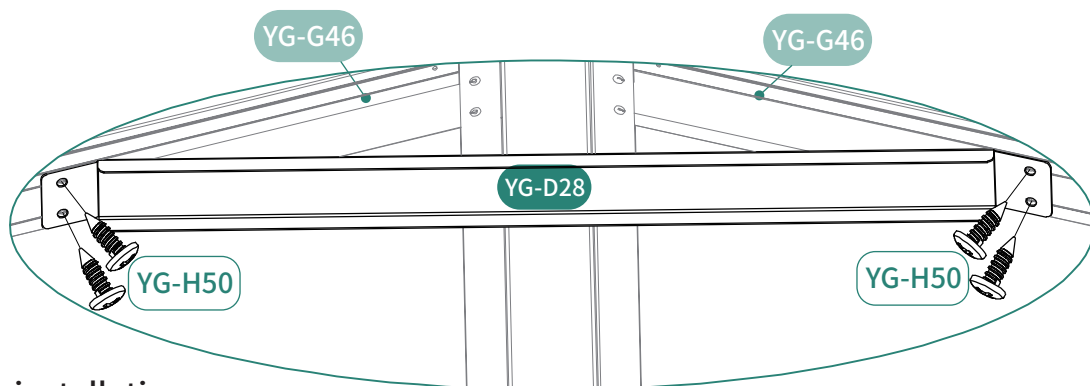


YG-H50 8pcs

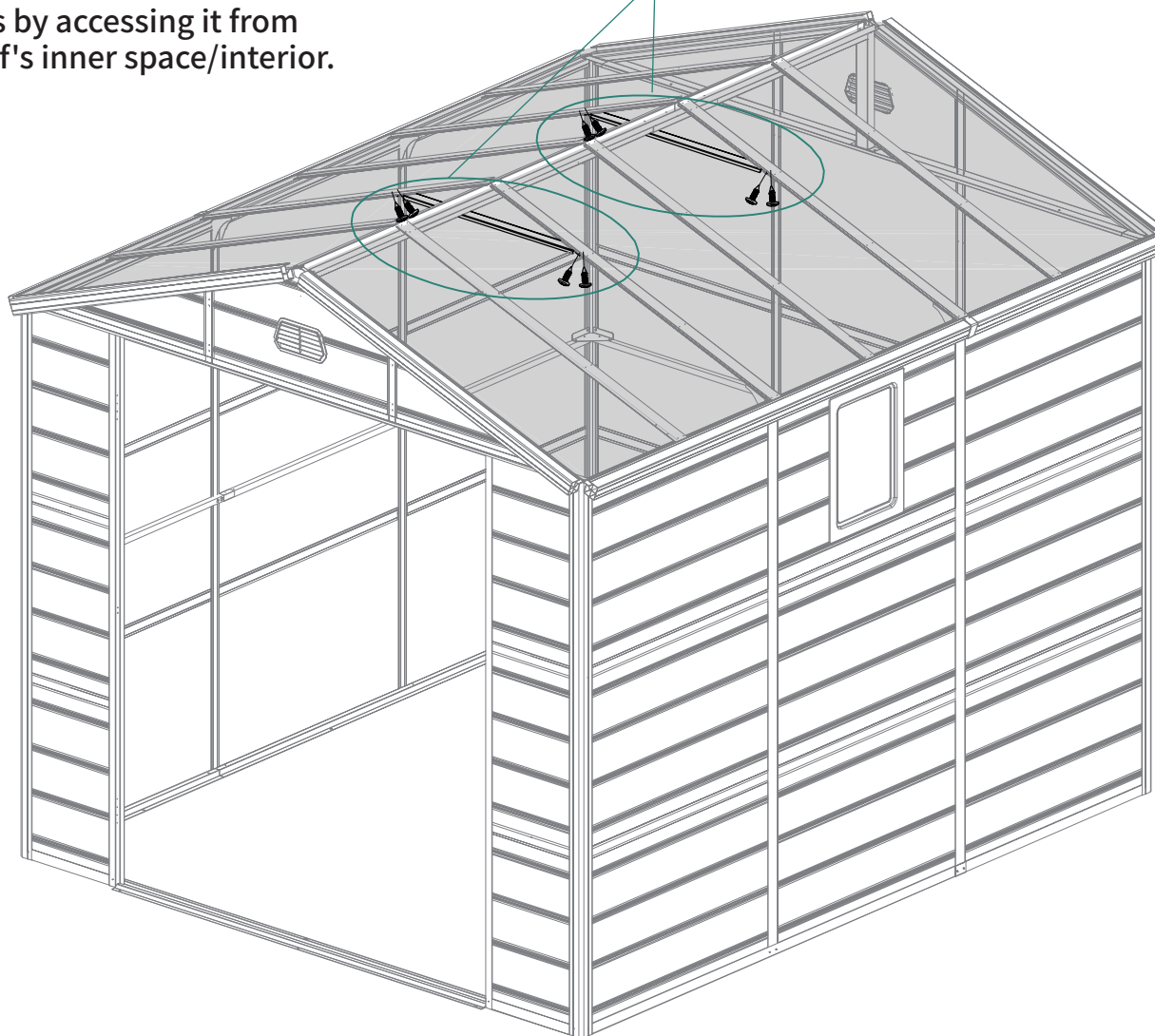


Auxiliary Tools

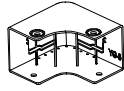
CN-A33



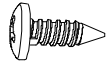
Undertake the installation process by accessing it from the roof's inner space/interior.



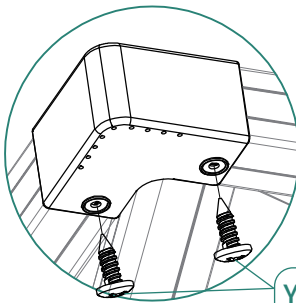
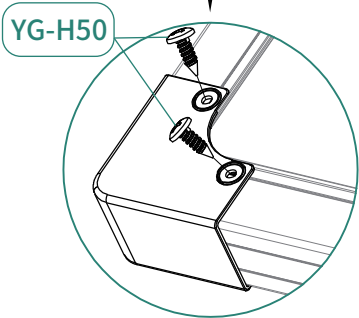
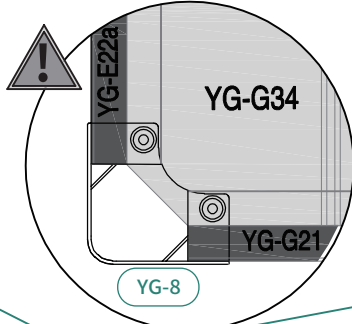
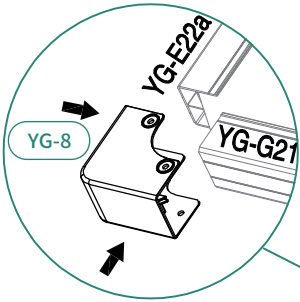
# 49



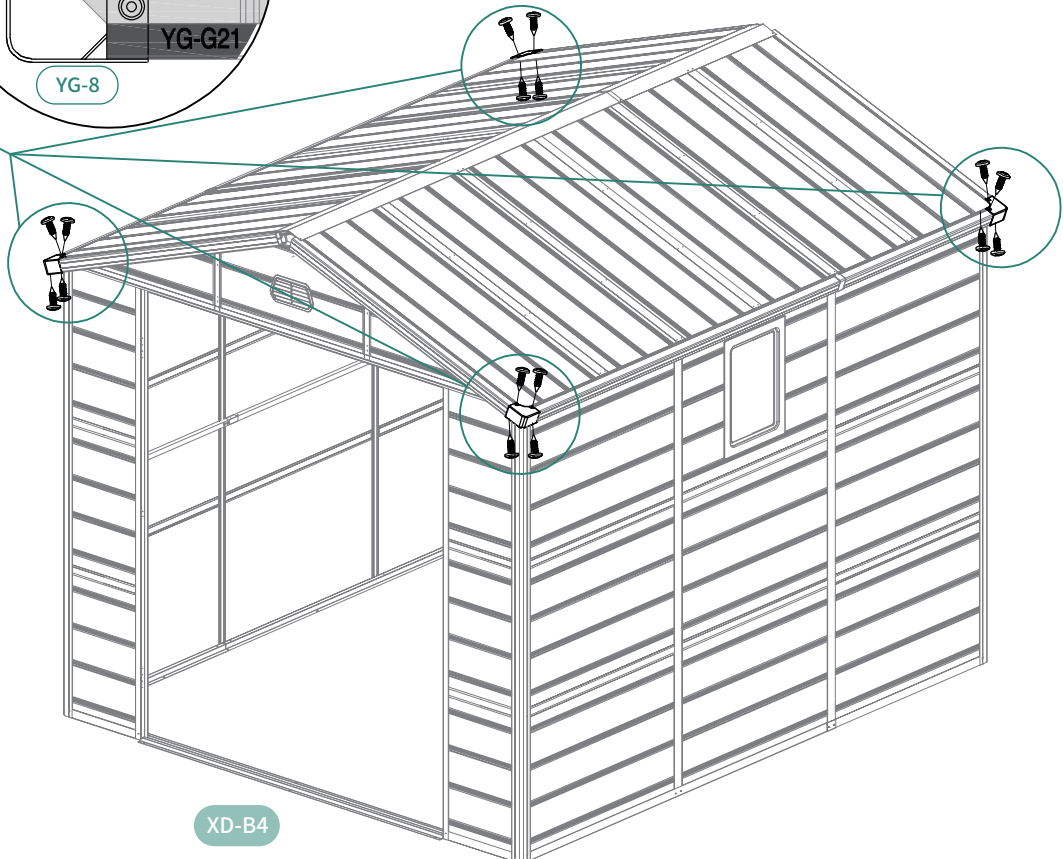
YG-8 4pcs



YG-H50 16pcs

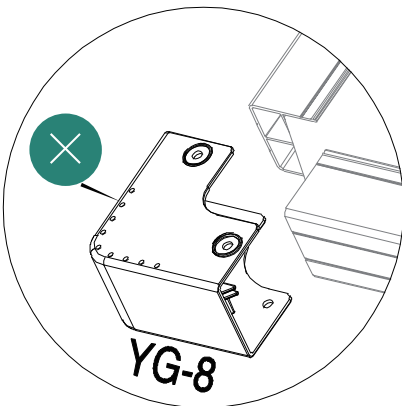


YG-H50

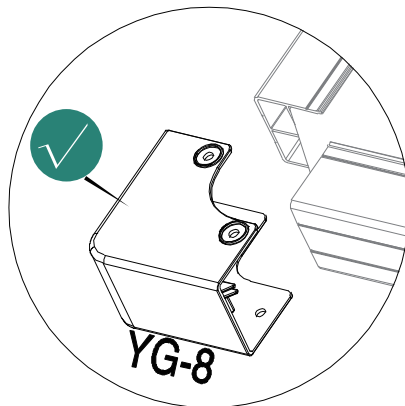


YG-H50

XD-B4



YG-8

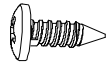


YG-8

Remember to position the drainage holes pointing down when putting in the corner/edge accessory pieces.



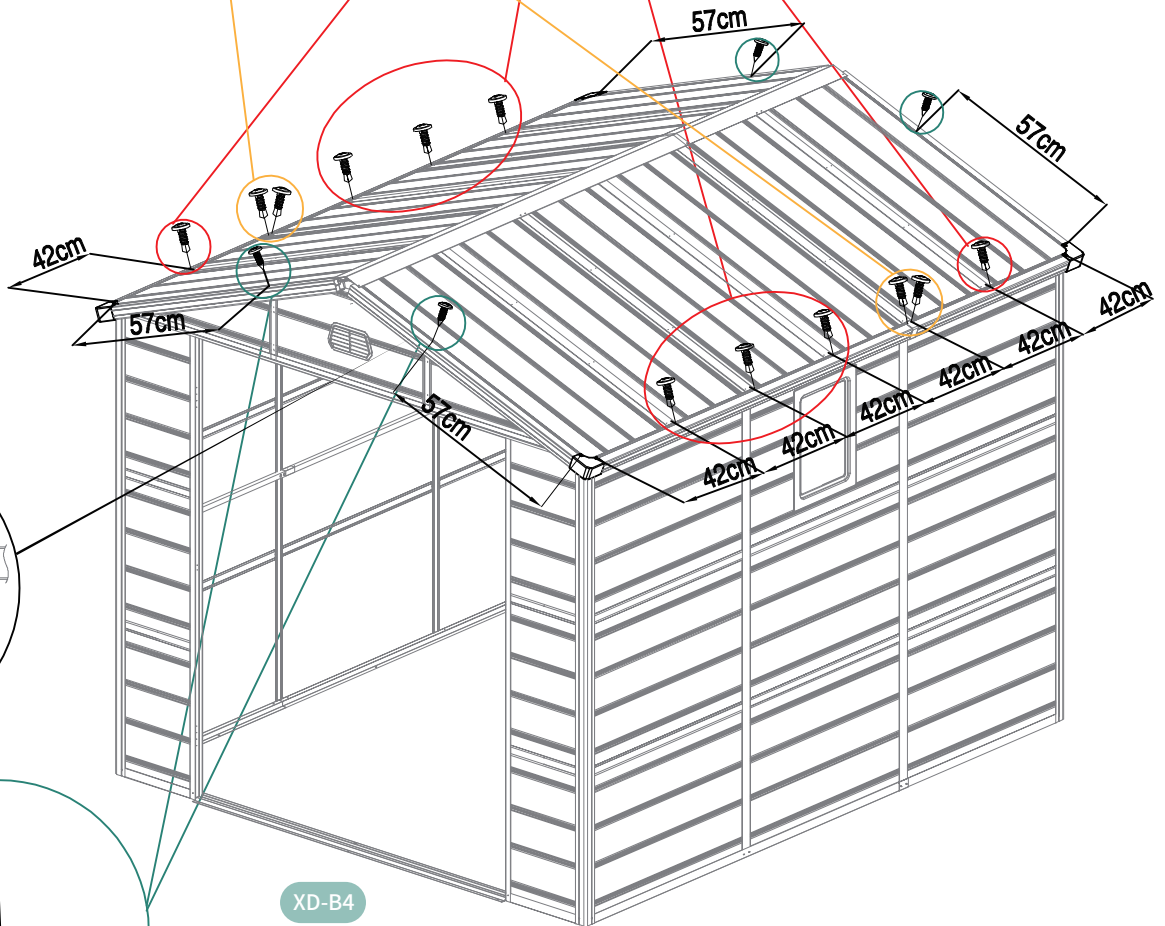
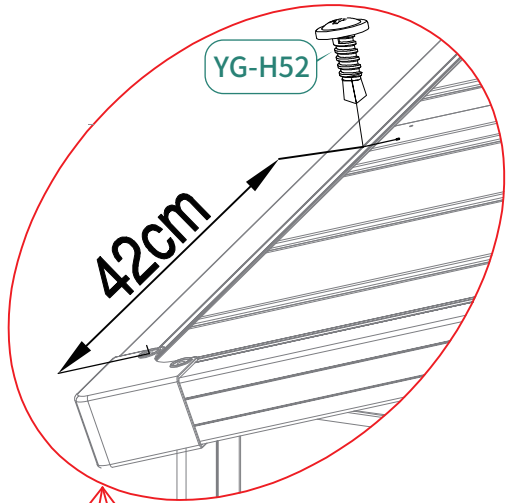
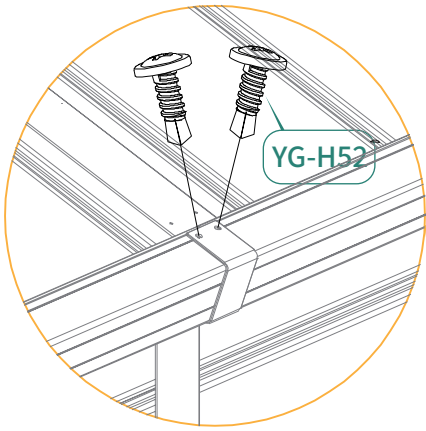
50



YG-H50 4pcs



YG-H52 12pcs



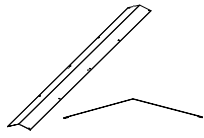
YG-H50

YG-G34

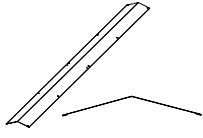
YG-H50

XD-B4

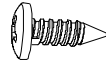
51



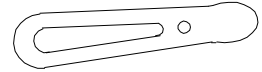
YG-E23 1pc



YG-E23a 1pc

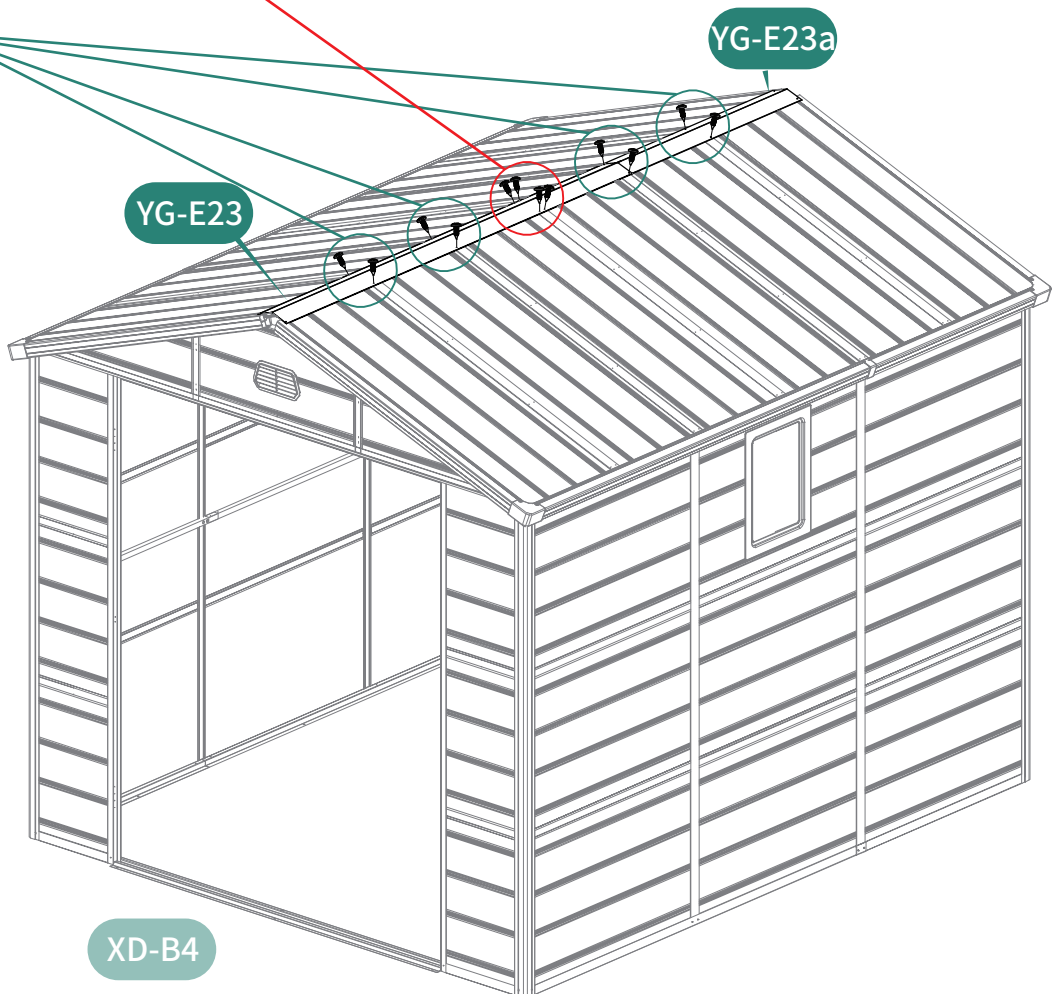
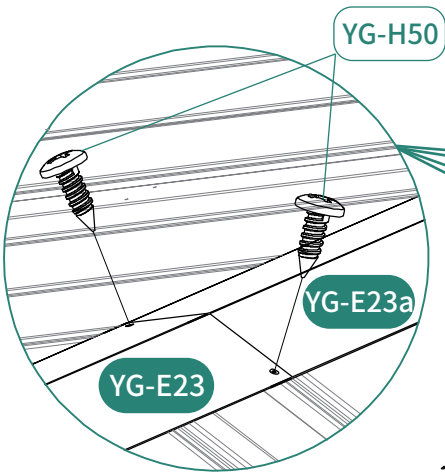
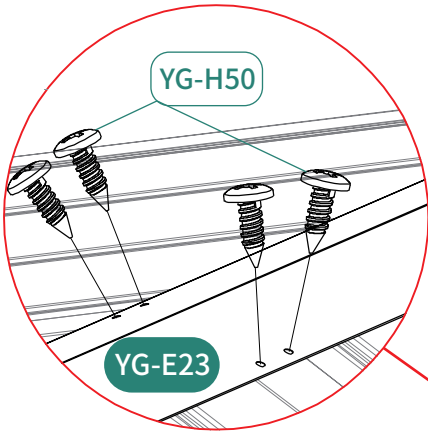


YG-H50 12pcs



Auxiliary Tools

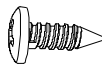
CN-A33



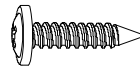
52



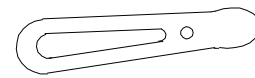
YG-7 2pcs



YG-H50 4pcs

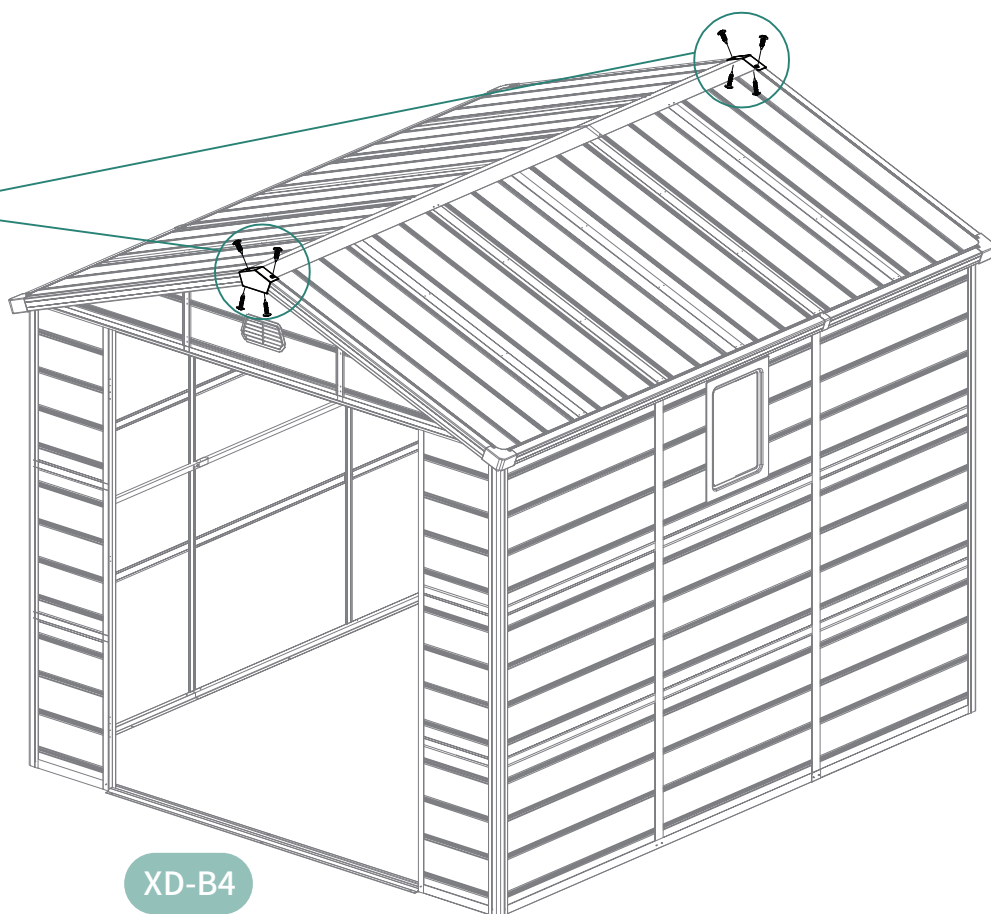
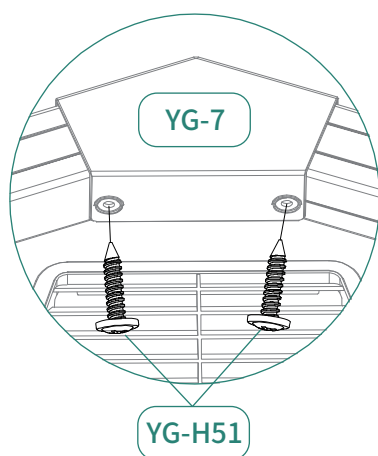
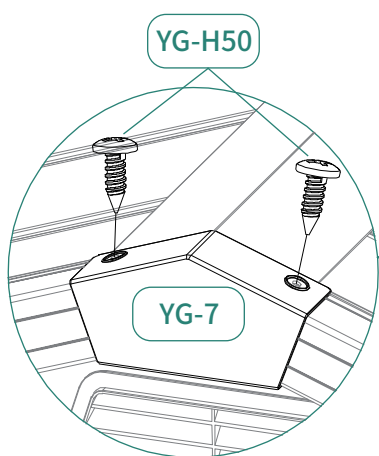


YG-H51 4pcs

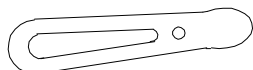
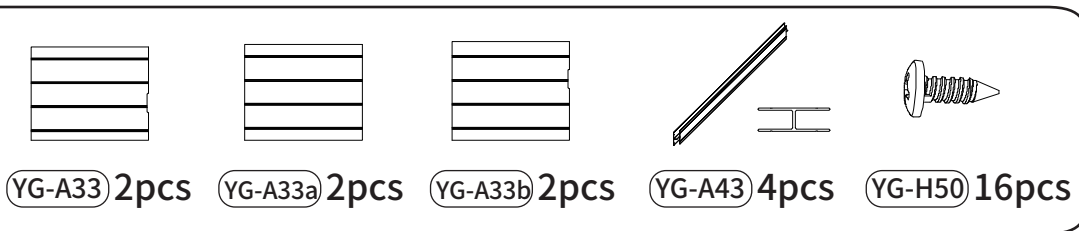


Auxiliary Tools

CN-A33

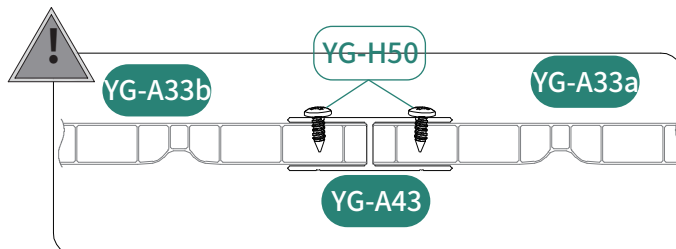


# 53

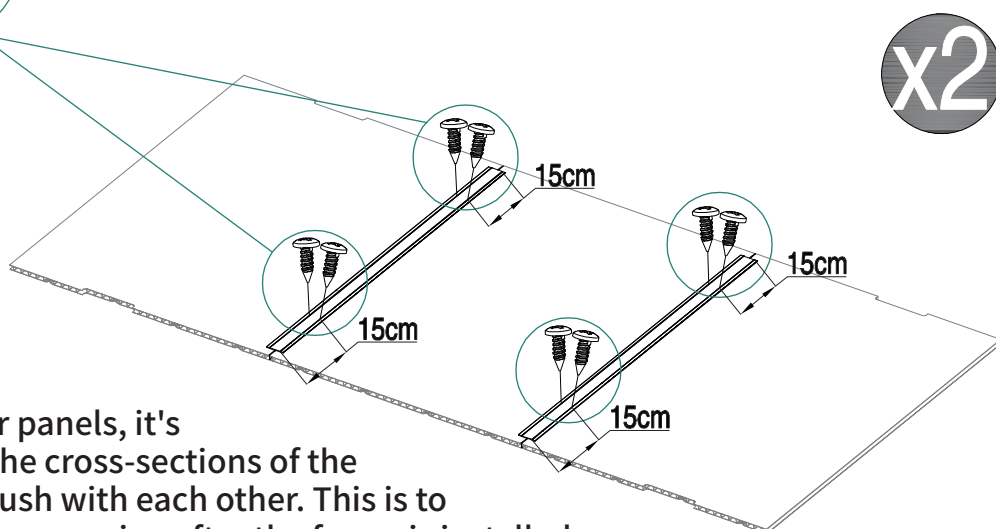
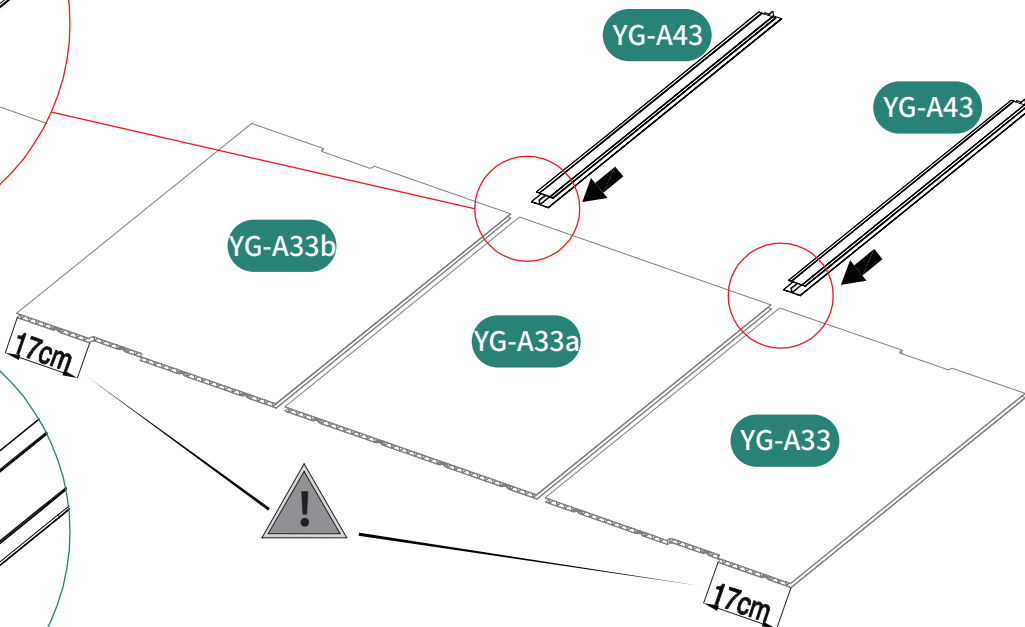
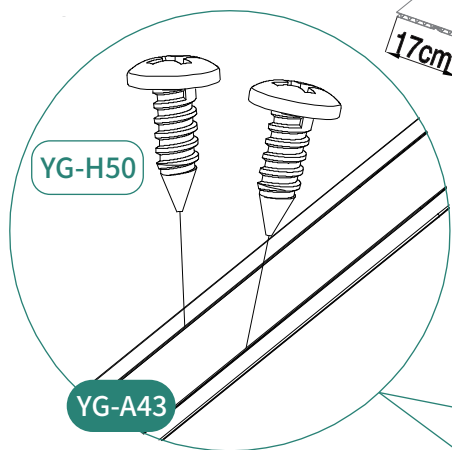
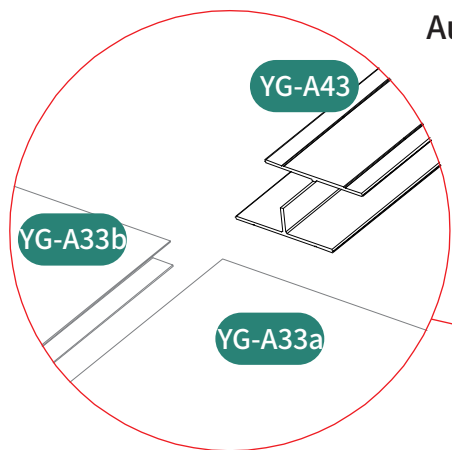


Auxiliary Tools

CN-A33

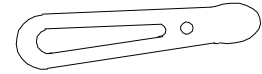
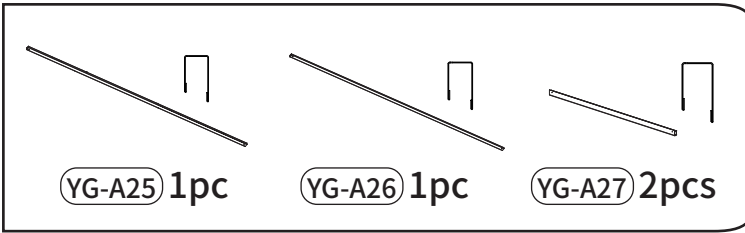


When installing, make sure the smooth/flat surfaces are aligned in the same direction.



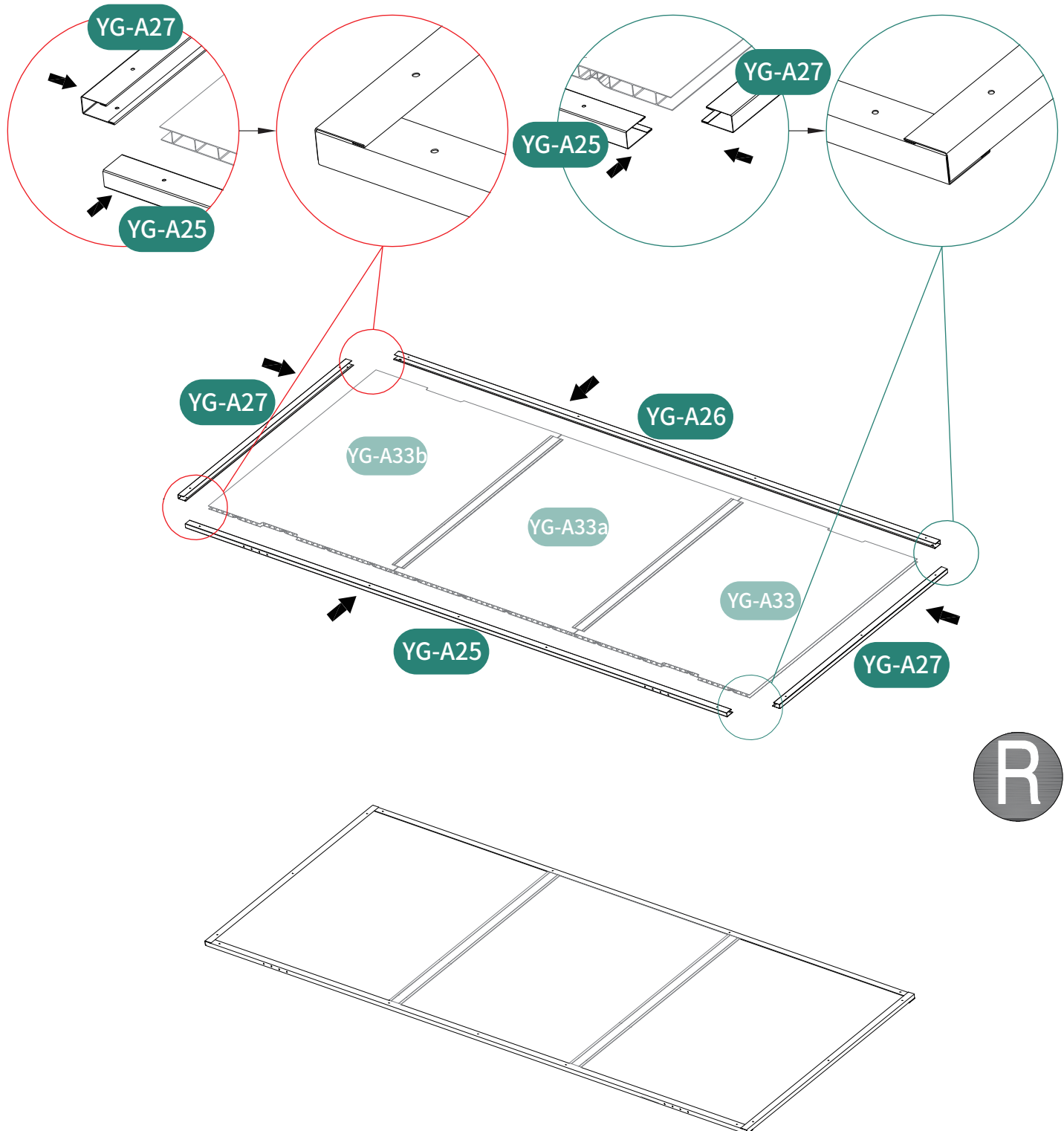
When assembling the door panels, it's important to ensure that the cross-sections of the various components are flush with each other. This is to prevent the door panel from warping after the frame is installed.

54

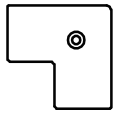


Auxiliary Tools

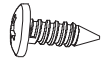
CN-A33



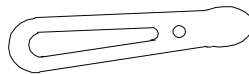
# 55



YG-10 4pcs

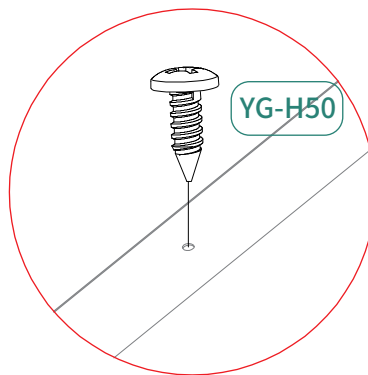
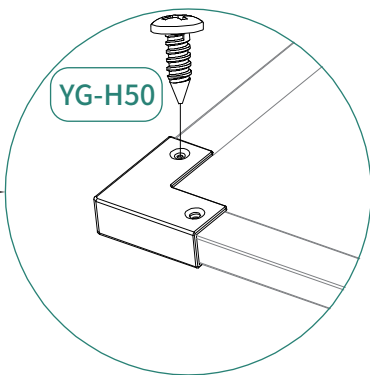
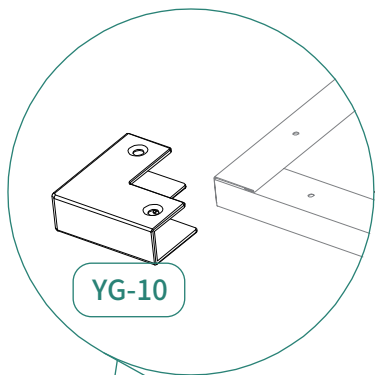


YG-H50 10pcs



Auxiliary Tools

CN-A33



YG-10

When securing the door frame, only tighten one of the screws at the diagonal corners, top and bottom.

YG-A27

YG-A26

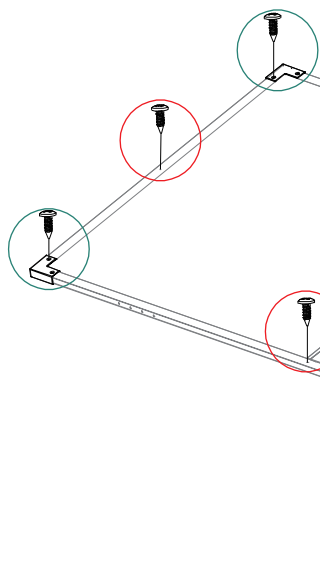
YG-10

YG-10

YG-A25

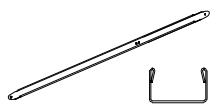
YG-A27

YG-10

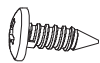


R

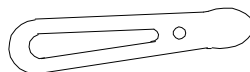
# 56



YG-A48 2pcs

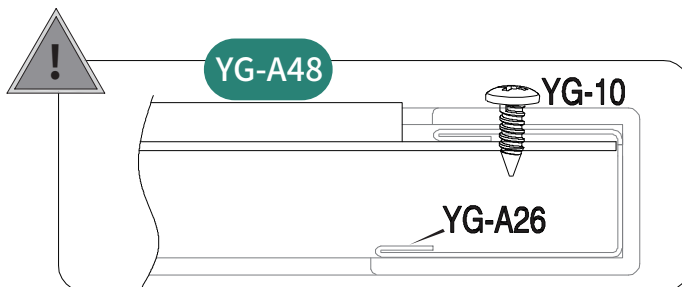
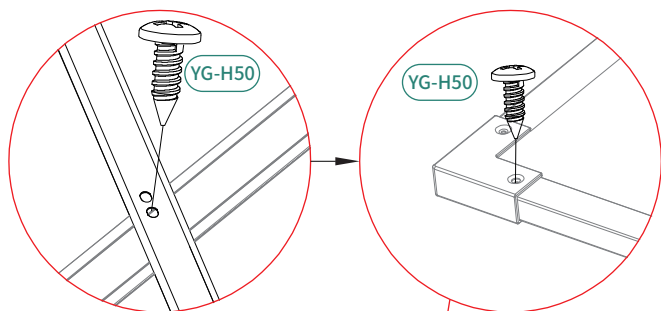
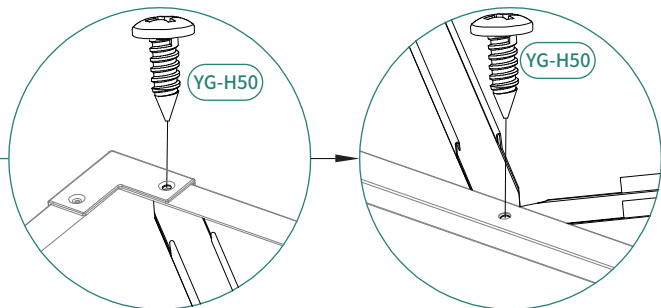


YG-H50 7pcs

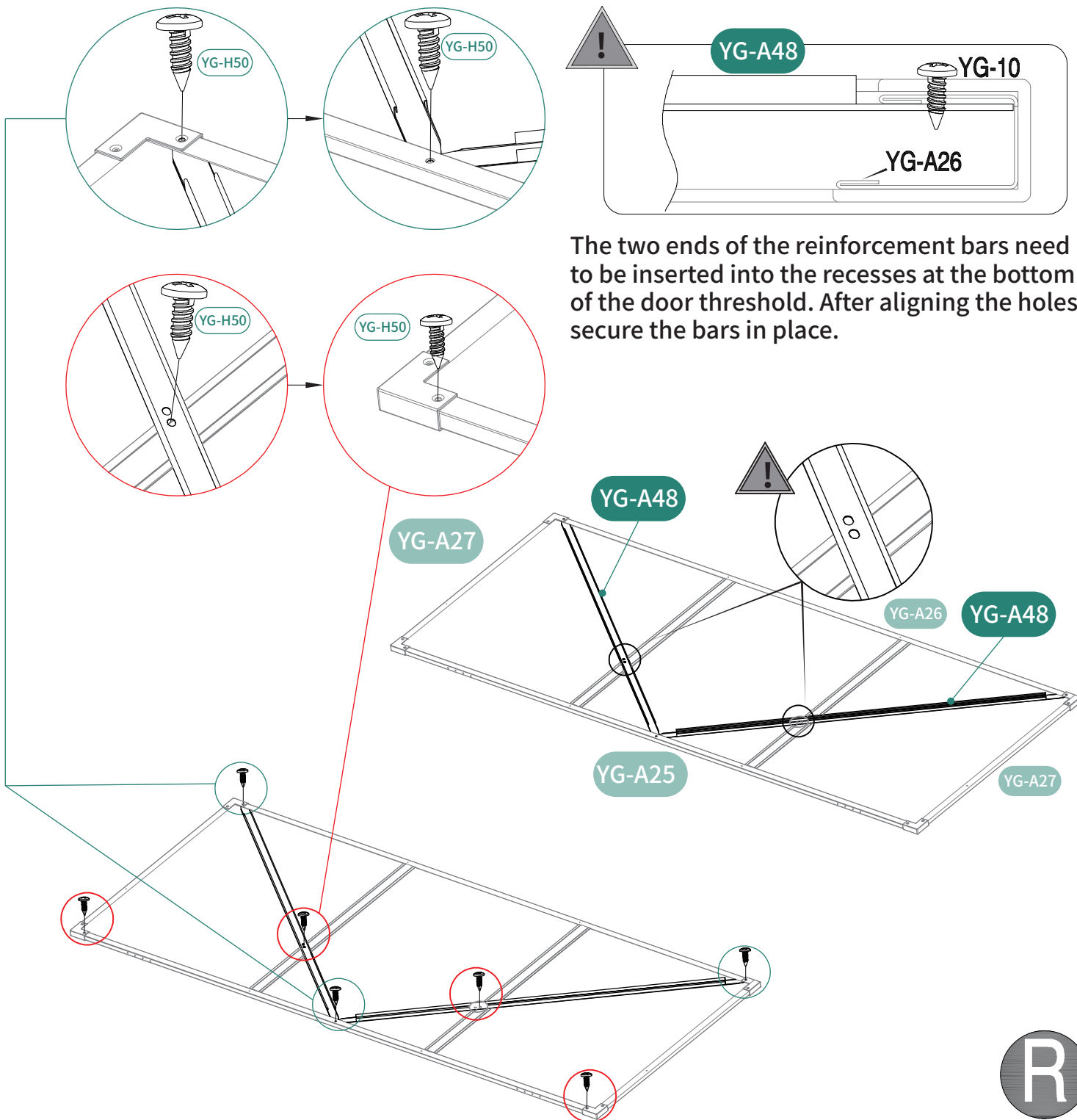


Auxiliary Tools

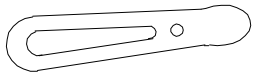
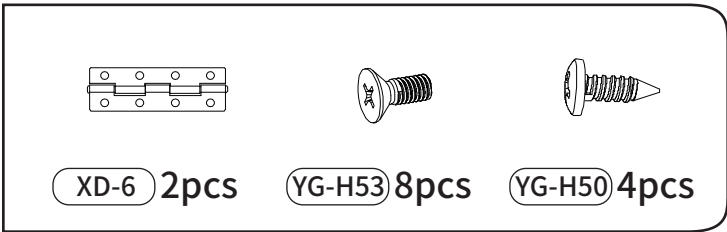
CN-A33



The two ends of the reinforcement bars need to be inserted into the recesses at the bottom of the door threshold. After aligning the holes, secure the bars in place.



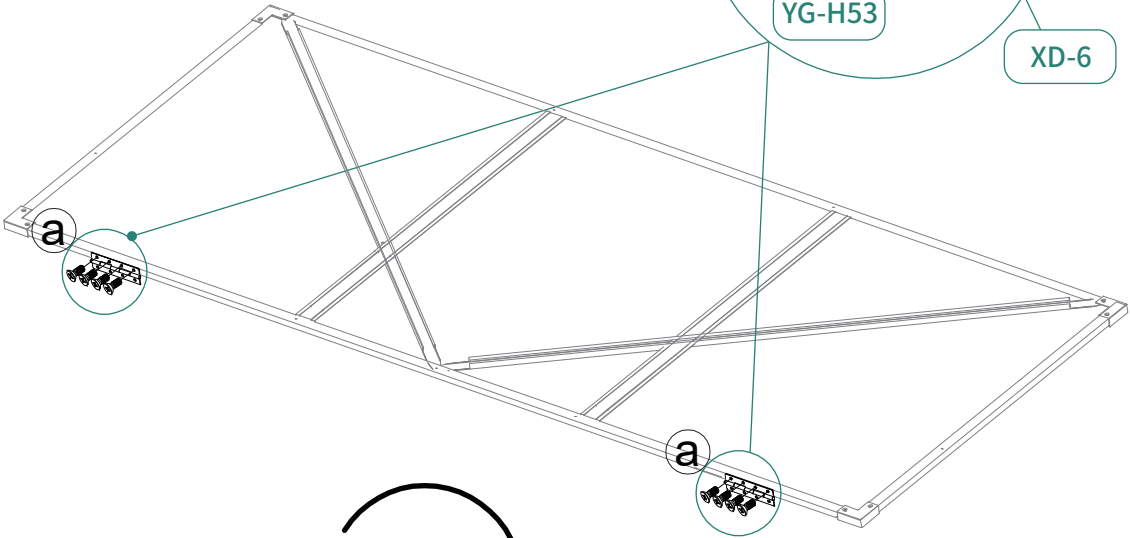
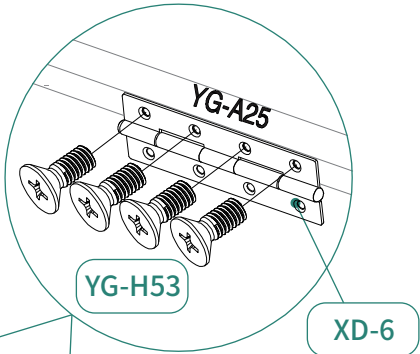
# 57



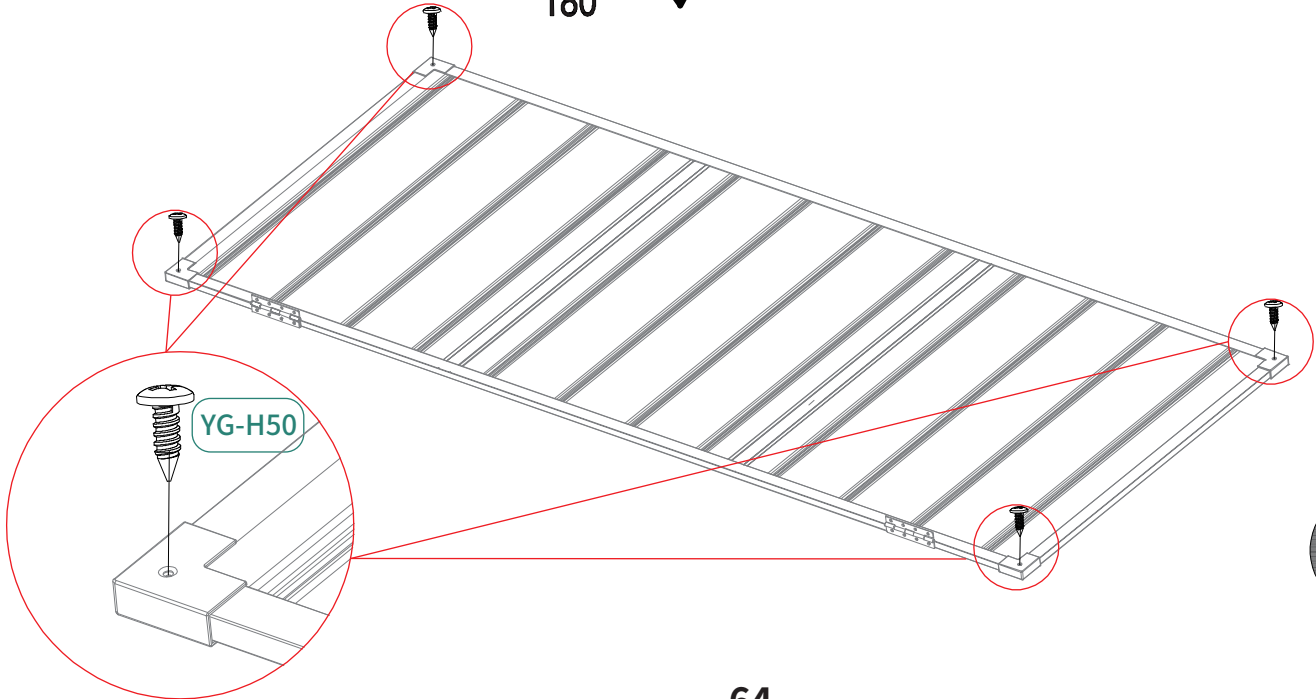
Auxiliary Tools

CN-A33

When installing hinges, pay attention to the direction of swing to prevent installing them incorrectly.

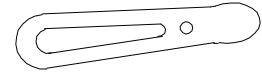
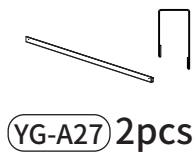
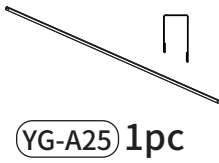
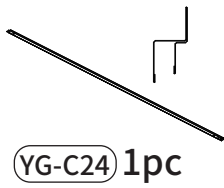


180°



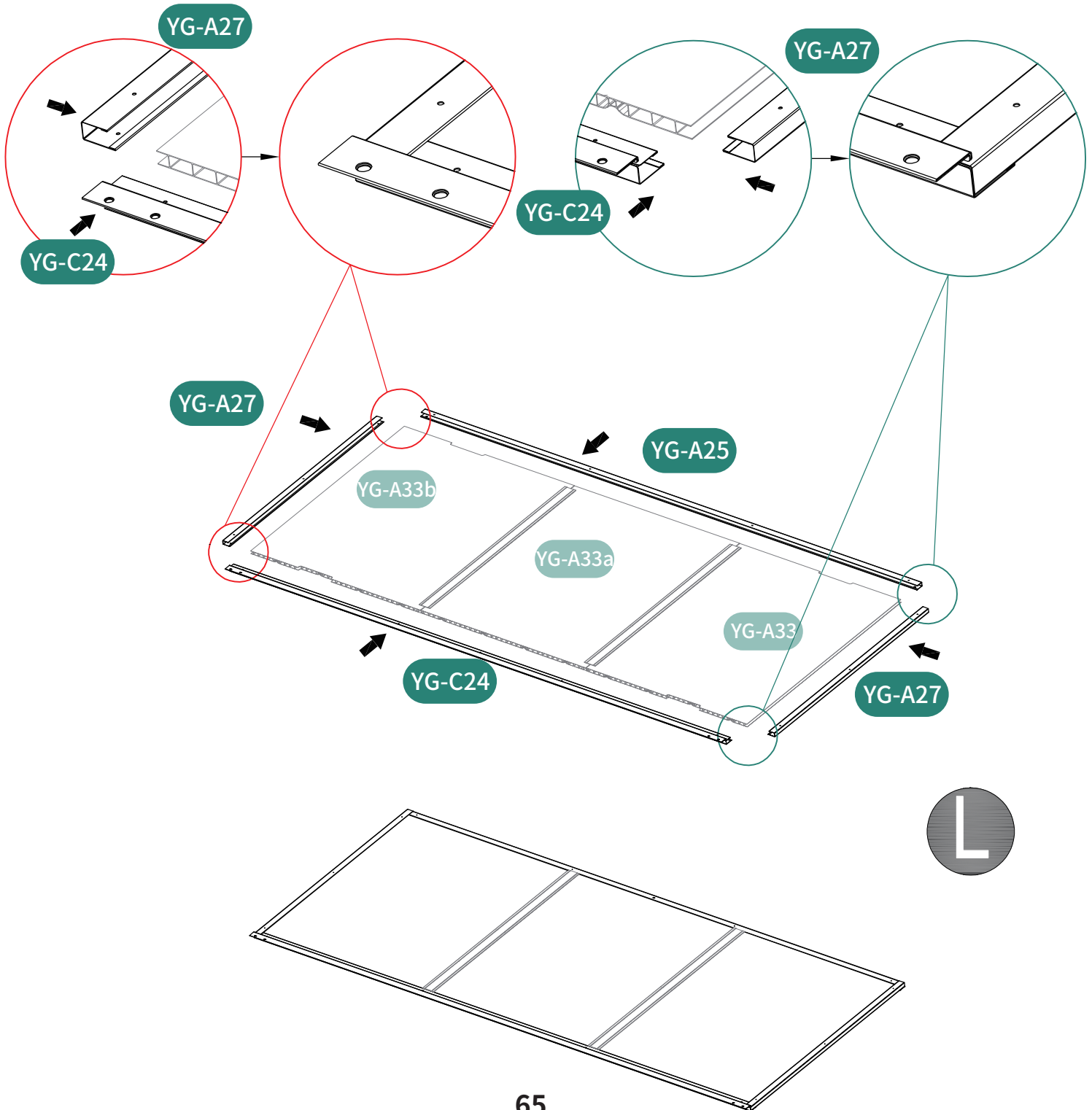


58

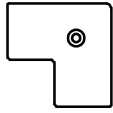


Auxiliary Tools

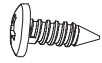
CN-A33



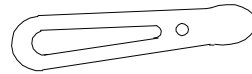
# 59



YG-10 4pcs

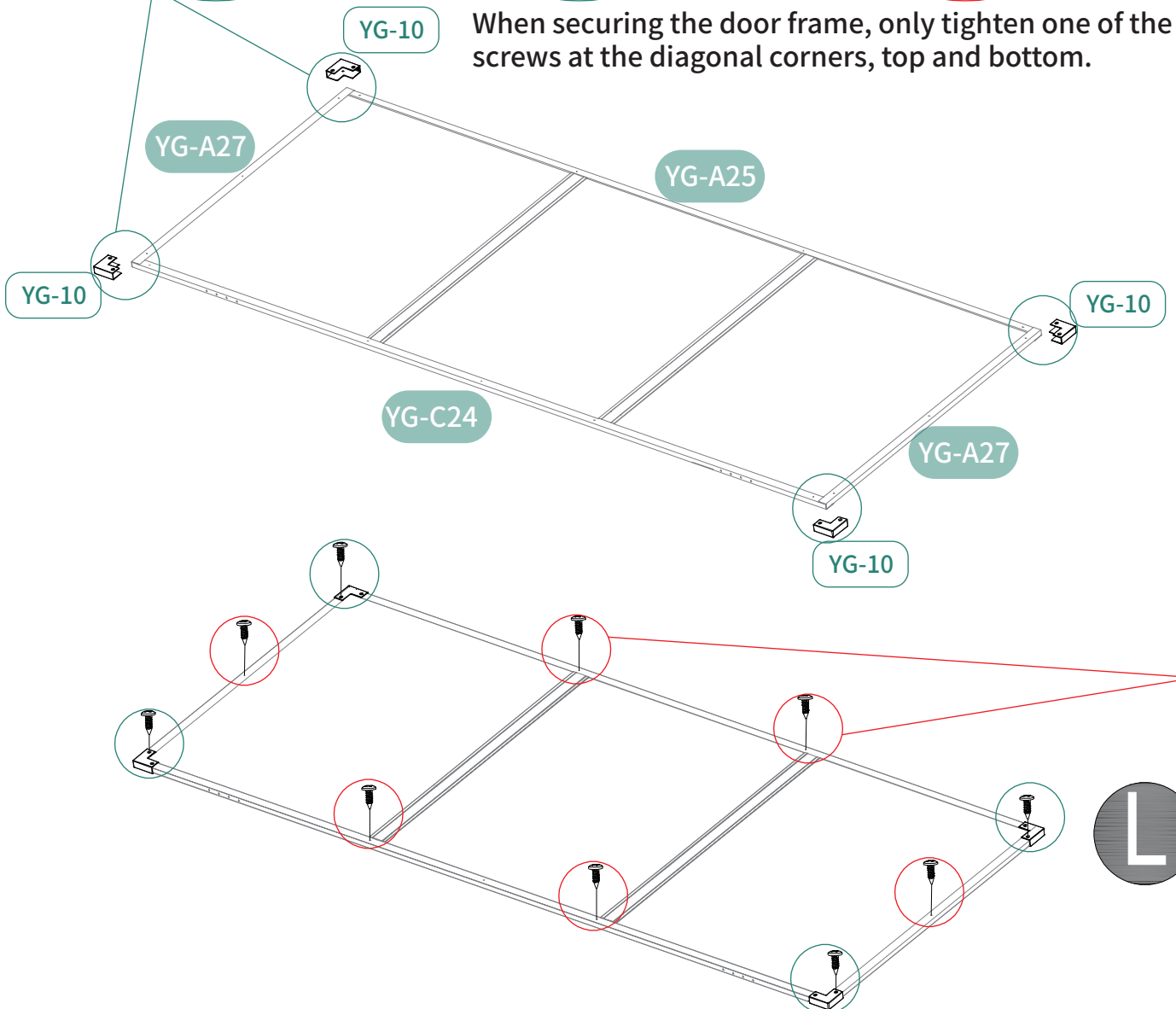
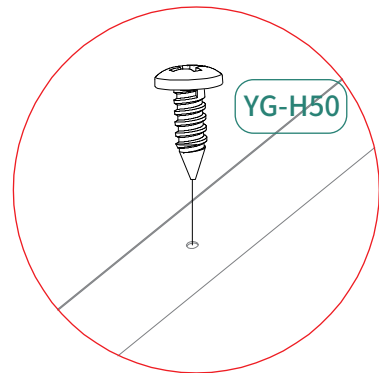
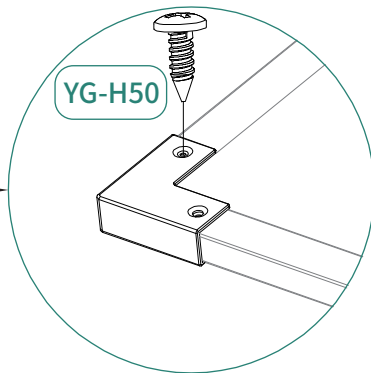
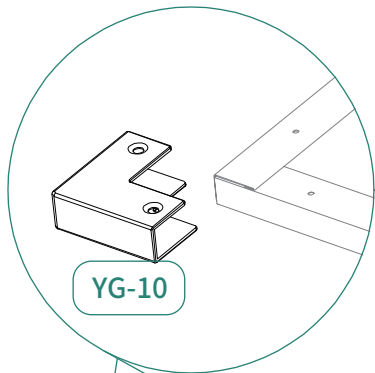


YG-H50 10pcs

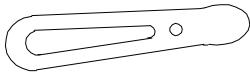
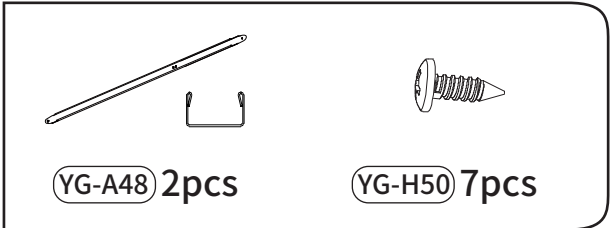


Auxiliary Tools

CN-A33

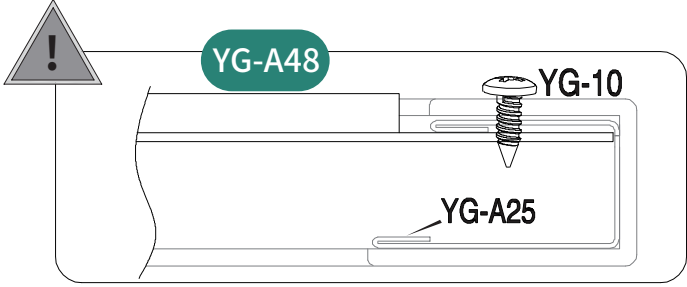
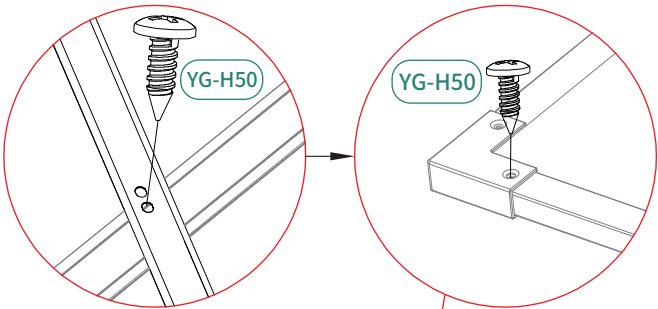
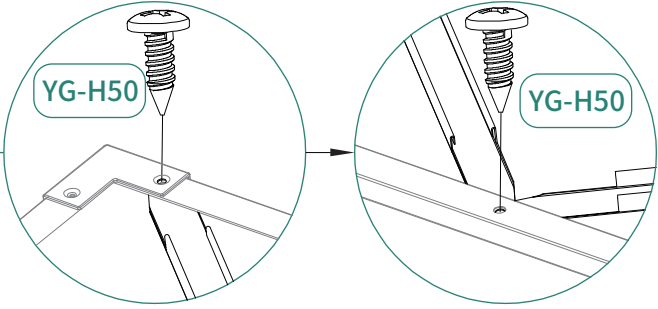


# 60

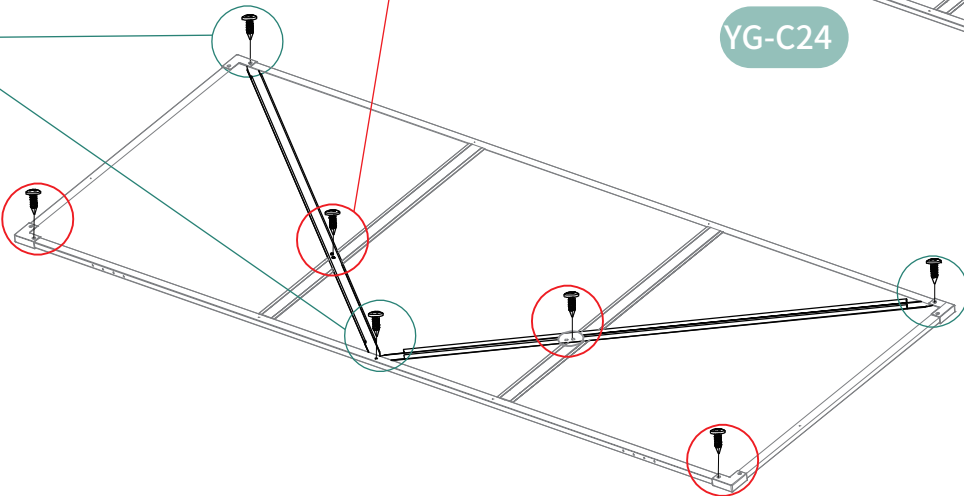
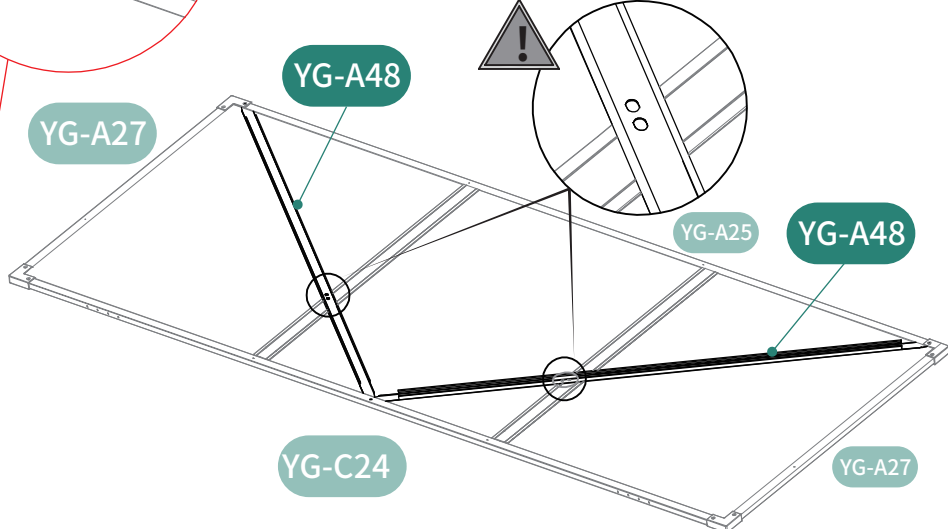


Auxiliary Tools

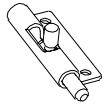
CN-A33

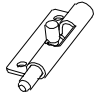


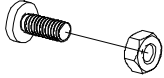
The two ends of the reinforcement bars need to be inserted into the recesses at the bottom of the door threshold. After aligning the holes, secure the bars in place.

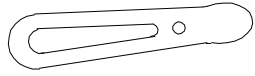


# 61

 **XD-7** 1pc

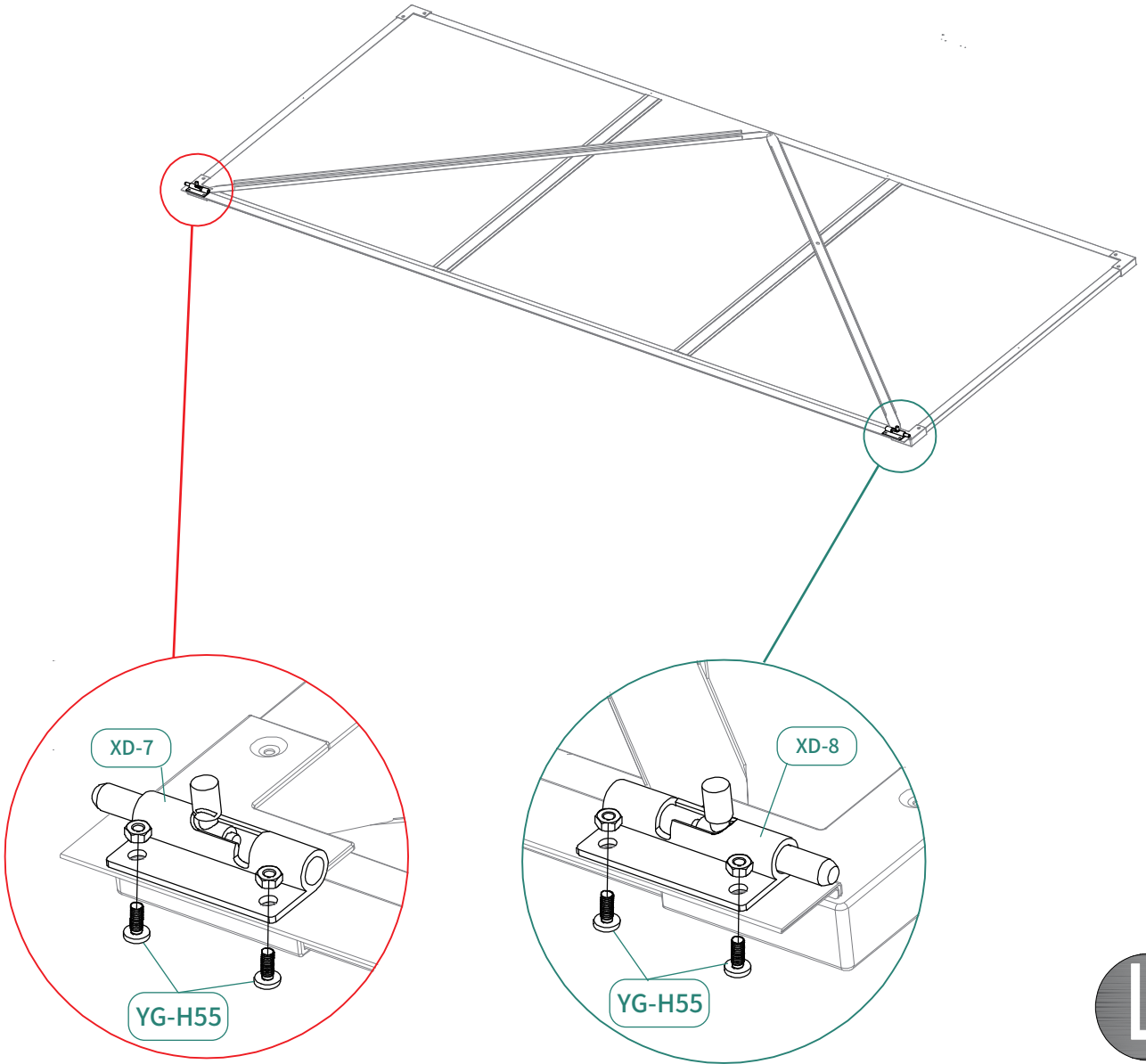
 **XD-8** 1pc

 **YG-H55** 4pcs

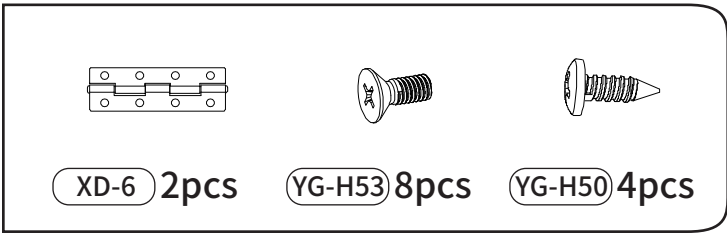


Auxiliary Tools

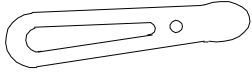
**CN-A33**



# 62



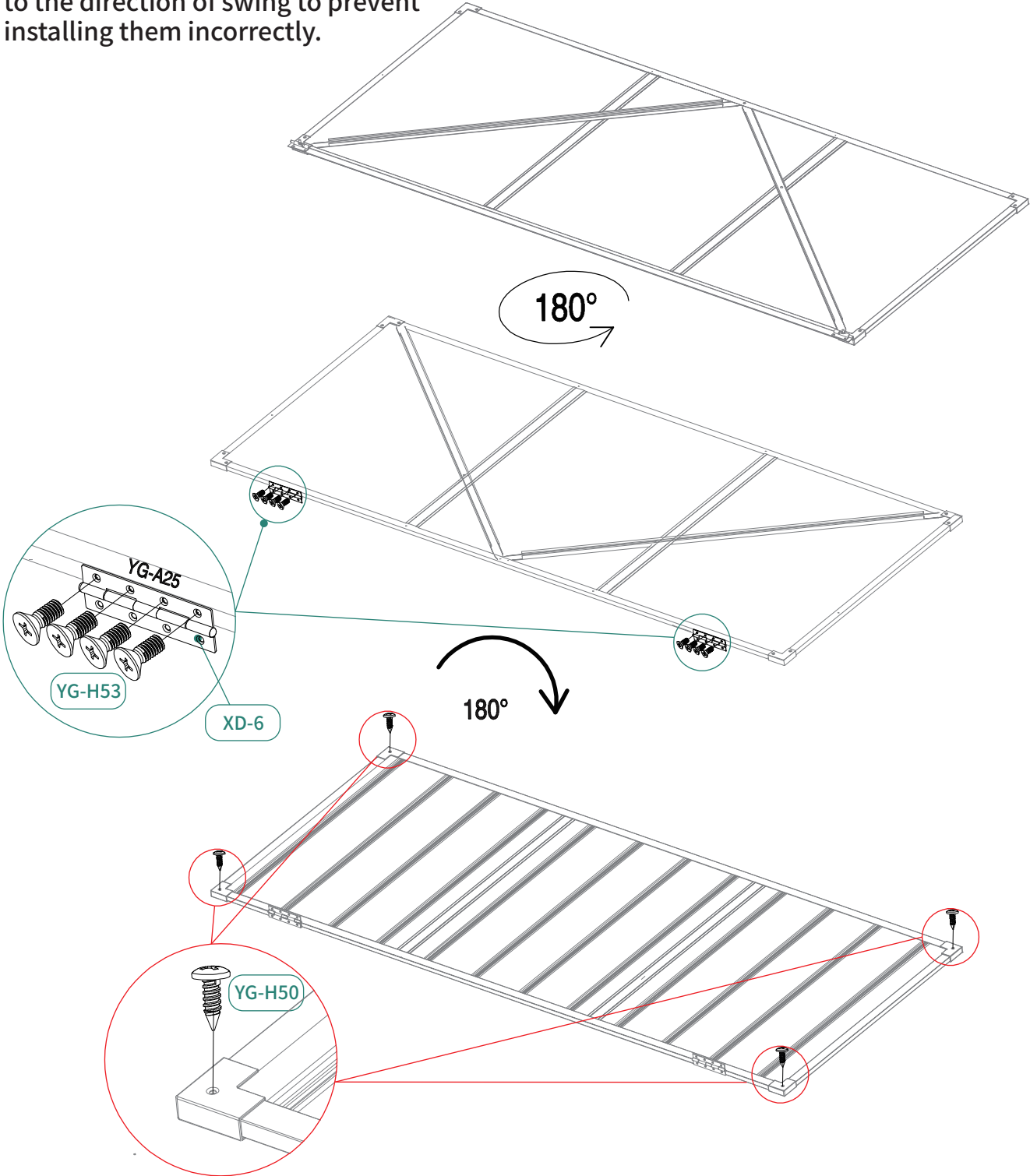
XD-6 2pcs    YG-H53 8pcs    YG-H50 4pcs



Auxiliary Tools

CN-A33

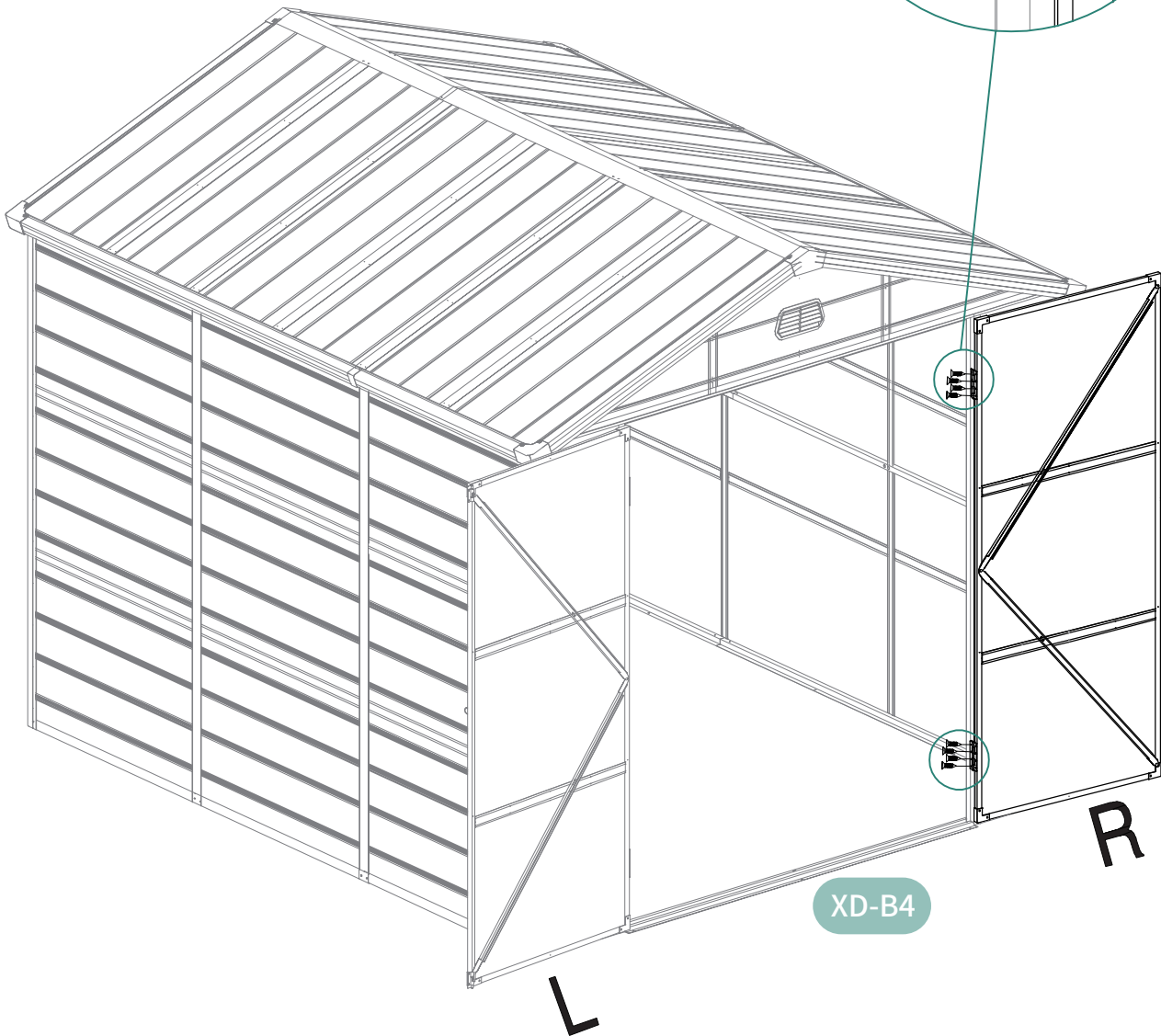
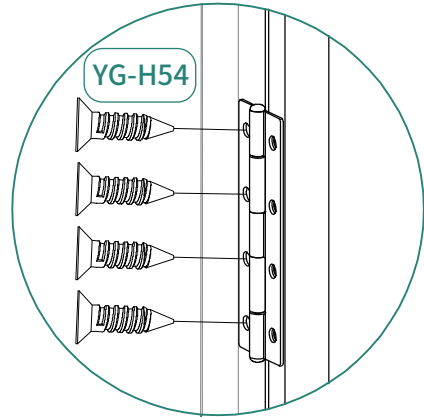
When installing hinges, pay attention to the direction of swing to prevent installing them incorrectly.



63



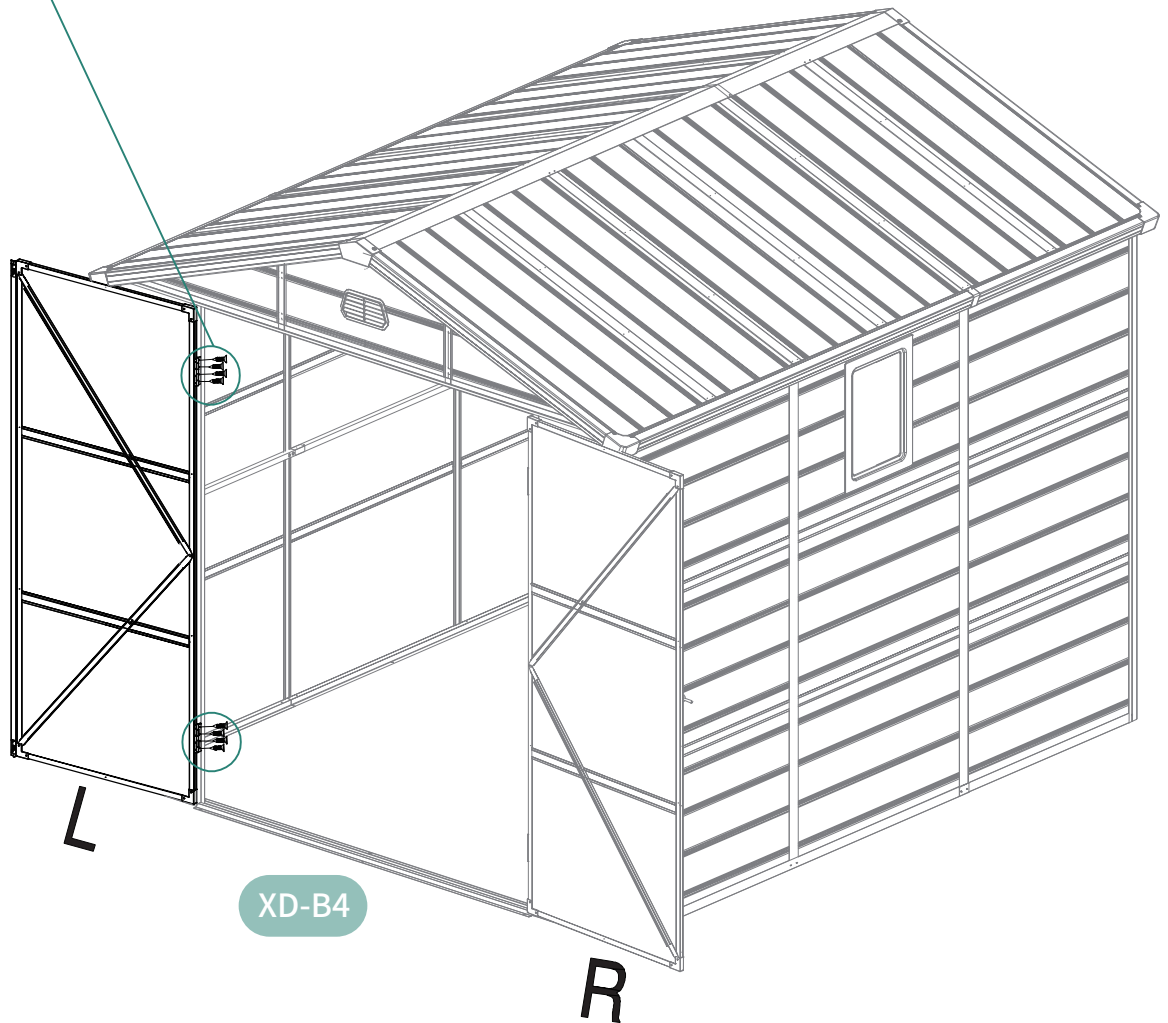
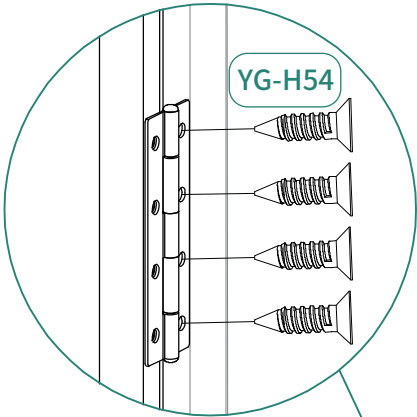
YG-H54 8pcs



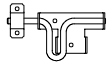
64



YG-H54 8pcs



# 65

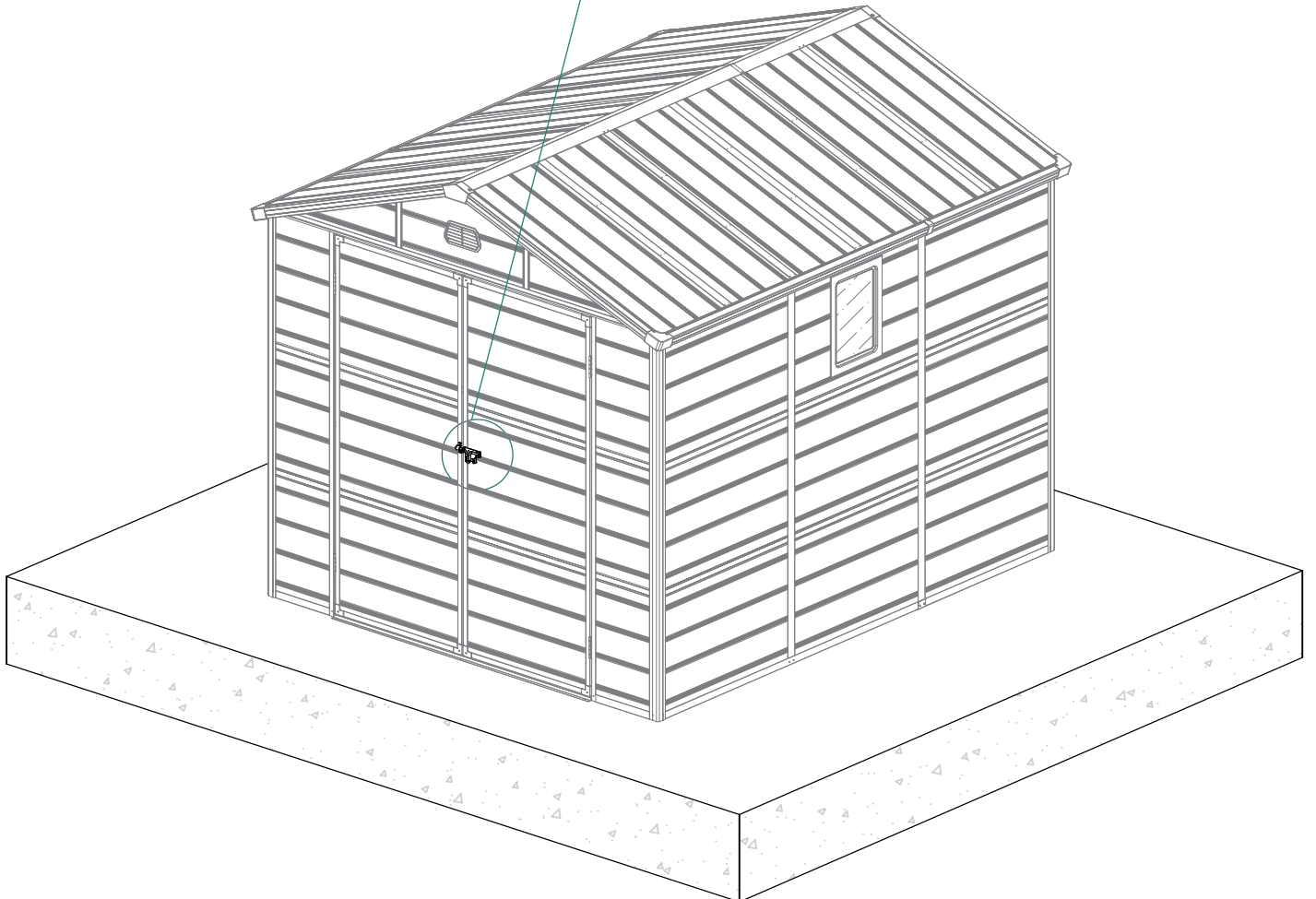
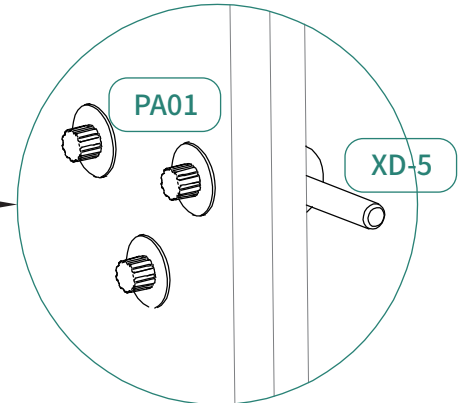
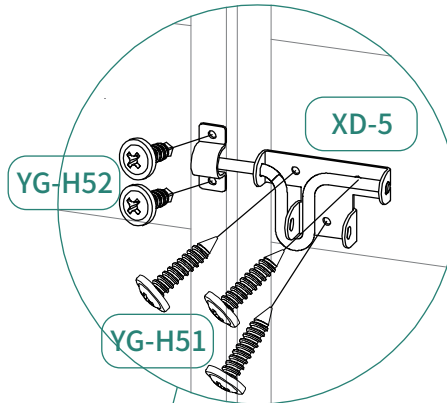
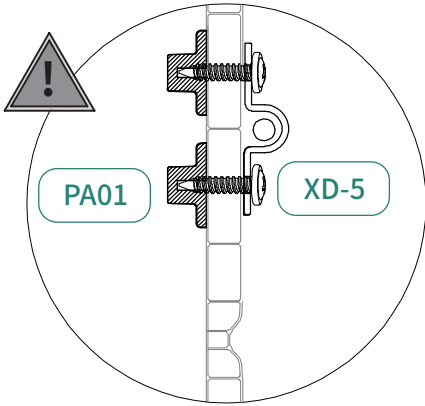


XD-5 1pc

PA01 3pcs

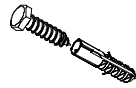
YG-H51 3pcs

YG-H52 2pcs

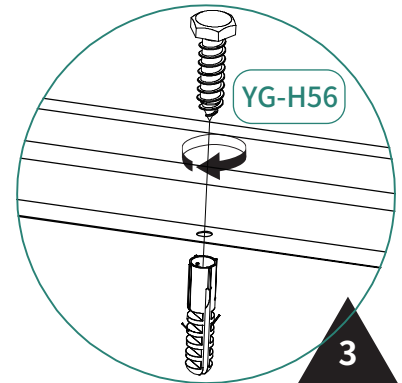
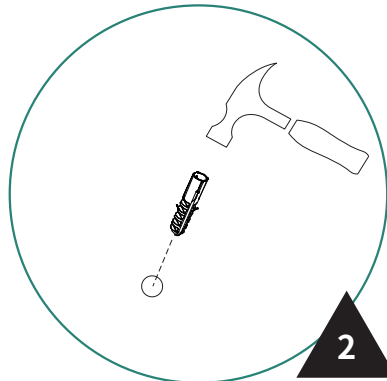
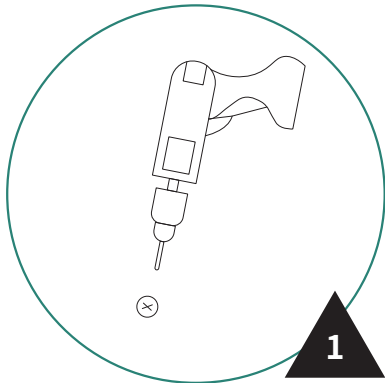




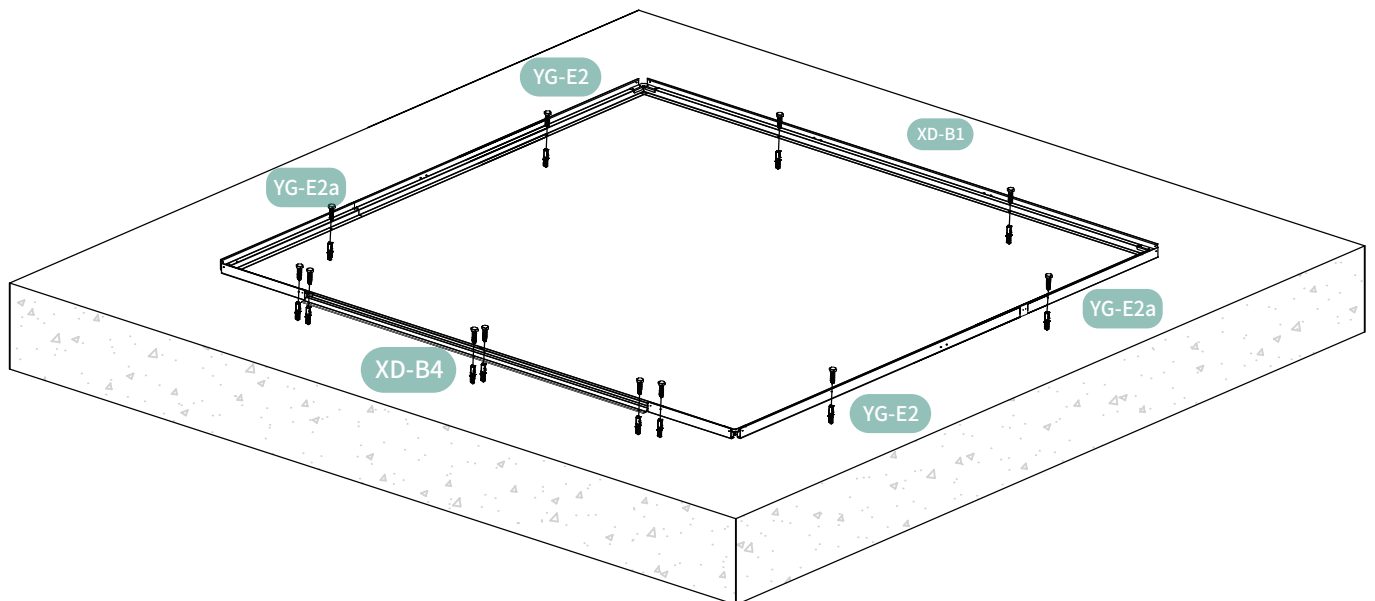
# 66



YG-H56 12pcs

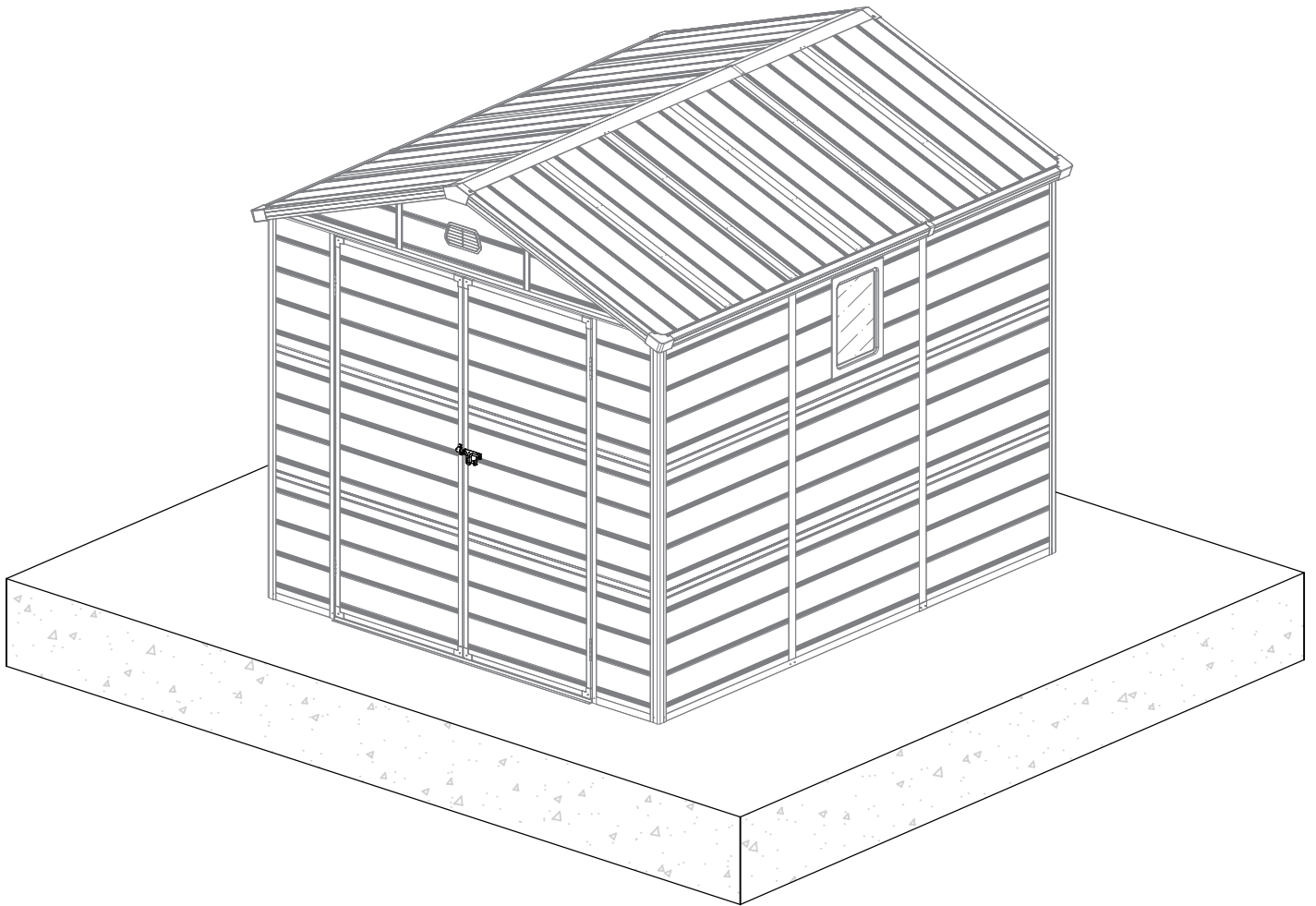


Upon completing the installation, the house can be further reinforced by connecting it to the floor using expansion anchors.



---

67



Installation Completed



Manufacturer and seller expressly disclaim any and all liability for personal injury, property damage or loss, whether direct, indirect, or incidental, resulting from the incorrect attachment, improper use, inadequate maintenance, unapproved modification, or neglect of this product.

Der Hersteller und Verkäufer lehnen ausdrücklich jegliche Haftung für Personenschäden, Sachschäden oder Verluste ab, egal ob direkt, indirekt oder zufällig, die durch falsche Anbringung, unsachgemäßen Gebrauch, unzureichende Wartung, nicht genehmigte Änderungen oder Vernachlässigung dieses Produkts entstehen.

El fabricante y vendedor renuncian expresamente a toda responsabilidad por lesiones personales, daños materiales o pérdidas, ya sean directos, indirectos o incidentales, derivados de la incorrecta colocación, uso inadecuado, mantenimiento insuficiente, modificación no aprobada o negligencia de este producto.

Il produttore e il venditore declinano espressamente ogni responsabilità per lesioni personali, danni materiali o perdite, dirette, indirette o incidentali, derivanti dall'errato fissaggio, uso improprio, manutenzione inadeguata, modifica non autorizzata o negligenza di questo prodotto.

Le fabricant et le vendeur déclinent expressément toute responsabilité en cas de blessures corporelles, de dommages matériels ou de pertes, qu'ils soient directs, indirects ou accessoires, résultant de la fixation incorrecte, de l'utilisation inappropriée, de l'entretien insuffisant, de la modification non approuvée ou de la négligence de ce produit.