

7.3 cu. ft. Rear Control Dryer with AI Sensing and ThinQ® Smart Features

- 7.3 cu. ft. Ultra Large Capacity
- Built-In Intelligence: AI Sensor Dry™ / Smart Pairing™
- Wrinkle Care Option
- LoDecibel® Quiet Operation
- Reversible Door
- FlowSense® Duct Clogging & Lint Filter Indicators

AVAILABLE COLORS

- ALPINE WHITE
- PLATINUM BLACK



LG ThinQ® Enjoy new ways to control your home with LG smart appliances

- Use the ThinQ® app to start the laundry while you're out
- Get alerts when the cycle is finished
- With Smart Pairing™, the washer can tell the dryer to select a compatible drying cycle

works with the Google Assistant | works with alexa

SUMMARY

Type	Rear Control Top Load Dryer
Vent Type	Vented
Dryer Type	Electric / Gas
Capacity	7.3 cu. ft.
Matching Washer	WT8200C_ / WT8205C_
Sensor Dry	Yes
Steam	No
Color	Platinum Black (L) Alpine White (W)

APPEARANCE

EasyLoad® Door	No
Control & Display	Electronic Control Panel with LED Display
Dial-A-Cycle®	Yes

DRYER PROGRAMS

No. of Programs	8
	Normal, AI Dry, Bedding, Delicates, Quick Dry, Timed Dry, Heavy Duty, Downloaded
No. of Options	13
	Temp, Dryness, Time, More Time, Less time, Damp Signal, Air Dry, Wrinkle Care, Energy Saver, Control Lock(3sec), Wi-Fi(3sec), Remote Start(3sec), Signal(3sec)
Temperature Setting	Low / Med. Low / Normal / Med. High / High
Drying Levels	Damp/ Less/ Normal/ More/ Very
Manual Dry Times	20/30/40/50/60min

FABRIC CARE FEATURES

AI Sensor Dry	Yes
Precise Temperature Control with Variable Heater	Yes
Steam	No

CONVENIENCE FEATURES

3 Minute Installation Check	Yes
LoDecibel® Quiet Operation	Yes
End of Cycle Signal	Yes
Drum Light (Door open)	Yes
Reversible Door	Yes
FlowSense® Duct Clogging Indicator	Yes
Wrinkle Care Option	Yes
Control Lock	Yes
Venting Option	Yes
4 Adjustable Legs	Yes
Remaining Time Display/ Status Indicator(s)	Yes

SMART FEATURES (ThinQ® TECHNOLOGY)

Smart Diagnosis (v3.0)	Yes
WiFi	Yes
NFC Tag On Technology	No
ThinQ Care	Yes
ThinQ Up	Yes
Remote Start/Cycle Monitor	Yes
Energy Monitoring	Yes
Smart Pairing	Yes

ENERGY

ENERGY STAR® Certified	Yes
CEF	Elec: 3.94 / Gas:3.49

MATERIALS AND FINISHES

Aluminized Alloy Steel Drum	Yes
NeveRust® Stainless Steel Drum	No
Drum Rear	Painted Steel
Cabinet	Painted Steel
Door / Trim	Glass / Black
Top Cover Material	Plastic
All Available Colors	Platinum Black (L) Alpine White (W)

POWER SOURCE

Ratings	CSA Listed
Electrical Requirements	120V, 15 Amps (Gas) / 240V 30 Amps (Electric)
Plug	Elec: Not Included Gas: Included
Plug Type	Elec: 4-Wire or 3-Wire (Homes built after 1996 require 4-Wire) Gas: 3 Prong
Type	Electric / Gas
BTU	Elec : N/A / Gas : 20,000

OPTIONS

LP Conversion Kit	383EEL3002R
Side Venting Kit	383EEL9001B

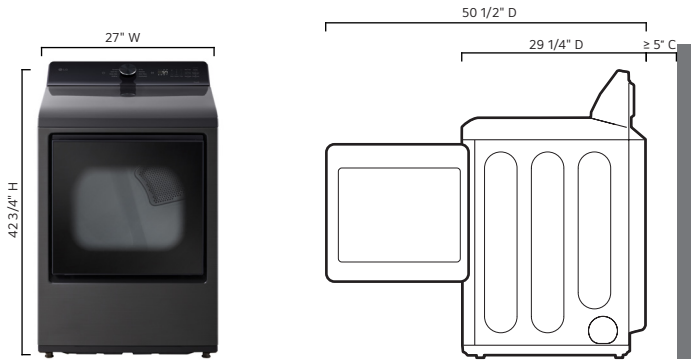
LIMITED WARRANTY

Parts & Labor	1 Year
Drum	3 Years

UPC CODES

DLE8200L (Platinum Black)	195174089064
DLG8201L (Platinum Black)	195174089071
DLE8200W (Alpine White)	195174089088
DLG8201W (Alpine White)	195174089095

DIMENSION / CLEARANCES



DIMENSIONS

Product (WxHxD)	27" x 42 3/4" x 29 1/4"
Depth with Door Open	50 1/2" D
Carton Dimensions (WxHxD)	29 1/8" x 45 1/2" x 31 1/2"
Product Weight (lbs.)	Electric: 116.8 / Gas: 117.4
Carton Weight (lbs.)	Electric: 123.5 / Gas: 123.8

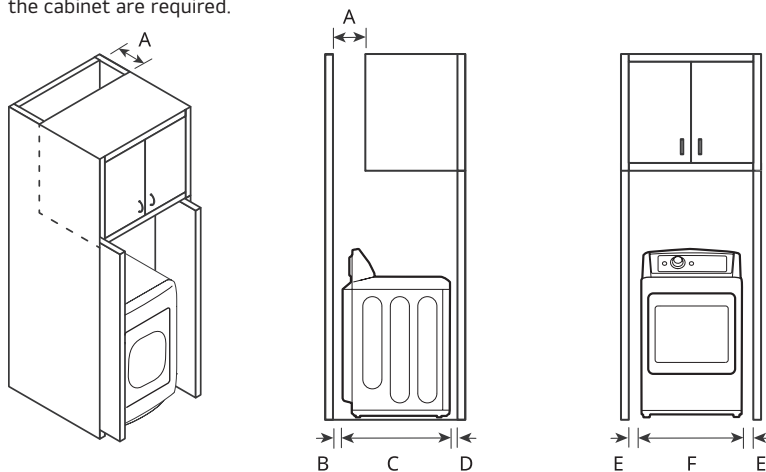
DIMENSION / CLEARANCES

CLOSET VENTILATION REQUIREMENTS

Closets with doors must have both an upper and lower vent to prevent heat and moisture buildup in the closet. One upper vent opening with a minimum opening of 48 sq. in. (310 cm²) must be installed no lower than 6 feet above the floor. One lower vent opening with a minimum opening of 24 sq. in. (155 cm²) must be installed no more than one foot above the floor. Install vent grilles in the door or cut down the door at the top and bottom to form openings. Louvered doors with equivalent ventilation openings are also acceptable.

DIMENSION / CLEARANCES
INSTALLATION SPACING FOR CABINET AND CLEARANCES WITH OPTIONAL PEDESTAL BASE

For cabinet installation with a door, minimum ventilation openings in the top of the cabinet are required.



DIMENSIONS

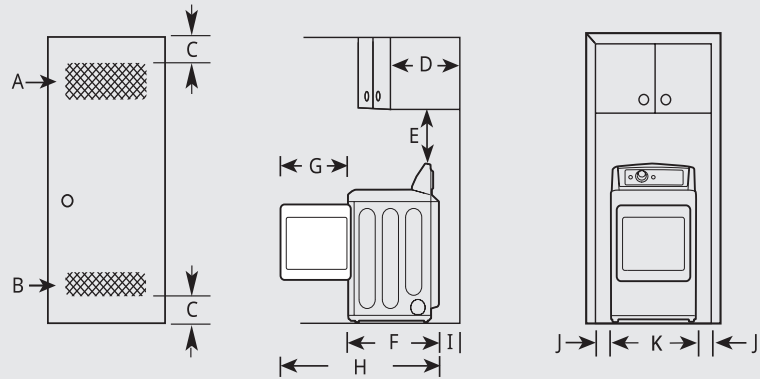
A Depth of Ventilation Opening	≥ 7" (178mm)
B Back Clearance	≥ 5" (127mm)
C Depth	29 1/4" (743mm)
D Front Clearance	≥ 1" (25 mm)
E Side Clearance	≥ 1" (25 mm)
F Width	27" (686 mm)

DIMENSION / CLEARANCES

SPACING FOR RECESSED AREA OR CLOSET INSTALLATION

These clearance are recommended for this dryer.

- Additional clearance should be considered for ease of installation and servicing.
- Additional clearance should be considered on all sides of the dryer to reduce noise transfer.



DIMENSIONS

A Upper Ventilation Opening	≥ 48 sq. in. (310 cm ²)
B Lower Ventilation Opening	≥ 24 sq. in. (155 cm ²)
C Distance to Ventilation Opening	≥ 3" (76 mm)
D Overhead Cabinet Depth	≤ 14" (356 mm)
E Distance to the Overhead Cabinet / Shelf	≥ 18" (457 mm)
F Depth	29 1/4" (743 mm)
G Length of Door Swing	22" (558 mm)
H Maximum Depth with Door Open	50 1/2" (1284 mm)
I Back Clearance	≥ 5" (127 mm)
J Side Clearance	≥ 1" (25 mm)
K Width	27" (686 mm)

LEVELING THE APPLIANCE

CHECKING THE LEVEL

Position the appliance in the final location and place a level across the top of the appliance.

- 1 Level
- 2 Level Feet

