



Care about
money



speed



quality



operation
ease



design

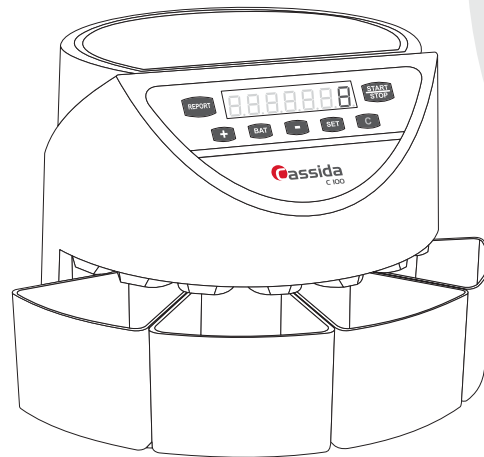


support

Designed by Cassida Corporation, USA
cassidausa.com
Made in China

Cassida
C100

Caring about your money



USER MANUAL
CASSIDA C100 COIN COUNTER/SORTER

This manual contains important information on safety measures and operational features, please read it carefully before operating your coin counter and keep it for future reference.

Table of contents:

1 Introduction

1.1 About Cassida C100	5
1.2 Box contents	5
1.3 Front and rear view	5
1.4 Control panel	7
1.5 Specifications	7
1.6 Important safety notes	8

2 Operating the C100

2.1 Powering up	9
2.2 Counting	9
2.3 Adding	10
2.4 Batching	10
2.5 Clearing batch quantities	11

3 Maintenance and troubleshooting

3.1 Maintenance	11
3.2 Troubleshooting	12
3.3 Warranty	13
3.4 Contact information	14

1. INTRODUCTION

1.1 About Cassida C100

Thank you for choosing the Cassida C100 coin sorter. We hope you enjoy using it.

The Cassida C100 coin counter/sorter is a multifunctional coin processing machine which incorporates all of the features of a professional coin counter/sorter at a very affordable price. Its large hopper is capable of holding 1600 coins (dimes) and the coin trays can each accumulate up to 900 coins (dimes) at a time. Displaying the subtotal for each denomination and the total value make the Cassida C100 an easy all-in-one tool for any coin handling needs.

The Cassida C100's lightweight, compact and stylish design will easily fit into your business environment.

1.2 Box contents

- Cassida C100 coin counter
- User manual
- Cleaning cloth

1.3 Front and rear view

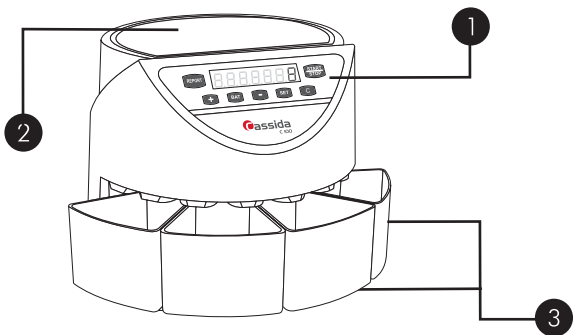
Front view:

1. Control panel
2. Coin hopper -holds coins that need to be counted.
3. Coin trays -each tray holds specific denomination of counted and sorted coin.

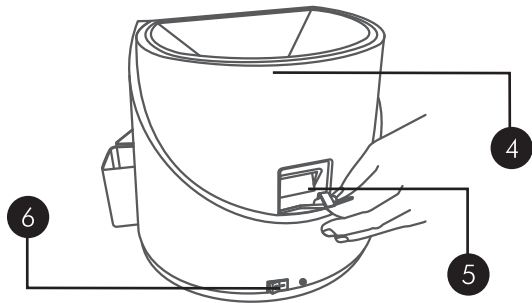
Rear view:

4. Plastic housing -when removed provides access to the counting mechanism for cleaning and repairing purposes.
5. Rear access panel -provides easy access to the inside mechanism to remove foreign objects and jammed coins.
6. Power switch -turns the power on or off.

Front View



Rear View



1.4 Control panel



"START/STOP"	Starts or stops the operation of the machine.
"C"	Clears the display and resets the count
"SET"	Shows batch quantities set for each denomination.
"BATCH"	Selects preset batch quantities (0, 10, 20, 25, 50, 80, 100, 120, 150, 200, 300, 400, 500).
"-"	Decreases batch quantity by a value of 1.
"+"	Increases batch quantity by a value of 1.
"REPORT"	Shows number of coins counted for each denomination.

1.5 Specifications

Hopper capacity	up to 1600 coins (dimes)
Coin trays capacity	
Denomination	
\$0.25	350
\$0.10	900
\$0.05	450
\$0.01	300
Batch range	0-500 coins
Control panel display	7 digit LED
Dimensions	345*306*260mm 13.6" X 12.1" X 10.2"
Net weight	3.9 kg (8.6 lbs)
Counting speed	up to 250 coins/min

Power supply	110 VAC 60Hz or 220 VAC 50Hz
Power consumption	max 45W
Ambient temperature	0°C ~ 40°C (32°F-104°F)
Ambient humidity	30 ~ 80%

1.6 Important safety notes

When using this unit, basic safety precautions should always be taken, including the following:

- Do not use this unit in areas where it may be exposed to water or any other liquids.
- Only use the power cord supplied with the unit. Plug the power cord into a properly grounded wall outlet. Do not remove the ground pin from the power cord. Failure to properly ground the unit can result in severe injury or fire.
- Make sure the unit is installed on a flat surface. Do not operate the machine in areas with high temperature, humidity or smoke: it may prevent it from working correctly.
- Do not start the unit when the rear access panel is open.
- When not using this unit for an extended period of time, remove the power plug from the wall outlet.
- Unplug this unit from the wall outlet before cleaning. Use specified cleaning products such as a Cassida air duster, a CleanPro cleaning swab or a soft cloth.
- To avoid the risk of electrical shock, do not disassemble this machine. Disassembling it will expose you to dangerous voltages and other risks. Incorrect re-assembly can cause electrical shock when the appliance is subsequently used. Take it to a qualified technician when service or repair is required.

2. OPERATING THE MACHINE

2.1 Powering up

Important: Before turning on the Cassida C-100, make certain no coins are present in the coin hopper. This will cause an "EA" error when the C-100 self-test is performed. To clear the "EA" error, press the START/STOP button, then empty any coins present in the coin trays.

Turn the power switch on. The machine will then conduct a self-check. The main display will show "0" when the machine is ready.

2.2 Counting

The C100 always operates in a batching mode. To enable simple counting, all batch quantities need to be set to zero. To set batch quantities to zero press button "-" for approximately seven seconds until the letter "C" is displayed on the left side of the LED display.

- Before loading the hopper, make sure there are no uncounted coins remaining in it from the previous count.
- To count the coins place them into the hopper and press the "START/STOP" button.
- The C100 will start counting and will automatically sort all the coins by placing them into the coin trays.
- The machine will automatically stop when all coins in the hopper are counted or if the batch quantity for any coin denomination is reached.
- To stop the machine manually press the "START/STOP" button.
- To resume counting press the "START/STOP" button.
- When a coin tray becomes full, please stop the machine and empty the tray to ensure correct machine operation. Stopping the machine will not alter or reset the count. You can continue counting by pressing the "START/STOP" button.
- As it counts, the Cassida C100 will automatically display the total value of counted coins on the screen.
- To view the number of coins counted for each denomination press the "REPORT" button.

The denomination will appear on the left and the value of counted coins on the right part of the screen.

- To reset the coin count before starting a new batch, press the “C” button.

NOTE: The US model C100 has two dispense openings above some coin trays. Coins are only dispensed through one opening for each coin denomination.

2.3 Adding

The C100 operates in ADD mode by default. In ADD mode, the coin count is added to the count from previous batches. To start a new count, press the “C” button. This will reset the coin count to zero.

2.4 Batching

Setting batch quantity

You may batch the desired quantity of each coin denomination. Each denomination can be assigned a batch quantity.

1. Press “SET” until the desired denomination appears on the left part of the screen.
2. To assign a batch quantity for this denomination press the “BAT” button until a desired batch appears on the display (0, 10, 20, 25, 50, 80, 100, 120, 150, 200, 300, 400, 500). Fine adjustments to batch quantity can be made by pressing “-” or “+” button.
3. To set batch quantities for other denominations repeat steps 1 and 2.

The C100 will stop when a desired batch quantity is completed for any of the denominations. The denomination will be displayed on the left and the total count for that denomination will be displayed on the right side of the screen.

NOTE: When operating in batch mode, the C100 will keep a running total counted value for each denomination coin. For example, after four batches of 50 pennies have been dispensed, the C100 will stop and display.

1c

2.00

To resume counting, press “Start/Stop” button.

Pressing the “C” button will reset the count and the machine will start batching from zero. The set batch quantities are stored in the C100's internal memory, and will not be reset when the machine is turned off.

2.5 Clearing batch quantities

You may clear all batch quantities by pressing and holding the “-” button for approximately seven seconds. The C100 will then beep and display a “C” message on the control panel, indicating all batch quantities have been reset to zero.

3. MAINTENANCE AND TROUBLESHOOTING

3.1 Maintenance

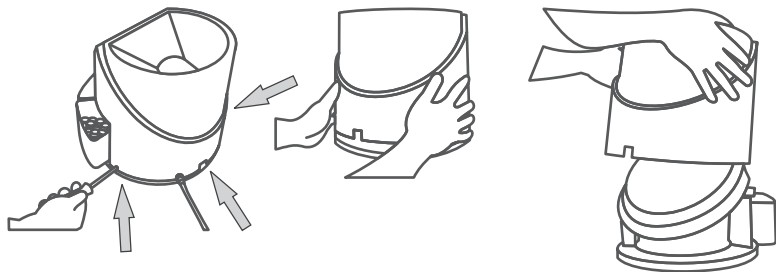
Most operational problems can be avoided by regular care and preventative maintenance. Taking regular care of your coin sorter will significantly increase its lifetime and help you avoid costly repairs.

Attention: You should always turn the unit off and disconnect the power cord before cleaning the machine

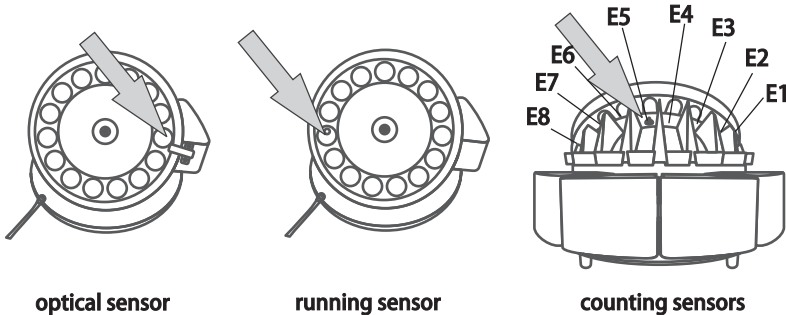
To get the best results out of your machine the following maintenance is recommended on a regular basis:

- Clean all external parts of the machine with a can of compressed air or a soft cloth. Do not use solvents, as they may damage the C100.
- Clean all the sensors using the procedure described below.

1. Remove the three housing screws and carefully lift up the housing
2. Clean all sensors and other dusty parts using a Cassida CleanPro air duster followed by a Cassida CleanPro swab.



B. Clean all sensors and other dusty parts using compressed air or a soft bristle brush



optical sensor

running sensor

counting sensors

Additional maintenance tips:

Make sure there are no foreign objects in the coins you are going to count.
When not using your machine for an extended period of time, cover it with a cloth or plastic sheeting to prevent dust from settling inside

3.2 Troubleshooting

Error message display

Error Code	Problem description / Solution
E1 - E8	A counting sensor may have collected dust, or is damaged. Clean the sensor using a Cassida CleanPro air duster or CleanPro swab. Refer to section 3.1 for detailed instructions.
E9	Running sensor does not detect rotation of the coin platter. Clean the running sensor. If the problem persists, contact Cassida Technical Support (see Section 4.0).
EA	Cause #1: Coins present in the hopper when the C100 is turned on. Press the "START/STOP" button to clear the error. Empty any coins present in coin trays back into the coin hopper, then press "START/STOP". Cause #2: Dirty optical sensor – clean the optical sensor. Refer to Section 3.1 for detailed instructions.

NOTE: The US model C100 has two dispense openings above some coin trays. Coins are only dispensed through one opening for each coin denomination.

3.3 Warranty

Cassida C100 coin counter/sorter is warranted for a period of one year from the date of purchase. In most cases, the malfunction of the machine can be resolved by cleaning the unit. Please refer to section 3.1 "Maintenance" for guidelines.

Shipping:

The warranty does not cover shipping cost to or from Cassida Technical Service Center

Warranty registration:

You may register your product online by visiting

<http://cassidausa.com/register.html>

Registering your product will allow you to receive future product update information.

Non-warranty service

Cassida can perform maintenance and cleaning for an extra fee. For a non-warranty repair/maintenance quotation, contact Cassida Technical Support.

- Product model: Located on the bottom of your coin sorter
- Serial number: Located on the bottom of your coin sorter
- Nature of problem: What happens and when does it happen? Did machine display an error message?
- Steps already taken to resolve the problem and the results

3.4 Contact information

Technical support

email: technicalsupport@cassidausa.com

phone: 1-888-800-0303

<http://cassidausa.com>

When contacting Cassida Technical Support, please have the following information available.

- Serial number – Located on the bottom of your Cassida C100 unit.
- Nature of the problem – What happens, and when did it happen? Did the machine display an error message?
- Steps already taken to resolve the problem, and the results.

Rev 5.0

