



BABY MONITOR ROYALE

XL TOUCH SCREEN

BC3000

Home is not a place, it's a feeling

Table of contents

English.....	- 3 -
Deutsch	- 19 -
Nederlands.....	- 36 -
Français.....	- 53 -

English - Instruction manual

Properties	- 4 -
Box content	- 4 -
Camera overview	- 5 -
Monitor overview	- 5 -
Monitor symbols	- 5 -
Getting started	- 6 -
Pairing the camera to the monitor	- 6 -
Control buttons	- 7 -
Menu page	- 7 -
Split screen and switching live views automatically	- 8 -
Split and quad screen	- 8 -
Switching live views automatically	- 8 -
ELRO Babycam app	- 8 -
Android smartphone	- 8 -
Alternative method Android	- 11 -
iOS smartphone	- 11 -
Connecting with second smartphone	- 14 -
Receiving notifications	- 14 -
Reset password	- 14 -
Frequently asked questions (FAQ) and troubleshooting	- 15 -
Technical specifications	- 15 -
Safety and conformity	- 16 -
Service and contact	- 18 -

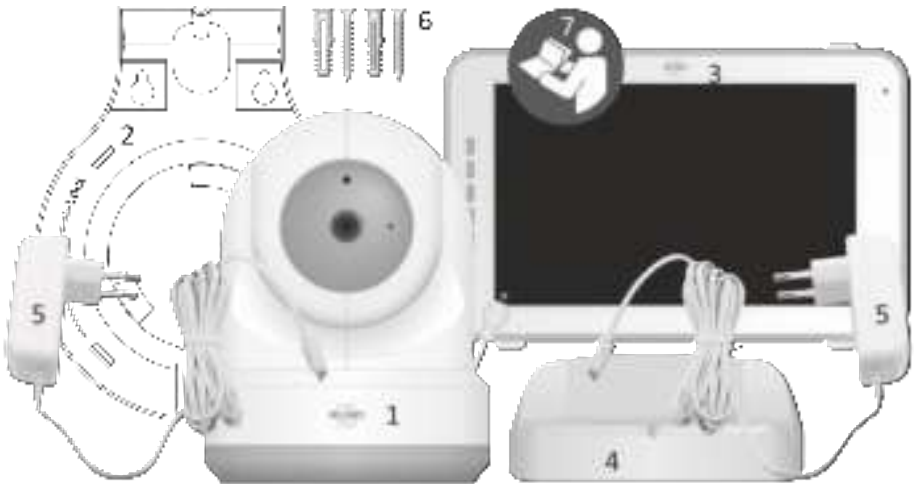
Go to www.elro.eu to download the latest version of this instruction manual!

Properties

- 2,4 GHz FHSS + Wi-Fi dual mode technology.
- Expandable up to 4 cameras, single (1), split (2) or quad (4) monitor screen.
- Language selection: English, German, French, Spanish, Italian, Dutch.
- Camera with night vision.
- Responsive to sound.
- Lullabies, night light and temperature display.
- 2-way audio: talk back to the camera via monitor or via smartphone.
- 5 "/12.7 cm touch screen monitor.
- Panorama (left-right) + tilt (up-down) + digital zoom at a distance.
- iOS and Android app.
- Alarm when camera is out of reach.

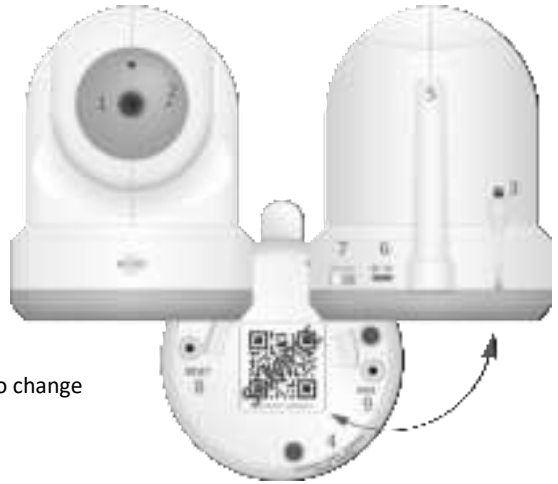
Box content

- 1 Wireless camera.
- 2 Mounting bracket.
- 3 Wireless monitor.
- 4 Charging station for monitor.
- 5 Adapter (2 x).
- 6 Screws and plugs.
- 7 Instruction manual.



Camera overview

- 1 IR sensor & LEDs for display in poor to no lighting conditions.
- 2 Microphone.
- 3 Temperature sensor, the measured ambient temperature is displayed on the monitor.
- 4 Speaker.
- 5 Antenna.
- 6 Connection for the power adapter.
- 7 On/off switch.
- 8 Reset button to reset the camera or to change camera mode.
- 9 Pair button to add an extra camera.



Monitor overview

- 1 Antenna: sends and receives signals to or from the camera.
- 2 Sound bar: indicates the sound level which is detected by the camera.
- 3 Connection for the power adapter.
- 4 "/12,7 cm TFT LCD screen.
- 5 Microphone.
- 6 On/off button: press this button for approximately 4 seconds to turn the monitor on/off.
- 7 Speaker.
- 8 Table stand.
- 9 Lithium battery, remove the plastic strip before use.



Monitor symbols

1. Signal indicator: indicates the strength of the signal that is received from the camera.

2. Digital clock: shows the time that is set on the monitor.
3. Camera display indication.
4. Night light on/off.
5. If you are using the app on your smartphone, this symbol will turn white.
6. Zoom mode, indicates the zoom factor, to 1.5 times and 2 times.
7. Monitor speaker. If the symbol is white, the speaker is off. If it is grey the speaker is on.



8. Battery status:
 - Flashing: the battery is almost dead.
 - 1 bar: the battery has a quarter charge.
 - 2 bars of white: the battery has half a charge.
 - 3 bars of white: the battery is 3 quarters charged.
 - 4 bars of white: the battery is fully charged (the adapter is not connected).
 - 4 bars of white and lightning bolt: the battery is fully charged (adapter is connected).
 - Lightning bolt icon: the adapter is connected.
9. Temperature display of the room in which the camera is placed.
10. Timer with alert signal for feeding times.
11. Quad screen: press this button to switch to quad screen. When two cameras are linked the screen is split in 2 (split screen). If more than two cameras are paired, there are four different displays shown. Up to a maximum of 4 cameras can be paired.
12. Microphone: hold this button to talk through the camera.

Getting started

- 1 The monitor must be fully charged by the adapter or the charging station before use. The camera has to be powered by the adapter at all times.
- 2 Place the camera in a desired position. You can place the camera on a table/cabinet or mount it to the wall using the mounting bracket.
- 3 Press the on/off button for approximately 4-5 seconds to turn on the monitor.
- 4 Slide the on/off switch to the ON position to turn on the camera.

Pairing the camera to the monitor

The monitor and camera are already paired by default. It is only necessary to pair an additional camera. If this is the case, follow these steps:



- 1 Turn on the monitor.
- 2 Turn on the camera.
- 3 Touch the screen and press the button in the lower left corner of the monitor.
- 4 Press the icon and select channel 2, 3 or 4 in order to pair the camera.
- 5 Press the [PAIR] button (underneath the camera) within the 30 second countdown period.
- 6 When the monitor is successfully paired with the camera, it will automatically switch to the live view of this camera.

Control buttons

By tapping anywhere on the screen, the control buttons will appear.

- 1 Menu page: the monitor and camera settings can be adjusted here.
- 2 Volume settings.
- 3 Zoom mode, indicates the zoom factor, zoom 1.5 times or 2 times.
- 4 Press the music note symbol to activate 1 of the 3 lullabies. Select one song to activate that the music or select 'All' to let them all play in a loop.
- 5 Navigation control to pan the camera remotely (left/right) or to tilt it (top/bottom).



Menu page

- 1 Connect/pair: 3 additional cameras can be paired.
- 2 VOX, set the sensitivity of the to be detected sound levels.
- 3 The current time, date and timer can be set here.
- 4 Language setting for the monitor, there are six options: English, German, French, Italian, Dutch and Spanish.
- 5 You can adjust the brightness of each individual camera.



-
- 6 Change temperature display in Celsius or Fahrenheit and set the range of the temperature alarm.
 - 7 Volume control of the alarm and each individual camera.
 - 8 Factory settings, reset the monitor to factory settings.
 - 9 Back to the previous page.
 - 10 Back to current actual image display (Live View).

Split screen and switching live views automatically

If 2 or more cameras are added to the monitor it is possible to view the live views in split screen or even in quad screen. It is also possible to let the monitor switch between the live views of the different cameras every 5 seconds.

Split and quad screen

- 1 Add an additional camera as described in 'Pairing the camera to the monitor'.
- 2 Press bottom left in the home screen to view your cameras in split or quad screen.

In this screen it is possible to view all live views from the cameras. It is also possible to switch between the sound the cameras record. To do this, press in the top right of the screen. If you press one of the live views, the monitor will only show the live view of that camera.

Switching live views automatically

It is possible to change to live views of the cameras automatically by clicking on the icon with the check mark bottom left in the split or quad screen overview. The live view shown on the monitor will then change every 5 seconds.

ELRO Babycam app

Go to the Google Play Store or Apple App Store to download the ELRO Babycam app and install it on your smartphone. We advise you to turn off the monitor when installing the ELRO Babycam app. To connect the camera to the ELRO Babycam app, you need to connect the adapter and set the switch to the ON position first. You should then connect your phone to the Wi-Fi signal that is transmitted by the camera. You can only connect the camera with a 2,4 GHz Wi-Fi signal (5GHz Wi-Fi is not possible). If you have an Android smartphone, follow the steps under "Android smartphone". If you have an iOS smartphone, follow the steps under "iOS smartphone".

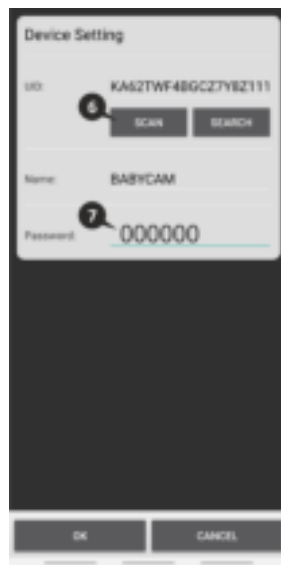
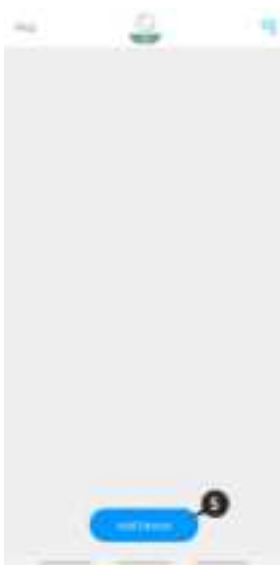
Android smartphone

- 1 Press the reset button until the night light underneath the camera flashes 3 times.
- 2 Then, briefly press the reset button 1 time, the night light will quickly flash.
- 3 After 10 seconds, briefly press on the reset button 1 time, the night light will start to flash slowly.
- 4 Now go to the Wi-Fi settings of your smartphone and connect to the Wi-Fi signal of the camera ending on - - - - 111A with your smartphone (Comment: This network does not have access to the internet). If you are asked to switch to a different network, choose to cancel.
- 5 Open the ELRO Babycam app and add the camera by selecting "Add Device".
- 6 Then scan the QR code, which you will find on the bottom of the camera.

- 7 Fill in a name for the camera and 000000 at "Password", then press "OK".
- 8 The camera will now be online and the live view can be watched.
- 9 You will be asked to change the unsafe password '000000', select "OK". Fill the old and new password and select "OK". The new password should contain at least 6 characters, one uppercase letter, one lowercase letter, one digit and one special character (choose from: ~`@#\$\$%^&*()_-=+|{}[].?/).
- 10 Go to camera settings.
- 11 Select "Wi-Fi setting" to change the Wi-Fi Setting of the camera to your own network.
- 12 At SSID, select your own network (Home network).
- 13 Enter the password of your own network here and select "SEND". By selecting the eye symbol on the right side, you can see what you are typing. After selecting "SEND", the camera stops transmitting its Wi-Fi signal. The night light at the bottom of the camera stops flashing slowly, then lights continuously.
- 14 You will then be asked to close the app. Open the app again after the light has turned off and you have seen 3 short light flashes.
- 15 Swiping from left to right or from top to bottom allows you to point the camera in the desired position (Pan/Tilt adjustment).

Comment

If the installation has failed for some reason, start over at the beginning of this chapter. Disconnect the camera from the power by turning the camera off and then removing the adapter from the power outlet.







Alternative method Android

- 1 Press the reset button until the night light underneath the camera flashes 3 times.
- 2 Then, briefly press the reset button 1 time, the night light will quickly flash.
- 3 Open the ELRO Babycam app and add the camera by selecting "Add Device".
- 4 Then scan the QR code, which you will find on the bottom of the camera.
- 5 Fill in "000000" at Password and press "OK".
- 6 Go to camera settings.
- 7 Press smartlink and make sure that your smartphone is connected to your 2.4GHz wifi signal.
- 8 Fill in the password of your wifi and press "Send"
- 9 The light of the camera will turn on, wait until the light turns off before you do anything.
- 10 The camera will now be online and the live view can be watched. You will be asked to change the unsafe password '000000', select "OK".
- 11 Fill in the old and new password and select "OK". The new password should contain at least 6 characters, one uppercase letter, one lowercase letter, one digit and one special character (choose from: ~`@#\$\$%^&*()_-=+|{}[].?/).
- 12 The camera is successfully added to the app!

iOS smartphone

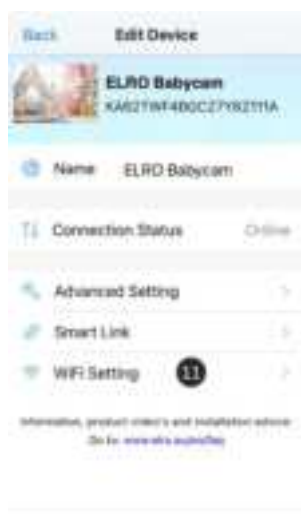
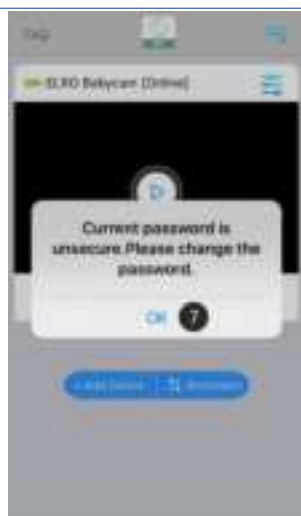
- 1 Press the reset button until the night light underneath the camera flashes 3 times.
- 2 Then, briefly press the reset button 1 time, the night light will flash quickly. After 10 seconds briefly press on the reset button one more time, the night light will start to flash slowly.
- 3 Now go to the Wi-Fi settings of your smartphone and connect to the Wi-Fi signal from the camera, ending on - - - - 111A with your smartphone (Comment: This network does not have access to the internet. If you are asked to switch to a different network, choose to cancel).
- 4 Open the ELRO Babycam app and press "+ Add Device".

- 5 Select "QR Code" and scan the CQ code, which you will find underneath the camera.
- 6 Fill in a name for your camera, enter 000000 at password and select "Save".
- 7 You will be asked to change the unsafe password 000000, press "OK".
- 8 Fill in the old password, create a new password and press "OK". The new password should contain at least 6 characters, one uppercase letter, one lowercase letter, one digit and one special character (choose from: ~`@\$%^&*()_+={|}[].?/).
- 9 The camera will now be online and the live view can be watched.
- 10 Go to the camera settings
- 11 Press "WiFi Setting"
- 12 Your WiFi SSID will be filled in automatically. Enter your WiFi password. By selecting the 'eye' symbol on the right-hand side you will be able to see what you are typing. Then, select "Send". After selecting "Send", you will be asked to close the app. The camera will stop transmitting the Wi-Fi signal. The night light at the bottom of the camera will stop flashing slowly, then light continuously and flash 3 times.
- 13 You can now reopen the app again.
- 14 Swiping from left to right or up and down allows you to point the camera in the desired position (Pan/Tilt adjustment).

Comment

If the installation has failed for some reason, start over at the beginning of this chapter. Disconnect the camera from the power by turning the camera off and then removing the adapter from the power outlet.







Connecting with second smartphone

When the camera is connected to the WiFi network, it is easy to add the camera on other phones by following these steps:

- 1 Download the app on the phone on which the camera will be added.
- 2 Open the app and press "Add Device".
- 3 Scan the QR code.
- 4 Fill in a name and the password which you made earlier.
- 5 The camera is added successfully.

Receiving notifications

In order to receive notifications on the phone, the VOX mode must be enabled on the monitor for the camera in question. The notifications must also be turned on in the settings of your phone and all permissions must be accepted.

Reset password

If you forgot your password, please follow the steps below:

- 1 Press and hold the reset button at the bottom of the camera for 1-2 seconds (warning: if you press the reset button for more than 3 seconds and the led starts flashing, you have to start again at chapter "ELRO Babycam app"). The password will be reset to the default password 000000.
- 2 Close the ELRO Babycam app and open it again.
 - For iOS:
 - Click in the Device List on the settings button (i). Replace the black dots by the default password 000000 and click on "Back".

- Open the camera. You will receive a message that the current password is unsafe and has to be changed. Press ok.
- Fill in the default password 000000 and your new password. Your new password should contain at least 6 characters, one uppercase letter, one lowercase letter, one digit and one special character (choose from: ~`@\$%^*()_+=|{}[].?/).
- **For Android:**
 - Fill in the default password 000000 when a notification pops up and click on confirm.
 - Open the camera. You will be asked to fill the default password 000000 and your new password. Your new password should contain at least 6 characters, one uppercase letter, one lowercase letter, one digit and one special character (choose from: ~`@\$%^*()_+=|{}[].?/).

Frequently asked questions (FAQ) and troubleshooting

Are you having problems with the installation of this device? Please visit www.elro.eu/faq to get a quick answer to your question. Here you will find the latest version of the instruction manual, answers to frequently asked questions (FAQ) and detailed installation videos.

13. My camera is out of range.

- Make sure the antenna of the monitor is fully extended when using the system. This will result in an optimal range of the baby monitor.

14. I'm unable to connect the camera with my smartphone.

- For the installation of the app you need to have a pure 2.4GHz wifi signal. This means that you cannot use a combined wifi signal that transmits both 2.4GHz and 5GHz. Before the installation, the 5GHz signal must be temporarily switched off. After the installation, the 5GHz signal can simply be switched back on again.
- Another possibility is to create a separate 2.4GHz 'guest network'.
- Do not open the app again until the camera light is off.

15. I can't see the wifi that the camera sends out on my phone.

- If the wifi name does not appear in the wifi list, you can use the alternative connection method explained earlier.

16. I can't watch the camera's live view when using 4G.

- Use a separate 2.4GHz wifi signal. This is usually a 'calmer' connection.

Technical specifications

System	
Frequency	2.4 GHz (Wi-Fi) 2.4 GHz (FHSS)
Transmitter power	17dBm (FHSS), 15+/-1dBm (Wi-Fi)
RX sensitivity	- 88dBm (FHSS), - 89dBm (Wi-Fi)
Spread	FHSS, Wi-Fi
Modulation	GFSK, 502.11g/n GFSK, 802.11g/n
Data speed	4Mbps (FHSS), Wi-Fi (802.11b/g/n), Wi-Fi (802.11b/g/n)

Wireless range	300 m open range (camera to monitor).
Camera	
Image sensor type	1/4" Colour CMOS Image Sensor
Effective pixel	1280 (H) x 1024 (V)
Image resolution	High max. 1.7 Mbps (10fps@1280 * 720) Low max. 0.7 Mbps (10fps@854 * 480)
Lens	3.95 mm F2.2 F2.2
Viewing angle (diagonal)	55° (FOV)
IR LED / night vision range	5m 940nm
Adapter	5V DC 1A
Operating temperature	-10 ~ 40°C -10 ~ 40 ° C
Monitor	
LCD size	5 "/12.7 cm touch panel
LCD resolution	800 x 480
Adapter	5V DC 1A
Operating temperature	-10 ~ 40 °C/14 °F ~ 104 °F
Humidity	0% ~ 85%
Rechargeable lithium battery	3,8V / 2500mAh

Safety and conformity

Warnings

- Choking hazard; keep connection cords and small parts out of the reach of children.
- Do not place camera and connectors within a distance of 1.5 meters from the cradle/box.
- Never use extension cables together with AC adapters, only use the AC adapters supplied.
- Adult persons required for assembly/installation.
- This product is not intended to replace good supervision of children. You must regularly monitor your child's activities, as this product will not help alert parents of a child's quiet activities.
- Read and follow all instructions/warnings in this manual before using this product.
- This product is for indoor use only.
- Do not use the camera or monitor near water, bathtubs, damp basement/rooms, etc.
- This product is not intended for use as a medical monitor and its use may not be used to replace adult supervision.
- The camera detects normal sound levels within a range of 2 to 3 meters from a child. If the child moves out of this range, the camera may not be able to detect sounds from him or her.
- It is essential that you check the operation when first installed and then regularly afterwards.
- Check the reception regularly. Test the monitor before use and after changing the location of the camera.
- The casing of the camera and monitor may not be opened.
- To avoid overheating, you need to keep away the product and the AC adapters from direct sunlight and heat sources such as radiators, furnace, cooking appliances (e.g. stoves and ovens) and other heat-producing apparatus (e.g. amplifiers, televisions and stereos).

-
- Ensure good ventilation of the product during use. Avoid contact with pillows and furniture that can block the ventilation.
 - Only use the AC adapters supplied with the product, as other adapters can damage the product.
 - Connect the adapters only to the standard household current (100~240 volts AC)
 - Place the AC adapters and avoid bottlenecks to prevent damage.
 - Do not touch the exposed end of the net cord of the net adapter when this is connected to the power outlet.
 - Images and sounds are transmitted by the product via the public ether and can be picked up by other devices.
 - Although the transmission distance is 100 m or more (open space), it may vary depending on obstacles between camera and monitor.
 - Note: If you use the system to monitor a young child, do not place the camera where the child can get to the camera.
 - If the monitor is only used with the battery and this is almost empty, it can affect the image and/or sound. Connect the AC adapter and the battery will automatically charge.
 - The transmission range of the wireless signal can become weaker if there are heavy obstacles such as a concrete, brick or metal wall between the camera and the monitor, or if there are several Wi-Fi routers and devices in your area.
 - To avoid interference with the RF signal, keep your mobile phone at a distance of at least 1 meter from the camera and the monitor.
 - Explosion hazard if the battery is replaced by the wrong type.
 - Dispose of used batteries as instructed.

Simplified EU Declaration of Conformity

Hereby, ELRO Europe declares that the radio equipment type BC3000 Baby Monitor Royale is in compliance with Directive 2014/53/EU. The full text of the EU declaration of conformity is available at the following internet address: www.elro.eu/doc.

Symbols



The WEEE symbol means that this product and its batteries must be disposed of separately from household waste. When this product reaches the end of its lifetime, take it to a designated waste collection point nearby to ensure safe disposal or recycling. Protect the environment and public health, deal with natural resources responsibly!



By affixing the CE mark on a product, the manufacturer declares that the product meets all legal requirements for CE marking and can be sold throughout the EEA.



Please visit www.elro.eu for the warranty conditions of this product.

Service and contact

In order to ensure that we can provide our customers with the best possible service as quickly as possible, we ask you to take the following into account:

For questions about the installation, use or operation of this product:

- Go to www.elro.eu/faq to get a quick answer to your question. Here you will find answers to frequently asked questions, detailed installation videos and the latest version of the manual for this product.
- Can't find a solution via the website? Please leave a question via the product page or mail to info@elro.eu. We will help you as soon as possible.

For all other questions:

- Mail to info@elro.eu. We will answer your questions as soon as possible.

This product is produced by:

ELRO Europe

Postbus 9607 - Box E800
1006 GC Amsterdam
The Netherlands
www.elro.eu

Eigenschaften.....	- 20 -
Lieferumfang.....	- 20 -
Kameraübersicht.....	- 21 -
Monitorübersicht.....	- 21 -
Monitorsymbole.....	- 21 -
Inbetriebnahme.....	- 22 -
Monitor und Kamera verknüpfen.....	- 22 -
Bedientasten.....	- 23 -
Seitenmenü.....	- 23 -
Geteilter Bildschirm und automatisches Umschalten zwischen Kamerabildern.....	- 24 -
Geteilter und vierfacher Bildschirm.....	- 24 -
Automatisches Umschalten zwischen Kamerabildern.....	- 24 -
ELRO Babycam App.....	- 24 -
Android-Smartphone.....	- 25 -
Alternative Methode Android.....	- 27 -
iOS-Smartphone.....	- 28 -
Verbindung mit dem zweiten Smartphone.....	- 31 -
Benachrichtigungen erhalten.....	- 31 -
Passwort vergessen.....	- 31 -
Häufig gestellte Fragen (FAQ) und Fehlerbehebung.....	- 32 -
Technische Spezifikationen.....	- 32 -
Sicherheit und Konformität.....	- 33 -
Service und Kontakt.....	- 35 -

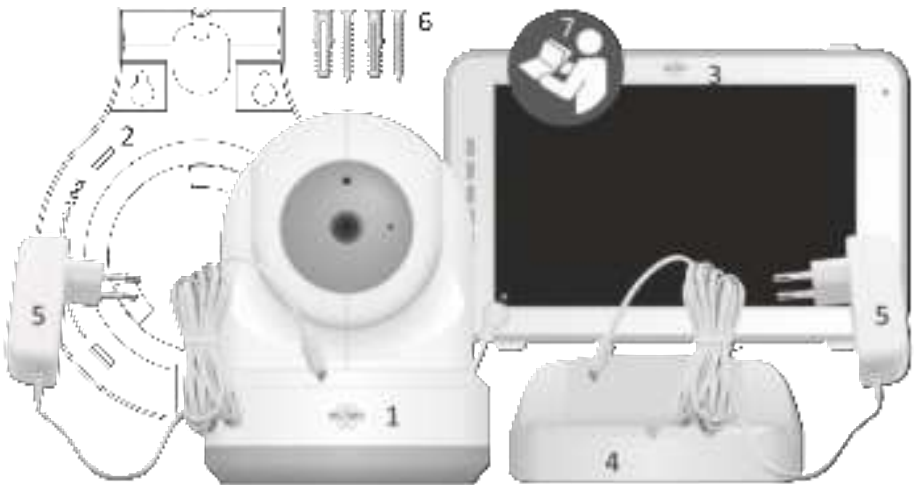
Unter www.elro.eu können Sie die neueste Version dieses Anleitungshandbuchs herunterladen!

Eigenschaften

- 2,4 GHz FHSS + Wi-Fi Dual Mode-Technologie.
- Auf bis zu 4 Kameras erweiterbar, mit einfachem (1), geteiltem (2) oder Quad-Bildmonitor (4).
- Sprachauswahl: Englisch, Deutsch, Französisch, Spanisch, Italienisch, Niederländisch.
- Kamera mit Nachtsichtfunktion.
- Geräuschsensor.
- Schlaflieder, Nachtlicht und Temperaturanzeige.
- 2-Weg-Audio: Sprachübertragung zur Kameraeinheit über Monitor oder Smartphone.
- 5" / 12,7 cm Touchscreen-Monitor.
- Panorama- (links-rechts) + Neigungsfunktion (oben-unten) + digitaler Zoom mit Fernsteuerung.
- iOS- und Android App.
- Alarm, wenn die Kamera außer Reichweite ist.

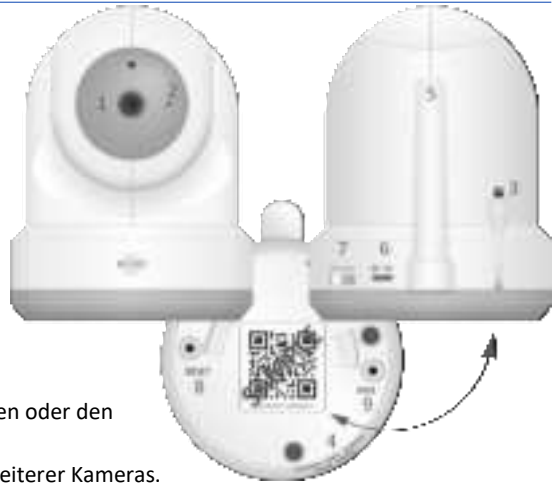
Lieferumfang

- 1 Kabellose Kamera.
- 2 Montagehalterung.
- 3 Kabelloser Monitor mit 5" / 12,7 cm (Bildschirmdiagonale).
- 4 Monitor-Ladestation.
- 5 Adapter (2 x).
- 6 Schrauben und Stecker.
- 7 Anleitungshandbuch.



Kameraübersicht

- 1 IR-Sensor & LEDs zur Wiedergabe bei schlechten Lichtbedingungen oder Dunkelheit.
- 2 Mikrofon.
- 3 Temperatursensor, die gemessene Umgebungstemperatur wird am Monitor angezeigt.
- 4 Lautsprecher.
- 5 Antenne.
- 6 Anschluss für das 5V 1A-Netzteil.
- 7 Ein- und Ausschalter.
- 8 Reset-Taste, um die Kamera zu resetten oder den Kameramodus zu ändern.
- 9 Verbindungsknopf zum Verknüpfen weiterer Kameras.



Monitorübersicht

- 1 Antenne zum Senden und Empfangen von Signalen an oder von der Kamera.
- 2 Geräuschpegelanzeige, der von der Kamera empfangen wird.
- 3 Anschlüsse für das 5 V 1 A-Netzteil.
- 4 5" / 12,7 cm TFT LCD-Bildschirm.
- 5 Mikrofon.
- 6 Ein- / Ausschalter, halten Sie diese Taste etwa 4 Sekunden lang gedrückt, um den Monitor ein- / auszuschalten.
- 7 Lautsprecher.
- 8 Tischständer.
- 9 Lithiumbatterie, Plastikstreifen vor Gebrauch entfernen.



Monitorsymbole

- 1 Signalanzeige, gibt die von der Kamera empfangene Signalstärke an.
- 2 Gibt am Monitor eingestellte Zeit an.
- 3 Kamerawiedergabe.
- 4 Nachtlicht an und aus.

5 Bei Verwendung der Smartphone ist dieses Symbol weiß.

6 Zoommodus, gibt den Zoomfaktor bei 1,5- oder 2-fachem Zoom an.

7 Monitorlautsprecher, weißer Anzeige Lautsprecher aus-, grauer Anzeige eingeschaltet.

8 Batteriestatus:

- Blinkt: Die Batterie ist fast leer
- 1 Balken: Die Batterie ist zu einem Viertel geladen.
- 2 Balken: die Batterie ist noch zur Hälfte geladen.
- 3 Balken: die Batterie ist noch zu drei Vierteln geladen.
- 4 Balken: die batterie ist vollständig geladen (Kein Netzteil angeschlossen).
- 4 Balken + Blitzanzeige: vollständig geladen (Netzteil \ angeschlossen).
- Piktogramm-Blitzanzeige: das Netzteil ist angeschlossen.

9 Anzeige der Zimmertemperatur am Standort der Kamera.

10 Timer mit akustischem Signal zur Fütterungszeit.

11 Vierfachbildschirm: Drücken Sie diese Taste, um zum Vierfachbildschirm zu wechseln. Wenn zwei Kameras miteinander verbunden sind, wird der Bildschirm in 2 Teile geteilt (geteilter Bildschirm). Wenn mehr als zwei Kameras miteinander verbunden sind, werden vier verschiedene Anzeigen angezeigt. Es können maximal 4 Kameras gepaart werden.

12 Sprachfunktion, halten Sie diese Taste gedrückt, um über die Kamera zu sprechen.



Inbetriebnahme

1. Der Monitor muss vor Gebrauch vollständig mit dem Netzteil oder über die Ladestation aufgeladen werden. Die Kamera muss über eine permanente Stromversorgung verfügen.
2. Platzieren Sie die Kamera in der gewünschten Position. Sie können die Kamera auf einem Tisch / Schrank platzieren oder mit Hilfe des Montagegestells an der Wand befestigen.
3. Halten Sie den Ein-/Ausschaltknopf etwa 4-5 Sekunden lang gedrückt, um den Monitor einzuschalten.
4. Schieben Sie dann den Ein-/Ausschalter in die ON-Position, um die Kamera einzuschalten.

Monitor und Kamera verknüpfen

Monitor und Kamera wurden bereits verknüpft. Nur für den Fall, dass Sie eine zusätzliche Kamera einbinden möchten, muss diese verknüpft werden. Gehen Sie wie folgt vor:



- 1 Schalten Sie den Monitor ein.
- 2 Schalten Sie die Kamera ein.
- 3 Berühren Sie den Bildschirm und drücken Sie die Taste in der linken unteren Ecke des Monitors.
- 4 Drücken Sie auf das Piktogramm und wählen Sie den Kamerakanal 2, 3 oder 4 aus, in den Sie die Kamera einbinden möchten.
- 5 Drücken Sie innerhalb des 30-sekündigen Countdowns den [PAIR]-Knopf (Kameraunterseite).
- 6 Ist die Verknüpfung der Kamera mit dem Monitor erfolgreich, wird automatisch das von dieser Kamera aufgezeichnete Bild angezeigt.

Bedientasten

Sie können sich die Bedientasten ansehen, in dem Sie auf einen beliebigen Punkt auf dem Bildschirm tippen.

- 1 Seitenmenü, hier können Monitor- und Kameraeinstellungen vorgenommen werden.
- 2 Lautstärke regulieren.
- 3 Zoommodus, zeigt den Zoomfaktor 1,5- oder 2-facher Zoom an.
- 4 Drücken Sie auf das Piktogramm mit den Musiknoten, um 1 der 3 Schlaflieder zu aktivieren. Drücken Sie auf die jeweilige Nummer oder auf "All" (alle 3), um sie in dem Raum abzuspielen, in dem sich die Kamera befindet.
- 5 Steuerungsfunktion, um die Kamera ferngesteuert zu schwenken (links / rechts) oder zu neigen (oben/unten).



Seitenmenü

- 1 Koppeln / Einbinden, es können 3 zusätzliche Kameras gekoppelt werden.
- 2 VOX, stellen Sie die Empfindlichkeit der Geräuschpegel ein.
- 3 Hier können die aktuelle Zeit, das Datum und ein Timer eingestellt werden.

4 Spracheinstellung für den Monitor: Englisch, Deutsch, Französisch, Italienisch, Niederländisch und Spanisch.

5 Sie können die Helligkeit jeder einzelnen Kamera anpassen.

6 Celsius- oder Fahrenheit-Einstellung und Temperaturalarmgrenze für hohe und niedrige Temperaturen.

7 Lautstärkeregelung jeder einzelnen Kamera und der Alarmfunktionen.

8 Werkseinstellungen, setzen Sie den Monitor auf die Werkseinstellungen zurück.

9 Zurück zur vorherigen Seite.

10 Zurück zur aktuellen Bildwiedergabe (Live View).



Geteilter Bildschirm und automatisches Umschalten zwischen Kamerabildern

Wenn 2 oder mehr Kameras zum Monitor hinzugefügt werden, ist es möglich, die Live-Ansichten im Split-Screen oder sogar im Quad-Screen zu betrachten. Es ist auch möglich, den Monitor alle 5 Sekunden zwischen den Live-Ansichten der verschiedenen Kameras umschalten zu lassen.

Geteilter und vierfacher Bildschirm

- 1 Fügen Sie eine zusätzliche Kamera hinzu, wie unter 'Koppeln der Kamera mit dem Monitor' beschrieben.
- 2 Drücken Sie in der Startansicht unten links, um Ihre Kameras im geteilten oder vierfachen Bildschirm anzuzeigen.

In diesem Bildschirm ist es möglich, alle Bilder der Kameras zu betrachten. Es ist auch möglich, zwischen dem von den Kameras aufgezeichneten Ton umzuschalten. Drücken Sie dazu oben rechts auf dem Bildschirm. Wenn Sie auf eines der Bilder drücken, wird auf dem Monitor nur das Bild dieser Kamera angezeigt.

Automatisches Umschalten zwischen Kamerabildern

Sie können die Kamerabilder automatisch ändern lassen, indem Sie in der geteilten oder vierfachen Bildschirmübersicht unten links auf die Bilder mit dem Häkchen klicken. Das vom Monitor angezeigte Bild ändert sich dann alle 5 Sekunden.

ELRO Babycam App

Gehen Sie auf Google Play oder Apple App Store, um die ELRO Babycam App herunterzuladen und sie auf Ihrem Smartphone zu installieren. Wir empfehlen Ihnen, den Monitor beim Installieren der ELRO Babycam App auszuschalten. Um die Kamera mit Ihrem Smartphone zu verknüpfen, müssen

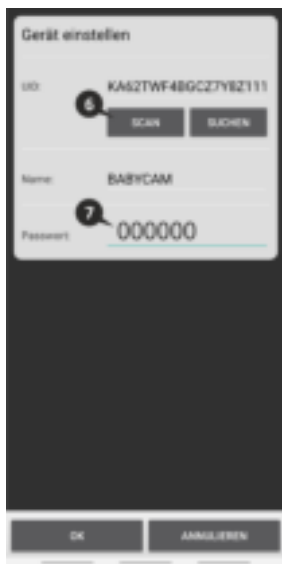
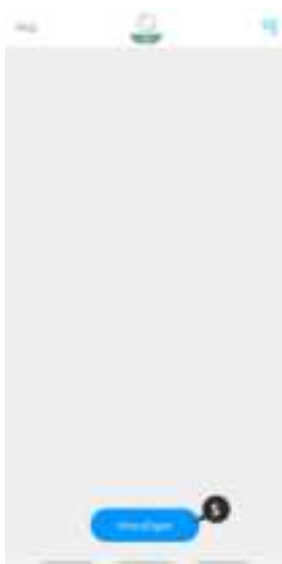
Sie zuerst das Netzteil anschließen und den Schalter in die ON-Position bringen. Das von der Kamera gesendete Wi-Fi-Signal muss anschließend mit Ihrem Smartphone verknüpft werden. Sie können die Kamera nur mit einer 2,4 Ghz Wi-Fi-Verbindung verknüpfen (5 Ghz Wi-Fi ist nicht verfügbar). Wenn Sie ein Android-Smartphone besitzen, führen Sie die Schritte unter "Android-Smartphone". Wenn Sie ein iOS-Smartphone besitzen, führen Sie die Schritte unter "iOS-Smartphone" aus.

Android-Smartphone

- 1 Drücken Sie den Reset-Taste, bis das Nachtlicht an der Unterseite der Kamera 3 x blinkt.
- 2 Drücken Sie den Reset-Taste anschließend 1x kurz, das Nachtlicht blinkt schnell.
- 3 Drücken Sie den Reset-Taste nach 10 Sekunden 1 x kurz, das Nachtlicht blinkt langsam.
- 4 Gehen Sie nun in die Wi-Fi-Einstellungen Ihres Smartphones und verbinden Sie das Wi-Fi Signal der Kamera, endend mit - - - - 111A, mit Ihrem Smartphone (Hinweis: Dieses Netzwerk hat keinen Zugang zum Internet. Sollten Sie aufgefordert werden, sich in ein anderes Netzwerk einzuwählen, brechen Sie den Vorgang ab).
- 5 Öffnen Sie die ELRO Babycam App und fügen Sie die Kamera hinzu, indem Sie auf "Hinzufügen" tippen.
- 6 Scannen Sie anschließend den QR-Code. Diesen finden Sie auf der Unterseite der Kamera.
- 7 Geben Sie das "Passwort" 000000 ein und tippen Sie auf "OK".
- 8 Die Kamera ist jetzt online, tippen Sie auf ansehen. Sie werden aufgefordert, das unsichere Passwort 000000 zu ändern, tippen Sie auf "OK".
- 9 Geben Sie das alte und neue Passwort ein und wählen Sie "OK". Ihr neues Passwort sollte mindestens 6 Zeichen lang sein, einen Großbuchstaben, einen Kleinbuchstaben, eine Ziffer und ein Sonderzeichen (Auswahl aus: ~`@#\$\$%^*()_-=|{}[].?/).
- 10 Gehen Sie zu den Kameraeinstellungen.
- 11 Drücken Sie auf „WiFi Setting“, um die Wi-Fi-Einstellungen der Kamera an ihr eigenes Netzwerk anzupassen.
- 12 Wählen Sie bei SSID ihr eigenes Netzwerk (Home Network) aus.
- 13 Geben Sie hier das Passwort Ihres eigenen Netzwerks ein und drücken Sie auf "Versenden". Indem Sie auf das "Augen"-Symbol auf der rechten Seite tippen, können Sie Ihre Eingabe sehen. Nachdem Sie auf "Versenden" getippt haben, stoppt die Kamera mit dem Senden des Wi-Fi-Signals. Das Nachtlicht an der Unterseite der Kamera hört langsam auf zu blinken und geht anschließend zu einem kontinuierlichen Leuchten über, wonach es zum Abschluss noch drei Mal kurz aufblinkt.
- 14 Anschließend werden Sie aufgefordert, die App zu schließen und erneut wieder zu öffnen.
- 15 Indem Sie das Bild von links nach rechts oder von oben nach unten streichen, können Sie die Kamera in der gewünschten Position ausrichten (Pan / Tilt-Adjustment).

Hinweis

Sofern es Ihnen aus irgendeinem Grund nicht gelungen ist, die Kamera mit Ihrem Smartphone und anschließend die App mit Ihrem Netzwerk zu verbinden, beginnen Sie erneut bei dieses Kapitel. Nehmen Sie die Kamera vom Stromnetz, indem Sie zuerst den Schalter in die OFF-Position bringen und anschließend das Netzteil vom Stromkreis trennen.





Alternative Methode Android

- 1 Drücken Sie den Reset-Taste, bis das Nachtlicht an der Unterseite der Kamera 3 x blinkt.
- 2 Drücken Sie den Reset-Taste anschließend 1x kurz, das Nachtlicht blinkt schnell.
- 3 Öffnen Sie die ELRO Babycam App und fügen Sie die Kamera hinzu, indem Sie auf "Hinzufügen" tippen.
- 4 Scannen Sie anschließend den QR-Code. Diesen finden Sie auf der Unterseite der Kamera.

-
- 5 Geben Sie das "Passwort" 000000 ein und tippen Sie auf "OK".
 - 6 Gehen Sie zu den Kameraeinstellungen.
 - 7 Drücken Sie smartlink und vergewissern Sie sich, dass Ihr Smartphone mit Ihrem 2,4 GHz WiFi-Signal verbunden ist.
 - 8 Geben Sie das Passwort Ihres WLANs ein und drücken Sie "Versenden".
 - 9 Das Licht wird nun ständig brennen, warten Sie, bis das Licht ausgeht, bevor Sie fortfahren.
 - 10 Die Kamera ist jetzt online, tippen Sie auf ansehen. Sie werden aufgefordert, das unsichere Passwort 000000 zu ändern, tippen Sie auf "OK".
 - 11 Geben Sie das alte und neue Passwort ein und wählen Sie "OK". Ihr neues Passwort sollte mindestens 6 Zeichen lang sein, einen Großbuchstaben, einen Kleinbuchstaben, eine Ziffer und ein Sonderzeichen (Auswahl aus: ~`@#%\$%^*()_-=|{}[].?/).
 - 12 Die Kamera wurde erfolgreich zur App hinzugefügt!

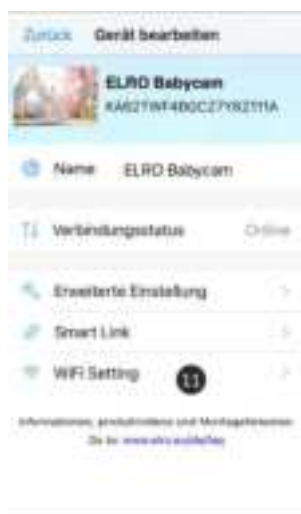
iOS-Smartphone

- 1 Drücken Sie den Reset-Taste, bis das Nachtlicht an der Unterseite der Kamera 3 x blinkt.
- 2 Drücken Sie dann die Reset-Taste 1 Mal kurz, das Nachtlicht blinkt schnell. Nach 10 Sekunden noch einmal kurz auf den Rückstellknopf drücken, das Nachtlicht beginnt langsam zu blinken.
- 3 Gehen Sie nun in die WLAN Einstellungen Ihres Smartphones und verbinden Sie das Wi-Fi Signal der Kamera, endend mit - - - - 111A, mit Ihrem Smartphone (Hinweis: Dieses Netzwerk hat keinen Zugang zum Internet. Sollten Sie aufgefordert werden, sich in ein anderes Netzwerk einzuwählen, brechen Sie den Vorgang ab).
- 4 Öffnen Sie die ELRO Babycam App und drücken Sie "+ Hinzufügen".
- 5 Wählen Sie "QR-Code" und scannen Sie den QR-Code, der sich auf der Unterseite der Kamera findet.
- 6 Geben Sie einen Namen für Ihre Kamera ein, geben Sie beim Passwort 000000 ein und wählen Sie "Speichern".
- 7 Sie werden aufgefordert, das unsichere Passwort 000000 zu ändern, drücken Sie "OK".
- 8 Geben Sie das alte und neue Passwort ein und wählen Sie "OK". Ihr neues Passwort sollte mindestens 6 Zeichen lang sein, einen Großbuchstaben, einen Kleinbuchstaben, eine Ziffer und ein Sonderzeichen (Auswahl aus: ~`@#%\$%^*()_-=|{}[].?/).
- 9 Die Kamera ist nun online und die Live-Ansicht kann verfolgt werden.
- 10 Gehen Sie zu den Kameraeinstellungen
- 11 Drücken Sie "WiFi Setting".
- 12 Ihre WLAN SSID wird automatisch ausgefüllt. Geben Sie Ihr WiFi-Passwort ein. Wenn Sie das "Auge"-Symbol auf der rechten Seite wählen, können Sie sehen, was Sie gerade eingeben. Wählen Sie dann "Send". Nachdem Sie "Send" gewählt haben, werden Sie aufgefordert, die Anwendung zu schließen. Die Kamera wird die Übertragung des WLAN Signals beenden. Das Nachtlicht an der Unterseite der Kamera hört auf, langsam zu blinken, leuchtet dann kontinuierlich und blinkt dreimal.
- 13 Sie können die App jetzt wieder öffnen.
- 14 Indem Sie das Bild von links nach rechts oder von oben nach unten streichen, können Sie die Kamera in die gewünschte Position ausrichten (Pan / Tilt-Adjustment).

Hinweis

Sofern es Ihnen aus irgendeinem Grund nicht gelungen ist, die Kamera mit Ihrem Smartphone und anschließend die App mit Ihrem Netzwerk zu verbinden, beginnen Sie erneut bei dieses Kapitel. Nehmen Sie die Spannung von der Kamera, indem Sie erst den Schalter in die OFF-Position bringen und anschließend den Adapter von der Steckdose trennen.







Verbindung mit dem zweiten Smartphone

Wenn die Kamera an das WiFi-Netzwerk angeschlossen ist, ist es einfach, die Kamera auf anderen Telefonen hinzuzufügen, indem Sie die folgenden Schritte befolgen:

- 1 Laden Sie die App auf das Telefon herunter, auf dem die Kamera hinzugefügt werden soll.
- 2 Öffnen Sie die Anwendung und drücken Sie "Hinzufügen".
- 3 Scannen Sie den QR-Code ein.
- 4 Geben Sie einen Namen und das Passwort ein, das Sie zuvor eingegeben haben.
- 5 Die Kamera wurde erfolgreich hinzugefügt.

Benachrichtigungen erhalten

Um Benachrichtigungen am Telefon zu erhalten, muss der VOX-Modus auf dem Monitor für die betreffende Kamera aktiviert sein. Die Benachrichtigungen müssen auch in den Einstellungen Ihres Telefons eingeschaltet sein und alle Berechtigungen müssen akzeptiert werden.

Passwort vergessen

Wenn Sie Ihr Passwort vergessen haben, führen Sie bitte die folgenden Schritte aus:

- 1 Drücken und halten Sie die Reset-Taste an der Unterseite der Kamera für 1-2 Sekunden (Warnung: Wenn Sie die Reset-Taste länger als 3 Sekunden drücken und die LED blinkt, müssen Sie im Kapitel "ELRO Babycam App" erneut beginnen). Das Passwort wird auf das Standardpasswort 000000 zurückgesetzt.
- 2 Schließen Sie die ELRO Babycam App und öffnen Sie sie wieder.
 - Für iOS:
 - Klicken Sie in der Device List auf die Einstellungs-Taste (i). Ersetzen Sie die schwarzen Punkte durch das Standardpasswort 000000 und klicken Sie auf "Back".

- Öffnen Sie die Kamera. Sie erhalten eine Meldung, dass das aktuelle Passwort unsicher ist und geändert werden muss. Drücken Sie „Ok“.
- Geben Sie das Standardpasswort 000000 und Ihr neues Passwort ein. Ihr neues Passwort sollte mindestens 6 Zeichen lang sein, einen Großbuchstaben, einen Kleinbuchstaben, eine Ziffer und ein Sonderzeichen (Auswahl aus: ~`@#\$\$%^*()_-+=|{}[].?!/).
- **Für Android:**
 - Geben Sie das Standardpasswort 000000 ein, wenn eine Benachrichtigung erscheint, und klicken Sie auf „Confirm“.
 - Öffnen Sie die Kamera. Sie werden aufgefordert, das Standardpasswort 000000 und Ihr neues Passwort einzugeben. Ihr neues Passwort sollte mindestens 6 Zeichen lang sein, einen Großbuchstaben, einen Kleinbuchstaben, eine Ziffer und ein Sonderzeichen (Auswahl aus: ~`@#\$\$%^*()_-+=|{}[].?!/).

Häufig gestellte Fragen (FAQ) und Fehlerbehebung

Haben Sie Probleme mit der Installation dieses Gerätes? Bitte besuchen Sie www.elro.eu/faq, um eine schnelle Antwort auf Ihre Frage zu erhalten. Hier finden Sie die neueste Version der Bedienungsanleitung, Antworten auf häufig gestellte Fragen (FAQ) und ausführliche Installationsvideos.

- **Meine Kamera ist außer Reichweite.**
 - Stellen Sie sicher, dass die Antenne des Monitors vollständig ausgefahren ist, wenn Sie das System verwenden. Dies führt zu einer optimalen Reichweite des Babyfons.
- **Ich bin nicht in der Lage, die Kamera mit meinem Smartphone zu verbinden.**
 - Für die Installation der App benötigen Sie ein reines 2,4 GHz Wifi-Signal. Das bedeutet, dass Sie kein kombiniertes Wifi-Signal verwenden können, das sowohl 2,4 GHz als auch 5 GHz überträgt. Vor der Installation muss das 5GHz-Signal vorübergehend abgeschaltet werden. Nach der Installation kann das 5GHz-Signal einfach wieder eingeschaltet werden.
 - Eine weitere Möglichkeit ist die Schaffung eines separaten 2,4 GHz 'Gastnetzwerks'.
 - Do not open the app again until the camera light is off.
- **Ich kann das WiFi, das die Kamera auf mein Telefon sendet, nicht sehen.**
 - Wenn der Wifi-Name nicht in der Wifi-Liste erscheint, können Sie die oben erläuterte alternative Verbindungsmethode verwenden.
- **Bei Verwendung von 4G kann ich die Live-Ansicht der Kamera nicht sehen.**
 - Verwenden Sie ein separates 2,4 GHz WiFi-Signal. Dies ist normalerweise eine "ruhigere" Verbindung.

Technische Spezifikationen

System	
Frequenz	2.4 GHz (Wi-Fi) 2.4 GHz (FHSS)
Sendestärke	17dBm (FHSS), 15+/-1dBm (Wi-Fi)

RX-Empfindlichkeit	- 88dBm (FHSS), - 89dBm (Wi-Fi)
Übertragung	FHSS, Wi-Fi
Modulation	GFSK, 502.11g/n GFSK, 802.11g/n
Datenübertragungsgeschwindigkeit	4Mbps (FHSS), Wi-Fi (802.11b/g/n), Wi-Fi (802.11b/g/n)
Drahtlosempfang	300 m offene Reichweite (Kamera zum Monitor)
Kamera	
Bildsensortyp	1/4" Colour CMOS Image Sensor
Effektive Pixelzahl	1280 (H) x 1024 (V)
Bildauflösung	Hoch max. 1.7 Mbps (10fps@1280 * 720) Niedrig max. 0.7 Mbps (10fps@854 * 480)
Objektiv	3.95 mm F2.2 F2.2
Sichtfeld (Diagonal)	55° (FOV)
IR-LED / Nachtsichtbereich	5m 940nm
Adapter	5V DC 1A
Arbeitstemperatur	-10 ~ 40°C -10 ~ 40 ° C
Monitor	
LCD-Format	5 "/12.7 cm touch panel
LCD-Auflösung	800 x 480
Adapter	5V DC 1A
Arbeitstemperatur	-10 ~ 40 °C/14 °F ~ 104 °F
Luftfeuchtigkeit	0% ~ 85%
Wiederaufladbarer Lithium-Akku	3,8V / 2500mAh

Sicherheit und Konformität

Warnhinweise

- Erstickungsgefahr; Anschlusskabel und Kleinteile außerhalb der Reichweite von Kindern halten.
- Platzieren Sie die Kamera und Anschlusskabel nicht innerhalb eines Mindestabstands von 1,5 Metern zur Wiege / zum Laufstall.
- Verwenden Sie niemals Verlängerungskabel in Kombination mit den AC-Adaptoren. Nur die mitgelieferten AC-Adapter verwenden.
- Die Montage / Installation darf nur durch volljährige Personen erfolgen.
- Dieses Produkt ersetzt nicht die persönliche Beaufsichtigung eines Kindes. Sie sollten die Aktivität Ihres Kindes regelmäßig kontrollieren, da dieses Produkt die Eltern nicht bei geräuschlosen Handlungen des Kindes warnt.
- Lesen Sie vor der Verwendung des Produkts die folgenden Hinweise / Warnhinweise dieser Gebrauchsanweisung.
- Verwenden Sie die Kamera oder den Monitor nicht in der Umgebung von Wasser, Badewannen, feuchten Kellern / Räumen usw.
- Dieses Produkt ist ausschließlich für den Gebrauch in geschlossenen Räumen vorgesehen.

-
- Dieses Produkt ist nicht zur Verwendung als medizinischer Monitor geeignet und kann die Beaufsichtigung durch einen Erwachsenen nicht ersetzen.
 - Die Kamera erkennt normale Geräuschpegel in einem Bereich von 2 bis 3 Metern um ein Kind. Wenn das Kind sich außerhalb dieses Bereichs bewegt, ist die Kamera unter Umständen nicht dazu in der Lage, Geräusche von ihm oder ihr zu erkennen.
 - Es ist zwingend erforderlich, die Funktion bei der Erstinbetriebnahme und anschließend weiterhin regelmäßig zu überprüfen.
 - Kontrollieren Sie den Empfang regelmäßig. Testen Sie den Monitor vor Gebrauch und nach Veränderung des Kamerastandorts.
 - Die Gehäuse von Kamera und Monitor dürfen nicht geöffnet werden.
 - Um Überhitzung zu vermeiden, sind das Produkt und die Wechselstromadapter außerhalb der Reichweite von direkter Sonneneinstrahlung sowie Wärmequellen wie Radiatoren, Öfen, Kochgeräten (z. B. Herde und Öfen) und anderen Apparaten zu halten, die Wärme erzeugen (z. B. Verstärker, Fernseher und Stereoanlagen).
 - Stellen Sie sicher, dass das Produkt während seiner Verwendung über eine ausreichende Belüftung verfügt. Vermeiden Sie Kontakt mit Kissen und Möbeln, welche die Belüftung einschränken können.
 - Verwenden Sie nur die Wechselstromadapter, die mit dem Produkt geliefert werden, da andere Adapter das Produkt beschädigen können.
 - Schließen Sie die Netzteile nur an den Standard-Haushaltsstrom (100~240 V AC) an.
 - Vermeiden Sie es, beim Anschließen der Netzteile Kabel einzuklemmen, um Beschädigungen zu verhindern.
 - Berühren Sie niemals den ungeschützten Ausgang des Netzteils, wenn es am Stromkreis angeschlossen ist.
 - Bild und Ton können bei ihrer Übertragung durch das Produkt von anderen Geräten aufgefangen werden.
 - Obwohl der Sendebereich 100 m oder mehr (in offenen Bereichen) beträgt, kann dieser in Abhängigkeit von möglichen Hindernissen zwischen Kamera und Monitor variieren.
 - Bitte beachten: Wenn Sie das System zur Überwachung eines Kleinkindes verwenden, platzieren Sie die Kamera außerhalb der Reichweite des Kindes.
 - Wenn Sie den Monitor nur im Akkubetrieb verwenden kann dies bei einer niedrigen Akkukapazität Einfluss auf die Bild- und Geräuschwiedergabe haben. Schließen Sie das Netzteil an, der Akku wird dann automatisch geladen.
 - Der Sendebereich des Drahtlossignals kann kleiner werden, wenn sich große Hindernisse wie Beton-, Metall- oder gemauerte Wände zwischen Kamera und Monitor befinden oder wenn sich verschiedene Wi-Fi-Router und -Geräte in Ihrer Umgebung befinden.
 - Um Interferenzen mit dem RF-Signal zu vermeiden, halten Sie mit Ihrem Mobiltelefon mindestens 1 Meter Abstand zu Kamera und Monitor ein.
 - Es besteht Explosionsgefahr, wenn der Akku durch einen falschen Batterietyp ersetzt wird.
 - Entsorgen Sie leere Batterien gemäß der Entsorgungsanweisungen.

Vereinfachte EU-Konformitätserklärung

Hiermit erklärt ELRO Europa, dass der Funkanlagentyp ELRO Baby Monitor Royale der Richtlinie 2014/53/EU entspricht. Der vollständige Text der EU-Konformitätserklärung ist unter der folgenden Internetadresse verfügbar: www.elro.eu/doc

Symbole



Recycling und Entsorgung: Das WEEE-Symbol (a) bedeutet, dass die Batterien getrennt vom Haushaltsmüll zu entsorgen sind. Wenn dieses Produkt das Ende seiner Lebensdauer erreicht hat, bringen Sie es zu einer ausgewiesenen Sammelstelle in Ihrer Nähe, um eine sichere Entsorgung oder Recycling zu garantieren. Schützen Sie die Umwelt und die Gesundheit Ihrer Mitmenschen, gehen Sie verantwortungsbewusst mit natürlichen Ressourcen um!



Mit der Anbringung der CE-Kennzeichnung auf einem Produkt erklärt der Hersteller, dass das Produkt alle gesetzlichen Anforderungen für die CE-Kennzeichnung erfüllt und im gesamten EWR verkauft werden kann.



Die Garantiebedingungen für dieses Produkt finden Sie unter www.elro.eu.

Service und Kontakt

Um unseren Kunden so schnell wie möglich den bestmöglichen Service bieten zu können, bitten wir Sie, Folgendes zu beachten:

Für Fragen zur Installation, Verwendung oder Bedienung dieses Produkts:

- Gehen Sie auf www.elro.eu/faq, um eine schnelle Antwort auf Ihre Frage zu erhalten. Hier finden Sie Antworten auf häufig gestellte Fragen, detaillierte Installationsvideos und die neueste Version des Handbuchs für dieses Produkt.
- Sie finden keine Lösung über die Website? Bitte hinterlassen Sie eine Frage über die Produktseite oder eine Mail an info@elro.eu. Wir werden Ihnen so schnell wie möglich helfen.

Für alle anderen Fragen:

- Mail an info@elro.eu. Wir werden Ihre Fragen so schnell wie möglich beantworten.

Dieses Produkt wurde hergestellt von:

ELRO Europa

Postbus 9607 - Box E800
1006 GC Amsterdam
Die Niederlande
www.elro.eu

Eigenschappen	- 37 -
Inhoud verpakking	- 37 -
Overzicht camera	- 38 -
Overzicht monitor	- 38 -
Monitor symbolen	- 38 -
Aan de slag	- 39 -
De monitor en camera koppelen	- 39 -
Bedieningstoetsen	- 40 -
Menupagina	- 40 -
Split screen en automatisch wisselen tussen camerabeelden	- 41 -
Split- en quad screen	- 41 -
Automatisch wisselen tussen camerabeelden	- 41 -
ELRO Babycam app	- 41 -
Android smartphone	- 42 -
Alternatieve verbindingmethode Android	- 44 -
iOS smartphone	- 45 -
Verbinden tweede telefoon	- 47 -
Meldingen ontvangen	- 48 -
Wachtwoord vergeten	- 48 -
Veelgestelde vragen (FAQ) en troubleshooting	- 48 -
Technische specificaties	- 49 -
Veiligheid en conformiteit	- 50 -
Service en contact	- 51 -

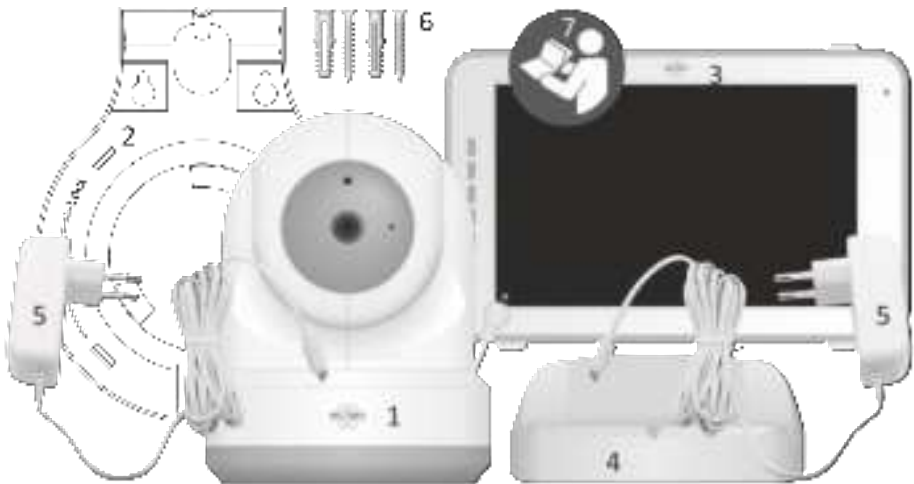
Ga naar www.elro.eu om de meest recente versie van deze gebruiksaanwijzing te downloaden!

Eigenschappen

- 2,4 GHz FHSS + Wi-Fi dual mode-technologie.
- Uit te breiden tot 4 camera's, enkelvoudig (1), gesplitst (2) of quad (4) monitorscherm.
- Taalselectie: Engels, Duits, Frans, Spaans, Italiaans, Nederlands.
- Camera met nachtzicht.
- Reageert op geluid.
- Slaapliedjes, nachtlampje en temperatuurweergave.
- 2-weg audio: via monitor of via smartphone terug praten naar de camera.
- 5" / 12,7 cm touchscreen monitor.
- Panorama (links-rechts) + tilt (boven-beneden) + digitaal zoomen op afstand.
- iOS & Android app.
- Alarm wanneer de camera buiten bereik is.

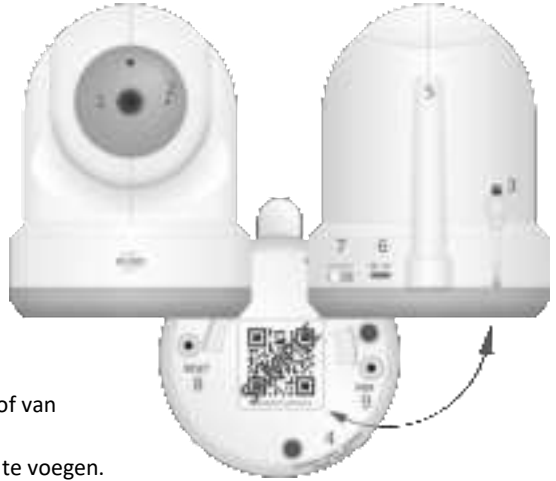
Inhoud verpakking

- 1 Draadloze camera.
- 2 Montagebeugel.
- 3 Draadloze monitor 5" / 12,7 cm (diagonaal).
- 4 Oplaadstation voor monitor.
- 5 Adapter (2 x).
- 6 Schroeven en pluggen.
- 7 Gebruiksaanwijzing.



Overzicht camera

- 1 IR-sensor & leds voor weergave in weinig tot geen lichtomstandigheden.
- 2 Microfoon.
- 3 Temperatuursensor, de gemeten omgevingstemperatuur wordt op de monitor weergegeven.
- 4 Luidspreker.
- 5 Antenne.
- 6 Aansluiting voor de stroomadapter.
- 7 Aan-/uitschakelaar.
- 8 Resetknop om de camera te resetten of van cameramodus te veranderen.
- 9 Koppelknop om een extra camera toe te voegen.



Overzicht monitor

- 1 Antenne, zendt en ontvangt signalen van of naar de camera.
- 2 Geluidsbalk: Geeft het geluidsniveau aan dat door de camera wordt gedetecteerd.
- 3 Aansluiting voor de stroomadapter.
- 4 5" / 12,7 cm TFT LCD scherm.
- 5 Microfoon.
- 6 Aan-/uitknop: houd deze knop ca. 4 seconden ingedrukt om de monitor aan/uit te zetten.
- 7 Luidspreker.
- 8 Tafelstandaard.
- 9 Lithiumbatterij. Verwijder plastic strip voor gebruik.



Monitor symbolen

- 1 Signaalindicator: toont de sterkte van het signaal dat van de camera wordt ontvangen.
- 2 Digitale klok: geeft de tijd weer die op de monitor ingesteld is.

- 3 Indicatie camera weergave.
- 4 Nachtlampje aan/uit.
- 5 Bij gebruik van de app op uw smartphone is dit symbool wit.
- 6 Zoommodus: geeft de zoomfactor aan, naar 1,5 x en 2 x.
- 7 Luidspreker van de monitor, wit dan staat de luidspreker uit, grijs is aan.
- 8 Batterijstatus:
 - Knipperend: de batterij is leeg.
 - 1 streepje: de batterij heeft nog een kwart lading.
 - 2 streepjes: de batterij heeft nog een halve lading.
 - 3 streepjes: de batterij is nog 3 kwart geladen.
 - 4 streepjes: de batterij is volledig geladen (de adapter is niet aangesloten).
 - 4 streepjes + bliksemschicht: de batterij is volledig geladen (adapter is aangesloten).
 - Pictogram bliksemschicht, de adapter is aangesloten.
- 9 Temperatuurweergave van de kamer waar de camera geplaatst is.
- 10 Timer met alarmsignaal voor voedingstijden.
- 11 Quad-modus : Druk op deze knop om over te schakelen naar de quad-modus. Wanneer twee camera's gekoppeld zijn, is er een gesplitste modus (twee displays). Als er meer dan twee camera's gekoppeld zijn, zijn er vier displays. Er kunnen maximaal 4 camera's worden gekoppeld.
- 12 Praten: Deze knop ingedrukt houden om te praten via de camera.



Aan de slag

- 1 De monitor moet voor gebruik volledig opgeladen worden via de adapter of het laadstation. De camera moet altijd met de adapter aangesloten zijn op een stopcontact.
- 2 Plaats de camera in de gewenste positie. U kunt de camera op een tafel/kast plaatsen of met behulp van de montagebeugel aan de muur bevestigen.
- 3 Houd de aan-/uitknop ongeveer 4-5 seconden ingedrukt om de monitor aan te schakelen.
- 4 Schuif de aan-/uitschakelaar in de ON positie om de camera in te schakelen.

De monitor en camera koppelen

De monitor en camera zijn reeds gekoppeld. Alleen als u een extra camera wilt gebruiken moet deze gekoppeld worden, handel als volgt:



- 1 Schakel de monitor aan.
- 2 Schakel de camera aan.
- 3 Raak het scherm aan en druk op de knop in de linkerbenedenhoek van de monitor.
- 4 Druk op het pictogram en selecteer het camerakanaal 2, 3 of 4 waarmee u de camera wilt koppelen.
- 5 Druk binnen de aftelperiode van 30 seconden op de [PAIR] knop (onderkant camera).
- 6 Als de monitor met succes de camera gekoppeld heeft zal hij automatisch overschakelen naar de weergave van deze camera.

Bedieningstoetsen

Door op een willekeurige positie op het scherm te tikken komen de bedieningstoetsen tevoorschijn.

- 1 Menupagina: hier kunnen monitor- en camera instellingen gemaakt worden.
- 2 Volume harder en zachter.
- 3 Zoommodus: geeft de zoomfactor aan, 1,5 keer of 2 keer zoomen.
- 4 Druk op het pictogram met de muzieknoten om 1 van de 3 slaapliedjes te activeren. Druk op het nummer of "All" (alle 3) om ze te laten horen in de kamer waar de camera staat.
- 5 Navigatiebediening om de camera op afstand te pannen (links/rechts) of te kantelen (boven/beneden).



Menupagina

- 1 Koppelen/pairen: Er kunnen 3 extra camera's gekoppeld worden.
- 2 VOX: Stel de gevoeligheid van de te detecteren geluidsniveaus in.
- 3 Hier kan de actuele tijd, datum en een timer ingesteld worden.
- 4 Taalinstelling voor de monitor, zes opties: Engels, Duits, Frans, Italiaans, Nederlands en Spaans.

- 5 U kunt de helderheid van elke individuele camera aanpassen.
- 6 Celsius of Fahrenheit instelling en de temperatuuralarmgrens voor de hoge en lage temperaturen.
- 7 Volumeregeling van elke individuele camera en het alarm.
- 8 Fabrieksinstelling, zet de monitor terug naar de fabrieksinstellingen.
- 9 Terug naar de vorige pagina.
- 10 Terug naar actuele beeldweergave (Live View).



Split screen en automatisch wisselen tussen camerabeelden

Als er 2 of meerdere camera's toegevoegd zijn aan de monitor is het mogelijk om de beelden te bekijken in split screen of zelfs in quad screen. Ook is het mogelijk om het beeld van de monitor om de 5 seconden te laten wisselen tussen de verschillende camera's.

Split- en quad screen

- 1 Voeg een extra camera toe zoals wordt beschreven in 'De monitor en camera koppelen'.
- 2 Druk linksonderin op het hoofdscherm om naar de split screen of quad screen te gaan.

In dit scherm is het mogelijk om alle beelden van de camera's te bekijken. Ook is het mogelijk om te wisselen tussen het geluid wat de camera's opnemen. Druk hiervoor rechtsboven in het scherm. Als u op één van de beelden drukt zal de monitor enkel het beeld van die camera laten zien.

Automatisch wisselen tussen camerabeelden

U kunt de camerabeelden automatisch laten wisselen door in het split of quad screen overzicht linksonder te drukken op de beelden met het vinkje erin. Het beeld dat de monitor laat zien zal vervolgens om de 5 seconden wisselen.

ELRO Babycam app

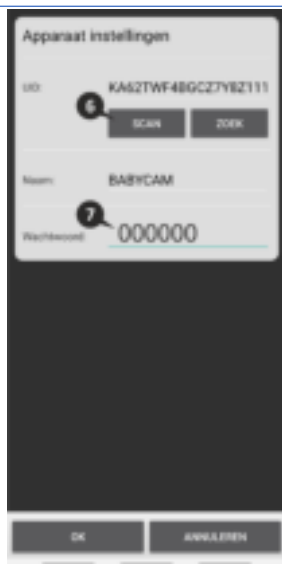
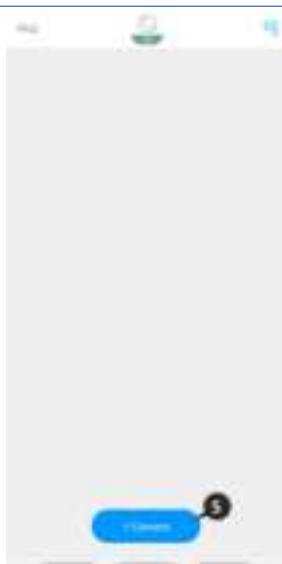
Ga naar de Google Play of Apple App Store om de ELRO Babycam app te downloaden en installeren op uw smartphone. Wij adviseren u de monitor uit te schakelen bij het installeren van de ELRO Babycam app. Om de camera te koppelen aan de ELRO Babycam app moet u eerst de adapter aansluiten en de schakelaar in de ON positie zetten. Het Wi-Fi signaal dat uitgezonden wordt door de camera moet vervolgens gekoppeld worden aan uw smartphone. U kunt de camera alleen koppelen met 2,4GHz Wi-Fi (5G Wi-Fi is niet mogelijk). Als u een Android-smartphone heeft, volg dan de stappen onder "Android-smartphone". Als u een iOS-smartphone heeft, volg dan de stappen onder "iOS-smartphone".

Android smartphone

- 1 Druk op de resetknop totdat het nachtlampje aan de onderzijde van de camera 3 x flitst.
- 2 Druk vervolgens 1 x kort op de resetknop, het nachtlampje gaat snel flitsen.
- 3 Na 10 seconden moet u nogmaals op de resetknop drukken, het lampje zal langzaam gaan flitsen.
- 4 Ga nu naar de Wi-Fi instellingen van uw smartphone en verbind het Wi-Fi signaal van de camera, eindigend op - - - - 111A met uw smartphone (Opmerking: Dit netwerk heeft geen toegang tot het internet, indien u gevraagd wordt om over te schakelen naar een ander netwerk dan kiest u voor annuleren).
- 5 Open de ELRO Babycam app en voeg de camera toe door op "+ Camera" te tikken.
- 6 Scan vervolgens de QR code, deze vindt u op de onderzijde van de camera.
- 7 Vul bij "Wachtwoord" 000000 en geef de camera een naam. Tik vervolgens op "OK".
- 8 De camera komt nu online en kan geopend worden. Er wordt u gevraagd om het onveilige wachtwoord 000000 te wijzigen. Druk op "OK".
- 9 Vul het oude en nieuwe wachtwoord in en druk op "OK". Het nieuwe wachtwoord moet minstens 6 tekens bevatten, een hoofdletter, een kleine letter, een cijfer en een speciaal teken (kies uit: ~`@#\$%^&*()_+|=|{}[].?!/).
- 10 Ga naar de instellingen van de camera.
- 11 Druk op "WiFi instellingen" om de Wi-Fi instelling van de camera te wijzigen naar uw eigen **2.4GHz** netwerk.
- 12 Selecteer bij SSID uw eigen netwerk (Home network).
- 13 Vul het hier het wachtwoord van uw eigen netwerk in en tik op "Verstuur". Door op het "oog" symbool aan de rechterkant te tikken kun u zien wat er u typt. Nadat u op "Verstuur" getikt hebt stopt de camera met uitzenden van zijn Wi-Fi signaal. Het nachtlampje aan de onderzijde van de camera stopt met langzaam flitsen en gaat vervolgens continu branden.
- 14 Vervolgens wordt u gevraagd om de app te sluiten. Open de app weer zodra het continu brandende licht stopt met branden en u 3 korte lichtflitsen heeft gezien.
- 15 Door in het beeld van links naar rechts of van boven naar beneden te swipen kunt u de camera richten in de gewenste positie (Pan/Tilt adjustment)

Opmerking

Mocht om een of andere reden het niet gelukt zijn om de camera aan uw smartphone te koppelen en vervolgens de app aan uw netwerk, begin dan opnieuw bij dit hoofdstuk. Maak de camera spanningsvrij door eerst de schakelaar in de OFF positie te zetten en vervolgens de adapter uit het stopcontact te nemen.





Alternatieve verbindingmethode Android

- 1 Druk op de resetknop totdat het nachtlampje aan de onderzijde van de camera 3 x flitst.
- 2 Druk vervolgens 1 x kort op de resetknop, het nachtlampje gaat snel flitsen.
- 3 Open de ELRO Babycam app en voeg de camera toe door op "+ Camera" te tikken.
- 4 Scan vervolgens de QR code, deze vindt u op de onderzijde van de camera.
- 5 Vul bij "Wachtwoord" 000000 en tik op "OK".

-
- 6 Ga naar de instellingen van de camera.
 - 7 Druk op smartlink en zorg ervoor dat de telefoon verbonden is met het **2.4GHz** netwerk.
 - 8 Vul het wachtwoord in en druk op 'Verstuur'
 - 9 Het licht zal nu constant branden, wacht totdat het licht uit is voordat u verder gaat.
 - 10 De camera komt nu online en kan geopend worden. Er wordt u gevraagd om het onveilige wachtwoord 000000 te wijzigen. Druk op "OK".
 - 11 Vul het oude en nieuwe wachtwoord in en druk op "OK". Het nieuwe wachtwoord moet minstens 6 tekens bevatten, een hoofdletter, een kleine letter, een cijfer en een speciaal teken (kies uit: ~`@#\$\$%^&*()_++=|{}[].?/).
 - 12 De camera is met succes toegevoegd aan de app!

iOS smartphone

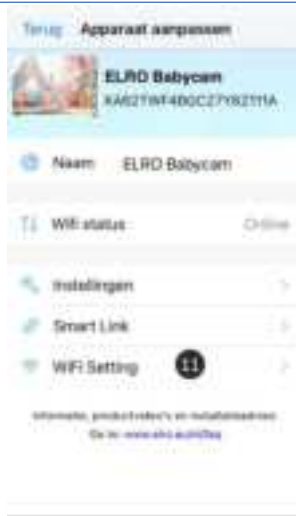
- 1 Druk op de resetknop totdat het nachtlampje aan de onderzijde van de camera 3 x flitst.
- 2 Druk vervolgens 1 x kort op de resetknop, het nachtlampje gaat snel flitsen. Na 10 seconden drukt u nogmaals op de resetknop en het lampje gaat langzaam flitsen.
- 3 Ga nu naar de Wi-Fi instellingen van uw smartphone en verbind het Wi-Fi signaal van de camera, eindigend op - - - - 111A, met uw smartphone (Opmerking: Dit netwerk heeft geen toegang tot het internet, indien u gevraagd wordt om over te schakelen naar een ander netwerk dan kiest u voor annuleren).
- 4 Open de ELRO Babycam app en druk op "+ toevoegen".
- 5 Selecteer "QR code" en scan vervolgens de QR code, deze vindt u op de onderzijde van de camera.
- 6 Vul een naam in voor uw camera en vul 000000 in bij "Wachtwoord" en druk op "Opslaan".
- 7 Er wordt u gevraagd om het onveilige wachtwoord 000000 te wijzigen. Druk op "OK".
- 8 Vul het oude en nieuwe wachtwoord in en druk op "OK". Het nieuwe wachtwoord moet minstens 6 tekens bevatten, een hoofdletter, een kleine letter, een cijfer en een speciaal teken (kies uit: ~`@#\$\$%^&*()_++=|{}[].?/).
- 9 De camera zal nu online komen en de live beelden kunnen bekeken worden.
- 10 Ga naar de instellingen van de camera.
- 11 Druk op "WiFi Setting"
- 12 Het SSID van uw WiFi zal automatisch worden ingevuld. Typ het wachtwoord van uw netwerk in. Door op het "oog" symbool aan de rechterkant te tikken kunt u zien wat u typt. Druk vervolgens op "Verstuur". Nadat u op "Verstuur" gedrukt heeft, moet de app gesloten worden. De camera stopt met het uitzenden van het Wi-Fi signaal. Het nachtlampje aan de onderzijde van de camera stopt met langzaam flitsen, gaat vervolgens continu branden waarna nog 3 korte flitsen volgen ter afsluiting.
- 13 De app kan nu weer opnieuw geopend worden.
- 14 Door in het beeld van links naar rechts of van boven naar beneden te swipen kunt u de camera richten in de gewenste positie (Pan/Tilt adjustment).

Opmerking

Mocht om een of andere reden het niet gelukt zijn om de camera aan uw smartphone te koppelen en vervolgens de app aan uw netwerk, begin dan opnieuw bij dit hoofdstuk. Maak de camera

spanningsvrij door eerst de schakelaar in de OFF positie te zetten en vervolgens de adapter uit het stopcontact te nemen.





Verbinden tweede telefoon

Als de camera verbonden is met het wifinetwerk is het gemakkelijk om deze toe te voegen aan andere telefoons door de volgende stappen te volgen:

- 1 Download de babyfoon app op het apparaat waarop je de babyfoon wilt toevoegen.
- 2 Op de app en druk op "+ Camera".

-
- 3 Vervolgens scan je de QR code.
 - 4 Vul een naam en het gekozen wachtwoord in voor de camera.
 - 5 De camera is nu toegevoegd.

Meldingen ontvangen

Om meldingen te ontvangen op de telefoon moet de VOX modus op de monitor voor de desbetreffende camera aanstaan. Ook moeten de meldingen aanstaan op uw telefoon en moeten alle machtigingen geaccepteerd zijn.

Wachtwoord vergeten

Als u uw wachtwoord bent vergeten, volg dan de onderstaande stappen:

- 1 Houd de resetknop aan de onderkant van de camera 1-2 seconden ingedrukt (waarschuwing: als u de resetknop langer dan 3 seconden ingedrukt houdt en de led begint te knipperen, moet u opnieuw beginnen bij hoofdstuk "ELRO Babycam app"). Het wachtwoord wordt teruggezet naar het standaard wachtwoord 000000.
- 2 Sluit de ELRO Babycam app en open deze opnieuw.
 - Voor iOS:
 - Klik in de Device List op de instellingenknop (i). Vervang de zwarte stippen door het standaard wachtwoord 000000 en klik op "Back".
 - Open de camera. U ontvangt een bericht dat het huidige wachtwoord onveilig is en moet worden gewijzigd. Druk op "OK".
 - Vul het standaard wachtwoord 000000 en uw nieuwe wachtwoord in. Uw nieuwe wachtwoord moet minstens 6 tekens bevatten, een hoofdletter, een kleine letter, een kleine letter, een cijfer en een speciaal teken (kies uit: ~`@#%*^*()_ - += | {} . ?).
 - Voor Android:
 - Vul het standaard wachtwoord 000000 in wanneer er een pop-up verschijnt en klik op "Confirm".
 - Open de camera. U wordt gevraagd om het standaard wachtwoord 000000 en uw nieuwe wachtwoord in te vullen. Uw nieuwe wachtwoord moet minstens 6 tekens bevatten, een hoofdletter, een kleine letter, een kleine letter, een cijfer en een speciaal teken (kies uit: ~`@#%*^*()_ - += | {} . ?).

Veelgestelde vragen (FAQ) en troubleshooting

Heeft u problemen met de installatie? Kijk dan op www.elro.eu/faq om snel antwoord te krijgen op uw vraag. Hier vindt u onder andere de meest recente versie van de handleiding, antwoorden op veelgestelde vragen (FAQ) en gedetailleerde installatievideo's.

Alsnog problemen ervaart met het verbinden van de babyfoon. Neem dan een kijkje naar onze troubleshooting:

- **Mijn camera is buiten bereik.**

- Zorg ervoor dat de antenne van de monitor is uitgeklaapt als u het systeem gebruikt. Dit zal resulteren in een verhoogd bereik van de babyfoon.
- **De camera wilt niet verbinden aan de app**
 - Voor de installatie van de app dient u te beschikken over een puur 2.4GHz wifisignaal. Dit houdt in dat u geen gebruik kunt maken van een gecombineerde wifiband die zowel 2.4GHz als 5GHz uitzendt. Voor de installatie moet het 5GHz signaal tijdelijke worden uitgeschakeld. Na de installatie kan het 5GHz signaal gewoon weer worden ingeschakeld.
 - Een andere mogelijkheid is om een apart 2.4GHz 'gastennetwerk' aan te maken.
 - Open de app pas weer opnieuw wanneer het licht van de camera uit is.
- **De wifi die de babyfoon uitzendt is niet zichtbaar op mijn telefoon.**
 - Als de wifinaam niet zichtbaar wordt in de wifilijst, kunt u gebruik maken van de alternatieve verbindmethode die eerder is uitgelegd.
- **Ik kan de camerabeelden niet bekijken als ik 4G gebruik.**
 - Maak gebruik van een apart 2.4GHz wifisignaal. Dit is meestal een 'kalere' verbinding en u zult zien dat het verbinden wel lukt op deze manier.

Technische specificaties

Systeem	
Frequentie	2.4 GHz (Wi-Fi) 2.4 GHz (FHSS)
Zendvermogen	17dBm (FHSS), 15+/-1dBm (Wi-Fi)
RX-gevoeligheid	- 88dBm (FHSS), - 89dBm (Wi-Fi)
Verspreiding	FHSS, Wi-Fi
Modulatie	GFSK, 502.11g/n GFSK, 802.11g/n
Datasnelheid	4Mbps (FHSS), Wi-Fi (802.11b/g/n), Wi-Fi (802.11b/g/n)
Draadloos bereik	300 m open bereik (camera tot monitor).
Camera	
Beeldsensor type	1/4" Colour CMOS Image Sensor
Effectieve pixel	1280 (H) x 1024 (V)
Beeldresolutie	Hoog max. 1.7 Mbps (10fps@1280 * 720) Laag max. 0.7 Mbps (10fps@854 * 480)
Lens	3.95 mm F2.2 F2.2
Kijkhoek (diagonaal)	55° (FOV)
IR LED / nachtzicht bereik	5m 940nm
Adapter	5V DC 1A
Werkings temperatuur	-10 ~ 40°C -10 ~ 40 ° C
Monitor	
Formaat LCD	5 "/12.7 cm touchscreen
Resolutie LCD	800 x 480
Adapter	5 V DC 1A
Werkings temperatuur	-10 ~ 40 °C/14 °F ~ 104 °F
Luchtvochtigheid	0% ~ 85%
Oplaadbare lithiumbatterij	3,8V / 2500mAh

Veiligheid en conformiteit

Waarschuwingen

- Verstikkingsgevaar: Aansluitsnoeren en kleine onderdelen buiten het bereik van kinderen houden.
- Plaats camera en aansluitsnoeren niet binnen een afstand van 1,5 meter van het wiegje/box.
- Gebruik nooit verlengkabels i.c.m. AC-adapters, alleen de meegeleverde AC-adapters gebruiken.
- Volwassen personen vereist bij montage/installatie.
- Dit product is niet bedoeld ter vervanging van goed toezicht op kinderen. U moet regelmatig de activiteiten van uw kind controleren, omdat dit product de ouders niet zal waarschuwen voor stille activiteiten van een kind.
- Lees en volg alle instructies/waarschuwingen op in deze gebruiksaanwijzing alvorens dit product te gebruiken.
- Dit product is niet waterbestendig en is enkel geschikt voor gebruik binnenshuis. Reinig het product alleen met een droge doek.
- Dit product is niet bedoeld voor gebruik als medische monitor en het gebruik ervan mag het toezicht door volwassenen niet vervangen.
- De camera detecteert normale geluidsniveaus binnen een bereik van 2 tot 3 meter van een kind. Als het kind zich buiten dit bereik beweegt, is de camera mogelijk niet in staat is om geluiden van hem of haar te detecteren.
- Het is van essentieel belang dat u de werking bij de eerste installatie en daarna regelmatig controleert.
- Controleer de ontvangst regelmatig. Test de monitor voor gebruik en na het veranderen van de locatie van de camera.
- De behuizing van camera en monitor mag niet geopend worden.
- Om oververhitting te voorkomen, dient u het product en de wisselstroomadapters uit de buurt te houden van direct zonlicht en warmtebronnen zoals radiatoren, kachels, kooktoestellen (bijv. fornuizen en ovens) en andere apparaten die warmte produceren (bijv. versterkers, televisies en stereo's).
- Zorg voor een goede ventilatie van het product tijdens het gebruik. Vermijd contact met kussens en meubels die de ventilatie kunnen blokkeren.
- Gebruik alleen de wisselstroomadapters die bij het product zijn geleverd, aangezien andere adapters het product kunnen beschadigen.
- Sluit de adapters alleen aan op de standaard huishoudelijke stroom (100~240 volt AC).
- Plaats de wisselstroomadapters en vermijd knelpunten om beschadigingen te voorkomen.
- Raak het blootgestelde uiteinde van het netsnoer van de netadapter niet aan als deze aangesloten is op het stopcontact.
- Beelden en geluiden worden door het product via de openbare ether overgedragen en kunnen door andere apparaten worden opgepikt.

-
- Hoewel de zendafstand 100 m of meer is (open ruimte), kan deze variëren, afhankelijk van aanwezige obstakels tussen camera en monitor.
 - Let op: als u het systeem gebruikt om naar een jong kind te kijken, plaats de camera dan niet op een plaats waar het kind bij de camera kan komen.
 - Als de monitor alleen met de batterij gebruikt wordt en deze is bijna leeg, dan kan dit het beeld en/of geluid beïnvloeden. Sluit de wisselstroomadapter aan, de batterij wordt dan automatisch geladen.
 - Het zendbereik van het draadloze signaal kan zwakker worden als er zware obstakels zoals een betonnen, gemetselde of metalen muur tussen de camera en de monitor zitten, of als er verschillende Wi-Fi-routers en apparaten in uw omgeving zijn.
 - Om interferentie met het RF-signaal te voorkomen, houdt u uw mobiele telefoon op een afstand van ten minste 1 meter van de camera en de monitor.
 - Explosiegevaar bij vervanging van de batterij door een verkeerd type.
 - Gooi gebruikte batterijen weg volgens de instructies.

Vereenvoudigde EU-conformiteitsverklaring

Hierbij verklaar ik, ELRO Europe, dat het type radioapparatuur BC3000 Baby monitor Royale conform is met Richtlijn 2014/53/EU. De volledige tekst van de EU-conformiteitsverklaring kan worden geraadpleegd op het volgende internetadres: www.elro.eu/doc.

Symbolen



Het WEEE-symbool betekent dat dit product en de batterijen gescheiden van huishoudelijk afval moeten worden afgevoerd. Als dit product het einde van zijn levensduur bereikt, breng je het naar een aangewezen afvalinzamelpunt in de buurt om een veilige afvoer of recycling te garanderen. Bescherm milieu en volksgezondheid en ga verantwoordelijk met natuurlijke hulpbronnen om!



Door het aanbrengen van de CE-markering op een product verklaart een fabrikant dat het product voldoet aan alle wettelijke eisen voor CE-markering en in de hele EER kan worden verkocht.



Bezoek www.elro.eu voor de garantievooraarden van dit product.

Service en contact

Om er voor te zorgen dat we onze klanten zo goed en snel mogelijk van dienst kunnen zijn, vragen we u om rekening te houden met het volgende:

Voor vragen over de installatie, het gebruik of de werking van dit product:

- Ga naar www.elro.eu/fag om snel antwoord te krijgen op uw vraag. Hier vindt u onder andere antwoorden op veelgestelde vragen, gedetailleerde installatievideo's en de meest recente versie van de handleiding van dit product.

-
- Komt u er niet uit via de website? Laat dan een vraag achter via de productpagina of mail naar info@elro.eu. Wij helpen u zo snel mogelijk verder.

Voor alle overige vragen:

- Mail naar info@elro.eu. Wij komen zo spoedig mogelijk bij u terug.

Dit product is geproduceerd door:

ELRO Europe

Postbus 9607 - Box E800

1006 GC Amsterdam

Nederland

www.elro.eu

Caractéristiques	- 54 -
Qu'y a-t-il dans la boîte	- 54 -
Caméra d'aperçu	- 55 -
Moniteur d'aperçu	- 55 -
Symboles du moniteur	- 56 -
Prise en main	- 56 -
Connexion du moniteur et de la caméra.....	- 57 -
Boutons de commande	- 57 -
Page du menu	- 58 -
Écran partagé et commutation automatique des vues en direct.....	- 58 -
Écran partagé et quadruple	- 58 -
Changement automatique des vues en direct	- 58 -
ELRO Babycam app	- 59 -
Smartphone Android.....	- 59 -
Méthode alternative Android	- 61 -
Smartphone iOS	- 62 -
Connexion avec un deuxième smartphone.....	- 65 -
Réception des notifications.....	- 65 -
Mot de passe oublié.....	- 65 -
Foire aux questions (FAQ) et le dépannage	- 66 -
Caractéristiques techniques.....	- 66 -
Sécurité et conformité	- 67 -
Service et contact.....	- 69 -

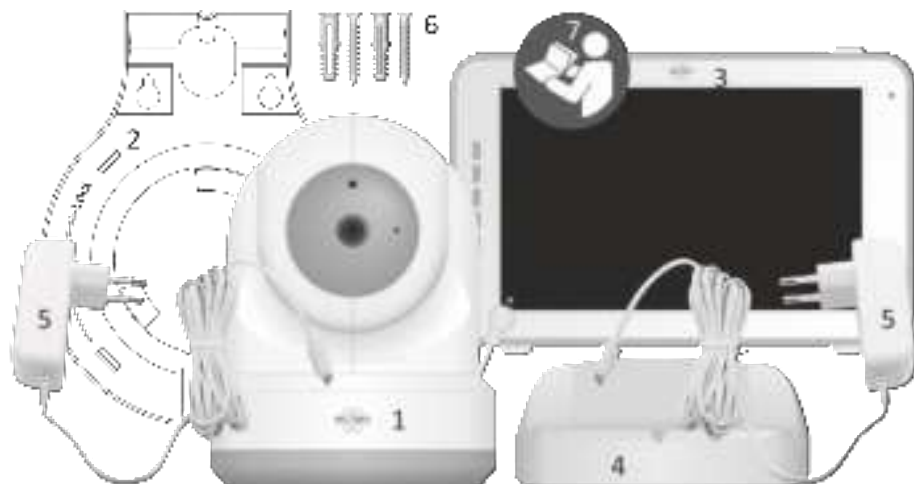
Rendez-vous sur www.elro.eu pour télécharger la dernière version de ce mode d'emploi !

Caractéristiques

- 2,4 GHz FHSS + Wi-Fi dual mode-technologie.
- Possibilité d'extension à 4 caméras, écran simple (1), split (2) ou quad (4).
- Choix de la langue : anglais, allemand, français, espagnol, italien, néerlandais.
- Caméra de sécurité à vision nocturne.
- Réagit au son.
- Berceuses, veilleuse et affichage de la température.
- Son bidirectionnel ; communiquez avec la caméra par le biais d'un moniteur ou d'un smartphone.
- Ecran tactile 5" / 12,7 cm.
- Affichage panoramique (gauche-droite) + inclinaison (haut-bas) + zoom numérique à distance.
- iOS et Android app.
- Alarme lorsque l'appareil photo est hors de portée.

Qu'y a-t-il dans la boîte

- 1 Caméra sans fil.
- 2 Support de montage.
- 3 Moniteur sans fil 5" / 12,7 cm (diagonale).
- 4 Moniteur de la station de charge.
- 5 Adaptateur (2 x).
- 6 Vis et chevilles.
- 7 Mode d'emploi.



Caméra d'aperçu

- 1 Capteur IR et LED pour l'affichage dans des conditions d'éclairage médiocres ou inexistantes.
- 2 Microphone.
- 3 Capteur de température, la température ambiante mesurée est affichée sur l'écran.
- 4 Haut-parleur.
- 5 Antenne.
- 6 Raccordement pour appareil Adaptateur de courant.
- 7 Interrupteur marche/arrêt.
- 8 Bouton de réinitialisation pour réinitialiser la caméra ou pour le redémarrer mode caméra.
- 9 Touche de jumelage, pour ajouter une caméra supplémentaire.



Moniteur d'aperçu

- 1 Antenne, émettre et recevoir des signaux en provenance ou à destination de la caméra.
- 2 Bande sonore, indique le niveau sonore détecté par la caméra.
- 3 Raccordement de l'adaptateur secteur.
- 4 Écran LCD TFT 4,5" / 12,7 cm.
- 5 Microphone.
- 6 Marche/Arrêt, appuyez sur cette touche et maintenez-la enfoncée pendant environ 4 secondes pour allumer/éteindre le moniteur.
- 7 Haut-parleur.
- 8 Support de table.
- 9 Pile au lithium, enlevez la bande de plastique pour l'utilisation.



Symboles du moniteur

- 1 Indicateur de signal, indique l'intensité du signal reçu de la caméra.
- 2 Horloge numérique, affiche l'heure réglée sur le moniteur.
- 3 Indication de l'affichage de caméra.
- 4 Allumer et éteindre la veilleuse.
- 5 Lors de l'utilisation sur votre smartphone, ce symbole est blanc.
- 6 Mode Zoom, indique la capacité de zoom, à 1,5 x et 2 x.
- 7 Haut-parleur du moniteur, le blanc indique que le haut-parleur est éteint, le gris est allumé.
- 8 État de la batterie:
 - Clignotant : la batterie est presque à plat.
 - 1 bande : la batterie a encore un quart de charge.
 - 2 bandes : la batterie a encore une demi-charge.
 - 3 bandes : la batterie est encore chargée aux 3/4.
 - 4 bandes : la batterie est complètement chargée (l'adaptateur n'est pas connecté).
 - 4 bandes + foudre : la batterie est complètement chargée (l'adaptateur est connecté).
 - L'icône du flash clignotant : l'adaptateur est branché.
- 9 Affichage de la température de la pièce où la caméra est placée.
- 10 Minuterie avec signal d'alarme pour les temps d'alimentation.
- 11 Écran quadruple : appuyez sur ce bouton pour passer en écran quadruple. Lorsque deux caméras sont reliées, l'écran est divisé en deux (split screen). Si plus de deux caméras sont couplées, quatre écrans différents sont affichés. Il est possible de coupler jusqu'à 4 caméras au maximum.
- 12 Maintenez ce bouton enfoncé pour parler à travers la caméra.



Prise en main

- 1 Le moniteur doit être complètement rechargé via l'adaptateur ou le chargeur avant utilisation. La caméra doit toujours être branchée sur une prise de courant à l'aide de l'adaptateur.
- 2 Placez la caméra dans la position souhaitée. Vous pouvez placer la caméra sur une table/boîte ou la fixer au mur à l'aide du support de fixation.
- 3 Appuyez sur le bouton d'alimentation et maintenez-le enfoncé pendant environ 4 à 5 secondes pour allumer le moniteur.
- 4 Faites glisser l'interrupteur d'alimentation sur la position ON pour mettre l'appareil sous tension.

Connexion du moniteur et de la caméra

Le moniteur et la caméra sont déjà connectés. Uniquement si vous souhaitez utiliser une caméra supplémentaire, elle doit être appairée, procédez comme suit :



- 1 Allumez le moniteur.
- 2 Allumez la caméra.
- 3 Touchez l'écran et appuyez sur le bouton dans le coin inférieur gauche du moniteur.
- 4 Appuyez sur l'icône et sélectionnez la voie 2, 3 ou 4 de l'appareil photo que vous souhaitez utiliser pour le mode de fonctionnement l'appareil photo que vous voulez utiliser.
- 5 Appuyez sur le bouton[PAIR] (en bas de l'appareil photo) pendant le compte à rebours de 30 secondes.
- 6 Une fois que le moniteur a réussi à appairer la caméra, il passe automatiquement à l'affichage de cette dernière.

Boutons de commande

En tapant sur l'écran à n'importe quelle position, les boutons de commande apparaissent.

- 1 La page de menu, l'écran et les réglages de l'appareil photo peuvent être effectués ici.
- 2 Volume plus fort et bas.
- 3 Mode zoom, indique le niveau de zoom, 1,5 fois ou 2 fois le zoom.
- 4 Appuyez sur l'icône de note de musique pour activer l'une des 3 berceuses. Appuyez sur la chanson ou "All" (tous les 3) pour les écouter dans la pièce où se trouve l'appareil.
- 5 Commande de navigation pour le panoramique à distance de la caméra (gauche/droite) ou pour Inclinaison (haut/bas).



Page du menu

- 1 En cas de jumelage, caméras supplémentaires peuvent être connectées.
- 2 VOX : régler la sensibilité des niveaux sonores à détecter.
- 3 Vous pouvez régler ici l'heure, la date et la minuterie actuelles.
- 4 Réglage de la langue du moniteur, six options : Anglais, Allemand, Français, Italien, Italien, Néerlandais et Espagnol.
- 5 Vous pouvez régler la luminosité de chaque caméra.
- 6 Réglage de la température en degrés Celsius ou Fahrenheit et la limite d'alarme de température pour les hautes et basses températures.
- 7 Disposition de chaque caméra individuelle et de l'alarme.
- 8 Réinitialisez le moniteur aux réglages par défaut.
- 9 Retour à la page précédente.
- 10 Revenez à l'écran d'affichage des photos actuel (affichage en direct)



Écran partagé et commutation automatique des vues en direct

Si deux ou plusieurs caméras sont ajoutées au moniteur, il est possible de visualiser les images en direct en écran partagé ou même en écran quadruple. Il est également possible de laisser le moniteur basculer entre les vues en direct des différentes caméras toutes les 5 secondes.

Écran partagé et quadruple

- 1 Ajoutez une caméra supplémentaire comme décrit dans la section "Connexion du moniteur et de la caméra".
- 2 Appuyez en bas à gauche de l'écran d'accueil pour visualiser vos caméras en écran partagé ou quadruple.

Dans cet écran, il est possible de voir toutes les vues en direct des caméras. Il est également possible de basculer entre les sons enregistrés par les caméras. Pour ce faire, appuyez en haut à droite de l'écran. Si vous appuyez sur l'une des vues en direct, le moniteur n'affichera que la vue en direct de cette caméra.

Changement automatique des vues en direct

It is possible to change to live views of the cameras automatically by clicking on the icon with the check mark bottom left in the split or quad screen overview. The live view shown on the monitor will then change every 5 seconds.

ELRO Babycam app

Rendez-vous sur Google Play ou Apple App Store pour télécharger et installer ELRO Babycam app sur votre smartphone. Nous vous recommandons d'éteindre le moniteur lors de l'installation de l'application ELRO Babycam. Pour connecter la caméra à votre smartphone, vous devez d'abord connecter l'adaptateur et mettre l'interrupteur en position ON. Le signal Wi-Fi émis par la caméra doit ensuite être connecté à votre smartphone. Vous ne pouvez connecter la caméra qu'avec le Wi-Fi 2,4 GHz (le Wi-Fi 5G n'est pas possible). Si vous possédez un smartphone Android, suivez les étapes sous "smartphone Android. Si vous possédez un smartphone iOS, suivez les étapes sous "iOS smartphone".

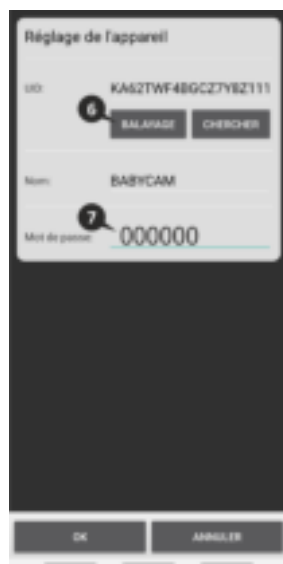
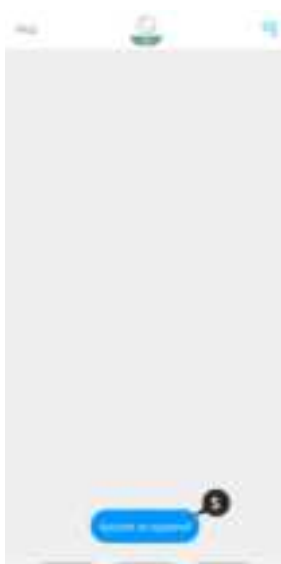
Smartphone Android

- 1 Appuyez sur la touche de réinitialisation jusqu'à ce que la veilleuse sous la caméra clignote 3 fois.
- 2 Appuyez ensuite brièvement une fois sur la touche de réinitialisation, la veilleuse clignote rapidement.
- 3 Après 10 secondes, appuyez brièvement une fois sur le bouton de réinitialisation, la veilleuse clignote lentement.
- 4 Maintenant, accédez au réglage Wi-Fi de votre smartphone et connectez le signal Wi-Fi de la caméra, se terminant par - - - - 111A, à votre smartphone (Remarque : Ce réseau n'a pas accès à Internet, si on vous demande de passer à un autre réseau, vous choisissez d'annuler).
- 5 Ouvrez l'application ELRO Babycam et ajoutez la caméra en touchant "Ajouter un appareil".
- 6 Ensuite, scannez le code QR, qui se trouve sous la caméra.
- 7 Dans "Mot de passe", entrez 6 x 0 (000000) et appuyez sur "OK".
- 8 La caméra s'allume et appuyez sur, reportez-vous à 8 PrtScr. Vous serez invité à modifier le mot de passe non sécurisé 6 x 0 (000000).
- 9 Confirmez le nouveau mot de passe en appuyant sur "OK". Votre nouveau mot de passe doit contenir au moins 6 caractères, une lettre majuscule, une lettre minuscule, un chiffre et un caractère spécial (au choix : ~`@##\$%^*()_+={}|[].?!/).
- 10 Accédez aux réglages de la caméra.
- 11 Appuyez sur cette touche pour modifier le réglage Wi-Fi de la caméra. sur votre réseau local.
- 12 Avec SSID, sélectionnez votre propre réseau (réseau local).
- 13 Entrez ici le mot de passe de votre propre réseau et appuyez sur "ENVOYER". En appuyant sur l'icône "œil" sur le côté droit, vous pouvez voir ce que vous tapez. Après avoir appuyé sur "ENVOYER", la caméra cesse de transmettre son signal Wi-Fi. La veilleuse sur le dessous de l'appareil cesse de clignoter lentement, puis s'allume en continu, suivie de 3 clignotements courts pour terminer le flash.
- 14 Vous serez alors invité à fermer l'application et à la rouvrir.
- 15 En déplaçant l'image de gauche à droite ou de haut en bas, vous pouvez orienter la caméra dans la position souhaitée (réglage Pan/Tilt).

Remarque

Si, pour une raison quelconque, vous n'avez pas réussi à connecter la caméra à votre smartphone, puis à connecter l'application à votre réseau, recommencez au ce chapitre. Débranchez l'appareil

photo de l'alimentation électrique en mettant d'abord l'interrupteur en position OFF, puis en débranchant l'adaptateur de la prise murale.





Méthode alternative Android

- 1 Appuyez sur la touche de réinitialisation jusqu'à ce que la veilleuse sous la caméra clignote 3 fois.
- 2 Appuyez ensuite brièvement une fois sur la touche de réinitialisation, la veilleuse clignote rapidement.
- 3 Ouvrez l'application ELRO Babycam et ajoutez la caméra en touchant "Ajouter un appareil".

-
- 4 Ensuite, scannez le code QR, qui se trouve sous la caméra.
 - 5 Dans "Mot de passe", entrez 6 x 0 (000000) et appuyez sur "OK".
 - 6 Allez dans les réglages de l'appareil photo.
 - 7 Appuyez sur smartlink et assurez-vous que votre smartphone est connecté à votre signal wifi 2,4GHz.
 - 8 Remplissez le mot de passe de votre wifi et appuyez sur "Envoyer".
 - 9 La lumière de l'appareil photo s'allume, attendez que la lumière s'éteigne avant de faire quoi que ce soit.
 - 10 La caméra s'allume et appuyez sur, reportez-vous à 8 PrtScr. Vous serez invité à modifier le mot de passe non sécurisé 6 x 0 (000000).
 - 11 Confirmez le nouveau mot de passe en appuyant sur "OK". Votre nouveau mot de passe doit contenir au moins 6 caractères, une lettre majuscule, une lettre minuscule, un chiffre et un caractère spécial (au choix : ~`@##\$%^*()_-=+|{}[].?/).
 - 12 L'appareil photo est ajouté avec succès à l'application!

Smartphone iOS

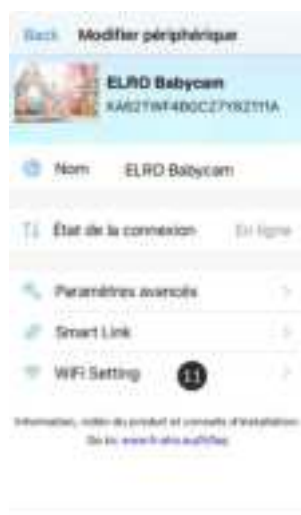
- 1 Appuyez sur le bouton de réinitialisation pendant environ 5 secondes, jusqu'à ce que la veilleuse en bas de l'appareil clignote rapidement.
- 2 Ensuite, appuyez brièvement sur le bouton de réinitialisation 1 fois, la veilleuse clignote rapidement. Après 10 secondes, appuyez brièvement sur le bouton de réinitialisation une fois de plus, la veilleuse commencera à clignoter lentement.
- 3 Allez maintenant dans les paramètres Wi-Fi de votre smartphone et connectez-vous au signal Wi-Fi de l'appareil photo, se terminant sur - - - - 111A avec votre smartphone (Commentaire : Ce réseau n'a pas accès à l'internet. Si on vous demande de passer à un autre réseau, choisissez d'annuler).
- 4 Ouvrez l'application ELRO Babycam et appuyez sur "+ Ajouter".
- 5 Sélectionnez "QR Code" et scannez le code CQ, que vous trouverez sous la caméra.
- 6 Remplissez un nom pour votre appareil photo, entrez 000000 dans le mot de passe et sélectionnez "Enregistrer".
- 7 Il vous sera demandé de changer le mot de passe dangereux 000000, appuyez sur "OK".
- 8 Remplissez l'ancien mot de passe, créez un nouveau mot de passe et appuyez sur "OK". Le nouveau mot de passe doit contenir au moins 6 caractères, une lettre majuscule, une lettre minuscule, un chiffre et un caractère spécial (choisissez parmi : ~`@##\$%^*()_-=+|{}[].?/).
- 9 La caméra sera désormais en ligne et il sera possible de la visionner en direct.
- 10 Aller aux réglages de la caméra
- 11 Appuyez sur 'WiFi Setting'.
- 12 Votre SSID WiFi sera rempli automatiquement. Entrez votre mot de passe WiFi. En sélectionnant le symbole "œil" sur le côté droit, vous pourrez voir ce que vous tapez. Ensuite, sélectionnez "Send". Après avoir sélectionné "Send", il vous sera demandé de fermer l'application. L'appareil photo cessera de transmettre le signal Wi-Fi. La veilleuse située au bas de l'appareil photo cessera de clignoter lentement, puis s'allumera en continu et clignotera 3 fois.
- 13 Vous pouvez maintenant rouvrir l'application.

- 14 En déplaçant l'image de gauche à droite ou de haut en bas, vous pouvez orienter la caméra dans la position souhaitée (réglage Pan/Tilt).

Remarque

Si, pour une raison quelconque, vous n'avez pas pu connecter la caméra à votre smartphone, puis connecter l'application à votre réseau, veuillez recommencer au ce chapitre. Débranchez l'appareil photo de l'alimentation électrique en mettant d'abord l'interrupteur en position OFF, puis en débranchant l'adaptateur de la prise murale.







Connexion avec un deuxième smartphone

Si l'appareil photo est connecté au réseau WiFi, il est facile d'ajouter l'appareil photo sur d'autres téléphones en suivant ces étapes :

- 1 Téléchargez l'application sur le téléphone sur lequel l'appareil photo sera ajouté.
- 2 Ouvrez l'application et appuyez sur "Ajouter un appareil".
- 3 Scanner le code QR.
- 4 Remplissez un nom et le mot de passe que vous avez indiqué précédemment.
- 5 De camera est ajouté avec succès.

Réception des notifications

Afin de recevoir des notifications par téléphone, le mode VOX doit être activé sur le moniteur de la caméra en question. Les notifications doivent également être activées dans les paramètres de votre téléphone et toutes les autorisations doivent être validées.

Mot de passe oublié

Si vous avez oublié votre mot de passe, veuillez suivre les étapes ci-dessous :

- 1 Appuyez et maintenez enfoncé le bouton de réinitialisation en bas de l'appareil pendant 1 à 2 secondes (attention : si vous appuyez sur le bouton de réinitialisation pendant plus de 3 secondes et que le voyant commence à clignoter, vous devez recommencer au chapitre "ELRO Babycam app"). Le mot de passe sera réinitialisé au mot de passe par défaut 000000.
- 2 Fermez l'application ELRO Babycam et ouvrez-la à nouveau.
 - Pour iOS :
 - Cliquez dans la Device List sur le bouton settings (i). Remplacez les points noirs par le mot de passe par défaut 000000 et cliquez sur "Back".

- Ouvrez l'appareil photo. Vous recevrez un message indiquant que le mot de passe actuel n'est pas sûr et qu'il doit être modifié. Appuyez sur ok.
- Entrez le mot de passe par défaut 000000 et votre nouveau mot de passe. Votre nouveau mot de passe doit contenir au moins 6 caractères, une lettre majuscule, une lettre minuscule, un chiffre et un caractère spécial (au choix : ~`@##\$%^*()_ - += |{}[].?!/).
- **Pour Android :**
 - Saisissez le mot de passe par défaut 000000 lorsqu'une notification apparaît et cliquez sur confirmer.
 - Ouvrez l'appareil photo. Il vous sera demandé de saisir le mot de passe par défaut 000000 et votre nouveau mot de passe. Votre nouveau mot de passe doit contenir au moins 6 caractères, une lettre majuscule, une lettre minuscule, un chiffre et un caractère spécial (au choix : ~`@##\$%^*()_ - += |{}[].?!/).

Foire aux questions (FAQ) et le dépannage

Avez-vous des problèmes avec l'installation de cet appareil ? Veuillez visiter www.elro.eu/faq pour obtenir une réponse rapide à votre question. Vous trouverez ici la dernière version du manuel d'instructions, les réponses aux questions fréquemment posées (FAQ) et des vidéos d'installation détaillées.

- **Ma caméra est hors de portée.**
 - Assurez-vous que l'antenne du moniteur est entièrement déployée lorsque vous utilisez le système. Cela permettra d'obtenir une portée optimale de l'interphone bébé.
- **Je n'arrive pas à connecter l'appareil photo avec mon smartphone.**
 - For the installation of the app you need to have a pure 2.4GHz wifi signal. This means that you cannot use a combined wifi signal that transmits both 2.4GHz and 5GHz. Before the installation, the 5GHz signal must be temporarily switched off. After the installation, the 5GHz signal can simply be switched back on again.
 - Another possibility is to create a separate 2.4GHz 'guest network'.
 - Do not open the app again until the camera light is off.
- **Je ne vois pas le wifi que la caméra envoie sur mon téléphone.**
 - Si le nom wifi n'apparaît pas dans la liste wifi, vous pouvez utiliser la méthode de connexion alternative expliquée précédemment.
- **I can't watch the camera's live view when using 4G.**
 - Utiliser un signal wifi 2,4GHz séparé. Il s'agit généralement d'une connexion "plus calme".

Caractéristiques techniques

Système	
Fréquence	2.4 GHz (Wi-Fi) 2.4 GHz (FHSS)
Puissance d'émission	17dBm (FHSS), 15+/-1dBm (Wi-Fi)
Sensibilité RX	- 88dBm (FHSS), - 89dBm (Wi-Fi)

Répartition	FHSS, Wi-Fi
Modulation	GFSK, 502.11g/n GFSK, 802.11g/n
Débit de données	4Mbps (FHSS), Wi-Fi (802.11b/g/n), Wi-Fi (802.11b/g/n)
Portée sans fil	300 m de portée en champ libre (caméra vers moniteur)
Caméra	
Type de capteur d'image	1/4" Colour CMOS Image Sensor
Pixel effectif	1280 (H) x 1024 (V)
Résolution de l'image	Haute max. 1.7 Mbps (10fps@1280 * 720) Faible max. 0.7 Mbps (10fps@854 * 480)
Objectif	3.95 mm F2.2 F2.2
Angle de vision (diagonale)	55° (FOV)
LED IR / portée de vision nocturne	5m 940nm
Adaptateur	5V DC 1A
Température de fonctionnement	-10 ~ 40°C -10 ~ 40 ° C
Moniteur	
Taille de l'écran LCD	5 "/12.7 cm touchscreen
Résolution LCD	800 x 480
Adaptateur	5 V DC 1A
Température de fonctionnement	-10 ~ 40 °C/14 °F ~ 104 °F
Humidité	0% ~ 85%
Batterie lithium rechargeable	3,8V / 2500mAh

Sécurité et conformité

Avertissements

- Risque d'étouffement ; garder les câbles de raccordement et petites pièces hors de portée des enfants.
- Ne placez pas la caméra ou les câbles de connexion à moins de 1,5 mètre (3 pieds) de la caméra berceau/boîte.
- N'utilisez jamais de rallonges en combinaison avec des adaptateurs secteur, utilisez uniquement les adaptateurs secteur fournis.
- Le montage et l'installation nécessitent la présence d'un adulte.
- Ce produit n'est pas destiné à remplacer une surveillance adéquate des enfants. Vous devriez surveiller régulièrement les activités de votre enfant, car ce produit n'est pas nocif pour les parents mise en garde sur les activités silencieuses d'un enfant.
- Lisez et suivez toutes les instructions/avertissements de ce manuel avant d'utiliser ce produit.
- N'utilisez pas la caméra ou le moniteur près de l'eau ou de la baignoire, sous-sol/chambres humides, etc.
- Ce produit est destiné à un usage intérieur uniquement.
- Ce produit n'est pas destiné à être utilisé comme moniteur médical et son utilisation ne doit pas remplacer la surveillance d'un adulte.

-
- La caméra détecte les niveaux sonores normaux dans un rayon de 2 à 3 mètres d'un enfant. Si l'enfant sort de cette plage, il se peut que la caméra soit pas en mesure de détecter les sons qu'il émet.
 - Il est essentiel de vérifier le fonctionnement lors de la première installation et régulièrement par la suite.
 - Vérifiez régulièrement la réception. Testez le moniteur avant de l'utiliser et après avoir changé l'emplacement de la caméra.
 - Le boîtier de la caméra et du moniteur ne doit pas être ouvert.
 - Pour éviter toute surchauffe, tenir le produit et les adaptateurs secteur à l'écart de la lumière directe du soleil et des sources de chaleur telles que les radiateurs, les poêles, les cuisinières (p. ex. poêles et fours) et autres appareils produisant de la chaleur (p. ex. amplificateurs, télévisions et stéréos).
 - Assurez-vous que le produit est bien ventilé pendant son utilisation. Éviter tout contact avec les coussins et les meubles qui pourraient bloquer la ventilation.
 - N'utilisez que les adaptateurs secteur fournis avec l'appareil, car d'autres adaptateurs pourraient endommager l'appareil.
 - Raccordez les adaptateurs uniquement à l'alimentation électrique standard de la maison (100~240 volts CA).
 - Installez les adaptateurs secteur et évitez les points de pincement pour éviter tout dommage.
 - Ne touchez pas l'extrémité exposée du cordon d'alimentation CA de l'adaptateur CA lorsqu'il est branché dans une prise murale.
 - Les images et les sons sont transmis par le produit via l'éther public et peuvent être captés par d'autres appareils.
 - Bien que la distance de transmission soit de 100 m ou plus (espace libre), elle peut varier en fonction des obstacles entre la caméra et le moniteur.
 - Attention, si vous utilisez le système pour surveiller un jeune enfant, ne placez pas la caméra à un endroit où l'enfant peut atteindre l'appareil.
 - Si le moniteur n'est utilisé qu'avec la batterie et que celle-ci est faible, l'image et/ou le son peuvent être affectés. Connectez l'adaptateur secteur, la batterie se charge automatiquement.
 - La portée du signal sans fil peut s'affaiblir s'il y a de gros obstacles tels qu'un mur en béton, en maçonnerie ou en métal entre la caméra et le moniteur, ou s'il y a plusieurs routeurs et appareils Wi-Fi dans votre région.
 - Pour éviter toute interférence avec le signal RF, gardez votre téléphone mobile à au moins 1 mètre de la caméra et de son moniteur.
 - Risque d'explosion si la batterie est remplacée par un mauvais type de batterie.
 - Débarrassez-vous des piles usagées conformément aux instructions.

Déclaration UE de Conformité Simplifiée

Le soussigné, ELRO Europe, déclare que l'équipement radioélectrique du type BC3000 Baby Monitor Royale est conforme à la directive 2014/53/UE. Le texte complet de la déclaration UE de conformité est disponible à l'adresse internet suivante: www.elro.eu/doc.

Symboles



Recyclage et élimination : Le symbole DEEE (a) signifie que ce produit et les piles doivent être éliminés séparément des déchets ménagers. Lorsque ce produit atteint la fin de sa durée de vie utile, amenez-le à un point de collecte des déchets désigné à proximité afin d'assurer son élimination ou son recyclage en toute sécurité. Protéger l'environnement et la santé publique, faire preuve de responsabilité dans la gestion des ressources naturelles !



En apposant le marquage CE sur un produit, un fabricant déclare que le produit est conforme à toutes les exigences légales du marquage CE et peut être vendu dans l'EEE.



Veillez consulter le site www.elro.eu pour connaître les conditions de garantie de ce produit.

Service et contact

Afin d'assurer à nos clients le meilleur service possible dans les meilleurs délais, nous vous demandons de prendre en compte les éléments suivants :

Pour toute question concernant l'installation, l'utilisation ou le fonctionnement de ce produit :

- Rendez-vous sur www.elro.eu/faq pour obtenir une réponse rapide à votre question. Vous trouverez ici les réponses aux questions les plus fréquemment posées, des vidéos d'installation détaillées et la dernière version du manuel pour ce produit.
- Vous ne trouvez pas de solution via le site web ? Veuillez laisser une question via la page produit ou envoyer un mail à info@elro.eu. Nous vous aiderons dès que possible.

Pour toutes les autres questions :

- Mail à info@elro.eu. Nous vous répondrons dans les plus brefs délais.

Ce produit a été produit par :

ELRO Europe

Postbus 9607 - Box E800
1006 GC Amsterdam
Pays-Bas
www.elro.eu