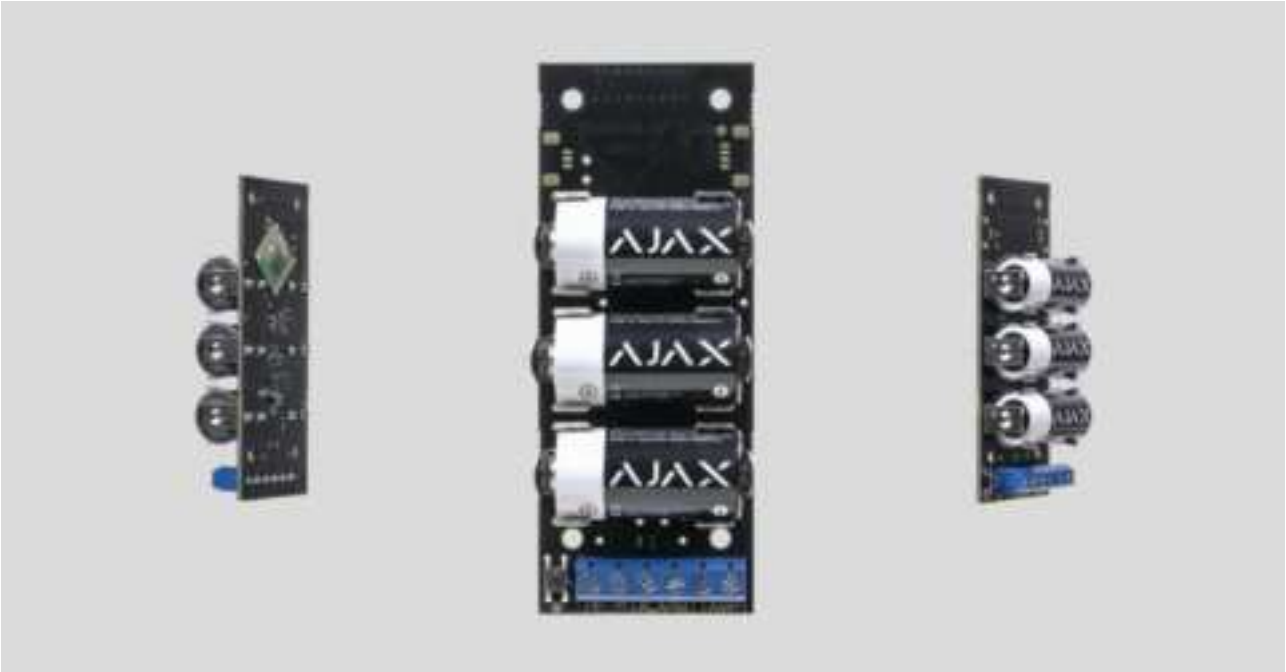


Transmitter User Manual

Updated May 25, 2021



Transmitter is a module for connecting third-party detectors to Ajax security system. It transmits alarms and warns about the activation of the external detector tamper and it is equipped with own accelerometer, which protects it from dismounting. It runs on batteries and can supply power to the connected detector.

Transmitter operates within the Ajax security system, by connecting via the protected Jeweller protocol to the hub. It is not intended to use the device in third-party systems.

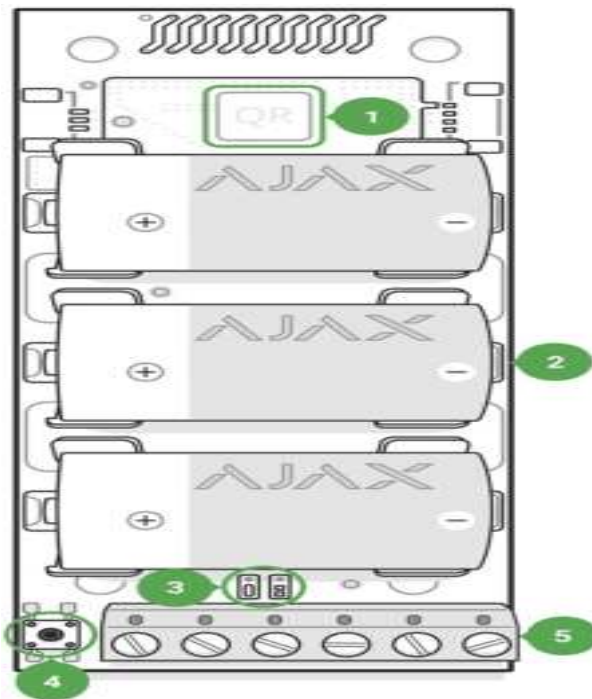


Not compatible with the uartBridge or ocBridge Plus

The communication range can be up to 1,600 meters provided that there are no obstacles and the case is removed.

Transmitter is set up via a mobile application for iOS and Android based

Functional Elements



1. QR code with the device registration key.
2. Batteries contacts.
3. LED indicator.
4. ON/OFF button.
5. Terminals for detector power supply, alarm and tamper signals.

Operation procedure






Transmitter is designed to connect third-party wired sensors and devices to the Ajax security system. The integration module receives information about alarms and tamper activation through the wires connected to the clamps.

Transmitter can be used to connect panic and medical buttons, indoor and outdoor motion detectors, as well as opening, vibration, breaking, fire, gas, leakage and others wired detectors.

The type of alarm is indicated in the settings of the Transmitter. The text of notifications about alarms and events of the connected device, as well as event

(CMS) depend on the selected type.

A total of 5 types of devices are available:

Type	Icon
Intrusion alarm	
Fire alarm	
Medical alarm	
Panic button	
Gas concentration alarm	

A separate pair of terminals ensures power supply to the external detector from the module batteries with 3.3 V.

Connecting to the hub

Before starting connection:

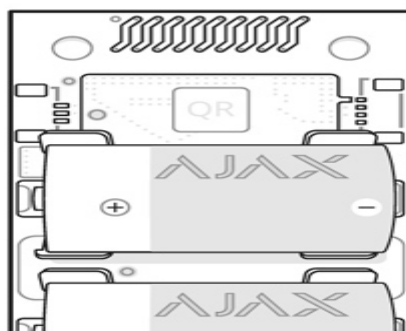
1. Following the hub instruction recommendations, install the [Ajax application](#) on your smartphone. Create an account, add the hub to the application, and create at least one room.
2. Go to the Ajax application.
3. Switch on the hub and check the internet connection (via Ethernet cable and/or GSM network).
4. Ensure that the hub is disarmed and does not start updates by checking its status in the mobile application.

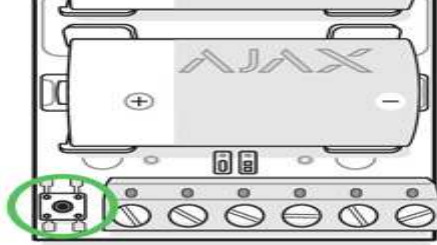


Only users with administrative privileges can add the device to the hub

How to connect the Transmitter to the hub:

1. Select the **Add Device** option in the Ajax application.
2. Name the device, scan/write manually the **QR Code** (located on the body and packaging), and select the location room.
3. Select **Add** – the countdown will begin.
4. Switch on the device (by pressing on/off button for 3 seconds).





For the detection and interfacing to occur, the device should be located within the coverage area of the wireless network of the hub (at a single protected object).

Request for connection to the hub is transmitted for a short time at the time of switching on the device.

If the connection to the Ajax hub failed, the Transmitter will switch off after 6 seconds. You may repeat the connection attempt then.

The Transmitter connected to the hub will appear in the list of devices of the hub in the application. Update of device statuses in the list depends on the device inquiry time set in the hub settings, with the default value – 36 seconds.

States

1. Devices 

2. Transmitter

Parameter	Value
Temperature	Temperature of the device. Measured on the processor and changes gradually
Jeweller Signal Strength	Signal strength between the hub and the device
Battery Charge	Battery level of the device. Displayed as a percentage <u>How battery charge is displayed in Ajax apps</u>

Connection	Connection status between the hub and the Transmitter
Always Active	If active, the device is always in an armed mode
Alert if Moved	It turns on the Transmitter accelerometer, detecting device movement
Temporary Deactivation	<p>Shows the status of the device temporary deactivation function:</p> <ul style="list-style-type: none"> ● No – the device operates normally and transmits all events. ● Lid only – the hub administrator has disabled notifications about triggering on the device body. ● Entirely – the device is completely excluded from the system operation by the hub administrator. The device does not follow system commands and does not report alarms or other events. ● By number of alarms – the device is automatically disabled by the system when the number of alarms is exceeded (specified in the settings for Devices Auto Deactivation). The feature is configured in the Ajax PRO app. ● By timer – the device is automatically disabled by the system when the recovery timer expires (specified in the settings for Devices Auto Deactivation). The feature is configured in the Ajax PRO app.
Firmware	Detector firmware version
Device ID	Device identifier

Settings

1. Devices

First field	Device name, can be edited
Room	Selecting the virtual room to which the device is assigned
External Detector Contact Status	<p>Selection of the external detector normal status:</p> <ul style="list-style-type: none"> ● Normally closed (NC) ● Normally opened (NO)
External Detector Type	<p>Selection of the external detector type:</p> <ul style="list-style-type: none"> ● Pulse ● Bistable
Tamper status	<p>Selection of the normal tamper mod for an external detector:</p> <ul style="list-style-type: none"> ● Normally closed (NC) ● Normally opened (NO)
Alarm Type	<p>Select alarm type of connected device:</p> <ul style="list-style-type: none"> ● Intrusion ● Fire ● Medical help ● Panic button ● Gas <p>The text of SMS and notifications in events feed, as well as the code transmitted to the security company's console, depends on the selected type of alarms</p>
Always Active	When the mode is active, the Transmitter transmits alarms even when the system is disarmed

Detector Power Supply	<p>Turning the power on in 3.3 V external detector:</p> <ul style="list-style-type: none"> • Disabled if disarmed • Always disabled • Always enabled
Arm in Night Mode	<p>If active, the device will switch to armed mode when using night mode</p>
Alert with a siren if an alarm is detected	<p>If active, sirens added to the system are activated if an alarm is detected</p>
Jeweller Signal Strength Test	<p>Switches the device to the signal strength test mode</p>
Attenuation Test	<p>Switches the device to the signal fade test mode (available in detectors with firmware version 3.50 and later)</p>
User Guide	<p>Opens the device User Guide</p>
Temporary deactivation	<p>Two options are available:</p> <ul style="list-style-type: none"> • Entirely – the device will not execute system commands or run automation scenarios. The system will ignore device alarms and notifications • Lid only – messages about triggering the tamper button of the device are ignored <p>Learn more about device temporary deactivation</p> <p>The system can also automatically deactivate devices when the set number of alarms is exceeded or when the recovery timer expires.</p> <p>Learn more about auto deactivation of devices</p>

- **The type (mode) of the external detector** that can be bistable or pulse.
- **The tamper mode**, which can be normally closed or normally open.
- **The accelerometer-triggered alarm** – you can turn this signal off or on.

Select the power mode for the external detector:

- **Turned off when the hub is disarmed** – the module stops powering the external detector upon disarming and does not process signals from the ALARM terminal. When arming the detector, the power supply resumes, but the alarm signals are ignored for the first 8 seconds.
- **Always disabled** – the Transmitter saves energy by turning off the power of the external detector. The signals from the ALARM terminal are processed both in the pulse and bistable modes.
- **Always active** – this mode should be used if there are any problems in the “Turned off when the hub is disarmed”. When the security system is armed, signals from the ALARM terminal are processed no more than once in three minutes in the pulse mode. If the bistable mode is selected, such signals are processed instantly.

If the “Always active” operating mode is selected for the module, the external detector is powered only in the “Always active” or the “Turned off when the hub disarmed” mode, regardless of the security system status.

Indication

Event	Indication
The Module is switched on and registered	The LED lights up when the ON button is briefly pressed.
Registration failed	LED blinks for 4 seconds with an interval of 1 second, then blinks 3 times rapidly (and

Performance testing

The Ajax security system allows conducting tests for checking the functionality of connected devices.

The tests do not start straight away but within a period of 36 seconds when using the standard settings. The test time start depends on the settings of the detector scanning period (the paragraph on “**Jeweller**” settings in hub settings).

Jeweller Signal Strength Test

Attenuation Test

Connection of the Module to the wired detector

Location of the Transmitter determines its remoteness from the hub and presence of any obstacles between the devices hindering the radio signal transmission: walls, inserted floors, large-size objects located within the room.



Check the signal strength level at the installation location

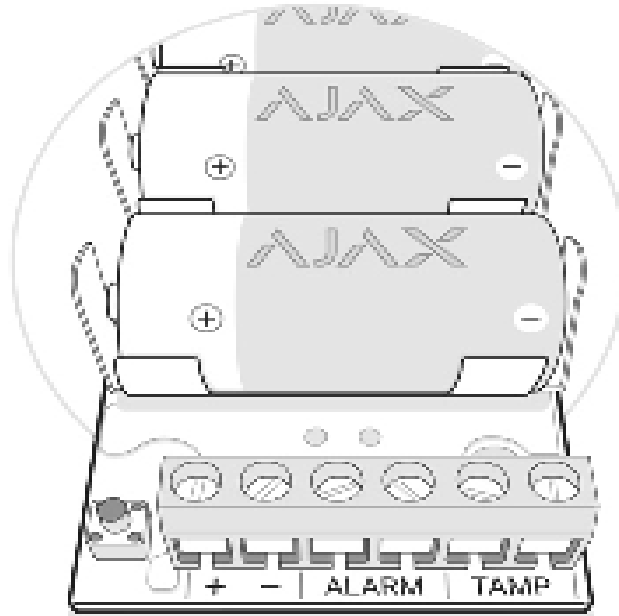
If the signal level is one division, we cannot guarantee stable operation of the security system. Take possible measures to improve the quality of the signal! As a minimum, move the device – even 20 cm shift can significantly improve the quality of reception.

If, after moving, the device still has a low or unstable signal strength, use a radio signal range extender ReX.



The maximum cable length for connecting the sensor is 150 m (24 AWG twisted pair). The value may vary when using different type of cable.

The function of the Transmitter's terminals



+ - – power supply output (3.3 V)

ALARM – alarm terminals

TAMP – tamper terminals



IMPORTANT! Do not connect external power to the Transmitter's power outputs. This may damage the device

- Secure the Transmitter in the case. Plastic bars are included in the installation kit. It is recommendable to install the Transmitter on them.

The device does not require maintenance when mounted in the housing of a wired sensor.

How long Ajax devices operate on batteries, and what affects this

Battery Replacement

Tech Specs

Connecting a detector	ALARM and TAMPER (NO/NC) terminals
Mode for processing alarm signals from the detector	Pulse or Bistable
Power	3 × CR123A, 3V batteries
Capability to power the connected detector	Yes, 3.3V
Protection from dismounting	Accelerometer
Frequency band	868.0–868.6 MHz or 868.7 – 869.2 MHz, depends on sales region
Compatibility	Operates only with all Ajax <u>hubs</u> , and <u>range extenders</u>
Maximum RF output power	Up to 20 mW
Modulation	GFSK
Communication range	Up to 1,600 m (any obstacles absent)
Ping interval for the connection with the receiver	12–300 sec
Operating temperature	From –25°C to +50°C
Operating humidity	Up to 75%

1. Transmitter
2. Battery CR123A – 3 pcs
3. Installation kit
4. Quick Start Guide

Warranty

Warranty for the “AJAX SYSTEMS MANUFACTURING” LIMITED LIABILITY COMPANY products is valid for 2 years after the purchase and does not apply to the pre-installed battery.

If the device does not work correctly, you should first contact the support service – in half of the cases, technical issues can be solved remotely!

[The full text of the warranty](#)

[User Agreement](#)

Technical support: support@ajax.systems