

Honeywell

209920A Wall Cover Plate

INSTALLATION INSTRUCTIONS

APPLICATION

The 209920A Wall Cover Plate is used when installing a new thermostat to cover marks left on the wall by the old thermostat. It can be used with a T7512, T7516, T7518, T8131 or T8132 Thermostat.

INSTALLATION

When Installing this Product...

Read these instructions carefully.
Installer must be a trained, experienced service technician.



CAUTION

Equipment Damage Hazard

To prevent equipment damage, disconnect the power supply before beginning installation

Mounting

The wall cover plate can be mounted on the wall or on a 2 x 4 in. outlet box

1. Mark and drill holes, as necessary, following the mounting and installation instructions provided with the thermostat.
2. Place the wall cover plate on the wall or outlet box.
3. Mount the thermostat or thermostat wiring plate over the wall cover plate. Pull wires through the wiring opening. Insert screws included with the thermostat; level and tighten. See Fig. 2.

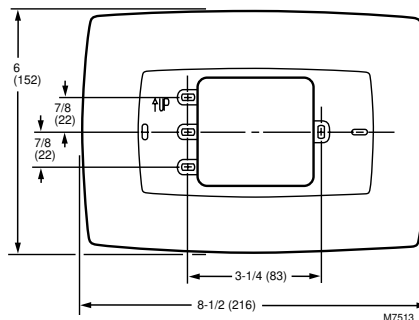
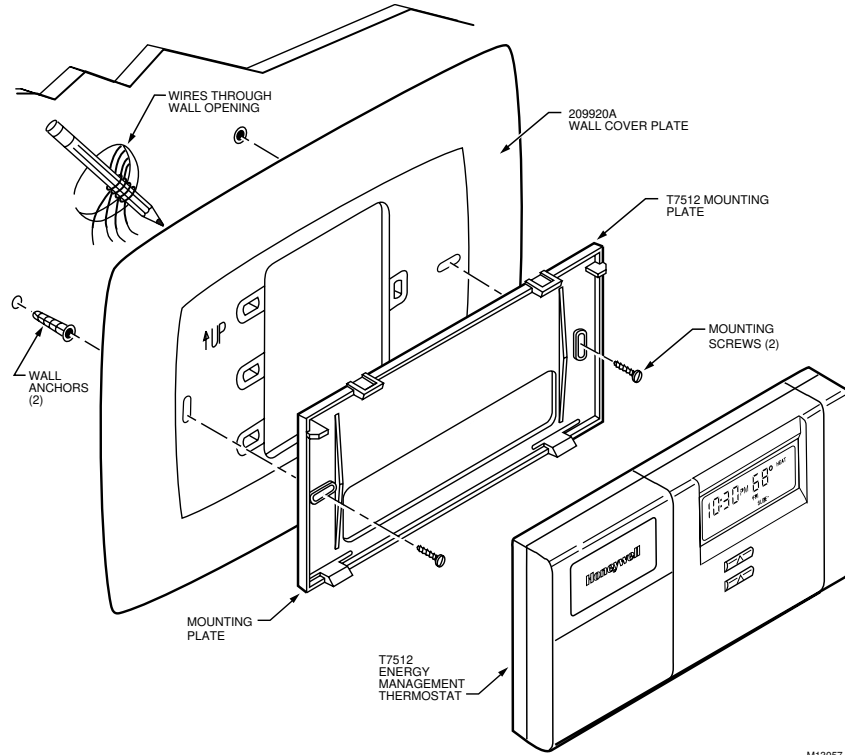


Fig. 1. Dimensions of 209920A
Wall Cover Plate in in. (mm).



209920A WALL COVER PLATE



M13057

Fig. 2. Attaching T7512 Mounting Plate and 209920A Wall Cover Plate to wall.

Honeywell

Helping You Control Your World®

Home and Building Control
Honeywell Inc.
Honeywell Plaza
P.O. Box 524
Minneapolis, MN 55408-0524

Home and Building Control
Honeywell Limited-Honeywell Limitée
155 Gordon Baker Road
North York, Ontario
M2H 3N7

69-1133 R.L. 9-97



Printed in U.S.A. on recycled paper containing at least 10% post-consumer paper fibers.