

# 551135-3-R4 LSA HIGH MOUNT GM R4 A/C BRACKET KIT



Made in the USA  
with USA made materials,  
spacers, pulleys, & tensioners

Scan to visit our web site



www.ictbillet.com



840117200111

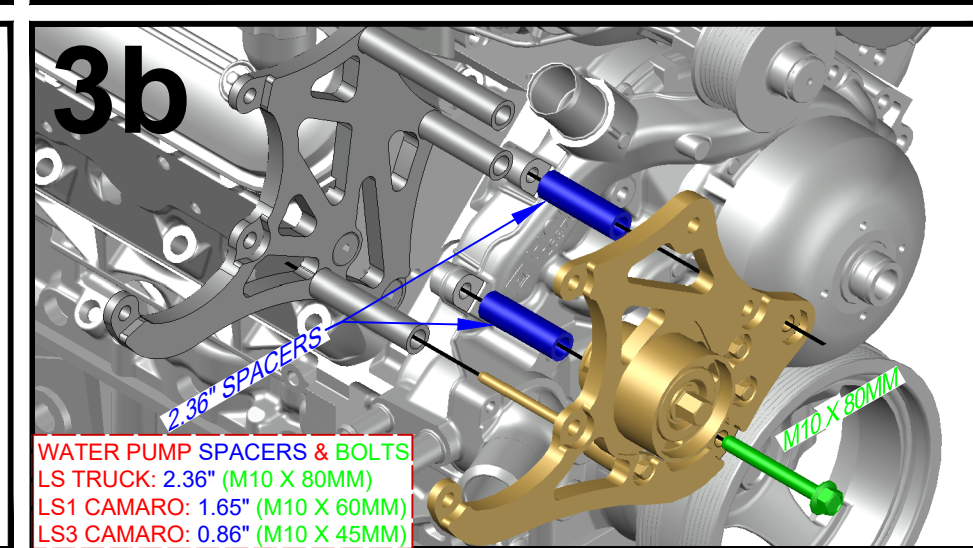
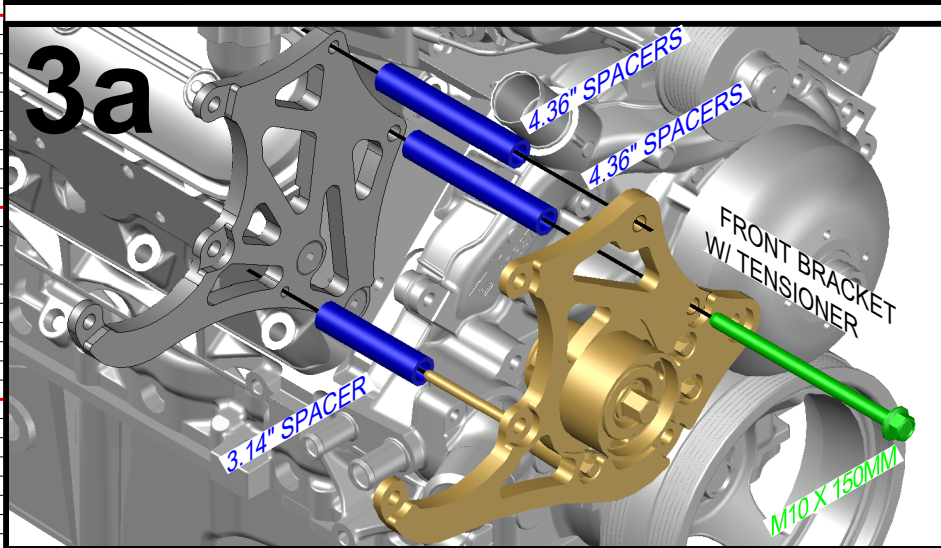
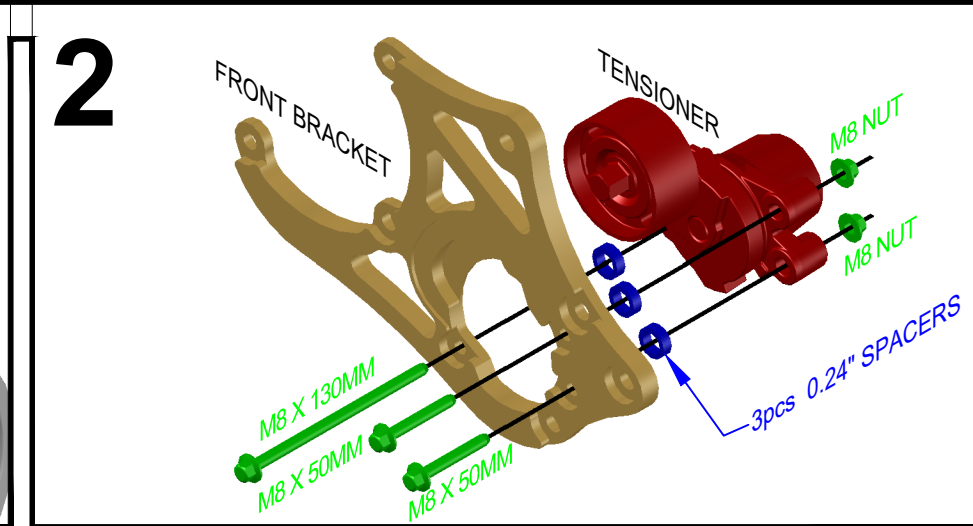
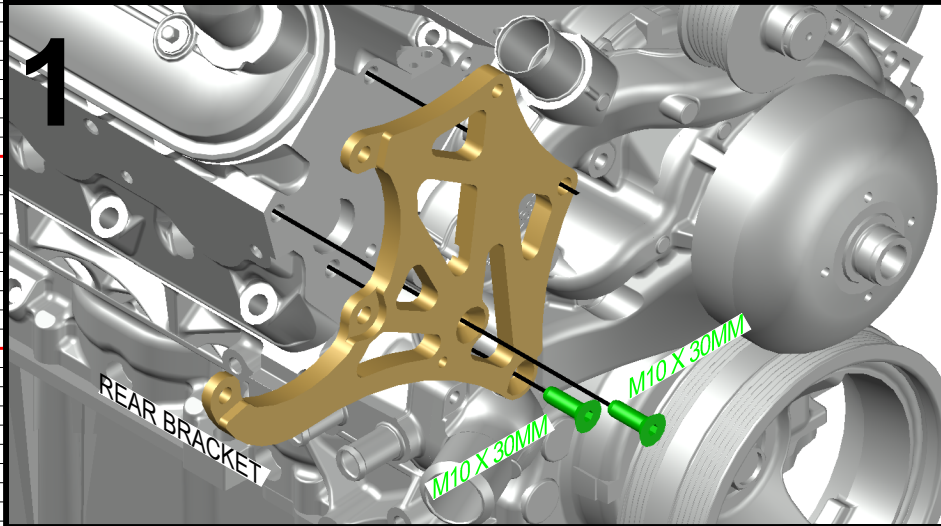
Technical Support

www.ictbillet.com

email: sales@ictbillet.com

Phone: 316-800-695

**⚠️ WARNING: Cancer and Reproductive Harm - www.P65Warnings.ca.gov**



**WATER PUMP SPACERS & BOLTS**  
 LS TRUCK: 2.36" (M10 X 80MM)  
 LS1 CAMARO: 1.65" (M10 X 60MM)  
 LS3 CAMARO: 0.86" (M10 X 45MM)

**⚠️ WARNING: Proposition 65 - This product can expose you to chemicals including lead, which is known to the State of California to cause cancer, birth defects, or other reproductive harm. For more information go to www.P65Warnings.ca.gov** **ALUMINUM** - Most of the aluminum alloys used today contain some level of lead, usually less than .1%. Lead is known to the state of California to cause cancer and reproductive harm. Most aluminum alloys are physiologically inert in their solid form, and the lead is contained within, however user-generated dust and/or fumes may pose a hazard if inhaled or ingested. Heating beyond a certain temperature may also provide avenues for exposure. **STEEL BOLTS** - Steel is an iron alloy with several metals including Nickel and Chromium. Both Nickel and Chromium are known to the State of California to cause cancer and reproductive harm respectively. This warning applies to stainless steels as well.

IN  
10ths  
1  
2  
3  
4  
5  
6  
7

MM  
10  
20  
30  
40  
50  
60  
70  
80  
90  
100  
110  
120  
130  
140  
150  
160  
170  
180

# 551135-3-R4 LSA HIGH MOUNT GM R4 A/C BRACKET KIT



Made in the USA  
with USA made materials,  
spacers, pulleys, & tensioners

Scan to visit our web site



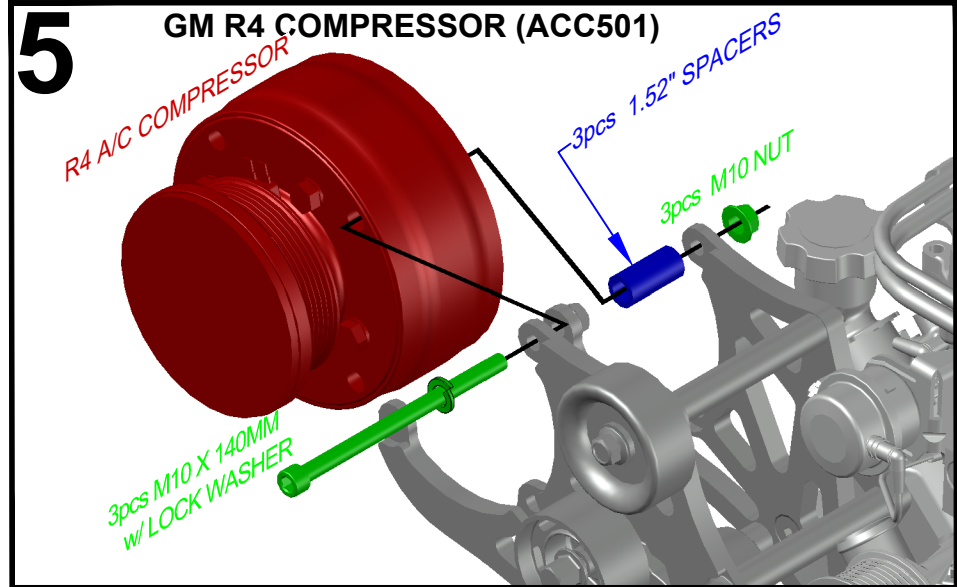
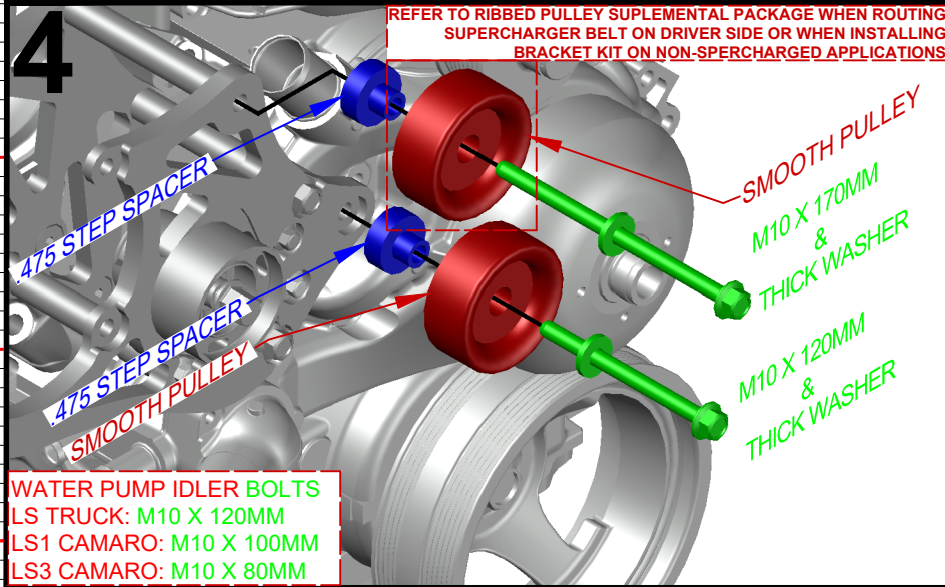
www.ictbillet.com



Technical Support

www.ictbillet.com  
email: sales@ictbillet.com  
Phone: 316-800-695

**⚠️ WARNING: Cancer and Reproductive Harm - www.P65Warnings.ca.gov**



## BELT ROUTINGS SHOWN ON PAGE 2 OF RIBBED PULLEY SUPPLEMENTAL INSTRUCTIONS

**⚠️ WARNING:** Proposition 65 - This product can expose you to chemicals including lead, which is known to the State of California to cause cancer, birth defects, or other reproductive harm. For more information go to [www.P65Warnings.ca.gov](http://www.P65Warnings.ca.gov) **ALUMINUM** - Most of the aluminum alloys used today contain some level of lead, usually less than .1%. Lead is known to the state of California to cause cancer and reproductive harm. Most aluminum alloys are physiologically inert in their solid form, and the lead is contained within, however user-generated dust and/or fumes may pose a hazard if inhaled or ingested. Heating beyond a certain temperature may also provide avenues for exposure. **STEEL BOLTS** - Steel is an iron alloy with several metals including Nickel and Chromium. Both Nickel and Chromium are known to the State of California to cause cancer and reproductive harm respectively. This warning applies to stainless steels as well.