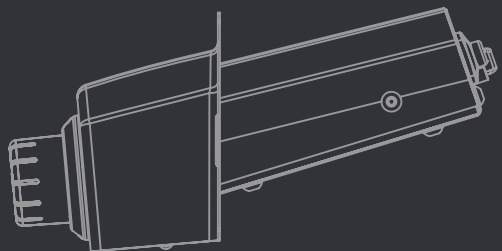




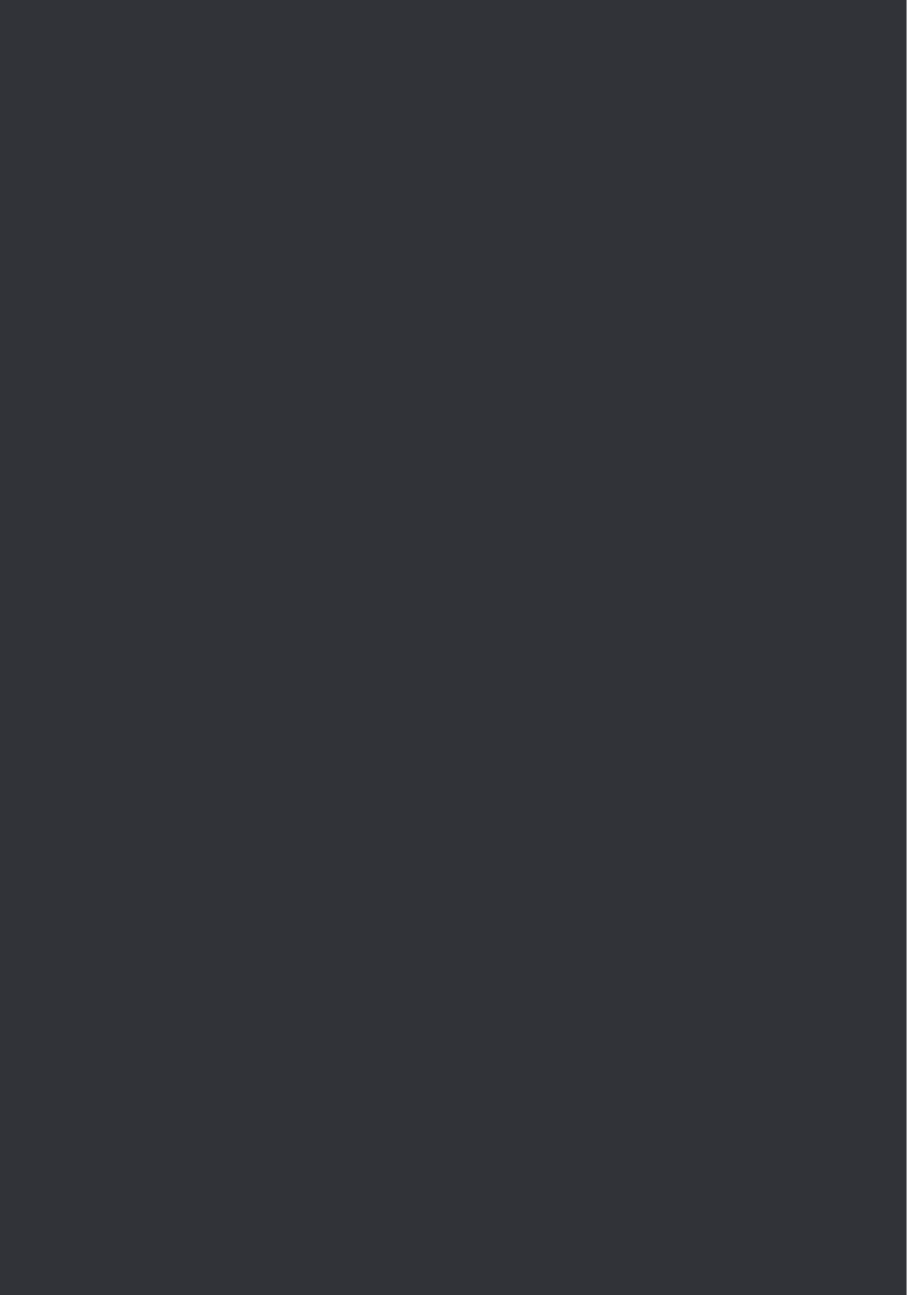
Gas Burner

for Ooni Karu 12

Manual



EU37



Gas Burner

for Ooni Karu 12

Contents

EN	2
DE	14
ES	26
FR	38
IT	50
PT	62

Safety Legal Disclaimer: Must be read in full prior to use.

Please read the present legal disclaimer fully before assembling, installing and using/servicing your Ooni Gas Burner for Ooni Karu 12 attachment part in connection with your Ooni Karu 12 oven. Failure to comply with all the provisions of the present legal disclaimer could result in property damage, serious bodily injury or even death, or in a fire causing damage to property.

1. When using Ooni Karu 12 oven together with your Ooni Gas Burner for Ooni Karu 12 attachment part, bear in mind that (1) the Ooni Gas Burner for Ooni Karu 12 attachment part shall only be used with your Ooni which excludes any other appliance, and (2) the entirety of the provisions of the Ooni Karu 12 oven's Safety Legal Disclaimer also apply to the use of the your Ooni Gas Burner for Ooni Karu 12 attachment part in addition to the provisions of the present safety legal disclaimer. You are strongly advised to not use your Ooni Karu 12 oven with the Ooni Gas Burner for Ooni Karu 12 attachment part until your Ooni Karu 12 oven has been thoroughly and properly gas leak-tested.
2. Combustion by-products, produced when using the Ooni Karu 12 oven with your Ooni Gas Burner for Ooni Karu 12 attachment part, contain carbon and carbon monoxide in the flue gas of Ooni Gas Burner for Ooni Karu 12; these substances, if inhaled indoors or in any other unventilated area, are known as a possible cause of death through asphyxiation and/or carbon monoxide poisoning.
3. If Ooni Gas Burner for Ooni Karu 12 does not light, turn knobs OFF, wait 5 minutes, and try again. Always close the gas valve during the 5 minute waiting period. If Ooni Gas Burner for Ooni Karu 12 does not ignite with the valve open, gas will continue to flow out of Ooni Gas Burner for Ooni Karu 12 and could accidentally ignite with risk of injury.
4. If a gas leak is detected at any time, STOP and call the fire department. Leaking propane may result in explosion, fire, severe personal injury, or death. If you smell gas (1) shut off gas to the appliance, (2) extinguish any open flame, and (3) If odour continues, keep away from your Ooni Karu 12 oven and immediately call your gas supplier or your fire department. If you cannot stop a gas leak, immediately close LPG (propane) valve and call LP gas supplier or your fire department. If "growing" bubbles appear in the cylinder do not use or move the LPG (propane). Contact an LP gas supplier or your fire department.
5. Do not store or use gasoline or other flammable liquids or vapours in the vicinity of your Ooni Karu 12 oven or any other appliance. Do not insert any tool or foreign object into the valve outlet or safety relief valve. You may damage the valve and cause a leak. Never attempt to attach your Ooni Gas Burner for Ooni Karu 12 to the self-contained LP gas system of a camper trailer or motor home. Never operate your Ooni Karu 12 oven with LPG (propane) in any other position other than that specified in assembly instructions. Always close LPG (propane) valve before moving LPG (propane) from specified operation position. Turn controls and gas source or tank OFF when not in use.
6. Use the Ooni Gas Burner for Ooni Karu 12, as purchased, only with LPG (propane) and the regulator/valve assembly supplied. Do not attempt to repair or alter the hose/valve/regulator for any "assumed" defect. Any modification to this assembly will create the risk of a gas leak and fire. Use only authorized replacement parts supplied by Ooni Limited. NEVER store a spare LPG (propane) under or near your Ooni Karu 12 oven or in an enclosed area. An LPG (propane) not connected for use shall not be stored in the vicinity of your Ooni Karu 12 oven or any other appliance.
7. You shall use your Ooni Gas Burner for Ooni Karu 12 attachment part, in connection with your Ooni Karu 12 oven, only with pre-bottled LPG (propane).

An improperly stored LPG (propane) is a hazard due to possible gas release from the safety relief valve. This could cause an intense fire with risk of property damage, serious injury or death. If you see, smell or hear gas escaping, immediately move away from the LPG (propane)/appliance and call your fire department.

OONI LIMITED, OONI INC OR OONI GMBH DOES NOT ACCEPT ANY RESPONSIBILITY, LEGAL OR OTHERWISE, FOR THE INCIDENTAL OR CONSEQUENTIAL DAMAGE TO PROPERTY OR PERSONS RESULTING FROM THE USE OF YOUR OONI GAS BURNER FOR OONI KARU 12 ATTACHMENT PART WHICH DOES/DID NOT COMPLY WITH ANY OF THE PROVISIONS OF THE PRESENT LEGAL DISCLAIMER.

OONI LIMITED, OONI INC OR OONI GMBH SHALL IN NO EVENT BE LIABLE FOR ANY SPECIAL, INDIRECT, CONSEQUENTIAL OR OTHER DAMAGES OF ANY NATURE WHATSOEVER IN EXCESS OF THE ORIGINAL PURCHASE PRICE OF YOUR OONI GAS BURNER FOR OONI KARU 12 ATTACHMENT PART.

Some states or countries do not allow the exclusion or limitation of incidental or consequential damages, therefore such limitations or exclusions may not apply to you.

Safety Information

- Read instructions before using the appliance.
- Only to be used outdoors.
- Warning! Accessible parts may be very hot.
- Warning! Make sure the legs on Ooni Karu 12 are fully extended before use
- Warning! To prevent shock, Do not to touch the electrode tip when igniting the burner.
- Warning! Do not adjust the ceiling vent or chimney vent during use.
- Warning! Keep away from hot exhaust gases coming from the chimney
- Warning! Please ensure there is a distance of at least 3.5" / 90mm between the edges of any of the oven legs and the edge of the table surface.
- Keep young children away.
- Do not move the appliance during use.
- Turn off the gas supply at the gas cylinder after use.
- Do not modify the appliance.
- Parts sealed by the manufacturer or agent must not be manipulated by the user.
- Always use protective gloves when handling hot components.
- Storage of an appliance indoors is only permissible if the cylinder is disconnected and removed from the appliance. When the appliance is not used for a period of time, it should be removed from the oven and stored in its original packaging in a dry dust free environment.
- CAUTION: All cleaning and maintenance should be carried out when the oven is cool and with the fuel supply turned OFF at the gas cylinder and disconnected.
- BEFORE USE CHECK APPLIANCE AND CONNECTIONS FOR LEAKS: Never check for leaks with a naked flame, always use a soapy water solution. Leak testing: Leak test each time a new gas tank is connected or after a long period without having used the appliance. Make sure that the valve is in correct alignment with the venturi. Make sure that the hose has no cracking or splitting. IMPORTANT: if you cannot stop a gas leak, turn off the gas tank valve and call your local gas tank dealer or fire department.
- The appliance must be kept away from any flammable materials during use.
- When changing the gas canister, ensure that the Ooni Gas Burner for Ooni Karu 12 knob is turned to the off position, disconnect the regulator from the gas canister and remove the canister. Throughout this process, ensure that the canister is kept a minimum of 1 meter away from the oven to avoid ignition risks.



Stand to side when relighting - never look directly into the oven or at the flame.



Gas regulator supplied may not be suitable for use in your territory or region, please refer to your local regulations for more information.

Step 1

Install hose pipe (if required)

Regulators and hose connections will vary depending on your region.

If your Ooni Gas Burner for Ooni Karu 12 has a threaded female hose end follow Step 1a.

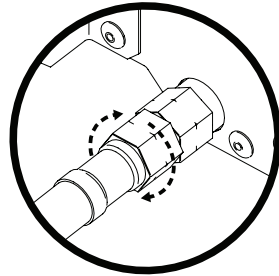
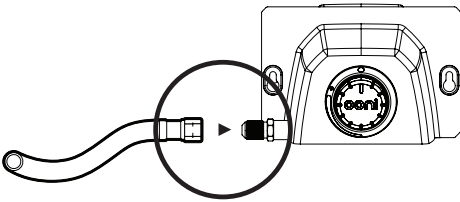
If your Ooni Gas Burner for Ooni Karu 12 has a threaded barb and regular hose with a hose clip follow Step 1b then 1c.

If your Ooni Gas Burner for Ooni Karu 12 has a regular hose with a hose clip follow Step 1a.

If your Ooni Gas Burner for Ooni Karu 12 has the hose preinstalled continue to Step 2.

Step 1a

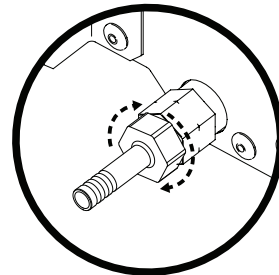
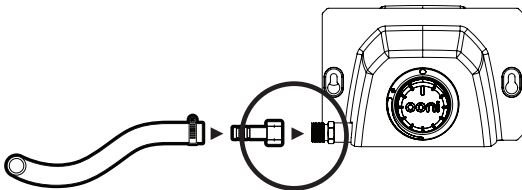
Tighten with suitable wrenches



! Tighten counter-clockwise in EU.

Step 1b

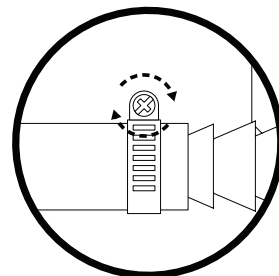
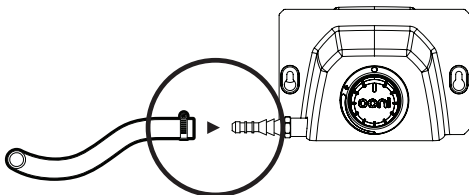
Tighten with suitable wrenches then follow Step 1c.



! Tighten counter-clockwise in EU.

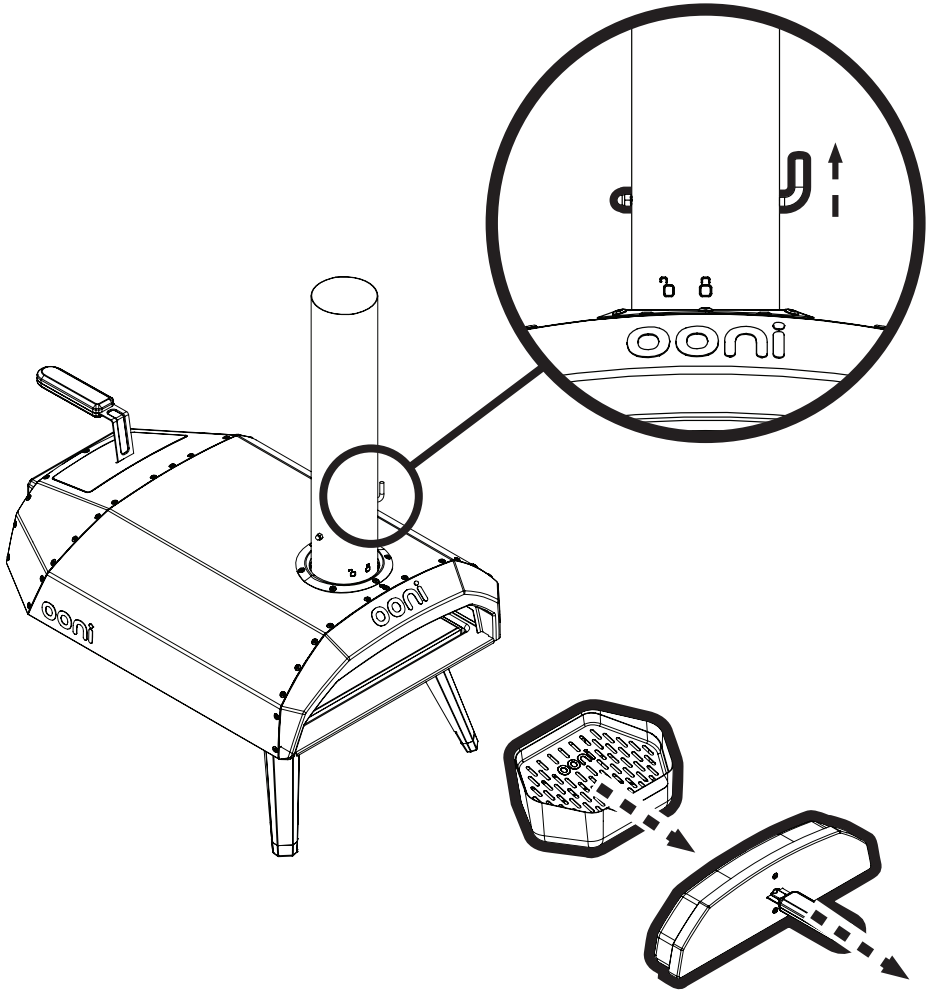
Step 1c

Tighten with suitable screwdriver.

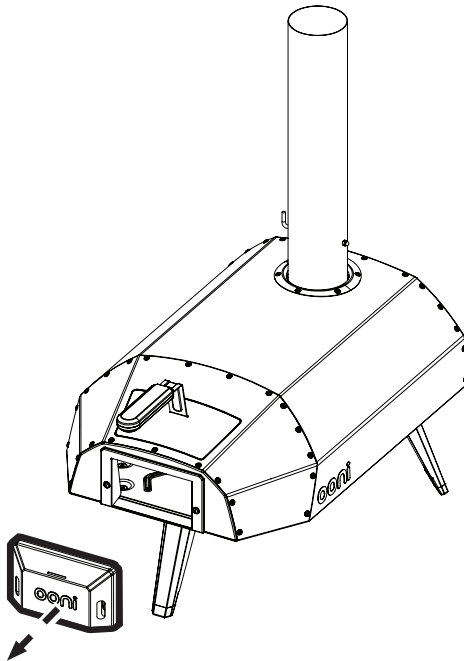
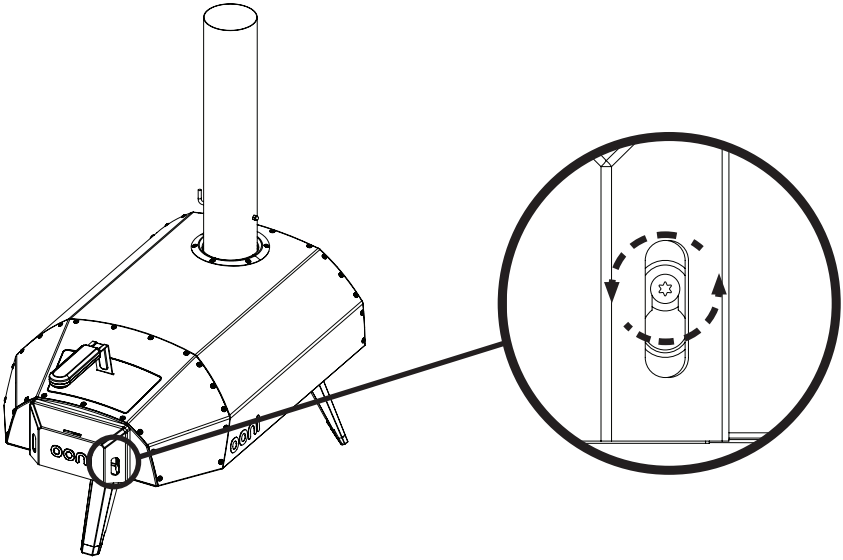


Step 2

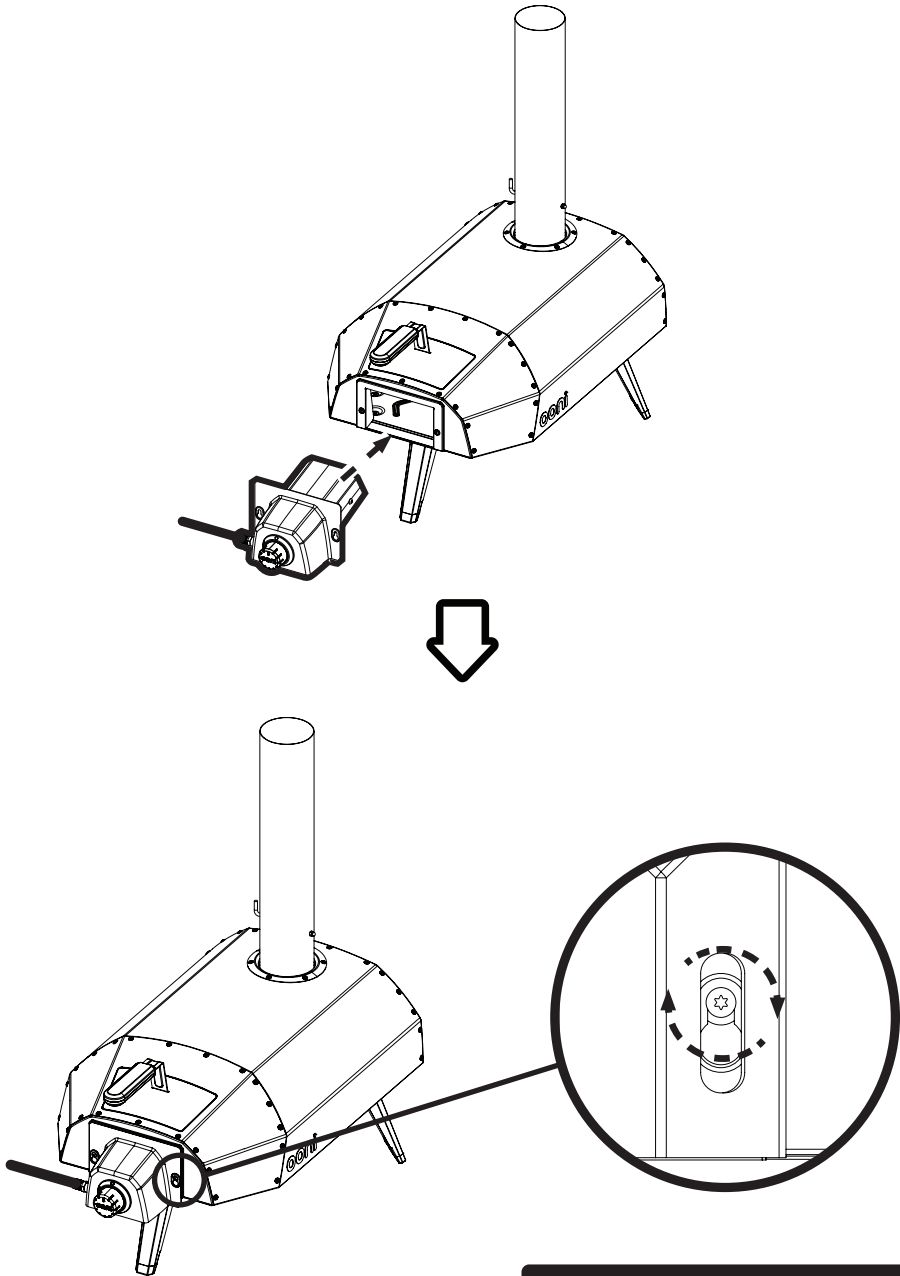
Remove the door and fuel tray and ensure the chimney vent is open



Step 3
Remove draft defender plate



Step 4
Add Ooni Gas Burner for Ooni Karu 12

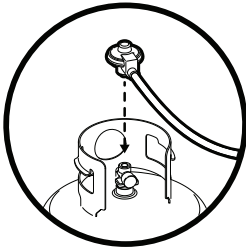


! Secure but do not over-tighten screws

Step 5

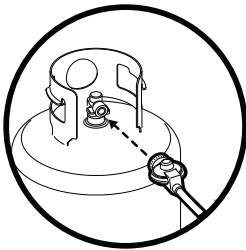
Connect to gas canister

Regulators will vary depending on region.



Patio gas regulator

This is a push-on gas fitting. Ensure that the black switch is in the horizontal position. Depress the button located below the black switch and press the regulator on to the tank valve until it locks into place.

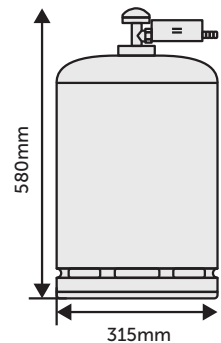


POL gas regulator

This is an anticlockwise threaded gas fitting. Ensure the tank is fully turned off and screw the regulator on to the gas tank valve fitting until tight.

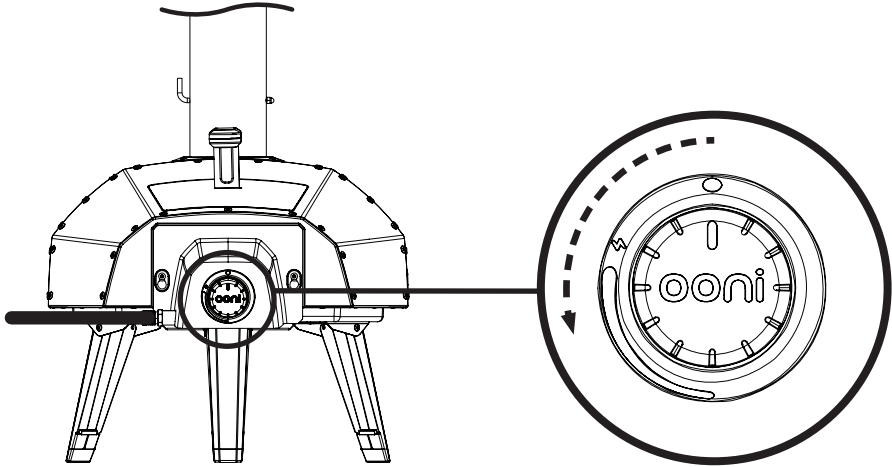
Gas Safety Information

- The appliance must be installed at least 1 meter from any flammable materials.
- The oven should be placed on a non-flammable, stable and flat surface.
- Make sure your oven is placed in an area that will not be affected by adverse weather.
- Appliance only to be used with Propane LPG. Minimum cylinder capacity 4kg maximum cylinder capacity 13kg.
- Use a suitable provided regulator certified to EN 16129 and a flexible hose certified to EN 16436.
- The length of the hose must be no more than 1.5 meters. Worn or damaged hose must be replaced. Ensure that the hose is not obstructed, kinked, or in contact with any part of the oven other than at its connection.
- The gas supply hose should be checked periodically and should be replaced if damaged and at least every two years.
- Your country's national requirements will advise you how often to replace the hose. Regularly review these requirements for your country.
- In the case of blocked venturi immediately turn off burner unit, turn off gas supply, disconnect gas supply and wait until cooled to be removed from oven.
- Ensure the appliance is clear of debris before every use. If any debris does build up use a brush to remove this when the appliance has cooled.

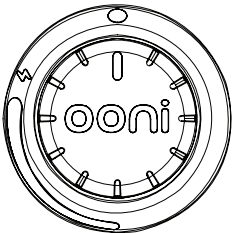


Step 6 Ignition

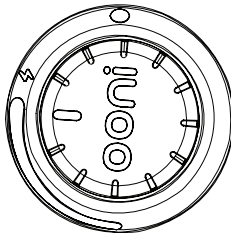
1. Turn on the gas at the gas canister.
2. Push in and turn the button counter-clockwise until it clicks. Do not turn too quickly.
From press to click should take about 3 seconds
3. Hold in button for 5 seconds, then release.



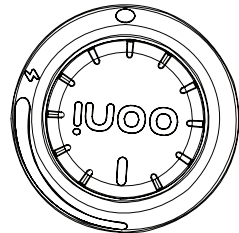
Off



Maximum power



Minimum power

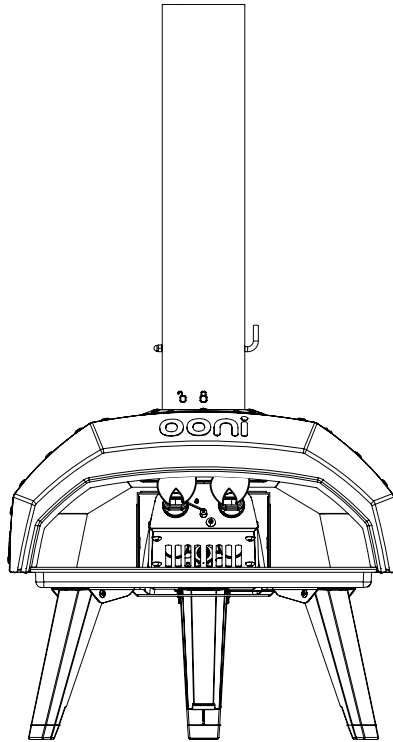


Stand clear of the oven when igniting - ensure nobody is within 1 metres (3ft) of the front of the oven. Maintain arms length from the oven when igniting, and do not lean over the oven when igniting.

Step 7

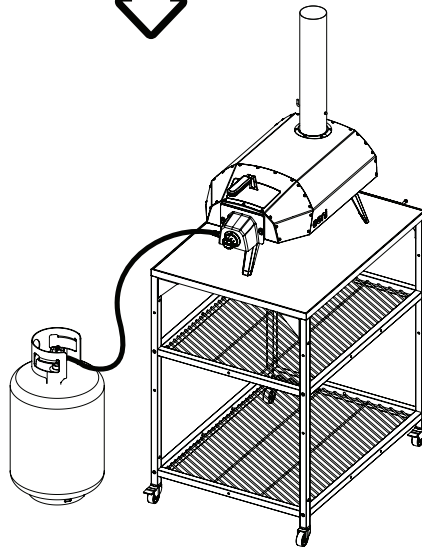
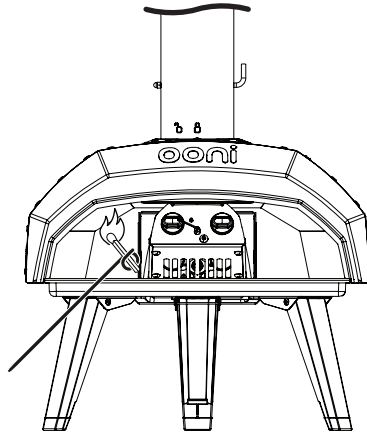
Verify that the gas burner has on

1. If not, turn off the gas and go back to Step 6.
2. If the burner still does not ignite go to Step 8.



Step 8 Ignition – using a match

If the burner still does not ignite; turn the gas on and light using a match and the supplied match holder through the front of the oven. Hold it in front of the burners. Press and turn the knob as described in Step 6.



⚠ Always route the gas hose away from the oven. The hose must not touch the oven body

⚠ If the flames go out turn off the gas and wait 5 minutes before reigniting

Troubleshooting







Problem	Possible cause	Prevention / Solution
My oven isn't getting hot enough	<ol style="list-style-type: none"> 1. Empty gas bottle 2. Cracking or leaking on the hose 3. Regulator improperly fixed 4. Operation in extreme conditions 	<ol style="list-style-type: none"> 1. Check the gas bottle is full, even a bottle with little gas inside may affect the gas burner performance 2. Ensure there is no cracking or leaking on the hose 3. Ensure the regulator is properly fixed to the gas bottle and the hose is firmly attached to the gas burner tightened using appropriate sized wrenches as outlined in the instruction manual 4. Your gas burner and oven should not be used in extreme conditions (eg high wind)
My gas burner will not ignite	<ol style="list-style-type: none"> 1. Improper set-up 2. Empty gas bottle 3. Cracking or leaking from the hose 4. Improper lighting technique. 5. Regulator improperly fixed 6. Improper alignment of the sparker 	<ol style="list-style-type: none"> 1. Ensure the chimney cap is removed and the ceiling vents and chimney vent are open. The door should be open. 2. Check the gas bottle is full, even a bottle with little gas inside may affect the gas burner performance 3. Ensure there is no cracking or leaking on the hose 4. Turning the dial too quickly may prevent the gas burner from lighting. 5. Ensure the regulator is properly fixed to the gas bottle and the hose is firmly attached to the gas burner tightened using appropriate sized wrenches as outlined in the instruction manual 6. Reposition the sparker tip so it is 2-3 mm away from the front of the burner cap.
My flame is too yellow / too blue	Variation in the environment, the food you cook, ambient temperature and condition of your Ooni oven may effect the colour of your flame	The colour of your flame will not affect the taste or quality of your food.
My FSD is not functioning correctly	There may be soot build up on my FSD probe	Ensure the gas burner and gas supply is switched off, wait for the burner to cool down, gently clean the probe and burner holes with damp cloth, leave the burner to fully dry before re-lighting.
Gas burner for Ooni will not maintain it's flame	<ol style="list-style-type: none"> 1. Lack of oxygen 2. Oven placed on an uneven surface 	<ol style="list-style-type: none"> 1. Open the chimney vent of your Ooni Pro to encourage better airflow through the oven 2. If your Ooni is on a slant when set up, the oxygen will not flow as well. Try to set up on a flat surface.
I can hear a 'roaring sound' coming from the Gas burner and my flames are very weak	Flame is burning within the ventures	Switch off the gas supply and the gas burner immediately, wait 5 minutes and relight the gas burner.

Product technical information

Model number

Ooni Karu 12 Gas Burner

Product Label

ooni		CE 2531-21 2531DM-0024	
Ooni GmbH, Simrockstraße 11, 53113 Bonn, Germany		I3+ (28-30/37)	
Ooni Karu 12 Gas Burner		28-30 mbar	37 mbar
5.3 kW, 386g/h 0.81 mm * 2		Butane Butan Butano	Propane Propan Propano
BE, CH, ES, FR, GB, IE, IT, LU, PT			
EN: Use outdoors only. Read the instructions before using the appliance. WARNING: accessible parts may be very hot. Keep young children away. This appliance must be kept away from flammable materials during use. Do not move the appliance during use. Turn off the gas supply at the gas cylinder after use. Do not modify the appliance.		DE: Nur im Freien verwenden. Lies dir die Bedienungsanleitung vollständig durch, bevor du das Gerät benutzt. WARNUNG: Zugängliche Teile können sehr heiß werden. Halte kleine Kinder fern. Dieses Gerät muss während des Gebrauchs von brennbaren Materialien ferngehalten werden. Verschiebe das Gerät während der Verwendung nicht. Schalte die Gaszufuhr nach Gebrauch an der Gasflasche aus. Ändere nichts am Gerät.	
 <p>Stand to side when relighting - never look directly into the oven or at the flame.</p>		 <p>Stehe beim Anzünden auf der Seite – schau niemals direkt in den Ofen oder auf die Flamme.</p>	
ES: Uso al aire libre exclusivamente. Lea las instrucciones antes de usar el aparato. ADVERTENCIA: las piezas accesibles pueden estar muy calientes. Mantenga alejados a los niños. Este aparato debe mantenerse alejado de cualquier material inflamable durante su uso. No mueva el aparato mientras esté en uso. Cierre el suministro de gas en la bombona después de su uso. No modifique el aparato.		FR: Usage en extérieur uniquement. Lis ces instructions avant d'utiliser l'appareil. AVERTISSEMENT : les parties accessibles peuvent être très chaudes. Les jeunes enfants doivent être tenus à l'écart. Cet appareil doit être tenu à l'écart de tout matériau inflammable pendant son utilisation. Ne déplace pas l'appareil durant l'utilisation. Coupe l'alimentation en gaz au niveau de la bombonne de gaz après utilisation. N'apporte aucune modification à l'appareil.	
 <p>Colóquese a un lado cuando vuelva a encenderlo, nunca mire directamente al horno o a la llama.</p>		 <p>Tiens-toi sur le côté lors du réallumage. Ne regarde jamais directement la flamme ou l'intérieur du four.</p>	
IT: Utilizzalo esclusivamente all'aria aperta. Prima di utilizzare il dispositivo, leggi le istruzioni. ATTENZIONE: le parti accessibili possono essere molto calde. Tieni i bambini a distanza di sicurezza. Durante l'uso il dispositivo deve essere tenuto a distanza da qualsiasi materiale infiammabile. Non spostare il dispositivo durante l'uso. Chiudi il gas sulla bombola dopo l'uso. Non alterare il dispositivo.		PT: Utilize apenas ao ar livre. Leia as instruções antes de utilizar o aparelho. AVISO: as partes acessíveis podem estar muito quentes. Manter afastado das crianças. Deve-se manter este aparelho afastado de materiais inflamáveis durante a sua utilização. Não mova o aparelho durante a sua utilização. Desligue o fornecimento de gás na botija de gás após a sua utilização. Não modifique o aparelho.	
 <p>Mettiti da un lato durante la riaccensione, e non guardare mai direttamente verso il forno o la fiamma.</p>		 <p>Afaste-se um pouco quando reacender - nunca olhe diretamente para o forno ou para a chama.</p>	

Injectors

Injector marking: **0.81 mm**

Marking: **0.81**

When the diameter of the injector is 0.81 mm use the provided 37 mbar regulator with Propane LPG cylinder.

Sicherheitshaftungsausschluss: Vor der Verwendung vollständig lesen!

Bitte lies dir den vorliegenden Haftungsausschluss vollständig durch, bevor du dein Aufsatzteil für den Ooni Gasbrenner für Ooni Karu 12 in Verbindung mit deinem Ooni Karu 12 Ofen zusammenbaust, installierst und benutzt bzw. wartest. Das Nichtbeachten der Bestimmungen dieses Haftungsausschlusses kann zu Sachschäden, schweren Körperverletzungen oder sogar zum Tod führen oder ein Feuer verursachen, das zu Sachschäden führt.

1. Wenn du den Ooni Karu 12 Ofen zusammen mit deinem Aufsatzteil für den Ooni Gasbrenner für Ooni Karu 12 verwendest, beachte, dass (1) das Ooni Karu 12 Gasbrenner-Aufsatzteil nur mit deinem Ooni verwendet werden darf, was jedes andere Gerät ausschließt, und (2) die Gesamtheit der Bestimmungen des Sicherheitshaftungsausschlusses des Ooni Karu 12 Ofens auch für die Verwendung deines Ooni Karu 12 Gasbrenner-Aufsatzteils zusätzlich zu den Bestimmungen des vorliegenden Sicherheitshaftungsausschlusses gilt. Es wird dringend empfohlen, deinen Ooni Karu 12 Ofen erst dann mit dem Aufsatzteil für den Ooni Gasbrenner für Ooni Karu 12 zu verwenden, nachdem dein Ooni Gasbrenner für Ooni Karu 12 gründlich und ordnungsgemäß auf Gaslecks getestet wurde.
2. Verbrennungsnebenprodukte, die bei der Verwendung des Ooni Karu 12 Ofens mit deinem Aufsatzteil für den Ooni Gasbrenner für Ooni Karu 12 entstehen, enthalten Kohlenstoff und Kohlenmonoxid und befinden sich im Rauchgas des Ooni Gasbrenners für Ooni Karu 12; diese Stoffe können, wenn sie in Innenräumen oder in anderen unbelüfteten Bereichen eingatmet werden, möglicherweise zum Tod durch Ersticken und/oder Kohlenmonoxidvergiftung führen.
3. Wenn der Ooni Gasbrenner für Ooni Karu 12 nicht angeht, bringe die Knöpfe in AUS-Stellung, nimm die Brennstoffklappe ab und öffne die Tür, warte fünf Minuten, und versuche es erneut. Schließe während der Wartezeit von fünf Minuten immer das Gasventil. Wenn der Ooni Gasbrenner für Ooni Karu 12 sich nicht anzünden lässt und das Ventil geöffnet ist, entweicht weiterhin Gas aus dem Ooni Gasbrenner für Ooni Karu 12 und könnte sich versehentlich entzünden, was mit einer Verletzungsgefahr verbunden wäre.
4. Wenn zu irgendeinem Zeitpunkt ein Gasleck erkannt wird, SOFORT STOPPEN und die Feuerwehr anrufen. Austretendes Propangas kann zu Explosionen, Bränden, schweren Personenschäden oder zum Tod führen. Wenn du Gas riechst, (1) schalte das Gerät ab, (2) lösche offene Flammen und (3) wenn der Geruch anhält, halte dich von deinem Ooni Karu 12 Ofen fern und ruf sofort deinen Gaslieferanten oder die Feuerwehr an. Wenn du ein Gasleck nicht stoppen kannst, schließe sofort das LPG-Ventil (Propan) und ruf den LP-Gaslieferanten oder die Feuerwehr an. Wenn „wachsende“ Blasen im Zylinder erscheinen, verwende oder bewege das LPG (Propan) nicht. Wende dich an einen LP-Gaslieferanten oder die Feuerwehr.
5. Bewahre kein Benzin oder andere brennbare Flüssigkeiten oder Dämpfe in der Nähe deines Ooni Karu 12 Ofens oder seines Zubehörs auf. Stecke kein Werkzeug und keine Fremdkörper in den Ventilauslass oder in das Sicherheitsentlastungsventil. Du könntest das Ventil beschädigen und ein Leck verursachen. Versuche niemals, deinen Ooni Gasbrenner für Ooni Karu 12 an das in sich geschlossene LP-Gassystem eines Wohnmobilahängers oder Wohnmobils anzuschließen. Betreibe deinen Ooni Karu 12 Ofen niemals mit LPG (Propan) in einer anderen Position als der in den Montageanweisungen angegebenen. Schließe immer das LPG-Ventil (Propan), bevor du das LPG (Propan) aus der angegebenen Betriebsposition bewegst. Schalte die Steuerung und die Gasquelle oder den Tank aus, wenn sie nicht verwendet werden.
6. Verwende den Ooni Gasbrenner für Ooni Karu 12 wie gekauft, nur mit LPG (Propan oder Butan) und der mitgelieferten Regler-/Ventilbaugruppe. Versuche nicht, den Schlauch/das Ventil/den Regler bei einem „vermutlichen“ Defekt zu reparieren oder zu ändern. Jede Änderung an dieser Baugruppe ist mit der Gefahr eines Gaslecks oder eines Brandes verbunden. Verwende nur autorisierte Ersatzteile, die von Ooni Limited geliefert werden. Bewahre niemals LPG (Propan) unter dem oder in der Nähe deines Ooni Karu 12 Ofens oder in einem geschlossenen Bereich auf. LPG (Propan), das nicht zur Verwendung angeschlossen ist, darf nicht in der Nähe deines Ooni Karu 12 Ofens oder eines anderen Geräts gelagert werden.
7. Du darfst dein Gasbrenner-Aufsatzteil für den Ooni Karu 12 in Verbindung mit deinem Ooni Karu 12 Ofen nur mit vorabgefülltem LPG (Propan) verwenden.

Unsachgemäß gelagertes LPG (Propan) birgt die Gefahr einer möglichen Gasfreisetzung aus dem Sicherheitsventil. Dies kann zu einem heftigen Brand mit der Gefahr von Sachschäden, schweren Verletzungen oder Tod führen. Wenn du siehst, riechst oder hörst, dass Gas entweicht, entferne dich sofort vom LPG (Propan)/Gerät und ruf die Feuerwehr an.

OOINI LIMITED, OOINI INC UND OOINI GMBH ÜBERNEHMEN KEINE RECHTLICHE ODER SONSTIGE VERANTWORTUNG FÜR NEBEN- ODER FOLGESCHÄDEN AN EIGENTUM ODER PERSONEN, DIE AUS EINER NUTZUNG DES AUFSATZTEILS FÜR DEN OOINI GASBRENNER FÜR OOINI KARU 12 ENTSTEHEN, DIE EINER DER BESTIMMUNGEN DIESES RECHTLICHEN HAFTUNGSAUSSCHLUSSES WIDERSPRICHT.

OOINI LIMITED, OOINI INC UND OOINI GMBH HAFTEN IN KEINEM FALL FÜR INDIREKTE, SONDER-, FOLGE- ODER SONSTIGE SCHÄDEN JEGLICHER ART, DIE ÜBER DEN URSPRÜNGLICHEN KAUFPREIS DEINES AUFSATZTEILS FÜR DEN OOINI GASBRENNER FÜR OOINI KARU 12 HINAUSGEHEN.

Manche Bundesstaaten oder Länder erlauben den Ausschluss oder die Begrenzung von Neben- oder Folgeschäden nicht, daher gelten solche Einschränkungen oder Ausschlüsse möglicherweise nicht für dich.

Sicherheitsinformationen

- Lies dir die Bedienungsanleitung vollständig durch, bevor du das Gerät benutzt.
- Nur für den Einsatz im Freien.
- Warnung! Zugängliche Teile können sehr heiß werden.
- Warnung! Vergewissere dich vor Gebrauch, dass die Beine des Ooni Karu 12 vollständig ausgefahren sind.
- Warnung! Zum Vermeiden elektrischer Stromschläge darf die Spitze der Elektrode beim Zünden des Brenners nicht berührt werden.
- Warnung! Deckenluftauslass und Kaminabzug während des Gebrauchs nicht verstellen.
- Warnung! Von heißer Abluft aus dem Kamin fernhalten.
- Warnung! Bitte Sorge dafür, dass der Abstand zwischen den Kanten der Ofenbeine und der Kante der Tischoberfläche stets mindestens 3,5 Zoll / 90 mm beträgt.
- Halte kleine Kinder fern.
- Verschiebe das Gerät während der Verwendung nicht.
- Schalte die Gaszufuhr nach Gebrauch an der Gasflasche aus.
- Ändere nichts am Gerät.
- Vom Hersteller oder Händler versiegelte Teile dürfen vom Anwender nicht manipuliert werden.
- Verwende beim Umgang mit heißen Komponenten immer Schutzhandschuhe.
- Die Lagerung eines Gerätes im Innenbereich ist nur zulässig, wenn der Zylinder abgetrennt und vom Gerät entfernt wird. Wenn das Gerät über einen bestimmten Zeitraum nicht verwendet wird, sollte es vom Ofen entfernt und in seiner Originalverpackung in einer trockenen staubfreien Umgebung gelagert werden.
- VORSICHT: Jegliche Reinigungs- und Wartungsarbeiten sollten nur dann durchgeführt werden, wenn der Ofen kühl ist und die Brennstoffzufuhr an der Gasflasche ausgeschaltet und diese abgetrennt ist.
- PRÜFE VOR DER BENUTZUNG DAS GERÄT UND DIE VERBINDUNGEN AUF LECKS: Führe die Überprüfung auf Lecks niemals mit einer offenen Flamme aus; verwende immer eine Seifenwasserlösung. Prüfung auf Lecks: Bei jedem Anschluss oder wenn das Gerät längere Zeit nicht verwendet wurde, sollte eine Dichtheitsprüfung durchgeführt werden. Stelle sicher, dass das Ventil in der richtigen Ausrichtung mit dem Venturi ist. Stelle sicher, dass der Schlauch keine Risse oder Kerben hat. WICHTIG: Wenn du ein Gasleck nicht stoppen kannst, schalte das Gastankventil aus und ruf deinen örtlichen Gastankhändler oder die Feuerwehr an.
- Das Gerät muss während des Gebrauchs von brennbaren Materialien ferngehalten werden.
- Achte beim Wechsel der Gasflasche darauf, dass der Knopf des Ooni Gasbrenners für Ooni Karu 12 in die AUS-Position gedreht wird. Trenne den Regler von der Gasflasche und entferne die Flasche. Stelle während dieses Vorgangs sicher, dass die Gasflasche mindestens einen Meter vom Ofen entfernt bleibt, um eine Entzündungsgefahr zu vermeiden.



Stehe beim Anzünden auf der Seite – schau niemals direkt in den Ofen oder auf die Flamme.



Der mitgelieferte Gasregler ist möglicherweise nicht für den Einsatz in deinem Gebiet oder deiner Region geeignet. Weitere Informationen findest du in deinen örtlichen Vorschriften.

Schritt 1

Schlauchrohr einbauen (falls erforderlich)

Die Regler und Schlauchanschlüsse unterscheiden sich je nach Region.

Wenn dein Ooni Gasbrenner für den Ooni Karu 12 ein offenes Schlauchende mit einem Gewinde hat, folge Schritt 1a.

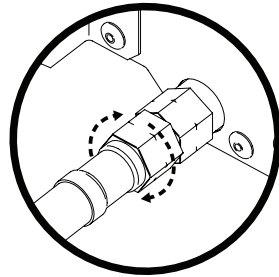
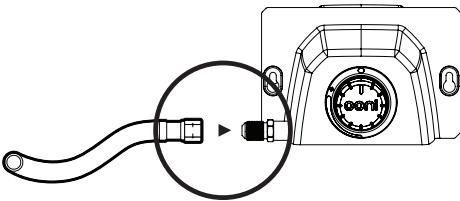
Wenn dein Ooni Gasbrenner für den Ooni Karu 12 eine Gewindetülle und einen normalen Schlauch mit Schlauchclip hat, folge Schritt 1b und dann 1c.

Wenn dein Ooni Gasbrenner für den Ooni Karu 12 einen normalen Schlauch mit Schlauchclip hat, folge Schritt 1c.

Wenn dein Ooni Karu 12 Gasbrenner über einen vorinstallierten Schlauch verfügt, fahre mit Schritt 2 fort.

Schritt 1a

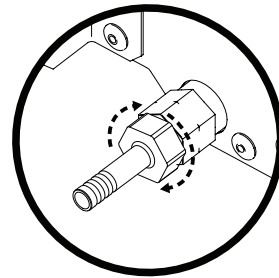
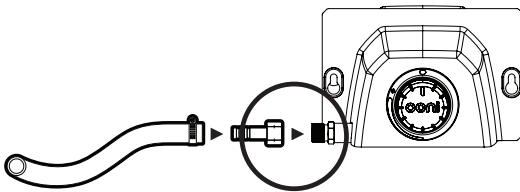
Mit geeigneten Schraubenschlüsseln festziehen.



! In der EU gegen den Uhrzeigersinn festdrehen.

Schritt 1b

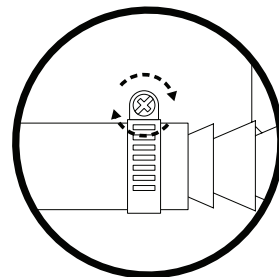
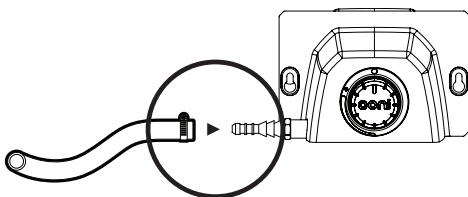
Mit geeigneten Schraubenschlüsseln festziehen, dann Schritt 1c folgen.



! In der EU gegen den Uhrzeigersinn festdrehen.

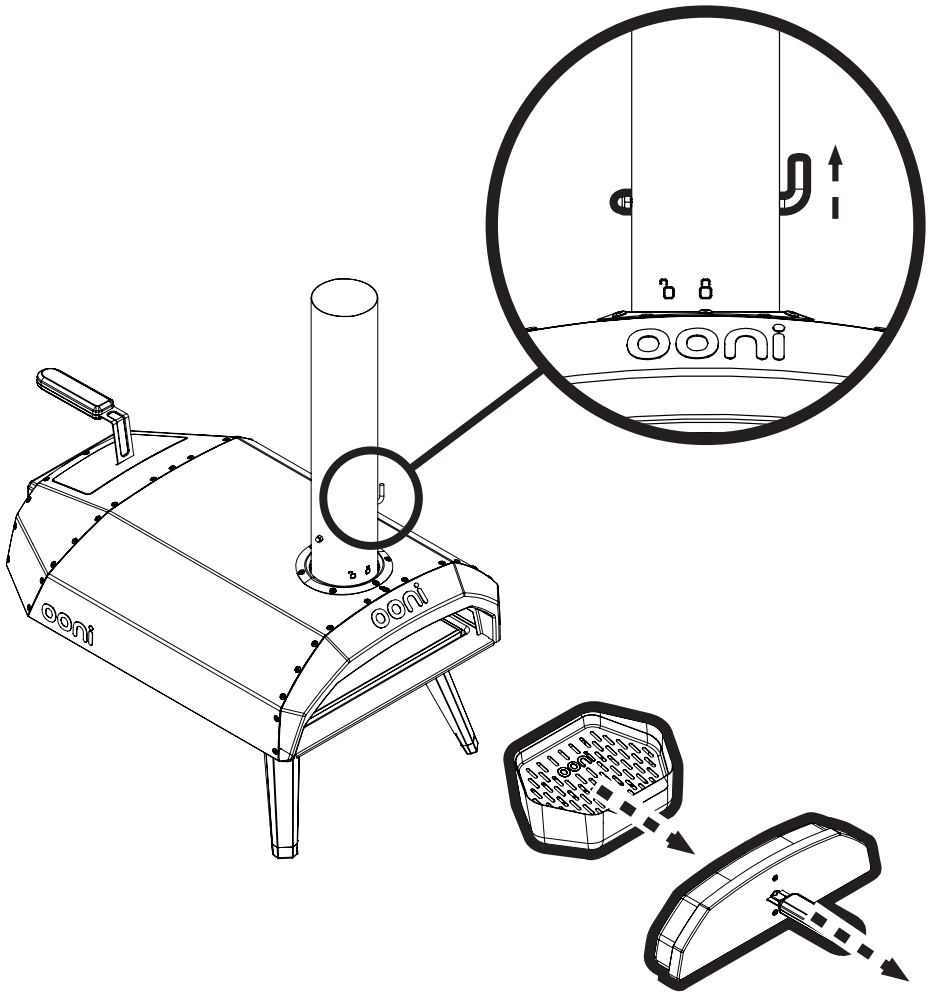
Schritt 1c

Mit geeignetem Schraubendreher festziehen.

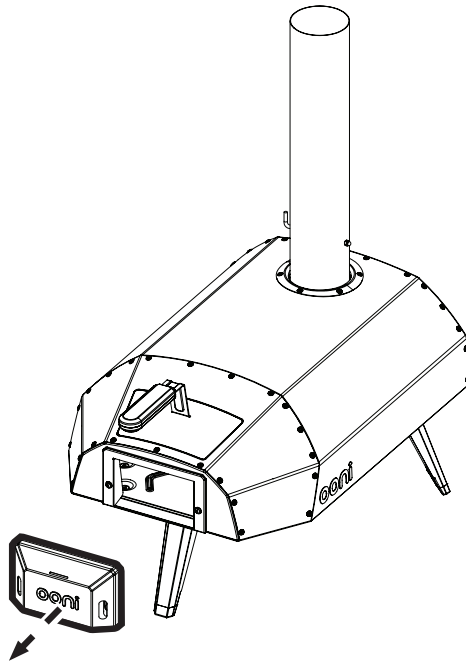
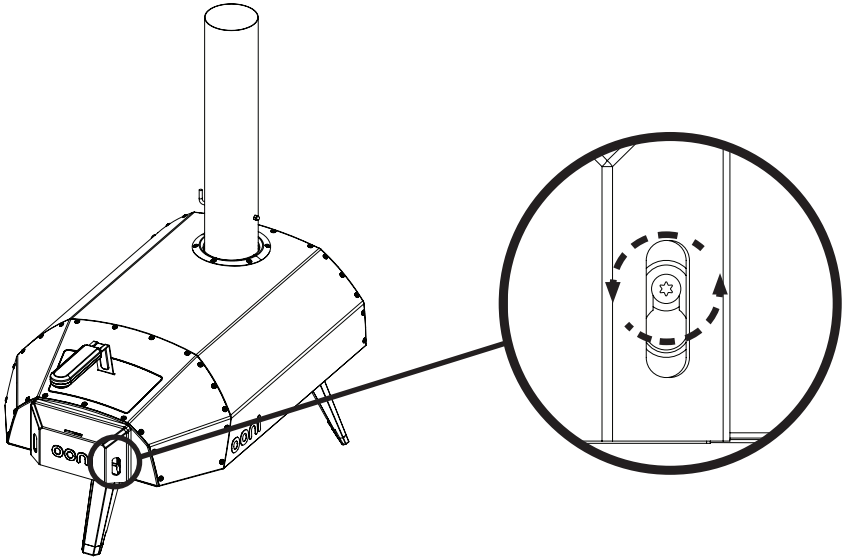


Schritt 2

Entferne die Tür und die Brennstoffschale und stelle sicher, dass die Kaminklappe geöffnet ist.

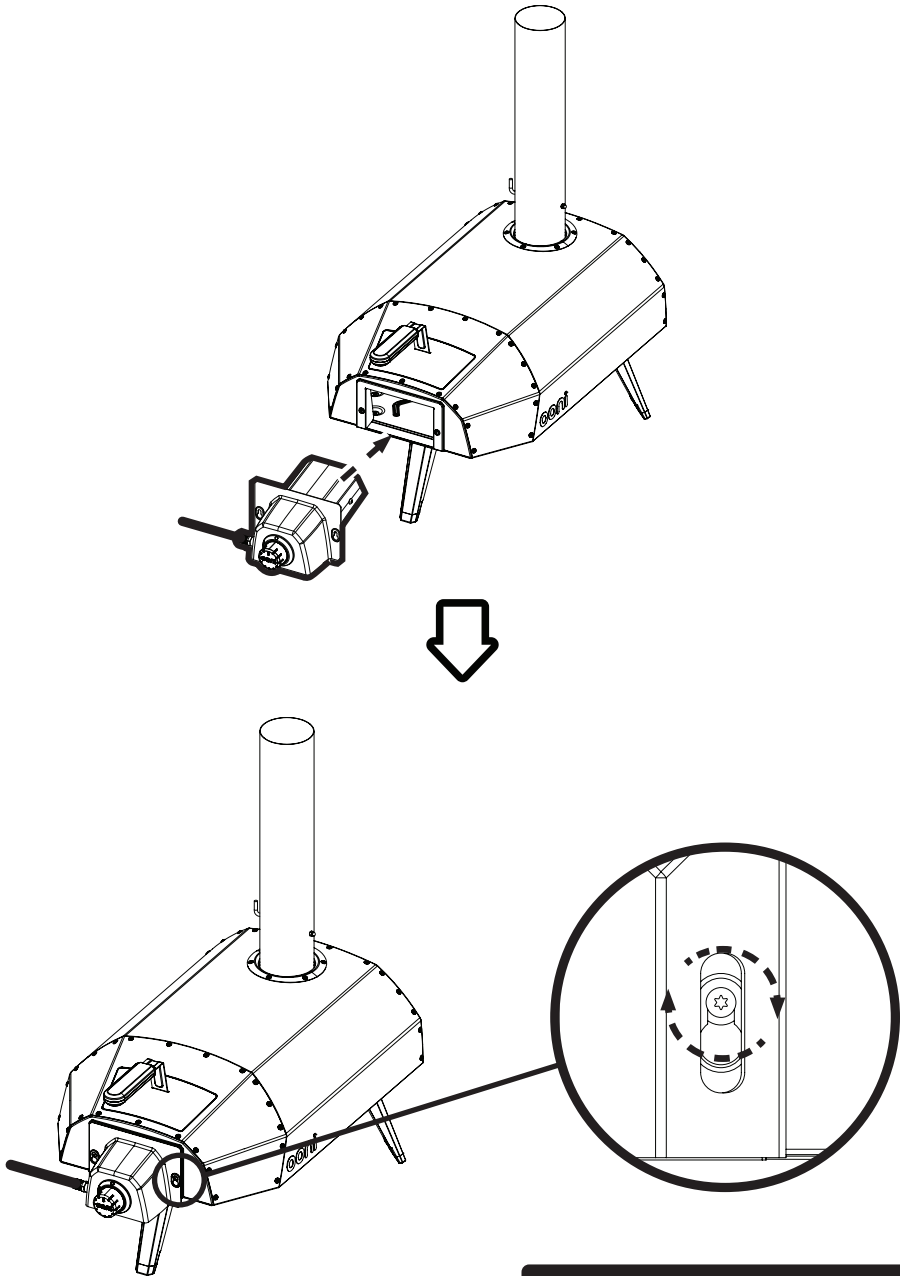


Schritt 3
Entferne die Luftzugschutzklappe.



4. Schritt

Ooni Gasbrenner für den Ooni Karu 12 hinzufügen

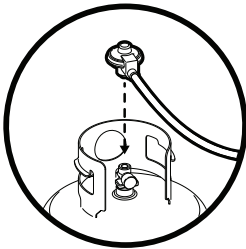


! Ziehe die Schrauben fest, aber überdrehe sie nicht.

Schritt 5

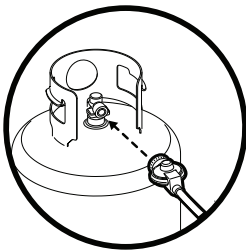
Die Gasflasche anschließen.

Die Regler variieren je nach Region.



Patio-Gasregler

Dies ist ein Gasanschluss zum Einstecken. Stelle sicher, dass sich der schwarze Schalter in einer waagrechten Stellung befindet. Drücke die Taste unterhalb des schwarzen Schalters und drücke den Regler auf das Tankventil auf, bis er einrastet.

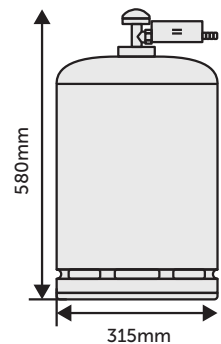


POL-Gasregler

Dies ist ein Gasanschluss mit einem Schraubgewinde gegen den Uhrzeigersinn. Stelle sicher, dass der Tank vollständig ausgeschaltet ist, und schraube den Regler auf den Gastankventilanschluss, bis er festgezogen ist.

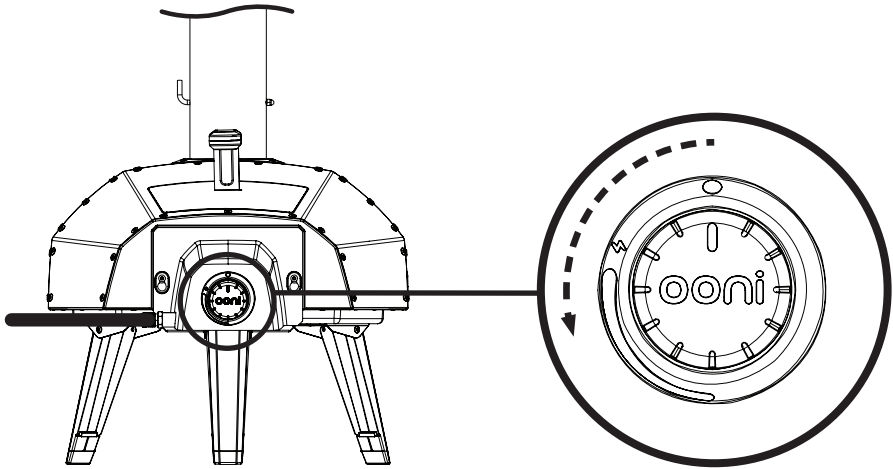
Gassicherheitsinformationen

- Das Gerät muss mindestens einen Meter von brennbaren Materialien entfernt aufgestellt sein.
- Der Ofen sollte auf eine nicht brennbare, stabile und flache Oberfläche gestellt werden.
- Stelle sicher, dass dein Ofen in einem Bereich platziert ist, der nicht widrigen Wetterbedingungen ausgesetzt ist.
- Das Gerät darf nur mit Propan LPG verwendet werden. Die Mindestkapazität des Zylinders beträgt 4 kg, seine maximale Kapazität ist 13 kg.
- Verwende einen geeigneten, nach EN 16129 zertifizierten Regler und einen nach EN 16436 zertifizierten flexiblen Schlauch.
- Die Länge des Schlauches darf nicht mehr als 1,5 Meter betragen. Ein verschlissener oder beschädigter Schlauch muss ausgetauscht werden. Stelle sicher, dass der Schlauch nicht behindert, geknickt oder mit einem anderen Teil des Ofens als dem Anschluss in Berührung gekommen ist.
- Der Gaszufuhrschlauch sollte regelmäßig überprüft und bei Beschädigung oder mindestens alle zwei Jahre ausgetauscht werden.
- Die nationalen Anforderungen deines Landes werden dich darüber informieren, wie oft du den Schlauch austauschen musst. Überprüfe diese Anforderungen für dein Land regelmäßig.
- Bei blockierten Venturi schalte die Brenneinheit sofort aus, schalte die Gaszufuhr aus, trenne den Gasschlauch von der Gasflasche ab und warte, bis der Ofen abgekühlt ist, um dann den Schlauch vom Ofen zu entfernen.
- Stelle sicher, dass das Gerät vor jedem Gebrauch frei von Schmutz ist. Wenn sich Schmutz ansammelt, verwende eine Bürste, um ihn zu entfernen, wenn das Gerät abgekühlt ist.

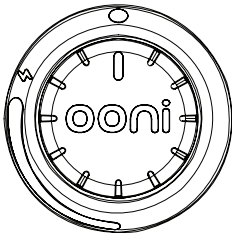


Schritt 6 Anzünder

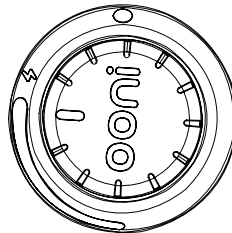
1. Schalte das Gas auf der Gasflasche ein.
2. Drücke den Knopf und drehe ihn gegen den Uhrzeigersinn, bis er klickt. Drehe ihn nicht zu schnell. Vom Drücken bis zum Klicken sollten etwa drei Sekunden vergehen.
3. Halte den Knopf fünf Sekunden lang gedrückt und lasse ihn dann los.



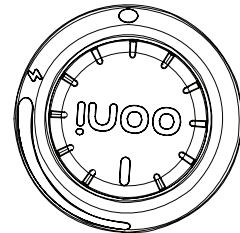
Aus



Maximale Leistung



Minimale Leistung

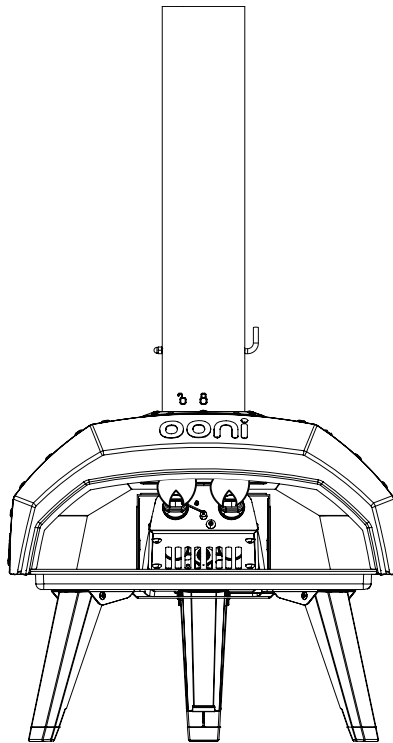


Stehe beim Anzünden in sicherem Abstand von der Tür – stelle sicher, dass sich niemand näher als 1 Meter (3 Fuß) zur Vorderseite des Ofens aufhält. Bleib beim Anzünden mindestens eine Armlänge vom Ofen entfernt und lehne dich beim Anzünden nicht über den Ofen.

Schritt 7

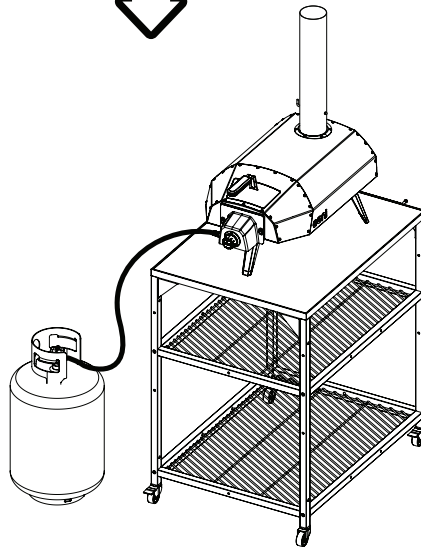
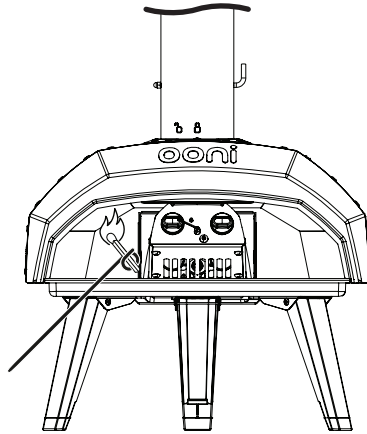
Vergewissere dich, dass der Gasbrenner eingeschaltet ist.

1. Wenn nicht, schalte das Gas aus und gehe zurück zu Schritt 6.
2. Wenn sich der Brenner immer noch nicht anzünden lässt, fahre mit Schritt 8 fort.



Schritt 8 Anzünden – mit einem Streichholz

Wenn sich der Brenner immer noch nicht entzündet, schalte das Gas ein und zünde ihn mit einem Streichholz und mithilfe des mitgelieferten Streichholzhalters durch die Vorderseite des Ofens an. Halte das Streichholz vor die Brennerdüsen. Drücke und drehe den Knopf wie in Schritt 6 beschrieben.



⚠ Richte den Gasschlauch immer weg vom Ofen aus. Der Schlauch darf nicht den Ofenkörper berühren.

⚠ Wenn die Flammen ausgehen, schalte das Gas aus und warte fünf Minuten, bevor du das Gerät wieder anzündest.

Fehlerbehebung







Problem	Mögliche Ursache	Vorbeugung / Lösung
Mein Ofen wird nicht heiß genug.	<ol style="list-style-type: none"> 1. Leere Gasflasche 2. Risse oder Leck am Schlauch 3. Regler falsch angebracht 4. Betrieb unter extremen Bedingungen 	<ol style="list-style-type: none"> 1. Überprüfe, ob die Gasflasche voll ist. Auch eine Flasche mit wenig Gas im Inneren kann die Leistung des Gasbrenners beeinträchtigen. 2. Stelle sicher, dass keine Risse oder Lecks am Schlauch vorhanden sind. 3. Stelle sicher, dass der Regler ordnungsgemäß an der Gasflasche befestigt ist und der Schlauch fest am Gasbrenner angebracht ist, also mit entsprechenden Schraubenschlüsseln in geeigneter Größe festgezogen wurde, wie es in der Bedienungsanleitung beschrieben ist. 4. Dein Gasbrenner und Backofen sollte nicht unter extremen Bedingungen (z. B. bei starkem Wind) verwendet werden.
Mein Gasbrenner lässt sich nicht anzünden.	<ol style="list-style-type: none"> 1. Unsachgemäße Aufstellung 2. Leere Gasflasche 3. Risse oder Leck am Schlauch 4. Unsachgemäße Anzündmethode 5. Regler falsch angebracht 6. Unsachgemäße Einstellung des Anzünders 	<ol style="list-style-type: none"> 1. Stelle sicher, dass die Schornsteinkappe entfernt wurde und die Deckenöffnungen und die Schornsteinöffnung geöffnet sind. Die Tür sollte geöffnet sein. 2. Überprüfe, ob die Gasflasche voll ist. Auch eine Flasche mit wenig Gas im Inneren kann die Leistung des Gasbrenners beeinträchtigen. 3. Stelle sicher, dass keine Risse oder Lecks am Schlauch vorhanden sind. 4. Wenn der Knopf zu schnell gedreht wird, kann dies den Gasbrenner vom Zünden abhalten. 5. Stelle sicher, dass der Regler ordnungsgemäß an der Gasflasche befestigt ist und der Schlauch fest am Gasbrenner angebracht ist, also mit entsprechenden Schraubenschlüsseln in geeigneter Größe festgezogen wurde, wie es in der Bedienungsanleitung beschrieben ist. 6. Bewege die Spitze des Anzünders 2-3 mm weg von der Vorderseite der Brennerkappe.
Meine Flamme ist zu gelb / zu blau.	Die Umgebungsbedingungen, das Essen, das du zubereitest, die Umgebungstemperatur und der Zustand deines Ooni-Ofens können die Farbe der Flamme beeinflussen.	Die Farbe deiner Flamme wird den Geschmack oder die Qualität deines Essens nicht beeinträchtigen.
Mein FSD funktioniert nicht richtig.	Auf meiner FSD-Sonde sammelt sich Ruß an.	Stelle sicher, dass der Gasbrenner und die Gasversorgung ausgeschaltet sind, warte, bis der Brenner abgekühlt ist, reinige die Sonde und die Brennerlöcher vorsichtig mit einem feuchten Tuch und lass den Brenner vor dem erneuten Anzünden vollständig trocknen.
Der Gasbrenner für Ooni kann seine Flamme nicht aufrechterhalten.	<ol style="list-style-type: none"> 1. Sauerstoffmangel. 2. Ofen ist auf einer unebenen Oberfläche platziert. 	<ol style="list-style-type: none"> 1. Öffne die Schornsteinöffnung deines Ooni Pro, um einen besseren Luftstrom durch den Ofen zu fördern. 2. Wenn dein Ooni beim Einrichten schräg steht, strömt der Sauerstoff nicht so gut. Versuche, ihn auf einer ebenen Fläche aufzustellen.
Ich höre ein „brüllendes Geräusch“ aus dem Gasbrenner und die Flammen sind sehr schwach.	Flamme brennt innerhalb der Venturi.	Schalte die Gasversorgung und den Gasbrenner sofort aus, warte fünf Minuten und zünde den Gasbrenner wieder an.

Technische Angaben zum Produkt

Modellnummer

Ooni Karu 12 Gasbrenner

Produktetikett

ooni		CE 2531-21 2531DM-0024	
Ooni GmbH, Simrockstraße 11, 53113 Bonn, Germany		I3+ (28-30/37)	
Ooni Karu 12 Gas Burner		28-30 mbar	37 mbar
5.3 kW, 386g/h 0.81 mm * 2		Butane Butan Butano	Propane Propan Propano
BE, CH, ES, FR, GB, IE, IT, LU, PT			
EN: Use outdoors only. Read the instructions before using the appliance. WARNING: accessible parts may be very hot. Keep young children away. This appliance must be kept away from flammable materials during use. Do not move the appliance during use. Turn off the gas supply at the gas cylinder after use. Do not modify the appliance.		DE: Nur im Freien verwenden. Lies dir die Bedienungsanleitung vollständig durch, bevor du das Gerät benutzt. WARNUNG: Zugängliche Teile können sehr heiß werden. Halte kleine Kinder fern. Dieses Gerät muss während des Gebrauchs von brennbaren Materialien ferngehalten werden. Verschiebe das Gerät während der Verwendung nicht. Schalte die Gaszufuhr nach Gebrauch an der Gasflasche aus. Ändere nichts am Gerät.	
 Stand to side when relighting - never look directly into the oven or at the flame.		 Stehe beim Anzünden auf der Seite – schau niemals direkt in den Ofen oder auf die Flamme.	
ES: Uso al aire libre exclusivamente. Lea las instrucciones antes de usar el aparato. ADVERTENCIA: las piezas accesibles pueden estar muy calientes. Mantenga alejados a los niños. Este aparato debe mantenerse alejado de cualquier material inflamable durante su uso. No mueva el aparato mientras esté en uso. Cierre el suministro de gas en la bombona después de su uso. No modifique el aparato.		FR: Usage en extérieur uniquement. Lis ces instructions avant d'utiliser l'appareil. AVERTISSEMENT : les parties accessibles peuvent être très chaudes. Les jeunes enfants doivent être tenus à l'écart. Cet appareil doit être tenu à l'écart de tout matériau inflammable pendant son utilisation. Ne déplace pas l'appareil durant l'utilisation. Coupe l'alimentation en gaz au niveau de la bombonne de gaz après utilisation. N'apporte aucune modification à l'appareil.	
 Colóquese a un lado cuando vuelva a encenderlo, nunca mire directamente al horno o a la llama.		 Tiens-toi sur le côté lors du réallumage. Ne regarde jamais directement la flamme ou l'intérieur du four.	
IT: Utilizzalo esclusivamente all'aria aperta. Prima di utilizzare il dispositivo, leggi le istruzioni. ATTENZIONE: le parti accessibili possono essere molto calde. Tieni i bambini a distanza di sicurezza. Durante l'uso il dispositivo deve essere tenuto a distanza da qualsiasi materiale infiammabile. Non spostare il dispositivo durante l'uso. Chiudi il gas sulla bombola dopo l'uso. Non alterare il dispositivo.		PT: Utilize apenas ao ar livre. Leia as instruções antes de utilizar o aparelho. AVISO: as partes acessíveis podem estar muito quentes. Manter afastado das crianças. Deve-se manter este aparelho afastado de materiais inflamáveis durante a sua utilização. Não mova o aparelho durante a sua utilização. Desligue o fornecimento de gás na botija de gás após a sua utilização. Não modifique o aparelho.	
 Mettiti da un lato durante la riaccensione, e non guardare mai direttamente verso il forno o la fiamma.		 Afaste-se um pouco quando reacender - nunca olhe diretamente para o forno ou para a chama.	

Injektoren

Injektorkennzeichnung: **0,81 mm**

Kennzeichnung: **0,81**

Wenn der Durchmesser des Injektors 0,81 mm ist, verwende den mitgelieferten 37-mbar-Regler mit der Propan-LPG-Flasche.

Descargo de responsabilidad legal sobre seguridad: debe leerse por completo antes de usar el producto.

Lea el presente descargo de responsabilidad legal íntegramente antes de montar, instalar y utilizar la pieza de conexión del quemador de gas Ooni para el Ooni Karu 12 conectada a su horno Ooni Karu 12. El incumplimiento de alguna de las estipulaciones del presente descargo de responsabilidad legal podría resultar en daños materiales, lesiones graves o incluso la muerte, o en un incendio que cause daños a la propiedad.

1. Cuando utilice el horno Ooni Karu 12 junto con la pieza de conexión del quemador de gas Ooni para el Ooni Karu 12, tenga en cuenta que (1) la pieza de conexión del quemador de gas Ooni para el Ooni Karu 12 solo debe utilizarse con su horno Ooni, lo que excluye cualquier otro aparato, y (2) la totalidad de las disposiciones del Descargo de responsabilidad legal sobre seguridad del horno Ooni Karu 12 también se aplica al uso de la pieza de conexión del quemador de gas Ooni para el Ooni Karu 12, además de las disposiciones del presente Descargo de responsabilidad legal sobre seguridad. Se recomienda encarecidamente que no utilice su horno Ooni Karu 12 con la pieza de conexión del quemador de gas Ooni para el Ooni Karu 12 hasta que su horno Ooni Karu 12 se haya sometido a una prueba de fugas de gas completa y adecuada.
2. Los derivados de la combustión, producidos al utilizar el horno Ooni Karu 12 con la pieza de conexión del quemador de gas Ooni para el Ooni Karu 12, contienen carbono y monóxido de carbono en los gases de escape del quemador de gas Ooni para el Ooni Karu 12; estas sustancias, si se inhalan en interiores o en cualquier otra zona sin ventilación, son conocidas como una posible causa de muerte por asfixia o intoxicación por monóxido de carbono.
3. Si el quemador de gas Ooni para el Ooni Karu 12 no se enciende, ponga los mandos en posición de apagado (OFF), espere 5 minutos y vuelva a intentarlo. Cierre siempre la válvula de gas durante el período de espera de 5 minutos. Si el quemador de gas Ooni para el Ooni Karu 12 no se enciende con la válvula abierta, el gas seguirá saliendo del quemador de gas Ooni para el Ooni Karu 12 y podría prender accidentalmente con el consiguiente riesgo de sufrir lesiones.
4. Si se detecta una fuga de gas en cualquier momento, PARE y llame a los bomberos. Las fugas de propano pueden provocar una explosión, un incendio, lesiones personales graves o la muerte. Si detecta olor a gas (1) cierre el gas del aparato, (2) apague cualquier llama abierta y (3) si el olor persiste, manténgase alejado de su horno Ooni Karu 12 y llame inmediatamente a su proveedor de gas o a los bomberos. Si no puede detener una fuga de gas, cierre inmediatamente la válvula de GLP (propano) y llame al proveedor de gas LP o a los bomberos. Si aparecen burbujas «crecientes» en la bombona, no utilice ni mueva el GLP (propano). Póngase en contacto con el proveedor de gas LP o con los bomberos.
5. No almacene ni utilice gasolina u otros líquidos o vapores inflamables cerca de su horno Ooni Karu 12 ni de ningún otro aparato. No introduzca ninguna herramienta u objeto extraño en la salida de la válvula ni en la válvula de seguridad. Puede dañar la válvula y provocar una fuga. Nunca intente conectar su quemador de gas Ooni para el Ooni Karu 12 al sistema de gas LP autónomo de una caravana o autocaravana. Nunca opere su horno Ooni Karu 12 con el GLP (propano) en otra posición que no sea la especificada en las instrucciones de montaje. Cierre siempre la válvula de GLP (propano) antes de mover el GLP (propano) de la posición de funcionamiento especificada. Ponga los mandos y la fuente de gas o el tanque en la posición de apagado (OFF) cuando no esté en uso.
6. Utilice el quemador de gas Ooni para el Ooni Karu 12, tal como lo compró, solo con GLP (propano) y el conjunto de regulador y válvula suministrado. No intente reparar o modificar el tubo flexible, la válvula o el regulador por cualquier «supuesto» defecto. Cualquier modificación de este conjunto conlleva riesgo de fuga de gas e incendio. Use únicamente piezas de repuesto autorizadas suministradas por Ooni Limited. NUNCA almacene un repuesto de GLP (propano) debajo o cerca de su horno Ooni Karu 12 o en una zona cerrada. El GLP (propano) que no esté conectado para su uso no debe almacenarse cerca de su horno Ooni Karu 12 ni de ningún otro aparato.
7. Deberá utilizar la pieza de conexión del quemador de gas Ooni para el Ooni Karu 12 en su horno Ooni Karu 12 únicamente con GLP (propano) envasado.

El GLP (propano) mal almacenado es un peligro debido a la posible liberación de gas por la válvula de seguridad. Esto podría provocar un gran incendio con riesgo de daños materiales, lesiones graves o la muerte. Si ve, huele o escucha una fuga de gas, aléjese inmediatamente del aparato o del GLP (propano) y llame a los bomberos.

OONI LIMITED, OONI INC O OONI GMBH NO ACEPTAN NINGUNA RESPONSABILIDAD, LEGAL O DE OTRO TIPO, POR LOS DAÑOS INCIDENTALES O CONSECUENTES A LA PROPIEDAD O A LAS PERSONAS QUE RESULTEN DEL USO DE LA PIEZA DE CONEXIÓN DEL QUEMADOR DE GAS OONI PARA EL OONI KARU 12 QUE NO CUMPLA O NO HAYA CUMPLIDO ALGUNA DE LAS DISPOSICIONES DEL PRESENTE DESCARGO DE RESPONSABILIDAD LEGAL SOBRE SEGURIDAD.

OONI LIMITED, OONI INC O OONI GMBH NO SERÁN EN NINGÚN CASO RESPONSABLES DE NINGÚN DAÑO ESPECIAL, INDIRECTO, CONSECUENTE O DE CUALQUIER OTRA NATURALEZA QUE SUPERE EL PRECIO ORIGINAL DE COMPRA DE LA PIEZA DE CONEXIÓN DEL QUEMADOR DE GAS OONI PARA EL OONI KARU 12.

Algunos estados o países no permiten la exclusión o limitación de los daños incidentales o consecuentes, por lo que dichas limitaciones o exclusiones pueden no aplicarse en su caso.

Información de seguridad

- Lea las instrucciones antes de usar el aparato.
- Solo para uso al aire libre.
- ¡Advertencia! Las piezas accesibles pueden estar muy calientes.
- ¡Advertencia! Asegúrese de que las patas del Ooni Karu 12 estén totalmente extendidas antes de usar
- ¡Advertencia! Para evitar descargas eléctricas, no toque la punta del electrodo cuando encienda el quemador.
- ¡Advertencia! No ajuste el conducto de ventilación del techo ni el de la chimenea durante el uso.
- ¡Advertencia! Manténgase alejado de los gases de escape calientes que emanan de la chimenea.
- ¡Advertencia! Asegúrese de que haya una distancia mínima de 90 mm entre los bordes de cualquiera de las patas del horno y el borde de la superficie de la mesa.
- Mantenga alejados a los niños.
- No mueva el aparato mientras esté en uso.
- Cierre el suministro de gas en la bombona después de su uso.
- No modifique el aparato.
- El usuario no debe manipular las piezas selladas por el fabricante o el agente.
- Utilice siempre guantes de protección cuando manipule componentes calientes.
- El almacenamiento de un aparato en el interior solo está permitido si la bombona está desconectada y retirada del aparato. Cuando el aparato no se utilice durante un periodo de tiempo prolongado, debe sacarse del horno y guardarse en su embalaje original en un entorno seco y sin polvo.
- PRECAUCIÓN: Toda la limpieza y el mantenimiento deben realizarse cuando el horno esté frío y con el suministro de combustible cerrado en la bombona de gas y desconectado.
- ANTES DE USAR EL APARATO, COMPRUEBE QUE NO HAYA FUGAS EN LAS CONEXIONES: No compruebe nunca las fugas con una llama abierta, utilice siempre una solución de agua jabonosa. Prueba de estanqueidad: realice una prueba de estanqueidad cada vez que se conecte un nuevo depósito de gas o después de un largo periodo sin haber utilizado el aparato. Asegúrese de que la válvula esté correctamente alineada con el venturi. Asegúrese de que el tubo flexible no tenga grietas ni roturas. IMPORTANTE: Si no puede detener una fuga de gas, cierre la válvula del depósito de gas y llame a su distribuidor local de depósitos de gas o a los bomberos.
- El aparato debe mantenerse alejado de cualquier material inflamable durante su uso.
- Cuando cambie la bombona de gas, asegúrese de que el mando del quemador de gas Ooni para el Ooni Karu 12 esté girado hasta la posición de apagado, desconecte el regulador de la bombona de gas y retire la bombona. Durante todo este proceso, asegúrese de que la bombona se mantenga a un mínimo de 1 metro de distancia del horno para evitar riesgos de ignición.



Colóquese a un lado cuando vuelva a encenderlo, nunca mire directamente al horno o a la llama.



Es posible que el regulador de gas suministrado no sea adecuado para su territorio o región, consulte la normativa local para obtener más información.

Paso 1

Instalar el tubo flexible (si es necesario)

Los reguladores y las conexiones de los tubos flexibles varían en función de su región.

Si su quemador de gas Ooni para el Ooni Karu 12 tiene un extremo de tubo flexible hembra con rosca, siga el paso 1a.

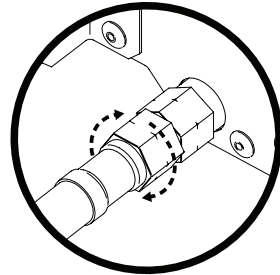
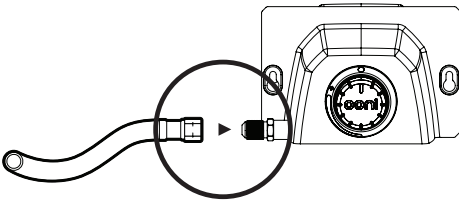
Si su quemador de gas Ooni para el Ooni Karu 12 tiene un extremo roscado y un tubo flexible normal con una pinza para tubo, siga el paso 1b y luego el 1c.

Si su quemador de gas Ooni para el Ooni Karu 12 tiene un tubo flexible normal con una pinza para tubo siga el paso 1c.

Si su quemador de gas Ooni para el Ooni Karu 12 tiene el tubo flexible preinstalado continúe con el paso 2.

Paso 1a

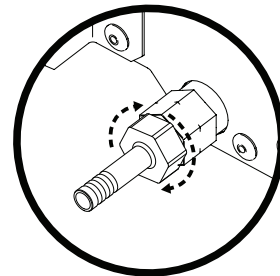
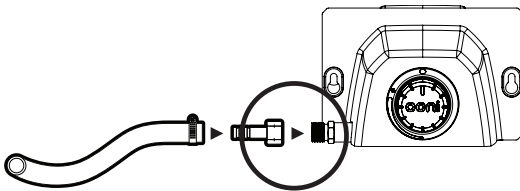
Apretar con las llaves adecuadas



! Apriete en sentido contrario a las agujas del reloj en la UE.

Paso 1b

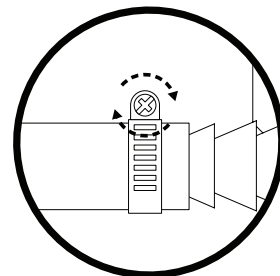
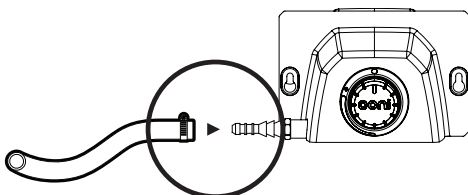
Apretar con las llaves adecuadas y seguir el paso 1c.



! Apriete en sentido contrario a las agujas del reloj en la UE.

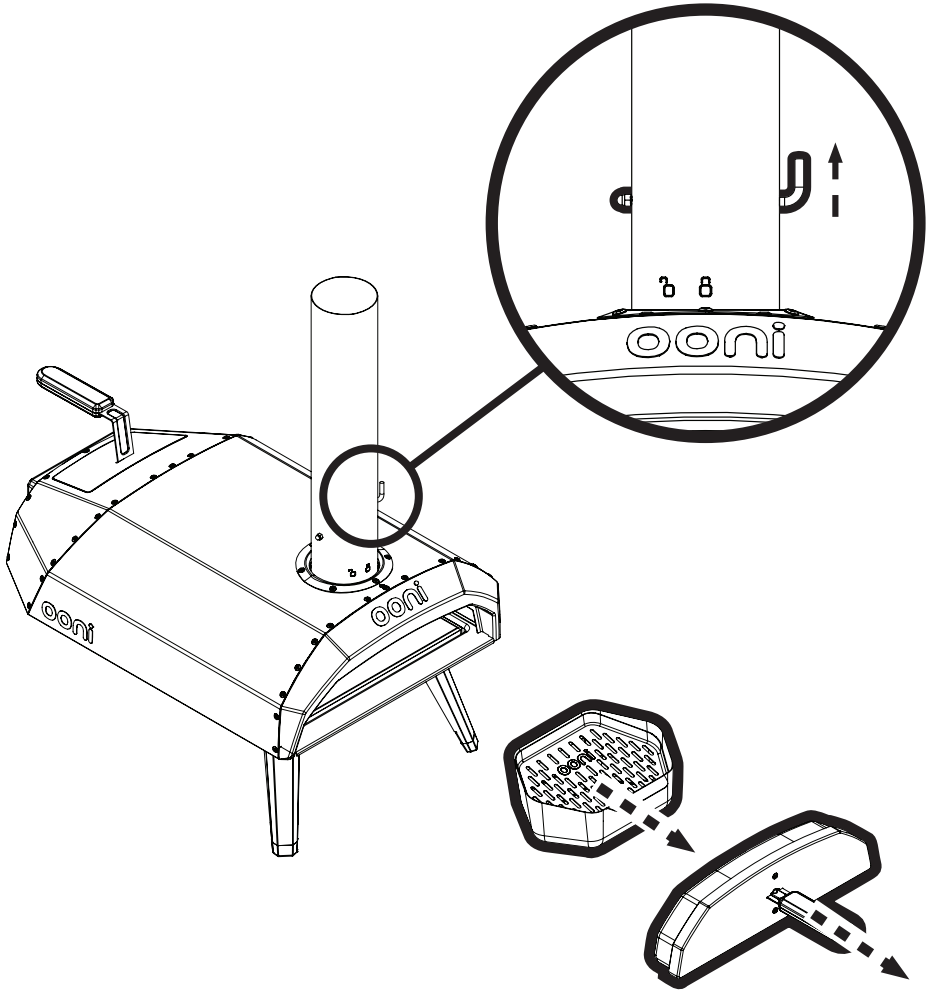
Paso 1c

Apretar con el destornillador adecuado.



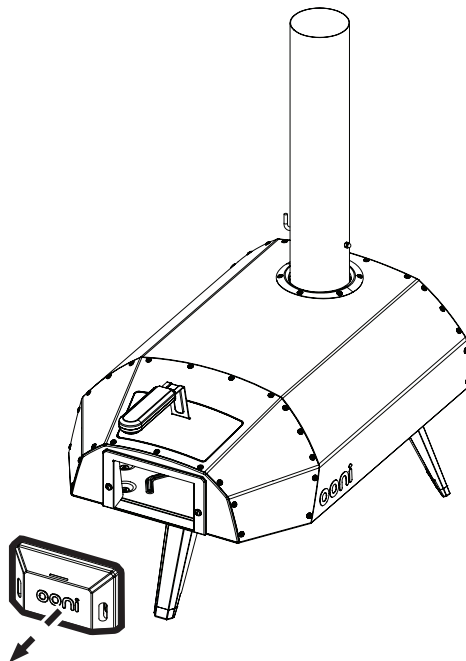
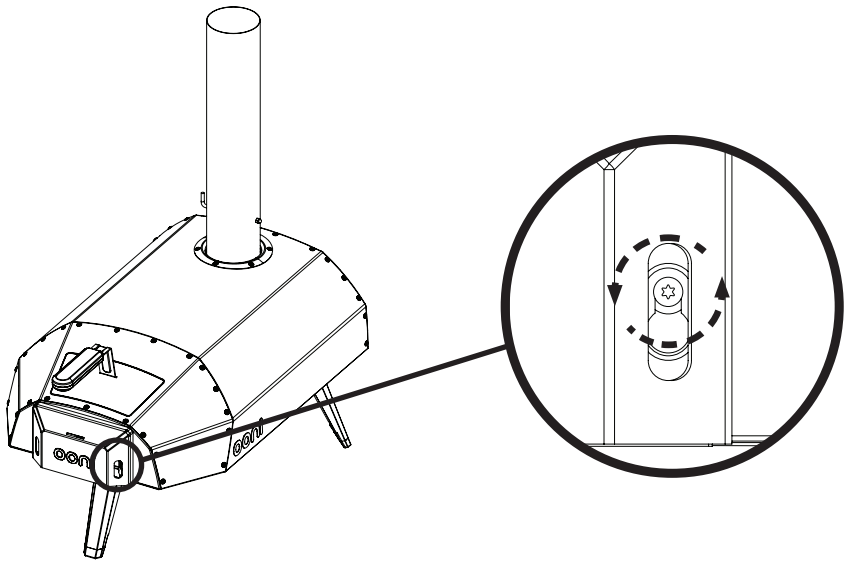
Paso 2

Retire la puerta y la bandeja de combustible y asegúrese de que el conducto de ventilación de la chimenea esté abierto



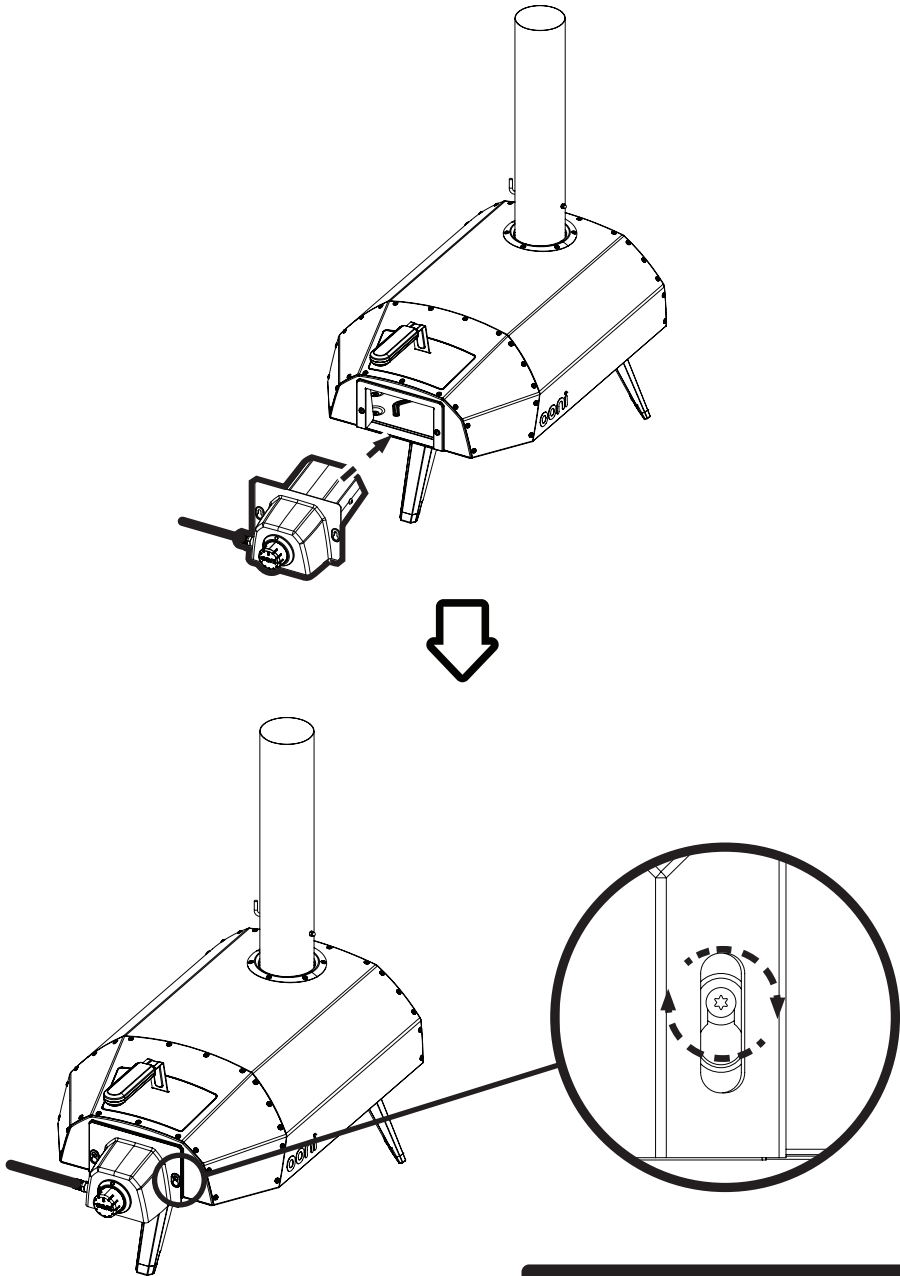
Paso 3

Retire la placa protectora de corrientes de aire



Paso 4

Coloque el quemador de gas Ooni para el Ooni Karu 12

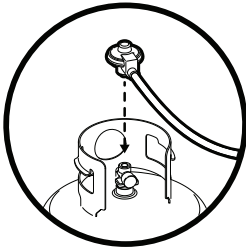


! No apriete en exceso los tornillos

Paso 5

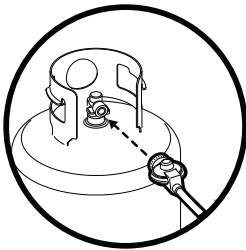
Conecte la bombona de gas

Los reguladores varían en función de la región.



Regulador de gas para patio

Se trata de un adaptador de gas de ajuste a presión. Asegúrese de que el interruptor negro esté en posición horizontal. Apriete el botón situado debajo del interruptor negro y presione el regulador sobre la válvula del depósito hasta que quede encajado.

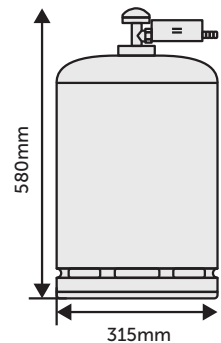


Regulador de gas POL

Se trata de un accesorio de gas que se ajusta mediante rosca en sentido contrario a las agujas del reloj. Asegúrese de que el depósito esté completamente cerrado y enrosque el regulador en el adaptador de la válvula del depósito de gas hasta que quede apretado.

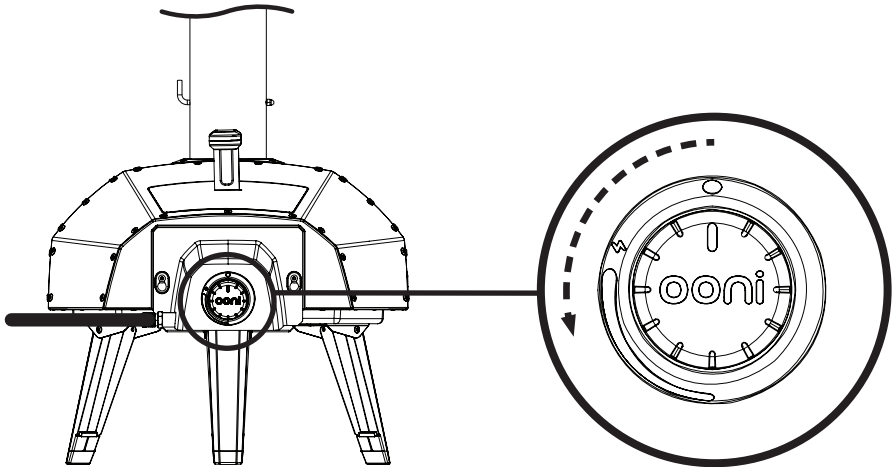
Información de seguridad respecto al gas

- El aparato debe instalarse como mínimo a un metro de cualquier material inflamable.
- El horno debe colocarse sobre una superficie no inflamable, estable y plana.
- Asegúrese de que su horno esté situado en una zona que no se vea afectada por las inclemencias del tiempo.
- El aparato solo se puede usar con propano GLP. Capacidad mínima de la bombona 4 kg Capacidad máxima de la bombona 13 kg.
- Utilice un regulador adecuado provisto y certificado según la norma EN 16129 y un tubo flexible certificado según la norma EN 16436.
- La longitud del tubo flexible no debe ser superior a 1,5 metros. Los tubos flexibles desgastados o dañados deben ser sustituidos. Asegúrese de que el tubo no esté obstruido, doblado o en contacto con cualquier parte del horno que no sea su conexión.
- El tubo de suministro de gas debe revisarse periódicamente y sustituirse si está dañado y cada dos años como mínimo.
- Los requisitos nacionales de su país le indicarán la frecuencia con la que debe sustituir el tubo. Revise regularmente estos requisitos para su país.
- En el caso de que el venturi esté bloqueado, apague inmediatamente la unidad del quemador, cierre el suministro de gas, desconecte el suministro de gas y espere hasta que se enfríe para retirarlo del horno.
- Asegúrese de que el aparato esté libre de residuos antes de cada uso. Si se acumulan residuos, utilice un cepillo para eliminarlos cuando el aparato se haya enfriado.

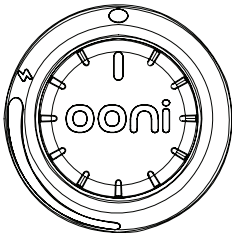


Paso 6 Encendido

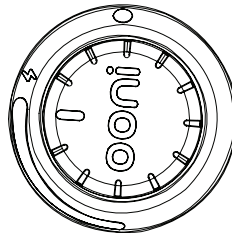
1. Abra el gas en la bombona.
2. Presione y gire el botón en sentido contrario a las agujas del reloj hasta que haga clic. No lo gire demasiado rápido.
Desde que pulsa el botón hasta que escucha el clic deberían pasar unos 3 segundos
3. Mantenga pulsado el botón durante 5 segundos y suéltelo.



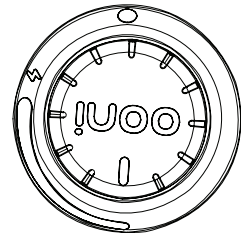
Apagado



Potencia máxima



Potencia mínima

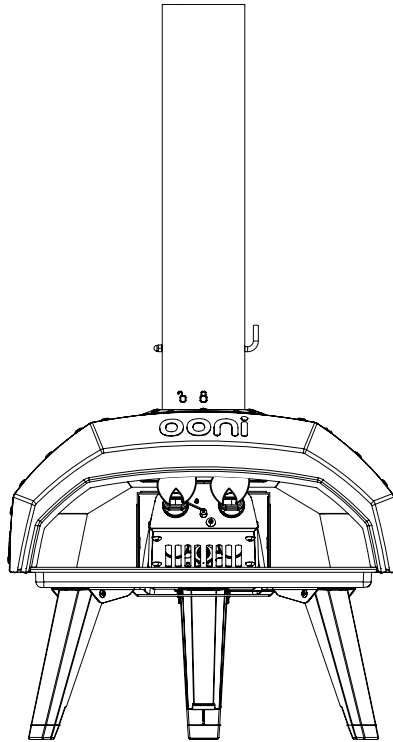


Manténgase alejado del horno cuando lo encienda: asegúrese de que nadie esté a menos de un metro de la parte delantera del horno. Manténgase a la distancia de los brazos estirados del horno al encenderlo, y no se incline sobre el horno cuando lo vaya a encender.

Paso 7

Compruebe que el quemador de gas esté conectado

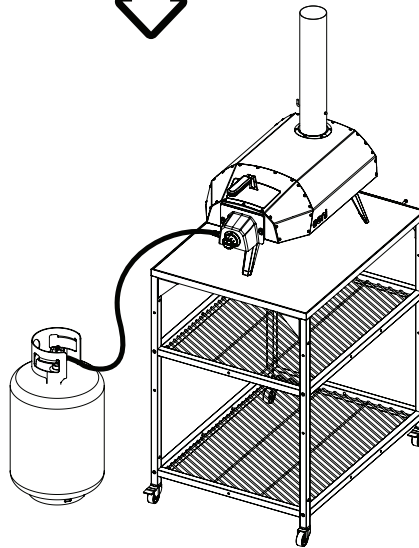
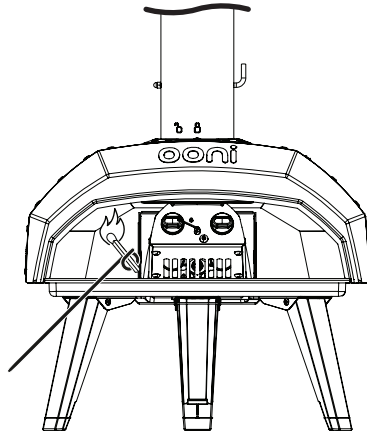
1. En caso contrario, cierre el gas y vuelva al paso 6.
2. Si el quemador sigue sin encenderse, vaya al paso 8.



Paso 8

Encendido usando una cerilla

Si el quemador sigue sin encenderse, abra el gas y enciéndalo con una cerilla y el soporte de cerillas suministrado a través de la parte delantera del horno. Manténgala delante de los quemadores. Presione y gire el mando como se describe en el paso 6.



⚠ Dirija siempre el tubo flexible de gas lejos del horno. El tubo no debe tocar el cuerpo del horno

⚠ Si las llamas se apagan, cierre el gas y espere 5 minutos antes de volver a encenderlo

Resolución de problemas








Problema	Posible causa	Prevención / Solución
Mi horno no se calienta lo suficiente	<ol style="list-style-type: none"> 1. Bombona de gas vacía 2. Grieta o rotura en el tubo flexible 3. Regulador mal acoplado 4. Funcionamiento en condiciones extremas 	<ol style="list-style-type: none"> 1. Compruebe que la bombona de gas esté llena, incluso una bombona con poco gas dentro puede afectar al rendimiento del quemador de gas 2. Asegúrese de que no haya grietas ni roturas en el tubo flexible 3. Asegúrese de que el regulador esté correctamente fijado a la bombona de gas y que el tubo flexible esté firmemente unido al quemador de gas apretado con llaves del tamaño adecuado como se indica en el manual de instrucciones 4. El quemador y el horno de gas no deben utilizarse en condiciones extremas (por ejemplo, con mucho viento)
Mi quemador de gas no se enciende	<ol style="list-style-type: none"> 1. Ajuste inadecuado 2. Bombona de gas vacía 3. Grieta o rotura en el tubo flexible 4. Técnica de encendido inadecuada. 5. Regulador mal acoplado 6. Alineación inadecuada del encendedor 	<ol style="list-style-type: none"> 1. Asegúrese de que la tapa de la chimenea se haya retirado y que los conductos de ventilación del techo y de la chimenea estén abiertos. La puerta debería estar abierta. 2. Compruebe que la bombona de gas esté llena, incluso una bombona con poco gas dentro puede afectar al rendimiento del quemador de gas 3. Asegúrese de que no haya grietas ni roturas en el tubo flexible 4. Girar el mando demasiado rápido puede evitar que el quemador de gas se encienda. 5. Asegúrese de que el regulador esté correctamente fijado a la bombona de gas y que el tubo flexible esté firmemente unido al quemador de gas apretado con llaves del tamaño adecuado como se indica en el manual de instrucciones 6. Vuelva a colocar la punta del encendedor para que esté a 2-3 mm de la parte delantera de la tapa del quemador.
La llama es demasiado amarilla o demasiado azul	Las variaciones en el entorno, los alimentos que cocine, la temperatura ambiente y el estado de su horno Ooni pueden afectar al color de la llama	El color de la llama no afectará al sabor ni a la calidad de su comida.
Mi sonda FSD no funciona correctamente	Puede haber acumulación de hollín en la sonda FSD	Asegúrese de que el quemador de gas y el suministro de gas estén apagados, espere a que el quemador se enfríe, limpie suavemente la sonda y los orificios del quemador con un paño húmedo y deje que el quemador se seque completamente antes de volver a encenderlo.
El quemador de gas para Ooni no mantiene la llama	<ol style="list-style-type: none"> 1. Falta de oxígeno 2. Horno colocado sobre una superficie irregular 	<ol style="list-style-type: none"> 1. Abra el respiradero de la chimenea de su Ooni Pro para favorecer un mejor flujo de aire a través del horno 2. Si su Ooni está en pendiente al instalarlo, el oxígeno no fluirá tan bien. Intente instalarlo en una superficie plana.
Puedo oír un «sonido de rugido» procedente del quemador de gas y las llamas son muy débiles	La llama arde dentro de los desahogos	Desconecte el suministro de gas y el quemador de gas inmediatamente, espere 5 minutos y vuelva a encender el quemador de gas.

Información técnica del producto

Número de modelo

Quegador de gas Ooni Karu 12

Etiqueta del producto

ooni		 2531-21 2531DM-0024	
Ooni GmbH, Simrockstraße 11, 53113 Bonn, Germany		I3+ (28-30/37)	
Ooni Karu 12 Gas Burner		28-30 mbar	37 mbar
5.3 kW, 386g/h 0.81 mm * 2		Butane Butan Butano	Propane Propan Propano
BE, CH, ES, FR, GB, IE, IT, LU, PT			
EN: Use outdoors only. Read the instructions before using the appliance. WARNING: accessible parts may be very hot. Keep young children away. This appliance must be kept away from flammable materials during use. Do not move the appliance during use. Turn off the gas supply at the gas cylinder after use. Do not modify the appliance.		DE: Nur im Freien verwenden. Lies dir die Bedienungsanleitung vollständig durch, bevor du das Gerät benutzt. WARNUNG: Zugängliche Teile können sehr heiß werden. Halte kleine Kinder fern. Dieses Gerät muss während des Gebrauchs von brennbaren Materialien ferngehalten werden. Verschiebe das Gerät während der Verwendung nicht. Schalte die Gaszufuhr nach Gebrauch an der Gasflasche aus. Ändere nichts am Gerät.	
 <p>Stand to side when relighting - never look directly into the oven or at the flame.</p>		 <p>Stehe beim Anzünden auf der Seite – schau niemals direkt in den Ofen oder auf die Flamme.</p>	
ES: Uso al aire libre exclusivamente. Lea las instrucciones antes de usar el aparato. ADVERTENCIA: las piezas accesibles pueden estar muy calientes. Mantenga alejados a los niños. Este aparato debe mantenerse alejado de cualquier material inflamable durante su uso. No mueva el aparato mientras esté en uso. Cierre el suministro de gas en la bombona después de su uso. No modifique el aparato.		FR: Usage en extérieur uniquement. Lis ces instructions avant d'utiliser l'appareil. AVERTISSEMENT : les parties accessibles peuvent être très chaudes. Les jeunes enfants doivent être tenus à l'écart. Cet appareil doit être tenu à l'écart de tout matériau inflammable pendant son utilisation. Ne déplace pas l'appareil durant l'utilisation. Coupe l'alimentation en gaz au niveau de la bombonne de gaz après utilisation. N'apporte aucune modification à l'appareil.	
 <p>Colóquese a un lado cuando vuelva a encenderlo, nunca mire directamente al horno o a la llama.</p>		 <p>Tiens-toi sur le côté lors du réallumage. Ne regarde jamais directement la flamme ou l'intérieur du four.</p>	
IT: Utilizzalo esclusivamente all'aria aperta. Prima di utilizzare il dispositivo, leggi le istruzioni. ATTENZIONE: le parti accessibili possono essere molto calde. Tieni i bambini a distanza di sicurezza. Durante l'uso il dispositivo deve essere tenuto a distanza da qualsiasi materiale infiammabile. Non spostare il dispositivo durante l'uso. Chiudi il gas sulla bombola dopo l'uso. Non alterare il dispositivo.		PT: Utilize apenas ao ar livre. Leia as instruções antes de utilizar o aparelho. AVISO: as partes acessíveis podem estar muito quentes. Manter afastado das crianças. Deve-se manter este aparelho afastado de materiais inflamáveis durante a sua utilização. Não mova o aparelho durante a sua utilização. Desligue o fornecimento de gás na botija de gás após a sua utilização. Não modifique o aparelho.	
 <p>Mettiti da un lato durante la riaccensione, e non guardare mai direttamente verso il forno o la fiamma.</p>		 <p>Afaste-se um pouco quando reacender - nunca olhe diretamente para o forno ou para a chama.</p>	

Inyectores

Marcado del inyector: **0,81 mm**

Marcado: **0,81**

Si el diámetro del inyector es de 0,81 mm debe utilizar el regulador de 37 mbar suministrado con la bombona de gas propano GLP.

Exonération de responsabilité sur la sécurité – À lire attentivement avant utilisation.

Assure-toi de lire la présente exonération de responsabilité dans son intégralité avant de monter, d'installer et d'utiliser/entretenir le brûleur à gaz Ooni pour Ooni Karu 12 (30 cm) sur ton four Ooni Karu 12 (30 cm). Le non-respect des indications de la présente exonération de responsabilité peut entraîner des dommages matériels, des blessures physiques graves, voire la mort, ou un incendie causant des dommages matériels.

1. Lors de l'utilisation du four Ooni Karu 12 (30 cm) avec le brûleur à gaz Ooni pour Ooni Karu 12 (30 cm), garde à l'esprit que (1) le brûleur à gaz Ooni pour Ooni Karu 12 (30 cm) doit être utilisé exclusivement avec le four Ooni, ce qui exclut tout autre appareil, et que (2) l'ensemble des dispositions de la clause d'exonération de responsabilité relative au four Ooni Karu 12 (30 cm) s'applique également à l'utilisation du brûleur à gaz Ooni pour Ooni Karu 12 (30 cm), en plus des dispositions de la présente clause d'exonération de responsabilité. Il est fortement déconseillé d'utiliser le four Ooni Karu 12 (30 cm) avec le brûleur à gaz pour Ooni Karu 12 (30 cm) avant que le four Ooni Karu 12 (30 cm) n'ait été testé de manière approfondie et appropriée afin de détecter d'éventuelles fuites de gaz.
2. Les sous-produits de combustion générés lors de l'utilisation du four Ooni Karu 12 (30 cm) avec le brûleur à gaz Ooni pour Ooni Karu 12 (30 cm) contiennent du carbone et du monoxyde de carbone provenant des gaz de combustion du brûleur à gaz Ooni pour Ooni Karu 12 (30 cm). L'inhalation de ces substances à l'intérieur d'une pièce ou dans tout autre lieu clos est réputée comme étant une cause possible de décès par asphyxie et/ou empoisonnement au monoxyde de carbone.
3. Si le brûleur à gaz Ooni pour Ooni Karu 12 (30 cm) ne s'allume pas, mets les boutons en position d'arrêt (Éteint), patiente 5 minutes, puis réessaie. Referme toujours le robinet d'arrivée du gaz pendant ces 5 minutes d'attente. Si le brûleur à gaz Ooni pour Ooni Karu 12 (30 cm) ne s'allume pas alors que le robinet est ouvert, le gaz continuera à se diffuser hors du brûleur à gaz Ooni pour Ooni Karu 12 (30 cm) et pourrait s'enflammer accidentellement, en causant un risque de blessure.
4. Si une fuite de gaz est détectée à un quelconque moment, CESSE immédiatement d'utiliser l'appareil et appelle les pompiers. Une fuite de propane peut entraîner une explosion, un incendie, des blessures graves ou la mort. Si une odeur de gaz se fait sentir, (1) coupe l'alimentation en gaz de l'appareil, (2) éteins toute flamme vive éventuelle et (3) si l'odeur persiste, éloigne-toi du four Ooni Karu 12 (30 cm) et appelle immédiatement ta compagnie de gaz ou les pompiers. En cas d'impossibilité d'arrêter une fuite de gaz, ferme immédiatement le robinet de GPL (propane) et appelle ta compagnie de gaz ou les pompiers. Si des bulles « croissantes » apparaissent dans la bombonne, n'utilise pas et ne déplace pas le GPL (propane). Contacte un fournisseur de gaz GPL ou les pompiers.
5. Ne stocke pas et n'utilise pas d'essence ou d'autres liquides ou vapeurs inflammables à proximité du four Ooni Karu 12 (30 cm) ou de tout autre appareil. N'insère aucun outil ou objet étranger dans la soupape de sécurité ou dans la sortie du robinet. Il risquerait d'en résulter un endommagement du robinet et une fuite. Ne tente jamais de raccorder le brûleur à gaz Ooni pour Ooni Karu 12 (30 cm) au système de gaz GPL autonome d'une caravane ou d'un camping-car. Ne fais jamais fonctionner le four Ooni Karu 12 (30 cm) au GPL (propane) dans une position différente de celle qui est spécifiée dans les instructions de montage. Referme toujours le robinet de GPL (propane) avant de déplacer le GPL (propane) depuis la position de fonctionnement spécifiée. Referme les manettes et la source ou le réservoir de gaz lorsqu'ils ne sont pas utilisés.
6. Utilise le brûleur à gaz Ooni pour Ooni Karu 12 (30 cm) tel qu'il a été acheté, uniquement avec du GPL (propane) et avec l'ensemble régulateur/robinet fourni. Ne tente jamais de réparer ou de modifier le tuyau, le robinet ou le régulateur en cas de défaut « présumé ». Toute modification de cet assemblage entraînera un risque de fuite de gaz et d'incendie. Utilise exclusivement les pièces de rechange agréées fournies par Ooni Limited. N'entrepose JAMAIS de réserve de GPL (propane) sous ou à proximité du four Ooni Karu 12 (30 cm) ou dans un lieu clos. Du GPL (propane) non raccordé pour l'utilisation ne doit en aucun cas être entreposé à proximité du four Ooni Karu 12 (30 cm) ou de tout autre appareil.
7. Le brûleur à gaz pour Ooni Karu 12 (30 cm) connecté au four Ooni Karu 12 (30 cm) doit être utilisé exclusivement avec du GPL (propane) conditionné en bombonne.

L'entreposage incorrect de GPL (propane) constitue un danger en raison d'un dégagement éventuel de gaz hors de la soupape de sécurité. Il peut en résulter un incendie intense avec risque de dommages matériels, de blessures graves ou de décès. Si tu constates, sens ou entends un dégagement de gaz, éloigne-toi immédiatement du GPL (propane) ou de l'appareil et appelle les pompiers.

OONI LIMITED, OONI INC ET OONI GMBH DÉCLINENT TOUTE RESPONSABILITÉ, LÉGALE OU AUTRE, EN CAS DE DOMMAGES ACCIDENTELS OU CONSÉCUTIFS AUX BIENS OU AUX PERSONNES RÉSULTANT DE L'UTILISATION DE TON BRÛLEUR À GAZ OONI POUR OONI KARU 12 (30 CM) SANS RESPECTER OU AVOIR RESPECTÉ L'UNE DES DISPOSITIONS DE LA PRÉSENTE EXONÉRATION DE RESPONSABILITÉ.

OONI LIMITED, OONI INC ET OONI GMBH DÉCLINENT TOUTE RESPONSABILITÉ EN CAS DE DOMMAGE SPÉCIAL, INDIRECT, CONSÉCUTIF OU AUTRE, DE QUELQUE NATURE QUE CE SOIT, DÉPASSANT LE PRIX D'ACHAT INITIAL DU BRÛLEUR À GAZ OONI POUR OONI KARU 12 (30 CM).

Certains États ou pays n'autorisent pas l'exclusion ou la limitation des dommages accessoires ou indirects, aussi ces limitations ou exclusions peuvent ne pas s'appliquer à ton cas.

Instructions de sécurité

- Lis ces instructions avant d'utiliser l'appareil.
- L'appareil s'utilise exclusivement en extérieur.
- Attention ! Les parties accessibles peuvent être très chaudes.
- Attention ! Assure-toi que les pieds d'Ooni Karu 12 (30 cm) sont entièrement déployés avant toute utilisation.
- Attention ! Pour éviter tout choc électrique, ne touche pas la pointe de l'électrode lorsque tu allumes le brûleur.
- Attention ! Ne change pas la position de la bouche d'aération ou de l'évent d'aération de la cheminée lorsque l'appareil est utilisé.
- Attention ! Reste à l'écart des gaz d'échappement chauds sortant de la cheminée.
- Attention ! Assure-toi que les bords de chaque pied du four sont à une distance d'au moins 3,5 " / 90 mm des bords de la surface de la table.
- Les jeunes enfants doivent être tenus à l'écart.
- Ne déplace pas l'appareil durant l'utilisation.
- Coupe l'alimentation en gaz au niveau de la bombonne de gaz après utilisation.
- N'apporte aucune modification à l'appareil.
- Les pièces scellées par le fabricant ou le représentant ne doivent pas être manipulées par l'utilisateur.
- Porte toujours des gants de protection lors de la manipulation de composants chauds.
- L'entreposage d'un appareil à l'intérieur d'un local n'est autorisé que si la bombonne est débranchée et retirée de l'appareil. Lorsque l'appareil n'est pas utilisé pendant un certain temps, il doit être retiré du four et remis à l'intérieur de son emballage d'origine dans un environnement sec et exempt de poussière.
- ATTENTION : tout nettoyage ou entretien doit être effectué lorsque le four est froid et alors que l'alimentation en combustible est coupée au niveau de la bombonne de gaz et débranchée.
- AVANT USAGE, VÉRIFIE L'ÉTANCHÉITÉ DE L'APPAREIL ET DES CONNEXIONS. Ne tente jamais de vérifier les fuites avec une flamme vive. Utilise toujours une solution d'eau savonneuse. Test d'étanchéité : teste l'étanchéité chaque fois qu'une nouvelle bombonne de gaz est raccordée ou après une longue période d'inutilisation de l'appareil. Vérifie que le robinet est correctement aligné avec la soupape. Vérifie que le tuyau n'est pas fissuré ou fendillé. IMPORTANT : en cas d'impossibilité d'arrêter une fuite de gaz, referme le robinet d'arrivée du gaz et appelle ta compagnie de gaz locale ou les pompiers.
- L'appareil doit être tenu à l'écart de tout matériau inflammable pendant son utilisation.
- Lors du changement de bombonne de gaz, vérifie que le bouton du brûleur à gaz Ooni pour Ooni Karu 12 (30 cm) est en position d'arrêt, débranche le régulateur de la bombonne de gaz et retire la bombonne. Tout au long de ce processus, veille à ce que la bombonne soit maintenue à une distance d'au moins 1 mètre du four afin d'éviter tout risque d'embrasement.



Tiens-toi sur le côté lors du réallumage. Ne regarde jamais directement la flamme ou l'intérieur du four.



Le régulateur fourni peut ne pas être adapté à ta région ou ton territoire. Pour plus d'informations, reporte-toi à la réglementation locale.

Étape 1

Installe le tuyau (si nécessaire).

Les régulateurs et les raccords de tuyau varient selon les régions.

Si le brûleur à gaz pour Ooni Karu 12 (30 cm) est équipé d'un tuyau femelle fileté, passe à l'étape 1a.

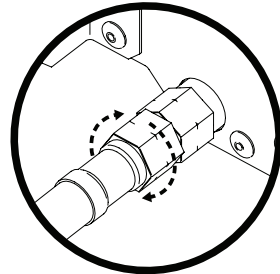
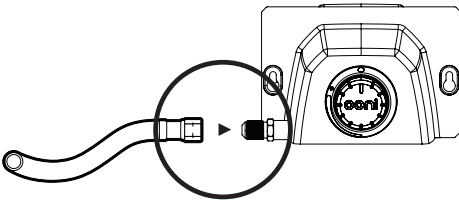
Si le brûleur à gaz pour Ooni Karu 12 (30 cm) est muni d'un barbillon fileté et d'un tuyau standard avec collier de serrage, passe à l'étape 1b, puis 1c.

Si le brûleur à gaz pour Ooni Karu 12 (30 cm) est muni d'un tuyau standard avec collier de serrage, passe à l'étape 1c.

Si le brûleur à gaz pour Ooni Karu 12 (30 cm) comporte un tuyau préinstallé, passe à l'étape 2.

Étape 1a

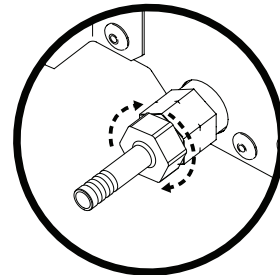
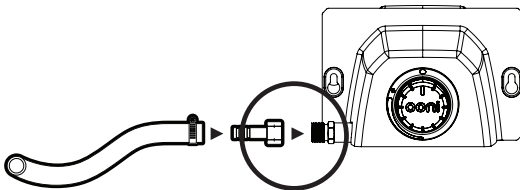
Effectue le serrage avec des clés adaptées.



! Dans les pays de l'UE, le serrage s'effectue dans le sens inverse des aiguilles.

Étape 1b

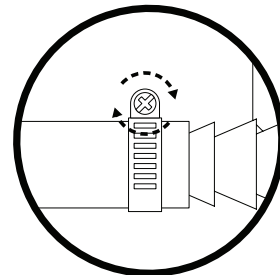
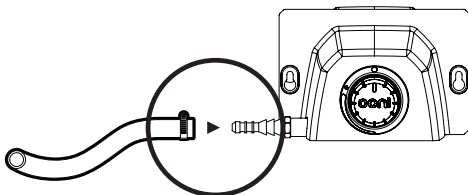
Effectue le serrage avec des clés appropriées, puis poursuis à l'étape 1c.



! Dans les pays de l'UE, le serrage s'effectue dans le sens inverse des aiguilles.

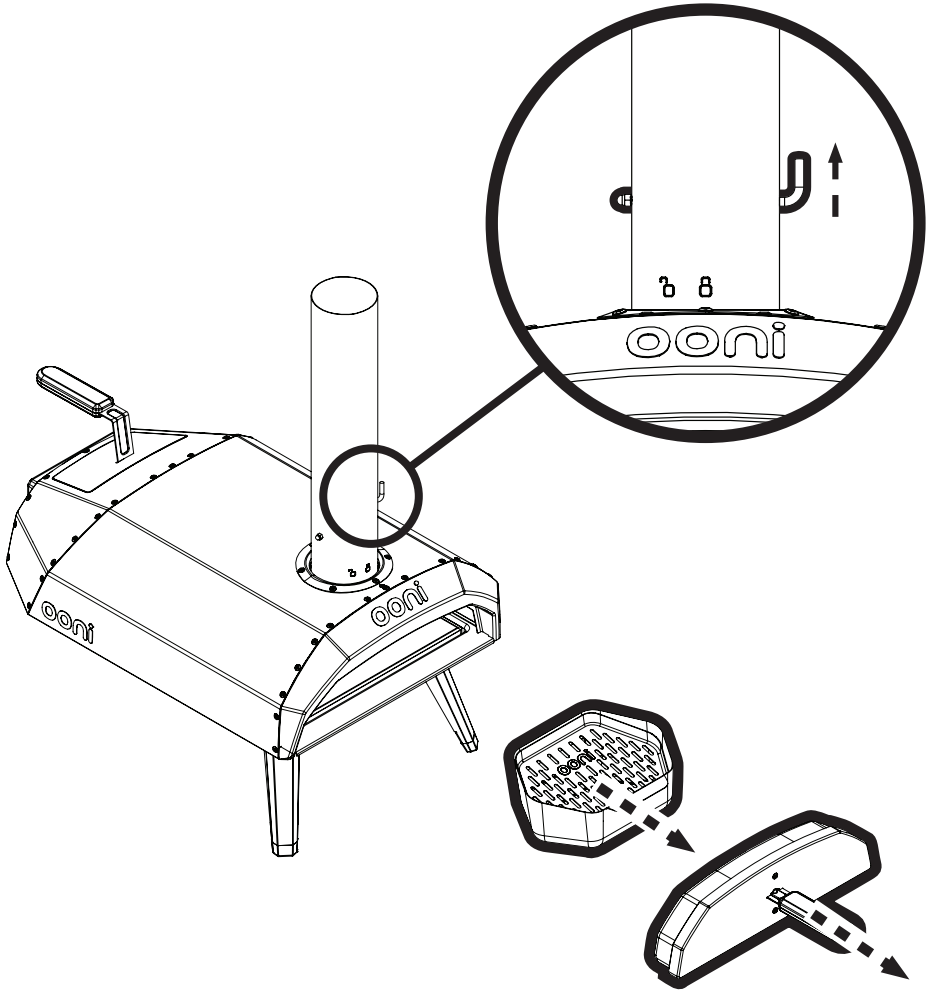
Étape 1c

Effectue le serrage avec un tournevis adéquat.

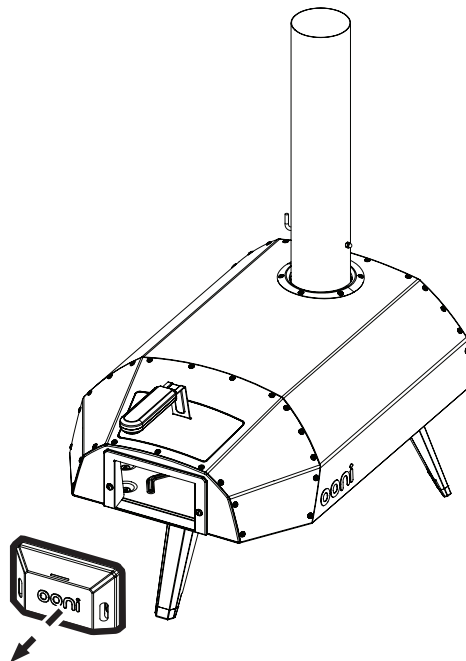
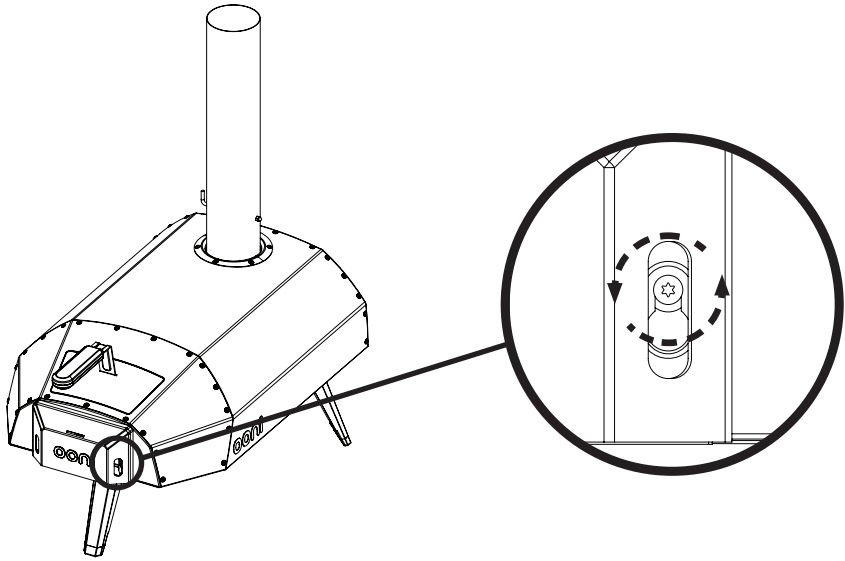


Étape 2

Retire la porte et le bac à combustible, et assure-toi que l'évent d'aération de la cheminée est ouvert.

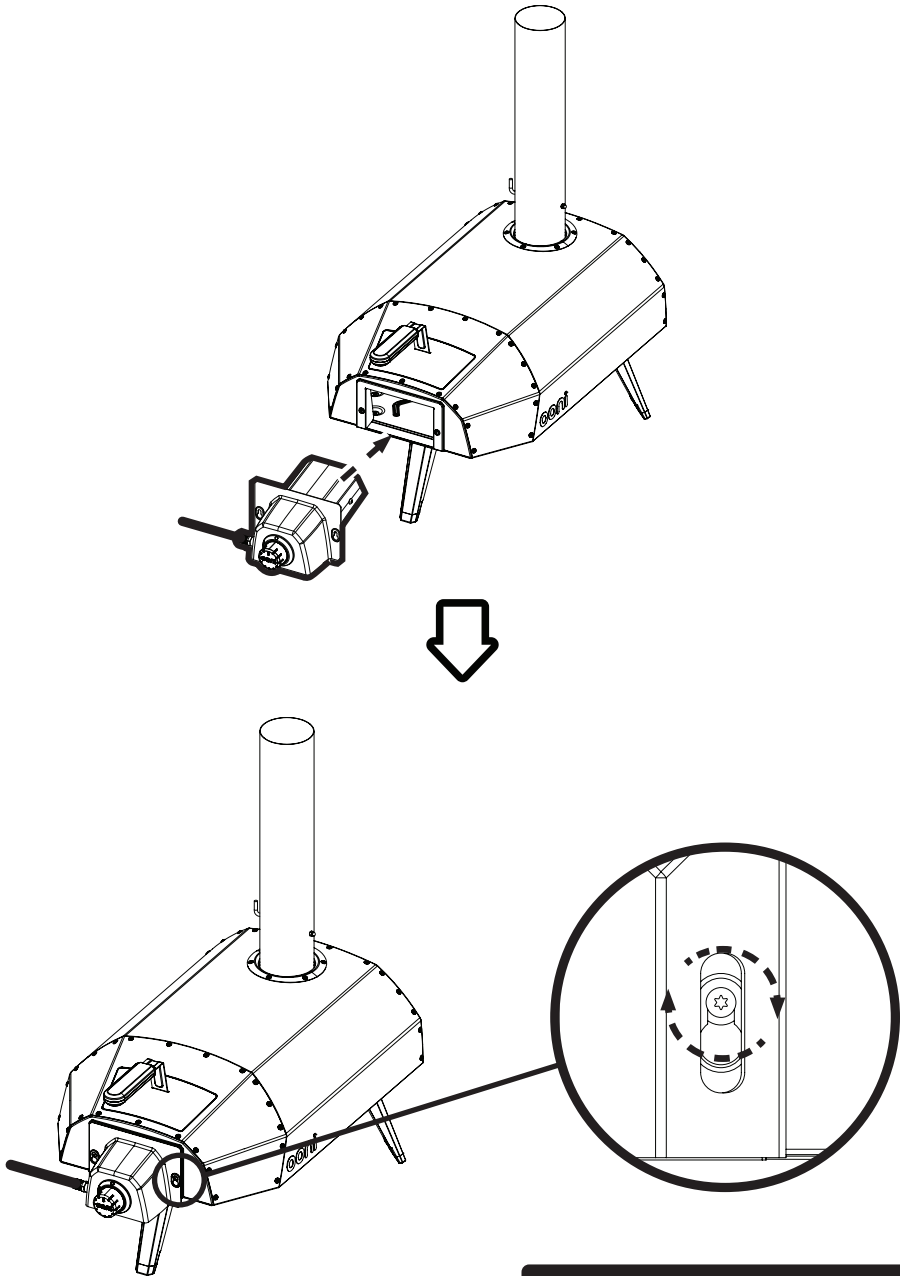


Étape 3
Retire la plaque de protection coupe-air.



Étape 4

Connecte le brûleur à gaz pour Ooni Karu 12 (30 cm).

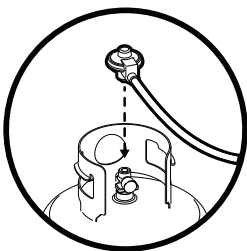


! Fixe bien les vis, mais ne serre pas trop.

Étape 5

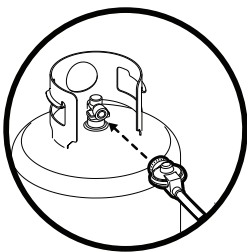
Raccorde la bombonne de gaz.

Les régulateurs varient selon les régions.



Régulateur de gaz patio

Il s'agit d'un raccord de gaz à pression. Vérifie que l'interrupteur noir est en position horizontale. Appuie sur le bouton situé sous l'interrupteur noir, puis appuie le régulateur sur le robinet de la bombonne jusqu'à ce qu'il s'enclenche.

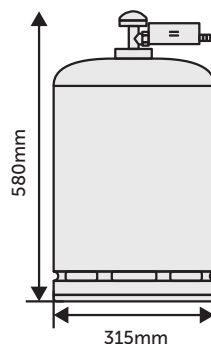


Régulateur de gaz POL

Il s'agit d'un raccord de gaz fileté dans le sens inverse des aiguilles. Vérifie que le réservoir est totalement fermé, puis visse le régulateur sur le raccord du robinet du réservoir de gaz jusqu'à ce qu'il soit bien serré.

Instructions de sécurité relatives au gaz

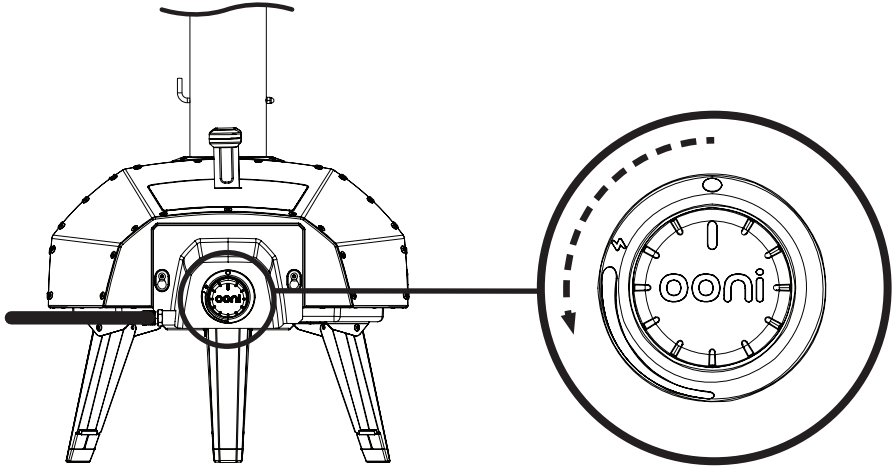
- L'appareil doit être installé à au moins 1 mètre de tout matériau inflammable.
- Le four doit être placé sur une surface ininflammable, stable et plane.
- Vérifie que le four est positionné dans un lieu qui ne sera pas affecté par les intempéries.
- Cet appareil s'utilise uniquement avec du GPL (propane). Capacité minimale de la bombonne : 4 kg. Capacité maximale de la bombonne : 13 kg.
- Utilise un régulateur approprié certifié conforme à la norme EN 16129 et un tuyau flexible certifié conforme à la norme EN 16436.
- La longueur du tuyau ne doit pas dépasser 1,5 mètre. Les tuyaux usés ou endommagés doivent impérativement être remplacés. Vérifie que le tuyau n'est pas obstrué, plié ou en contact avec une partie du four autre que son raccord.
- Le tuyau d'alimentation en gaz doit être vérifié périodiquement. Il doit être remplacé en cas d'endommagement et au moins tous les deux ans.
- Les exigences nationales indiquent à quelle fréquence le tuyau doit être remplacé. Consulte régulièrement ces exigences pour ton pays.
- En cas de blocage de la soupape, éteins immédiatement le brûleur, coupe et débranche l'alimentation en gaz, puis patiente le temps que le brûleur refroidisse avant de le sortir du four.
- Vérifie que l'appareil est exempt de débris avant chaque utilisation. Si des débris s'accumulent, utilise une brosse pour les retirer une fois que l'appareil a refroidi.



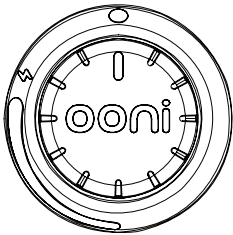
Étape 6

Allumage

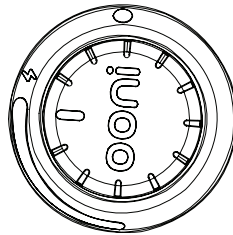
1. Ouvre le gaz au niveau de la bombonne.
2. Appuie sur le bouton et tourne-le dans le sens inverse des aiguilles jusqu'à ce que tu entendes un clic. Ne le tourne pas trop rapidement.
Il doit s'écouler environ 3 secondes entre la pression sur le bouton et le clic.
3. Maintiens le bouton enfoncé pendant 5 secondes, puis relâche-le.



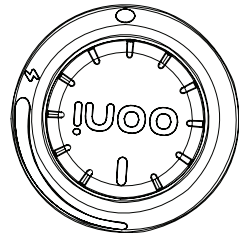
Éteint



Puissance maximale



Puissance minimale

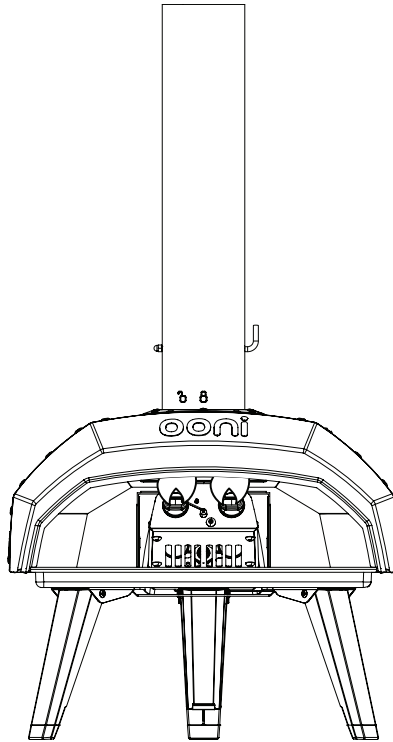


Tiens-toi à l'écart du four lorsque tu l'allumes. Assure-toi que personne ne se tient à moins d'1 mètre (3 ft) de l'avant du four. Tiens-toi à une longueur de bras du four lorsque tu l'allumes, et ne te penche pas au-dessus du four au moment de l'allumage.

Étape 7

Vérifie que le brûleur à gaz est allumé.

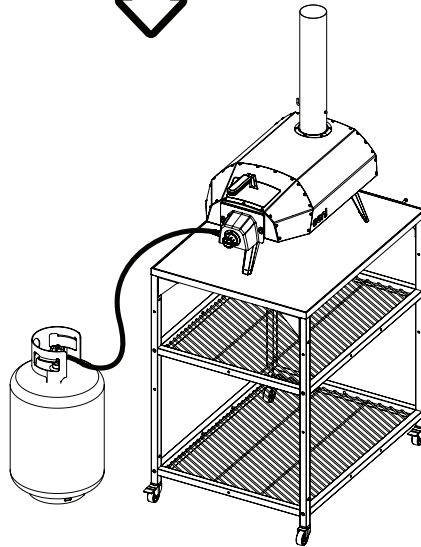
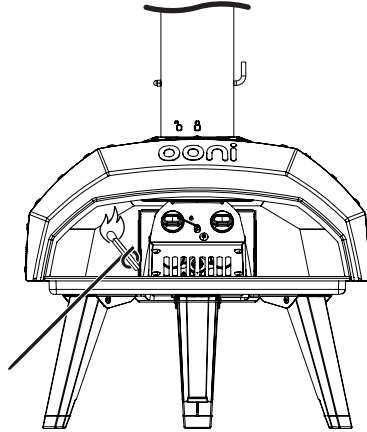
1. Sinon, coupe le gaz et retourne à l'étape 6.
2. Si le brûleur ne s'allume toujours pas, passe à l'étape 8.



Étape 8

Allumage à l'aide d'une allumette

Si le brûleur ne s'allume toujours pas, ouvre le gaz et effectue l'allumage en utilisant une allumette et le porte-allumettes fourni via l'avant du four. Tiens-la devant les têtes du brûleur. Appuie sur le bouton et tourne-le tel qu'indiqué dans l'étape 6.



Achemine toujours le tuyau de gaz de sorte qu'il soit à l'écart du four. Le tuyau ne doit pas entrer en contact avec le corps du four.



Si les flammes s'éteignent, coupe le gaz et patiente 5 minutes avant de rallumer.

Dépannage







Problème	Cause possible	Prévention/solution
Mon four ne chauffe pas assez.	<ol style="list-style-type: none"> 1. Bombonne de gaz vide 2. Fissures ou fuites sur le tuyau 3. Régulateur mal fixé 4. Fonctionnement dans des conditions extrêmes 	<ol style="list-style-type: none"> 1. Vérifie que la bombonne de gaz est pleine. Même une bombonne contenant peu de gaz peut affecter le fonctionnement du brûleur à gaz. 2. Vérifie l'absence de fissures ou de fuites sur le tuyau. 3. Vérifie que le régulateur est correctement fixé à la bombonne de gaz et que le tuyau est fermement attaché au brûleur à gaz et serré à l'aide de clés de taille appropriée, comme indiqué dans le manuel d'instructions. 4. Le brûleur à gaz et le four ne doivent pas être utilisés dans des conditions extrêmes (par exemple en cas de vent fort).
Mon brûleur à gaz ne s'allume pas.	<ol style="list-style-type: none"> 1. Configuration erronée 2. Bombonne de gaz vide 3. Fissures ou fuites sur le tuyau 4. Technique d'allumage inappropriée. 5. Régulateur mal fixé 6. Étinceleur mal aligné 	<ol style="list-style-type: none"> 1. Vérifie que le capuchon de la cheminée est retiré et que les événements du plafond et de la cheminée sont ouverts. La porte doit être ouverte. 2. Vérifie que la bombonne de gaz est pleine. Même une bombonne contenant peu de gaz peut affecter le fonctionnement du brûleur à gaz. 3. Vérifie l'absence de fissures ou de fuites sur le tuyau. 4. Une rotation trop rapide du bouton peut empêcher l'allumage du brûleur à gaz. 5. Vérifie que le régulateur est correctement fixé à la bombonne de gaz et que le tuyau est fermement attaché au brûleur à gaz et serré à l'aide de clés de taille appropriée, comme indiqué dans le manuel d'instructions. 6. Repositionne l'extrémité de l'étinceleur, de sorte qu'elle se trouve à 2 ou 3 mm de la partie antérieure du chapeau du brûleur.
La flamme est trop orange ou trop bleue.	Les variations de l'environnement, des aliments cuisinés, de la température ambiante et de l'état de ton four Ooni peuvent avoir une incidence sur la couleur de la flamme.	La couleur de la flamme n'a aucune conséquence sur la saveur ou la qualité des aliments.
Mon dispositif de surveillance de flamme (FSD) ne fonctionne pas correctement.	Il se peut que de la suie se soit accumulée sur la sonde FSD.	Vérifie que le brûleur à gaz et l'alimentation en gaz sont éteints. Attends que le brûleur refroidisse, puis nettoie avec précaution la sonde et les orifices du brûleur avec un chiffon humide. Laisse le brûleur sécher complètement avant de le rallumer.
La flamme du brûleur à gaz Ooni ne se maintient pas.	<ol style="list-style-type: none"> 1. Manque d'oxygène 2. Four positionné sur une surface irrégulière 	<ol style="list-style-type: none"> 1. Ouvre l'évent d'aération de ton Ooni Pro afin d'améliorer la circulation de l'air dans le four. 2. Si ton Ooni est en position inclinée lors de son installation, l'oxygène ne circulera pas correctement. Essaie de l'installer sur une surface plane.
Le brûleur à gaz émet une sorte de bourdonnement et les flammes sont très faibles.	La flamme brûle à l'intérieur des orifices.	Coupe immédiatement l'alimentation en gaz et le brûleur à gaz, patiente 5 minutes, puis rallume le brûleur à gaz.

Informations techniques sur le produit

Référence du modèle

Brûleur à gaz pour Ooni Karu 12 (30 cm)

Étiquette du produit

ooni		CE 2531-21 2531DM-0024	
Ooni GmbH, Simrockstraße 11, 53113 Bonn, Germany		I3+ (28-30/37)	
Ooni Karu 12 Gas Burner		28-30 mbar	37 mbar
5.3 kW, 386g/h 0.81 mm * 2		Butane Butan Butano	Propane Propan Propano
BE, CH, ES, FR, GB, IE, IT, LU, PT			
EN: Use outdoors only. Read the instructions before using the appliance. WARNING: accessible parts may be very hot. Keep young children away. This appliance must be kept away from flammable materials during use. Do not move the appliance during use. Turn off the gas supply at the gas cylinder after use. Do not modify the appliance.		DE: Nur im Freien verwenden. Lies dir die Bedienungsanleitung vollständig durch, bevor du das Gerät benutzt. WARNUNG: Zugängliche Teile können sehr heiß werden. Halte kleine Kinder fern. Dieses Gerät muss während des Gebrauchs von brennbaren Materialien ferngehalten werden. Verschiebe das Gerät während der Verwendung nicht. Schalte die Gaszufuhr nach Gebrauch an der Gasflasche aus. Ändere nichts am Gerät.	
 Stand to side when relighting - never look directly into the oven or at the flame.		 Stehe beim Anzünden auf der Seite – schau niemals direkt in den Ofen oder auf die Flamme.	
ES: Uso al aire libre exclusivamente. Lea las instrucciones antes de usar el aparato. ADVERTENCIA: las piezas accesibles pueden estar muy calientes. Mantenga alejados a los niños. Este aparato debe mantenerse alejado de cualquier material inflamable durante su uso. No mueva el aparato mientras esté en uso. Cierre el suministro de gas en la bombona después de su uso. No modifique el aparato.		FR: Usage en extérieur uniquement. Lis ces instructions avant d'utiliser l'appareil. AVERTISSEMENT : les parties accessibles peuvent être très chaudes. Les jeunes enfants doivent être tenus à l'écart. Cet appareil doit être tenu à l'écart de tout matériau inflammable pendant son utilisation. Ne déplace pas l'appareil durant l'utilisation. Coupe l'alimentation en gaz au niveau de la bombonne de gaz après utilisation. N'apporte aucune modification à l'appareil.	
 Colóquese a un lado cuando vuelva a encenderlo, nunca mire directamente al horno o a la llama.		 Tiens-toi sur le côté lors du réallumage. Ne regarde jamais directement la flamme ou l'intérieur du four.	
IT: Utilizzalo esclusivamente all'aria aperta. Prima di utilizzare il dispositivo, leggi le istruzioni. ATTENZIONE: le parti accessibili possono essere molto calde. Tieni i bambini a distanza di sicurezza. Durante l'uso il dispositivo deve essere tenuto a distanza da qualsiasi materiale infiammabile. Non spostare il dispositivo durante l'uso. Chiudi il gas sulla bombola dopo l'uso. Non alterare il dispositivo.		PT: Utilize apenas ao ar livre. Leia as instruções antes de utilizar o aparelho. AVISO: as partes acessíveis podem estar muito quentes. Manter afastado das crianças. Deve-se manter este aparelho afastado de materiais inflamáveis durante a sua utilização. Não mova o aparelho durante a sua utilização. Desligue o fornecimento de gás na botija de gás após a sua utilização. Não modifique o aparelho.	
 Mettiti da un lato durante la riaccensione, e non guardare mai direttamente verso il forno o la fiamma.		 Afaste-se um pouco quando reacender - nunca olhe diretamente para o forno ou para a chama.	

Injecteurs

Marquage de l'injecteur : **0,81 mm**

Marquage : **0,81**

Lorsque le diamètre de l'injecteur est de 0,81 mm, utilisez le régulateur à 37 mbar fourni avec la bombonne de GPL (propane).

Clausole di esonero di responsabilità riguardanti la sicurezza – Da leggere in tutte le sue parti prima dell'uso.

Prima di assemblare, installare e utilizzare/sottoporre a manutenzione il tuo bruciatore a gas Ooni per Ooni Karu 12 da installare con il forno Ooni Karu 12, leggi la presente esclusione di responsabilità in tutte le sue parti. L'inosservanza di tutte le disposizioni della presente esclusione di responsabilità potrebbe determinare danni materiali, gravi lesioni personali o persino la morte, oppure incendi in grado di provocare danni materiali.

1. Quando usi il forno Ooni Karu 12 insieme al bruciatore a gas per Ooni Karu 12, ricorda che (1) il bruciatore a gas per Ooni Karu 12 può essere utilizzato esclusivamente con il tuo Ooni, escludendo quindi qualsiasi altro dispositivo, e (2) la totalità delle disposizioni previste nell'esclusione di responsabilità sulla sicurezza del forno Ooni Karu 12 è valida anche per l'uso del bruciatore a gas per Ooni Karu 12, e si va ad aggiungere alle disposizioni della presente esclusione di responsabilità sulla sicurezza. Si sconsiglia vivamente di utilizzare il forno Ooni Karu 12 insieme al bruciatore a gas per Ooni Karu 12 fino a quando il bruciatore a gas per Ooni Karu 12 non è stato sottoposto ad adeguata e accurata verifica per eventuali perdite di gas.
2. I prodotti derivati dalla combustione, generati dall'uso del forno Ooni Karu 12 con il bruciatore a gas per Ooni Karu 12, contengono carbonio e monossido di carbonio nei gas di scarico del bruciatore a gas per Ooni Karu 12; è noto che queste sostanze, se inalate in spazi chiusi o in altre aree non ventilate, possono provocare morte per asfissia e/o intossicazione da monossido di carbonio.
3. Se il bruciatore a gas per Ooni Karu 12 non si accende, gira le manopole su OFF, attendi 5 minuti e riprova. Chiudi sempre la valvola del gas durante il periodo di attesa di 5 minuti. Se il bruciatore a gas per Ooni Karu 12 non si accende ma la valvola è aperta, il gas continua a fuoriuscire dal bruciatore a gas per Ooni Karu 12 e può accidentalmente innescarsi, con il rischio di lesioni.
4. Qualora, in qualsiasi momento, riscontrassi una perdita di gas, **INTERROMPI** l'uso e chiama i vigili del fuoco. Le perdite di propano possono provocare esplosioni, incendi, gravi lesioni personali o la morte. Se senti odore di gas (1) chiudi l'alimentazione del gas al dispositivo, (2) spegni qualsiasi fiamma libera, e (3) se l'odore persiste, allontanati dal forno Ooni Karu 12 e chiama immediatamente il tuo fornitore di gas o i vigili del fuoco. Se non sei in grado di arrestare la perdita di gas, chiudi immediatamente la valvola del GPL (propano) e chiama il tuo fornitore di GPL o i vigili del fuoco. Se dalla bombola fuoriescono delle bolle, interrompi l'uso o sposta altrove il GPL (propano). Contatta il fornitore di GPL o i vigili del fuoco.
5. Non riporre né usare benzina o altri vapori o liquidi infiammabili nelle vicinanze del tuo forno Ooni Karu 12 o di qualsiasi altro dispositivo. Non inserire alcuno strumento od oggetto estraneo nello sfiato della valvola o nella valvola di sicurezza. La valvola potrebbe subire danni e provocare perdite. Non tentare mai di attaccare il bruciatore a gas per Ooni Karu 12 al sistema autonomo a GPL di un camper o di una roulotte. Non azionare mai il forno Ooni Karu 12 con GPL (propano) in posizioni diverse da quella specificata nelle istruzioni di montaggio. Chiudi sempre la valvola del GPL (propano) prima di spostare il GPL (propano) dalla posizione di funzionamento specificata. Ruota i comandi e l'alimentazione o il serbatoio di gas su OFF quando non sono in uso.
6. Usa il bruciatore a gas per Ooni Karu 12, così come lo hai acquistato, solo con GPL (propano) e con il gruppo regolatore/valvola fornito. Non tentare di riparare o alterare il tubo flessibile/la valvola/il regolatore se "sospetti" che siano difettosi. Qualsiasi modifica a questo gruppo costituirà un rischio di perdite di gas e incendi. Utilizza esclusivamente le parti di ricambio autorizzate fornite da Ooni Limited. **NON** riporre **MAI** una bombola di riserva di GPL (propano) sotto o vicino al forno Ooni Karu 12 o in uno spazio chiuso. Qualsiasi bombola di GPL (propano) non collegata per l'uso non deve mai essere riposta nelle vicinanze del forno Ooni Karu 12 o di qualsiasi altro dispositivo.
7. Il bruciatore a gas Ooni Karu 12 deve essere utilizzato unitamente al forno Ooni Karu 12, solo con GPL (propano) in bombole preconfezionate.

Una bombola di GPL (propano) conservata impropriamente costituisce un pericolo, a causa delle potenziali fughe di gas dalla valvola di sicurezza. Queste potrebbero provocare un forte incendio con rischio di danni materiali, gravi lesioni o morte. Se vedi, senti l'odore o il rumore di una fuoriuscita di gas, allontanati immediatamente dal GPL (propano)/dispositivo e chiama i vigili del fuoco.

OONI LIMITED, OONI INC O OONI GMBH NON SI ASSUMONO ALCUNA RESPONSABILITÀ, LEGALE O DI ALTRO TIPO, PER DANNI INCIDENTALI O CONSEGUENZIALI A BENI MATERIALI O PERSONE RISULTANTI DA UN USO DEL BRUCIATORE A GAS PER OONI KARU 12 NON CONFORME ALLE DISPOSIZIONI CONTENUTE NELLA PRESENTE ESCLUSIONE DI RESPONSABILITÀ.

OONI LIMITED, OONI INC O OONI GMBH NON SI ASSUMERANNO IN ALCUN CASO LA RESPONSABILITÀ PER DANNI PARTICOLARI, INDIRETTI, CONSEGUENZIALI NÉ PER DANNI DI QUALSIASI ALTRA NATURA PER IMPORTI SUPERIORI AL PREZZO DI ACQUISTO ORIGINALE DEL BRUCIATORE A GAS OONI KARU 12.

Alcuni Paesi o Stati non consentono l'esclusione o la limitazione dei danni incidentali o consequenziali, pertanto queste limitazioni o esclusioni potrebbero non essere applicabili nel tuo caso.

Informazioni sulla sicurezza

- Prima di utilizzare il dispositivo, leggi le istruzioni.
- Destinato all'uso solo in ambienti esterni.
- Attenzione! Le parti accessibili possono essere molto calde.
- Attenzione! Assicurarsi che i piedini di Ooni Karu 12 siano completamente aperti prima dell'uso
- Attenzione! Per evitare scosse elettriche, non toccare la punta dell'elettrodo durante l'accensione del bruciatore.
- Attenzione! Non regolare lo sfiato sul cielo e della canna fumaria durante l'uso.
- Attenzione! Tenersi a distanza dai fumi caldi dei gas di scarico provenienti dalla canna fumaria
- Attenzione! Garantire una distanza di almeno 3.5"/90 mm tra i bordi di tutti i piedini del forno e il bordo della superficie del tavolo.
- Tieni i bambini a distanza di sicurezza.
- Non spostare il dispositivo durante l'uso.
- Chiudi il gas sulla bombola dopo l'uso.
- Non alterare il dispositivo.
- Le parti sigillate dal produttore o dall'agente non devono essere manipolate dall'utente.
- Utilizza sempre guanti protettivi durante il contatto con componenti caldi.
- Il dispositivo può essere riposto in ambienti chiusi solo se la bombola è stata scollegata e rimossa da questo. Se il dispositivo non viene utilizzato per un certo periodo di tempo, deve essere rimosso dal forno e riposto nella sua confezione originale in uno spazio asciutto e privo di polvere.
- ATTENZIONE: tutte le operazioni di pulizia e manutenzione devono essere eseguite quando il forno è freddo e l'alimentazione di combustibile è disattivata e scollegata sulla bombola di gas.
- PRIMA DELL'USO VERIFICA LA PRESENZA DI PERDITE SUL DISPOSITIVO E SUI RACCORDI: non cercare eventuali perdite con una fiamma libera; usa esclusivamente una soluzione di sapone e acqua. Controllo delle perdite: il controllo delle perdite deve essere effettuato ogni volta che si collega una nuova bombola di gas o dopo lunghi periodi di inutilizzo del dispositivo. Accertati che la valvola sia correttamente allineata con il venturi. Assicurati che il tubo flessibile non presenti screpolature o fessurazioni. IMPORTANTE: se non riesci a fermare una perdita di gas, chiudi la valvola sulla bombola del gas e chiama il tuo rivenditore locale di bombole o i vigili del fuoco.
- Durante l'uso il dispositivo deve essere tenuto lontano da qualsiasi materiale infiammabile.
- Quando cambi la bombola del gas, accertati che la manopola del bruciatore a gas per Ooni Karu 12 sia in posizione 'off', scollega il regolatore dalla bombola del gas e rimuovila. Per tutta la durata della procedura, assicurati che la bombola rimanga almeno a 1 metro di distanza dal forno per evitare rischi di innesco.



Mettiti da un lato durante la riaccensione; non guardare mai direttamente verso il forno o la fiamma.



Il regolatore di gas fornito potrebbe non essere adeguato all'uso nel tuo territorio o nella tua regione. Per maggiori informazioni, consulta le normative in vigore a livello locale.

Punto 1

Installa il tubo flessibile (se necessario)

Regolatori e raccordi dei tubi variano in base alla regione.

Se il tuo bruciatore a gas per Ooni Karu 12 ha un tubo con estremità filettata femmina, segui il Punto 1a.

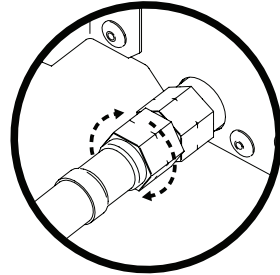
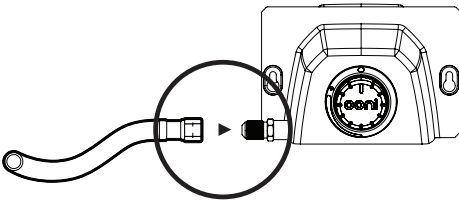
Se il tuo bruciatore a gas per Ooni Karu 12 ha un raccordo a barba filettato e un tubo standard con fascetta stringitubo, segui il Punto 1b quindi il Punto 1c.

Se il tuo bruciatore a gas per Ooni Karu 12 ha un tubo standard con fascetta stringitubo, segui il Punto 1c.

Se il tuo Bruciatore a gas per Ooni Karu 12 ha il tubo preinstallato, prosegui al Punto 2.

Punto 1a

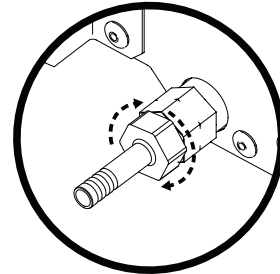
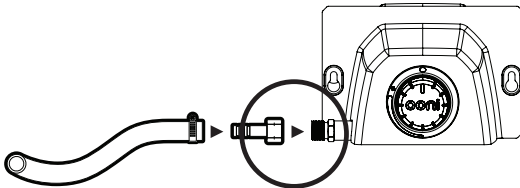
Serra con delle chiavi adeguate



! Se ti trovi in UE, serra in senso antiorario.

Punto 1b

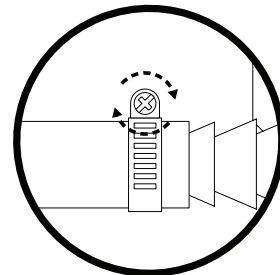
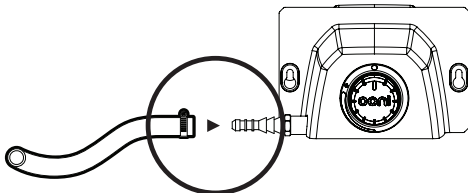
Serra con delle chiavi adeguate, quindi segui il Punto 1c.



! Se ti trovi in UE, serra in senso antiorario.

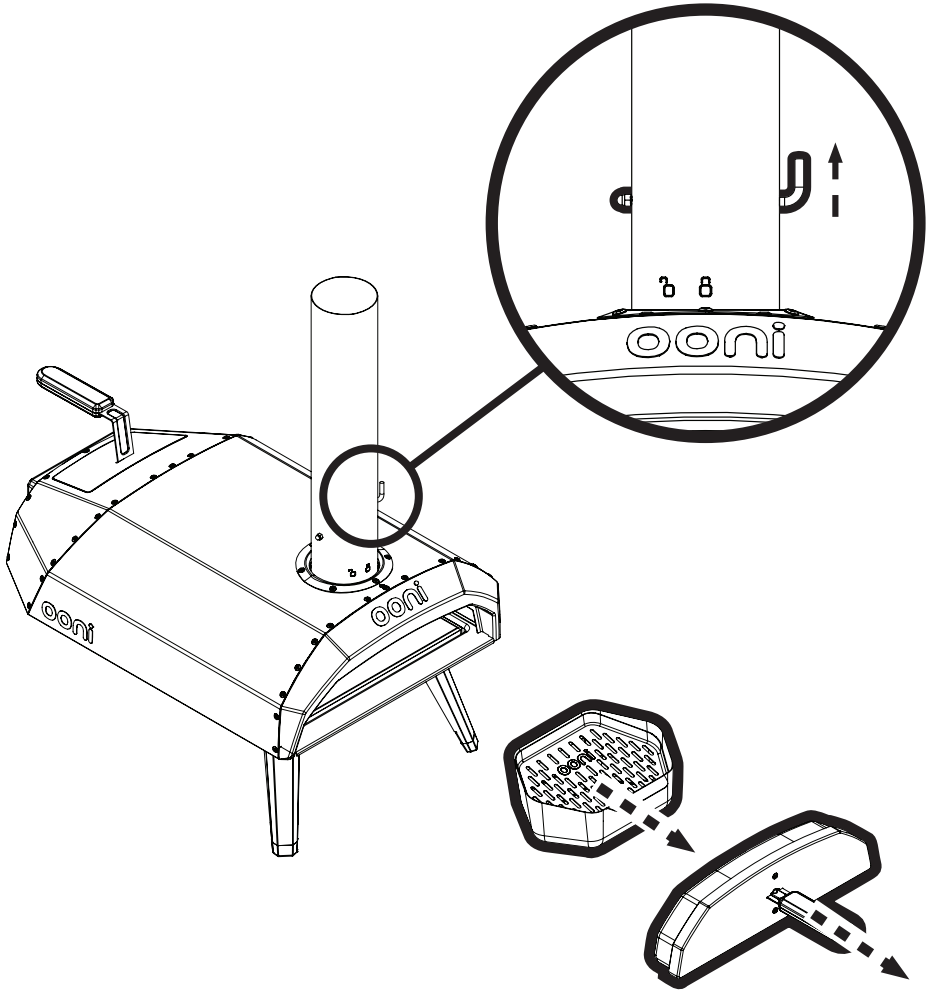
Punto 1c

Serra con un cacciavite adeguato.



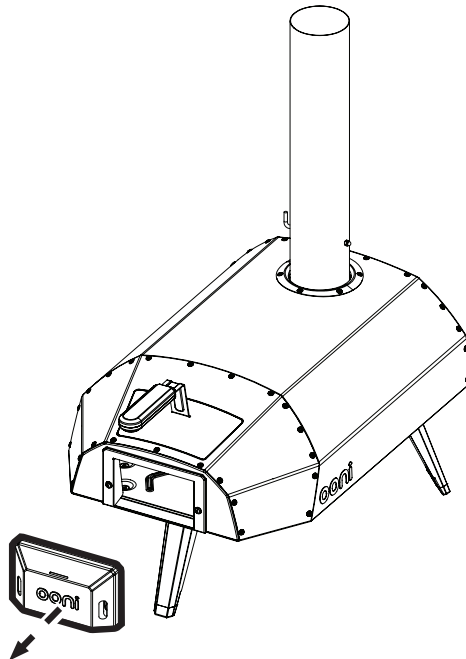
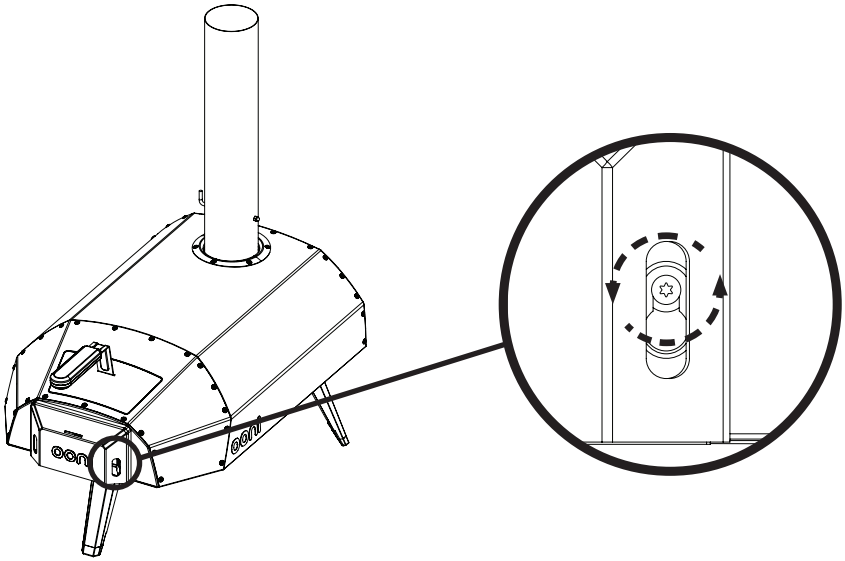
Punto 2

Rimuovi lo sportello e il vassoio del combustibile, e accertati che lo sfiato della canna fumaria sia aperto



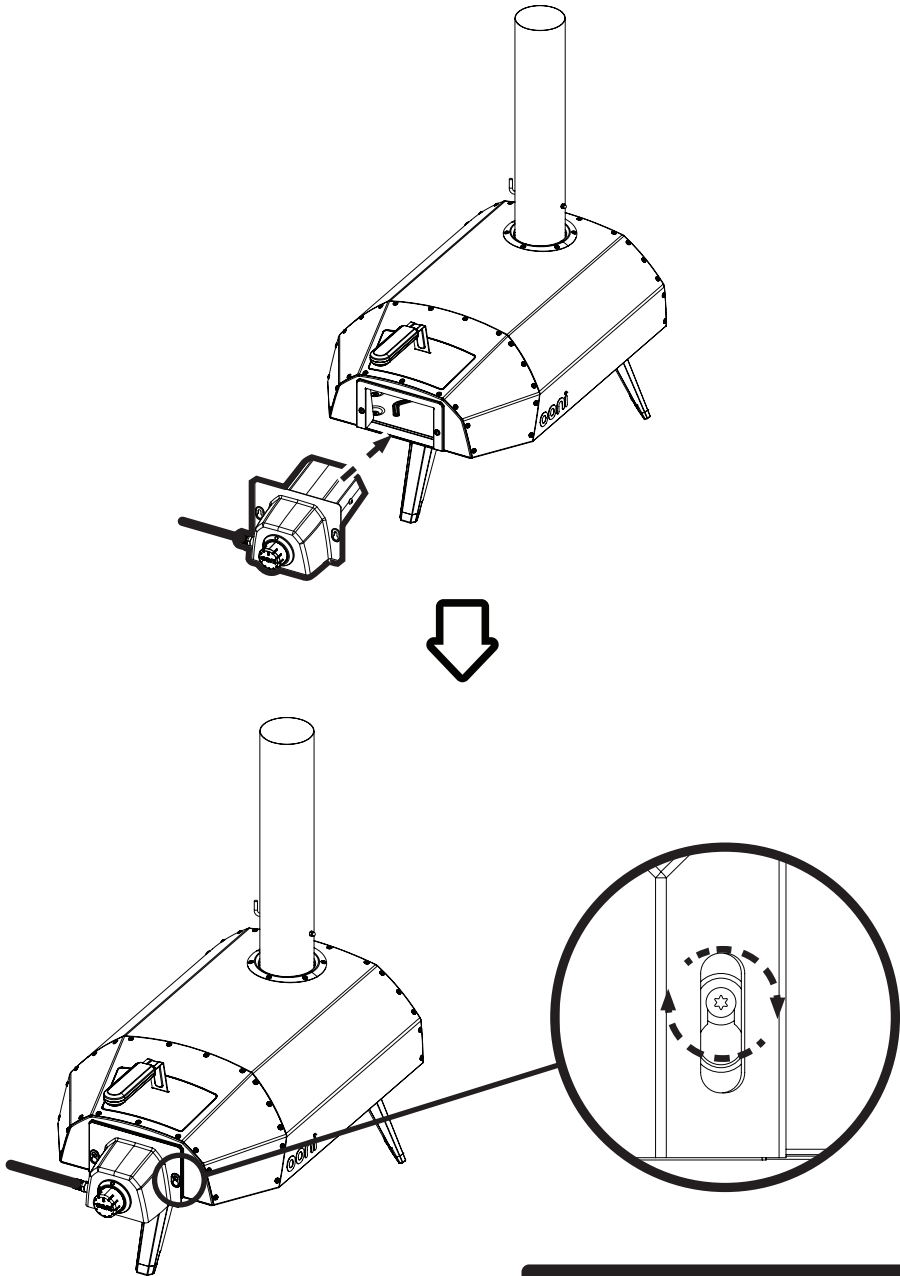
Punto 3

Rimuovi il coperchio antivento



Punto 4

Aggiungi il bruciatore a gas per Ooni Karu 12

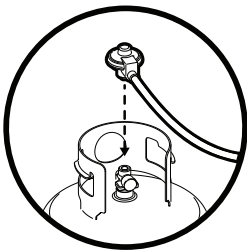


! Fissa con le viti senza serrarle eccessivamente

Punto 5

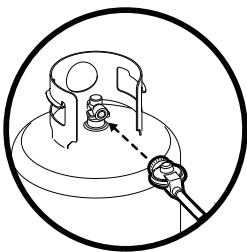
Effettua il collegamento alla bombola del gas

I regolatori variano in base alla regione.



Regolatore di gas Patio

È dotato di raccordo per gas a riscaldamento. Accertati che l'interruttore nero sia in posizione orizzontale. Rilascia il pulsante che si trova sotto l'interruttore nero e premi il regolatore sulla valvola della bombola fino a quando non si fissa in posizione.

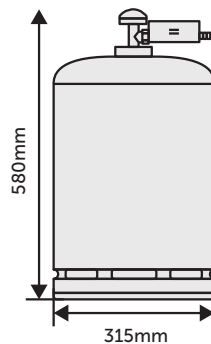


Regolatore di gas POL

Si tratta di un raccordo per gas filettato in senso antiorario. Assicurati che la bombola sia completamente chiusa e avvita il regolatore sul raccordo della valvola della bombola di gas fino a quando risulta serrato.

Informazioni di sicurezza per il gas

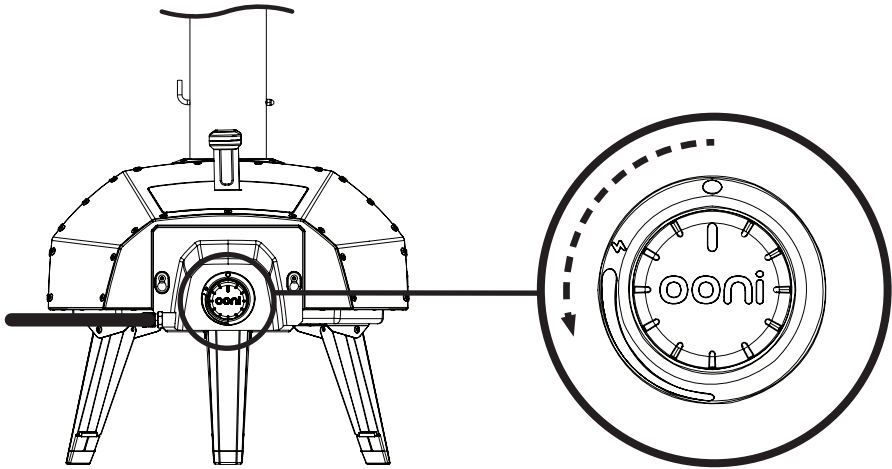
- Il dispositivo deve essere installato ad almeno 1 metro di distanza da qualsiasi materiale infiammabile.
- Il dispositivo deve essere posizionato su una superficie non infiammabile, stabile e piana.
- Accertati che il forno sia posizionato in un luogo dove non sia soggetto a condizioni climatiche avverse.
- Il dispositivo deve essere utilizzato solo con GPL (propano). La capacità minima della bombola è 4 kg, la capacità massima della bombola è 13 kg.
- Utilizza un regolatore adeguato, certificato EN 16129, e un tubo flessibile certificato EN 16436.
- La lunghezza del tubo non deve superare 1,5 metri. In caso di usura o danni, il tubo deve essere sostituito. Accertati che il tubo non sia ostruito, attorcigliato o a contatto con qualsiasi parte del forno che non sia il raccordo.
- Il tubo di alimentazione del gas deve essere controllato a intervalli regolari e deve essere sostituito in presenza di danni, e almeno ogni due anni.
- Per conoscere la frequenza di sostituzione del tubo flessibile, consulta i requisiti nazionali in vigore nel tuo Paese. Controlla regolarmente i requisiti in vigore nel tuo Paese.
- Se il venturi è bloccato, spegni immediatamente l'unità bruciatore, spegni e chiudi l'alimentazione del gas, e attendi che si raffreddi per rimuoverlo dal forno.
- Accertati che il dispositivo sia privo di detriti prima di ogni utilizzo. In presenza di accumuli di detriti, usa una spazzola per rimuoverli quando il dispositivo è freddo.



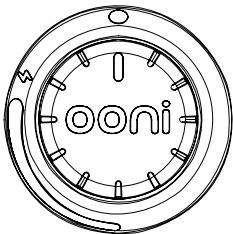
Punto 6

Accensione

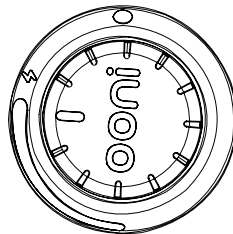
1. Accendi il gas dalla bombola.
2. Premi e ruota il pulsante in senso antiorario fino a quando produce un clic. Non ruotare troppo velocemente. Da quando premi al clic dovrebbero passare circa 3 secondi
3. Tieni premuto il pulsante per 5 secondi, quindi rilascialo.



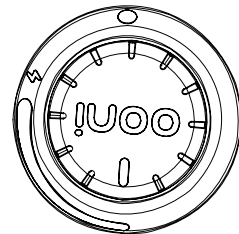
Spento



Potenza massima



Potenza minima

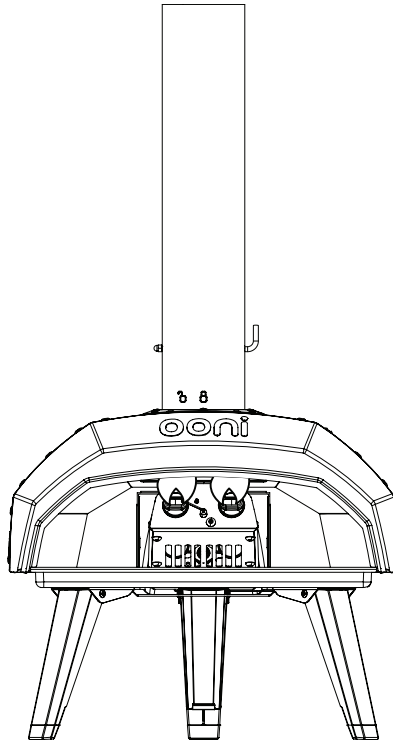


Stai lontano dal forno durante l'accensione, assicurati che nessuno sia a meno di 1 metro (3 piedi) di distanza dalla parte anteriore del forno. Mantieni la distanza di sicurezza quando accendi il forno e non sporgerti sul forno durante l'accensione.

Punto 7

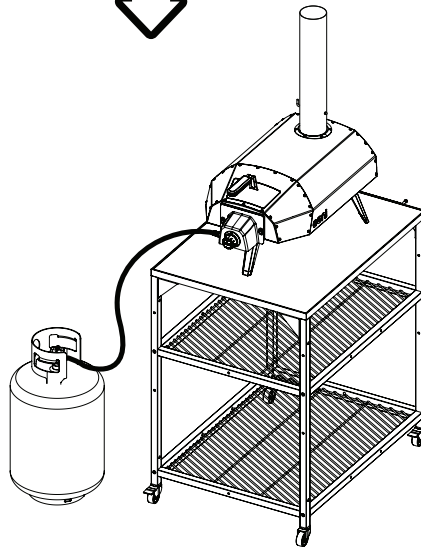
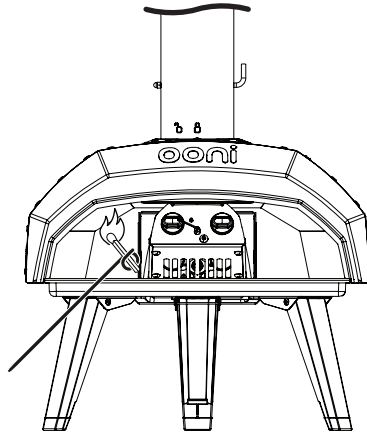
Verifica che il bruciatore a gas sia acceso

1. In caso contrario, chiudi il gas e torna al Punto 6.
2. Se il bruciatore ancora non si accende, passa al Punto 8.



Punto 8 Accensione con un fiammifero

Se il bruciatore ancora non sia accende, accendi il gas e la fiamma con un fiammifero, utilizzando il portafiammifero fornito, facendolo passare dalla parte anteriore del forno. Tienilo davanti ai bruciatori. Premi e ruota la manopola come descritto al Punto 6.



⚠ Indirizza sempre il tubo del gas lontano dal forno. Il tubo non deve toccare il corpo del forno

⚠ Se le fiamme si spengono, chiudi il gas e attendi 5 minuti prima di riaccendere

Risoluzione dei problemi









Problema	Possibile causa	Prevenzione/soluzione
Il mio forno non scalda abbastanza	<ol style="list-style-type: none"> 1. Bombola del gas vuota 2. Fessurazioni o perdite nel tubo 3. Regolatore fissato in modo non corretto 4. Funzionamento in condizioni estreme 	<ol style="list-style-type: none"> 1. Controlla che la bombola del gas sia piena; anche in presenza di un'esigua quantità di gas le prestazioni del bruciatore a gas potrebbero risentirne 2. Accertati che il tubo non presenti fessurazioni o perdite 3. Assicurati che il regolatore sia correttamente fissato sulla bombola del gas e il tubo sia saldamente collegato al bruciatore a gas, serrato con chiavi delle dimensioni corrette, come specificato nel manuale di istruzioni. 4. Il bruciatore a gas e il forno non devono essere utilizzati in condizioni climatiche estreme (ad es. vento forte)
Il bruciatore a gas non si accende	<ol style="list-style-type: none"> 1. Configurazione errata 2. Bombola del gas vuota 3. Fessurazione o perdita dal tubo 4. Tecnica di accensione errata. 5. Regolatore fissato in modo non corretto 6. Allineamento dell'accenditore non corretto 	<ol style="list-style-type: none"> 1. Controlla che il cappello della canna fumaria sia stato rimosso e che gli sfati del cielo e della canna fumaria siano aperti. Lo sportello deve essere aperto. 2. Controlla che la bombola del gas sia piena; anche in presenza di un'esigua quantità di gas le prestazioni del bruciatore a gas potrebbero risentirne 3. Accertati che il tubo non presenti fessurazioni o perdite 4. Ruotando la manopola troppo velocemente si rischia di impedire l'accensione del bruciatore a gas. 5. Assicurati che il regolatore sia correttamente fissato sulla bombola del gas e il tubo sia saldamente collegato al bruciatore a gas, serrato con chiavi delle dimensioni corrette, come specificato nel manuale di istruzioni 6. Riposiziona la punta dell'accenditore in modo che sia a 2-3 mm di distanza dalla parte anteriore del tappo del bruciatore.
La fiamma è troppo gialla/troppo blu	Variazioni ambientali, negli alimenti cucinati, nella temperatura ambiente e nelle condizioni del forno Ooni potrebbero influenzare il colore della fiamma	Il colore della fiamma non incide sul sapore o sulla qualità degli alimenti.
Il dispositivo di controllo della fiamma non funziona correttamente	Potrebbe esservi un accumulo di fuliggine sulla sonda del dispositivo di controllo della fiamma	Accertati che il bruciatore a gas e l'alimentazione a gas siano spenti, attendi che il bruciatore si sia raffreddato, pulisci delicatamente la sonda e i fori del bruciatore con un panno umido, lascia che il bruciatore si asciughi completamente prima di riaccenderlo.
Il bruciatore a gas per Ooni non mantiene la fiamma	<ol style="list-style-type: none"> 1. Carezza di ossigeno 2. Forno posizionato su una superficie irregolare 	<ol style="list-style-type: none"> 1. Apri lo sfato della canna fumaria del tuo Ooni Pro per agevolare il flusso d'aria attraverso il forno 2. Se il tuo Ooni è montato in posizione inclinata, l'ossigeno non riesce a circolare correttamente. Cerca di posizionarlo su una superficie piana.
Sento una specie di "ruggito" che proviene dal bruciatore a gas e le fiamme sono molto deboli	La fiamma sta bruciando dentro ai venturi	Spegni immediatamente l'alimentazione a gas e il bruciatore, attendi 5 minuti e riaccendi il bruciatore a gas.

Informazioni tecniche sul prodotto

Numero modello

Brucciatore a gas Ooni Karu 12

Etichetta del prodotto

		 2531-21 2531DM-0024	
Ooni GmbH, Simrockstraße 11, 53113 Bonn, Germany		I3+ (28-30/37)	
Ooni Karu 12 Gas Burner		28-30 mbar Butane Butan Butano	37 mbar Propane Propan Propano
5.3 kW, 386g/h	0.81 mm * 2		
BE, CH, ES, FR, GB, IE, IT, LU, PT			
<p>EN: Use outdoors only. Read the instructions before using the appliance. WARNING: accessible parts may be very hot. Keep young children away. This appliance must be kept away from flammable materials during use. Do not move the appliance during use. Turn off the gas supply at the gas cylinder after use. Do not modify the appliance.</p>		<p>DE: Nur im Freien verwenden. Lies dir die Bedienungsanleitung vollständig durch, bevor du das Gerät benutzt. WARNUNG: Zugängliche Teile können sehr heiß werden. Halte kleine Kinder fern. Dieses Gerät muss während des Gebrauchs von brennbaren Materialien ferngehalten werden. Verschiebe das Gerät während der Verwendung nicht. Schalte die Gaszufuhr nach Gebrauch an der Gasflasche aus. Andere nichts am Gerät.</p>	
 <p>Stand to side when relighting - never look directly into the oven or at the flame.</p>		 <p>Stehe beim Anzünden auf der Seite – schau niemals direkt in den Ofen oder auf die Flamme.</p>	
<p>ES: Uso al aire libre exclusivamente. Lea las instrucciones antes de usar el aparato. ADVERTENCIA: las piezas accesibles pueden estar muy calientes. Mantenga alejados a los niños. Este aparato debe mantenerse alejado de cualquier material inflamable durante su uso. No mueva el aparato mientras esté en uso. Cierre el suministro de gas en la bombona después de su uso. No modifique el aparato.</p>		<p>FR: Usage en extérieur uniquement. Lis ces instructions avant d'utiliser l'appareil. AVERTISSEMENT : les parties accessibles peuvent être très chaudes. Les jeunes enfants doivent être tenus à l'écart. Cet appareil doit être tenu à l'écart de tout matériau inflammable pendant son utilisation. Ne déplace pas l'appareil durant l'utilisation. Coupe l'alimentation en gaz au niveau de la bombonne de gaz après utilisation. N'apporte aucune modification à l'appareil.</p>	
 <p>Colóquese a un lado cuando vuelva a encenderlo, nunca mire directamente al horno o a la flama.</p>		 <p>Tiens-toi sur le côté lors du réallumage. Ne regarde jamais directement la flamme ou l'intérieur du four.</p>	
<p>IT: Utilizzalo esclusivamente all'aria aperta. Prima di utilizzare il dispositivo, leggi le istruzioni. ATTENZIONE: le parti accessibili possono essere molto calde. Tieni i bambini a distanza di sicurezza. Durante l'uso il dispositivo deve essere tenuto a distanza da qualsiasi materiale infiammabile. Non spostare il dispositivo durante l'uso. Chiudi il gas sulla bombola dopo l'uso. Non alterare il dispositivo.</p>		<p>PT: Utilize apenas ao ar livre. Leia as instruções antes de utilizar o aparelho. AVISO: as partes acessíveis podem estar muito quentes. Manter afastado das crianças. Deve-se manter este aparelho afastado de materiais inflamáveis durante a sua utilização. Não mova o aparelho durante a sua utilização. Desligue o fornecimento de gás na botija de gás após a sua utilização. Não modifique o aparelho.</p>	
 <p>Mettiti da un lato durante la riaccensione, e non guardare mai direttamente verso il forno o la fiamma.</p>		 <p>Afaste-se um pouco quando reacender - nunca olhe diretamente para o forno ou para a chama.</p>	

Iniettori

Marcatura iniettori: **0,81 mm**

Marcatura: **0,81**

Quando il diametro dell'iniettore è 0,81 mm utilizza il regolatore da 37 mbar fornito con la bombola di GPL (propano).

Termo de Responsabilidade sobre Segurança: ler na íntegra antes de utilizar

Leia na totalidade a presente isenção de responsabilidade antes de montar, instalar e utilizar/fazer a manutenção da peça de ligação do seu Ooni Gas Burner para Ooni Karu 12 em ligação com o seu forno Ooni Karu 12. O não cumprimento de todas as disposições do presente aviso legal pode resultar em danos materiais, lesões corporais graves ou mesmo a morte, ou em caso de incêndio, causar danos à propriedade.

1. Ao utilizar o forno Ooni Karu 12 juntamente com a respetiva peça de ligação Ooni Gas Burner para Ooni Karu 12, lembre-se de que (1) a peça de ligação do Ooni Gas Burner para Ooni Karu 12 só deve ser utilizada com o seu Ooni, o que exclui qualquer outro aparelho, e (2) a totalidade das disposições da isenção de responsabilidade legal de segurança do forno Ooni Karu 12 também se aplica à utilização da peça de ligação do Ooni Gas Burner para Ooni Karu 12, para além das disposições da presente isenção de responsabilidade legal de segurança. Aconselhamos vivamente que não utilize o seu forno Ooni Karu 12 com a peça de ligação do Ooni Gas Burner para Ooni Karu 12 até que o seu forno Ooni Karu 12 tenha sido exaustiva e adequadamente testado quanto a fugas de gás.
2. Os subprodutos da combustão, resultantes da utilização do forno Ooni Karu 12 com a sua peça de ligação do Ooni Gas Burner para Ooni Karu 12, contêm carbono e monóxido de carbono no gás de combustão do Ooni Gas Burner para Ooni Karu 12; estas substâncias, se quando inaladas em ambientes fechados ou em qualquer outra área não ventilada, são conhecidas como uma possível causa de morte por asfixia e/ou envenenamento por monóxido de carbono.
3. Se o Ooni Gas Burner para Ooni Karu 12 não acender, desligue os botões, espere 5 minutos e tente novamente. Feche sempre a válvula de gás durante o período de espera de 5 minutos. Se o Ooni Gas Burner para Ooni Karu 12 não acender com a válvula aberta, o gás continuará a fluir para fora do Ooni Gas Burner para Ooni Karu 12 e pode acidentalmente pegar fogo, resultando em risco de ferimentos.
4. A qualquer altura em que seja detetada uma fuga de gás, PARE e chame imediatamente a corporação de bombeiros. Uma fuga de propano pode resultar em explosão, incêndio, lesões pessoais graves ou mesmo a morte. Se detetar um cheiro a gás (1) desligue o gás do aparelho, (2) apague qualquer chama aberta e, (3) Se o odor persistir, mantenha-se afastado do forno Ooni Karu 12 e ligue imediatamente para o fornecedor de gás ou para a corporação de bombeiros. Se não conseguir parar uma fuga de gás, feche imediatamente a válvula de GLP (propano) e ligue para o fornecedor de gás LP ou para a corporação de bombeiros. Se aparecerem bolhas "a crescer" na botija, não use ou mova o GLP (propano). Entre em contacto com um fornecedor de gás de PL ou com a corporação de bombeiros
5. Não armazene ou utilize gasolina ou outros líquidos ou vapores inflamáveis nas proximidades do forno Ooni Karu 12 ou de qualquer outro aparelho. Não insira qualquer ferramenta ou objeto estranho da válvula de alívio ou da válvula de sobrepressão. Pode danificar a válvula e causar uma fuga. Nunca tente ligar o seu Ooni Gas Burner para Ooni Karu 12 ao sistema autónomo de gás de PL de um atrelado de campismo ou de uma auto caravana. Nunca opere o seu forno Ooni Karu 12 com GLP (propano) em qualquer outra posição que não a especificada nas instruções de montagem. Feche sempre a válvula de GLP (propano) antes de mover o GLP (propano) da posição de operação especificada. DESLIGUE os controlos e a fonte ou o tanque de gás ou quando não estiverem a ser utilizados.
6. Utilize o Ooni Gas Burner para Ooni Karu 12, conforme adquirido, apenas com GPL (propano) e o conjunto regulador/válvula fornecido. Não tente reparar ou alterar a mangueira/válvula/regulador para qualquer defeito "presumido". Qualquer modificação neste conjunto criará o risco de fuga de gás e perigo de incêndio. Utilize apenas peças de substituição autorizadas e fornecidas pela Ooni Limited. NUNCA armazene GLP (propano) sobressalente por baixo ou próximo do forno Ooni Karu 12 ou numa área fechada. Um GLP (propano) não ligado para uso não deve ser armazenado nas proximidades do seu forno Ooni Karu 12 ou de qualquer outro aparelho.
7. Deve utilizar a sua peça de ligação do Ooni Gas Burner para Karu 12, em ligação com o seu forno Ooni Karu 12, apenas com GLP pré-engarrafado (propano).

Um GPL (propano) armazenado incorretamente constitui um perigo devido à possível libertação de gás da válvula de descompressão de segurança. Pode causar um incêndio intenso com risco de danos materiais, ferimentos graves ou morte. Se vir, cheirar ou ouvir gás a vazar, afaste-se imediatamente do aparelho/GPL (propano) e chame a corporação de bombeiros.

A OONI LIMITED, OONI INC OU OONI GMBH NÃO ACEITAM QUALQUER RESPONSABILIDADE, LEGAL OU NÃO, POR DANOS ACIDENTAIS OU CONSEQUENCIAIS, À PROPRIEDADE OU A PESSOAS, RESULTANTES DA UTILIZAÇÃO DA PEÇA DE FIXAÇÃO DO OONI GAS BURNER PARA OONI KARU 12 QUE NÃO CUMPRE/NÃO TENHA CUMPRIDO QUALQUER UMA DAS DISPOSIÇÕES DA PRESENTE ISENÇÃO DE RESPONSABILIDADE.

A OONI LIMITED, OONI INC OU OONI GMBH NÃO SERÃO, EM QUALQUER CASO, RESPONSÁVEIS POR QUAISQUER DANOS ESPECIAIS, INDIRETOS, CONSEQUENCIAIS OU OUTROS DE QUALQUER NATUREZA QUE EXCEDAM O PREÇO DE COMPRA ORIGINAL DA SUA PEÇA DE FIXAÇÃO DO OONI GAS BURNER PARA OONI KARU 12.

Alguns estados ou países não permitem a exclusão ou limitação de danos incidentais ou consequenciais, pelo que tais limitações ou exclusões podem não se aplicar a si.

Informação de segurança

- Leia as instruções antes de utilizar o aparelho.
- Apenas pode ser utilizado no exterior.
- Aviso! As partes acessíveis podem estar muito quentes.
- Aviso! Certifique-se de que as pernas do Ooni Karu 12 estão totalmente estendidas antes de o utilizar
- Aviso! Para evitar choques, não toque na ponta do eletrodo ao acender o queimador.
- Aviso! Não ajuste a ventilação do tecto ou da chaminé durante a utilização.
- Atenção! Mantenha-se afastado dos gases quentes de exaustão provenientes da chaminé
- Aviso! Certifique-se de que há uma distância mínima de 3,5"/90 mm entre as extremidades de qualquer uma das pernas do forno e a extremidade da superfície da mesa.
- Manter afastado das crianças.
- Não mova o aparelho durante a sua utilização.
- Desligue o fornecimento de gás na botija de gás após a sua utilização.
- Não modifique o aparelho.
- As peças seladas pelo fabricante ou agente não devem ser manipuladas pelo utilizador.
- Utilize sempre luvas de proteção ao manusear componentes quentes.
- O armazenamento de um aparelho dentro de casa só é permitido se a botija for desligada e removida do aparelho. Quando o aparelho não for utilizado por um período de tempo, deve ser retirado do forno e armazenado na sua embalagem original num ambiente livre de poeira e seco.
- ATENÇÃO: Toda limpeza e manutenção devem ser feitas com o forno frio e com o combustível desligado na botija de gás e desconectado.
- ANTES DE UTILIZAR VERIFIQUE O APARELHO E AS LIGAÇÕES PROCURANDO FUGAS: Nunca verifique a existência de fugas com uma chama a descoberto, utilize sempre uma solução de água com sabão. Teste de estanqueidade: verifique se existem fugas cada vez que um novo tanque de gás for ligado ou após um longo período de paragem do aparelho. Certifique-se de que a válvula está alinhada corretamente com o venturi. Certifique-se de que a mangueira não apresenta rachas ou fissuras. IMPORTANTE: se não conseguir estancar uma fuga de gás, desligue a válvula do tanque de gás e chame o revendedor local de gás ou a corporação de bombeiros.
- O aparelho deve ser mantido afastado de materiais inflamáveis durante a sua utilização.
- Ao trocar a botija de gás, certifique-se de que o botão do Ooni Karu 12 Gas Burner está na posição "off" (desligado), desligue o regulador da botija de gás e remova a botija. Durante este processo, certifique-se de que o recipiente mantém pelo menos 1 metro de distância do forno para evitar riscos de ignição.



Afaste-se um pouco quando reacender - nunca olhe diretamente para o forno ou para a chama.



O regulador de gás fornecido pode não ser adequado para utilização no seu território ou região, consulte os regulamentos locais para obter mais informações.

Passo 1

Instale a mangueira (se necessário)

Os reguladores e as ligações de mangueiras variam dependendo da sua região.

Se o seu Ooni Gas Burner para Ooni Karu 12 tiver uma mangueira roscada, siga o Passo 1a.

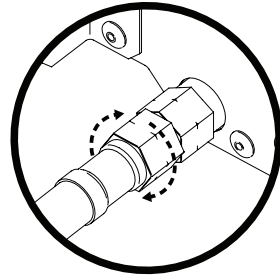
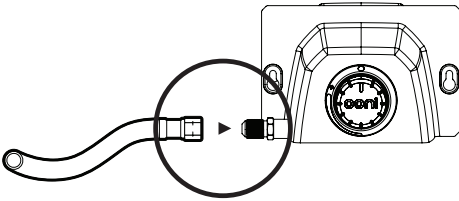
Se o seu Ooni Gas Burner para Ooni Karu 12 tiver uma farpa roscada e uma mangueira convencional com uma braçadeira de mangueira, siga o Passo 1b e depois o 1c.

Se o seu Ooni Gas Burner para Ooni Karu 12 tiver uma farpa roscada e uma mangueira regular com uma braçadeira de mangueira, siga o Passo 1b e depois o 1c.

Se o seu Ooni Gas Burner para Ooni Karu 12 tiver a mangueira pré-instalada, siga para o Passo 2.

Passo 1a

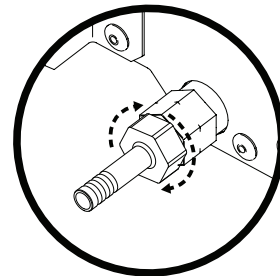
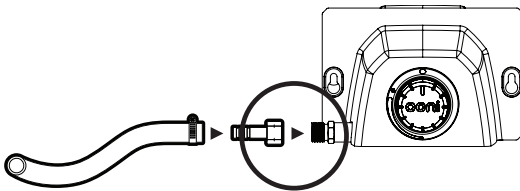
Aperte com chaves adequadas



! Aperte no sentido contrário ao dos ponteiros do relógio na EU.

Passo 1b

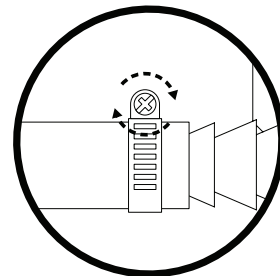
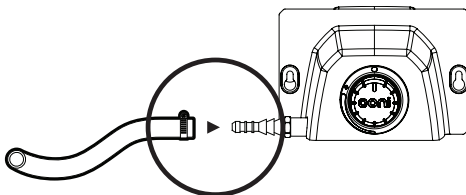
Aperte com chaves adequadas e siga o Passo 1c.



! Aperte no sentido contrário ao dos ponteiros do relógio na EU.

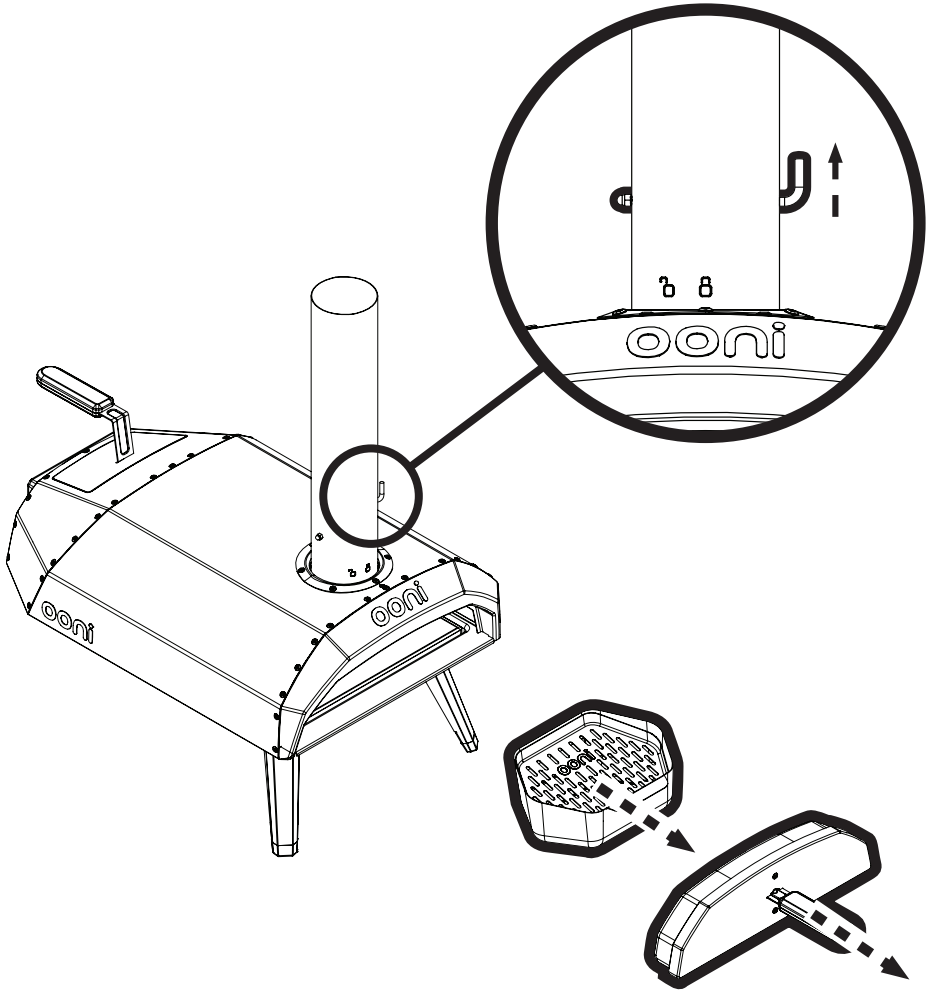
Passo 1c

Aperte com chave de fendas adequada.



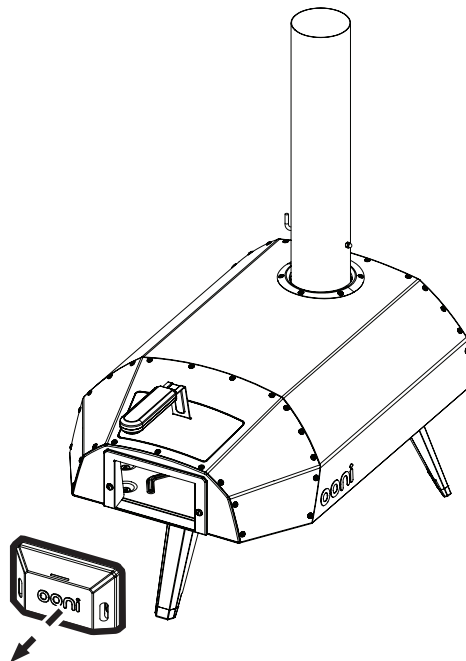
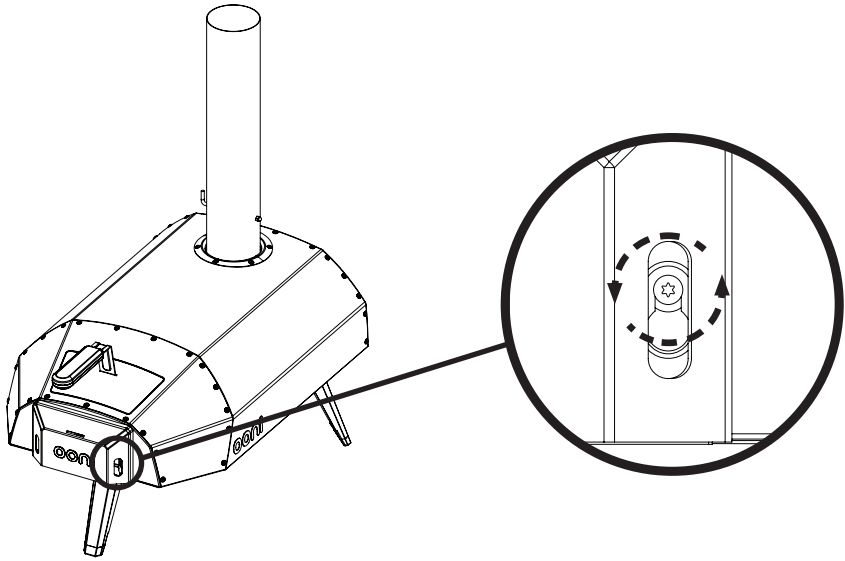
Passo 2

Remova a porta e a bandeja de combustível e verifique se a ventilação da chaminé está aberta



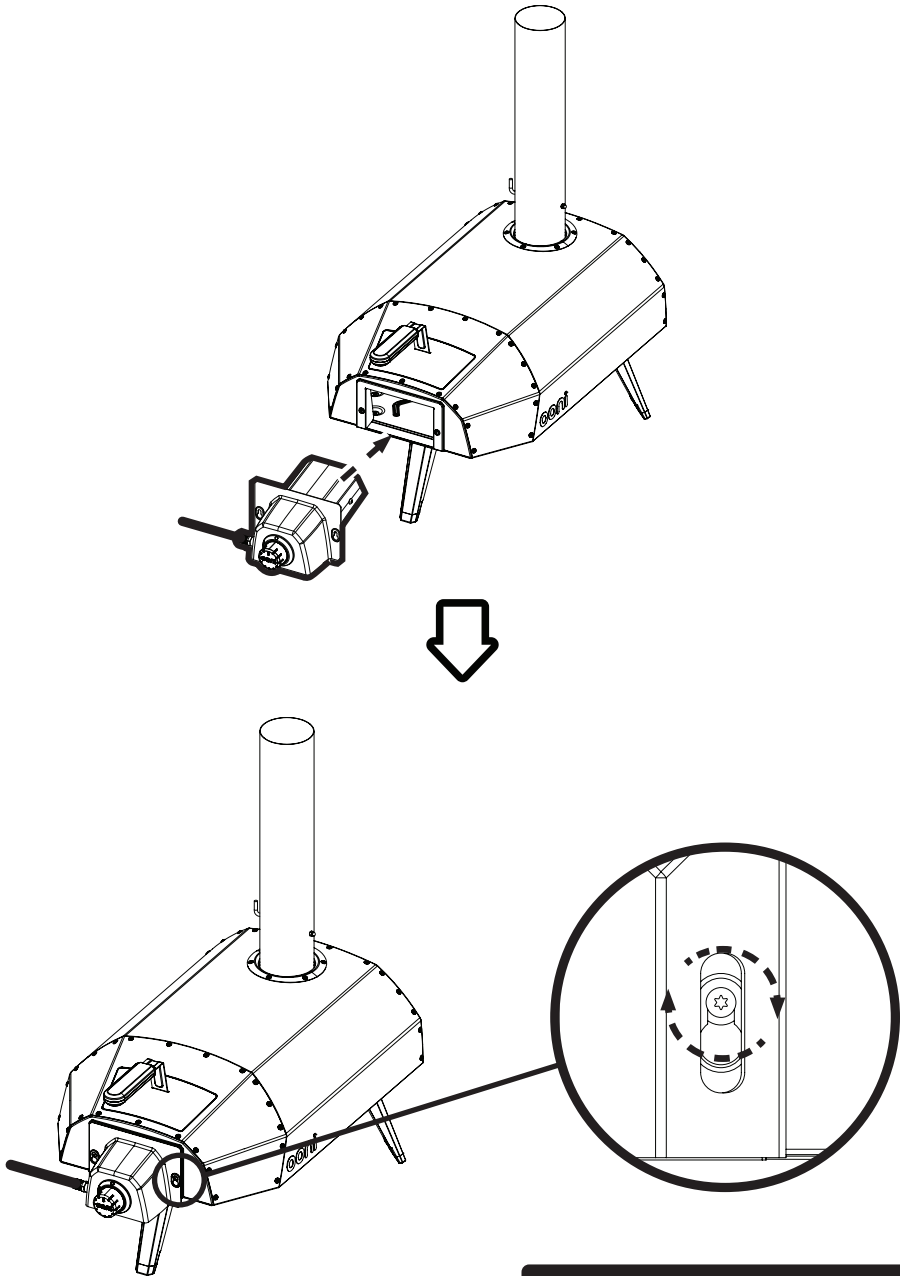
Passo 3

Remova a placa de proteção de entrada de ar



Passo 4

Adicione o Ooni Gas Burner para Ooni Karu 12

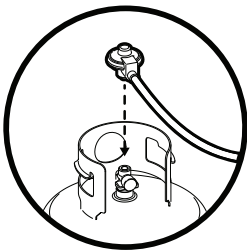


! Aperte os parafusos, mas não demais

Passo 5

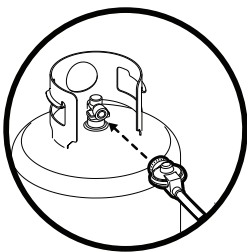
Ligue ao cilindro de gás

Os reguladores variam dependendo da região.



Regulador de gás de pátio

Esta é uma ligação de gás push-on. Certifique-se de que o interruptor preto se encontra na posição horizontal. Pressione o botão localizado abaixo do interruptor preto e pressione o regulador na válvula do tanque até este se fixar no lugar.

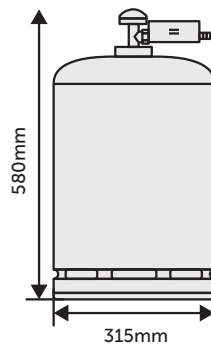


Regulador de gás POL

Esta é uma ligação de gás roscada no sentido contrário ao dos ponteiros do relógio. Certifique-se de que o tanque está totalmente desligado e aparafuse o regulador na ligação da válvula do tanque de gás até ficar apertado.

Informações de segurança de gás

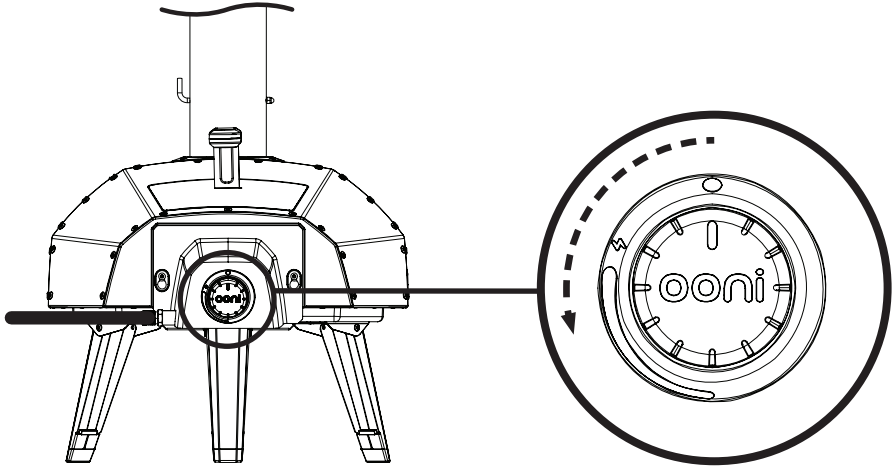
- O aparelho deve ser instalado a pelo menos 1 metro de qualquer material inflamável.
- O forno deve ser colocado sobre uma superfície não inflamável, estável e plana.
- Certifique-se de que o forno é colocado numa área que não seja afetada por clima adverso.
- O aparelho deve apenas ser utilizado com GLP propano. Capacidade mínima da botija 4 kg, capacidade máxima da botija 13 kg.
- Utilize um regulador fornecido adequado certificado para EN 16129 e uma mangueira flexível certificada para EN 16436.
- O comprimento da mangueira não deve ser superior a 1,5 metros. A mangueira gasta ou danificada deve ser substituída. Certifique-se de que a mangueira não se encontra obstruída, dobrada ou em contacto com qualquer outra parte do forno para além da sua ligação.
- A mangueira de fornecimento de gás deve ser verificada periodicamente e substituída se danificada e pelo menos a cada dois anos.
- Os requisitos nacionais do seu país irão informá-lo sobre a frequência de substituição da mangueira. Reveja regularmente tais requisitos no que se refere ao seu país.
- No caso do venturi se encontrar bloqueado, desligue imediatamente o queimador, desligue o gás, desligue o gás e espere até que arrefeça para remover do forno.
- Certifique-se de que o aparelho não tenha resíduos antes de cada utilização. Se algum resíduo se acumular, utilize uma escova para o remover assim que o aparelho arrefecer.



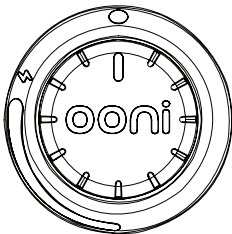
Passo 6

Ignição

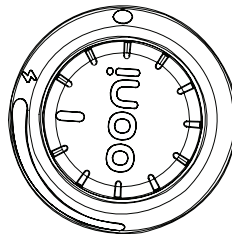
1. Ligue o gás na botija de gás.
2. Empurre e gire o botão no sentido contrário ao dos ponteiros do relógio até ouvir um clique. Não rode demasiado rápido.
Desde que pressiona até clicar deve demorar cerca de 3 segundos
3. Segure o botão durante 5 segundos e solte.



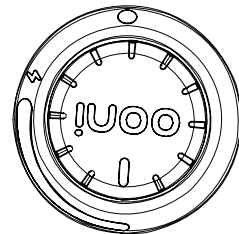
Desligado



Potência máxima



Potência mínima

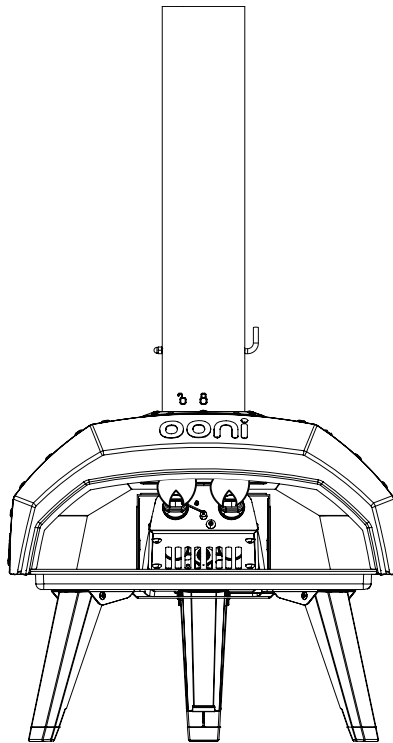


Afaste-se do forno ao acender - certifique-se de que ninguém está a menos de 1 metro (3 pés) da frente do forno. Mantenha-se à distância de um braço do forno ao acender e não se incline sobre o forno ao acender.

Passo 7

Verifique se o queimador de gás está ligado

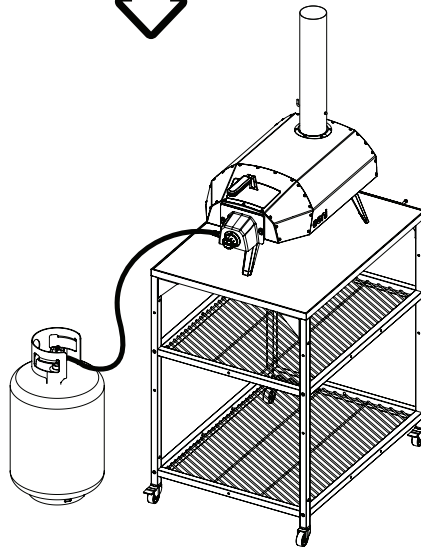
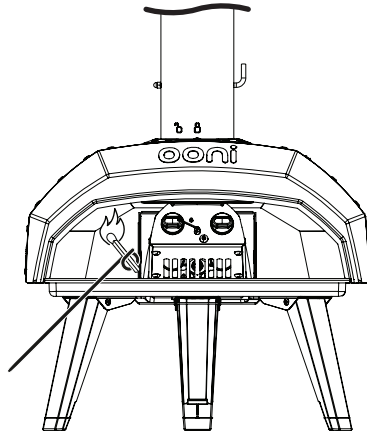
1. Caso contrário, desligue o gás e volte ao Passo 6.
2. Se o queimador ainda não acender, volte ao Passo 8.



Passo 8

Ignição - utilizando um fósforo

Se o queimador continuar sem acender; ligue o gás e acenda utilizando um fósforo e o suporte para fósforos fornecido pela frente do forno. Segure-o à frente dos queimadores. Pressione e rode o botão conforme descrito no Passo 6.



Direcione sempre a mangueira de gás para longe do forno. A mangueira não deve tocar no corpo do forno



Se as chamas se apagarem, desligue o gás e espere 5 minutos antes de voltar a acender

Resolução de problemas








Problema	Possível causa	Prevenção/solução
O meu forno não está a aquecer o suficiente	<ol style="list-style-type: none"> 1. Botija de gás vazia 2. Cortes ou fugas na mangueira 3. Regulador indevidamente arranjado 4. Operação em condições extremas 	<ol style="list-style-type: none"> 1. Verifique se a botija de gás está cheia, mesmo uma botija com pouco gás dentro pode afetar o desempenho do queimador de gás 2. Certifique-se de que não haja cortes ou fugas na mangueira 3. Certifique-se de que o regulador está devidamente fixado à garrafa de gás e a mangueira está firmemente ligada ao queimador de gás apertado com chaves de tamanho apropriado, conforme descrito no manual de instruções 4 O seu queimador de gás e forno não devem ser utilizados em condições extremas (por exemplo, vento forte)
O meu queimador de gás não acende	<ol style="list-style-type: none"> 1. Erro na montagem 2. Botija de gás vazia 3. Cortes ou fugas na mangueira 4. Técnica de ignição inadequada. 5. Regulador mal fixado 6. Alinhamento impróprio do componente gerador de faíscas 	<ol style="list-style-type: none"> 1. Certifique-se de que a tampa da chaminé foi removida e as aberturas do tejadilho e da chaminé estão abertas. A porta deve estar aberta. 2. Verifique se a botija de gás está cheia, mesmo uma botija com pouco gás dentro pode afetar o desempenho do queimador de gás 3. Certifique-se de que não haja cortes ou fugas na mangueira 4. Rodar o botão demasiado rápido pode impedir o queimador de gás de acender. 5. Certifique-se de que o regulador está devidamente fixado à garrafa de gás e a mangueira está firmemente ligada ao queimador de gás apertado com chaves de tamanho apropriado, conforme descrito no manual de instruções 6. Reposicione a ponta do isqueiro de forma a que fique entre 2 a 3 mm afastada da frente da tampa do queimador.
A minha chama é muito amarela/azul	Variações no ambiente, a comida que cozinha, temperatura ambiente e a condição do seu forno Ooni podem afetar a cor da chama	A cor da chama não afeta o sabor ou a qualidade da comida.
O meu FSD não está a funcionar corretamente	Pode existir uma acumulação de fuligem na sonda FSD	Certifique-se de que o queimador de gás e o fornecimento de gás estão desligados, espere que o queimador arrefeça, limpe cuidadosamente a sonda e os orifícios do queimador com um pano húmido, deixe o queimador secar completamente antes de acender novamente.
Queimador de gás para o Ooni não irá manter a sua chama	<ol style="list-style-type: none"> 1. Falta de oxigénio 2. Forno colocado sobre uma superfície não plana 	<ol style="list-style-type: none"> 1. Abra a ventilação da chaminé do seu Ooni Pro para estimular um melhor fluxo de ar através do forno 2. Se o Ooni estiver inclinado quando montado, o oxigénio também não irá fluir. Experimente montá-lo numa superfície plana.
Oíço um "som estrondoso" vindo do queimador de gás e as chamas estão muito fracas	A chama está a arder dentro dos venturos	Desligue imediatamente a alimentação de gás e o queimador de gás, aguarde 5 minutos e volte a acender o queimador.

Informação técnica do produto

Número do modelo

Ooni Karu 12 Gas Burner

Rótulo do produto

ooni		 2531-21 2531DM-0024	
Ooni GmbH, Simrockstraße 11, 53113 Bonn, Germany		I3+ (28-30/37)	
Ooni Karu 12 Gas Burner		28-30 mbar	37 mbar
5.3 kW, 386g/h 0.81 mm * 2		Butane Butan Butano	Propane Propan Propano
BE, CH, ES, FR, GB, IE, IT, LU, PT			
EN: Use outdoors only. Read the instructions before using the appliance. WARNING: accessible parts may be very hot. Keep young children away. This appliance must be kept away from flammable materials during use. Do not move the appliance during use. Turn off the gas supply at the gas cylinder after use. Do not modify the appliance.		DE: Nur im Freien verwenden. Lies dir die Bedienungsanleitung vollständig durch, bevor du das Gerät benutzt. WARNUNG: Zugängliche Teile können sehr heiß werden. Halte kleine Kinder fern. Dieses Gerät muss während des Gebrauchs von brennbaren Materialien ferngehalten werden. Verschiebe das Gerät während der Verwendung nicht. Schalte die Gaszufuhr nach Gebrauch an der Gasflasche aus. Ändere nichts am Gerät.	
 <p>Stand to side when relighting - never look directly into the oven or at the flame.</p>		 <p>Stehe beim Anzünden auf der Seite – schau niemals direkt in den Ofen oder auf die Flamme.</p>	
ES: Uso al aire libre exclusivamente. Lea las instrucciones antes de usar el aparato. ADVERTENCIA: las piezas accesibles pueden estar muy calientes. Mantenga alejados a los niños. Este aparato debe mantenerse alejado de cualquier material inflamable durante su uso. No mueva el aparato mientras esté en uso. Cierre el suministro de gas en la bombona después de su uso. No modifique el aparato.		FR: Usage en extérieur uniquement. Lis ces instructions avant d'utiliser l'appareil. AVERTISSEMENT : les parties accessibles peuvent être très chaudes. Les jeunes enfants doivent être tenus à l'écart. Cet appareil doit être tenu à l'écart de tout matériau inflammable pendant son utilisation. Ne déplace pas l'appareil durant l'utilisation. Coupe l'alimentation en gaz au niveau de la bombonne de gaz après utilisation. N'apporte aucune modification à l'appareil.	
 <p>Colóquese a un lado cuando vuelva a encenderlo, nunca mire directamente al horno o a la llama.</p>		 <p>Tiens-toi sur le côté lors du réallumage. Ne regarde jamais directement la flamme ou l'intérieur du four.</p>	
IT: Utilizzalo esclusivamente all'aria aperta. Prima di utilizzare il dispositivo, leggi le istruzioni. ATTENZIONE: le parti accessibili possono essere molto calde. Tieni i bambini a distanza di sicurezza. Durante l'uso il dispositivo deve essere tenuto a distanza da qualsiasi materiale infiammabile. Non spostare il dispositivo durante l'uso. Chiudi il gas sulla bombola dopo l'uso. Non alterare il dispositivo.		PT: Utilize apenas ao ar livre. Leia as instruções antes de utilizar o aparelho. AVISO: as partes acessíveis podem estar muito quentes. Manter afastado das crianças. Deve-se manter este aparelho afastado de materiais inflamáveis durante a sua utilização. Não mova o aparelho durante a sua utilização. Desligue o fornecimento de gás na botija de gás após a sua utilização. Não modifique o aparelho.	
 <p>Mettiti da un lato durante la riaccensione, e non guardare mai direttamente verso il forno o la fiamma.</p>		 <p>Afaste-se um pouco quando reacender - nunca olhe diretamente para o forno ou para a chama.</p>	

Injetores

Marcação do injetor: **0,81 mm**

Marcação: **0,81**

Quando o diâmetro do injetor for de 0,81 mm, utilize o regulador de 37 mbar fornecido com a botija de propano GPL.

ooni.com

© 2021 Ooni

Ooni is a registered trademark of Ooni Ltd.

All rights reserved.