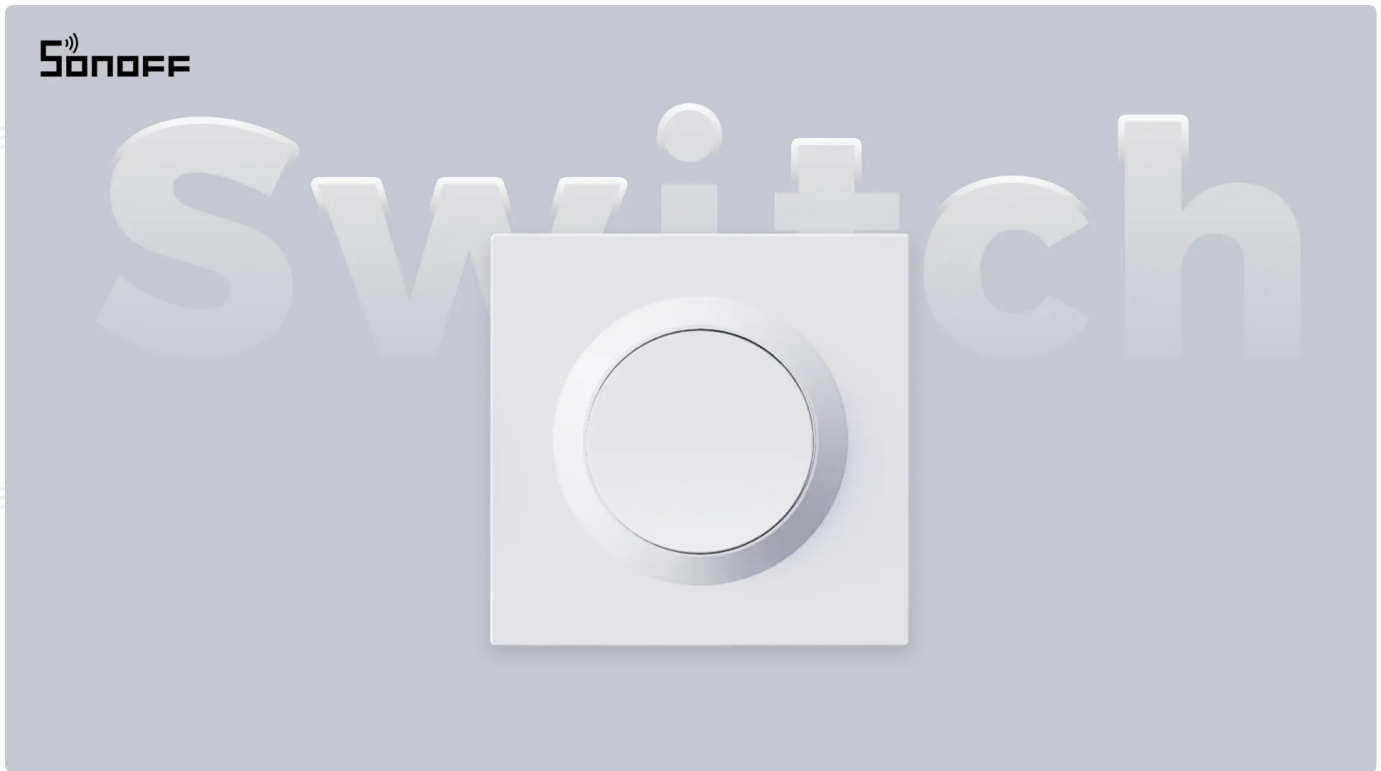


User Manual MINIR4M-E (EN)



Matter Over WiFi Smart Wall Switch

User Manual V1.0

Introduction

This is a smart wall switch that supports 2.4GHz Wi-Fi, uses live-neutral wiring, and is compatible with the Matter ecosystem, allowing seamless integration with smart devices from other brands to build your home automation.



Matter Compatibility



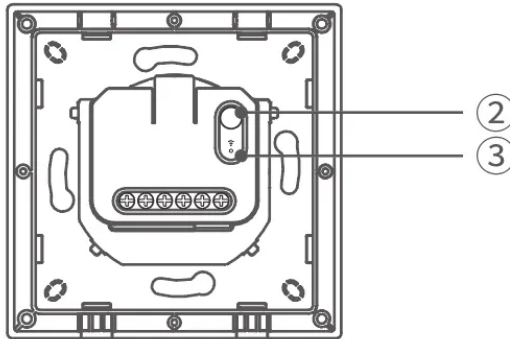
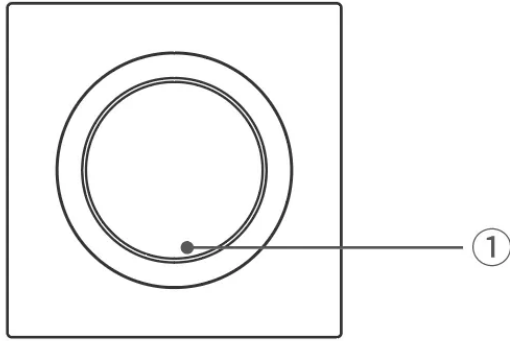
Detach Relay Mode



Smart Schedule



Smart Scene



① Switch Button

- Single press: Turn on/off the smart device

② Device Button

- Single press: Turn on/off the smart device
- Press and hold for 5 seconds: Device enters the pairing mode. (Pairing time 10 minutes)

③ LED indicator (Blue)

eWeLink Mode

- Flashes two short and one long: Device is in pairing mode.
- Keeps on: Device is online.
- Quick flash once: Device offline.
- Quick flash twice: Connected to the router, but not connected to the cloud.

Matter Mode

- Flashes two short and one long: Device is in pairing mode.
- Keeps on: Device is online.
- Quick flash once: Device offline.

Platform Certification



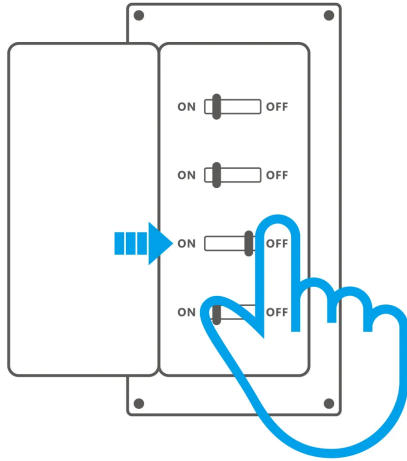
Specification

Product name	Orb-MW1
Product series	Fusion series

Product type	Matter over WiFi smart wall switch
Model	MINIR4M-E
MCU	ESP32-C3FN4
Rating	100-240V~ 50/60Hz 10A Max Resistive load μ
Wi-Fi	IEEE 802.11b/g/n 2.4GHz
Net weight	84g
Product dimension	86x86x34mm
Color	White
Casing material	PC
Diameter of wiring (recommend)	16AWG to 14AWG SOL/STR copper conductor only
Applicable place	Indoor
Working temperature	10T40 (-10°C~40°C)
Working humidity	5-95%RH, non-condensing
Certification	CE/RoHS

Installation

1. Power off



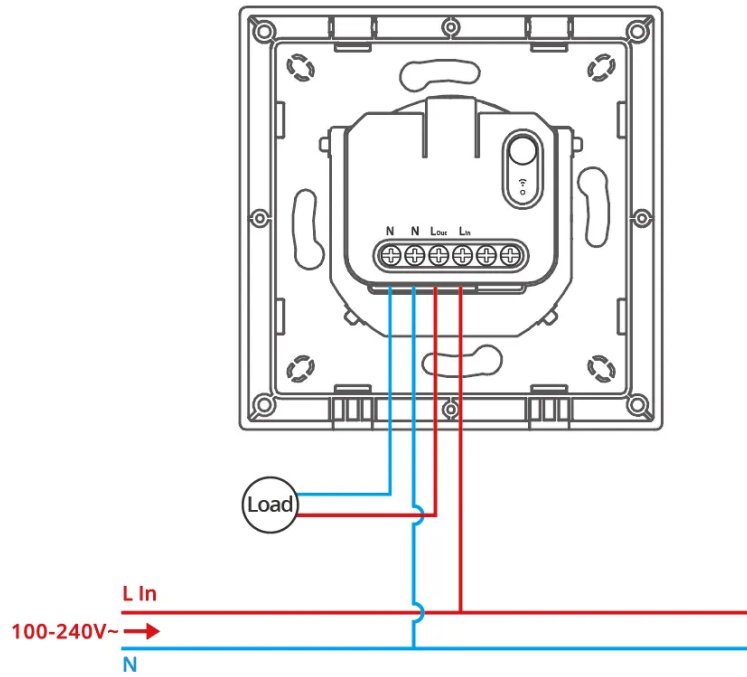
WARNING

Please install and maintain the device by a professional electrician. To avoid electric shock hazards, do not operate any connection or contact the terminal connector while the device is powered on!

2. Wiring instruction

⚠ To ensure the safety of your electrical installation, it's essential that either a Miniature Circuit Breaker (MCB) or a Residual Current operated Circuit-breaker with Integral Overcurrent protection (RCBO) with an electrical rating of 10A has been installed before the MINIR4M-E.

⚠ Make sure all wires are connected correctly.

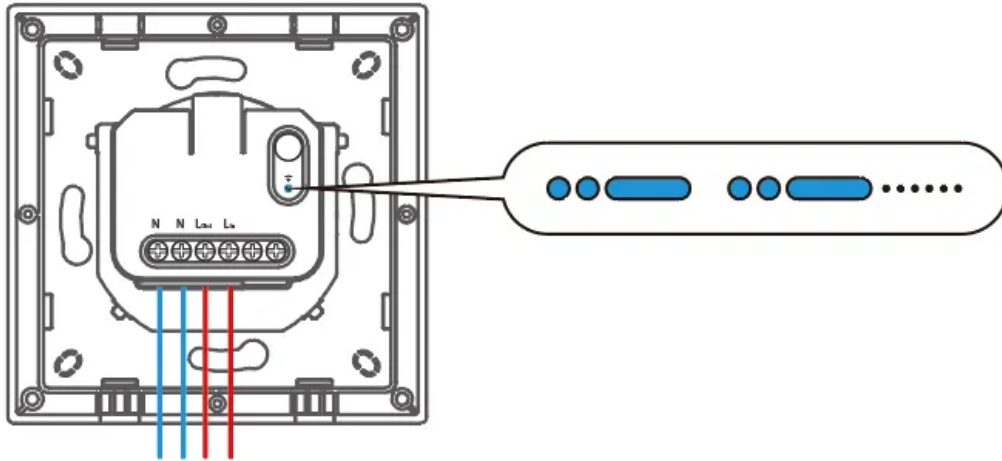


Instructions for wiring symbols

Terminals		Wires	
N	Neutral Line	N	Neutral Line
L In	Live Line	L In	Live Line (100–240V~)
L Out	Live Output Terminal (100–240V~)		

3. Power on

When the device is used for the first time, it will enter pairing mode by default after being powered on. At this time, the LED indicator will flash in a pattern of "two short and one long".



ⓘ The device will exit the Pairing Mode if not paired within 10mins. If you want to enter this mode, please long-press the button for about 5s until the LED indicator changes in a cycle of two short and one long flash and release.

Matter Ecosystem User Guide

Open a Matter-compatible App to scan the Matter QR code on the Quick Guide or the device itself to add the device.



Add to Apple via Matter



Add to Google via Matter



Add to Alexa via Matter



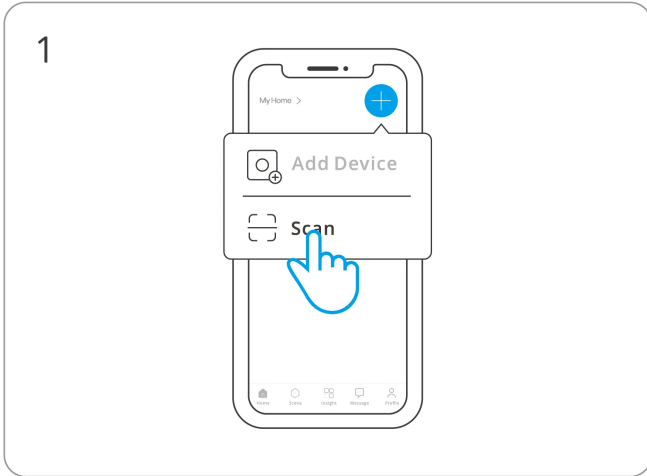
Add to SmartThings via Matter

eWeLink Ecosystem User Guide

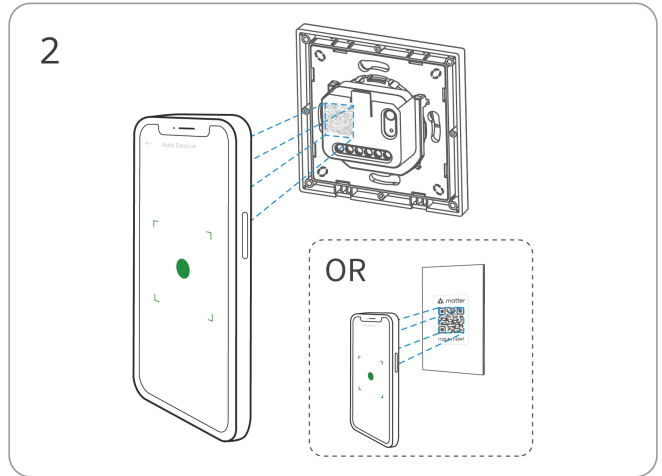
① Download the eWeLink App

Please download the "eWeLink" App from Google Play Store or Apple App Store.

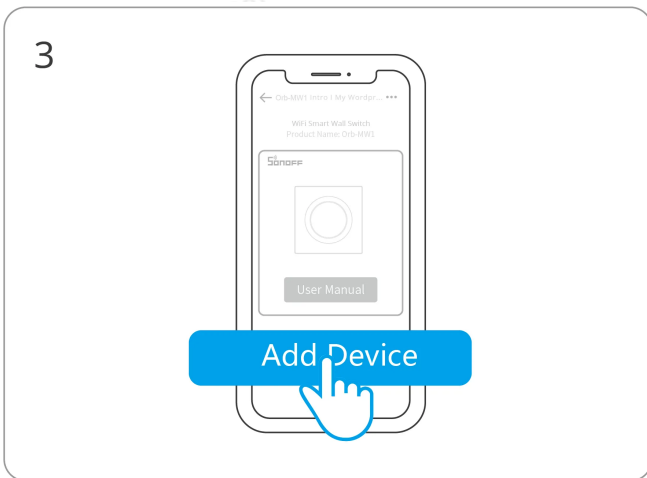
② Scan QR code to add the device



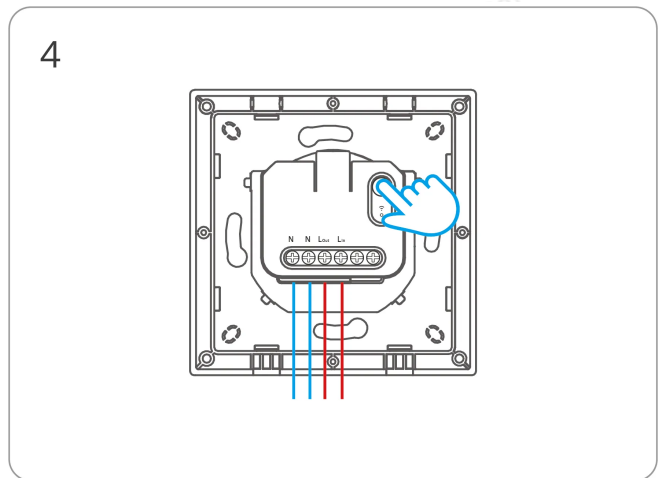
Enter "Scan"



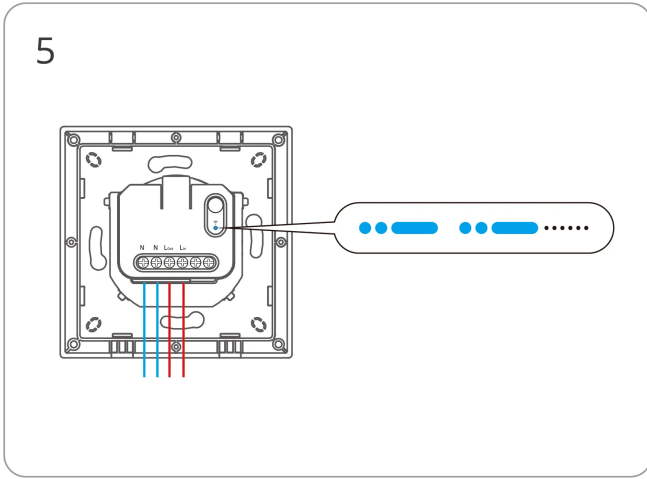
Scan the QR code on the quick guide or the device



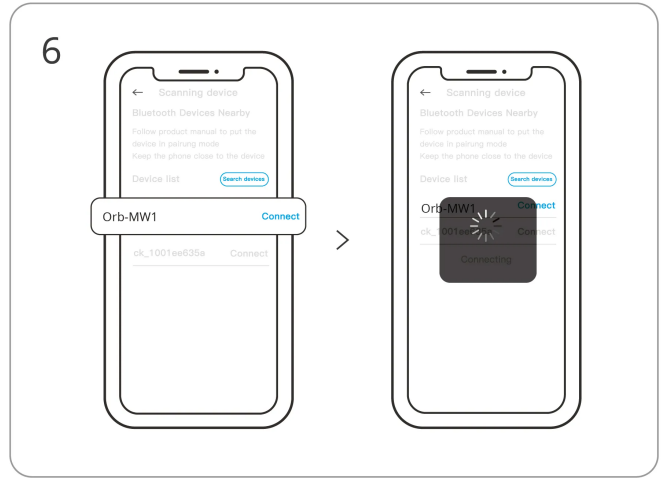
Select "Add Device"



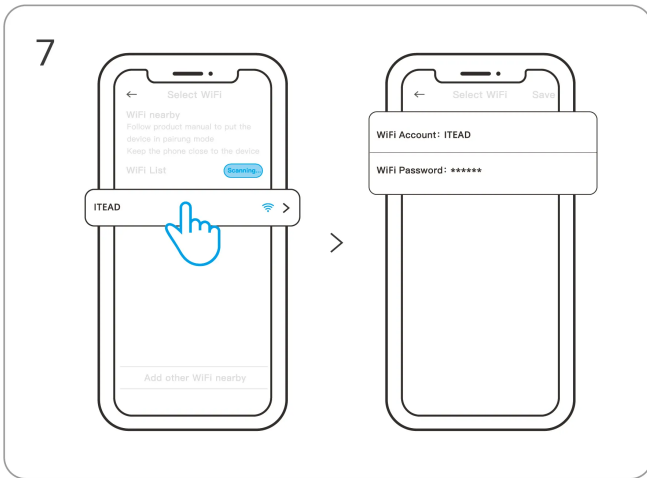
(If the device exits pairing mode)
Long press the button for 5 seconds



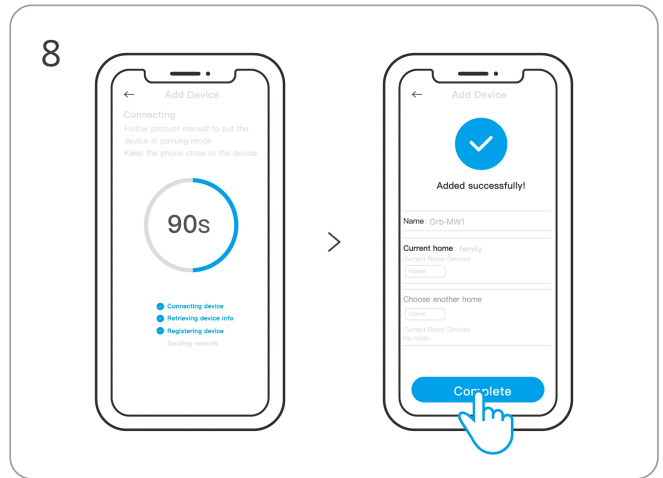
5 Check LED indicator flashing status
(Two short and one long)



6 Search for the device and start connecting

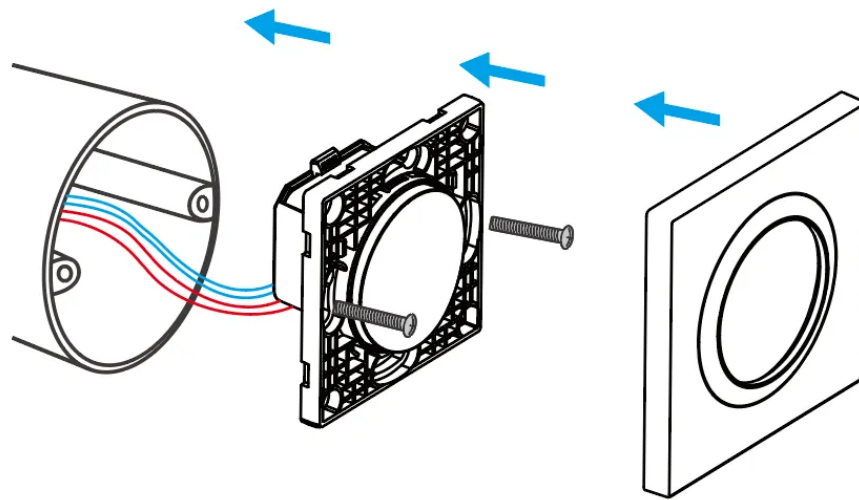


7 Select the "Wi-Fi" network and enter the password



8 Device "Added completely"

Installation



Factory Reset

Reset the device to factory settings by "Delete device" in the eWeLink App.

EU Declaration of Conformity

Hereby, Shenzhen Sonoff Technologies Co., Ltd. declares that the radio equipment type MINIR4M-E is in compliance with Directive 2014/53/EU. The full text of the EU declaration of conformity is available at the following internet address: <https://sonoff.tech/compliance/>

For CE Frequency

EU Operating Frequency Range:

Wi-Fi: 802.11 b/g/n20 2412–2472 MHz, 802.11 n40: 2422–2462 MHz

BLE: 2402–2480 MHz

EU Output Power:

Wi-Fi 2.4G \leq 20dBm

BLE \leq 20dBm

WEEE Disposal and Recycling Information



WEEE Disposal and Recycling Information All products bearing this symbol are waste electrical and electronic equipment (WEEE as in directive 2012/19/EU) which should not be mixed with unsorted household waste. Instead, you should protect human health and the environment by handing over your waste equipment to a designated collection point for the recycling of waste electrical and electronic equipment, appointed by the government or local authorities. Correct disposal and recycling will help prevent potential negative consequences to the environment and human health. Please contact the installer or local authorities for more information about the location as well as terms and conditions of such collection points.

Warning

Under normal use of condition, this equipment should be kept at a separation distance of at least 20 cm between the antenna and the body of the user.

Dans des conditions normales d' utilisation, cet équipement doit être maintenu à une distance d' au moins 20 cm entre l' antenne et le corps de l' utilisateur.

Scatola	Manuale	Borsa	Borsa
PAP 21	PAP 22	CPE 7	LDPE 4
Carta	Carta	Plastica	Plastica
RACCOLTA DIFFERENZIATA			
Verifica le disposizioni del tuo Comune.			
Separa le componenti e conferiscile in modo corretto.			



Manufacturer: Shenzhen Sonoff Technologies Co., Ltd.

Address: 3F & 6F, Bldg A, No. 663, Bulong Rd, Shenzhen, Guangdong, China

ZIP code: 518000

Service email: support@itead.cc

ITE



FR
Cet appareil et ses accessoires se recyclent

À DÉPOSER EN MAGASIN


OU

À DÉPOSER EN DÉCHÈTERIE


**Points de collecte sur www.quefairedemesdechets.fr
Privilégiez la réparation ou le don de votre appareil !**

ITE



Al Azul

ITE - 黎业军(2602432)