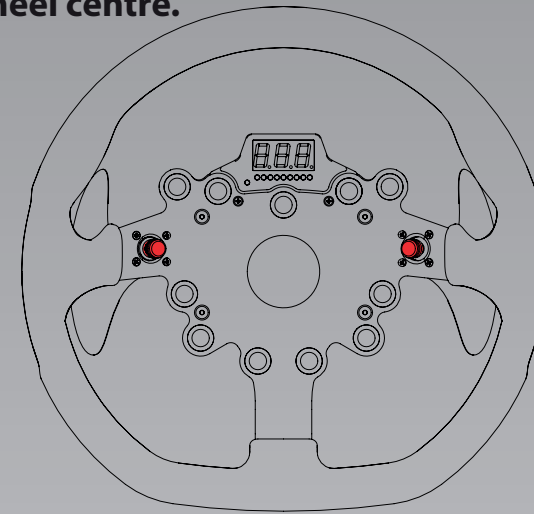


TUNING OPTIONS

In order to enter the Tuning Menu, press the Tuning button. To navigate inside the menu, use the right FunkySwitch™. Press it up or down to access 5 setup profiles. Press FunkySwitch™ right or left to go through the various tuning options and rotate the FunkySwitch™ to change option values.

CENTRE CALIBRATION

If a centre calibration is needed (e.g: after firmware update of ClubSport Wheel Base) when using the steering wheel you need to enter the Tuning Mutton by pressing the Tuning Menu Button. When the Tuning Menu is active, press the analogue stick and the FunkySwitch™ at the same time as illustrated below to calibrate the wheel centre.



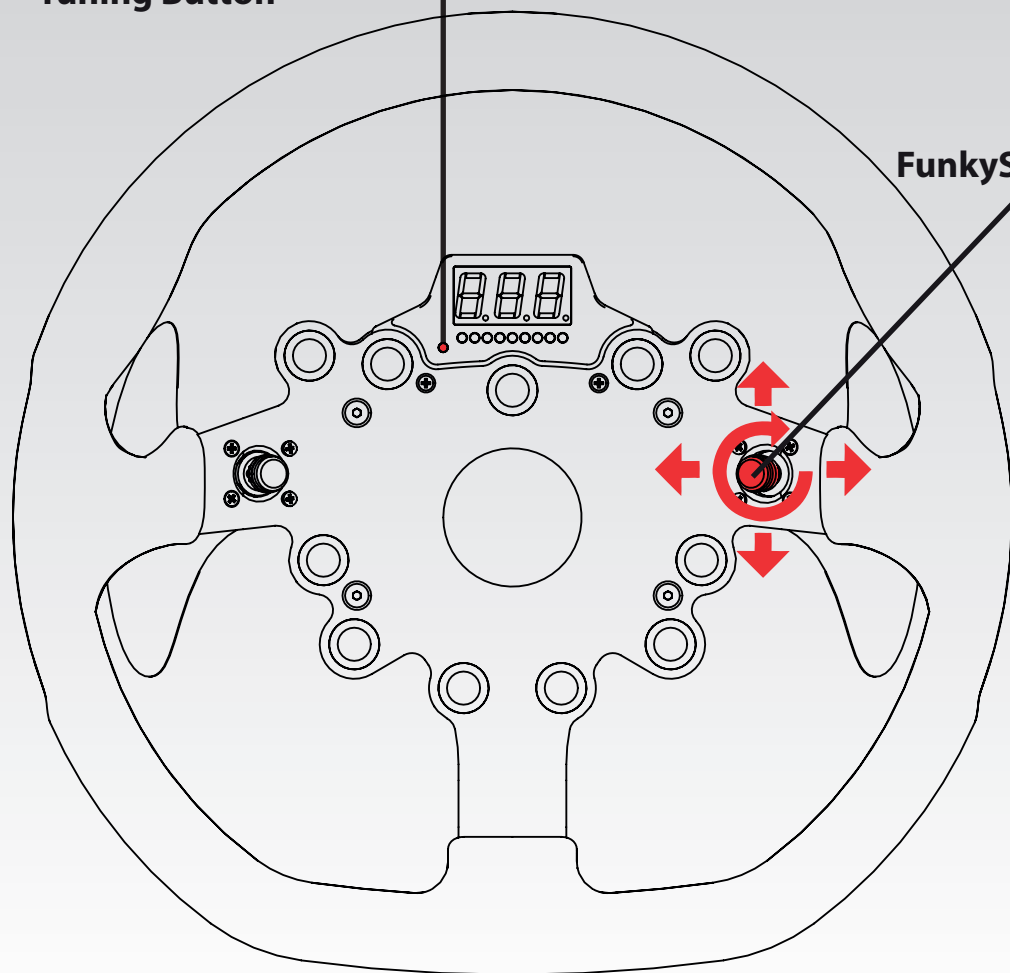
ClubSport

BMW M3 GT2



Tuning Button

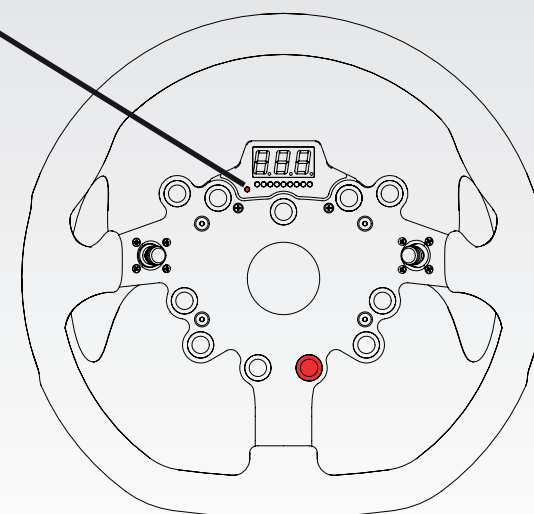
FunkySwitch



SHIFTER CALIBRATION

In order to enter shifter calibration mode, simultaneously press the Tuning Menu Button and the button highlighted below.

Tuning Button



QuickGuide

ENDOR®

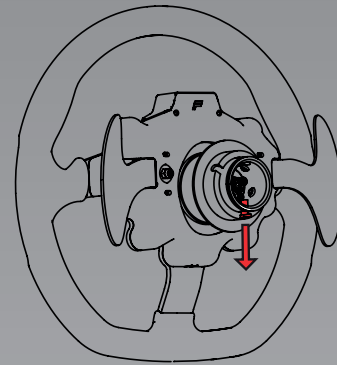
Fanatec® is a registered trademark of Endor AG
Designed and developed by Endor AG in Germany
E.ON-Allee 3 - 84036 Landshut - Germany
Telephone: +49 (871) 9221-122 Fax: +49 (871) 9221-221
Email: info.webshop@fanatec.com
Internet: www.fanatec.com - www.endor.ag



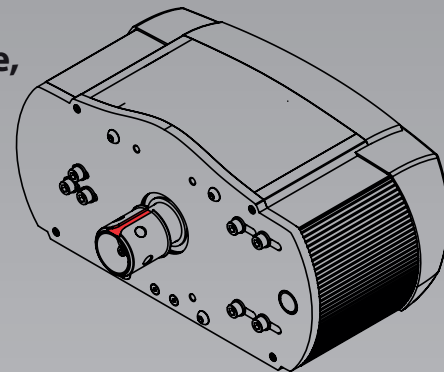
www.fanatec.com

ATTACHING THE STEERING WHEEL

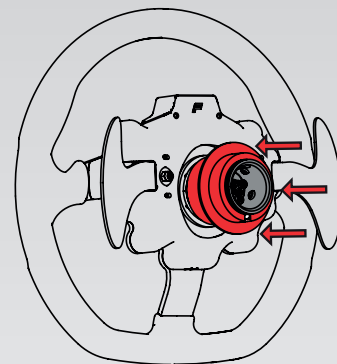
- Remove storage pin.



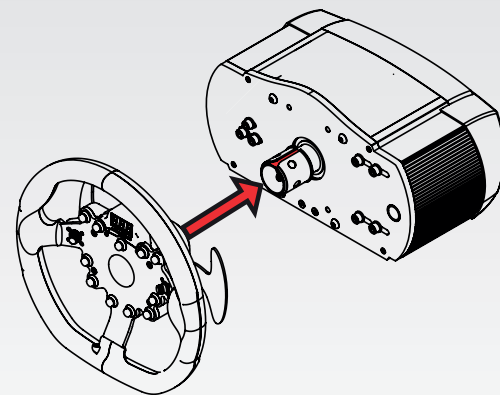
- Align ClubSport Wheel Base axle, to correct position.



- Compress and hold the Quick Release mechanism.



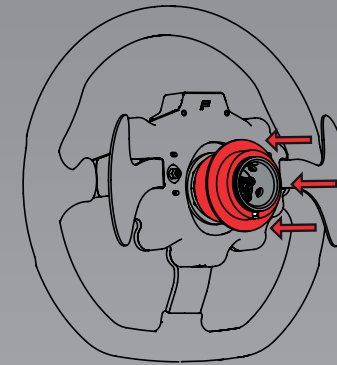
- Slide it on the ClubSport Wheel Base axle.



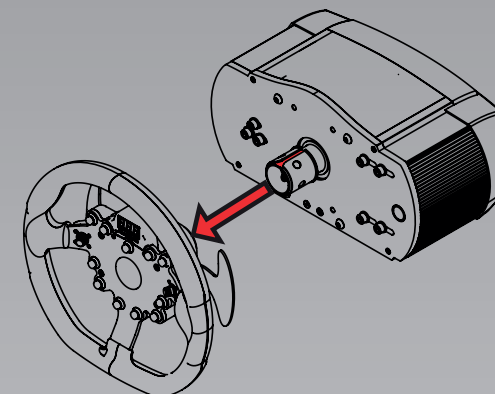
- Release the Quick Release mechanism.

DETACHING THE STEERING WHEEL

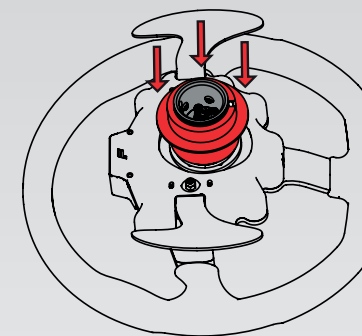
- Compress and hold the Quick Release mechanism.



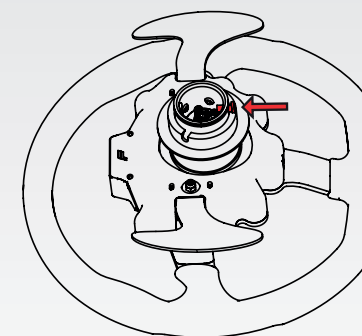
- Slide it off the ClubSport Wheel Base axle.



- Place the rim face down on table.



- Insert the storage pin.



- Release the Quick Release mechanism.

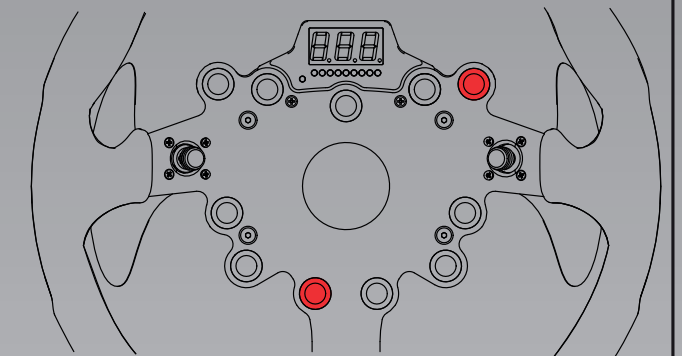
MODES

In order to switch between modes simultaneously press and hold the two buttons highlighted below, for one second.

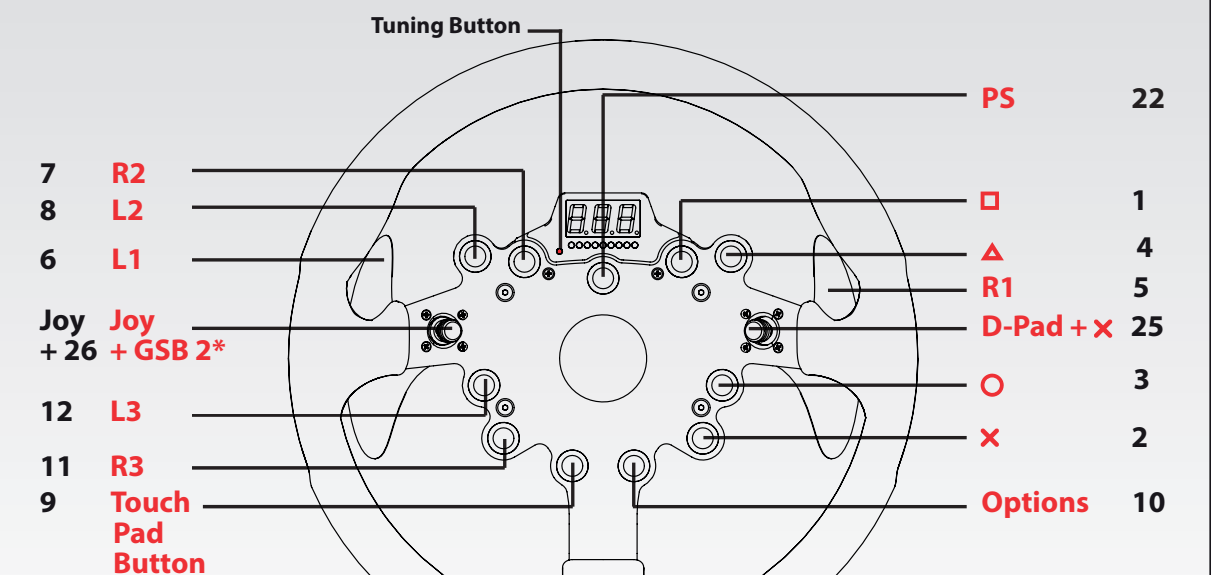
The wheel base LED indicates the active mode:

- Red indicates PC mode
- Blue indicates PS4™ mode*
- Purple indicates compatibility mode*

* Not applicable for every Fanatec wheel base. Please check the individual user manual of your Fanatec wheel base.



BUTTON MAPPING



* Game Specific Button