

Submittal

TAG: _____

PRODUCT NAME _____
LOCATION _____
ARCHITECT _____
ENGINEER _____
CONTRACTOR _____
SUBMITTED BY _____ DATA _____

UNIT SUMMARY

Quantity						
Unit Designation						
Model No.						
Cooling Input						
Cooling Output						
CFM/ESP						
Electrical						
Minimum Ampacity						
Max Overcurrent Protection						
Net Unit Weight						
Accessory						
Catalog Form Number						

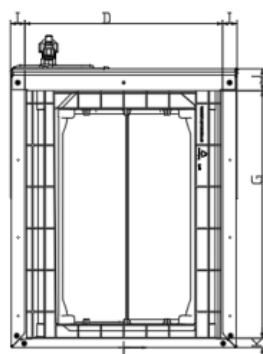
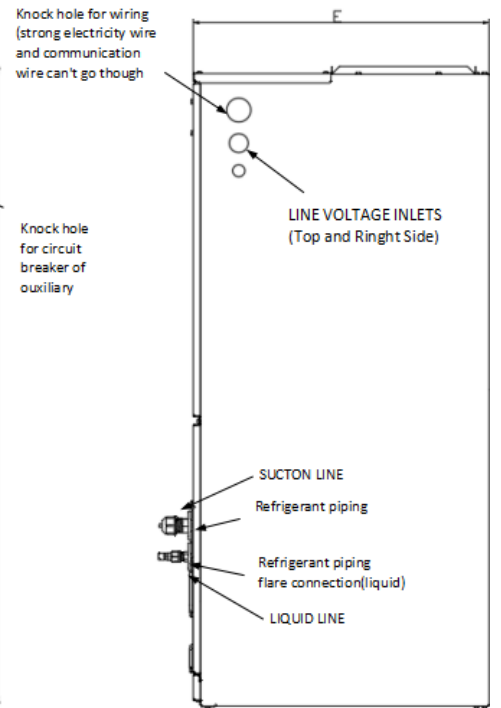
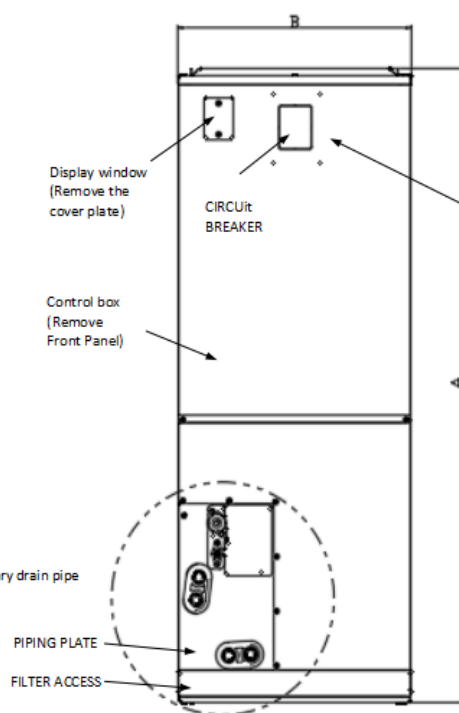
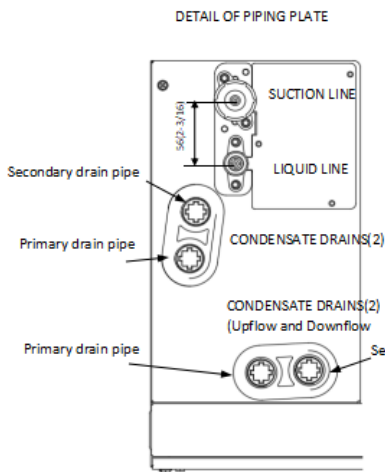
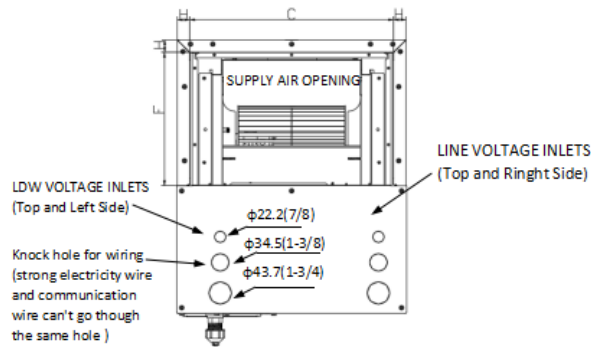
ACCESSORIES

NOTES

Air Handlers

AHE Series

Cooling capacity: 36 kBTU/h



Dimensions		Model	18K/24K/36K/48K/60K	
			inch	mm
A	Model Height		45-3/4	1162
B	Model width		17-41/64	448
C	Supply Air Opening width		15-5/8	397
D	Return Air Opening Width		15-25/64	391
E	Model Depth		21-7/64	536
F	Supply Air Opening Depth		10-9/32	261
G	Return Air Opening Depth		18-23/32	475.5
H	Supply Air Opening Clearance		15/16	24
I	Return Air Opening Side Clearance		1-1/8	28.5
J	Return Air Opening Front Clearance		1-21/32	42
K	Return Air Opening Back Clearance		45/64	18

Specifications

	AHE32-36
NOMINAL RATING	
Cooling (BTU/h)	36000
CFM (High/Low range)	860/610
External Static Pressure (in.w.c) [Pa]	0.8[200]
ELECTRICAL DATA	
Voltage / Phase(60Hz)	208V/230V-1ph-60Hz
Min. / Max. Voltage (V)	187/253
Min. Circuit Amps (MCA) (A)	2.3
Max. Overcurrent Protection (MOP) (A)	3
FAN MOTOR	
Motor Type	AC
Capacitor (uF)	6
Horsepower (HP)	1/6
Rated RPM	670
MOC	4.9
FAN BLOWER	
Material	Metal
Type	Centrifugal
Diameter(in.) [mm]	8[207]
Height(in.) [mm]	10 [270]
Coil Drain Connection FPT (in.)	3/4
EVAPORATOR COIL	
Type	Aluminum-Hydrophilic Aluminum
Tube Material	Copper
Tube Size (in.)	9/32
SOUND POWER (dB)	
	72
REFRIGERANT CONNECTION SIZE	
Liquid Line Size (O.D.) (in.)	3/8
Suction Line Size (O.D.) (in.)	1/2
DIMENSIONS	
Width (In.) [mm]	17-33/64 [445]
Height (In.) [mm]	45 [1143]
Depth (In.) [mm]	21-1/32 [534]
Packaged dimension (W × H × D) (In.) [mm]	20-55/64 × 48-5/8 × 26-37/64 [530 × 1235 × 675]
SERVICE VALVE	
Liquid (in.)	3/8
Suction (in.)	1/2
WEIGHT	
Net weight (lbs.) [kg]	121 [55]
Shipping weight (lbs.) [kg]	132 [60]

Electric Heater Kit Electrical Data (only Electric Heat)

Heater Kit Model Used	Air Handler Model	Electric Heat(kW)	Heater Kit FLA(A)	Min.Circuit Amps(A)	Max.Fuse or Breaker Amps(A)	Minimum Heating Blower Speed		
		208V/240V	208V/240V	208V/240V	208V/240V	H	M	L
EHK-05E	18K	3.8/5	18.2/20.8	23/26	25/30	•		
EHK-08E		5.6/7.5	27.9/31.9	35/40	35/40	•		
EHK-10E		7.5/10	36.3/41.7	46/53	50/60	•		
EHK-05E	24K	3.8/5	18.2/20.8	23/26	25/30	•		
EHK-08E		5.6/7.5	27.9/31.9	35/40	35/40	•		
EHK-10E		7.5/10	36.3/41.7	46/53	50/60	•		
EHK-15E		11.3/15	55.1/62.6	69/79	70/80	•		
EHK-05E	36K	3.8/5	18.2/20.8	23/26	25/30	•		
EHK-08E		5.6/7.5	27.9/31.9	35/40	35/40	•		
EHK-10E		7.5/10	36.3/41.7	46/53	50/60	•		
EHK-15E		11.3/15	55.1/62.6	69/79	70/80	•		
EHK-05E	48K	3.8/5	18.2/20.8	23/26	25/30	•		
EHK-08E		5.6/7.5	27.9/31.9	35/40	35/40	•		
EHK-10E		7.5/10	36.3/41.7	46/53	50/60	•		
EHK-15E		11.3/15	55.1/62.6	69/79	70/80	•		
EHK-05E	60K	3.8/5	18.2/20.8	23/26	25/30	•		
EHK-08E		5.6/7.5	27.9/31.9	35/40	35/40	•		
EHK-10E		7.5/10	36.3/41.7	46/53	50/60	•		
EHK-15E		11.3/15	55.1/62.6	69/79	70/80	•		

Features

- High heat-transfer efficiency and low static-pressure drop A-shaped coil.
- Foil-faced insulation to prevent energy loss through the cabinet.
- 4-position installation: Upflow, Horizontal Right, Downflow, Horizontal Left.
- Horizontal and vertical condensate drain pans standard, primary and secondary condensate fittings.
- Field-installed electric heater kits 5, 7.5, 10, 15kW available as accessories. Multiple electrical entry locations.
- Dual front panel, volute and coil with slide track for easy maintenance.
- Integrated filter rack with toolless door access.
- Advanced internal welding process to reduce potential corrosion.
- Polymer condensate drain pan with UVC inhibitor to extends product lifetime.
- Fully-insulated cabinet design.
- R32 refrigerant sensor is optional for safe operation.

ComfortStar®

Add.: 12201 N W 107th Avenue Miami, FL 33178

1.866.524.9898 Toll Free

305.500.9898 Office

305.500.9896 Fax document.

<http://www.comfortstarusa.com>