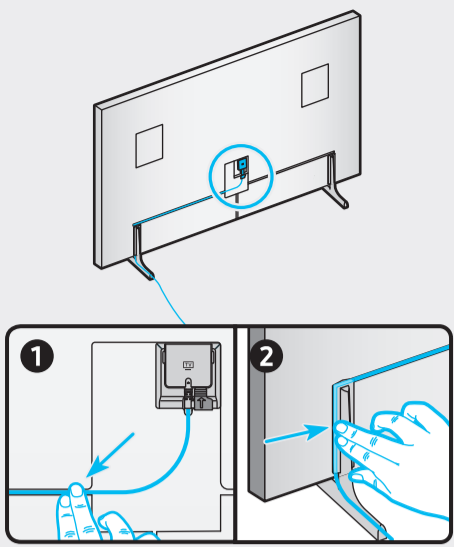
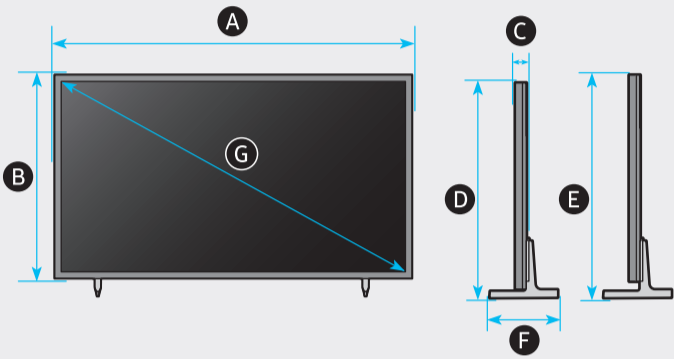
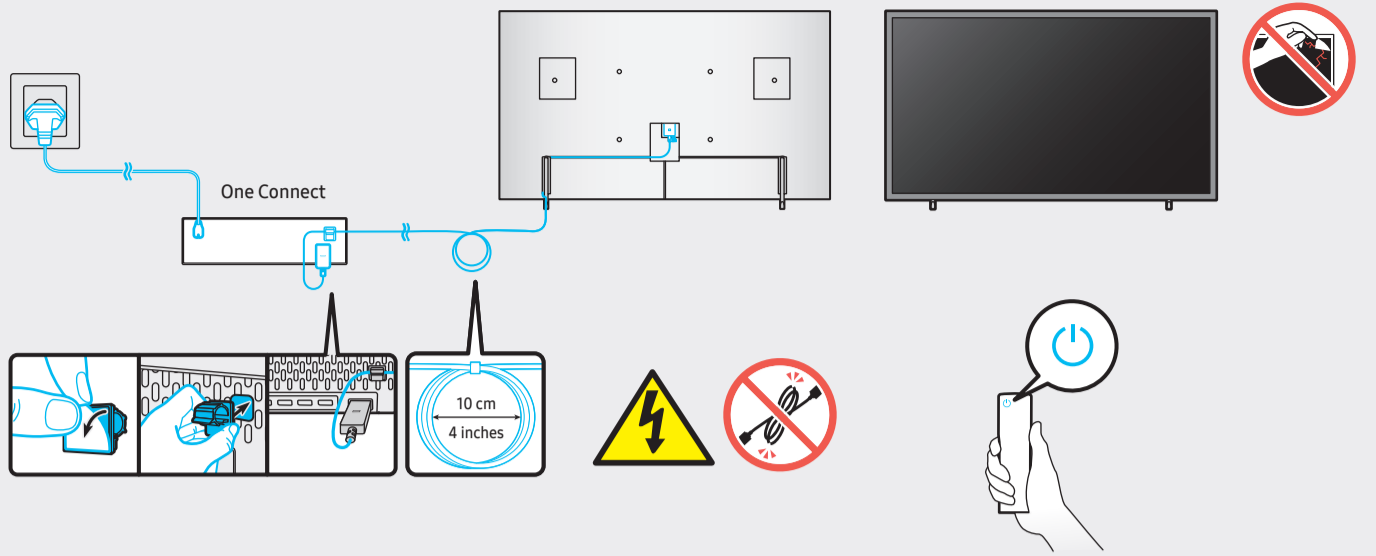


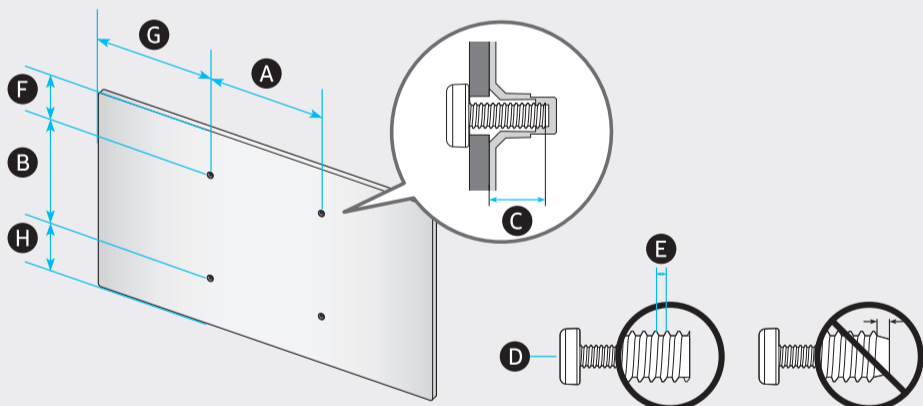
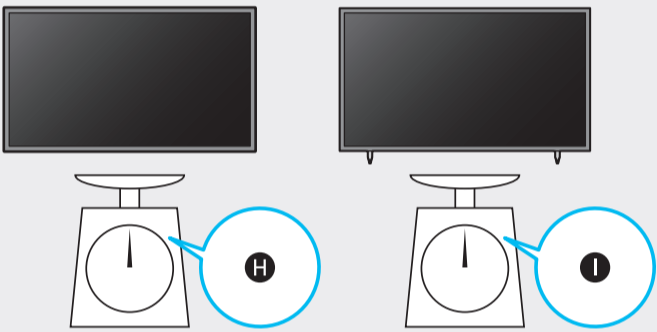
6



7



	A	B	C	D	E	F	G	H	I
QN75LS03A	66.2 inches (1682.3 mm)	37.8 inches (960.4 mm)	1.1 inches (26.9 mm)	39.3 inches (998.5 mm)	40.3 inches (1023.5 mm)	12.4 inches (315.8 mm)	74.5 inches	77.2 lbs (35.0 kg)	78.5 lbs (35.6 kg)
QN85LS03A	75.0 inches (1904.3 mm)	42.7 inches (1085.3 mm)	1.1 inches (26.9 mm)	44.2 inches (1122.4 mm)	45.2 inches (1147.4 mm)	13.7 inches (347.9 mm)	84.5 inches	97.4 lbs (44.2 kg)	99.4 lbs (45.1 kg)

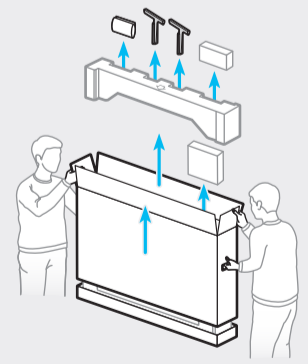


	VESA A x B (mm)	C (mm)	D x 4	E (mm)	F (inches)	G (inches)	H (inches)
QN75LS03A	400 x 400	10-12	M8	1.25	7.7	25.7	19.3
QN85LS03A	600 x 400				10.3	25.2	11.7

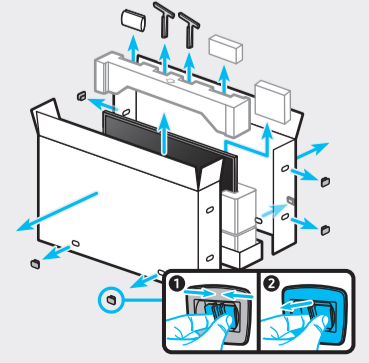
SAMSUNG

QUICK SETUP GUIDE

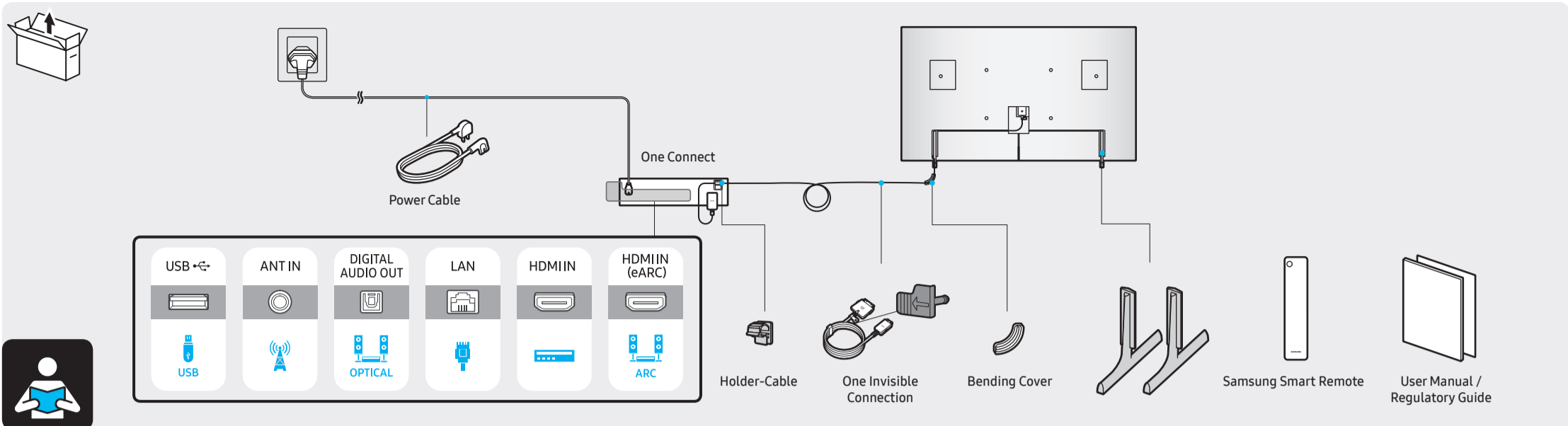
75"



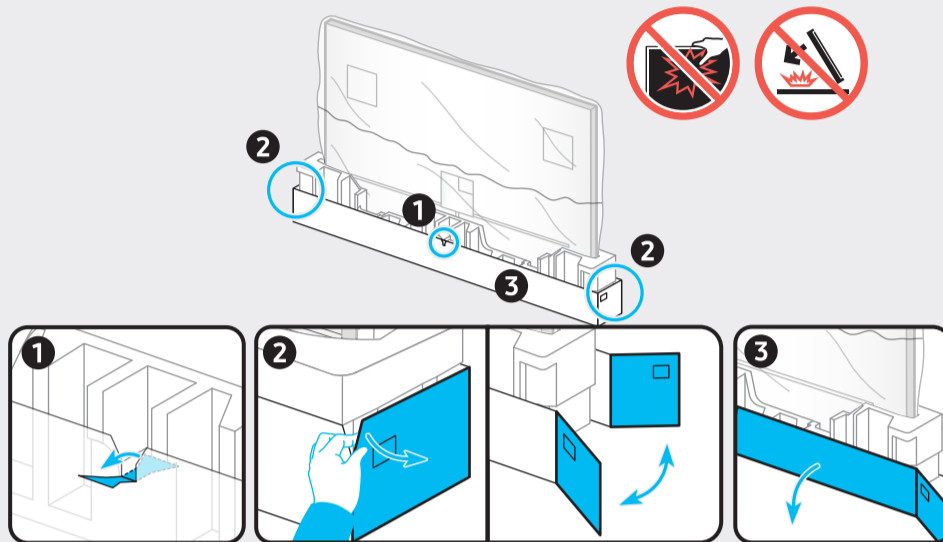
85"



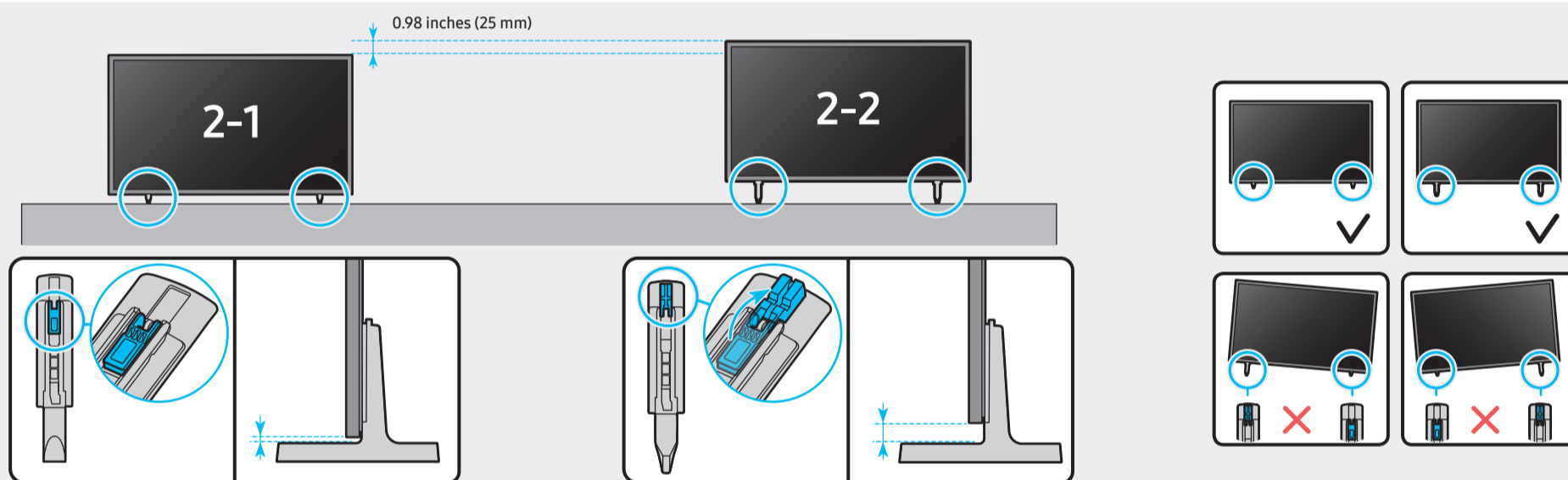
Scan this QR code with your smart phone to see helpful videos.



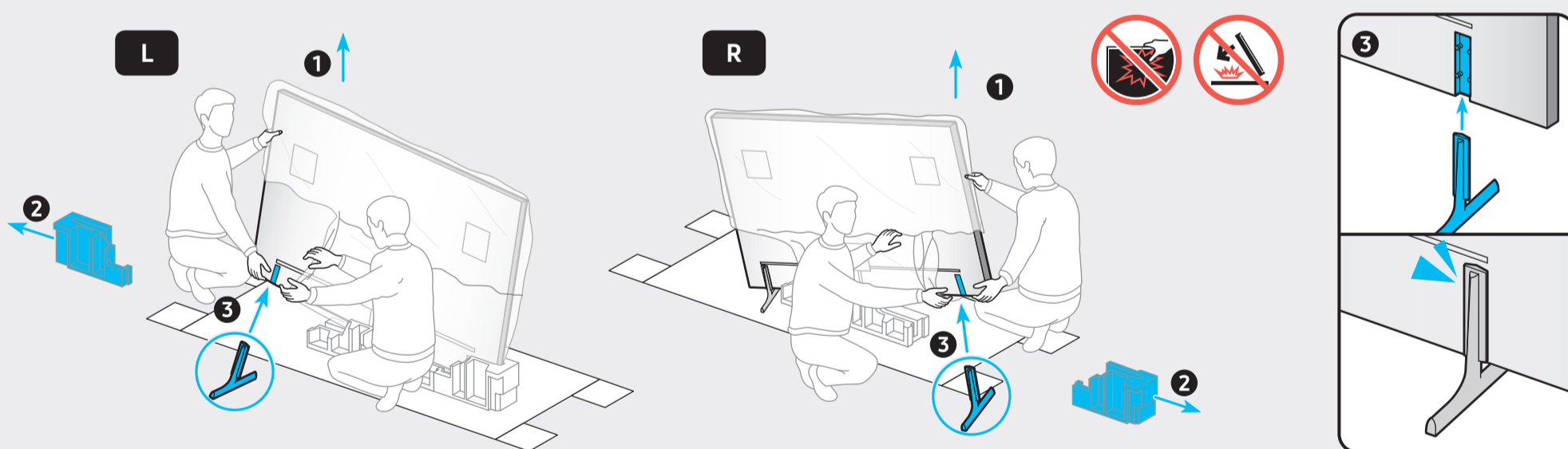
1



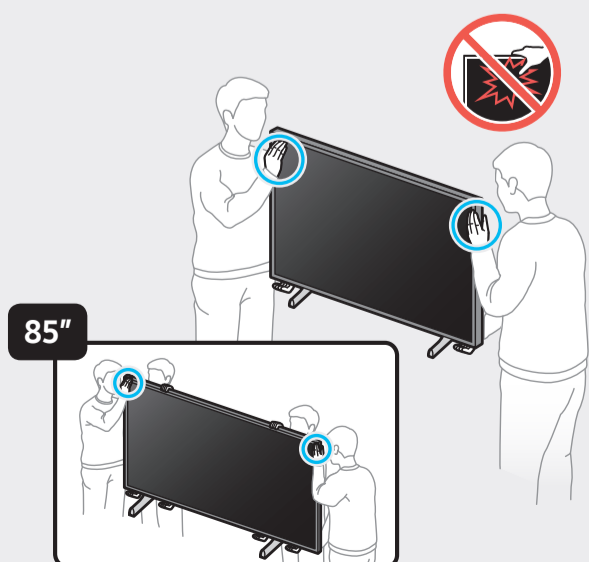
2



3



4



5

