

X-SENSE
LINK+ PRO SMOKE ALARM WITH VOICE AND LOCATION

Model: XS0B-MR



User Manual



This user manual contains important information about your smoke alarm's operation. To ensure proper use and trouble-free operation, please read this manual carefully and store it in a safe place for future reference.

Introduction

Thank you for your purchase. This smoke alarm uses photoelectric technology, which is effective at detecting large particles commonly produced during smoldering fires that may smolder for hours before igniting.

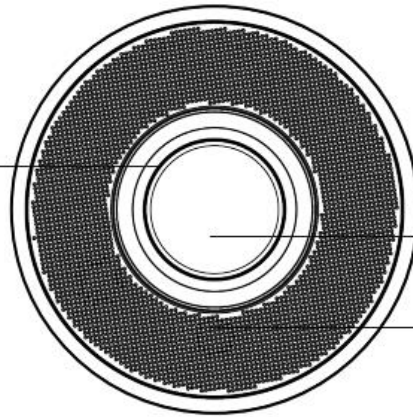
Multiple XS0B-MR smoke alarms can be connected to the X-Sense SBS50 base station using the X-Sense Home Security app. After connecting to the base station, these alarms will be interconnected, so when one alarm is triggered, all will sound an alarm.

This alarm supports Link+ Pro. Please note the following:

- 1. Only devices that are advertised as supporting Link+ Pro can be connected to the app via the base station.**
- 2. Link+ Pro supports both base station connection and a customizable wireless network as separate networks. You can only connect a device to one of them at a time. If you connect them to the base station, you'll receive app notifications but lose the customizable wireless network. Choosing the customizable wireless network means disconnecting from the base station and losing app notifications. Wireless interconnection is supported regardless of your choice.**
- 3. This device can be interconnected with other Link+ series devices to create a customizable wireless network.**
- 4. Switching between the base station and customizable wireless network is simple and can be done at any time by following the corresponding adding method.**
- 5. Please note that the interlinked test function is not supported by the base station.**

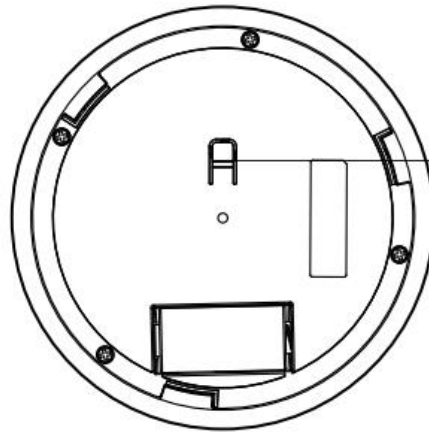
Product Overview

LED Indicator
(Red/Green/Yellow/Blue)



Test/Silence Button

Buzzer



Location Button

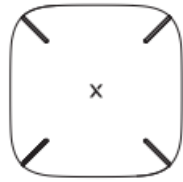
LED Indicator (Red/Green/Yellow/Blue)

Test/Silence Button

Buzzer

Location Button

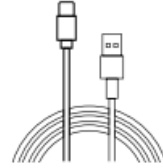
Package Contents



Base Station



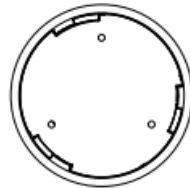
Power Adapter



Power Cable



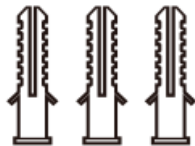
Alarm Unit



Mounting Bracket



Screws



Anchor Plugs



User Manual



Battery (pre-installed)

Alarm Unit
Mounting Bracket
3 Screws
3 Anchor Plugs
Battery (Pre-installed)
User Manual

Safety Information

DANGERS, WARNINGS, AND CAUTIONS ALERT YOU TO IMPORTANT INSTALLATION AND OPERATING INSTRUCTIONS, OR POTENTIAL HAZARDS. PLEASE PAY ATTENTION TO THE SITUATIONS.

IMPORTANT

- 1. THIS DEVICE IS NOT DESIGNED FOR HEARING-IMPAIRED PEOPLE. USE OF ALCOHOL OR DRUGS MAY IMPAIR ONE'S ABILITY TO HEAR THE SMOKE ALARM.**

2. FIRES IN CHIMNEYS, WALLS, ROOFS, OR BEHIND CLOSED DOORS MAY NOT BE DETECTED.
3. THIS DEVICE IS NOT INTENDED FOR DETECTING FLAMES, HEAT, CARBON MONOXIDE, OR OTHER HAZARDOUS GASES.

 **WARNING**

1. NEVER IGNORE AN ALARM. FAILURE TO RESPOND CAN RESULT IN SERIOUS INJURY OR EVEN DEATH.
2. THE SILENCE FEATURE IS ONLY FOR YOUR CONVENIENCE AND WILL NOT CORRECT A PROBLEM. ALWAYS CHECK YOUR HOME FOR ANY POTENTIAL HAZARDS EVERY TIME AN ALARM SOUNDS.
3. TEST THIS SMOKE ALARM ONCE A WEEK. IF THE ALARM FAILS TO TEST CORRECTLY, REPLACE IT IMMEDIATELY! IF THE ALARM IS NOT WORKING PROPERLY, IT WILL NOT ALERT YOU TO A PROBLEM.

Device Setup

Download the X-Sense Home Security App



To download the X-Sense Home Security App, scan the QR code or search for “X-Sense Home Security” in the Apple App Store or Google Play Store. Sign up with a valid email address. If you already have an account, make sure the app is updated to the latest version.

Note: Make sure your smartphone supports iOS 11 and higher, or Android 8.0 and higher.

Connect the Link+ Pro Smoke Alarm to the Base Station

The Link+ Pro Smoke Alarm can be connected to the base station through the wireless network. When the alarm is connected to the base station, you can receive push notifications wherever you are to stay informed of the device status, and to silence an alarm from your smartphone.

Note: Before adding devices to the system, make sure the base station has been successfully added to the app.

1. Tap "⊕", select "Smoke Alarms", and then select "Link+ Pro Smoke Alarms with Voice Alerts (working with SBS50 Base Station)" in the product list. Then, choose the installation location that matches the actual placement of the device.

After that, tap "Next" to enter the next page.

Choose the precise installation location for the alarm within the app. When an alarm is triggered, it will broadcast this designated location. That is to say, when danger occurs, the alarm will say "Warning. Smoke detected in Location. Evacuate."

When connected to the base station, all devices will interconnect wirelessly. If one is triggered, all interconnected devices will also activate. In the case of an XS0B-MR activation, all other devices in the network will relay the exact location, providing immediate knowledge of the fire's location. For instance, if you've named Device A "Basement," Device B "Kitchen," and Device C "Office," once Device A detects smoke, all three devices will announce "Warning. Smoke detected in Basement. Evacuate."

2. Follow the prompts on the page by pressing the test/silence button twice on the smoke alarm. The device will say "Ready to connect," and the LED will flash blue rapidly, indicating that the device is waiting to connect.

3. Tap "Next" to add the device. You will hear "Ready to add the device."

4. After successfully connected, the device will say "Connected" and the "Device added" page will appear. Then you can find the smoke alarm in the device list.

5. If you want to add multiple devices into the system, please repeat the above steps.

NOTE: If you fail to add the smoke alarm to the network within 60 seconds, the device will say "Connection failed. Please try it again." And then it will automatically exit the network configuration. To re-enter the network configuration, you need to repeat the above steps.

App Features

Notifications: You will receive push notifications on the app for smoke

alarms, danger cleared, low battery, device malfunction, end of life, etc.

Night Mode: You can activate the night mode and set a specific time period which the LED light will not illuminate periodically to avoid disturbing your sleep.

Device Test: Simply tap the Device Test button in the app to test whether the device is functioning properly.

Device Sharing: You can share the device with your family members and friends. They will receive app push notifications for alarms and have the ability to silence the device, view historical events, etc.

1. Interconnect the Alarms Without Adding to the Base Station

If you don't want to add the smoke alarms to the base station, you can connect the smoke alarms using RF technology to create an interconnected alarm system. However, you will no longer be able to receive push notifications on your phone from the X-Sense Home Security app.

2. Note: The XS0B-MR smoke alarms can be connected to the X-Sense Link+ Pro and Link+ alarms using wireless interconnection without being connected to the base station.

Powering On Before Setting the Location

For first-time use, simply remove the battery insulation film from the battery compartment to turn on the device. After the device is powered on, the device will say "Hello from X-Sense." Then, the device will say "Location not set. Press the Location button to select a location."

If the device's battery has been replaced, and the location has been set, then the device will say "Press the Test/Silence button to test."

During this voice report process, if you press the Test/Silence button, there will be no response.

Setting the Location

Please follow the steps below to set the device location so that it is accurate to the actual installation location.

1. After the device is powered on and the voice is finished, press the Location button. If the location has not been set, the device will say "*Location not set. Press the Location button again to select a location.*" If the location has been set, the

device will say "**Location set. Press the Location button again to change the set location.**"

2. After step 1, press the Location button again. The device will say "Press the Location button for the next location. Quickly press the Location button twice for the last location. Hold down the Location button to save the location."

3. After step 2, press the Location button again. The device will say "Entryway."

4. After entering the location list, *press the location button for the next location.* Quickly press the Location button twice for the last location. Hold down the Location button to save the location.

5. The location list will be repeated. When the device says "No location," press the location button again, and "Entryway" will be reported again.

6. When the location is saved, the device will say "**Location saved.**"

7. There is a 1-minute timeout limit when the product is in setting mode. If there is no operation within 1 minute, it will automatically exit and return to standby mode, and will say "*Unable to set the location. Please try it again.*"

Location List

| | |
|----|----------------|
| 1 | Entryway |
| 2 | Basement |
| 3 | Living room |
| 4 | Dining room |
| 5 | Kitchen |
| 6 | Hallway |
| 7 | Master bedroom |
| 8 | Kids room |
| 9 | Guest room |
| 10 | Den |
| 11 | Family room |
| 12 | Study |
| 13 | Office |
| 14 | Workshop |

| | |
|----|--------------|
| 15 | Utility room |
| 16 | Attic |
| 17 | No location |

How to Set Up and Interconnect Wireless Alarms

All X-Sense wireless interlinked alarms contain a built-in RF module that enables you to wirelessly connect 2 or more interlinked alarms and create an interlinked network. When one unit is triggered, all interconnected alarms will sound. The X-Sense wireless interconnected alarms contain wireless interlinked smoke alarms, wireless interlinked carbon monoxide alarms, and wireless interlinked smoke and carbon monoxide alarms. This model is designed to be wirelessly interlinked with other X-Sense alarms, but is not designed to communicate with wireless interlinked alarms from other manufacturers.

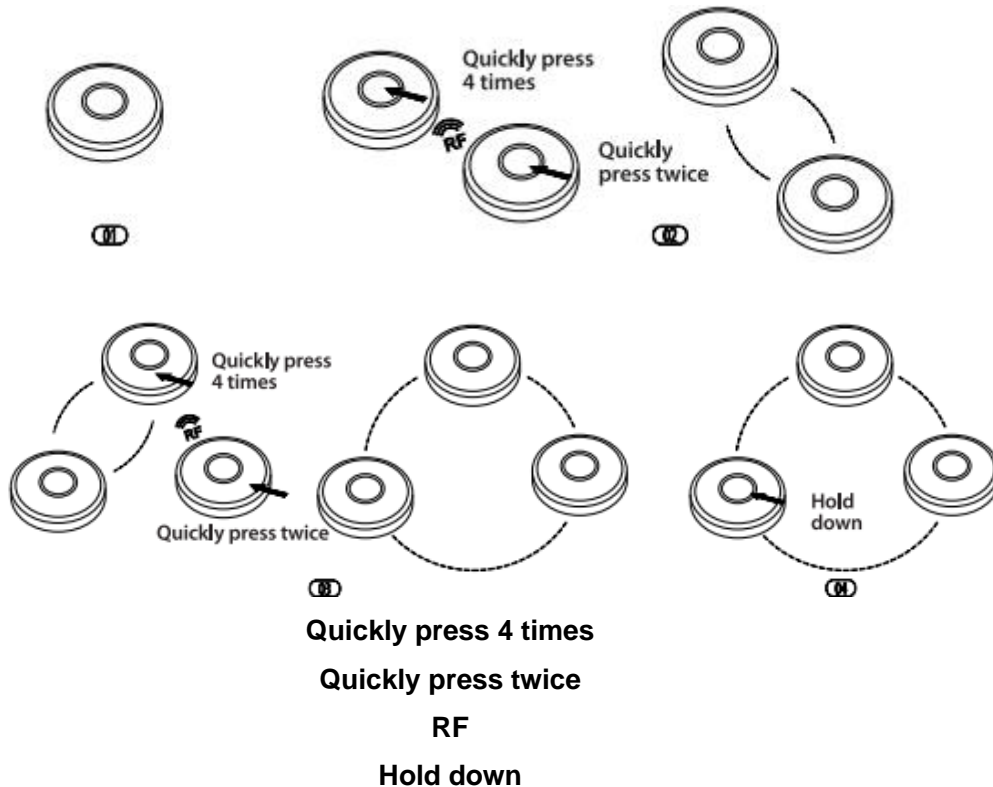
The X-Sense wireless interlinked alarms in one multi-pack have already been interconnected, and the alarms in each multi-pack have their own independent interlinked network. If you have more than one multi-pack, you will need to connect them all to the same network. Choose one multi-pack as your base network and connect the other multi-packs to it.

NOTE: The following instructions regarding wireless interconnection are applicable to the X-Sense Link+ Pro and Link+ wireless interlinked alarms only.

How to Interconnect

1. Make sure you only work with 2 units at a time, and make sure that they are both turned on to ensure successful connection.
2. Quickly press the test/silence button on one of the 2 units 4 times. The device will say "Searching for a new device"; it will beep once and the LED will flash blue slowly, indicating it has entered pairing mode. Quickly press the test/silence button on the other unit twice. The device will say, "Ready to connect", the device will beep once and the LED will flash blue rapidly, indicating it is searching for a device to connect to.
3. After the search is successful, and an interconnected group is created, both units will say "Connected," then beep once and automatically exit the pairing mode.
4. If you want to connect a third alarm to this group, quickly press the test/silence button on either of the 2 previously interconnected units 4 times. Then quickly press the test/silence button twice on the third device.

5. To add more units, repeat step 4. Please note that simply press the test/silence button 4 times on any device in the network and twice on the device you want to add. However, for the XH02-M, you should press its pairing button located on the back, not the test/silence button on the front.
6. Test the alarms according to the steps in the section “Alarm Test.”



NOTES

1. The alarm will enter the searching mode or the pairing mode for 60 seconds with the LED flashing blue. After 60 seconds, repeat step 2 to connect the alarms. If necessary, press the Test/Silence button once while the alarm is in either the searching or pairing mode. This action will stop the LED from flashing blue and the device will say “Connection failed. Please try it again.” Afterward, the alarm will exit the pairing mode and return to normal operation.”
2. Test all wireless alarms to ensure they are interconnected before installation.
3. A maximum of 24 wireless alarms can be interconnected on the same network.
4. The model can only be interconnected with the same model and other X-Sense Link+ Pro and Link+ wireless interlinked alarms.

How to Disconnect

Quickly press the Test/Silence button 4 times, the alarm will say “Searching for a new device”, it will beep once and the LED will flash blue slowly. Then, hold down

the button until it says “Disconnected, standalone device now” and beeps once more to disconnect. After disconnecting, it can be reconnected to the same network, or added to a new network.

NOTE: The X-Sense Link+ Pro wireless interlinked alarms in one multi-pack have already been interconnected. To create a new network, you will first need to disconnect each alarm individually in this multi-pack to avoid having them all join the same network.

Alarm Test

Be sure to test your alarms when you turn them on for the first time, or when the group configuration has changed. In addition to the weekly tests you should perform, it is recommended to test the alarm after returning from a long trip or vacation.

If your X-Sense XS0B-MR smoke alarm is interconnected to other X-Sense wireless alarms, we recommend that every individual alarm is tested during the weekly test.

| | Test a Single Alarm | Test All Interconnected Alarms |
|-------------------|--|---|
| Action | <ul style="list-style-type: none"> ● Press the test/silence button. ● Tap the Device Test button in its Device Settings page in the app. | <p>Hold down the test/silence button.</p> |
| Indication | <ul style="list-style-type: none"> ● The alarm will beep 3 times every 4 seconds. ● The LED will flash red during the audible signal and the device will announce a voice. ● For devices connected to the base station, a push notification will be sent to your smartphone. ● Then the alarm will automatically enter standby mode. | <ul style="list-style-type: none"> ● The initiating unit will announce a voice “This is a test for all units. Please confirm if other units receive this test signal from <u>Location</u>. To cancel, release the Test/Silence button.”, paired with the LED flashing red. ● Other interconnected alarms in the network will receive the test signal after 5 seconds. They will announce a voice “Test signal received from <u>Location</u>, not a real alarm.”, and beep continuously with the LED |

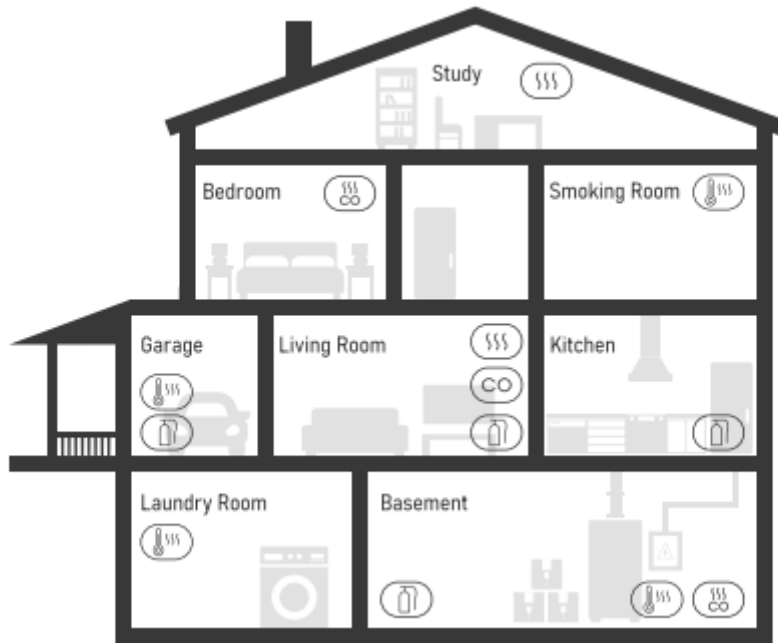
| | | |
|--|--|---|
| | | <p>flashing red and green successively.</p> <p>If the initiating alarm is the model that does not support interconnected voice test, other interconnected alarms with voice function will say “Test signal received, not a real alarm.”</p> <ul style="list-style-type: none"> ● The testing of the units should be completed within 2 minutes. ● After testing, the units will automatically enter standby mode. |
|--|--|---|

NOTE:

- 1. The devices connected to the base station can only be tested individually. The interconnected devices that are not connected to the base station can be tested by holding down the test/silence button on one of the devices.**
 - 2. The test function accurately tests the alarm’s smoke sensing circuit without the need to test with smoke. If your smoke alarm fails to give an audible test signal, please refer immediately to the troubleshooting guide at the end of this manual.**
- Never use an open flame to test this device.**

Installation Positioning

NOTE: Before installation, it is recommended to test the interconnected alarms in the rooms where you intend to install them to ensure that they are within transmission range and that nothing will interfere with their communication.



1. Study
2. Bedroom
3. Smoking Room
4. Garage
5. Living Room
6. Kitchen
7. Laundry Room
8. Basement
9. Smoke Alarms
10. Carbon Monoxide Alarms
11. Heat Alarms
12. Smoke & Carbon Monoxide Alarms
13. Fire Extinguishers

NOTE: If a smoke alarm is installed in a kitchen, ensure it has an accessible silence button, and install it as far away from the stove and sink as possible to avoid false alarms.

Installation Locations

1. **Prioritize the installation of an alarm in the bedroom and walkways, and make sure you can hear the alarm from all sleeping areas. In a home with several bedrooms, install an alarm in every bedroom. If you install only one smoke alarm in**

your home, install the alarm near to all bedrooms where possible, and not in a basement or furnace room.

2. Install an alarm above the stairway and on every floor of the house.

3. Smoke, heat and anything burning will spread horizontally after rising to the ceiling, so install the alarm in the middle of the ceiling where possible. Ensure the alarm is within working distance of all corners of the room.

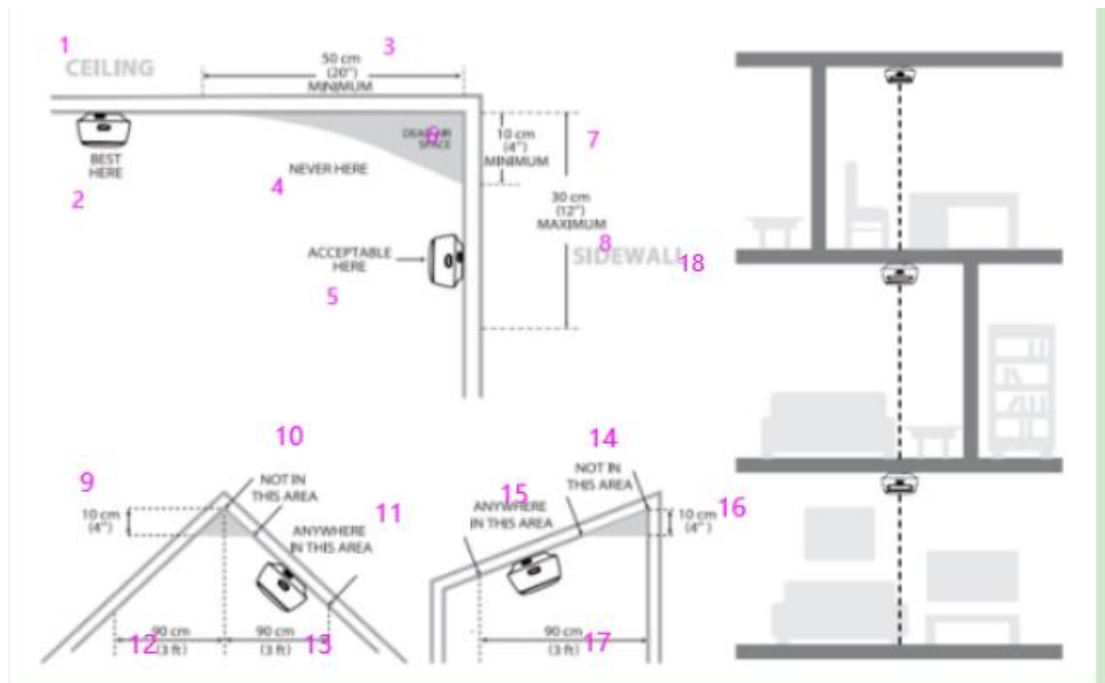
4. If an alarm cannot be installed in the middle of a ceiling, install at a distance of 20 inches (50 cm) away from the corners of the room.

5. If an alarm is installed on a wall, it should be at a distance of 4-12 inches (10-30 cm) below the ceiling.

6. If the length of a room or hall is beyond 30 feet (900 cm), you will need to install several alarms in the same room.

7. When the wall or ceiling is angled, the alarm needs to be installed within 3 feet (90 cm) of the highest wall or ceiling point (measured horizontally) in the room.

8. In multi-level houses or apartments, install at least one wireless alarm on each level and keep them installed in a straight vertical line (see diagram) with as few obstacles between each of the interconnected alarms as possible to ensure optimal signal transmission.



1. CEILING

2. BEST HERE

3. 50 CM (20") MINIMUM

4. NEVER HERE
5. ACCEPTABLE HERE
6. DEAD AIR SPACE
7. 10 CM (4") MINIMUM
8. 30 CM (12") MAXIMUM
9. 10 CM (4")
10. NOT IN THIS AREA
11. ANYWHERE IN THIS AREA
12. 90 CM (3 FT)
13. 90 CM (3 FT)
14. NOT IN THIS AREA
15. ANYWHERE IN THIS AREA
16. 10 CM (4")
17. 90 CM (3 FT)
18. SIDEWALL

Locations to Avoid:

1. Near large metal surfaces and/or bundles of wire.
2. Near fluorescent lights, amateur radios, electrical equipment, or other devices that may transmit an RF signal, as electronic noise may cause nuisance alarms.

WARNING!

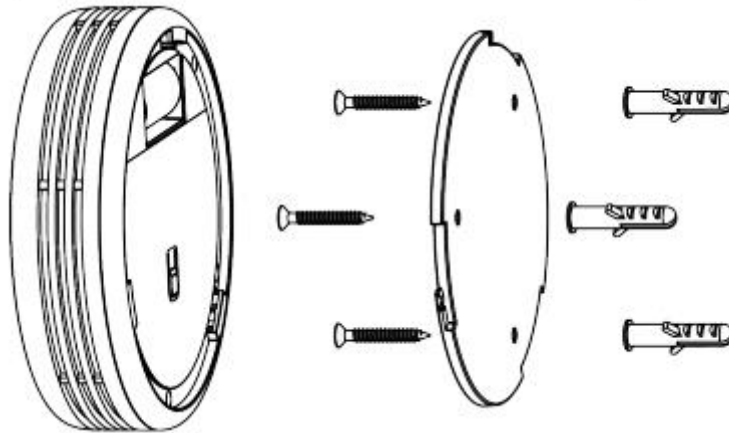
1. THIS ALARM SHOULD BE INSTALLED BY A COMPETENT PERSON.
2. ALARMS SHOULD NOT BE USED AS A SUBSTITUTE FOR PROPER INSTALLATION, USE AND MAINTENANCE OF FUEL BURNING APPLIANCES INCLUDING APPROPRIATE VENTILATION AND EXHAUST SYSTEMS.
3. TO PREVENT INJURY, THIS DEVICE SHOULD BE SECURELY ATTACHED TO THE CEILING OR WALL IN ACCORDANCE WITH THE INSTALLATION INSTRUCTIONS.
4. BATTERIES SHOULD NOT BE EXPOSED TO EXCESSIVE HEAT SUCH AS DIRECT SUNLIGHT, FIRE, ETC.

Mounting Steps

1. Drill three Ø 6.0 mm holes in the wall or ceiling, then insert three plastic anchor plugs into the holes with a hammer.

2. Attach the mounting bracket to the surface of the wall or ceiling with three screws and mount the alarm into the bracket by pushing them together and twisting the unit clockwise.

3. Test the unit by using the Test/Silence button. Ensure the unit sounds in an alarm pattern.



Alarm Mode

For devices connected to the base station:

- When an alarm is triggered, an in-app message will appear and an alarm push notification will be sent to your smartphone.
- When one alarm is triggered, all devices connected to the system and the base station will sound an alarm simultaneously.
- The base station will automatically mute after 10 minutes of continuous alarm.

After the base station stops the alarm, all devices in the interconnected system will still alarm.

- In the case that the base station powers off and is disconnected from the network, all devices are still interconnected, so when one alarm is triggered, all will go off.
- The volume level of the base station is adjustable. The alarms and base station can be remotely muted through the app. An app push notification will be sent to your phone when the smoke drops below the alarm threshold.

1. If the Initiating Unit Is Triggered by Smoke:

When one XS0B-MR smoke alarm is triggered in the interconnected network, the unit will beep 3 times every 4 seconds, paired with LED flashing red. Any other units will follow suit—they will beep 3 times every 4 seconds, paired with the LED flashing red and green in succession. When the smoke concentration level drops below the alarm threshold, the alarm will cease.

2. If the Initiating Unit Is Triggered by CO:

When one CO alarm is triggered in the interconnected network, the unit will beep 4 times every 5.8 seconds, paired with the LED flashing red. Any other units will follow suit—they will beep 4 times every 5.8 seconds, paired with the LED that flashes red 4 times first, followed by the LED that flashes green. When the CO concentration level drops below the alarm threshold, the alarm will cease.

For more details, please see “LED Indicator and Audible Alarm”.

NOTES

- When one unit is triggered, other interconnected units will sound. If the smoke alarm and CO alarm are triggered in the network at the same time, the alarm signal of the smoke alarm will take priority over that of the CO alarm.
- If the initiating alarm is a voice alarm with location support (such as XS0B-MR), the other interconnected voice alarms with location support will also provide location information. However, if the initiating alarm is without location support, the other interconnected voice alarms with location support (such as XS0B-MR) will relay the voice alert without specifying the location.
- This alarm has a relay function that extends the wireless interconnected network for wide detection coverage.

Silence Mode

You can silence the device by pressing the test/silence button on the device or tapping the silence button in the app.

If you press the silence button during an alarm state, the device will say “Smoke alarm silenced” and a push notification will be sent to your phone (when connected to the base station). Then the unit will be in the silence mode for 9 minutes. During the silence mode, the LED flashes red 3 times every 4 seconds. After 9 minutes, the LED will flash green 3 times and the alarm will enter the normal mode.

When Connected to the Base Station

When an alarm is triggered, you can press the Silence button on the base station to silence all passive interlinked alarms except the initiating alarm. To silence the initiating alarm, simply press the test/silence button on the device. Additionally,

you can tap the "Silence All" button in the app to silence the base station and all alarms, including the initiating one.

You can tap the Locate button in the app to find the initiating alarm; all devices will stop alarming except the initiating alarm. Simply silence the initiating alarm by tapping the silence icon in the app or by pressing the test/silence button on the device.

When Not Connected to the Base Station

Simply press the test/silence button on one of the devices to silence the interconnected system, however only silencing the initiating alarm will silence all other interconnected alarms.

The initiating alarm will report the voice "Smoke alarm silenced" and all other interconnected alarms won't.

NOTES

- You can silence all interconnected units by pressing the test/silence button on one of the units. If one unit is still alarming, it is the initiating unit (the unit that detected danger); to silence all interlinked units, you must also press the test/silence button on the initiating unit.
- While interconnected, the initiating unit cannot be triggered again during the 9-minute silence duration. However, all other interconnected units can be triggered again if they detect danger during the silence mode.

Battery Replacement

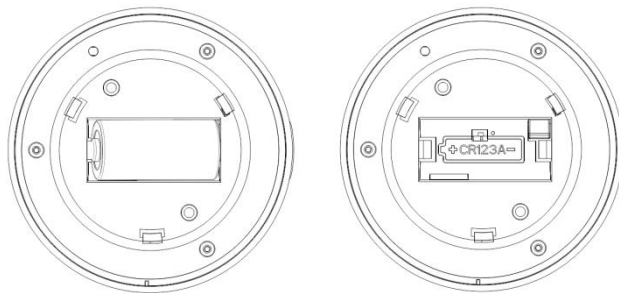
Low Battery

The LED indicator flashes yellow once every 60 seconds. For the first 15 minutes, the device will give a verbal warning "Caution. Low battery. Replace the battery now." every 60 seconds. After 15 minutes, the device will stop the voice alert and beep once every 60 seconds.

(If you press the test button when there is low battery, the low battery signal will temporarily cease for 10 hours.)

Replacing Battery

1. To replace the battery, detach the smoke alarm from the mounting bracket by twisting counterclockwise.
2. Remove the battery, and then install a new battery, matching the correct polarity markings.
3. Test the alarm, and then mount the alarm onto the mounting bracket by twisting clockwise to lock the alarm.



End of Life

When the device reaches its end of life, the LED indicator will flash yellow 3 times every 60 seconds. For the first 15 minutes, the device will give a verbal warning “Caution. The alarm has reached the end of its lifetime. Replace the device now.” After 15 minutes, the device will stop the voice alert and beep 3 times every 60 seconds. This end-of-life signal can be temporarily silenced for 22 hours by pressing the test button.

The end-of-life silence feature can only be used for a total of 30 days. After 30 days, the end-of-life signal cannot be silenced.

LED Indicator and Voice Guide

| Mode | LED Indicator | Voice Guide | | Remarks |
|-------------|--|-----------------|---|--|
| Powering On | Runs through 2 cycles (red/yellow/green/blue) in | First-time use. | “Hello from X-Sense.” | Remove the battery insulating film from the battery compartment to turn on the |
| | | | “Location not set. Press the Location button to select a location.” | |

| | | | | | |
|------------------|---|---------------------------------------|--|---|---|
| | | sequence . | The battery is replaced. | “Press the Test/Silence button to test.” | device. When the LED stops flashing, the voice guide will give instructions. |
| Setting Location | | Flashes red once every 3 seconds. | Location not set. | “Location not set. Press the Location button again to select a location.” | Press down the Location Button. After the voice guide has ended, the LED will flash red every 3 seconds to indicate that the device is currently in the location setting mode, and the LED will continue to flash until it returns to standby mode. |
| | | | Location set. | “ <u>Location</u> set. Press the Location button again to change the set location.” | |
| Standby Mode | | Flashes green once every 60 seconds. | None. | | None. |
| | Unit detected smoke and initiated an alarm. | Flashes red 3 times every 4 seconds. | “Warning. Smoke detected in <u>Location</u> . Evacuate.” | | Dangerous smoke concentration is detected. Open nearby windows and doors, and immediately move to fresh air. |
| | Smoke concentration | Flashes green once every second for 5 | “Danger cleared.” | | Alarm cancellation: |

| | | | | |
|------------|---|---|--|--|
| Alarm Mode | n level drops. | seconds. | | when the smoke concentration level drops below the alarm threshold, the alarm signal will stop. |
| | All other interconnect ed units in the network. | Flashes red and green 3 times sequentially every 4 seconds. | “Warning. Smoke detected in <u>Location</u> . Evacuate.” | Dangerous smoke concentration is detected by the initiating unit in the network. Please find the initiating unit and take action. |
| Test Mode | Test a single unit. | 1 set of 3 red flashes. | “This is only a test. The alarm will sound loudly. You can press the Test/Silence button to cancel the test. ” | <ul style="list-style-type: none"> • Press the test/silence button on the device. • Tap the Device Test button in the app (for devices connected to the base station). |
| | | | “Testing the smoke sensor.” | |
| | | | “The test is finished.” | |
| | | | “Normal working status.” | Normal functioning. |
| | | | “Caution. Low battery. Replace the battery now.” | Low battery. |
| | | | “Caution. Smoke sensor malfunction. Replace the device now.” | Smoke sensor malfunction. |
| | | | “Caution. The alarm has reached the end of its lifetime. Replace the device now.” | End of life. |

| | | | | |
|--------------|--|--|---|---|
| | Test all interconnected units. | Flashes red rapidly. | “This is a test for all units. Please confirm if other units receive this test signal from <u>Location</u> . To cancel, release the Test/Silence button.” | Initiating alarm. Hold down the Test/Silence button on one unit in the network. |
| | | Flashes red and green sequentially. | “Test signal received from <u>Location</u> , not a real alarm.” | Other interconnected alarms in the network. |
| Silence Mode | Flashes red 3 times every 4 seconds. | “Smoke alarm silenced.” | | Smoke silence mode: After 9 minutes, the unit will exit silence mode. |
| | Flashes yellow once every 60 seconds. | “Temporarily silenced.” | | Silence mode during low battery: After 10 hours, the unit will exit silence mode. |
| | Flashes yellow 3 times every 60 seconds. | “Temporarily silenced.” | | Silence mode during the end of life: After 22 hours, the unit will exit silence mode. |
| | Flashes green 3 times. | None. | | Exiting silence mode. |
| Low Battery | Flashes yellow once every 60 seconds. | “Caution. Low battery. Replace the battery now.” | | Replace the battery immediately. |

| | | | |
|--------------------|---|--|---|
| Fault | Flashes yellow 2 times every 60 seconds. | “Caution. Smoke sensor malfunction. Replace the device now.” | Please clean your alarm and see if it is working normally. If the unit has malfunctioned, it must be replaced immediately. |
| End of Life | Flashes yellow 3 times every 60 seconds. | “Caution. The alarm has reached the end of its lifetime. Replace the device now.” | Replace the unit immediately. |

Technical Specifications

| | |
|---|--|
| Power Supply | CR123A lithium battery (replaceable) |
| Battery Life | 5 years (test once a week) (wireless interconnected network) 3-5 years (when connected to base station) |
| Smoke Sensor Type | Photoelectric |
| Operating Temperature | 40–100°F (4.4–37.8°C) |
| Operating Relative Humidity | ≤ 85% RH (non-condensing) |
| Alarm Loudness | ≥ 85 dB at 10 ft (3 m) @ 3.2 ± 0.3 kHz pulsing alarm |
| Silence Duration | ≤ 9 minutes |
| Operating Frequency | US: 915 MHz; EU: 869.25-869.3 MHz (10 mW e.r.p.) |
| Maximum Number of Interconnected Units | 24 wireless units (only compatible with X-Sense Link+ Pro and Link+ wireless alarms) |
| Transmission Range | Over 1,700 ft (500 m) in open air |

NOTE:

1. Battery life is calculated on the current ratings in the standby mode with weekly testings. If its operation mode changes to an alarming condition, the battery life will be decreased accordingly.

2. The smoke alarm functions between 40 and 100°F (4.4 and 37.8°C). Prolonged exposure to temperatures outside of this range can reduce battery life and affect accuracy. We do not recommend operating the device outside of this range.

Maintenance

To keep your smoke alarm in good working order, follow these simple steps:

1. Verify the unit's alarm sound and indicator are working properly by testing the unit once a week.
2. As a minimum your smoke alarm should be cleaned once every 3 months:
Remove the unit from the ceiling and clean the alarm cover and vents with your vacuum cleaner fitted with the soft brush attachment to remove dust and dirt.
3. Never use detergents or other solvents to clean the unit.
4. Avoid spraying air fresheners, hair spray or other aerosols near the alarm.
5. Do not paint the unit. Paint will seal the vents and interfere with the sensor's ability to detect fire.
6. Never attempt to disassemble the unit or clean inside. Doing so will void your warranty.
7. When removed, place the smoke alarm back in its proper location as soon as possible, to assure continuous protection from fire.
8. When household cleaning supplies or similar contaminants are used, the area should be ventilated.

Troubleshooting

| Problems | Cause | Solution |
|--|---|--|
| The device is not triggered when it is tested with smoke. | The device is not turned on. | Make sure the battery insulating film is removed. If the battery runs out, please replace the battery. |
| | The smoke is not reaching the sensor properly. | The holes on the surface of the device are for the speaker and buzzer. Smoke will not be effective. The smoke needs to enter the device from the side grille in order to trigger the alarm. |

| | | |
|--|---|---|
| | The time duration is insufficient for the device to detect smoke. | Continuous smoke is necessary for the device to be triggered. When smoke reaches the smoke sensor, the device will be triggered in about 20 seconds. |
| | Insufficient smoke concentration. | This product utilizes a photoelectric sensor, requiring sufficient smoke concentration for detection. Higher smoke levels lead to faster alarm response. Avoid using an open flame for testing. |
| The alarm does not sound during a test. | The device does not turn on. | Remove the battery insulating film from the battery compartment to turn on the device. If the battery runs out, please replace the battery. |
| | You don't push the Test/Silence button firmly. | Make sure you have pushed the Test/Silence button firmly. |
| When the test button is held down, only one alarm sounds and the other interconnected alarms do not respond. | | <ul style="list-style-type: none"> ● When connected to a base station, holding down the test button only tests a single device. <ul style="list-style-type: none"> ● When connected to a wireless interconnected network, holding down the test button will test all devices in the network. ● When exited from the wireless interconnected network, holding down the test button only tests a single device. ● A short press on the test button will always test a single device. |
| False alarms are triggered intermittently when residents are cooking, taking showers, etc. | The device is improperly installed. | Install the device far away from kitchen appliances, dusty places, shower areas, and locations where the temperature is over 100°F (37.8°C) or below 40°F (4.4°C). Check the location of your alarm (see "Installation Positioning"). |
| | The device is clogged by dirt and dust. | Clean the device periodically (see "Maintenance"). |
| When an alarm sounds, the voice does not announce | The initiating alarm | If the initiating alarm is a voice alarm with |

| | | |
|---|--|--|
| <p>the location, but only announces "Warning! Smoke detected. Evacuate."</p> | <p>does not support location.</p> | <p>location support (such as XS0B-MR), the other interconnected voice alarms with location support will also provide location information. However, if the initiating alarm is without location support, the other interconnected voice alarms with location support (such as XS0B-MR) will relay the voice alert without specifying the location.</p> |
| <p>It is unclear how to judge which alarm is triggered first.</p> | | <p>Look in the app (when connected to the base station): only the initiating alarm will be displayed as being triggered, and the other alarms will not.</p> |
| | | <p>Determine by the voice: All alarms in the network will report the voice with the location where the initiating one is triggered.</p> |
| | | <p>Judge by the color of the LED indicator: the initiating alarm flashes red, and the other alarms alternate flashing red and green.</p> |
| | | <p>Press the test button: In the alarming mode, press the test/silence button on any of the devices. If all other alarms are muted, the device you pressed is the source alarm, if not, then the source alarm is the one you will hear continuing to alarm. You need to press the test/silence button to silence the initiating alarm.</p> |
| <p>The previous set location is forgotten.</p> | <p>None.</p> | <p>Go to the device page in the app, where you will find the location displayed in the details.</p> <p>Remove the device from the mounting bracket and press the Location button on the back. Then the device will report the current location. If you need to reset the location, press the Location button again, and follow the instructions and voice prompts.</p> |
| <p>The alarm cannot be added to the base station.</p> | <p>The alarm did not</p> | <p>Quickly press the pairing button twice on the</p> |

| | | |
|---|---|---|
| | enter pairing mode. | alarm until it flashes blue rapidly, indicating it has entered pairing mode. |
| The alarm volume of the base station is low. | The alarm sound is set to low. | Go to “Base Station Alarm Volume” in the “Alarm Sound Settings” option to adjust the alarm sound. |
| The app push notification is delayed or there are no push alerts. | The battery ran out. | Unscrew the alarm from the bracket, bring the unit indoors to charge, then reinstall. |
| | The app push notification permission is disabled. | Turn on the push notification permission on the phone. |
| | The base station is not within the network coverage of the router. | The distance between the base station and the router should be within 170 ft (50 m). Please ensure that the base station is always within the network coverage of the router. |
| | The communication between the alarm and base station is not stable or they are too far apart. | Reduce the obstacles between the alarm and base station. The maximum distance between the alarm and the base station in an open environment is 1,700 ft (500 m). |
| | The network connection of the router and the mobile phone is abnormal. | Make sure the network connection of the router and the mobile phone is working normally. |
| The app shows that the alarm is offline. | The communication between the alarm and the base station is blocked or the distance is too far. | Reduce the obstacles between the alarm and the base station. The maximum distance between the alarm and the base station is 1,700 ft (500 m) in an open environment. |
| | The battery ran out. | Replace the battery. |
| The LED flashes yellow once every 60 seconds with one beep. | Low battery. | The battery is low. Push the Test/Silence button once to silence for 10 hours. Replace the battery immediately. |
| The LED flashes yellow 2 times every 60 seconds with 2 beeps. | Malfunction. | The alarm is malfunctioning. Please clean your alarm (see “Maintenance”). If the problem still occurs, replace the alarm immediately. |
| The LED flashes yellow 3 times every 60 seconds with 3 beeps. | End of life. | The maximum lifetime is reached. Push Test/Silence button once to silence for 22 hours. Replace the alarm immediately. |

Environmental Protection

Waste electrical products should not be disposed of with household waste. Please recycle where facilities exist. Check with Local Authority or retailer for recycling advice.



Manufacturer and Service Information

X-Sense Electronics Co., Ltd.

Address: Room 402, Building 4, No. 9, Jinshagang 1st Road, Shixia Village, Dalang Town, Dongguan City, 523750 Guangdong, P.R. China

Email: support@x-sense.com

FCC Caution.

This device complies with part 15 of the FCC Rules. Operation is subject to the following two conditions:

- (1) This device may not cause harmful interference, and
- (2) this device must accept any interference received, including interference that may cause undesired operation.

Any Changes or modifications not expressly approved by the party responsible for compliance could void the user's authority to operate the equipment.

Note: This equipment has been tested and found to comply with the limits for a Class B digital device, pursuant to part 15 of the FCC Rules. These limits are designed to provide reasonable protection against harmful interference in a residential installation. This equipment generates uses and can radiate radio frequency energy and, if not installed and used in accordance with the instructions, may cause harmful interference to radio communications. However, there is no guarantee that interference will not occur in a particular installation. If this equipment does cause harmful interference to radio or television reception, which can be determined by turning the equipment off and on, the user is encouraged to try to correct the interference by one or more of the following measures:

- Reorient or relocate the receiving antenna.
- Increase the separation between the equipment and receiver.
- Connect the equipment into an outlet on a circuit different from that to which the receiver is connected.

-Consult the dealer or an experienced radio/TV technician for help.

This equipment complies with FCC radiation exposure limits set forth for an uncontrolled environment. This equipment should be installed and operated with minimum distance 20cm between the radiator & your body.