

# ATEX/IECEX Hazardous Area Approvals Fisher™ LCP200 Local Control Panel

## Hazardous Area Classifications and Special Instructions for “Safe Use” and Installations in Hazardous Locations

Certain nameplates may carry more than one approval, and each approval may have unique installation/wiring requirements and/or conditions of “safe use”. These special instructions for “safe use” are in addition to, and may override, the standard installation procedures. Special instructions are listed by approval.

### Note

This information supplements the nameplate markings affixed to the product and the LCP200 instruction manual ([D104296X012](#)), available from your [Emerson sales office](#) or Fisher.com.

Always refer to the nameplate itself to identify the appropriate certification.

LCP200 instruments with a IIC rating may have different hardware than IIB rated instruments; be sure to order the appropriately rated instrument based on your application and wiring practices.

### **⚠ WARNING**

Failure to follow these conditions of “safe use” could result in personal injury or property damage from fire or explosion, or area re-classification.

## Intrinsically Safe Specific Conditions of Use

1. Install unit in area of low risk from mechanical hazards. To prevent the risk of electrostatic sparking, the non-metallic surface shall be cleaned with a damp cloth.

### Notes

Ambient temperature rating:  $-40^{\circ}\text{C} \leq T_a \leq +65^{\circ}\text{C}$

1. Install per drawing GG55194, shown in figure 1, 2, 3, and 4, as indicated on the nameplate.
2. Substitution of components may impair intrinsic safety.
3. The enclosure contains non-metallic enclosure parts. To prevent the risk of electrostatic sparking, the non-metallic surface shall be cleaned with a damp cloth.

Refer to table 1 for approval information.

Table 1. Approval Information, ATEX/IECEX

| Certificate   | Certification Obtained   | Entity Rating   | Temperature Code       |
|---------------|--|---|------------------------|
| ATEX<br>IECEX | ATEX: FM17ATEX0071X (G) II 1 GD<br>IECEX: IECEX FMG 17.0028X<br>Intrinsically Safe<br>Gas<br>Ex ia IIC Ga<br>Dust<br>Ex ia IIIC Da<br>Install Per Drawing GG55194 (shown in figure 1, 2, 3, and 4) | Per Drawing GG55194<br>(shown in figure 1, 2, 3, and 4) | Gas: T6<br>Dust: T85°C |

Figure 1. Intrinsically Safe, LOOP Power, ATEX/IECEX  
 Wiring Configuration A (LOOP-Powered only) From Barrier to Digital Valve Controller and LCP200  
 See Notes in figure 3 and Notes 1, 2, 3, 4, and 5 in Figure 4

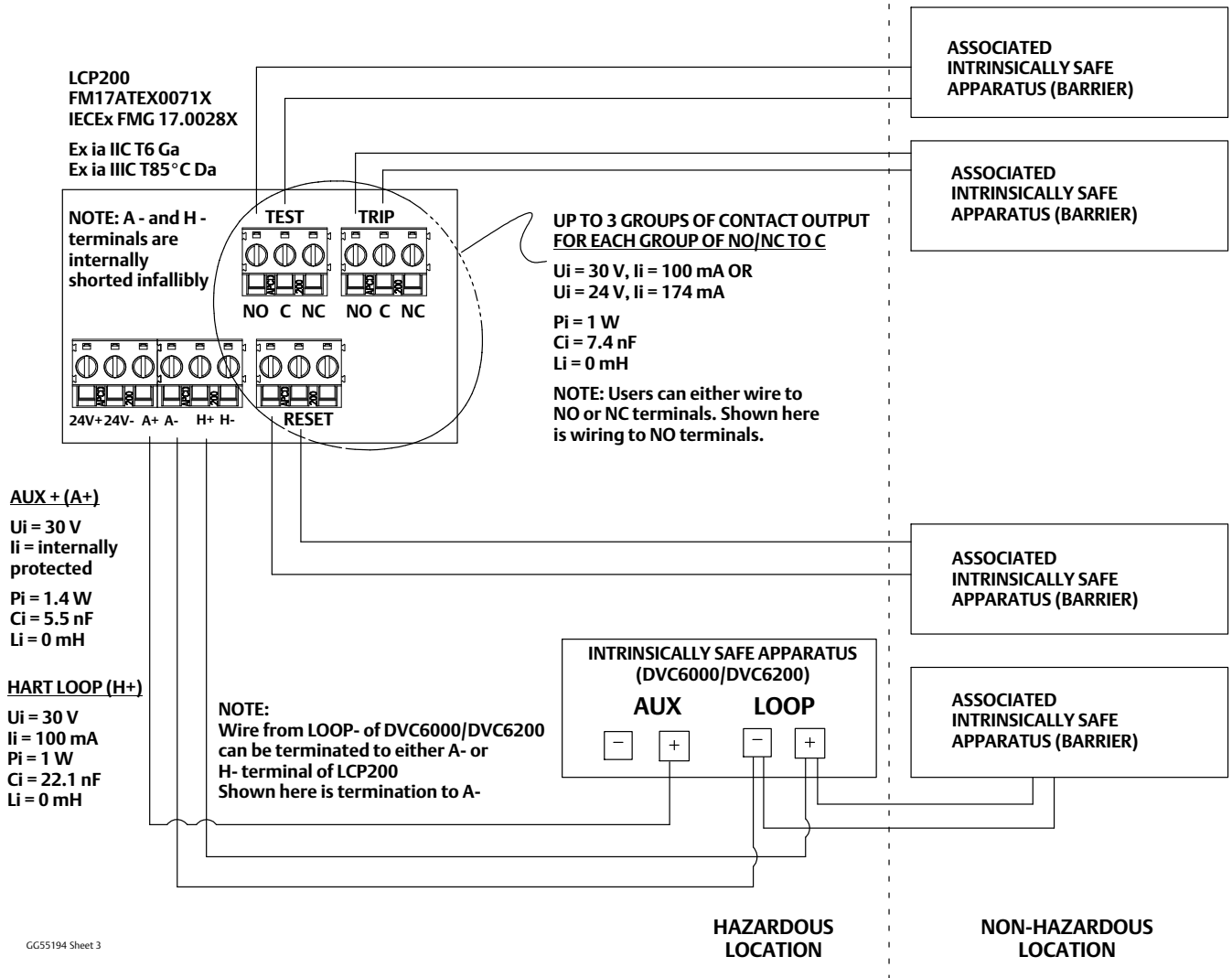
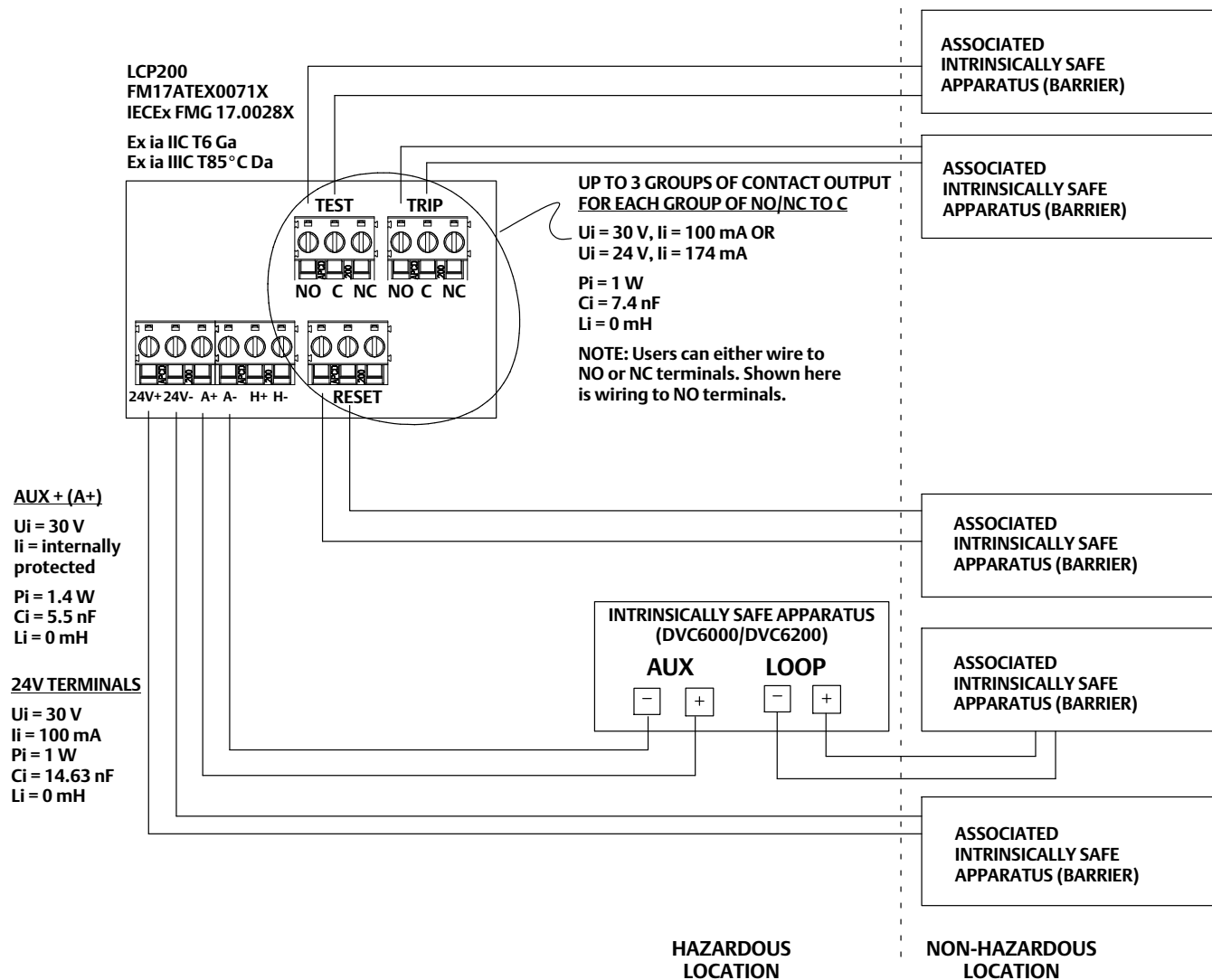


Figure 2. Intrinsically Safe, External Power 24V, ATEX/IECEX  
 Wiring Configuration B (External 24V Only) From Barrier to Digital Valve Controller and LCP200  
 See Notes in figure 3 and Notes 1, 2, 4, and 5 in Figure 4.



---

**Figure 3. Notes****NOTES:**

THE INTRINSIC SAFETY ENTITY CONCEPT ALLOWS THE INTERCONNECTION OF TWO APPROVED INTRINSICALLY SAFE DEVICES, WITH ENTITY PARAMETERS NOT SPECIFICALLY EXAMINED IN COMBINATION AS A SYSTEM WHEN:  
 $U_o \leq U_i$ ,  $I_o \leq I_i$ ,  $C_o \geq C_i + C_{cable}$ ,  $L_o \geq L_i + L_{cable}$ ,  $P_o \leq P_i$ .

DUST-TIGHT SEAL MUST BE USED WHEN INSTALLED IN DUST PROTECTED ENVIRONMENTS.

EACH CONNECTION BETWEEN THE LCP200 AND THE ASSOCIATED INTRINSICALLY SAFE APPARATUS SHALL BE SEPARATELY SHIELDED FROM THE OTHER CONNECTIONS.

WHEN CALCULATING THE ENTITY COMBINATIONS THAT INCLUDE THE DVC6000/DVC6200, THE SUMMATION OF THE  $C_i + C_{cable}$  AS WELL AS THE  $L_i + L_{cable}$  FOR THE DVC6000/DVC6200 AND THE LCP200 SHALL BE USED.

ASSOCIATED APPARATUS MANUFACTURERS' INSTALLATION DRAWING MUST BE FOLLOWED WHEN INSTALLING THIS EQUIPMENT.

GG55194 Sheet 1.2

---

**Figure 4. Notes**

Refer to Notes 1, 2, 3, 4, and 5 for Figure 1. Intrinsically Safe, LOOP Power, ATEX/IECEx Wiring Configuration A (LOOP-Powered only) From Barrier to Digital Valve Controller and LCP200

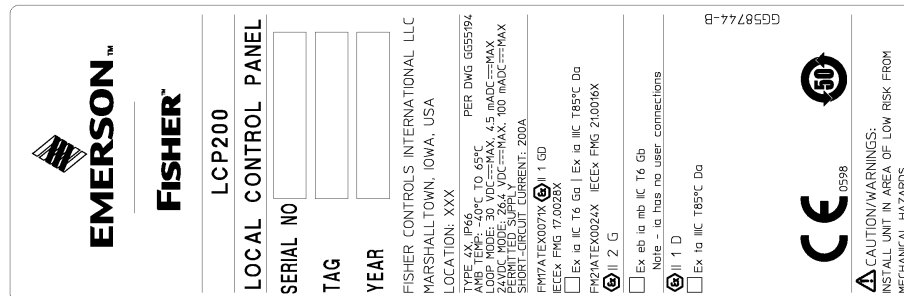
Refer to Notes 1, 2, 4, and 5 for Figure 2. Intrinsically Safe, External Power 24V, ATEX/IECEx Wiring Configuration B (External 24V Only) From Barrier to Digital Valve Controller and LCP200

**NOTES:**

- 1) FOR Ex ia APPLICATIONS THE FOLLOWING INFORMATION SHALL BE OBSERVED:
  - a) THE OVERALL GAS GROUP RATING OF THE INTRINSICALLY SAFE CIRCUIT WILL BE LOWEST GAS GROUPING OF ALL APPARATUS FORMING THE CIRCUIT. FOR EXAMPLE, A CIRCUIT WITH BOTH IIB AND IIC APPARATUS WILL HAVE AN OVERALL CIRCUIT GAS GROUP RATING OF IIB.
  - b) THE LEVEL OF PROTECTION OF THE INTRINSICALLY SAFE CIRCUIT WILL BE THE LOWEST LEVEL OF ALL APPARATUS FORMING THE CIRCUIT. FOR EXAMPLE, A CIRCUIT WITH BOTH "ia" AND "ib" WILL HAVE AN OVERALL PROTECTION LEVEL OF "ib".
- 2) THE LOWEST PERMISSIBLE INPUT VOLTAGE ( $U_i$ ), INPUT CURRENT ( $I_i$ ), AND INPUT POWER ( $P_i$ ) OF EACH APPARATUS SHALL BE GREATER THAN OR EQUAL TO THE OUTPUT VOLTAGE ( $U_o$ ), OUTPUT CURRENT ( $I_o$ ), AND OUTPUT POWER ( $P_o$ ) OF THE ASSOCIATED APPARATUS (BARRIER). THE SUM OF THE MAX UNPROTECTED CAPACITANCE ( $C_i$ ) AND MAX UNPROTECTED INDUCTANCE ( $L_i$ ), INCLUDING THE INTERCONNECTED CABLING CAPACITANCE ( $C_{cable}$ ) AND CABLING INDUCTANCE ( $L_{cable}$ ) MUST BE LESS THAN THE ALLOWABLE CAPACITANCE ( $C_a$ ) AND INDUCTANCE ( $L_a$ ) DEFINED BY THE ASSOCIATED APPARATUS. IF THE ABOVE CRITERIA IS MET THAN THE COMBINATION MAY BE CONNECTED.
- 3) INSTALLATION OF THE LCP200 IS SUCH THAT ITS LOOP TERMINALS WILL BE CONNECTED IN PARALLEL WITH OTHER INTRINSICALLY SAFE APPARATUS LOOP TERMINALS. THE WIRING COMING FROM THE BARRIER INTO THE HAZARDOUS LOCATION MAY BE TERMINATED AT EITHER THE INTRINSICALLY SAFE APPARATUS, OR AT THE LCP200.
- 4) MAXIMUM SAFE AREA VOLTAGE MUST NOT EXCEED 250 VRMS
- 5) THE ENCLOSURE CONTAINS NON-METALLIC ENCLOSURE PARTS. TO PREVENT THE RISK OF ELECTROSTATIC SPARKING, THE NON-METALLIC SURFACE SHALL BE CLEANED WITH A DAMP CLOTH.

GG55194 Sheet 1.2

Figure 5. LCP200 ATEX/IECEx Nameplate, Intrinsically Safe



# Explosion-proof

## Specific Conditions of Use

1. The enclosure contains non-metallic enclosure parts. To prevent the risk of electrostatic sparking, the non-metallic surface shall be cleaned with a damp cloth.
2. The flameproof joints of the equipment are not intended to be repaired. Consult the manufacturer if repair of the joints is necessary.
3. The electronics compartment rear cover is assembled and torqued at the factory and is not to be removed by the end user.
4. Consult the manufacturer for genuine replacement terminal cover fasteners. The fasteners are 316 stainless steel, bolt class A4-70, sized M6 x 1 mm x 15 mm.

## Notes

Ambient temperature rating:  $-40^{\circ}\text{C} \leq T_a \leq +65^{\circ}\text{C}$

1. Install unit in area of low risk from mechanical hazards.
2. Install per drawing GG55194, shown in figure 6, 7, and 8, as indicated on the nameplate.
3. Substitution of components may impair intrinsic safety.

Refer to table 2 for approval information.

Table 2. Approval Information, ATEX/IECEx

| Certificate   | Certification Obtained   | Loop Schematic                                       | Temperature Code       |
|---------------|--|--|------------------------|
| ATEX<br>IECEx | ATEX: FM21ATEX0024X<br>IECEx: IECEx FMG 21.0016X<br>Ex eb ia mb IIC T6 Gb<br>Ex ta IIC T85°C Da<br>Ex db ia IIB T6 Gb<br>Ex db ia IIC T6 Gb<br>Install Per Drawing GG55194 (shown in figure 6, 7, and 8) | Per Drawing GG55194<br>(shown in figure 6, 7, and 8) | Gas: T6<br>Dust: T85°C |

Figure 6. Explosion-proof, LOOP Power, ATEX/IECEX  
 Wiring Configuration A (LOOP-Powered only)  
 See Figure 8 Notes

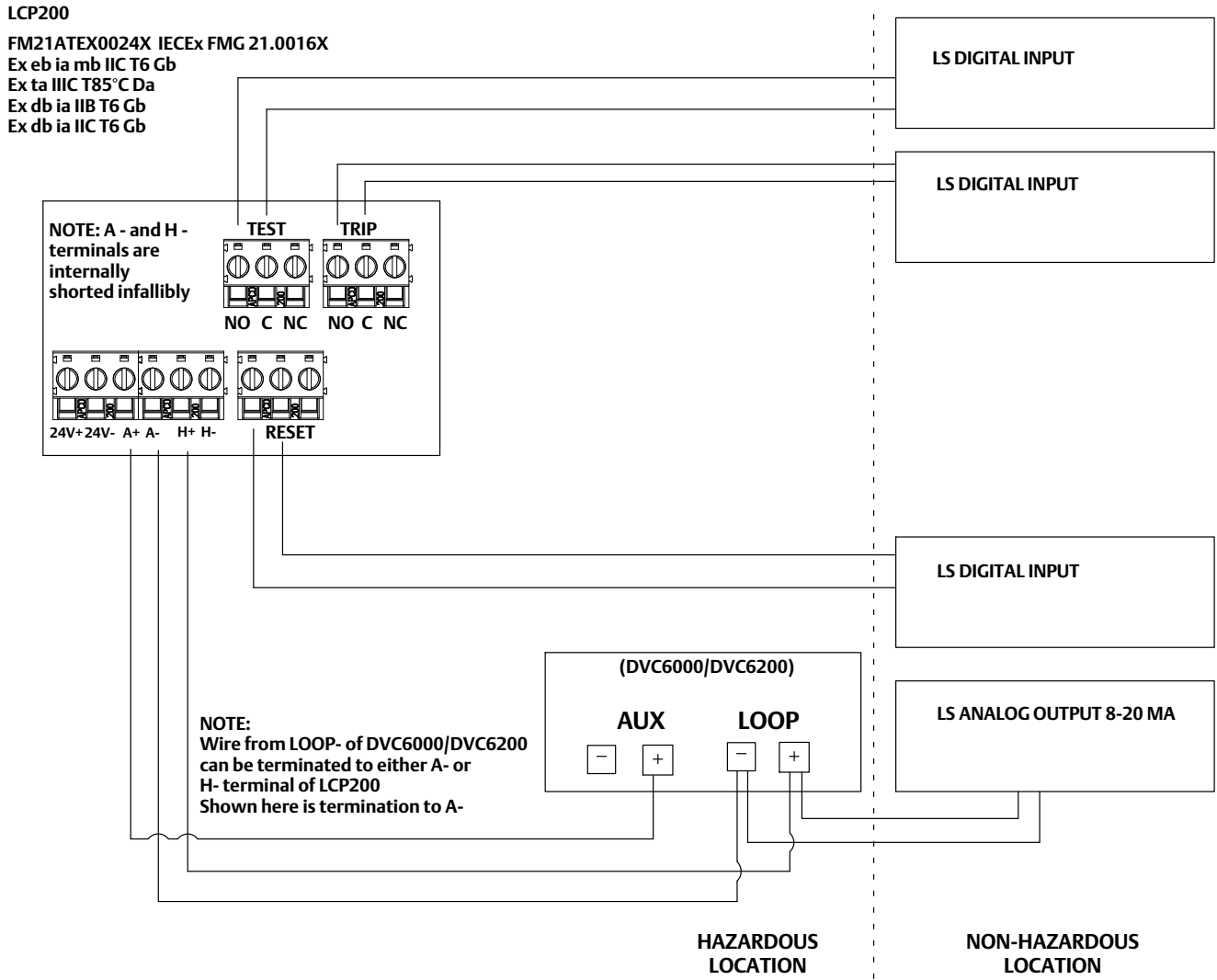


Figure 7. Explosion-proof, External Power 24V, ATEX/IECEX

Wiring Configuration B (External 24V Only)

See Figure 8 Notes

LCP200

FM21ATEX0024X IECEx FMG 21.0016X

Ex eb ia mb IIC T6 Gb

Ex ta IIIC T85°C Da

Ex db ia IIB T6 Gb

Ex db ia IIC T6 Gb

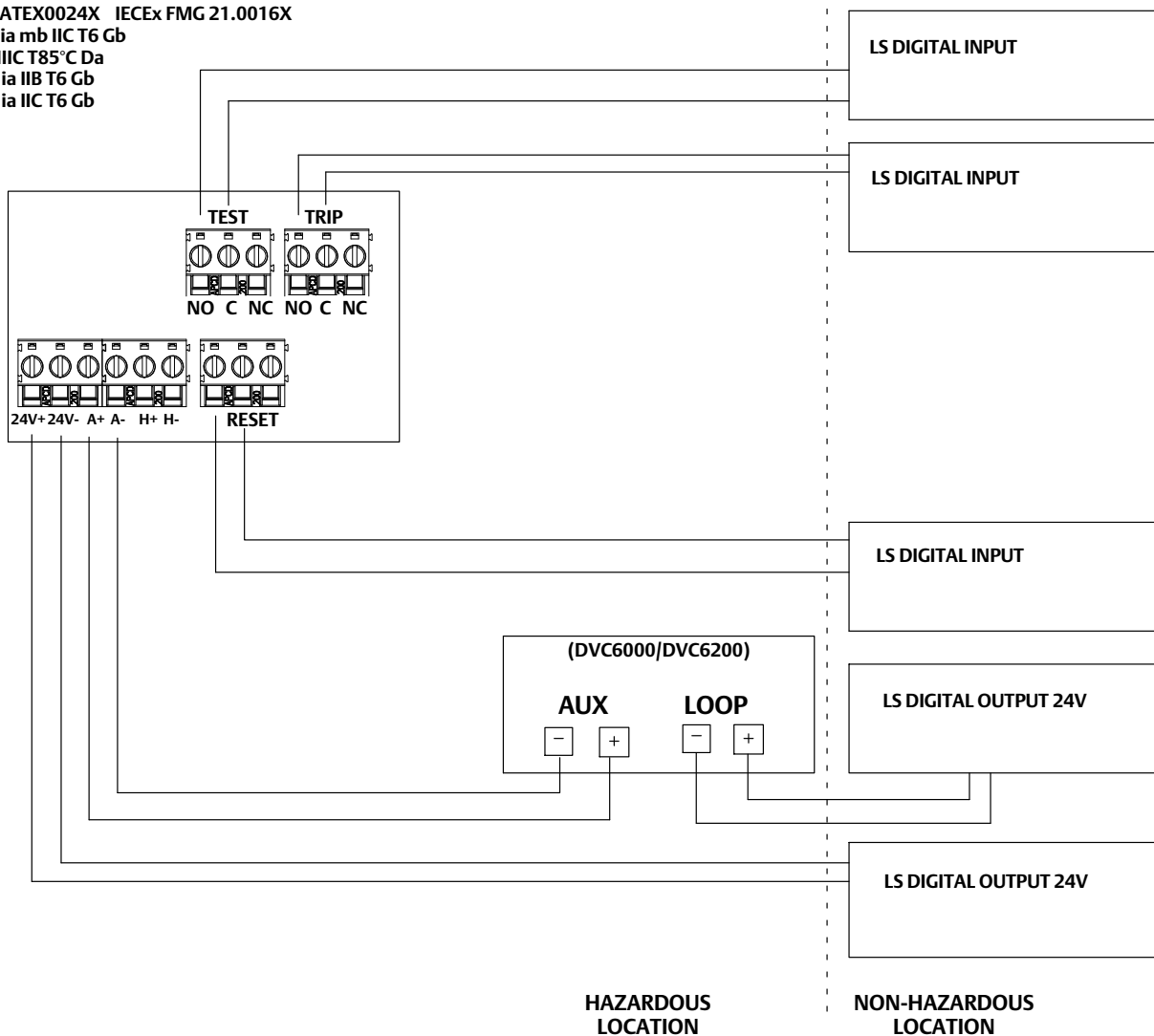


Figure 8. Notes

NOTES:

ASSOCIATED APPARATUS MANUFACTURER'S INSTALLATION DRAWING MUST BE FOLLOWED WHEN INSTALLING THIS EQUIPMENT.

- 1) EQUIPMENT SHALL BE INSTALLED IN ACCORDANCE WITH THE CANADIAN ELECTRIC CODE, PART 1 OR NEC NFPA AND ANSI/ISA RP12.06.01.
- 2) THE ENCLOSURE CONTAINS NON-METALLIC ENCLOSURE PARTS TO PREVENT THE RISK OF ELECTROSTATIC SPARKING. THE NON-METALLIC SURFACE SHALL BE CLEANED WITH A DAMP CLOTH.
- 3) DUST-TIGHT CONDUIT SEAL MUST BE INSTALLED WITHIN 18" WHEN INSTALLED IN CLASS II AND CLASS III ENVIRONMENT.
- 4) THE NAMEPLATE IS PROVIDED WITH BOXES THAT THE END USER/INSTALLER MUST CHECK OR ETCH FOR THE PROTECTION METHOD USED ACCORDING TO THE INSTALLATION.
- 5) CAUTION - USE FASTENERS WITH YIELD STRESS  $\geq$  450 MPa.
- 6) END USER SHALL CLOSE ANY UNUSED ENTRIES WITH SUITABLY CERTIFIED BLANKING ELEMENTS.
- 7) FOR ZONES APPLICATIONS, CONNECTION OF THE INTERNAL GROUND IS REQUIRED AS CONNECTION OF THE EXTERNAL GROUP IS OPTIONAL.

GG55194 Sheet 7, 8

Figure 9. LCP200 ATEX/IECEx Nameplate, Explosion-proof, Group IIC







|   |                      |   |  |
|---|----------------------|---|--|
|    |                      | LCP200<br>LOCAL CONTROL PANEL   |  |
| SERIAL NO   | <input type="text"/> |   |  |
| TAG   | <input type="text"/> |   |  |
| YEAR  | <input type="text"/> |   |  |
| FISHER CONTROLS INTERNATIONAL LLC<br>MARSHALLTOWN, IOWA, USA<br>LOCATION: XXX   |                      |   |  |
| TYPE AX, IP66 PER DWG GG55194<br>AMB TEMP: -40°C TO 65°C<br>LOGIC MODE: 30 VDC --- MAX, 4.5 mA DC --- MAX<br>24 VDC MODE: 264 VDC --- MAX, 100 mA DC --- MAX<br>PERMITTED SUPPLY SHORT-CIRCUIT CURRENT: 200A<br>FM17A TEX0071X IIC 1 GD<br>IECEx FNG 17.0028X<br><input type="checkbox"/> Ex ia IIC T6 Gb   Ex ia IIC T85°C Da<br>FM21A TEX0024X IECEx FNG 21.0016X<br><input checked="" type="checkbox"/> II 2 G |                      |   |  |
| <input type="checkbox"/> Ex eb Ia mb IIC T6 Gb<br><input type="checkbox"/> Ex db Ia IIC T6 Gb<br>Note - Ia has no user connections  |                      |   |  |
| <input checked="" type="checkbox"/> II 1 D<br><input type="checkbox"/> Ex Ia IIC T85°C Da   |                      |   |  |
|   |                      |   |  |
| CAUTION/WARNINGS:<br>*DO NOT OPEN WHEN AN EXPLOSIVE ATMOSPHERE IS PRESENT<br>*NE PAS OUVRIR EN PRESENCE D'UNE ATMOSPHERE EXPLOSIVE<br>*INSTALL UNIT IN AREA OF LOW RISK FROM MECHANICAL HAZARDS.  |                      |   |  |
|   |                      | 8-9728559D  |  |

Figure 10. LCP200 ATEX/IECEx Nameplate, Explosion-proof, Group IIB

|   |                      |   |  |
|---|----------------------|---|--|
|    |                      | LCP200<br>LOCAL CONTROL PANEL   |  |
| SERIAL NO   | <input type="text"/> |   |  |
| TAG   | <input type="text"/> |   |  |
| YEAR  | <input type="text"/> |   |  |
| FISHER CONTROLS INTERNATIONAL LLC<br>MARSHALLTOWN, IOWA, USA<br>LOCATION: XXX   |                      |   |  |
| TYPE AX, IP66 PER DWG GG55194<br>AMB TEMP: -40°C TO 65°C<br>LOGIC MODE: 30 VDC --- MAX, 4.5 mA DC --- MAX<br>24 VDC MODE: 264 VDC --- MAX, 100 mA DC --- MAX<br>PERMITTED SUPPLY SHORT-CIRCUIT CURRENT: 200A<br>FM17A TEX0071X IIC 1 GD<br>IECEx FNG 17.0028X<br><input type="checkbox"/> Ex ia IIC T6 Gb   Ex ia IIC T85°C Da<br>FM21A TEX0024X IECEx FNG 21.0016X<br><input checked="" type="checkbox"/> II 2 G |                      |   |  |
| <input type="checkbox"/> Ex eb Ia mb IIC T6 Gb<br><input type="checkbox"/> Ex db Ia IIC T6 Gb<br>Note - Ia has no user connections  |                      |   |  |
| <input checked="" type="checkbox"/> II 1 D<br><input type="checkbox"/> Ex Ia IIC T85°C Da   |                      |   |  |
|   |                      |   |  |
| CAUTION/WARNINGS:<br>*DO NOT OPEN WHEN AN EXPLOSIVE ATMOSPHERE IS PRESENT<br>*NE PAS OUVRIR EN PRESENCE D'UNE ATMOSPHERE EXPLOSIVE<br>*INSTALL UNIT IN AREA OF LOW RISK FROM MECHANICAL HAZARDS.  |                      |   |  |
|   |                      | 8-572745-B  |  |



Neither Emerson, Emerson Automation Solutions, nor any of their affiliated entities assumes responsibility for the selection, use or maintenance of any product. Responsibility for proper selection, use, and maintenance of any product remains solely with the purchaser and end user.

Fisher is a mark owned by one of the companies in the Emerson Automation Solutions business unit of Emerson Electric Co. Emerson Automation Solutions, Emerson, and the Emerson logo are trademarks and service marks of Emerson Electric Co. All other marks are the property of their respective owners.

The contents of this publication are presented for informational purposes only, and while every effort has been made to ensure their accuracy, they are not to be construed as warranties or guarantees, express or implied, regarding the products or services described herein or their use or applicability. All sales are governed by our terms and conditions, which are available upon request. We reserve the right to modify or improve the designs or specifications of such products at any time without notice.

#### Emerson Automation Solutions

Marshalltown, Iowa 50158 USA

Sorocaba, 18087 Brazil

Cernay, 68700 France

Dubai, United Arab Emirates

Singapore 128461 Singapore

[www.Fisher.com](http://www.Fisher.com)

