

PARTYPAL 390



USER MANUAL



PARTYPAL 390

Thank you for purchasing the boAt PartyPal 390. You are now just a step away from the realm of pure audio bliss.

Allow this User Manual to guide you through in case of any doubts and difficulties and to continue smooth sailing.

Please note that playtime will vary depending on the selected volume level. You can stay plugged into the sound via Bluetooth wireless technology, USB, TF, FM, and aux wire compatibility. This portable wireless speaker has been designed for a smooth interface that requires a minimum of effort.

PACKAGE CONTAINS:

1x Portable Bluetooth Speaker
1x Power Cable
1x Audio Cable
1x Brand Catalogue

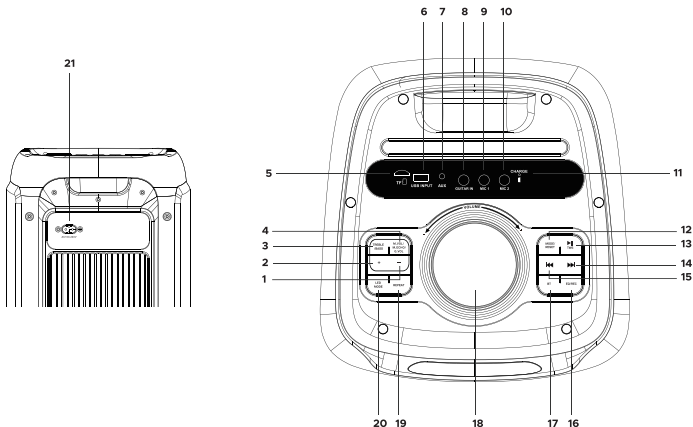
1x User Manual
1x Wired Microphone
1x Warranty Card

PRODUCT OVERVIEW

POWER ON/OFF:

Utilize the power switch to turn the speaker on or off.

Note: Playtime varies according to the level of volume.



BASIC FUNCTION:

1. Decrease ‘-’ Button: Short press to decrease & Long Press to quick decrease :
Works for Bass/Treble, Mic, Echo, Guitar

2. Increase ‘+’ Button: Short press to increase & Long Press to quick increase :
Works for Bass/Treble, Mic, Echo, Guitar

3. Bass/Treble Control: Short press to switch between the bass/treble sound.

- Short press to choose Bass control, the display shows “b”, then press “+” or “-” button to adjust the sound.
- Short press to choose Treble control, the display shows “t”, then press the “+” or “-” button to adjust the sound.

4. Echo/Guitar/MIC Volume Button: short press to switch between

Echo/Guitar/Mic volume key.

- Short press to choose Echo Volume Control, the display shows “E”, then press the “+” or “-” button to adjust the sound.

- Short press to choose Guitar Volume Control, the display shows “G”, then press the “+” or “-” button to adjust the sound.

- Short press to choose MIC Volume Control, the display shows “M”, then press the “+” or “-” button to adjust the sound.

5. TF Card input: Insert the TF card in this slot.

6. USB input: Insert the USB in this slot.

7. AUX input: Insert the Aux cable over here.

8. Guitar Input: Connect the Guitar cable here.

9. Mic Input 1: Connect the microphone 1 cable here.

10. Mic Input 2: Connect the microphone 2 cable here.

11. Charging Indicator: Check the charging LEDs light.

12. Mode Button: Short press to select your preferred input mode, long press to clear BT history/ switch EQ back to Normal-Music/Treble/Bass back to 0.

13. Play/Pause Button: Short press to play/pause, long press to activate TWS function.

14. Next Track: Short press the Next Track button for the next track.

15. Previous Track: Short press the Previous Track button for the previous track.

16. Record button: Short press to select EQ effect, long press to record, and long press again to play the recording, and long press to stop playing.

17. BT Button: Short press to go back to BT mode, long press to disconnect BT mode, and long press again to reconnect BT mode.

18. Master Volume: Turn the knob towards the right to increase the volume and turn it to the left to decrease the volume.

19. Repeat Button: Short press the repeat button to choose all or one, only in USB and TF card mode.

20. LED Lights Button: Long press the button to turn the RGB lights on/off and short press the button to switch the LED lights.

21. AC Input: Connect the power cable over here.

22. Power Button: Turn on the unit on or off.

OPERATING INSTRUCTIONS

Source change

Short press the MODE button on the product to change the source between Bluetooth /AUX/ USB / Micro SD .

Bass/Treble '+' and '-'

Press the + or - button on the product to change the equalization by increasing/decreasing the level of bass/treble tones.

LED effects



After turning on the device, you can press the "LED" button on the product to choose the LED lights and turn them off/on.

Sound effects

Recording function

- After turning on the device, put flash memory or TF card into the slots. Long press the REC button on the control panel to record the microphone voice and music.
- Long Press REC button again to stop the recording and to play the recording, long press to stop playing.


BLUETOOTH CONNECTIVITY

- Short Press the MODE or BT button on the control panel until the LED displays BT.
- The  on the LED display will flash to indicate that the speaker is in Bluetooth pairing mode. Ensure that the device you wish to connect is also in pairing mode and search for PartyPal 390 in its device list.
- The  on the LED display will stop flashing and remain constant when the pairing is done.

Note: The speaker will now automatically re-pair with this device whenever it is within range and has Bluetooth turned on.

The speaker will automatically play the music by the music player which operated during Bluetooth paired in the first time.

TWS CONNECTION

- Power on the two identical speakers you want to pair, and turn on the Bluetooth mode in both speakers.
- Once the speakers are in Bluetooth Mode and your main speaker is connected to your Bluetooth device, long press the button  on the main speaker until the speaker emits a tone indicating that it has entered TWS pairing mode, you can now playback audio through the speaker.

Note:

- **Once two units execute TWS function, they automatically get paired again if next time they are turned on within effective range.**
- **Short press the 'TWS' button to disconnect TWS mode.**
- **In order to use the TWS function, the two speakers must have a maximum distance of about 5 meters from each other in open spaces.**

OPERATING INSTRUCTIONS

- Connect a compatible device with a 3.5mm – 3.5mm stereo jack cable.
- Select AUX mode by pressing the MODE button on the speaker control panel.
- Ensure the connected device is producing an audio signal, then adjust the volume of the speaker by Volume Knob or connected device.

Note: *All music-playing-related function can be controlled by externally connected device under AUX mode.*

USB/TF MODE

- Power on the speaker and insert the flash memory or TF card, the speaker will automatically start to play compatible music.
- To select previous or next music press ◀ or ▶ buttons, to increase or decrease the volume turn the VOLUME knob on the control panel, to play or pause the music press the ⏸ button.

Note:

The speaker will disconnect the Bluetooth connection to automatically play the music from flash memory or TF card, you can back to Bluetooth mode by pressing the BT button on the control panel.

MICROPHONE/GUITAR

- The speaker also has an additional guitar jack which can be used for attaching an electric guitar.
- To connect with the microphone, turn on the power and insert the microphone into the microphone hole.

CHARGING

- Connect the provided power Cable in order to charge the speaker
Turn off the speaker before charging, the LED indicator turns red while charging; once the charging gets completed the indicator turns blue.

Note:

The speaker working time varies from the different working conditions, such as music volume, LED light mode, etc.

The built-in rechargeable battery is not replaceable. Do not trash it to the fire or liquid to avoid safety risk and environmental pollution.

RESET FUNCTIONALITY

In case the device is not working, please turn off the power button & turn it back on

SPECIFICATIONS:

Bluetooth Version	V5.3
Dimension	325x330x692MM
Net Weight	10.80 kg
Working Range	10m
Driver Size	8" x2 + 2" Tweeter x1
Compatibility	USB, TF, Wired Microphone Input, AUX, Guitar IN, Recording, Bluetooth, FM Radio, TWS Function
Frequency	45Hz-20KHz
Input	Built-in power supply AC100-240V
Maximum Output Power	160W
Charging Time	7-7.5 Hours
Playing Time	Up to 6 Hours (at 60% volume)
Lead-acid battery	12V 7500mAh

WARNING

- Please keep this product safe from coming in contact with any liquid.
- Don't use/store this product in extreme temperatures.
- Please keep the product away from anything that generates heat, such as radiators, stoves, etc.
- In order to have hearing protection and an extended speaker life, avoid listening to songs on maximum volume.
- Don't try to dismantle / repair the product on your own.

boAt



PARTYPAL 390
USER MANUAL