

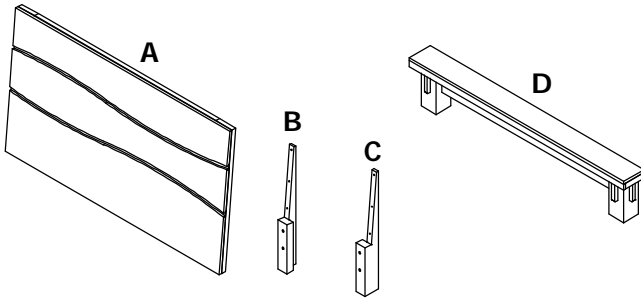
OCEAN PLATFORM BED

FULL/QUEEN/E-KING SIZE ASSEMBLY INSTRUCTIONS

PARTS AND FITTING PACKAGING DETAIL

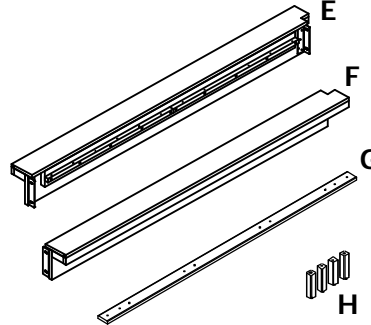
BOX #1

- A. HEADBOARD PANEL 1 PC
- B. HEADBOARD LEG - LEFT 1 PC
- C. HEADBOARD LEG - RIGHT 1 PC
- D. FOOTBOARD 1 PC
- HARDWARE BOX



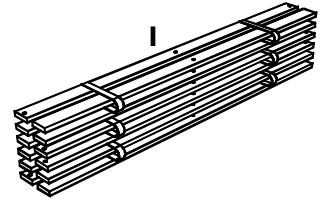
BOX #2

- E. LEFT SIDERAIL 1 PC
- F. RIGHT SIDERAIL 1 PC
- G. CENTER SLAT 1 PC
- H. CENTER LEG 4 PCS
- HARDWARE BOX

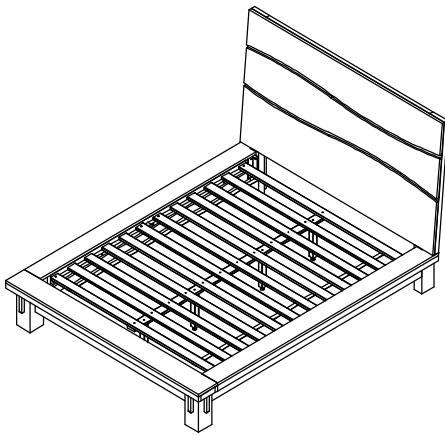


BOX #3

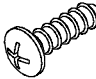

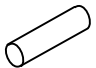

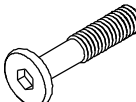
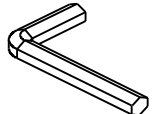
- I. BED SLATS 12 PCS






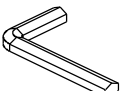
OCEAN PLATFORM BED ASSEMBLED



HARDWARE PACKED IN BOX #2

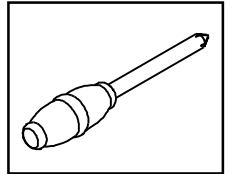
1	PHILLIPS HEAD BOLT 20MM	8 PCS	2	WASHER 8MM	8 PCS	3	METAL PIN 40MM	2 PCS
								
4	WOOD SCREW Ø8X30MM	8 PCS	5	ALLEN BOLT 40MM	10 PCS	6	ALLEN KEY	1 PC
								

HARDWARE* PACKED IN BOX #1

1	ALLEN BOLT 35MM	2 PCS	2	ALLEN BOLT 55MM	2 PCS	3	ALLEN BOLT 70MM	2 PCS	4	ALLEN KEY	1 PC
											

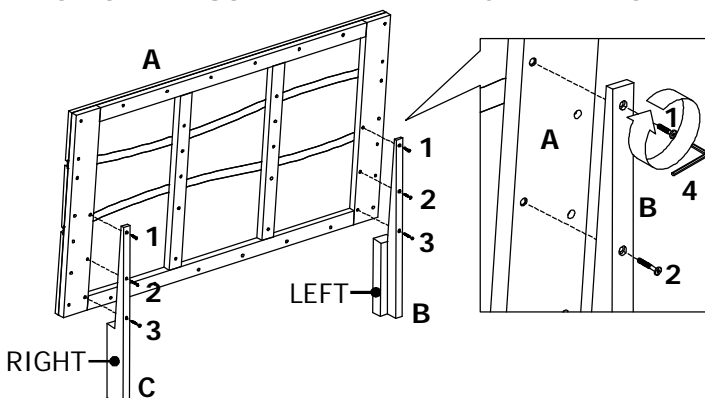
**YOUR BOX
MAY CONTAIN
EXTRA HARDWARE**

TOOL REQUIRED :
PHILLIPS HEAD SCREW
DRIVER (NOT PROVIDED)



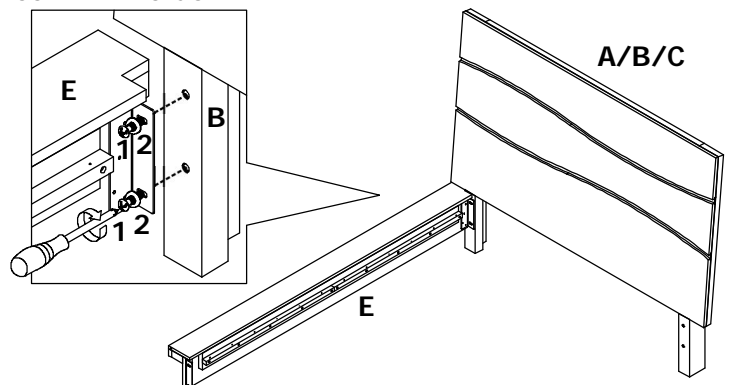
STEP 1 :

FOLLOW THE ILLUSTRATION, PUT THE ALLEN BOLT IN THE PREDILLED HOLE ARE TURNING TO UNIFY THE HEADBOARD LEG (B/C) TO THE HEADBOARD PANEL (A)
*FOR STEP 1 USE HARDWARE PACKED IN BOX #1



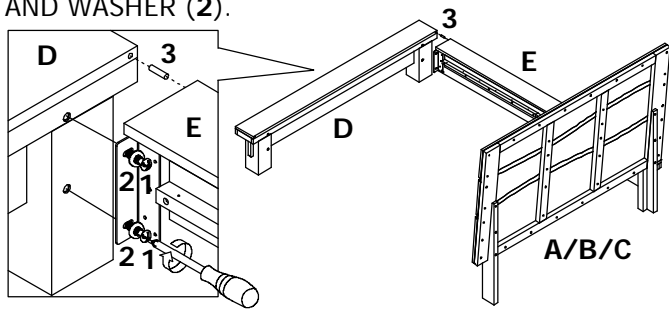
STEP 2 :

FIX THE LEFT SIDERAIL (E) TO THE HEADBOARD ASSY (A/B/C) USING PHILLIPS HEAD BOLTS (1) AND WASHERS (2).
DO NOT TIGHTEN BOLTS COMPLETELY UNTIL ASSEMBLY IS COMPLETED.



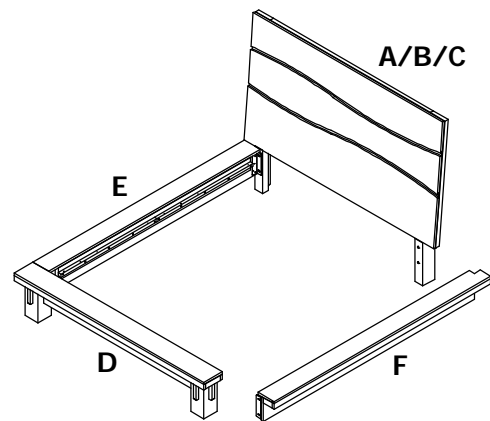
STEP 3 :

ALIGN METAL PIN (3) INTO PREDRILLED HOLE ON THE OTHER END OF THE LEFT SIDERAIL (E) AND THE FOOTBOARD (D).
FIX THE OTHER END OF THE LEFT SIDERAIL (E) TO THE FOOTBOARD (D) USING PHILLIPS HEAD BOLTS (1) AND WASHER (2).



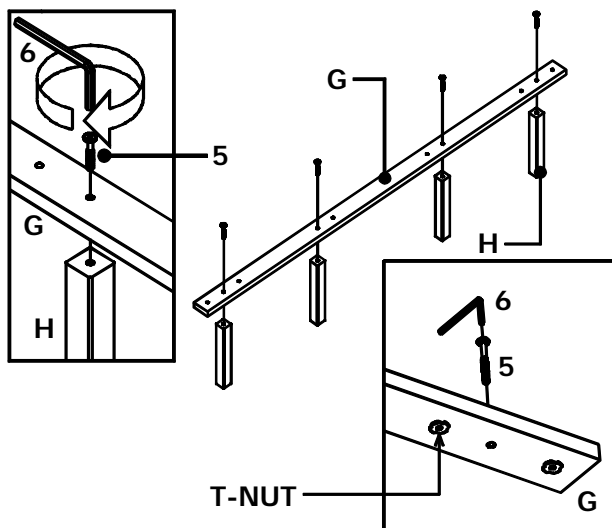
STEP 4 :

REPEAT THE SAME WAY FIX THE RIGHT SIDERAIL (F) TO THE HEADBOARD ASSY (A/B/C) AND FOOTBOARD (D)



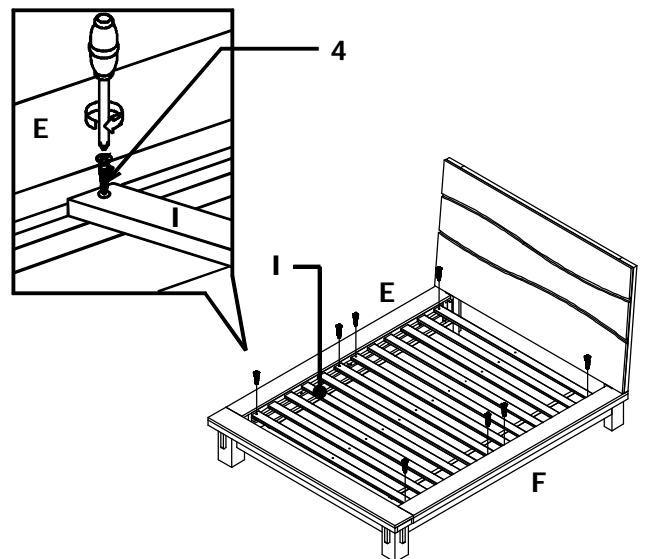
STEP 5 :

ARRANGE CENTER SLAT (G) SO THAT T-NUT ARE FACING THE FLOOR. SLIDE ALLEN BOLTS (5) FROM TOP OF CENTER SLAT (G) INTO THE 2ND, 4TH, 7TH, AND 9TH PRE-DRILLED HOLES. FIX CENTER LEGS (H) TO CENTER SLAT (G) USING ALLEN BOLTS (5) AND ALLEN KEY (6).



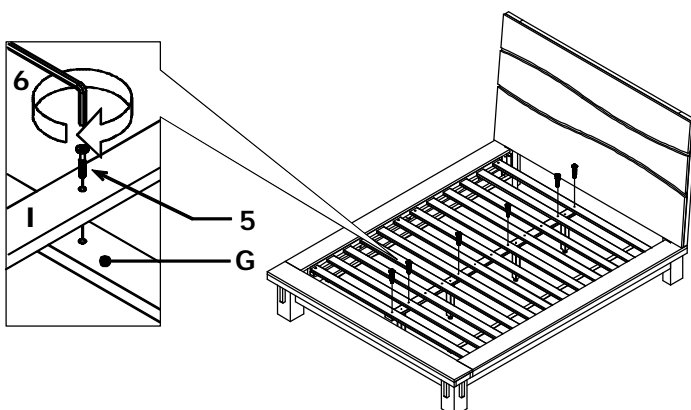
STEP 6 :

SPREAD BED SLATS (I) ON BED FRAME. FIX 1ST, 6TH, 7TH AND 12TH BED SLATS TO BED FRAME USING WOOD SCREWS (4). USE PILOT HOLES ON SIDERAILS (E/F) AS REFERENCE FOR CORRECT PLACEMENT.



STEP 7 :

SLIDE CENTER SLAT (G) UNDER BED SLATS (I). SLIDE ALLEN BOLTS (5) FROM TOP OF BED SLATS (I) THROUGH PRE-DRILLED HOLES ON 1ST, 2ND, 5TH, 8TH, 11TH AND 12TH BED SLATS. TIGHTEN ALLEN BOLTS (5) WITH ALLEN KEY (6) TO SECURE BED SLATS (I) TO CENTER SLAT (G).

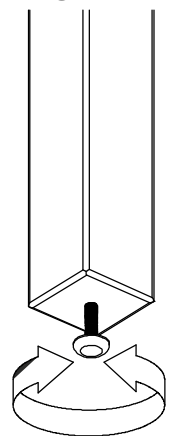


INSTRUCTIONS FOR ADJUSTING LEVELERS :

POSITION THE BED IN YOUR ROOM
LOCATE LEVELERS UNDER EACH
CENTER LEG.

TURN COUNTER-CLOCKWISE TO
EXTEND, CLOCKWISE TO CONTRACT.

ADJUST LEVELERS UNTIL EACH LEG
IS APPLYING EQUAL UPWARD
PRESSURE ON THE CENTER SLAT.



MAINTENANCE INSTRUCTIONS :

- REMOVE BOX SPRING AND MATTRESS BEFORE MOVING YOUR BED.
- LIFT YOUR BED WHEN MOVING IT. DRAGGING CAN DAMAGE CENTER SUPPORT.
- READJUST LEVELERS AFTER MOVING YOUR BED.