

Meat Grinder Chamber and Components Assembly and Disassembly

To ensure safe installation and operation, read the following statements and understand their meaning. Please read carefully.

⚠ WARNING

Warning is used to indicate the presence of a hazard that *can* cause severe personal injury, death, or substantial property damage if the warning is ignored.

SAFETY PRECAUTIONS

	⚠ WARNING
	Electrical Shock Hazard. Keep water and other liquids from entering the inside of the unit. Liquid inside the unit could cause an electrical shock.
Do not spray water or cleaning products. Liquid could contact the electrical components and cause a short circuit or an electrical shock. Do not use unit if power cord is damaged or has been modified. Do not use an extension cord with this unit.	

	⚠ WARNING
	Sharp Blade Hazard. Blades are sharp and can cause cuts and amputation.
To avoid injury from sharp blades, handle with caution. Only trained personal should operate equipment or preform maintenance.	

ASSEMBLY PROCEDURES

1. Turn the meat grinder off and unplug from its power source.
2. Thoroughly clean and dry all parts.
3. If necessary assemble the blade shaft (B) into the worm gear (A). See Figure 1.

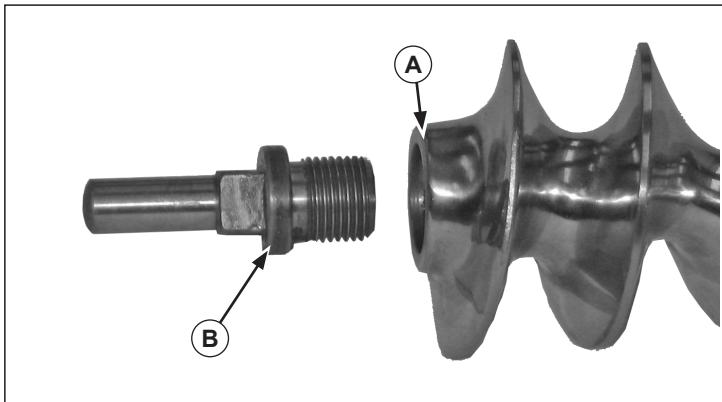


Figure 1. Blade Shaft and Worm Gear

4. Inspect the shaft washer (A) for wear. See Figure 2. Replace if necessary.

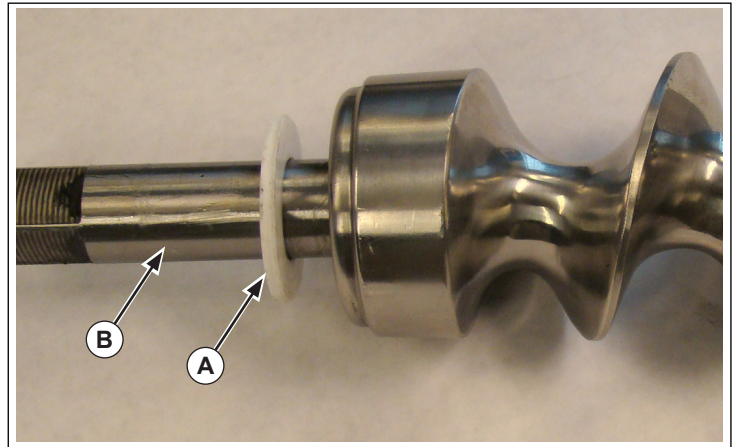


Figure 2. Shaft Washer and Worm Gear Shaft

5. Slide the shaft washer (A) onto the worm gear shaft (B).
6. Slide the shaft washer (A) so that it is seated against the worm gear assembly (B) as shown. See Figure 3.

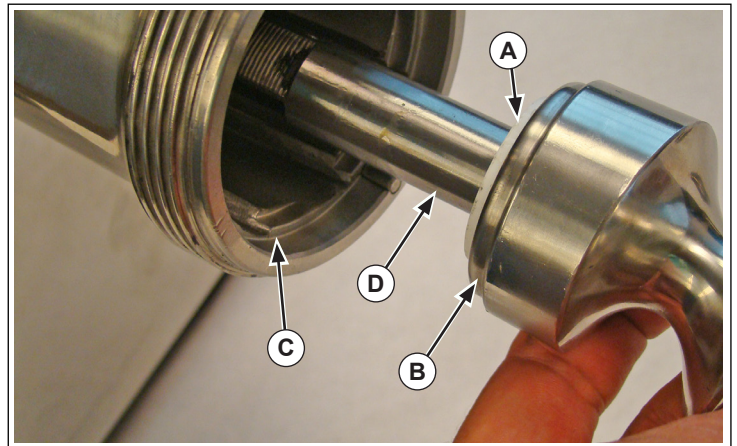


Figure 3. Shaft Washer, Worm Gear Assembly and Grinder Chamber

7. Slide the worm gear assembly (B) and the shaft washer (A) into the grinder chamber (C). Slide the worm gear shaft (D) in until it is seated fully.

- Slide the knife blade (B) so that the flat ground edges (A) face to the outside as shown, onto the blade shaft (C). See Figure 4.

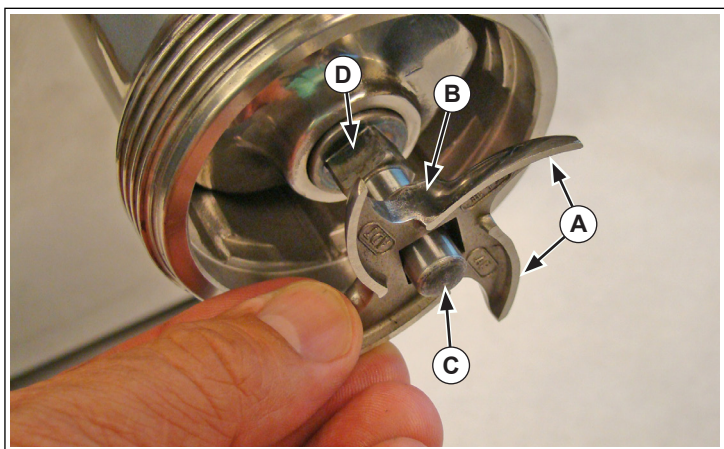


Figure 4. Knife Blade and Blade Shaft

- Slide the knife blade (B) onto the blade shaft (C) so that it seats completely over the square (D). See Figure 5.

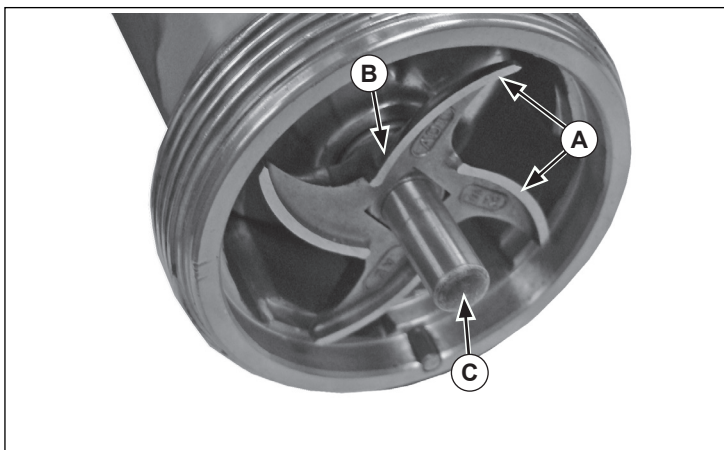


Figure 5. Knife Blade and Blade Shaft

- Place the grinder plate (D) onto the blade shaft (A) so that the cutout (C) slides over the locating pin (B). See Figure 6.

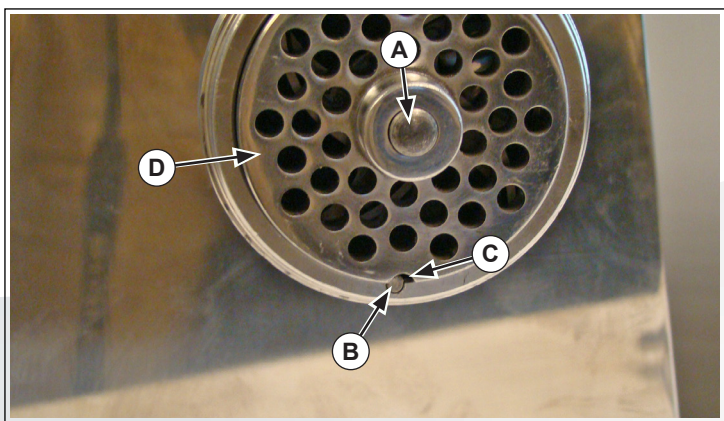


Figure 6. Grinder Plate, Cutout, Locating Pin and Blade Shaft

- If a sausage filler is to be used, place it between the coupling cover (A) and the grinder chamber (B). See Figure 7.

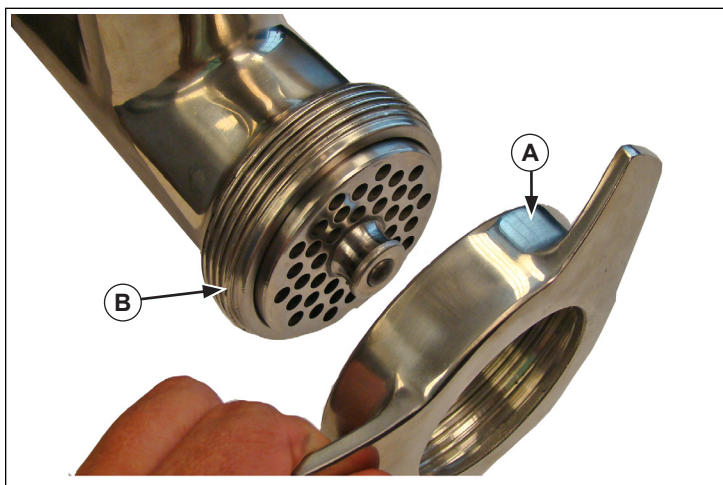


Figure 7. Coupling Cover and Grinder Chamber

- Thread the coupling cover (A) onto the grinder chamber (B) and tighten securely.

DISASSEMBLY PROCEDURES

- Turn the meat grinder off and unplug from its power source.
- Unscrew and remove the coupling cover (A) from the grinder chamber (B). See Figure 7.
- Remove the grinder plate (D) from the blade shaft (A). See Figure 6.
- Carefully remove the knife blade (B) from the blade shaft (C). See Figure 5.
- Remove the worm gear assembly (B) from the grinder chamber (C). See Figure 3.
- Thoroughly clean and dry all parts.



www.vollrathco.com

The Vollrath Company, L.L.C.
1236 North 18th Street
Sheboygan, WI 53081-3201
U.S.A.

Main Tel: 800.628.0830
Fax: 800.752.5620

Technical Services: 800.628.0832
Service Fax: 920.459.5462

Canada Service: 800.695.8560

© 2010 The Vollrath Company, L.L.C.