

Please be sure to read and save the warnings on other side prior to using your unit.

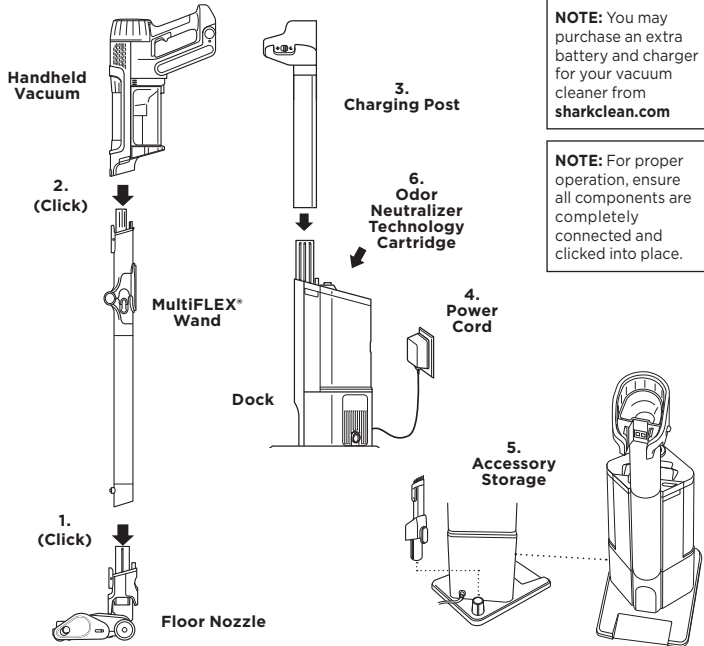
# QUICK START GUIDE

How to set up and use the IP3000 Series Shark® POWERDETECT™ Clean & Empty Vacuum.



## ASSEMBLY

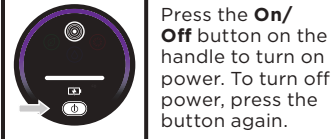
1. Slide the **Wand** onto the neck of the **Floor Nozzle** until it clicks into place.
2. Align the **Hand Vacuum** nozzle opening with the top of the wand and slide it on until it clicks into place.
3. Make sure the **Dock** is facing upright. Slide the **Charging Post** over the mount on front of dock until it clicks.
4. Place the dock on the floor near a wall outlet. Plug the **Power Cord** into the outlet, then connect the cord to the port on the back of the charging post.
5. Store the crevice tool accessory on the mount on the dock.
6. Flip up the dial handle on the Odor Neutralizer Technology cartridge, align the teal arrows, then insert the cartridge into the dock.



**NOTE:** You may purchase an extra battery and charger for your vacuum cleaner from [sharkclean.com](http://sharkclean.com)

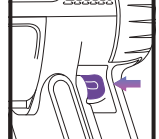
**NOTE:** For proper operation, ensure all components are completely connected and clicked into place.

## POWER ON/OFF



Press the **On/Off** button on the handle to turn on power. To turn off power, press the button again.

## MODE SELECTION TRIGGER



To toggle between **ECO**, **DETECT**, and **BOOST** modes, press the mode selection trigger.

## BATTERY CHARGING INFORMATION



Full Charge → Half Charge → Low Charge → No Charge

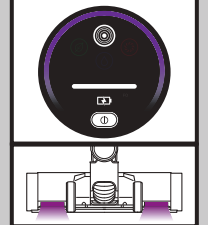
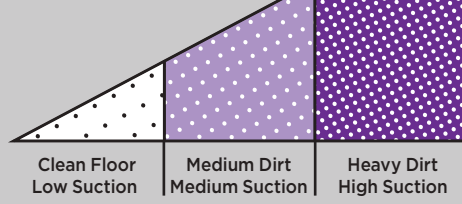
## MODES EXPLAINED

**ECO MODE** Maximizes runtime

**DETECT MODE** SENSES YOUR ENVIRONMENT TO OPTIMIZE YOUR CLEANING EXPERIENCE.

*Detect technology is ONLY activated in Detect mode and is activated automatically when the unit is in use.*

**Dirt Detect:** Identifies dirtier high-traffic areas and automatically boosts suction power to pull in hidden dirt.



**NOTE:** Hand Vacuum UI and Nozzle Lights are Synchronized.

## EDGE DETECT



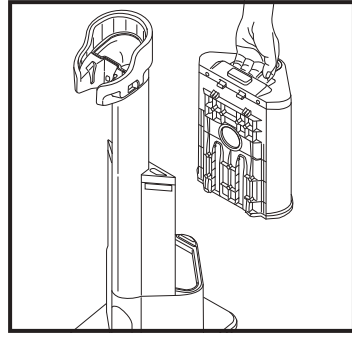
**Edge Detect:** Dynamically detects edges and corners while maximizing suction power to remove stubborn dirt.

**Floor Detect:** The brushroll responds to surface changes and automatically adjusts to optimize your clean.

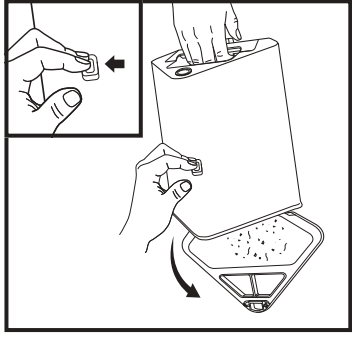
**Light Detect:** Senses low-light situations and automatically illuminates dark areas to help you spot debris.

**BOOST MODE** Maximizes suction

## EMPTYING THE DOCK DUST BIN

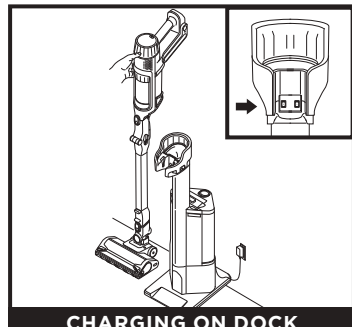


To remove the bin, press the dust bin release button and lift the bin out by the handle.



To empty the bin, hold it over the trash and press the release button on the side. The bottom will open to release the debris.

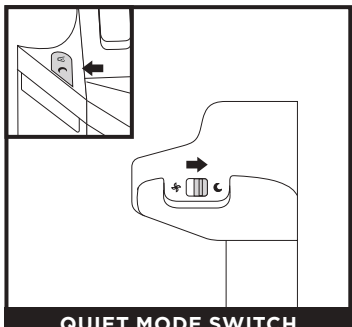
## AUTO-EMPTY DOCK CHARGING



To charge the vacuum on the dock, make sure the dock is plugged into the wall and place the vacuum on the dock cradle.

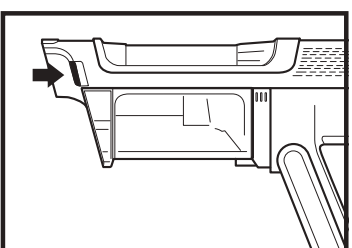
**NOTE:** Vacuum battery does not come fully charged. Please charge battery before use.

## QUIET MODE ACTIVATION

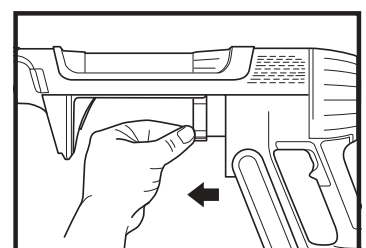


Use Quiet mode to dock and charge the vacuum without automatic evacuation. To activate Quiet mode, move the slider to the right. To deactivate, move the slider to the left. Do not activate Quiet mode when the vacuum is evacuating.

## IMPORTANT: FILTER CLEANING



1. To access the HEPA filter, press the dust cup empty button to release the dust cup.



2. Grip the filter by the tab and slide it out of the hand vac.  
3. After the filter has been rinsed and air-dried completely, slide it back into the hand vacuum.

**NOTE:** Rinse the HEPA filter at least once a month to maintain suction power. More frequent cleaning may be necessary with heavy use. To clean the filter, rinse it with water only and allow it to air-dry completely for up to 48 hours before reinstalling. Tap off loose dirt between washes when needed.  
**IMPORTANT: DO NOT** use soap when cleaning the filters. Use water only. The vacuum will not have suction if the post-motor filter is not installed. Ensure that all filters are installed before using.

# Shark® POWERDETECT™ Clean & Empty Vacuum IP3000 Series

## IMPORTANT SAFETY INSTRUCTIONS



**WARNING: TO REDUCE THE RISK OF INJURY, USER MUST READ INSTRUCTION MANUAL • HOUSEHOLD USE ONLY**

### **WARNING** When using an electrical appliance, to reduce the risk of fire, electric shock, injury, or property damage, basic precautions should always be followed, including the following:

1. This vacuum consists of a motorized nozzle, wand, and handheld vacuum. These components contain electrical connections, electrical wiring, and moving parts that potentially present risk to the user.
  2. Before each use, carefully inspect all parts for any damage. If a part is damaged, discontinue use.
  3. Use only identical replacement parts.
  4. This vacuum contains no serviceable parts.
  5. Use only as described in this manual. **DO NOT** use the vacuum for any purpose other than those described in this manual.
  6. With the exception of the filters and dust cup, **DO NOT** expose any parts of the vacuum to water or other liquids.
  7. Keep the appliance and its cord out of reach of children. **DO NOT** allow the appliance to be used by children. **DO NOT** allow to be used as a toy. Close supervision is necessary when used near children.
- #### GENERAL USE
8. This appliance can be used by persons with reduced physical, sensory, or mental capabilities or lack of experience and knowledge if they have been given supervision or instruction concerning use of the appliance in a safe way and understand the hazards involved. Cleaning and user maintenance shall not be made by children.
  9. Always turn off the vacuum before connecting or disconnecting any current carrying hoses, motorized nozzles, chargers, batteries, or other electrical or mechanical parts.
  10. **DO NOT** handle plug or vacuum with wet hands.
  11. **DO NOT** use without dust cup, HEPA and pre-motor filters, and brushroll in place.
  12. Only use Shark® branded filters and accessories. Failure to do so will void the warranty.
  13. **DO NOT** put any objects into nozzle or accessory openings. **DO NOT** use with any opening blocked; keep free of dust, lint, hair, and anything that may reduce airflow.
  14. **DO NOT** use if nozzle or accessory airflow is restricted. If the air paths or the motorized floor nozzle become blocked, turn the vacuum off. Remove all obstructions before you turn on the unit again.
  15. Keep nozzle and all vacuum openings away from hair, face, fingers, uncovered feet, or loose clothing.
  16. **DO NOT** use if vacuum is not working as it should, or has been dropped, damaged, left outdoors, or dropped into water.
  17. Use extra care when cleaning on stairs.
  18. **DO NOT** leave the vacuum unattended while powered on.
  19. When powered on, keep the vacuum moving over the carpet surface at all times to avoid damaging the carpet fibers.
  20. **DO NOT** place vacuum on unstable surfaces such as chairs or tables.
  21. **DO NOT** use to pick up:
    - a) Liquids
    - b) Large objects
    - c) Hard or sharp objects (glass, nails, screws, or coins)
    - d) Large quantities of dust (including drywall, fireplace ash, or embers). **DO NOT** use as an attachment to power tools for dust collection.
    - e) Smoking or burning objects (hot coals, cigarette butts, or matches)
    - f) Flammable or combustible materials (lighter fluid, gasoline, or kerosene)
    - g) Toxic materials (chlorine bleach, ammonia, or drain cleaner)
  22. **DO NOT** use in the following areas:
    - a) Poorly lit areas
    - b) Wet or damp surfaces
    - c) Outdoor areas
    - d) Spaces that are enclosed and may contain explosive or toxic fumes or vapors (lighter fluid, gasoline, kerosene, paint, paint thinners, mothproofing substances, or flammable dust)
  23. Turn off the vacuum before plugging in or unplugging the charger.
  24. Turn off the vacuum before any adjustment, cleaning, maintenance or troubleshooting.
  25. During cleaning or routine maintenance, **DO NOT** cut anything other than hair, fibers, or string wrapped around the brushrolls.
  26. Allow all filters to air-dry completely before replacing in the vacuum to prevent liquid from being drawn into electric parts.
  27. **DO NOT** modify or attempt to repair the vacuum or the battery yourself, except as indicated in this manual. **DO NOT** use the battery or vacuum if it has been modified or damaged. Damaged or modified batteries may exhibit unpredictable behavior resulting in fire, explosion, or risk of injury.
  28. Always turn off this appliance before connecting or disconnecting motorized nozzle or hand tool.
- #### BATTERY PACK
29. The battery is the power source for the vacuum. Carefully read and follow all charging instructions.
  30. To prevent unintentional starting, ensure it is powered off before picking up or carrying the vacuum. **DO NOT** carry the appliance with your finger on the power switch.
  31. Use only the XDCKIP3000 charging dock. Use of incorrect charger may result in no charging and/or unsafe conditions.
  32. Keep the battery away from all metal objects such as paper clips, coins, keys, nails, or screws. Shorting the battery terminals increases the risk of fire or burns.
  33. Under abusive conditions, liquid may be ejected from the battery. Avoid contact with this liquid, as it may cause irritation or burns. If contact occurs, flush with water. If liquid contacts eyes, seek medical help.
  34. Battery should not be stored at temperatures below 3°C (37.4°F) or above 104°F (40°C) to maintain long-term battery life.
  35. **DO NOT** charge battery at temperatures below 5°C (40°F) or above 104°C (104°F). Charging improperly or at temperatures outside of the specified range may damage the battery and increase the risk of fire.
  36. Store the appliance indoors. **DO NOT** use or store it below 3°C (37.4°F). Ensure the appliance is at room temperature before operating.
  37. **DO NOT** expose the battery to fire or temperatures above 265°F (130°C) as it may cause explosion.
  38. Use appliances only with specifically designated battery packs. Use of any other battery packs may create a risk of injury and fire.
  39. Disconnect the battery pack from the appliance before making any adjustments, changing accessories, or storing appliance. Such preventive safety measures reduce the risk of starting the appliance accidentally.
  40. For IP3000 Series use only with Shark battery pack XBATR640US.
  41. If the charging cord plug does not fit fully into the outlet, reverse the plug. If it still does not fit, contact a qualified electrician. **DO NOT** force into outlet or try to modify to fit.
  42. To reduce the risk of shock and unintended operation, turn off power and remove the Li-Ion battery before servicing.
- #### ODOR NEUTRALIZER TECHNOLOGY CARTRIDGE
43. Observe the following when interacting with the Odor Neutralizer Technology cartridge:
    - a) **DO NOT** attempt to disassemble the cartridge.
    - b) Avoid direct contact with the fragrance pod in the cartridge.
    - c) **DO NOT** directly inhale from the cartridge.
    - d) Keep away from children and pets.
    - e) Keep away from heat, sparks, and open flame.
    - f) **DO NOT** place in direct sunlight.
- #### ODOR CARTRIDGE FIRST AID
- a) Avoid contact with fabrics and finished surfaces.
  - b) Eye contact: Remove contact lenses if present. Rinse continuously with water for several minutes.
  - c) Skin contact: Wash hands thoroughly after handling. If irritation or rash develops, seek medical advice/attention.
  - d) Inhalation: Move person to fresh air if they are experiencing any respiratory symptoms. If symptoms persist, seek medical advice/attention.
  - e) Ingestion: **DO NOT** induce vomiting. Seek medical advice/attention.



## READ AND SAVE THESE INSTRUCTIONS

VISIT [qr.sharkclean.com/IP3000seriesmanual](http://qr.sharkclean.com/IP3000seriesmanual) OR

## SCAN HERE

FOR FULL INSTRUCTIONS & REPLACEMENT PARTS

