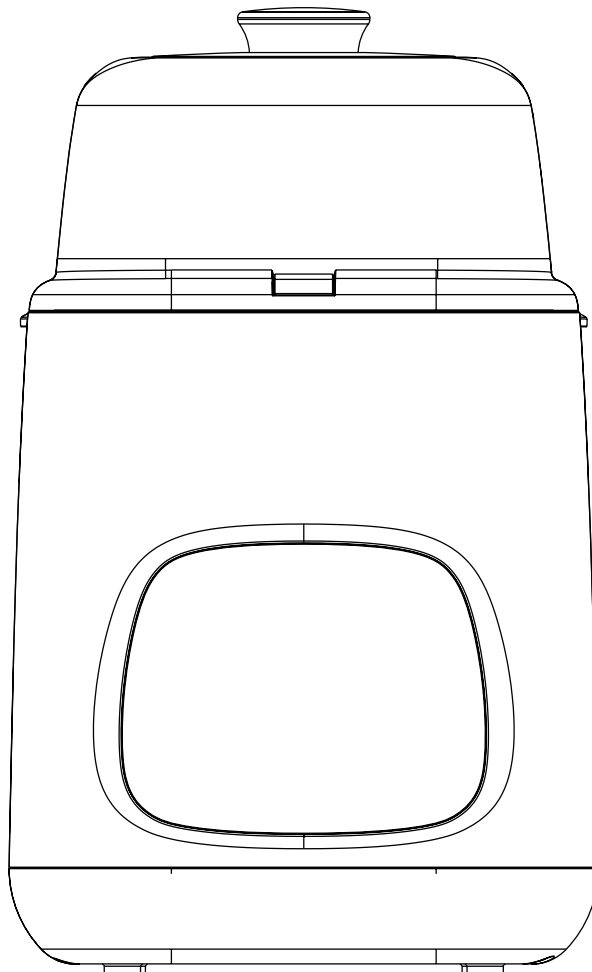


momcozy

AUTO BOTTLE WASHER

BS03

User Manual



EN

DE

FR

IT

ES

PL

Please read the user manual carefully before using this appliance.

CONTENTS

EN	-----	01
DE	-----	31
FR	-----	61
IT	-----	91
ES	-----	121
PL	-----	151



User Manual in other languages

→ ENGLISH

IMPORTANT SAFEGUARDS ----- 03

INSTRUCTIONS FOR USE ----- 06

Structural Representation----- 06

Parts List ----- 07

Product Parameter ----- 08

Control Panel Description ----- 09

Installation Instructions----- 10

Instructions for Bottle Placement ----- 11

Instructions for Breast Pump Placement----- 14

Instructions on the Placement of the Wearable Breast Pump - 15

Instructions on the Placement of Children's Appliances ----- 17

Instructions for Washing Detergent Tablet----- 18

Precautions for Not Recommended Utensil Cleaning ----- 19

Operating Instructions----- 20

Common Functions ----- 21

SERVICE INFORMATION ----- 22

Maintenance and Cleaning----- 22

Air Filter Replacement Instructions ----- 24

Fault Code ----- 25

Troubleshooting ----- 26

IMPORTANT SAFEGUARDS

WHEN USING ELECTRICAL APPLIANCES,
ALWAYS OBSERVE BASIC SAFETY
PRECAUTIONS, INCLUDING THE FOLLOWING:

1. Failure to follow the instructions may cause irreparable damage and the manufacturer is not liable for the consequences.
2. During cold winter weather, use the product at room temperature to prevent potential product failure or safety issues caused by condensation on the surface.
3. Avoid exposing the product to high temperatures or direct sunlight, as this may cause aging or discoloration.
4. Only wash the bottle and its accessories to prevent unexpected damage.
5. Do not hang the power cord over the edge of the table or workbench where the product is placed.
6. Avoid placing the product on the edge of the table, to prevent potential vibration.
7. If you need to open the top cover while the machine is in operation press "Pause" first.
8. When the spray arm is in operation, opening the top cover directly and quickly may cause hot water to spray out and cause harm.
9. If abnormal phenomena (such as a burning odor) occur during use, stop the operation and immediately unplug the device.
10. Ensure you unplug the product after use.

11. Certain conditions (e.g., higher altitude, or lower ambient temperature) may affect the maximum operating temperature, potentially impacting the product's sterilization function.
12. Before moving or storing the product, remove the power plug and wait for the product to cool. Turn off the product and disconnect the power supply before replacing accessories or touching moving parts during use.
13. Do not use accessories or detergents from other manufacturers; otherwise, the warranty on this product will be void.
14. Use pure water or water with low hardness; otherwise, scale may affect the washing quality of the bottle and its accessories, as well as the overall effectiveness and lifespan of the product.
15. The use of non-specific detergents is prohibited. Using detergents not specified for this product may cause product malfunction, damage, or safety problems.
16. Residue from milk powder is easier to clean than substances such as rice paste.
17. Clean any remaining milk powder before placing it into the main machine, to avoid affecting the washing quality.
18. This product is for home use only.
19. Keep children away from this product. If detergent comes into contact with the skin or eyes accidentally, rinse thoroughly with clean water and consult a doctor immediately. Cut up plastic bags to prevent children suffocation.
20. It is not recommended for use by individuals who are not in good physical health, have sensory or mental disorders, or lack of relevant experience and

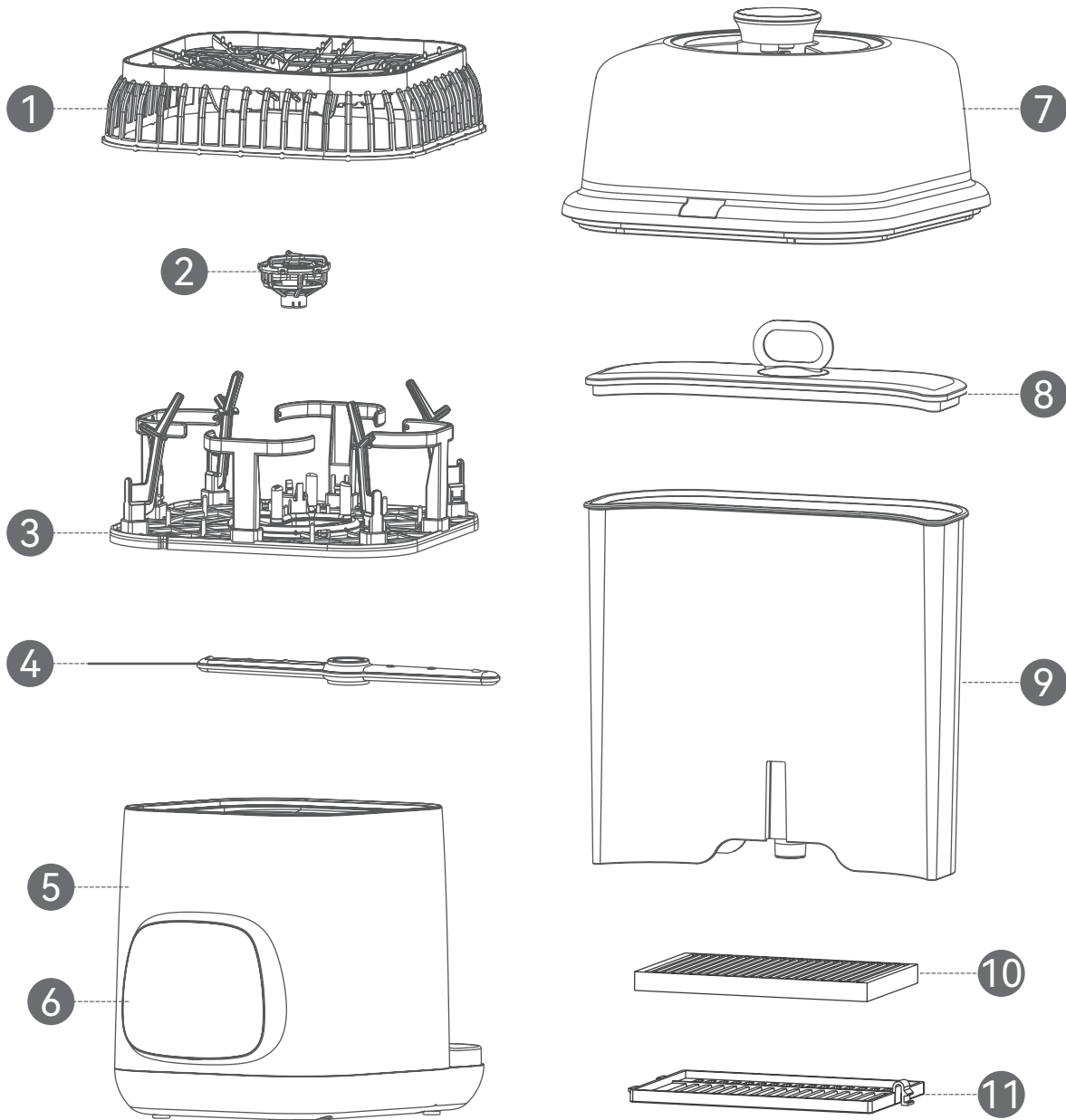
knowledge, to avoid unexpected losses.

21. If the product is faulty and the fault cannot be resolved according to the instructions, contact the manufacturer's after-sales service and professional maintenance personnel to solve the problem. It is prohibited to disassemble and repair the product yourself. If the power cord is damaged, it must be replaced by a professional from the manufacturer, its maintenance department or, a similar department to prevent potential hazards.
22. Avoid using power strips to prevent overheating of the contact part of the plug due to poor contact.
23. Insert it into a grounded socket and ensure a secure connection.
24. Before connecting the product to the power supply, check if the product voltage matches the power supply voltage.
25. Do not plug in or unplug the power plug with wet hands.
26. It is prohibited to move the machine during the working period. If not used for an extended period, power should be turned off.
27. During or shortly after operation, do not touch the heating plate, the area around the vent, inside the shelf, etc., to prevent injury.
28. If the machine needs to stop working in an emergency, press and hold the 'power' button, wait for the drainage to stop, and then unplug it.
29. Only add water at normal temperature to the tank. Adding hot water may cause damage to the machine.
30. Do not directly add water to the washing cavity of the machine, as it may lead to abnormal consequences.
31. There is an air inlet at the bottom of the product; please do not block it.

32. Do not immerse the product in water when cleaning it.

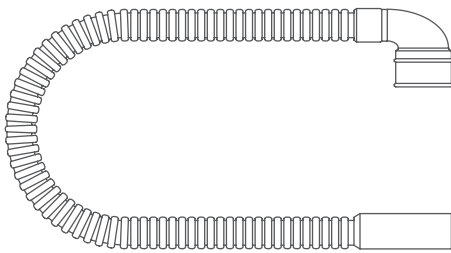
INSTRUCTIONS FOR USE

Structural Representation

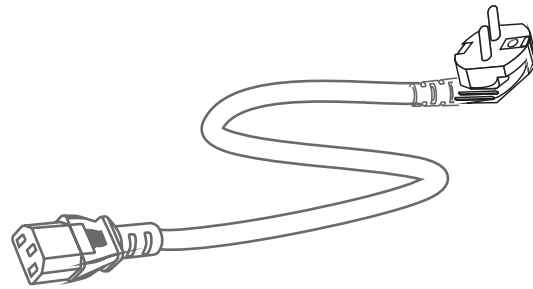


- ① Upper shelf
- ② Upper spray arm
- ③ Lower shelf
- ④ Lower spray arm
- ⑤ Machine body
- ⑥ Operation panel
- ⑦ Top cover
- ⑧ Water tank cover
- ⑨ Water tank
- ⑩ Air filtration chip
- ⑪ Air filtration chip cover

Parts List



Drain-pipe x1



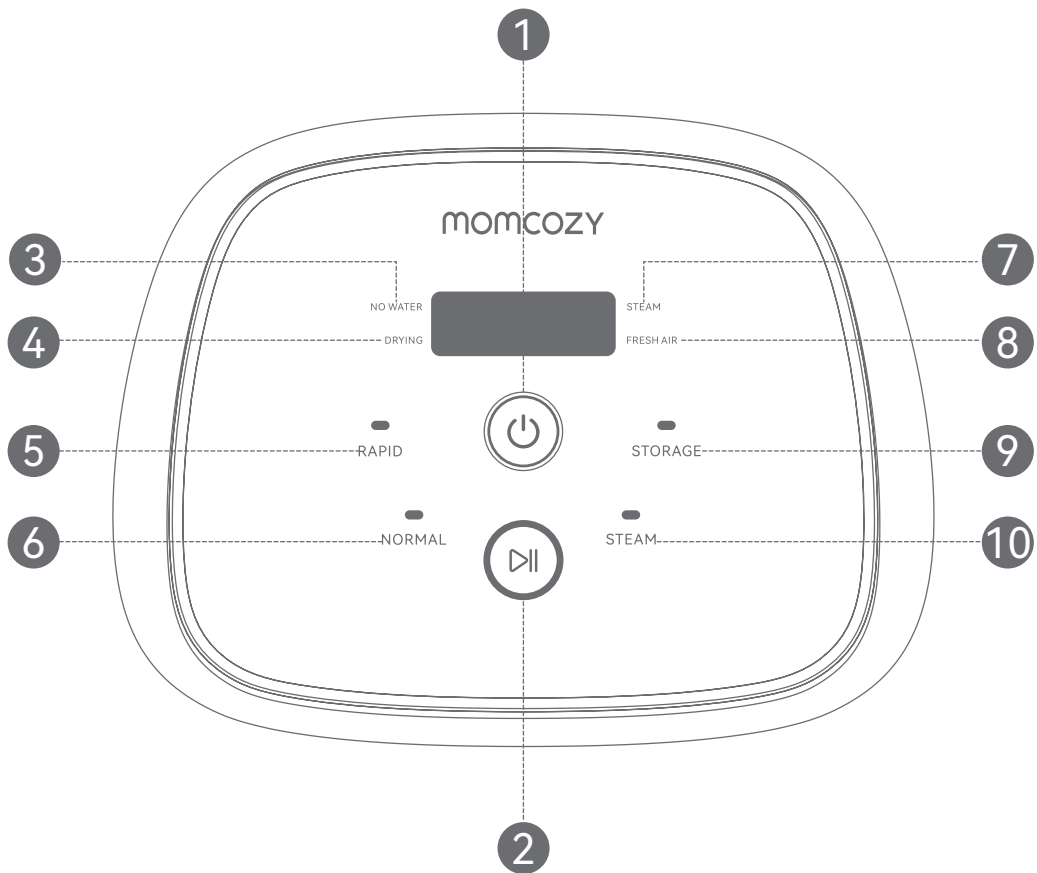
Supply cord x1

Note: The appearance and color of the product are subject to the actual object. The picture is for reference only.

Product Parameter

Product Name	Momcozy Auto Bottle Washer
Product Model	BS03
Nominal Voltage	220-240V~
Rated Power	530W
Rated Frequency	50/60Hz
Tank Capacity	2.6L (App. 87.89 Fluid Ounces)
Accommodate the Number of Bottles	4 Pieces
Net Weight	4.5kg (App. 9.92 Pounds)
Boundary Dimension	340x250x410mm (App. 13.39 x 9.84 x 16.14 Inches)
Drying Method	Hot Air Drying

Control Panel Description

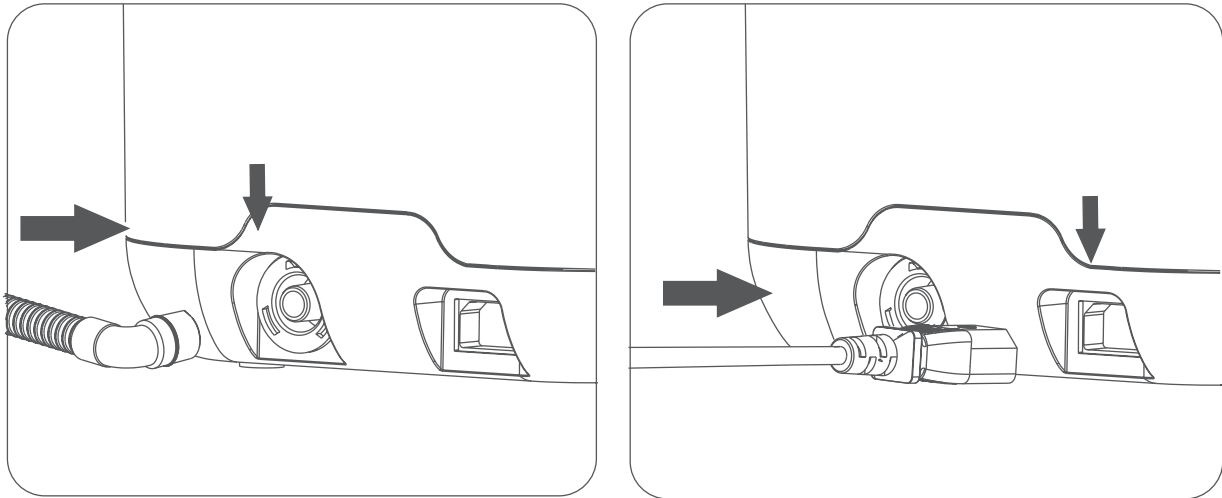


- | | |
|----------------------------|----------------------|
| ① Power button | ⑥ Normal wash button |
| ② Start/Pause | ⑦ Steam |
| ③ Water shortage indicator | ⑧ Fresh air |
| ④ Drying | ⑨ Storage |
| ⑤ Rapid wash button | ⑩ Steam |

Installation Instructions

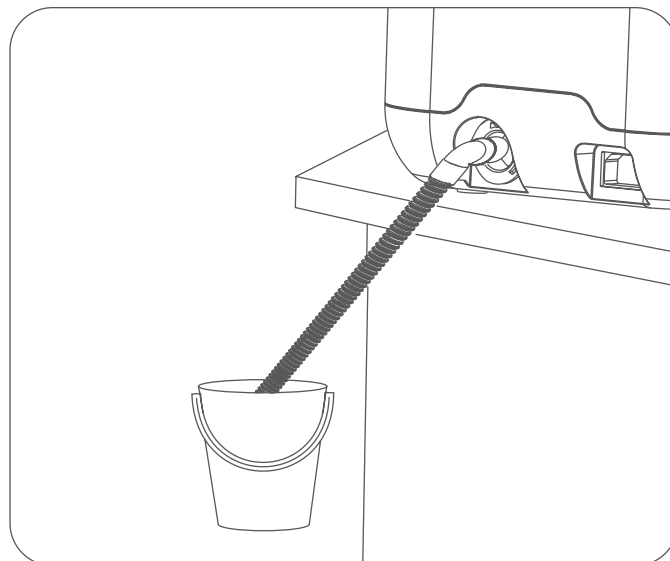
1. Installation

Remove the drain pipe and insert the interface end into the outlet pipe at the rear of the cleaning. Insert the power cord into the power cord port of the machine.



2. Connection

Place the other end of the drain pipe in a suitable drain container or sink.

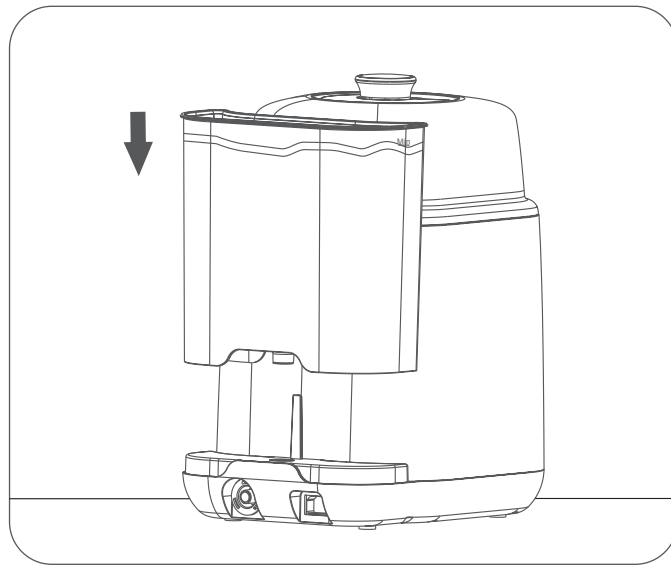


3. Add Water to the Tank

Method 1: Open the tank cover and add an appropriate amount of purified water or distilled water to the tank.

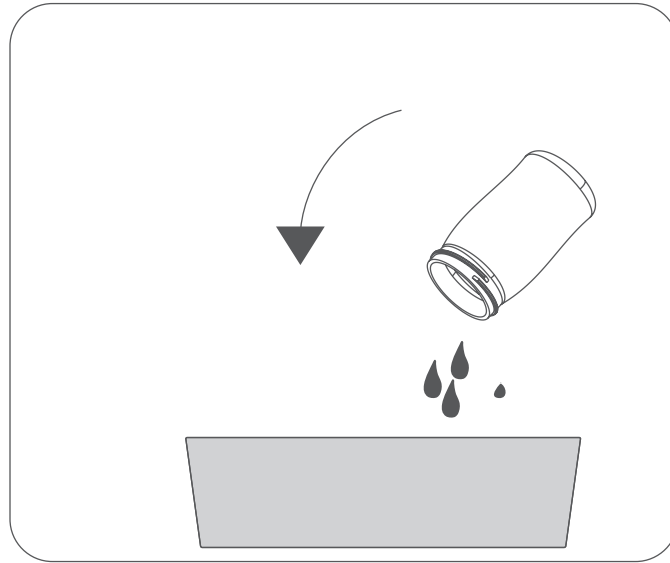
Method 2: Directly remove the water, and add an appropriate amount of washing water, and then put the water tank back.

Note: When adding water, it is recommended to fill the water up to the designated water level in the tank.

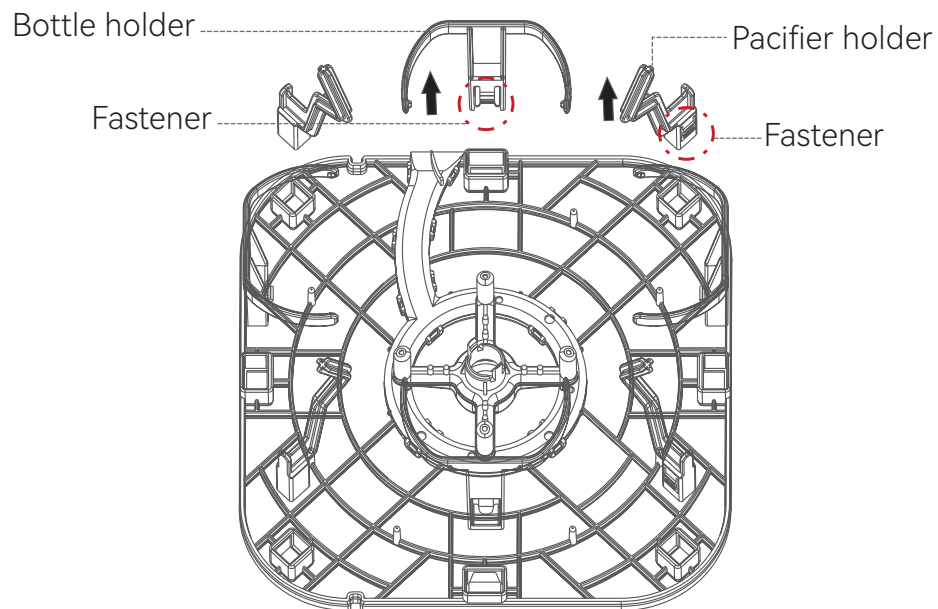


Instructions for Bottle Placement

1. Before cleaning, pour out all the milk in the bottle and then place it into the machine for cleaning to ensure optimal washing results.



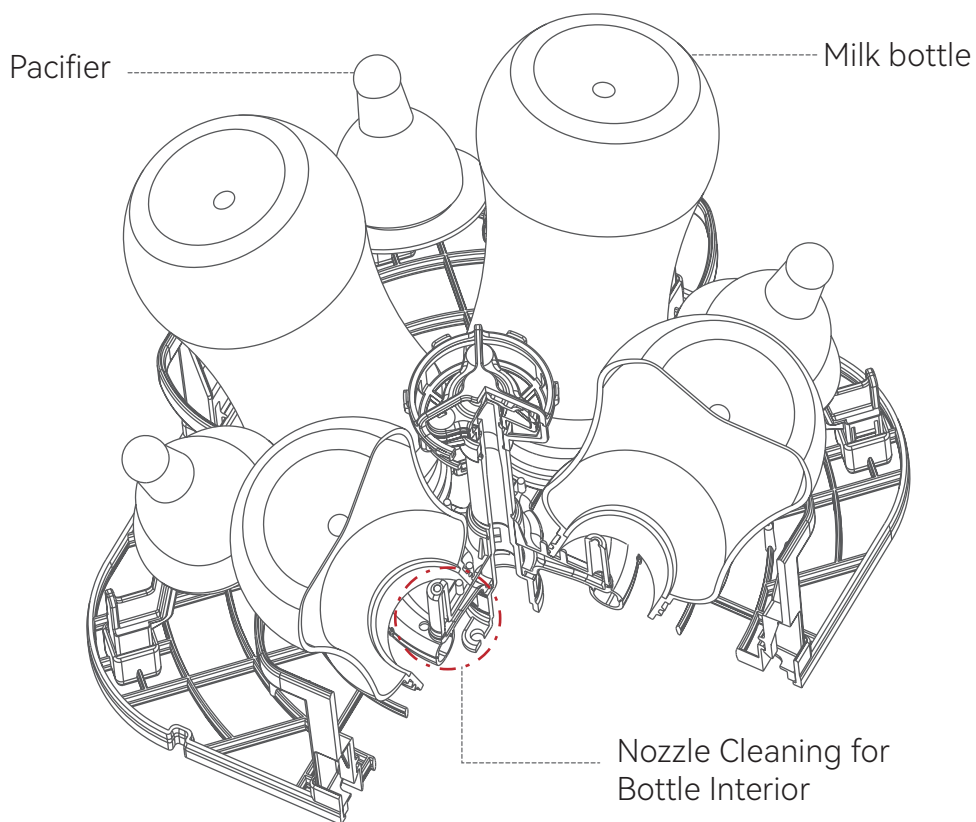
2. Press the bottle holder and nipple holder clasps as shown to remove them from the bottom shelf (if applicable).



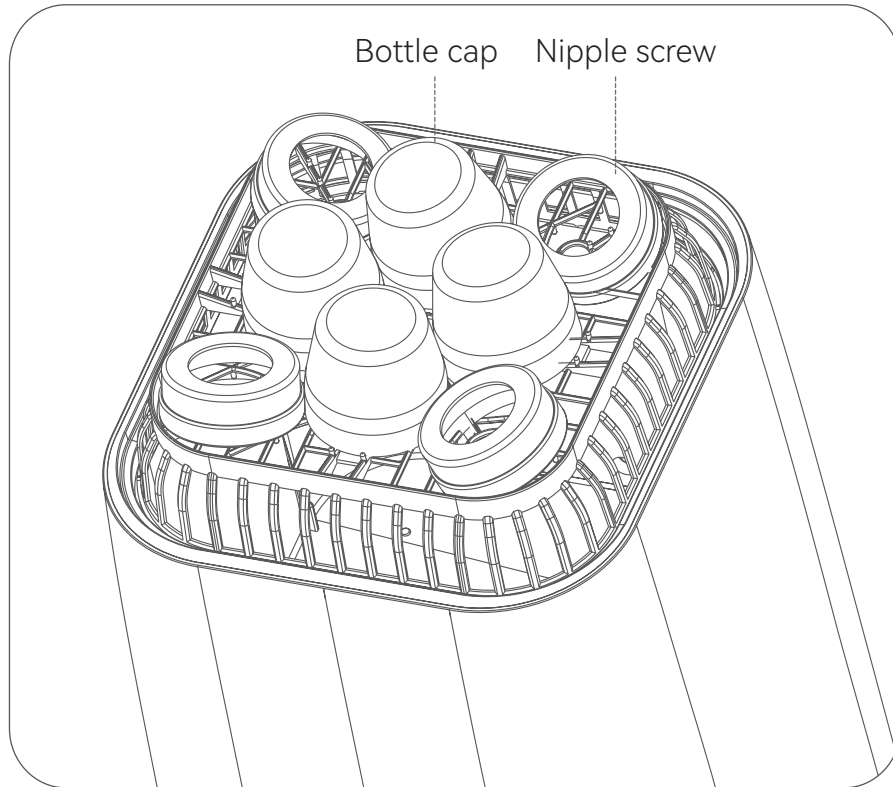
3. Refer to the standard layout diagram and arrange the parts of the milk bottle or tableware one by one.

A. Invert the mouth of the milk bottle and insert it into the cavity aligning it with the fixed spray hole on the lower shelf, so that the spray water column can fully wash the stain surface.

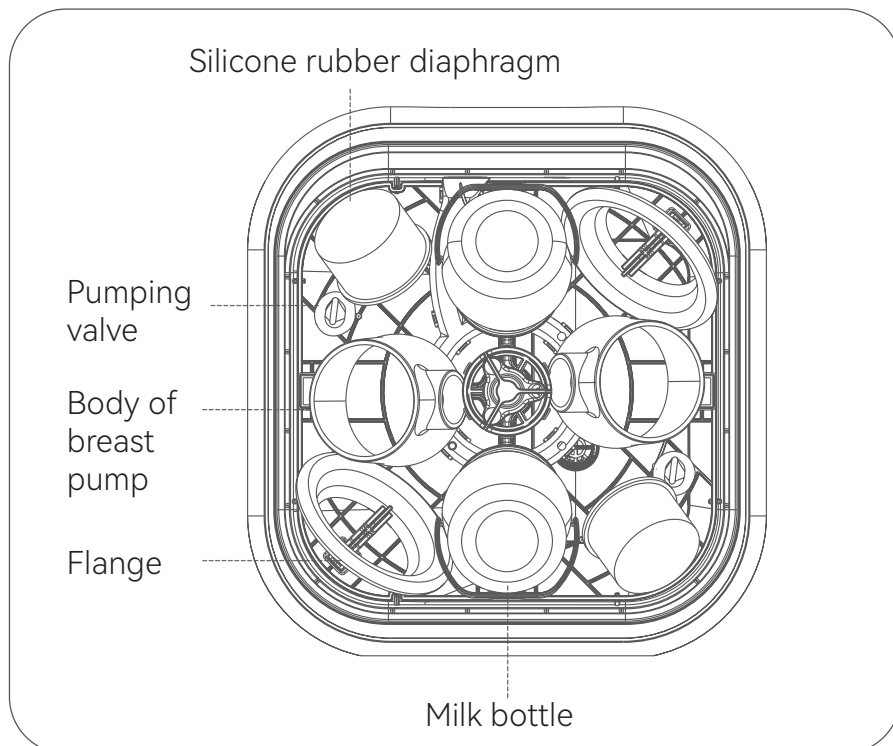
B. Pacifier: Pacifiers are placed on the four corner brackets of the lower shelf.

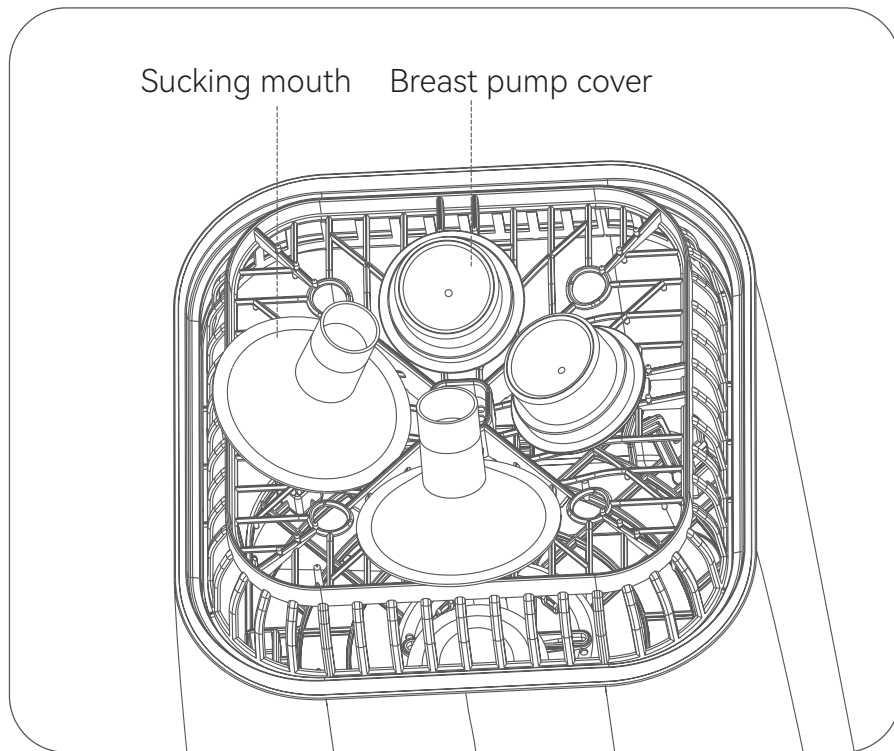


C. Place the bottle cover, screw cap on the shelf.



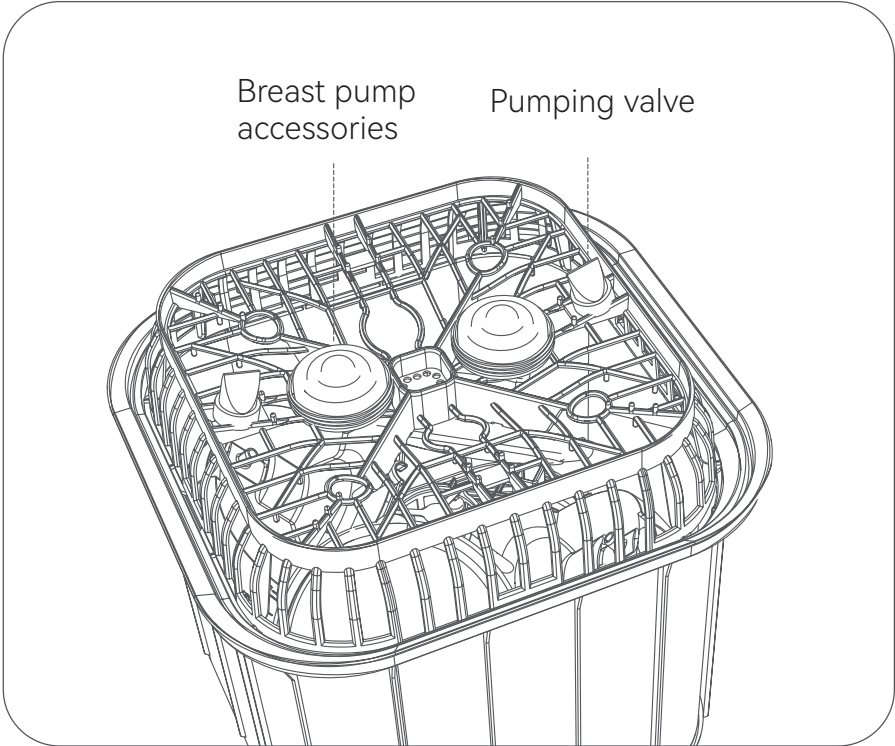
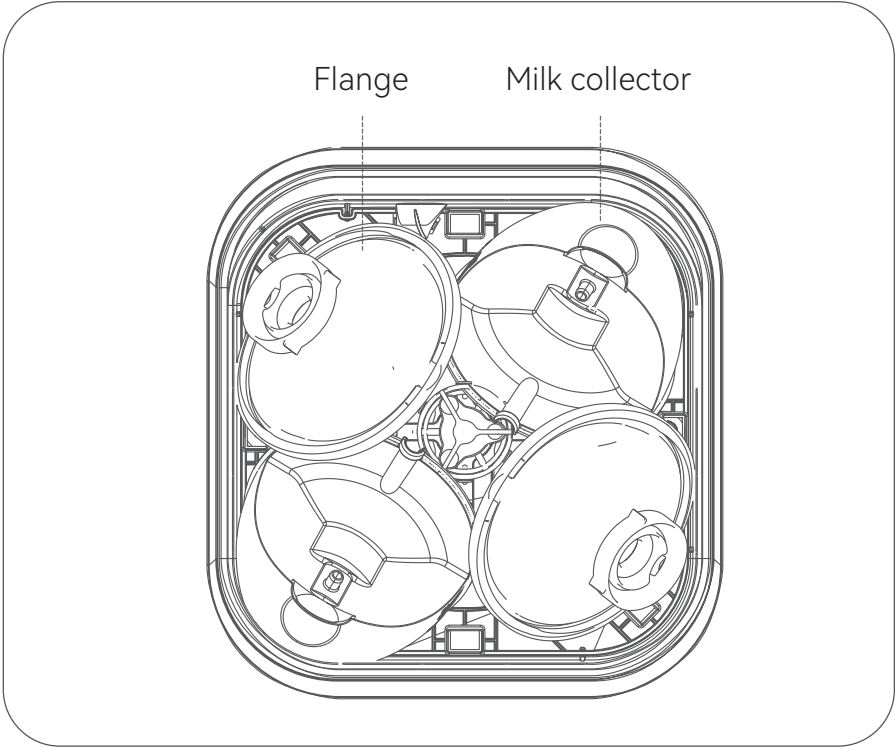
Instructions for Breast Pump Placement



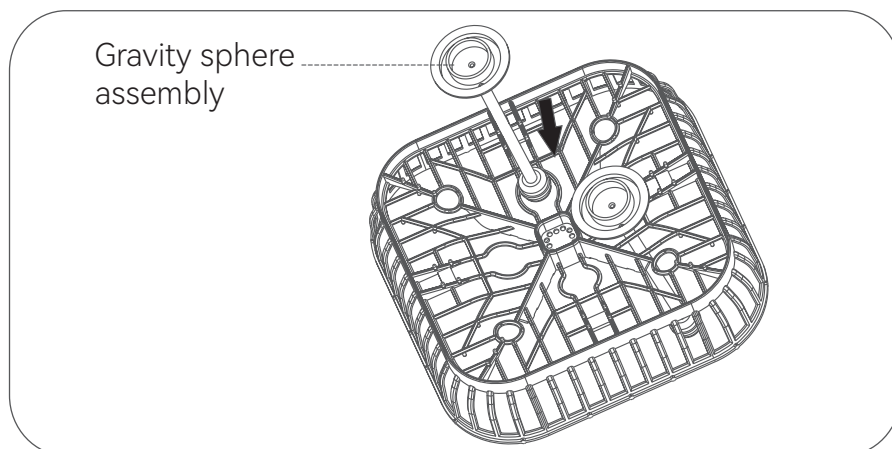
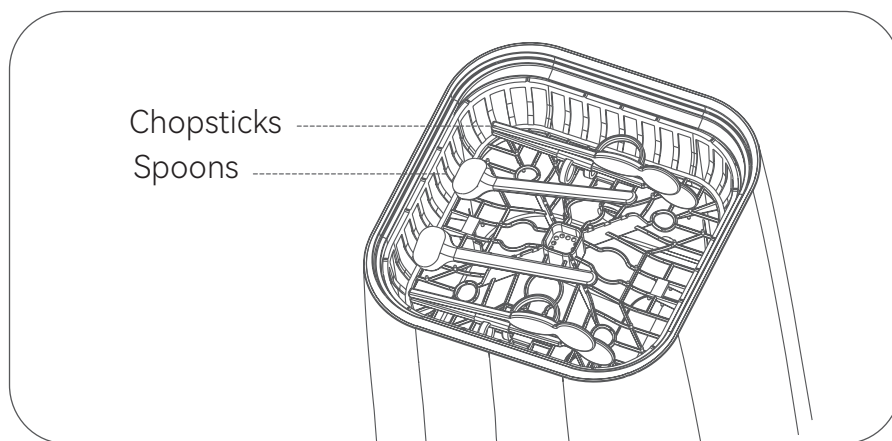
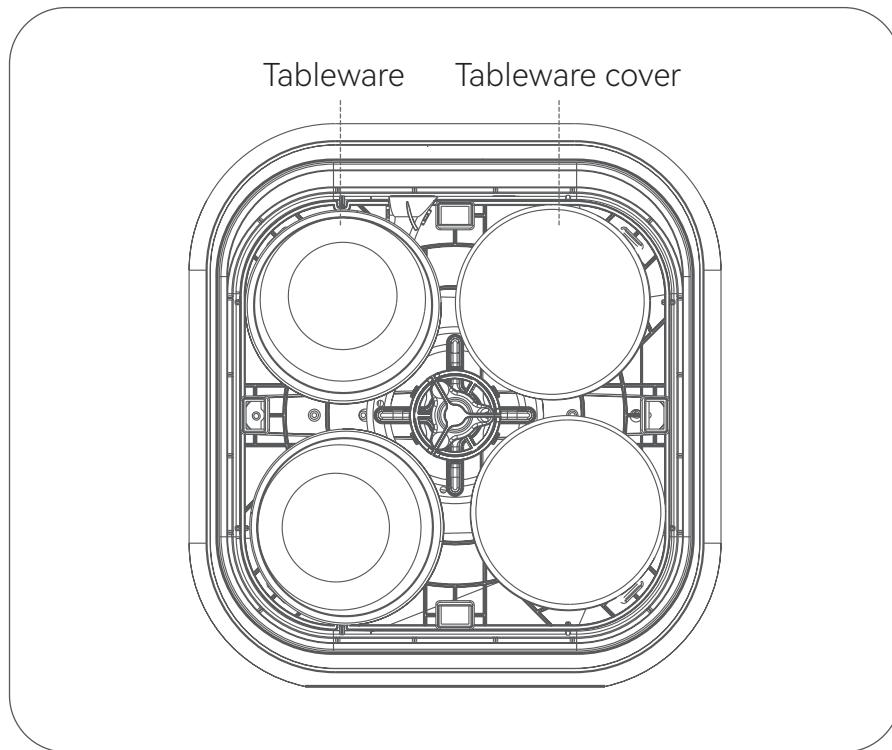


Instructions on the Placement of the Wearable Breast Pump

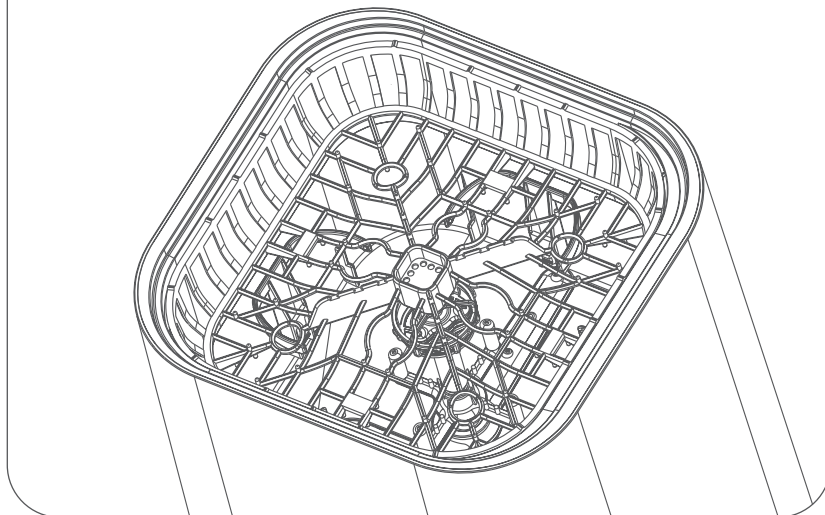




Instructions on the Placement of Children's Appliances



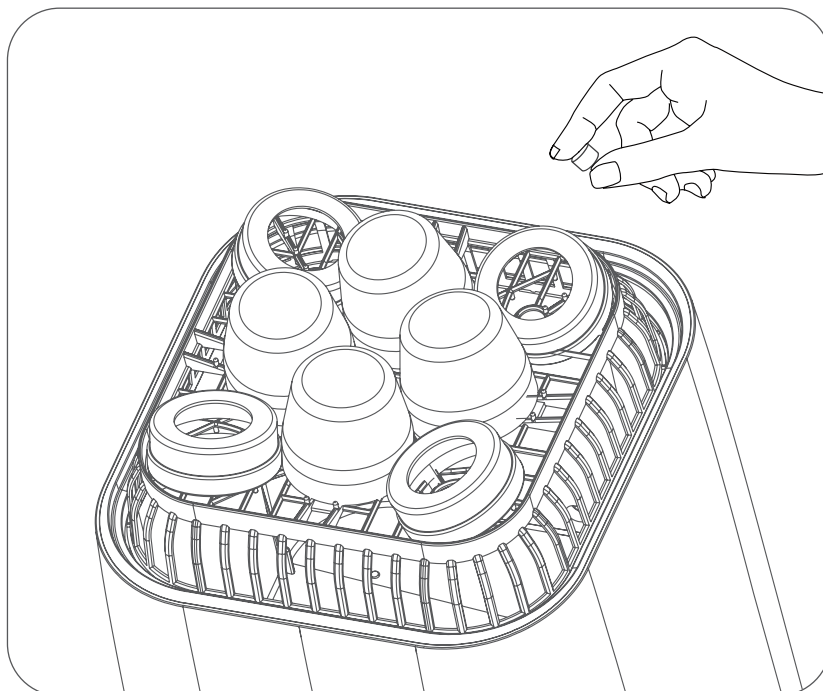
The upper shelf shown in the picture can clean tea cups, gum, toys (silicone, plastic) and other items.



Instructions for Washing Detergent Tablet

Detergent Tablet Usage:

Put 1 detergent tablet into the bottle compartment.



Precautions for Not Recommended Utensils Cleaning

Wooden ware	Wooden cutlery is generally sensitive to heat and water, which can lead to deterioration or deformation with constant washing in the dishwasher.
Bonded ware	Some adhesives may soften or dissolve when the machine is washed.
Warning	This appliance cannot clean sharp objects such as knives
Aluminium ware	Using detergents may cause tarnishing of aluminum tableware, depending on the product's quality.
Other metal ware	Iron and cast iron can rust and contaminate other utensils. Copper, lead, tin, antimony, alloys and brass are also susceptible to contamination.
Decoration	While most modern porcelain is dishwasher safe, items with patterns on the glaze, gilt lines, or hand-painted antique china are not.
Glass ware	Everyday glass dishes are generally dishwasher safe, but crystal and very fine antique glassware may become etched and become opaque.
Plastic ware	Different plastic utensils have varying heat resistance during washing and drying. Plastic utensils not resistant to high temperatures are not suitable for machine washing.

Operating Instructions

1. Arrange the equipment to be cleaned according to the operating instructions.
2. Add one Momcozy Official Washing Tablet directly into the washing cavity before starting the cycle. Use one tablet per wash for optimal cleaning performance.
3. Add an appropriate amount of water to the water tank, ensuring it does not fall below the minimum scale line .
4. Power on the machine and, press "**ON/OFF**" key to start. Select a washing program based on requirements, then press "**START**" key to begin. You can also press the "**STORAGE**" to add or cancel fresh air storage for up to 72 hours. or adjust steam by pressing "**STEAM**".
5. After drying, wait for 10 minutes before removing items due to high temperatures.



Note:

- ① To stop washing, you can press the "**POWER**" key for 3 seconds; it will stop after the automatic drainage.
- ② To pause midway and add cutlery, please press "**START**" to pause, then open the top cover.
- ③ Place the drainpipe horizontally downwards, not exceeding half the machine's height.
- ④ Avoid using cleanser essence prevent excessive foam, which may result in water leakage or failure. Use special detergent powder.
- ⑤ Do not add water directly into the washing chamber.
- ⑥ During washing or drying, the drainpipe and vent on the top cover may become very hot; avoid touching them.

Common Functions

Function	Rapid	Normal	Steam	Storage
Procedure	Hot water washing Hot water rinsing	Hot water washing Hot water rinsing	Steam	Fresh air storage
Time	19min	29min	10min	72h
Detergent Tablet	1	1	—	—
Max Temp	55°C app. 131° F	68°C app. 154.4° F	100°C app. 212° F	—
Dryness	60min	60min*	60min	—
Steam	Turn it on manually (can be turned off)	Enabled by default (Can be turned off)	Enabled by default	—
72 hours Fresh air storage	Enabled by default (Can be turned off)	Enabled by default (Can be turned off)	Enabled by default (Can be turned off)	Always on

NOTE:

The maximum temperature for sterilization storage varies with altitude.

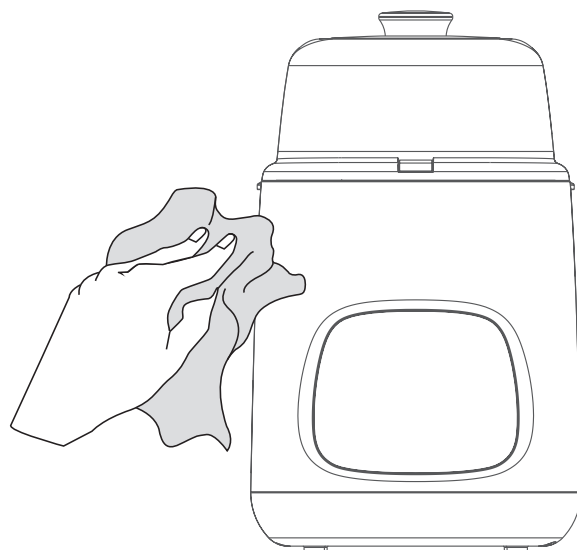
*The machine will intelligently assess the ambient temperature and extend the drying time by 0–30 minutes, based on the default drying time, to ensure efficient drying.

SERVICE INFORMATION

Maintenance and Cleaning

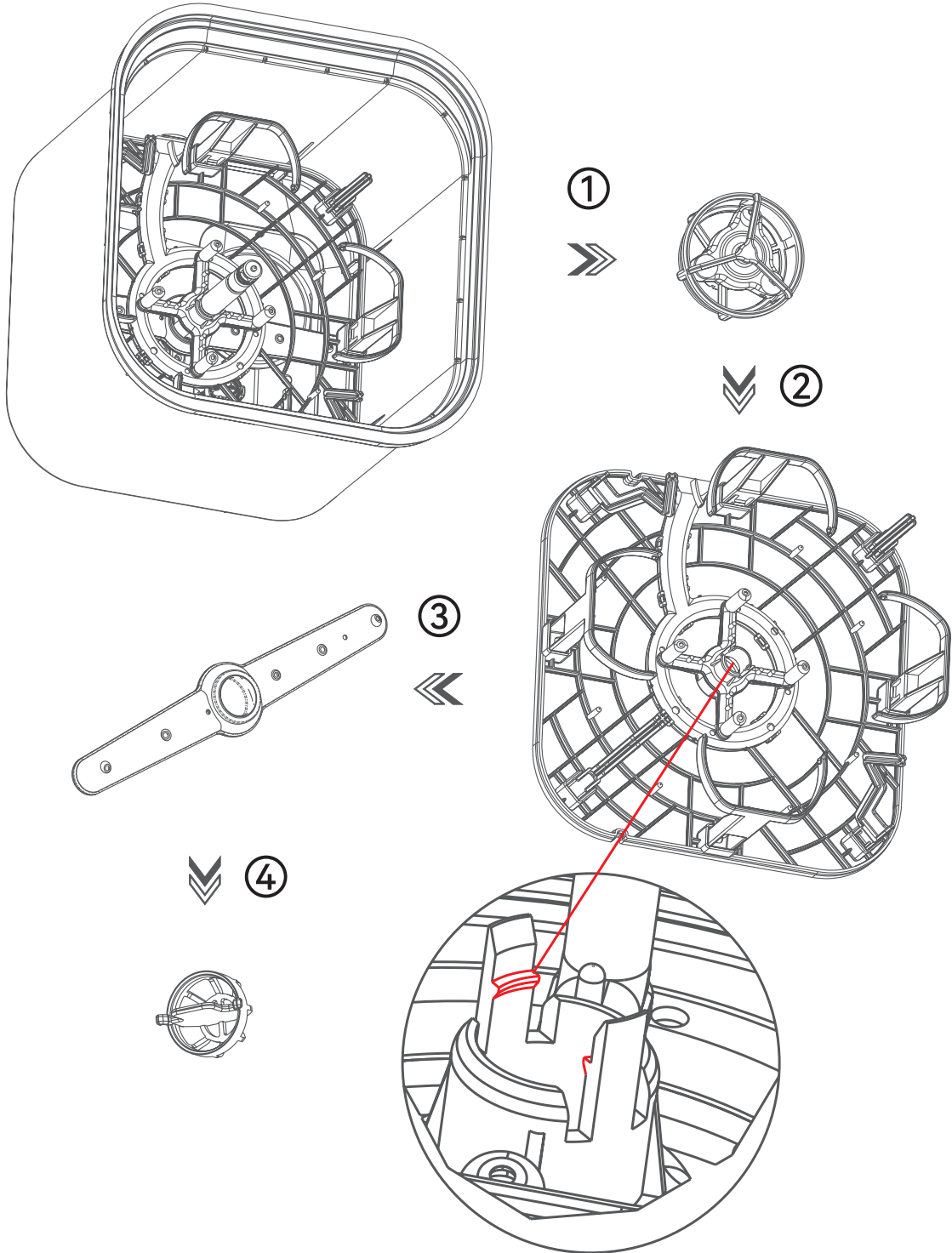
1. Appearance Cleaning

Use a piece of soft, moist cloth to scrub the box, transparent top cover, water tank and water tank cover.



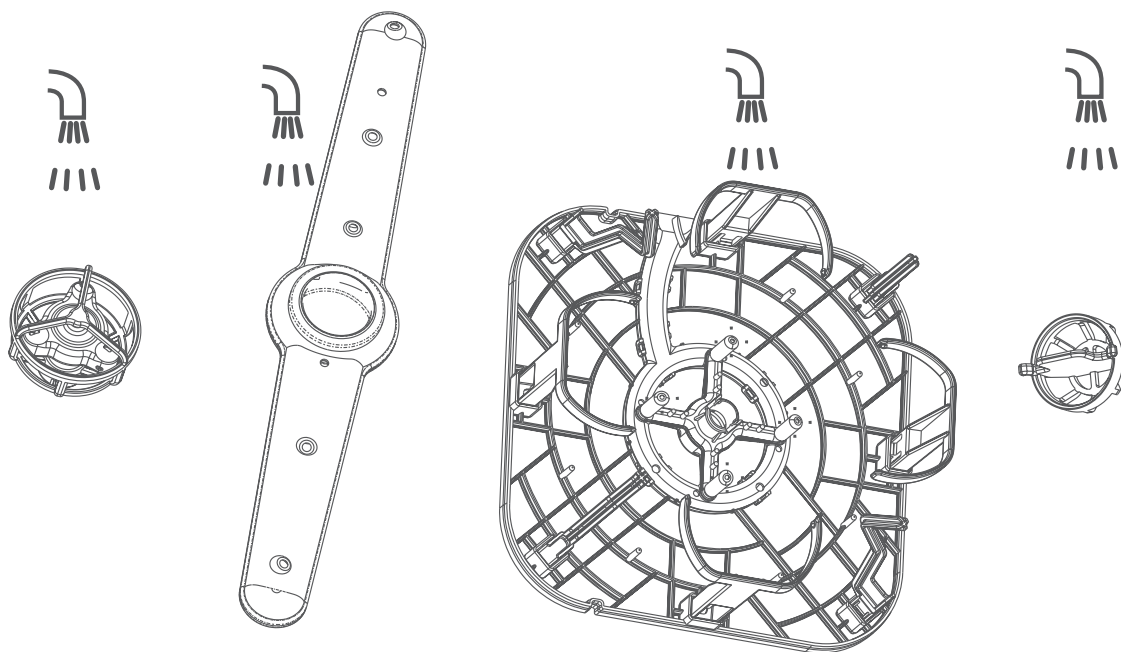
2. Clean Shelf and Spray Arm

- ① Remove the upper jet arm assembly vertically upward.
- ② Open the lower shelf clasp with appropriate force (as indicated by the straight arrow), and use both hands to lift the lower shelf assembly up during installation.
- ③ Remove the lower jet arm.
- ④ Remove the residue holder by turning slightly to the right.



3. Rinse

You can rinse the shelf, the lower spray arm, the upper spray arm, the residue cup and other parts.

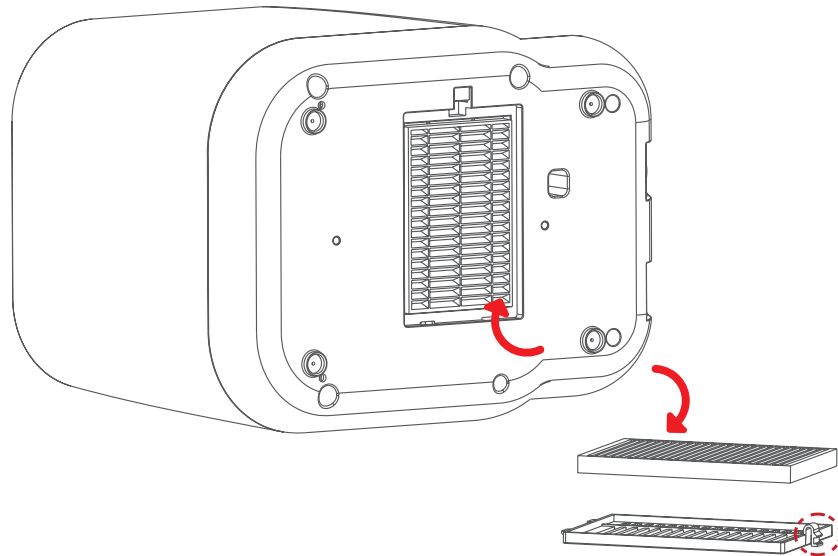


4. Install

Install the components in the reverse order of Step 2.

Air Filter Replacement Instructions

1. Place the machine on its side and open the air filter cover;
2. Remove the air filter element;
3. Replace the air filter element with a new one;
4. Lock the air filter cover.



Fault Code

Appearance	Fault Description	Solutions
“ \emptyset ” Lights flashing	Water shortage instructions	When this reminder appears, it is usually due to insufficient water in the water tank. After adding water, press the 'Start' button again, and the system can continue to fill water and operate normally.
	Repeated warnings	If there is water in the water tank but you receive multiple low water warnings and the system malfunctions, the possible causes may include a damaged diaphragm pump or a damaged flow meter. Please contact the after-sales personnel to perform the checks mentioned above.
Show “E4”	Temperature sensor error	Restart the machine after unplugging the power. If the same phenomenon occurs during the process, contact after-sales personnel to check the machine's temperature sensor.

Show "E5"	Communication failure	Restart the machine after unplugging the power. If the same issue during the process, persists contact the after-sales personnel. Check whether the control board socket is properly plugged in.
Show "E6"	Heat error	Restart the machine after unplugging the power. If the same issue occurs during the process, contact the after-sales personnel and check whether the heating element is properly inserted.

Troubleshooting

Appearance	Fault Description	Solutions
There's foam in the washing tank	Incorrect use of detergent	<ol style="list-style-type: none"> 1. Use a dedicated detergent for washing. 2. Open the machine and allow the foam to dissipate. 3. Add 1L of water and run any program for about 1-2 minutes before stopping to drain the water. Repeat this process until the foam is completely removed.
The machine makes a crash or rattle	The spray arm touches the appliance	When placing items, ensure they are correctly positioned and secured.
	Lighter cutlery shakes slightly	Normal phenomenon; check if there are any important items not properly secured.

The utensils for steaming egg custard have residue	Protein denaturation adhering to the utensils.	It is recommended to hand wash this type of tableware or manually supplement the cleaning after machine washing.
The inner wall is moist after the procedure	After the procedure, water droplets remain on the inner wall	It is a normal phenomenon, not a machine failure. If the machine is not used for a long time, it is recommended to run the dry storage program.
The bottle assembly is not dry	Chose the wrong program	You can choose other program.
	The program is not finished	Waiting for the program to finish.
Discoloration of plastic baby bottle accessories	Excessively high washing temperature	Choose a program with a lower temperature.
Washing powder residue	The water flow is blocked, preventing the detergent from rinsing away	Place utensils correctly to ensure they do not obstruct the rotation of spray arms or block the detergent.
	Expiration of washing powder	Change the washing powder.

The utensils are not being cleaned thoroughly.	The utensils are not arranged correctly.	Refer to 'Utensil Placement' to ensure proper spacing between utensils, allowing water to wash them effectively.
	The spray arm is not rotating smoothly.	Ensure that no fallen utensils obstruct the spray arms.
	The spray arm nozzles are blocked.	Clean the spray arm.
	The filter mesh is dirty.	Clean the filter mesh.
	The filter is incorrectly installed.	Install the filter correctly.
	Choosing inappropriate procedures	Refer to "Common Functions" to select the appropriate program.
	Lack of washing powder	Add the proper amount of washing powder according to "Common Functions".
	Water stains issue	If the tap water is relatively hard, water stains may appear on the baby bottles after washing. This is harmless to health. If using purified water, this phenomenon is likely to disappear.

The machine does not start	Water tank is not filled	Continue adding water until the water shortage indicator goes off.
	Cover is not closed in place	Check the machine cover to see if it is in contact with any other objects. Remove any obstacles.
The machine cannot be programmed	Program is running	Terminate the current program or choose a new program after the current one completes.

WARNING:

Knives and other utensils with sharp points must be loaded in the basket with their points down or placed in a horizontal position.

Disposal



At the end of the product life cycle, do not throw this product into the normal household garbage, but bring it to a collection point for the recycling of electronic equipment and battery. Waste Electrical and Electronic Equipment may have potentially harmful effects on the environment. Improper disposal may lead to the accumulation of harmful toxins in air, water and soil, which is harmful to human health. You have an obligation to dispose of the device correctly. Consult your municipal authority for information about disposal.

1. The maximum number of place settings to be washed is 4 sets of baby bottles.
2. This appliance is intended to be used in household and similar applications such as :

- Staff kitchen areas in shops, offices and other working environments;
- Farm houses;
- By clients in hotels, motels and other residential type environments;
- bed and breakfast type environments.

3.The openings must not be obstructed by a carpet.

4.This appliance can be used by children aged from 8 years and above and persons with reduced physical, sensory or mental capabilities or lack of experience and knowledge if they have been given supervision or instruction concerning use of the appliance in a safe way andl understand the hazards involved. Children shall not play with the appliance. Cleaning and user maintenance shall not be made by children without supervision.

DECLARATION OF CONFORMITY

EU Compliance Statement: Hong Kong Lute Technology Co., Limited. hereby declares that this device is in compliance with the essential requirements and other relevant provisions of the LVD Directive 2014/35/EU and EMC Directive 2014/30/EU.

Manufacturer Information:

Manufacturer: Hong Kong Lute Technology Co., Limited

Address: Room 02, 21/F, Hip Kwan Commercial Building, 38 Pitt Street, Yau Ma Tei, Kowloon, Hongkong

E-mail: support@momcozy.com

MADE IN CHINA

