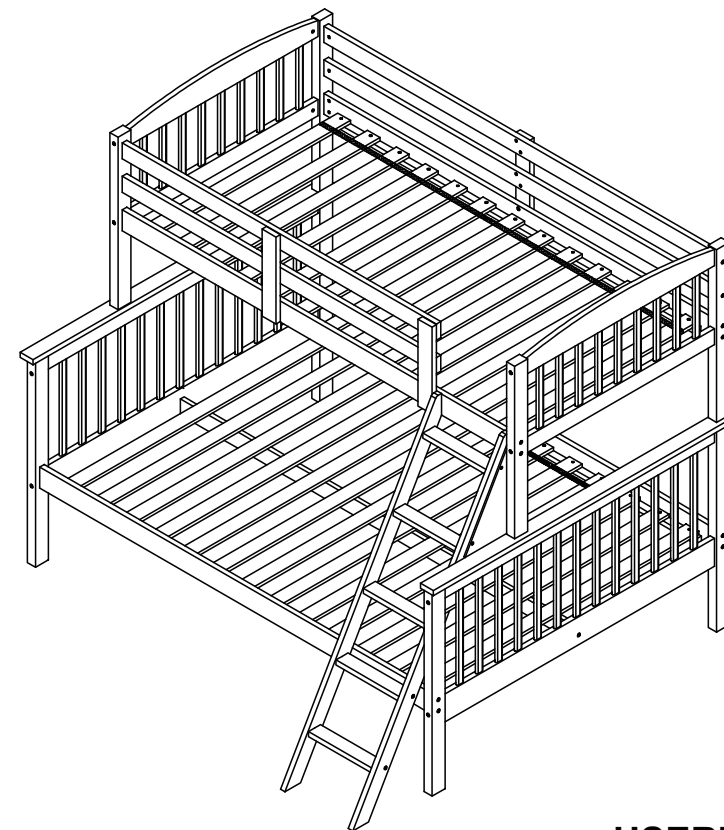


**COSTWAY**<sup>®</sup>



**USER'S MANUAL**  
**TWIN FULL BUNK BED**  
**HW66473**

THIS INSTRUCTION BOOKLET CONTAINS **IMPORTANT** SAFETY INFORMATION. PLEASE READ AND KEEP FOR FUTURE REFERENCE.

**Please give us a chance to make it right and do better!**

Contact our friendly customer service department for help first.

Replacements for missing or damaged parts will be shipped ASAP!

**Follow Costway**

Visit us: [www.costway.com](http://www.costway.com)



# Contact Us!

## Do NOT return this item.

Contact our friendly customer service department for help first.



# Before You Start

- ⚠ Please read all instructions carefully.
- ⚠ Retain instructions for future reference.
- ⚠ Separate and count all parts and hardware.
- ⚠ Read through each step carefully and follow the proper order.
- ⚠ We recommend that, where possible, all items are assembled near to the area in which they will be placed in use, to avoid moving the product unnecessarily once assembled.
- ⚠ Always place the product on a flat, steady and stable surface.
- ⚠ Keep all small parts and packaging materials for this product away from babies and children as they potentially pose a serious choking hazard.



# SAFETY WARNING

Read all instructions carefully before assembling this product.

1. Follow the information on the warnings appearing on the upper bunk end structure and on the carton. Do not remove warning label from bed.
2. Always use the recommended size mattress or mattress support, or both, to help prevent the likelihood of entrapment or falls.
3. Surface of mattress must be at least 5 in. (127 mm) below the upper edge of guardrails.
4. Do not allow children under 6 years of age to use the upper bunk.
5. Periodically check and ensure that the guardrail, ladder, and other components are in their proper position, free from damage, and that all connectors are tight.
6. Do not allow horseplay on or under the bed and prohibit jumping on the bed.
7. Prohibit more than one person on upper bunk.
8. Always use the ladder for entering and leaving the upper bunk.
9. Do not use substitute parts. Contact the manufacturer or dealer for replacement parts.
10. Use of a night light may provide added safety precaution for a child using the upper bunk.
11. Always use guardrails on both long sides of the upper bunk. If the bunk bed will be placed next to the wall, the guardrail that runs the full length of the bed should be placed against the wall to prevent entrapment between the bed and wall.
12. The use of water or sleep flotation mattresses is prohibited.
13. **STRANGULATION HAZARD**-Never attach or hang items to any part of the bunk bed that are not designed for use with the bed; for example, but not limited to hooks, belts and jump ropes.
14. Keep these instructions for future reference.

### SIZE OF MATTRESS AND FOUNDATION:

- Use a mattress which is 38" - 38 1/2" wide and 74"-75" long on upper bunk (twin size.)
- Ensure that the thickness of the mattress does not exceed 7" and that the mattress surface is at least 5" (127mm) below the upper edge of the guardrails.
- Use a mattress which is 53 1/2" - 54" wide and 74"-75" long on lower bunk (full size.)
- Ensure that the thickness of the mattress on lower bunk is at least 8" and does not exceed 11".

### WARNING:

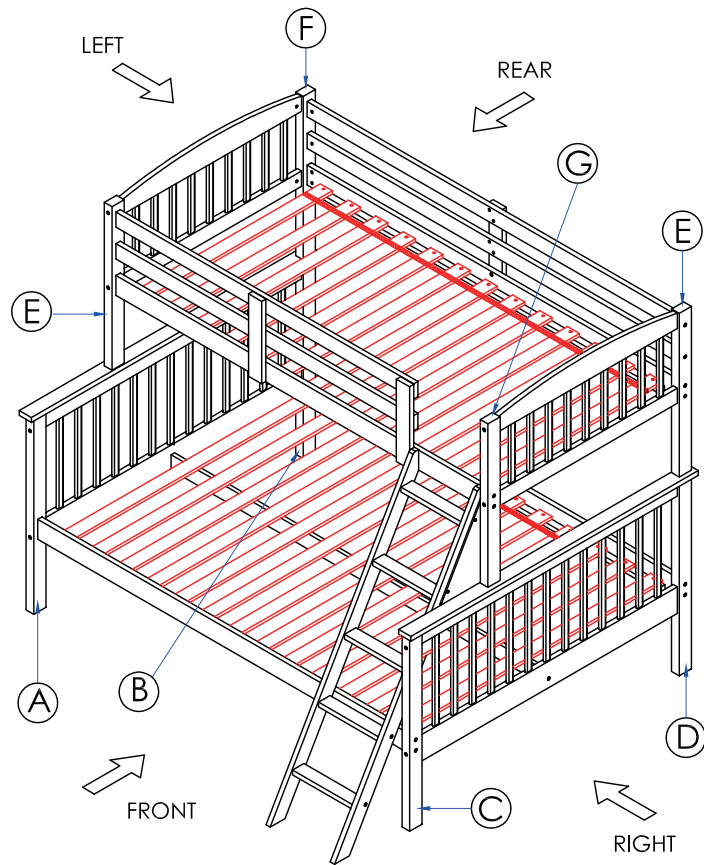
**Adult Assembly Required.** This package contains small parts. Keep away from children.

### Replacement Parts:

Replacement parts may be obtained from your GOPLUS CROP dealer.

### IMPORTANT: ALL CONNECTIONS MUST BE TIGHTENED PROPERLY

Distributed by :  
GOPLUS CORP  
11250 Poplar Ave,  
Fontana, CA 92237



**ASSEMBLY TIPS**

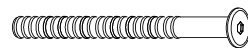

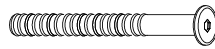

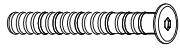
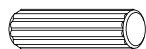

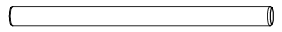
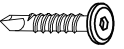


1. Remove hardware from box and sort by size.
2. Please check to see that all hardware and parts are present prior start of assembly.
3. Please follow attached instructions in the same sequence as numbered to assure fast and easy assembly.



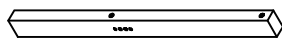
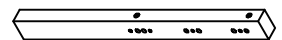
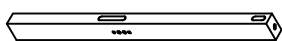



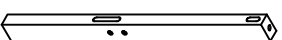
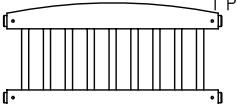
**Warning !**

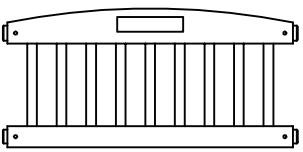
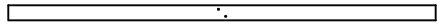
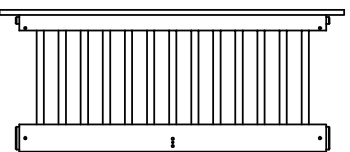
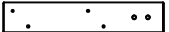
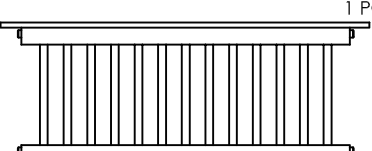
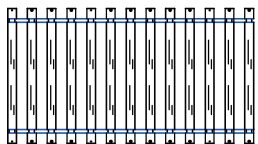
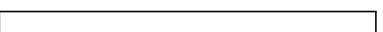
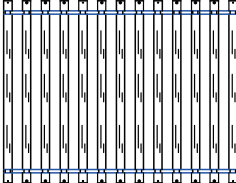
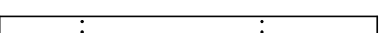
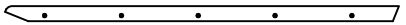
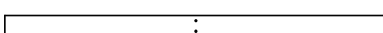
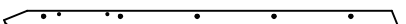
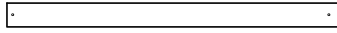

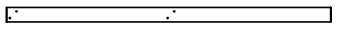

1. Don't attempt to repair or modify parts that are broken or defective. Please contact the store immediately.
2. This product is for home use only and not intended for commercial establishments.

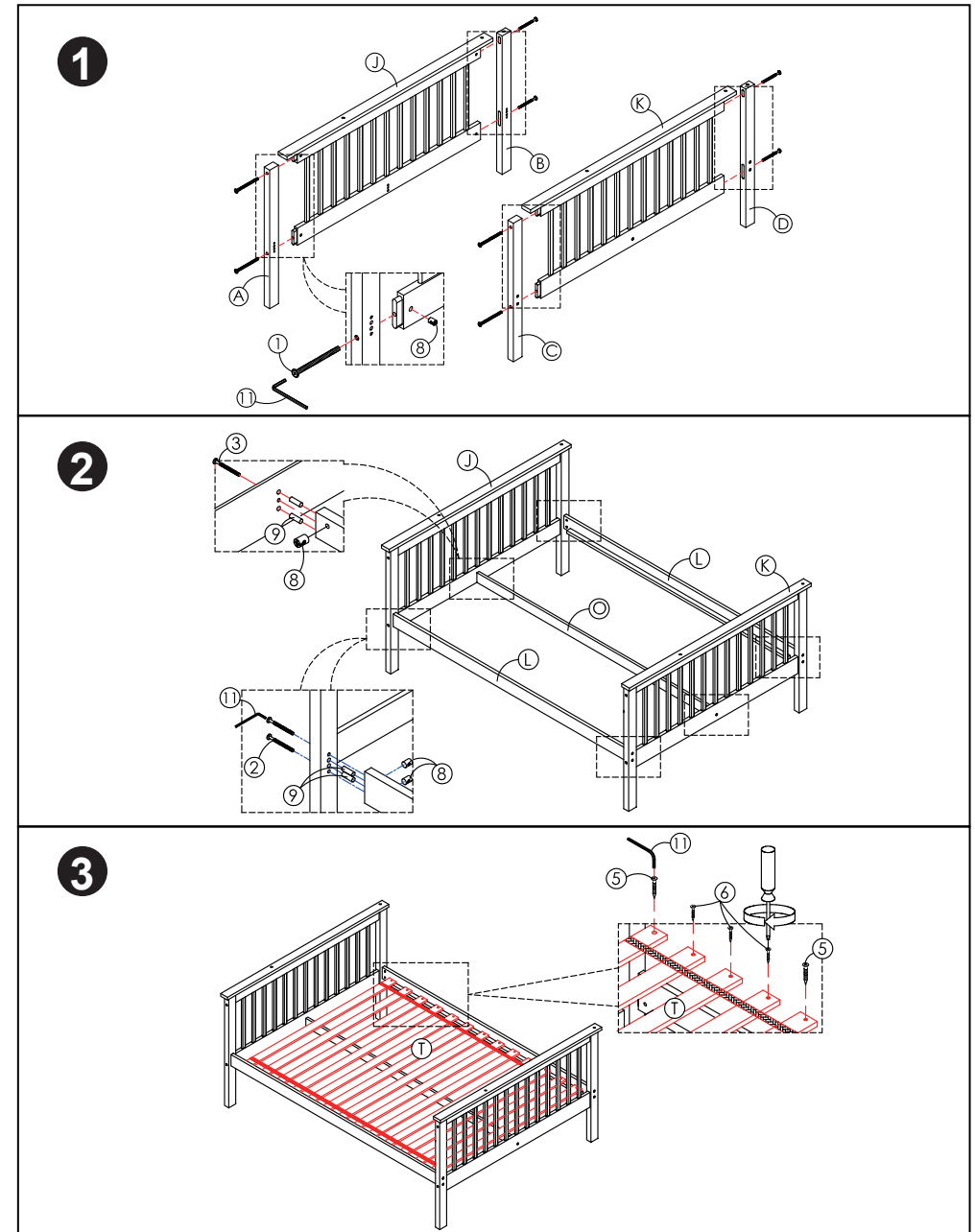
**HARDWARE LIST**

1	 16 PCS	7	 4 PCS
2	 22 PCS	8	 50 PCS
3	 12 PCS	9	 42 PCS
4	 6 PCS	10	 4PCS
5	 16 PCS	11	 1PC
6	 48 PCS		

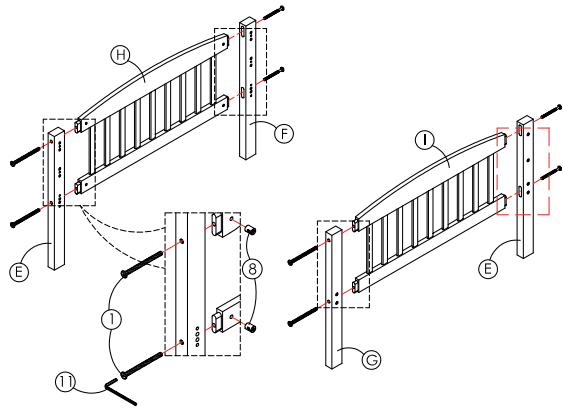
**COMPONENT LIST**

A	 1 PC	E	 2 PCS
B	 1 PC	F	 1 PC
C	 1 PC	G	 1 PC
D	 1 PC	H	 1 PC

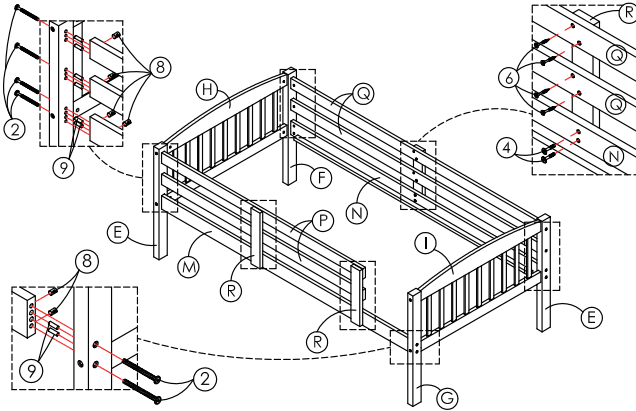
COMPONENT LIST			
I	 1 PC UPPER FOOTBOARD FRAME WITH STICKER	Q	 2 PCS REAR GUARD RAIL
J	 1 PC LOWER FRAME (LEFT)	R	 3 PCS GUARD RAIL SUPPORT
K	 1 PC LOWER FRAME (RIGHT)	S	 1 SET UPPER SLAT
L	 2 PCS SIDE RAIL (LOWER)	T	 1 SET LOWER SLAT
M	 1 PC SIDE RAIL (UPPER-FRONT)	U	 1 PC LEFT LADDER RAIL
N	 1 PC SIDE RAIL (UPPER-REAR)	V	 1 PC RIGHT LADDER RAIL
O	 1 PC CENTER RAIL	W	 5 PCS LADDER STRETCHER
P	 2 PCS FRONT GUARD RAIL	X	 1 PC TRIANGLE PANEL



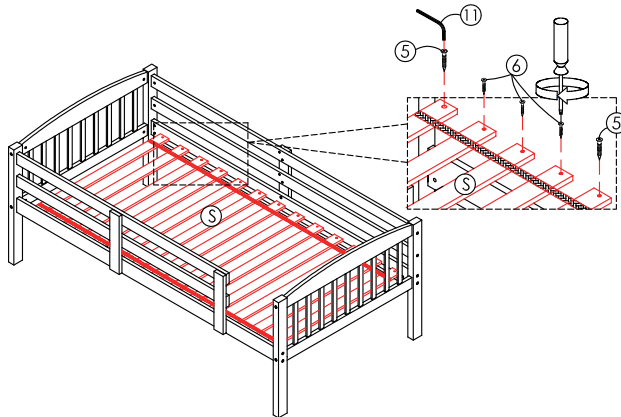
**4**



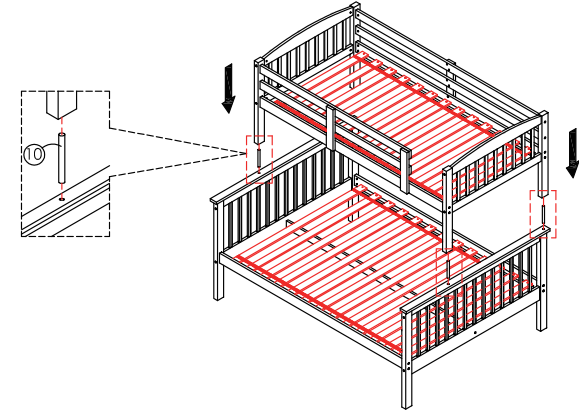
**5**



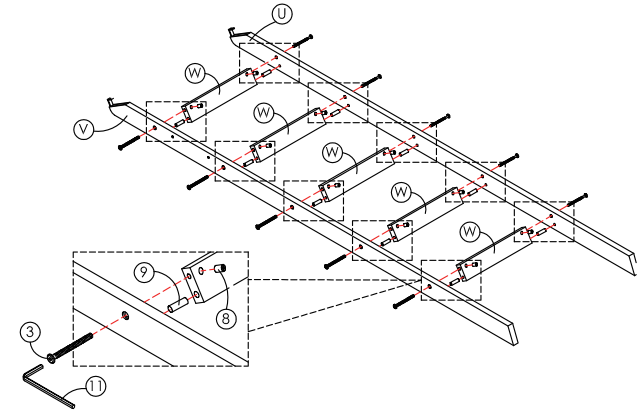
**6**



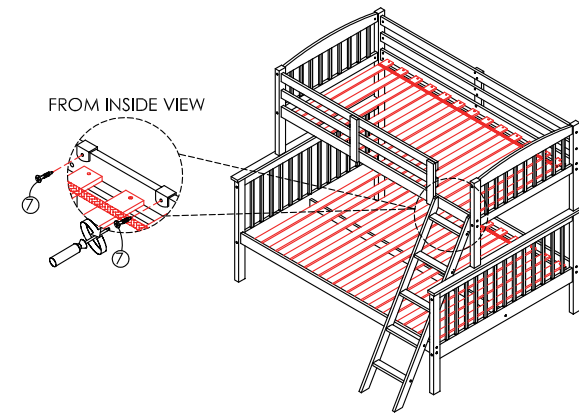
**7**



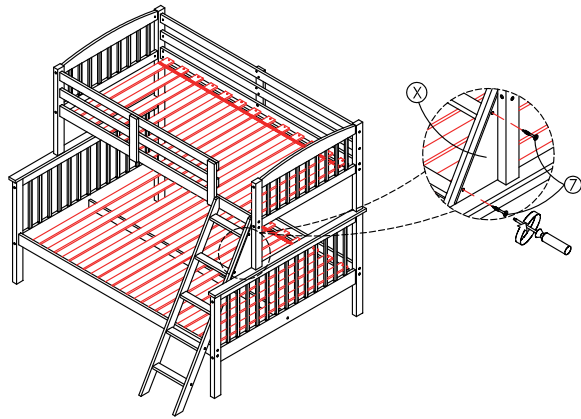
**8**



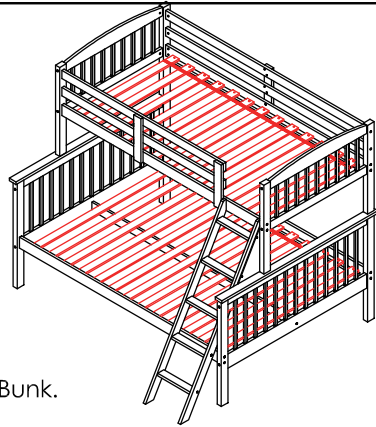
**9**



**10**

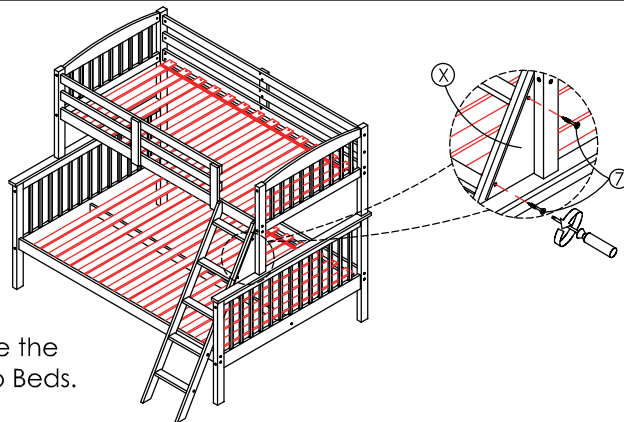


**11**



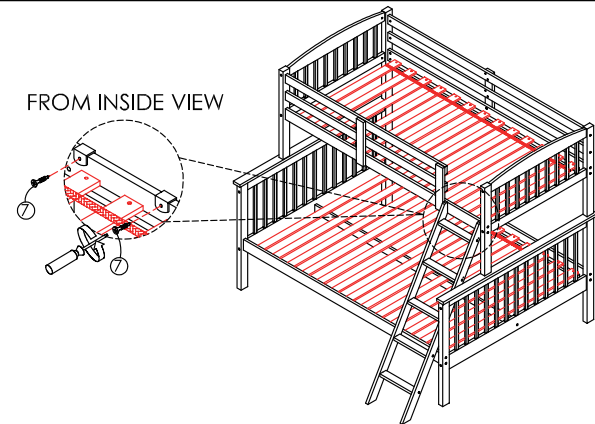
Complete Assembly For Twin Full Bunk.

**12**

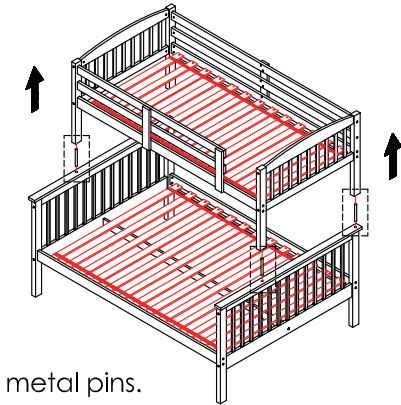


Instructions to change the  
Twin Full Bunk into Two Beds.

**13**

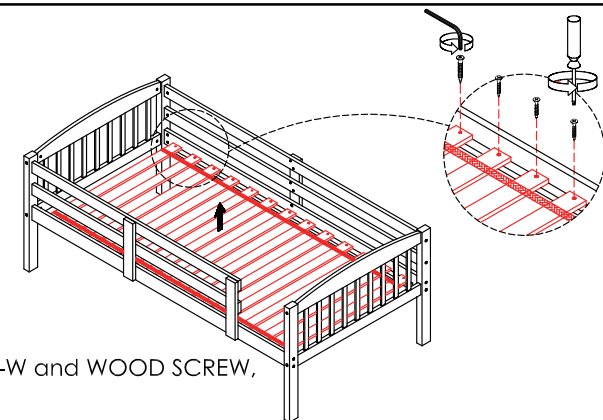


**14**



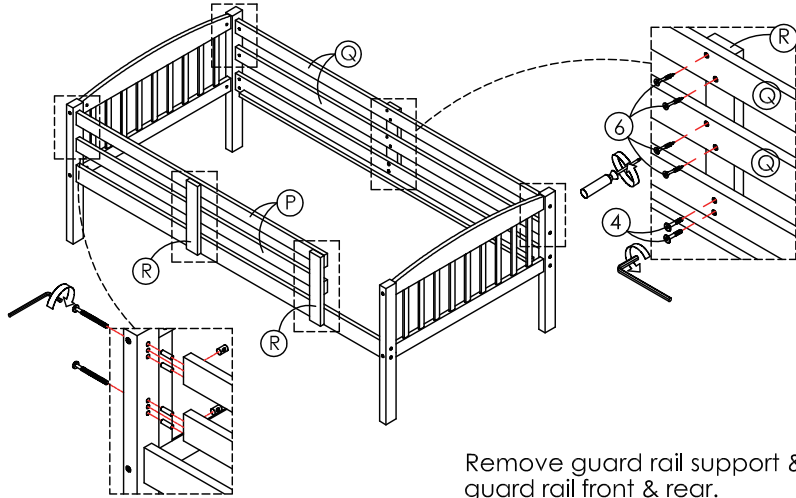
Lift the upper bed and remove metal pins.

**15**



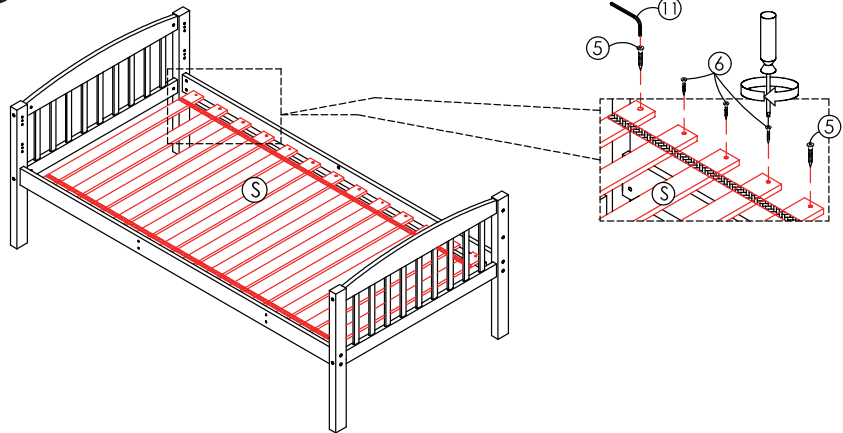
Unscrew the JCBC-W and WOOD SCREW,  
then lift the slat.

**16**



Remove guard rail support & guard rail front & rear.

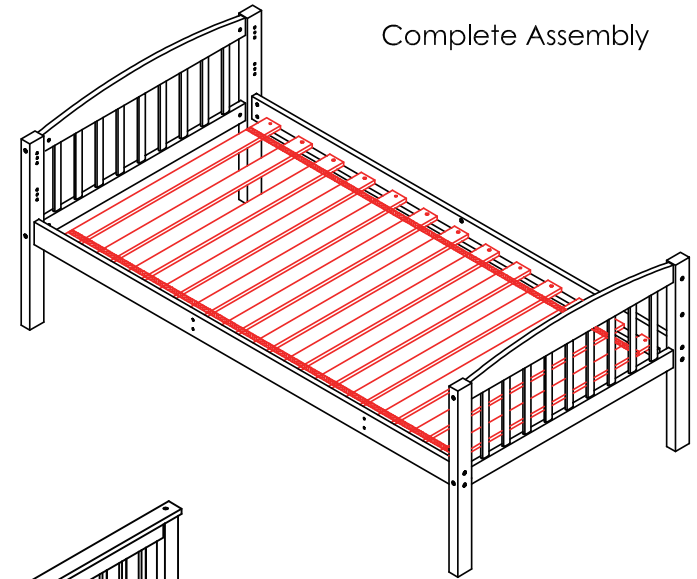
**17**



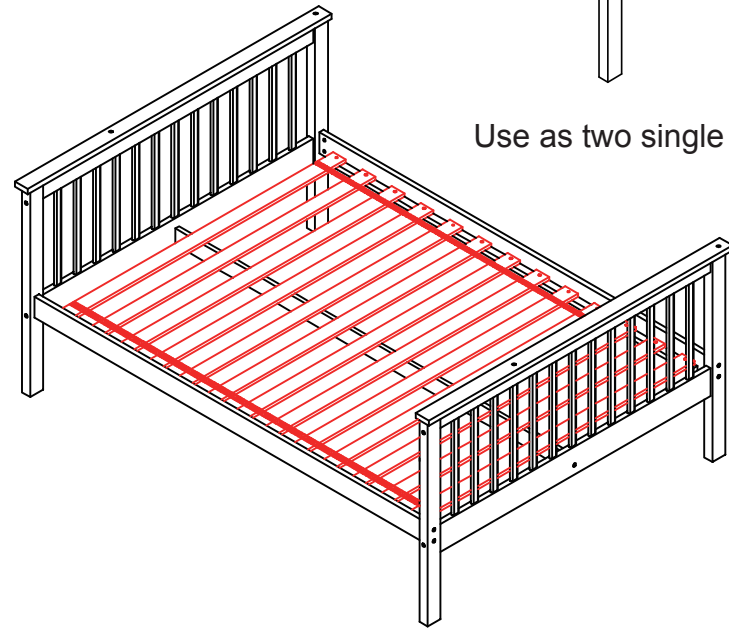
Tighten slat with JCBC-W and WOOD SCREW as shown in picture.

**18**

Complete Assembly



Use as two single beds



## Welcome to visit our website and purchase our quality products!

Your suggestions and comments for COSTWAY are really important to us!  
We sincerely solicit you to go back to our shop and leave a good rating in just a simple click. It would be quite encouraging if you could kindly do so like below:

★★★★★ Great products so far

February 24, 2019

Great products so far. Fast delivery, easy setup, and working without any issues.

With your inspiring rating, COSTWAY will be more consistent to offer you  
**EASY SHOPPING EXPERIENCE, GOOD PRODUCTS and EFFICIENT SERVICE!**

US office: Fontana, California

UK office: Ipswich



- \* Reward Points
- \* Exclusive Customer Service
- \* Personalized Recommendations
- \* Permanent Shopping Cart
- \* Order History

## 5 Star Rating



We would like to extend our heartfelt thanks to  
all of our customers for taking time to assemble  
this product and giving us valuable feedbacks.

