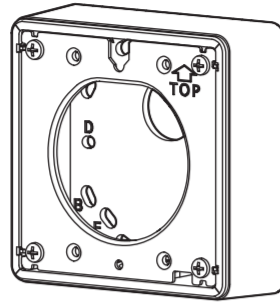


## Operating Instructions

Included Installation Instructions

### Adapter Box

Model No. **WV-QJB500-W**  
**WV-QJB500-S**  
**WV-QJB500-G**



- Before attempting to connect or install this product, please read these instructions carefully and save this manual for future use.
- The external appearance and other parts shown in this manual may differ from the actual product within the scope that will not interfere with normal use due to improvement of the product.

**i-PRO Co., Ltd. assumes no responsibility for injuries or property damage resulting from failures arising out of improper installation or operation inconsistent with this documentation.**

For U.S. and Canada:

i-PRO Americas Inc.

For Europe and other countries:

i-PRO EMEA B.V.

<https://www.i-pro.com/>

© i-PRO Co., Ltd. 2022

\* PGQX2381YA \*  
 Ns0520-1042  
 Printed in China

### Caution:

- Before attempting to connect or operate this product, please read these instructions carefully.

### Notice:

- This product is not suitable for use in locations where children are likely to be present.
- Do not install this product in locations where ordinary persons can easily reach.
- For information about screws and brackets required for installation, refer to the corresponding section of this document.

## Precautions

- **Do not use this bracket except with suitable cameras.** Failure to observe this may cause a drop resulting in injury or accidents.
- **Refer installation work to the dealer.** Installation work requires technique and experience. Failure to observe this may cause fire, electric shock, injury, or damage to the product. Be sure to consult the dealer.
- **Install the product securely on a wall or a ceiling in accordance with the installation instructions.** Failure to observe this may cause injury or accidents.
- **Do not rub the edges of metal parts with your hand.** Failure to observe this may cause injury.

When using this product, also read the "Precautions" described in the operating instructions for the camera to be attached.

## Preface

Use this product when performing outdoor wiring of a box type camera for outdoor or a wall mount bracket such as using a conduit.  
 For the latest information about the supported cameras, refer to our support website ([https://i-pro.com/global/en/surveillance/training\\_support/support/technical\\_information](https://i-pro.com/global/en/surveillance/training_support/support/technical_information) <Control No.: C0501, C0502>).

## Specifications

Ambient operating temperature:	-50 °C to +60 °C (-58 °F to +140 °F)		
Dimensions:	115 mm (W) × 115 mm (H) × 40 mm (D)	[4-17/32 inches (W) × 4-17/32 inches (H) × 1-11/16 inches (D)]	
Mass:	Approx. 430 g (0.95 lbs)		
Finish:	Base bracket:	Aluminum die cast	WV-QJB500-W : i-PRO white WV-QJB500-S : Silver WV-QJB500-G : Light gray
	Attachment plate:	Stainless	

\* This product consists of an attachment plate and a base bracket and they are separately packaged.

## Precautions for installation

- **In order to prevent injury, the product must be securely mounted to a ceiling or wall according to the Installation Guide of this bracket.**
- **Make sure to remove this product if it will no longer be used.**

## Standard accessories

Operating Instructions (this document).....	1 pc.	Fixing screws for attachment plate.....	5 pcs.
Installed auxiliary wire* .....	1 pc.	(M4 × 10 mm [13/32 inches]) (of them, 1 for spare)	
Hexagon screw .....	5 pcs.	Screw for temporary fixing.....	2 pcs.
(M4 × 14 mm [9/16 inches]) (of them, 1 for spare)		(M3 × 3.5 mm [1/8 inches]) (of them, 1 for spare)	

\* An installed auxiliary wire is equipped with the attachment plate.

## Other items that are needed (not included)

Fixing screws (M4)..... 4 pcs.

### IMPORTANT

- Minimum pullout strength: 196 N [44 lbf] (per 1 pc.)
- This value indicates the minimum pull-out strength required value per screw. For information about the minimum pull-out strength, refer to our support website ([https://i-pro.com/global/en/surveillance/training\\_support/support/technical\\_information](https://i-pro.com/global/en/surveillance/training_support/support/technical_information) <Control No.: C0120>).
- Select screws according to the material of the location that the camera will be mounted to. In this case, wood screws and nails should not be used.

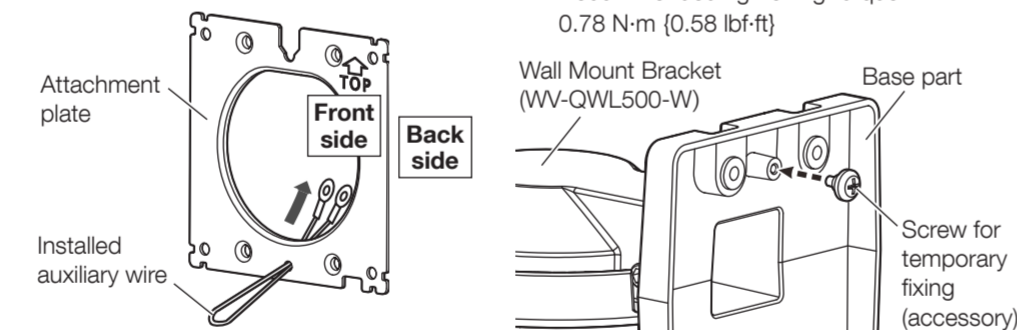
## Preparations

Remove the tape fixing installed auxiliary wire (accessory) on the attachment plate.

### When installing other bracket on this product

The following are descriptions of how to install WV-QWL500-W (Wall Mount Bracket) on this product as an example.

- [1] Remove the installed auxiliary wire (accessory) from the attachment plate.**
- [2] Attach the screw for temporary fixing (accessory) to the bracket to be installed on this product.** Recommended tightening torque: 0.78 N·m [0.58 lbf·ft]

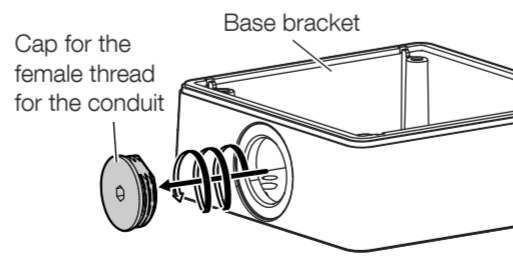


- [3] If necessary, install the attachment plate provided with the camera to WV-QWL500-W by following the instructions described in the Operating Instructions of WV-QWL500-W.**

### When using a conduit

- **Remove the cap for the female or thread for the conduit using a 5 mm hex wrench and attach the conduit.**

The female thread for conduit is compliant with ANSI NPSM (parallel pipe threads) 3/4 or ISO 228-1 (parallel pipe threads) G3/4.



## Installation

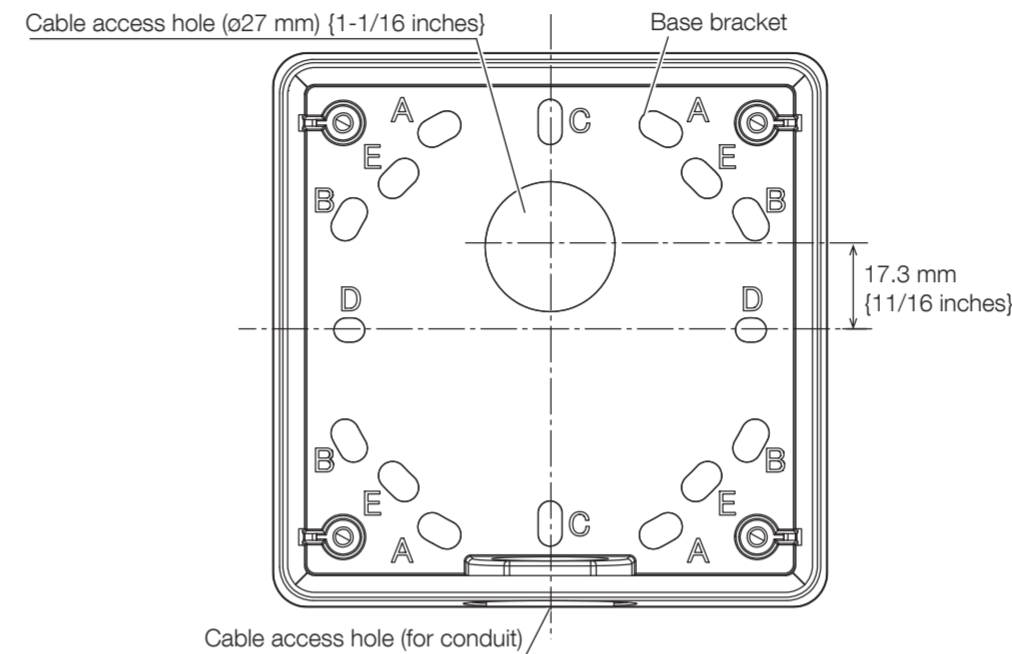
- Step 1 Process the installation surface.**  
**(Screw holes (4 places)/ Cable access hole (1 place))**

When directly installing this product, process the installation surface.

### Note:

- Determine the fixing screw hole diameter and depth in accordance with the specifications of the screws or anchors (x4) (M4: locally procured).
- When wiring using a conduit, it is unnecessary to process the cable access hole on the installation surface. Make a fixing screw hole so that the cable access hole (for conduit) of the base bracket is arranged in the direction of the conduit.

Depending on the condition of the ceiling or the wall surface, the following five patterns of screw positions are available for fixation of the base bracket. Use only the holes of the same pattern (A - E) for mounting.



	Vertical	Horizontal
A	83.5 mm [3-9/32 inches] (82.5 mm [3-1/4 inches])	46 mm [1-13/16 inches] (47.6 mm [1-7/8 inches])
B	46 mm [1-13/16 inches] (47.6 mm [1-7/8 inches])	83.5 mm [3-9/32 inches] (82.5 mm [3-1/4 inches])
C	83.5 mm [3-9/32 inches] (83.3 mm [3-9/32 inches])	-
D	-	83.5 mm [3-9/32 inches] (83.3 mm [3-9/32 inches])
E	63 mm [2-15/32 inches]	63 mm [2-15/32 inches]

\* When mounting to a single-gang junction box, fix with two fixing screws (M4: locally procured) using the holes of either pattern C or D.

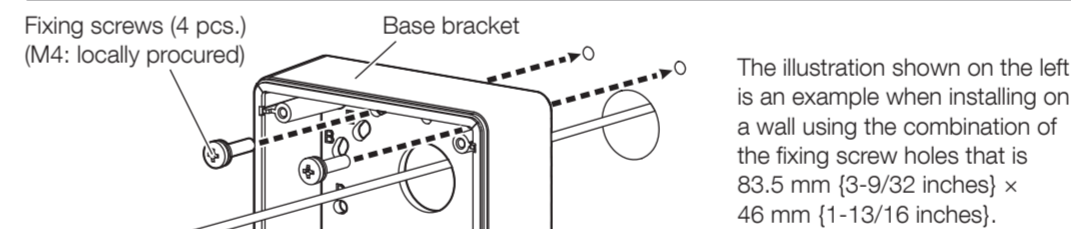
- Step 2 Fix the base bracket on the installation surface or on a junction box.**

Pass the cables through the base bracket and then fix the base bracket on the installation surface or on a junction box (locally procured) with fixing screws (M4: locally procured).

### When installing the base bracket on the installation surface

### Note:

- When installing this product outdoors, be sure to apply waterproofing to the cable access hole and the holes for fixing screw.

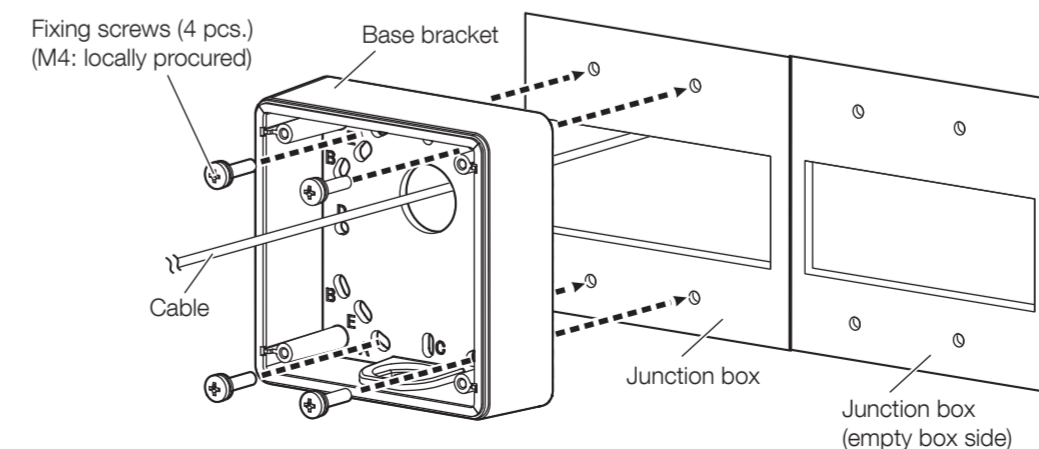


### When mounting the base bracket to a junction box

Select the holes on the base bracket so that they match with the screw holes of the junction box.

### Note:

- When using two-gang junction box, it is recommended that the boxes are arranged side by side as shown in the illustration below. (The cable connection work on the empty box side will become easier.)

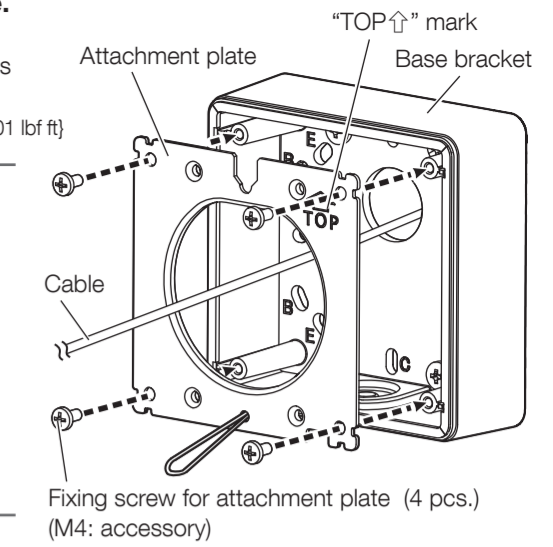


- Step 3 Fix the attachment plate.**

Fix the attachment plate with four fixing screws for attachment plate (M4: accessory).  
 Recommended tightening torque: 1.37 N·m (1.01 lbf·ft)

### Note:

- When wiring using a conduit, complete the connection work on the base bracket side before fixing the attachment plate.
- When installing this product on a wall, fix the attachment plate with the "TOP" mark facing upward.
- When installing this product on a ceiling, fix the attachment plate so that the "TOP" mark is faced the direction where the camera is aiming at.

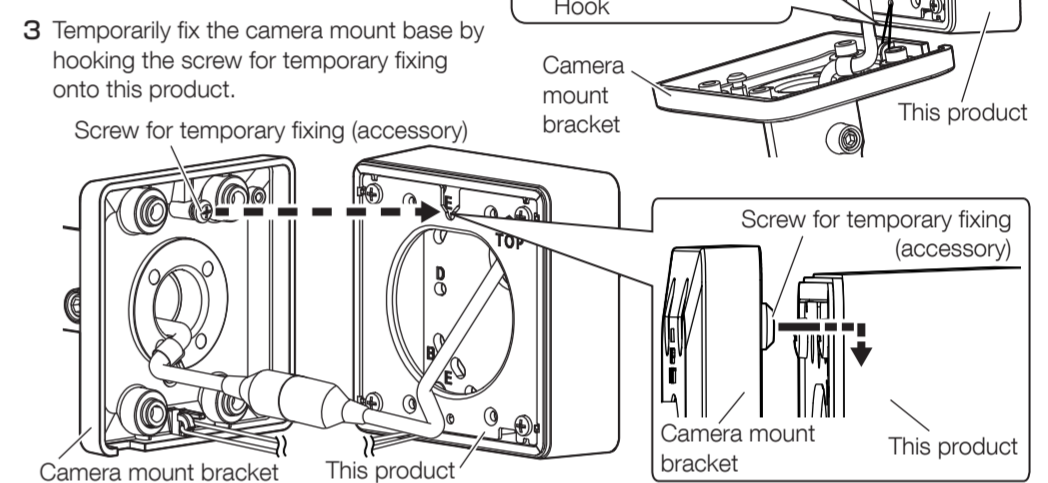


- Step 4 Install a camera or other bracket on this product.**

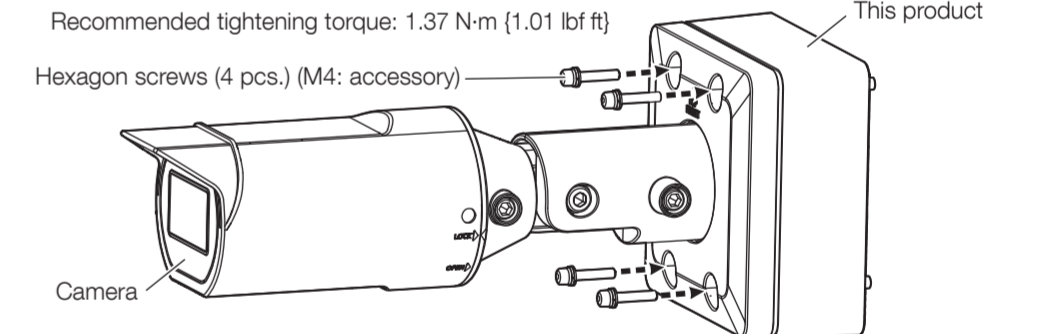
### When installing a camera

The following are descriptions of how to install WV-U1542L (outdoor box type) on a wall using this product as an example. The installation procedure is the same for other cameras.

- Hang the camera by hooking the installed auxiliary wire on this product on the hook on the rear of the camera mount base as shown in the illustration on the right.
- Connect the cables by following the instructions in the Installation Guide of the camera.
- Temporarily fix the camera mount base by hooking the screw for temporary fixing onto this product.



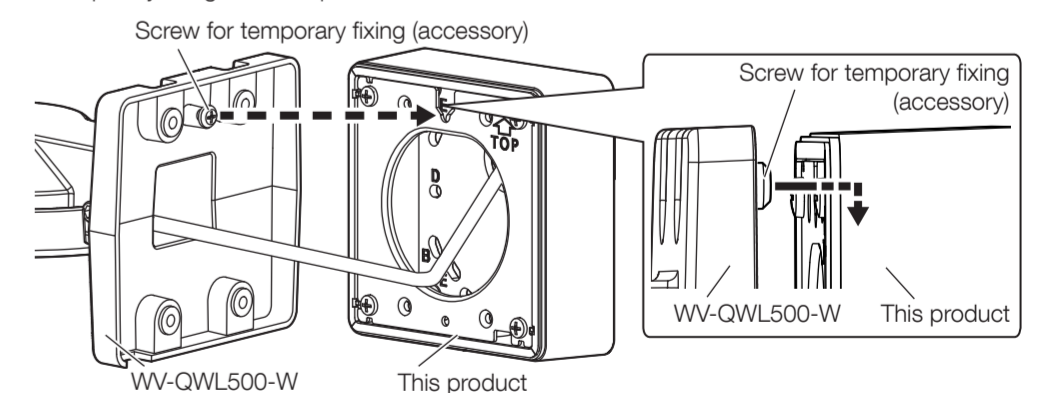
- Fix the camera on this product with four hexagon screws (M4: accessory) using a 3 mm hex wrench (locally procured).



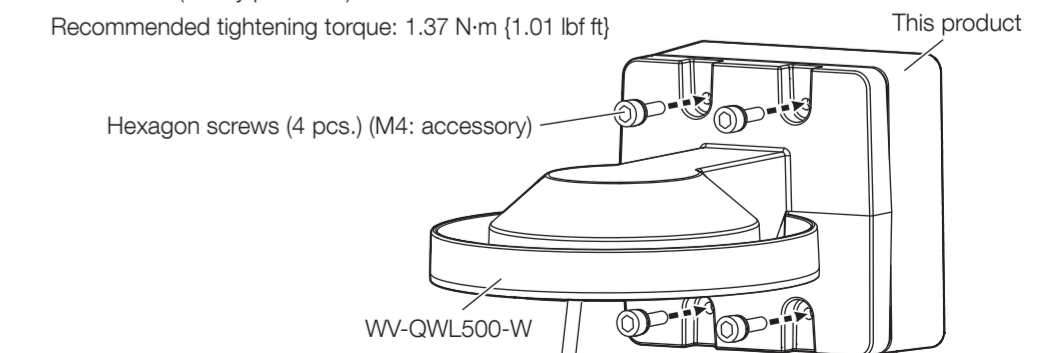
### When mounting other bracket

The following are descriptions of how to install WV-QWL500-W (Wall Mount Bracket) on this product as an example.

- Pass the cable through WV-QWL500-W and temporarily fix by hooking the screw for temporary fixing onto this product.



- Fix WV-QWL500-W on this product with four hexagon screws (M4: accessory) using a 3 mm hex wrench (locally procured).



- Install the camera by following the Operating Instructions of WV-QWL500-W.